

**30" COUNTER DEPTH FRENCH DOOR REFRIGERATOR****BRFD21612SS****GENERAL**

Type	Freestanding
Style	Counter-Depth French Door
Finish	Fingerprint-Free Stainless Steel with Finished Gray Sides
Metal Back Wall	Yes
Cooling System	Duo Cycle Frost Free Cooling
Control System	Electronic Controls
Control Display Type & Location	Digital LED Display, Interior
Connectivity	—

CAPACITY

Total Net Volume	16.13 cu. Ft.
Fresh Food Net Volume	10.86 cu. ft.
Freezer Net Volume	5.27 cu. Ft.

PERFORMANCE

Fresh Food Temperature Range*	33° F to 46° F
Freezer Temperature Range*	-7°F to 5°F
Environment Temperature Range	Operates in Temperatures Between 32° F and 110° F
Freeze Guard	Yes, Freezer Operates in Temperatures as Low as 5°F
Modes	On/Off Power, Temperature Control, Water Filter Reset, Quick Freeze, Vacation, Sabbath
Compressor	Variable Speed VCC
ENERGY STAR® Certified	Yes
Annual Energy Consumption	525 kwh/year

FRESH FOOD FEATURES

Crispers	2 – Humidity Controlled
Full-Width Deli Drawer	Yes
Shelves	4 – Full-Depth, Safety Glass (4 Adjustable)
Total Number of Door Bins	3 – Full-Depth, Safety Glass (2 Adjustable)
Gallon-Sized Door Bins	2
Dairy Compartment	Yes
Odor Control Technology	—
Sabbath Mode	Yes
Door Open Alarm	Yes
Interior Illumination	LED – Side Walls and Ceiling

* Actual temperatures may vary with environment and other factors

**30" COUNTER DEPTH FRENCH DOOR REFRIGERATOR**

BRFD21612SS

FREEZER FEATURES

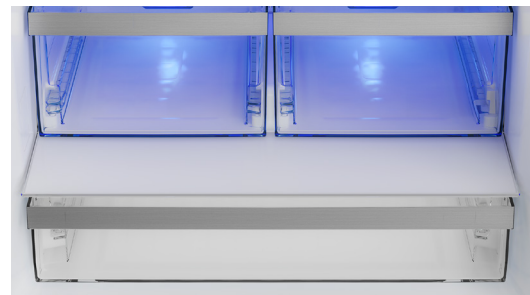
Freezer Configuration	Drawer
Freezer Drawers / Baskets / Bins	1 Drawer, 1 Deep Bin with Removable Tray
Freezer Interior Illumination	Yes
Automatic Ice Maker	—
Auto Defrost	Yes

TECHNICAL INFORMATION

Volts / Frequency	120 V / 60 Hz
Rated Current (A)	2 A
Min. Circuit Breaker Size	15 Amp
Sound Level	39 dBA
Refrigerant Type	R600a
Plug Type	NEMA 3-Prong
Power Cord Length	6 ft.

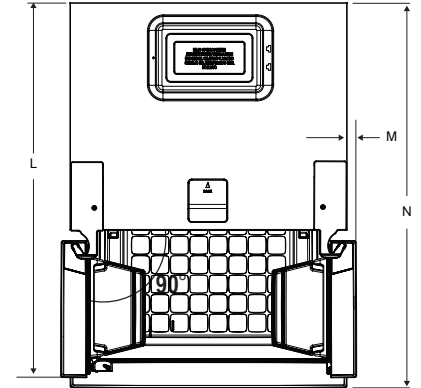
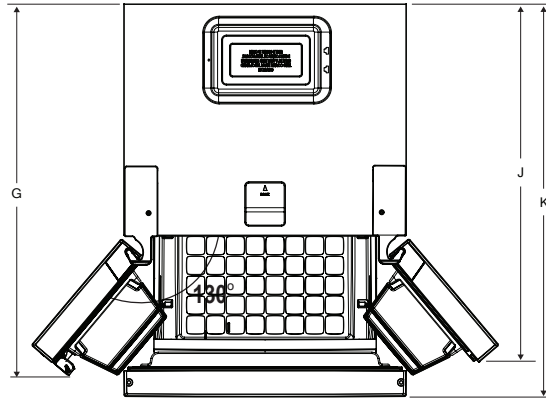
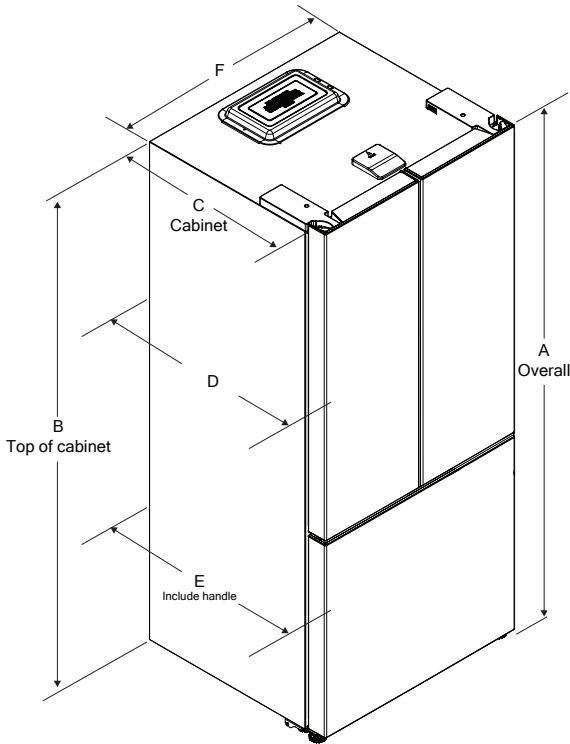
DIMENSIONS & WEIGHTS

Product (H x W x D) (in)	69 ¹¹ / ₁₆ x 29 ³ / ₄ x 27 ⁹ / ₁₆
Height With Hinge Cap	69 ¹¹ / ₁₆
Height Without Hinge Cap	68 ¹ / ₂
Depth With Handles	27 ⁹ / ₁₆
Depth Without Handles	27 ⁹ / ₁₆
Depth Without Doors	24 ⁷ / ₃₂
Carton (H x W x D) (in)	73 x 32 x 30 ¹ / ₂
Product Weight (lbs)	208
Shipping Weight (lbs)	233



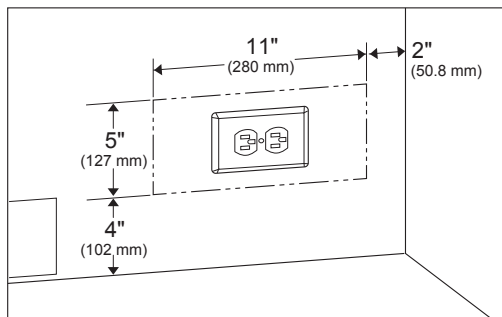
**30" COUNTER DEPTH FRENCH DOOR REFRIGERATOR**

BRFD21612SS

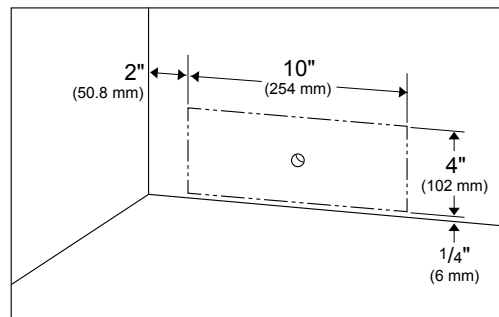
Dimensions and Installation

Height - Overall "A"	Height - Top Of Cabinet "B"	Depth - Cabinet Only "C"	Depth - Without Handles "D"
69 11/16" (1770mm)	68 1/2" (1740mm)	24 7/32" (620mm)	27 9/16" (700mm)
Depth - With Handles "E"	Width - Cabinet "F"	Depth - Door Open 130° to Mullion "G"	Width - Doors Open 130°- From Cabinet To Handle "H"
27 9/16" (700mm)	29 3/4" (756mm)	39 7/64" (993.5mm)	9 41/64" (245mm)
Width - Doors Open 130° From Handle To Handle "I"	Depth - Doors Open 130° From Cabinet To Door "J"	Depth - Doors Open 130° From Cabinet To Door rack "K"	Depth - Doors Open 90° "L"
49 3/32" (1247mm)	31 41/64" (965mm)	39 1/64" (991mm)	40 15/64" (1022mm)
Width - Doors Open 90° From Cabinet To Handle "M"	Depth - Doors Open 90° From Cabinet To Handle "N"		
63/64" (25mm)	41 37/64" (1056mm)		

Electrical Location



Water Location (Models with Ice Maker)



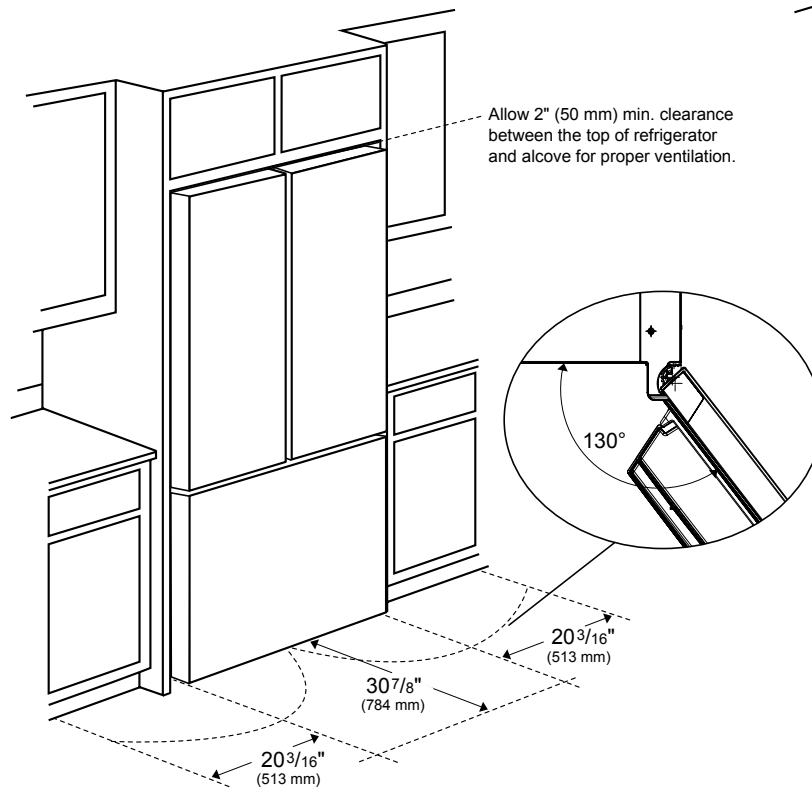
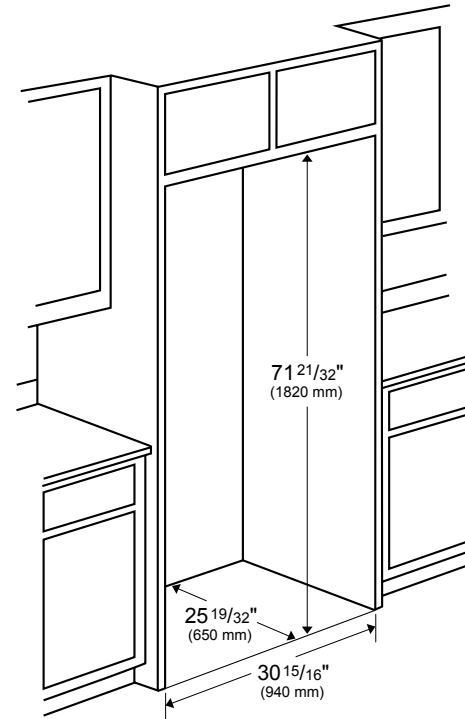
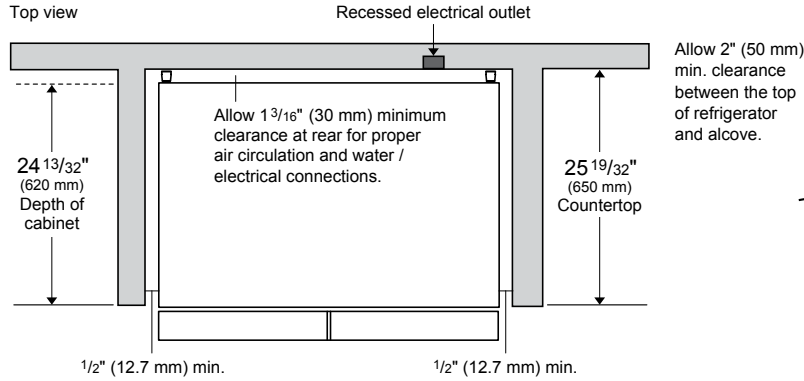
NOTE TO THE INSTALLER: All height, width and depth dimensions are shown in inches (as well as metric). Beko US Inc. reserves the absolute and unrestricted right to change product materials and specifications, at any time, without notice. Please visit our website www.blombergappliances.com or call 888-352-2356 to verify the latest specifications with final dimensional data and other details prior to installation and making a cutout. Applicable product limited warranty information may be found in accompanying product materials or you may contact your account manager for further details. Proper installation is the responsibility of the installer. Product failure due to improper installation is not covered under the Limited Warranty.



30" COUNTER DEPTH FRENCH DOOR REFRIGERATOR

BRFD21612SS

Dimensions and Installation



NOTE TO THE INSTALLER: All height, width and depth dimensions are shown in inches (as well as metric). Beko US Inc. reserves the absolute and unrestricted right to change product materials and specifications, at any time, without notice. Please visit our website www.blombergappliances.com or call 888-352-2356 to verify the latest specifications with final dimensional data and other details prior to installation and making a cutout. Applicable product limited warranty information may be found in accompanying product materials or you may contact your account manager for further details. Proper installation is the responsibility of the installer. Product failure due to improper installation is not covered under the Limited Warranty.