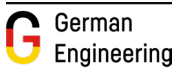


C7620

Freestanding / Semi Built-in

LIEBHERR

Refrigeration and Freezing



home.liebherr.com

C7620	
Energy consumption (kWh / y)	305
Estimated Yearly Energy Cost in US \$	43
Sound rating dB(A)	36
Total capacity cu.ft. (l)	15 (425)
Refrigerator capacity cu.ft. (l)	10 (287)
Freezer capacity cu. ft. (l)	4.9 (138)
Electronic control	Touch display
Defrost type	Automatic
Interior light	Ceiling LED
Number of shelves	4
Number of door racks	2 + VarioBox
Number of EasyFresh drawers	1
Number of freezer drawers	3
Refrigerator Temperature range °F (°C)	34 to 46°F (2 to 9°C)
Freezer temperature range °F (°C)	5 to -15°F (-15 to -26°C)
Internal Water Dispenser	No
Water filter	No
IceMaker	EasyTwist-Ice
Ice cube output lbs. (kg)/24h	20 ice cubes per batch
Ice cube stock lbs. (kg)	40 ice cubes
Door hinges	Right, reversible
Product dimensions	
in inch (H / W / D)	73 1/6 / 29 7/16 / 26 5/8
in cm (H / W / D)	185.5 / 74.5 / 67.5
Cut out dimensions	
in inch (H / W / D)	74 / 30 / 24
in cm (H / W / D)	188 / 76.2 / 60.9
Net weight lbs. (kg)	198.4 (90)
Voltage V / Hz	115/60

* Energy Cost will depend on utility rates and use. Estimated energy cost based on a national average electricity cost of 14 cents per KWh.

** Noise output – according to EN 60704-3



Accessories

FreshAir activated carbon filter

9882460

Features

Duo Cooling

DuoCooling independent refrigeration systems provide precise temperature control and superior performance, efficiency and food preservation.

Easy Fresh

The guarantee of market freshness in your home. Whether it's unpackaged vegetables or fruit, Easy Fresh ensures that your food is preserved for a longer period of time.

Power Cooling

The fan – as powerful as it is quiet – distributes the cold air efficiently throughout the entire refrigeration compartment.

LED

The energy efficient LED ceiling light not only emits virtually no heat for the optimal storage of wines, but is dimmable for a pleasant ambient light within the cabinet, as well as a cool glow for the room.

Super Silent

Noise levels are kept to a minimum thanks to virtually silent, speed-controlled, and sound absorbing compressors.

Smart Steel

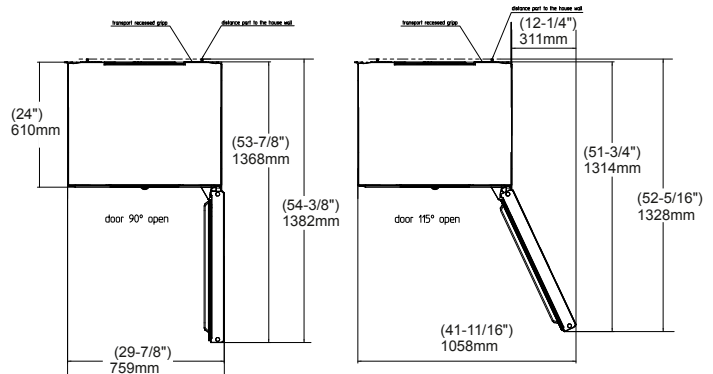
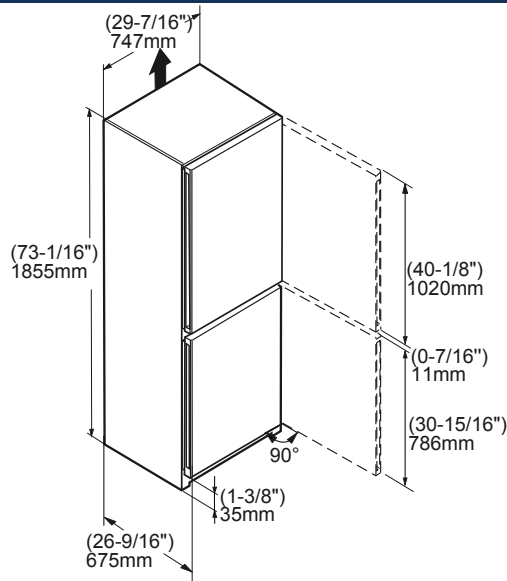
SmartSteel finish significantly reduces the visibility of fingerprints, is easy to clean, and is scratch resistant.

Smart Device Box

Want to be prepared for the future of the Smart Home? The SmartDeviceBox can be installed in just a few steps and will open up the whole world of digital possibilities to you today.

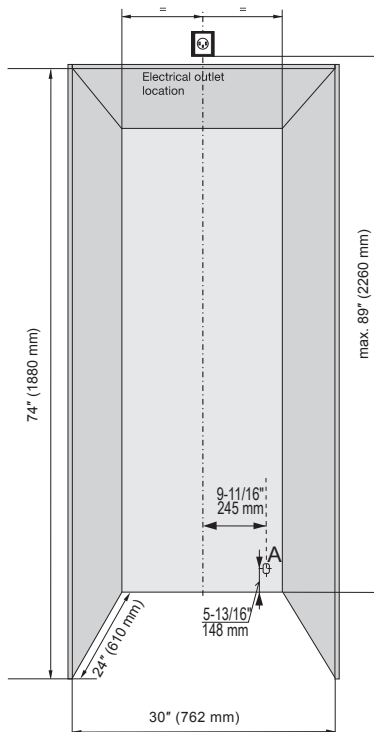
Diagrams

Product Dimensions



Allow door swing clearance at locations next to a wall. If the appliance is installed with the hinges next to a wall (4), the distance between the appliance and the wall must be at least $\frac{1}{2}$ " (13 mm.) The refrigerator door must open to a minimum of 90° to allow the crispers to open and the shelves to be removed. There is no 90° door limiter available for this model. Height can be increased by $\frac{3}{8}$ " (10mm) by turning the levelling feet at the front and the height adjustable rollers at the appliance rear.

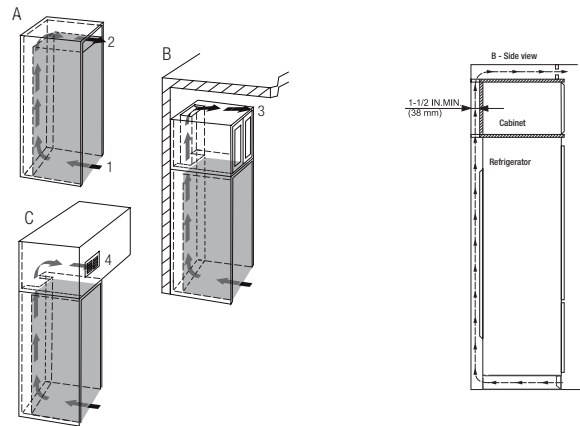
Semi built-in look – Cutout Dimensions



The appliances can be used freestanding or semi built-in. If semi built-in, consider the minimum cabinet opening dimensions specified on this image.

The power cord exists the rear of the appliances (A) right side and has a length of 6.5 ft (2m). We suggest the electrical outlet not to be located behind the appliance, so it is easily accessible. This can be located on top of the niche like shown on the image.

Ventilation Requirements



If the appliance is integrated in a fitted kitchen, the following ventilation requirements must be met: - The spacing fins on the back of the appliance are used to ensure sufficient ventilation. These must not lie in cavities or recesses in their final installation position. - Basically, the larger the ventilation gap, the more energy the appliance saves during operation. Do not restrict the air flow.

A cross-sectional air flow of at least 31 in² (200cm²) per appliance at the airflow inlet (1) and at the airflow outlet (2).

The top ventilation space can be directed in one of the following ways:

- A. Directly over the appliance (2) with a gap between the ceiling of the unit and the cabinet
- B. Above the cabinet and below the ceiling (3).
- C. Through a vent installed in a soffit (4).

Be sure to consider the possibility of having to raise some of the leveling legs in order to level the appliance when installing. If you adjust the height of the appliance – it will effectively reduce air flow. Therefore leave yourself some room for adjustment. The appliance is designed to allow proper air flow when installed up against the wall.