



C A F É

DISTINCT BY DESIGN

Owner's Manual





DISTINCT BY DESIGN™

Owner's Manual and Installation Instructions

Undercounter Dual-Drawer Refrigerator

CDE06RP****

Contents

| | | | |
|-------------------------------------|---|---|----|
| Safety Information | 3 | Installation Instructions | |
| Using the Refrigerator | | Location Requirements | 10 |
| Features | 6 | Dimensions | 11 |
| Controls | 7 | Prepare Dual-Drawer Refrigerator for Installation | 11 |
| Crisper | 8 | Installing the Refrigerator | 12 |
| Adjustable Divider | 8 | Complete Installation | 13 |
| Lights | 8 | Reinstalling and Reuse | 13 |
| Care And Cleaning | 9 | Troubleshooting Tips | 14 |
| Vacation and Moving | 9 | Limited Warranty | 15 |
| | | Consumer Support | 16 |

Write the model and serial numbers here:

Model # _____

Serial # _____

Find these numbers on a label on the outer, left-hand side of the upper drawer.

ENGLISH/FRANÇAIS/ESPAÑOL

THANK YOU FOR MAKING CAFÉ A PART OF YOUR HOME.

We take pride in the craftsmanship, innovation and design that goes into every Café product, and we think you will too. Among other things, registration of your appliance ensures that we can deliver important product information and warranty details when you need them.

Register your Café appliance now online. Helpful websites are available in the Consumer Support section of this Owner's Manual. You may also mail in the pre-printed registration card included in the packing material.

C A F É

DISTINCT BY DESIGN™

IMPORTANT SAFETY INFORMATION

READ ALL INSTRUCTIONS BEFORE USING THE APPLIANCE

⚠ WARNING To reduce the risk of fire, explosion, electric shock, or injury when using your refrigerator, follow these basic safety precautions:

- This refrigerator must be properly installed and located in accordance with the Installation Instructions before it is used.
- Unplug the refrigerator before making repairs, replacing a light bulb, or cleaning.
NOTE: Power to the refrigerator cannot be disconnected by any setting on the control panel.
NOTE: Repairs must be performed by a qualified Service Professional.
- Replace all parts and panels before operating.
- Do not use an extension cord.
- Keep flammable materials and vapors away from the refrigerator.
- Do not store explosive substances such as aerosol cans with a flammable propellant in this appliance.
- To prevent suffocation and entrapment hazards to children, remove the doors from any refrigerator before disposing of it or discontinuing its use.
- To avoid serious injury or death, children should not stand on, or play in or with the appliance.
- Children and persons with reduced physical, sensory or mental capabilities or lack of experience and knowledge can use this appliance only if they are supervised or have been given instructions on safe use and understand the hazards involved.
- This appliance is intended to be used in household and similar applications such as: staff kitchen areas in shops, offices and other working environments; farm houses; by clients in hotels, motels, bed & breakfast and other residential environments; catering and similar non-retail applications.
- Do not apply harsh cleaners to the refrigerator. Certain cleaners will damage plastic which may cause parts such as the door or door handles to detach unexpectedly. See the Care and Cleaning section for detailed instructions.

⚠ CAUTION To reduce the risk of injury when using your refrigerator, follow these basic safety precautions.

- Keep fingers out of the “pinch point” areas; clearances between the doors and between the doors and cabinet are necessarily small. Be careful closing doors when children are in the area.

⚠ WARNING **TIP OVER HAZARD**



These appliances are top heavy, especially with any doors open, and must be secured to prevent tipping forward which could result in death or serious injury. Read and follow the entire installation instructions for securing the appliance with the anti-tip system.

⚠ WARNING  **Fire or Explosion Hazard**

Keep flammable materials and vapors away from appliance. Failure to do so can result in fire, explosion, or death.

⚠ WARNING To reduce the risk associated with choking, do not allow children under 3 years of age to have access to small parts during the installation of this product.

⚠ WARNING **EXCESS WEIGHT HAZARD**

Use two or more people to move and install dual-drawer refrigerator. Failure to do so can result in back or other injury.

READ AND SAVE THESE INSTRUCTIONS

IMPORTANT SAFETY INFORMATION

READ ALL INSTRUCTIONS BEFORE USING THE APPLIANCE

▲ WARNING CUT HAZARD

Cabinet edges along stamp/cut-out areas may be sharp. Avoid placing hands, fingers or other appendages near these areas.

Failure to do so can result in cuts.

CONNECTING ELECTRICITY

▲ WARNING ELECTRICAL SHOCK HAZARD

Plug into a grounded 3-prong outlet

Do not remove the ground prong

Do not use an adapter

Do not use an extension cord.

Failure to follow these instructions can result in death, fire, or electrical shock.

Do not, under any circumstances, cut or remove the third (ground) prong from the power cord. For personal safety, this appliance must be properly grounded.

The power cord of this appliance is equipped with a 3-prong (grounding) plug which mates with a standard 3-prong (grounding) wall outlet to minimize the possibility of electric shock hazard from this appliance.

Have the wall outlet and circuit checked by a qualified electrician to make sure the outlet is properly grounded.

Where a standard 2-prong wall outlet is encountered, it is your personal responsibility and obligation to have it replaced with a properly grounded 3-prong wall outlet. Do not use an adapter.

The refrigerator should always be plugged into its own individual electrical outlet which has a voltage rating that matches the rating plate.

A 115 Volt AC, 60 Hz, 15- or 20-amp fused, grounded electrical supply is required. This provides the best performance and also prevents overloading house wiring circuits which could cause a fire hazard from overheated wires.

Never unplug your refrigerator by pulling on the power cord. Always grip plug firmly and pull straight out from the outlet.

Immediately discontinue use of a damaged supply cord. If the supply cord is damaged, it must be replaced by a qualified service professional with an authorized service part from the manufacturer.

When moving the refrigerator away from the wall, be careful not to roll over or damage the power cord.

PROPER DISPOSAL OF YOUR OLD REFRIGERATOR

▲ WARNING SUFFOCATION AND ENTRAPMENT HAZARD

Failure to follow these disposal instructions can result in death or serious injury

IMPORTANT: Child entrapment and suffocation are not problems of the past. Junked or abandoned refrigerators are still dangerous even if they will sit for “just a few days.” If you are getting rid of your old refrigerator, please follow the instructions below to help prevent accidents.

Before You Throw Away Your Old Appliance

- Take off the doors.
- Leave the drawers in place so that children may not easily climb inside.

Refrigerant and Foam Disposal:

Dispose of appliance in accordance with Federal and Local Regulations. Flammable refrigerant and insulation material used requires special disposal procedures. Contact your local authorities for the environmentally safe disposal of your appliance.

READ AND SAVE THESE INSTRUCTIONS

IMPORTANT SAFETY INFORMATION

READ ALL INSTRUCTIONS BEFORE USING THE APPLIANCE

⚠️ WARNING  **FIRE OR EXPLOSION HAZARD Flammable Refrigerant**

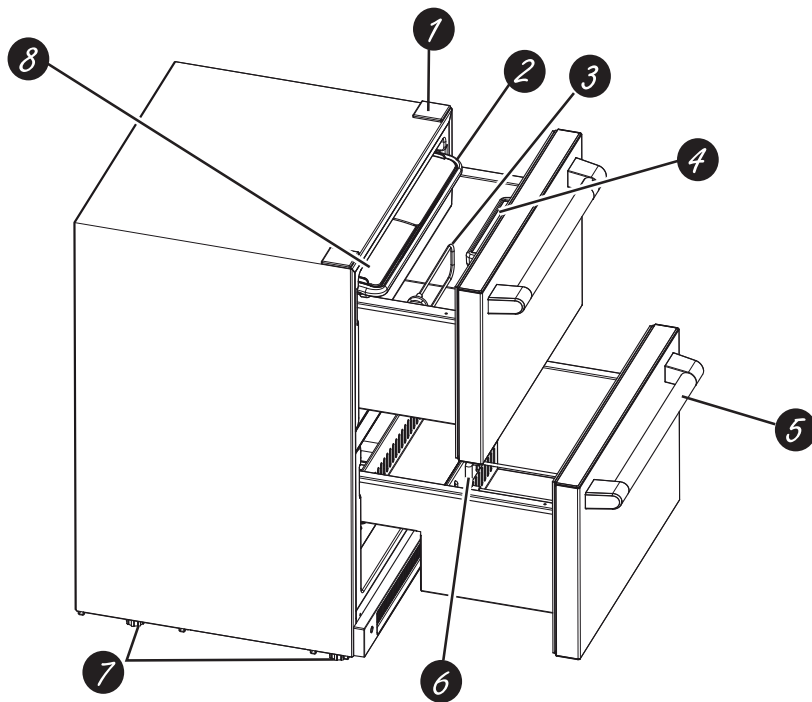
This appliance contains isobutane refrigerant, also known as R600a, a natural gas with high environmental compatibility. However, it is also combustible. Adhere to the warnings below to reduce the risk of injury or property damage.

1. When handling, installing and operating the appliance, care should be taken to avoid damage to the refrigerant tubing.
2. Service shall only be performed by authorized service personnel. Use only manufacturer-authorized service parts.
3. Dispose of refrigerator in accordance with Federal and Local Regulations. Flammable refrigerant and insulation material used require special disposal procedures. Contact your local authorities for the environmentally safe disposal of your refrigerator.
4. Keep ventilation openings in the appliance enclosures or in the built-in structure clear of obstruction.
5. To remove frost, scrape with a plastic or wood spatula or scraper. Do not use an ice pick, metal, or sharp-edged instrument as it may puncture the freezer liner and then the flammable refrigerant tubing behind it.
6. Do not use electrical appliances inside the food storage compartment of the appliance.
7. Do not use any electrical device in defrosting your freezer.

READ AND SAVE THESE INSTRUCTIONS

Using the Refrigerator

FEATURES

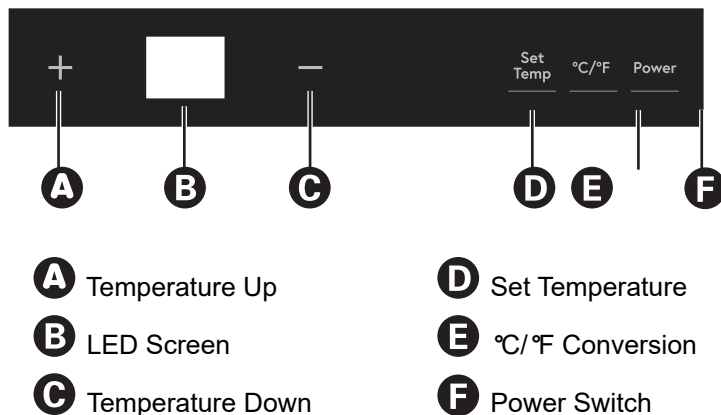


- 1 Hole Cover
- 2 Crisper
- 3 Upper Drawer Divider
- 4 Control Panel
- 5 Handle
- 6 Lower Drawer Divider
- 7 Leveling Legs
- 8 Accessory Package (Anti-tip brackets and screws)

The dual-drawer refrigerator is designed to hold up to 88.2 lbs (40 kg) total or 44.1 lbs (20 kg) per drawer. The upper drawer will hold items that are up to 12" (30.5 cm) in height. The lower drawer is divided by a step. Items with a height greater than 12" (30.5 cm) can be stored in the section without the step.

Using the Refrigerator

CONTROLS



Temperature Setting

The temperature range of the dual-drawer refrigerator is 34°F to 45°F (1.1°C to 7.2°C).

If you want to change temperature, press **Set Temp** for 3 seconds. The control will beep, and the temperature will flash in control panel. Adjust the temperature using the + and - buttons. When the desired temperature appears in the display, press **Set Temp** to confirm. The control will beep, and the temperature will no longer flash.

°C and °F Conversion

Press and hold **°C/°F** for 3 seconds. The Temperature display will change from degrees Fahrenheit to degrees Celsius. The control will beep once.

Press and hold **°C/°F** for 3 seconds. The Temperature display will change from degrees Celsius to degrees Fahrenheit. The control will beep once.

Turn On/Off Cooling

- Press and hold **Power** for 3 seconds to turn off cooling. This does not disconnect power to the dual-drawer refrigerator.

To turn off the dual-drawer for an extended period of time:

- Turn off dual drawer, and unplug from outlet.
- Remove food, and clean dual-drawer.
- Leave drawers ajar to prevent odors.

Sabbath Mode

This feature is available for the observance of certain religious holidays. In Sabbath mode, the dual-drawer refrigerator continues to operate (compressor, magnetic valve, fan, heater strip), but all lights, including the display panel and the LEDs, will be off whether or not the door is open.

Press and hold the + and - buttons at the same time for 3 seconds. The control will beep once, and the display panel will flash 5 times and then stop, to indicate that the dual-drawer has entered Sabbath mode.

Press and hold the + and - buttons at the same time for 3 seconds to turn off the Sabbath Mode feature. The display panel flashes 5 times, to indicate the exit from Sabbath mode.

Door Ajar Alarm

If a drawer is ajar for more than 3 minutes, the control panel will beep. If you want to stop the alarm without closing the drawer, press **Set Temp**.

Using the Refrigerator

CRISPER

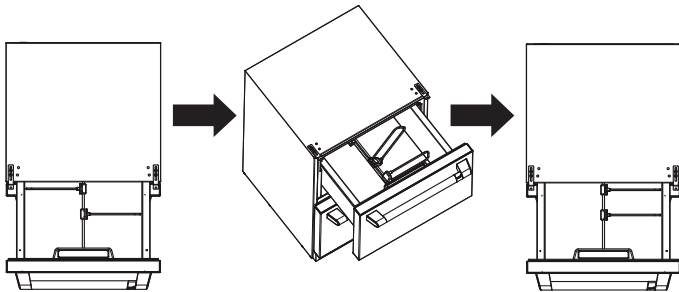
- The crisper is a convenient location to store fresh vegetables.
- A crisper with cover is located in the upper drawer.
- The crisper is removable when not in use.

ADJUSTABLE DIVIDER

There is a divider in each drawer. For flexibility in food storage, you can adjust or remove the dividers.

Adjust the Divider in the Upper Compartment:

The upper drawer is separated by dividers fastened to the bin cradle. The two dividers can be adjusted from either left to right, or back to front, as shown.



For ease in cleaning the drawer, you can remove the divider(s), See “Prepare Dual-Drawer Refrigerator.”

Adjust the divider in lower compartment:

For storage flexibility, the divider in the lower drawer can be inserted between any of the ridges in the front and back walls of the drawer.

LIGHTS

IMPORTANT: Your dual-drawer refrigerator is equipped with LED lighting. These lights are designed to last for the life of your dual-drawer refrigerator. However, if the lights stop operating, contact a qualified technician for replacement.

An LED is located at the top of both the upper and lower drawers. The LED lights are controlled by drawer openings and closings. When a drawer is open, the LED is on. When the drawer is closed the LED is off.

IMPORTANT: There are magnets attached to the interior, left-hand side of the upper drawer, and to the bottom of lower drawer door. Do not remove the magnets because they are required for proper functioning of the light system.

Care and Cleaning

CLEANING

⚠ WARNING Risk of fire or explosion. Flammable refrigerant used.

To remove frost, scrape with a plastic or wood spatula or scraper. Do not use an ice pick or a metal or sharp-edged instrument as it may puncture the freezer liner and then the flammable refrigerant tubing behind it.

Do not use any electrical device to defrost your freezer.

The dual-drawer refrigerator defrosts automatically. The water on back wall drains into the water tank and is evaporated by the condenser.

IMPORTANT: Do not use harsh chemicals, ammonia, chlorine bleach, concentrated detergent, solvents, abrasives or metal scouring pads to clean your product inside or out. They can damage and/or discolor the finish.

⚠ WARNING ELECTRICAL SHOCK HAZARD

Unplug your appliance or disconnect power before cleaning.

Failure to do so can result in death, electric shock or personal injury.

General

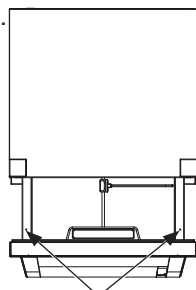
1. Unplug or disconnect power.
2. Wash interior surfaces, accessories, and outer frame with a solution of warm water mixed with 3 - 4 tablespoons of baking soda.

NOTE: Before using cleaning products, always read and follow manufacturer's instructions and warnings to avoid personal injury or product damage.

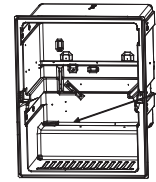
3. Rinse with clean, warm water.
4. Dry thoroughly with a soft cloth.
5. Plug in or reconnect power.
6. Clean the drain hole using a small, soft material such as a cotton swab. To access the drain hole, you must first remove the lower drawer.

To remove the lower drawer:

1. Slide out the lower drawer completely.
2. Using a screwdriver, remove the 2 screws fastening the lower drawer to the drawer glides.



3. Remove the lower drawer.
4. Clean the drain hole illustrated below with a soft material such as cotton swab, then install the lower drawer according to the reverse procedure as above.



Door Gaskets

Gaskets must be kept clean and pliable to ensure a proper seal.

- Clean door gaskets every 3 months with solution of baking soda and warm water.
- Petroleum jelly applied lightly to the hinge-side gasket will keep the gasket pliable and ensure a good seal.

VACATION AND MOVING

Vacation

If you will be away for an extended period of time and do not want to leave the appliance on while you are gone, prepare it for your absence.

1. Remove all items.
2. Press and hold POWER on the control panel for 3 seconds to turn off cooling.
3. Unplug or disconnect power.
4. Clean the interior. See "Cleaning."
5. Clean lid/door gaskets. See "Cleaning."
6. Prop drawers open, so air can circulate inside.

Moving

If you are moving your dual-drawer refrigerator to a new home, prepare the appliance for the move.

IMPORTANT:

- Handle with care when moving to avoid either damaging the refrigerant tubing or increasing the risk of a leak.
 - When moving the refrigerator, never tilt it more than a 45° angle. This could damage the compressor and the sealed system.
1. Complete vacation preparation steps 1 through 5. See "Vacation."
 2. Take out all removable parts, wrap them well, and tape them together so they don't shift and rattle during the move.
 3. Tape the drawers closed and tape the power cord to the back of the refrigerator.

Installation Instructions

Dual-Drawer Refrigerator

Questions? Visit our Website at: cafeappliances.com
 In Canada, visit cafeappliances.ca

BEFORE YOU BEGIN

Read these instructions completely and carefully.

- **IMPORTANT** — Observe all governing codes and ordinances. Save these instructions for local inspector's use.
- **Note to Installer** – Be sure to leave these instructions with the Consumer.
- **Note to Consumer** – Keep these instructions for future reference.
- **Skill level** – Installation of this appliance requires basic mechanical skills.
- **Completion time** – Refrigerator Installation can vary
- Proper installation is the responsibility of the installer.
- Product failure due to improper installation is not covered under the Warranty.

LOCATION REQUIREMENTS

IMPORTANT: This dual-drawer refrigerator is designed for built-in use only. Before use, this dual-drawer refrigerator must be installed properly.

NOTE: Allow the dual drawer to sit upright on its base for at least one hour before installation.

- Do not install the dual-drawer refrigerator where the temperature will go below 55°F (13°C) because it will not run often enough to maintain proper temperatures.
- Do not install the dual-drawer refrigerator where the temperature will go above 110°F (43°C) because it will not perform properly.
- Install it on a floor strong enough to support it fully loaded.
- Do not install the dual-drawer refrigerator in a location exposed to water (rain, etc.) or direct sunlight.

▲ WARNING EXCESS WEIGHT HAZARD

Use two or more people to move and install dual-drawer refrigerator.

Failure to do so can result in back or other injury.

▲ WARNING CUT HAZARD

Cabinet edges along stamp/cut-out areas may be sharp. Avoid placing hands, fingers or other appendages near these areas.

Failure to do so can result in cuts.

TOOLS NEEDED

- Phillips Screwdriver
- Measuring Tape
- Carpenter's Level

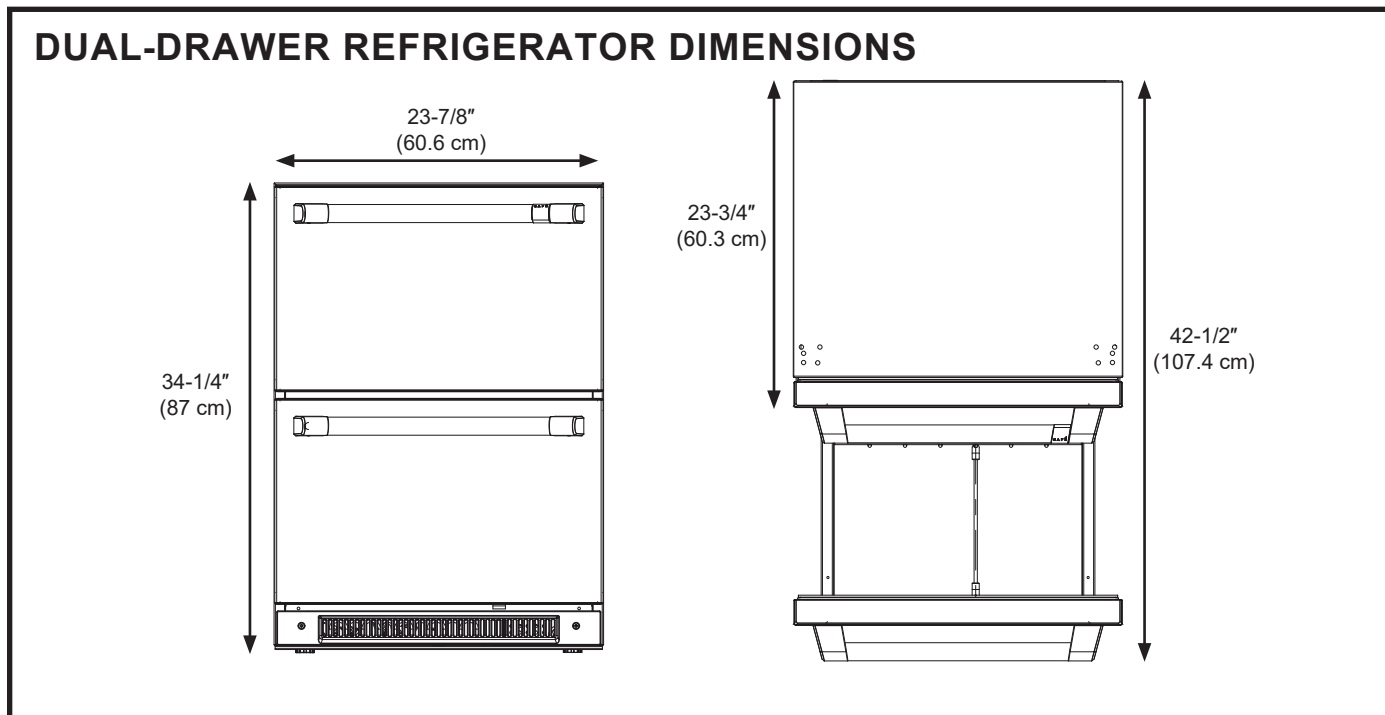
PARTS SUPPLIED

- Anti-tip Brackets
- Screws
- 1/8" Allen Wrench

IMPORTANT: Handle with care when moving dual-drawer refrigerator to avoid either damaging the refrigerant tubing or increasing the risk of a leak.

IMPORTANT: When moving the dual-drawer refrigerator, never tilt it more than a 45° angle. This could damage the compressor and the sealed system. If the dual-drawer refrigerator has been placed in a horizontal position for any period of time, wait one hour before plugging in the refrigerator to allow the refrigerant to settle.

Installation Instructions



REMOVE PACKAGING

NOTE: The drawer handles are included in the packaging which covers the top of the unit. A wrench for the handle installation is included in the accessory bag located in the upper drawer.

- Remove tape and glue residue from surfaces before turning on the dual-drawer refrigerator. Rub a small amount of liquid dish soap over the adhesive with your fingers. Wipe with warm water and dry.

NOTE: Do not use sharp instruments, rubbing alcohol, flammable fluids, or abrasive cleaners to remove tape or glue. These products can damage the surface of your dual-drawer refrigerator. For more information, see "Dual-Drawer Refrigerator Safety."

- Dispose of/recycle all packaging materials.

CLEAN BEFORE USING

After you remove all of the packaging materials, clean the inside of the dual-drawer refrigerator before using it. See the cleaning instructions in "Dual-Drawer Refrigerator Care."

PREPARE DUAL-DRAWER REFRIGERATOR FOR INSTALLATION

1. Pull open the upper drawer. Remove the crisper bins and set aside.
2. Using two hands, lift up on the metal drawer divider rod to remove it from the slots in the front and rear of the drawer.
3. Once the drawer divider rod is out of the slots, turn the rod so that it is at an angle to the front of the drawer. Lift the rod slowly out of the drawer to avoid bumping into the control panel, and then set aside the divider assembly.
4. Close the upper drawer to avoid damage during installation.

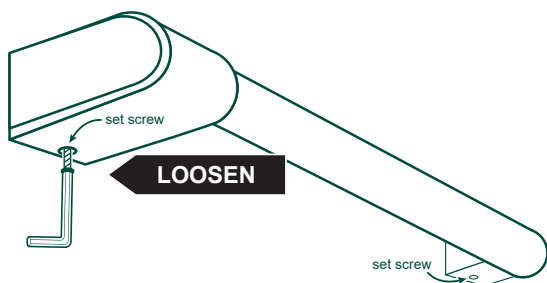
Installation Instructions

INSTALLING THE REFRIGERATOR

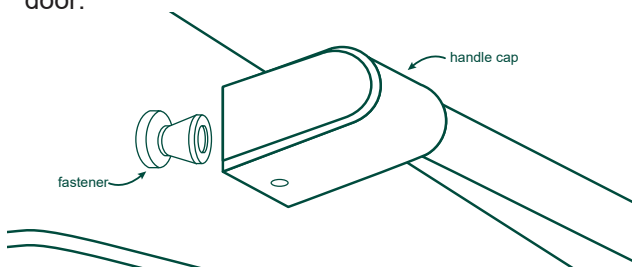
Remove all protective film from the drawer fronts before installing handles.

HANDLE INSTALLATION

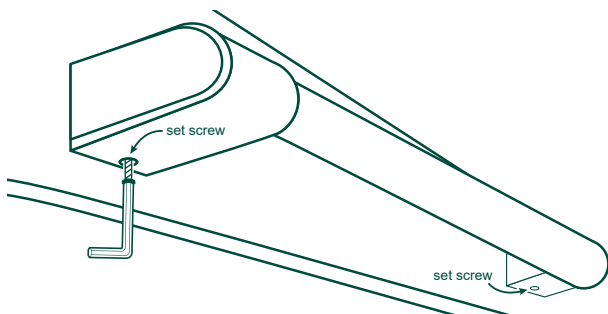
1. Remove the handle allen wrench from the accessory bag located in the upper drawer.
2. Remove the handles from the top piece of the packaging material. The handle with the badge goes on the upper drawer, and the handle without a badge goes on the lower drawer.
3. Loosen the set screw using the allen wrench.



Place the handle caps over the fasteners of the door. Take care to support the handle so it doesn't fall and scratch the appliance finish. Make sure both handle caps are resting on the face of the door.



4. Lock one end of the handle into position by tightening the set screw in the handle cap with the allen wrench provided. **DO NOT** over-tighten.



5. Keep supporting the handle as you lock the other end of the handle into position by tightening the set screw in the handle cap. **DO NOT** over-tighten.

Repeat these instructions for the second handle.

⚠ WARNING



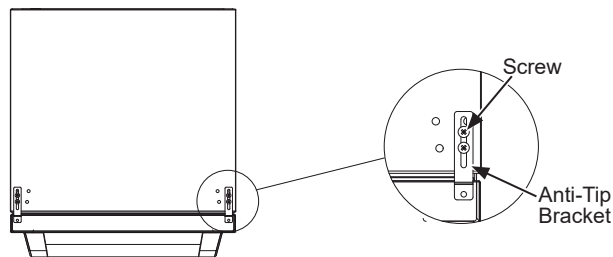
TIP OVER HAZARD

These appliances are top heavy, especially with any doors open, and must be secured to prevent tipping forward which could result in death or serious injury. Read and follow the entire installation instructions for securing the appliance with the anti-tip system.

METHOD 1 - INSTALL TO COUNTERTOP

Attach the Anti-Tip Brackets

1. Pry hole covers from the top of the refrigerator cabinet to reveal the holes used to install the anti-tip brackets.
2. Open the upper drawer and leave it open to install the anti-tip brackets.
3. Remove the anti-tip brackets and screws from the accessory bag.
4. With the screws provided, fasten the anti-tip brackets to both sides of the top of the cabinet.



Level the dual-drawer refrigerator

Adjustment of the leveling legs under the dual-drawer may be necessary for a proper fit in the cabinet opening.

1. Adjust the height of the rear of the dual-drawer by raising or lowering the rear leveling legs, and then begin to slide the dual-drawer into the under counter opening.
2. Adjust the front of the dual-drawer, by raising or lowering the leveling legs, until it fits under the countertop, with enough space to install the anti-tip bracket to the underside of the countertop.
3. Raise the front leveling legs until the anti-tip bracket is flush with the underside of the countertop.
4. Using a screw provided, install dual-drawer refrigerator to countertop.

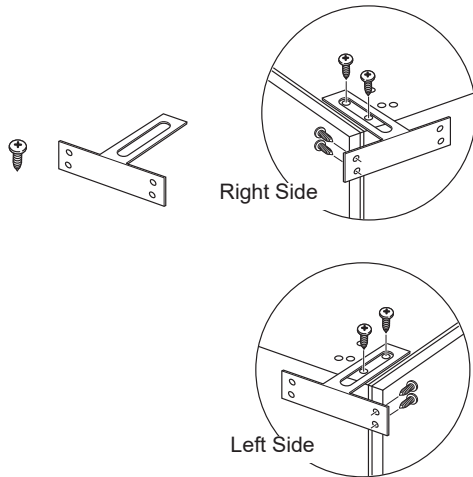
Installation Instructions

INSTALLING THE REFRIGERATOR (Cont.)

METHOD 2 - INSTALL TO ADJACENT CABINETS

Attach the Anti-Tip Brackets

1. Pry hole covers from the top of the refrigerator cabinet to reveal the holes used to install the anti-tip brackets.
2. Open the upper drawer and leave it open to install the anti-tip brackets.
3. Remove the anti-tip brackets and screws from the accessory bag.
4. With the screws provided, fasten an anti-tip bracket to each side of the top of the cabinet.



Level the dual-drawer refrigerator

Adjustment of the leveling legs under the dual-drawer refrigerator may be necessary for a proper fit in the cabinet opening.

1. Adjust the height of the rear of the dual-drawer by raising or lowering the rear leveling legs, and then begin to slide the dual-drawer into the under counter opening.
2. Adjust the front of the dual-drawer, by raising or lowering the leveling legs, until it fits under the countertop.
3. Install dual-drawer refrigerator to cabinets.

COMPLETE INSTALLATION

⚠ WARNING  **ELECTRICAL SHOCK HAZARD**

Plug into a grounded 3 prong outlet.

Do not remove the ground prong from the power cord plug.

Do not use an adapter.

Do not use an extension cord.

Failure to do so can result in death, fire or electrical shock.

- Plug into a grounded 3 prong outlet.

REINSTALLING/USING DUAL-DRAWER REFRIGERATOR AGAIN

IMPORTANT: If the dual-drawer refrigerator has been placed in a horizontal or tilted position for any period of time, wait one hour before plugging in the dual-drawer refrigerator to allow the refrigerant to settle.

1. Clean dual-drawer refrigerator. See Cleaning.
2. Place refrigerator in desired location and level. See Location Requirements.

⚠ WARNING  **ELECTRICAL SHOCK HAZARD**

Plug into a grounded 3 prong outlet.

Do not remove the ground prong from the power cord plug.

Do not use an adapter.

Do not use an extension cord.

Failure to do so can result in death, fire or electrical shock.

3. Plug into a grounded 3 prong outlet.

Troubleshooting Tips... Before you schedule service

Save time and money! Review the charts on the following pages first and you may not need to schedule service.

| Problem | Possible Causes | What to Do |
|---|---|---|
| Dual-drawer refrigerator does not run | Dual-drawer Refrigerator is unplugged. | Plug power cord into power source. |
| | Breaker is tripped or turned off/Fuse is blown. | Reset/Turn on breaker or replace fuse. |
| Dual-drawer refrigerator compressor runs frequently or for long periods of time | Normal when first plugged in | Allow 24 hours for the dual-drawer refrigerator to cool completely |
| | Warm or large amounts of food added | This is normal |
| | Door is left ajar | Ensure that door is not being held open by an item |
| | Hot weather or frequent openings | This is normal to maintain constant temperature during hot and humid days |
| Dual-drawer refrigerator has an odor | Gasket is not sealing properly | Clean the gasket |
| | Food is not sealed or packaged properly | Reseal packaging. Place an opened box of baking soda in the dual-drawer refrigerator, replace every 3 months |
| Dual-drawer refrigerator has an odor | Interior needs to be cleaned | Clean the interior. See "Cleaning." |
| | Food stored too long | Dispose of spoiled food. |
| Light does not come on | Dual-drawer refrigerator is unplugged. | Plug into power source. |
| | LED light is burned out. | Contact a qualified technician to replace the burned out LED. |
| Drawers do not close properly | Dual-drawer refrigerator is not level | See "Leveling." |
| | Something is obstructing door closure | Check for and remove obstructions eg. bottles, food, spills, etc. |
| Vibration or rattling | Dual-drawer refrigerator is not resting firmly on floor | See "Leveling." |
| Normal Sounds | It sounds like water is flowing from the dual-drawer refrigerator | Refrigerant flowing in the lines will make this sound when the compressor starts and stops. The dual-drawer refrigerator has an automatic defrosting system. The defrosted water will make this sound. |
| | Humming or buzzing sounds | The compressor and fans can make this sound. If the dual-drawer refrigerator is not level, the sound will be louder. |
| | Cracking or clicking sounds | The interior parts will make this sound as they contract and expand in response to temperature changes. |
| TEMPERATURE AND MOISTURE | | |
| Dual-drawer refrigerator is too warm | Temperature control is not set low enough | Adjust the temperature to a colder setting; allow 24 hours for the temperature to adjust |
| | Doors opened frequently or left open | Keep door closed / Check that a package is not preventing door from closing |
| | Warm food added recently | Allow time for food and dual-drawer refrigerator to cool |
| | Gasket is not sealing properly. | Clean the gasket |
| Dual-drawer refrigerator is too cold | Temperature control is set too low | Adjust temperature in the compartment to the next warmer setting; allow 24 hours to adjust |
| Moisture on exterior/ interior of the dual-drawer refrigerator | High humidity | This is normal. Dry surface and adjust temperature to slightly colder setting |
| | Doors opened frequently or left open | Keep door closed. Check that a package is not preventing door from closing |
| | Gasket is not sealing properly | Clean the gasket |

Café Refrigerator Limited Warranty

LIMITED WARRANTY

cafeappliances.com

All warranty service is provided by our Factory Service Centers, or an authorized service technician. To schedule service online, visit us at cafeappliances.com/service. Please have your serial number and your model number available when scheduling service. In Canada, visit cafeappliances.ca/service.

| For the Period of: | Café Will Replace |
|---|---|
| One Year From the date of the original purchase | Any part of the refrigerator which fails due to a defect in materials or workmanship. During the limited one-year warranty , Café will also provide, free of charge , all labor and related service to replace the defective part. |

What Café Will Not Cover:

- Service trips to your home to teach you how to use the product.
- Improper installation, delivery or maintenance.
- Failure of the product if it is abused, misused, or used for other than the intended purpose or used commercially.
- Loss of food due to spoilage.
- Replacement of house fuses or resetting of circuit breakers.
- Damage to finish, such as surface rust, tarnish, or small blemishes not reported within 48 hours of delivery.
- Replacement of the light bulbs, if included, or water filter cartridge, if included, other than as noted above.
- Damage to the product caused by accident, fire, floods or acts of God.
- Incidental or consequential damage caused by possible defects with this appliance.
- Product not accessible to provide required service.

EXCLUSION OF IMPLIED WARRANTIES
Your sole and exclusive remedy is product repair as provided in this Limited Warranty. Any implied warranties, including the implied warranties of merchantability or fitness for a particular purpose, are limited to one year or the shortest period allowed by law.

For US Customers: This limited warranty is extended to the original purchaser and any succeeding owner for products purchased for home use within the USA. If the product is located in an area where service by a Café Authorized Servicer is not available, you may be responsible for a trip charge or you may be required to bring the product to an Authorized **Café** Service location for service. In Alaska, the limited warranty excludes the cost of shipping or service calls to your home. Some states do not allow the exclusion or limitation of incidental or consequential damages. This limited warranty gives you specific legal rights, and you may also have other rights which vary from state to state. To know what your legal rights are, consult your local or state consumer affairs office or your state's Attorney General.

Warrantor: GE Appliances, a Haier company
Louisville, KY 40225

For Customers in Canada: This limited warranty is extended to the original purchaser and any succeeding owner for products purchased in Canada for home use within Canada. In-home warrant service will be provided in areas where it is available and deemed reasonable by Mabe to provide.

Warrantor Canada: MC Commercial, Inc., Burlington, Ontario, L7R 5B6

Staple your receipt here. Proof of the original purchase date is needed to obtain service under the warranty.

Consumer Support

Café Website

Have a question or need assistance with your appliance? Try the Café website 24 hours a day, any day of the year! You can also shop for more great Café products and take advantage of all our on-line support services designed for your convenience. In the US: cafeappliances.com

Register Your Appliance

Register your new appliance on-line at your convenience! Timely product registration will allow for enhanced communication and prompt service under the terms of your warranty, should the need arise. You may also mail in the pre-printed registration card included in the packing material. In the US: cafeappliances.com/register

Schedule Service

Expert Café repair service is only one step away from your door. Get on-line and schedule your service at your convenience any day of the year. In the US: cafeappliances.com/service

Extended Warranties

Purchase a Café extended warranty and learn about special discounts that are available while your warranty is still in effect. You can purchase it on-line anytime. Café Service will still be there after your warranty expires. In the US: cafeappliances.com/extended-warranty

Parts and Accessories

Individuals qualified to service their own appliances can have parts or accessories sent directly to their homes (VISA, MasterCard and Discover cards are accepted). Order on-line today 24 hours every day. In the US: cafeappliances.com/parts

Instructions contained in this manual cover procedures to be performed by any user. Other servicing generally should be referred to qualified service personnel. Caution must be exercised, since improper servicing may cause unsafe operation.

Contact Us

If you are not satisfied with the service you receive from Café, contact us on our website with all the details including your phone number, or write to:

In the US: General Manager, Customer Relations | Café Appliances, Appliance Park | Louisville, KY 40225
cafeappliances.com/contact

CAFÉ

DISTINCT BY DESIGN™

Manuel d'utilisation et d'installation

Réfrigérateur encastré à deux tiroirs

CDE06RP***

Contenu

| | | | |
|-------------------------------------|---|--|----|
| Consignes de sécurité | 3 | Instructions d'installation | |
| Utilisation du réfrigérateur | | Exigences d'emplacement | 10 |
| Fonctions | 6 | Dimensions | 11 |
| Commandes | 7 | Préparer le réfrigérateur à deux tiroirs | 11 |
| Bac à légumes | 8 | Installation du réfrigérateur | 12 |
| Séparateur réglable | 8 | Fin de l'installation | 13 |
| Éclairage | 8 | Réinstallation et réutilisation | 13 |
| Entretien et nettoyage | 9 | Conseils de dépannage | 14 |
| Vacances ou le déménagement | 9 | Garantie limitée | 15 |
| | | Assistance à la clientèle | 16 |

Transcrivez les numéros de modèle et de série ici :

Numéro de modèle : _____

Numéro de série : _____

Ces numéros se trouvent sur l'étiquette apposée sur le côté gauche extérieur du tiroir supérieur.

FRANÇAIS

NOUS VOUS REMERCIONS D'ACCUEILLIR CAFÉ CHEZ VOUS

Nous sommes fiers du savoir-faire, de l'innovation et de l'esthétique qui composent chaque appareil Café, et nous pensons que vous le serez aussi. Dans cette optique, nous vous rappelons que l'enregistrement de votre électroménager vous assure la communication de renseignements importants sur le produit et la garantie lorsque vous en avez besoin.

Enregistrez votre électroménager Café en ligne dès maintenant. Des sites Web utiles figurent dans la section Soutien au consommateur de ce manuel d'utilisation. Vous pouvez aussi poster la fiche de garantie pré-imprimée incluse dans l'emballage.

C A F É

DISTINCT BY DESIGN™

INFORMATION DE SÉCURITÉ IMPORTANTES

LISEZ TOUTES LES DIRECTIVES AVANT D'UTILISER L'APPAREIL

⚠ AVERTISSEMENT Pour réduire le risque d'incendie, d'explosion, de choc électrique ou de blessures lorsque vous utilisez votre réfrigérateur, veuillez suivre ces consignes de sécurité :

- Ce réfrigérateur doit être correctement installé conformément aux Consignes d'Installation avant toute utilisation.
- Débranchez le réfrigérateur avant d'effectuer une réparation, de remplacer une ampoule ou de le nettoyer.
Remarque : L'alimentation du réfrigérateur ne peut être déconnectée par aucune des fonctions sur le panneau de commande.
Remarque : Les réparations doivent être effectuées par un professionnel qualifié.
- Remettez toutes les pièces et panneaux en place avant d'utiliser l'appareil.
- N'utilisez pas un cordon de rallonge.
- Gardez les matériaux et vapeurs inflammables loin du réfrigérateur.
- N'entreposez pas dans cet électroménager des substances explosives telles que des bombes aérosols qui contiennent un gaz propulseur.
- Pour éviter les risques d'asphyxie et d'enfermement pour les enfants. Démontez les portes avant de le mettre au rebut ou d'interrompre son utilisation.
- Afin de prévenir les accidents graves ou la mort, les enfants ne doivent pas se tenir ni jouer dans ou sur l'électroménager.
- Les enfants et les personnes dont les capacités sont réduites sur le plan physique, sensoriel ou mental, ou qui manquent d'expérience ou de connaissances, peuvent utiliser cet électroménager seulement si elles sont surveillées ou ont reçues des consignes de sécurité sur son usage et les risques y sont associés.
- Cet électroménager est conçu pour une utilisation domestique et applications similaires : salle du personnel dans une usine, un bureau ou d'autres lieux de travail; maison de ferme; clients dans un hôtel, un motel, un gîte touristique et d'autres lieux résidentiels; approvisionnement et applications similaires non reliées au commerce de détail.
- N'appliquez pas de nettoyants corrosifs sur le réfrigérateur. Certains nettoyants endommagent le plastique et peuvent ainsi causer le détachement inopiné de pièces telles que porte ou poignées de porte. Voyez la section Entretien et nettoyage pour des instructions détaillées.

⚠ ATTENTION Pour réduire le risque de blessures lorsque vous utilisez votre réfrigérateur, veuillez suivre ces consignes de sécurité.

- Éloignez les doigts des parties du congélateur où l'on peut facilement se pincer : les espaces entre les portes, et entre les portes et les placards sont toujours étroits. Soyez prudent lorsque vous fermez les portes en présence d'enfants.

⚠ AVERTISSEMENT **RISQUE DE BASCULEMENT**



Ces électroménagers sont lourds du haut, notamment lorsqu'une porte est ouverte, de sorte qu'ils doivent être fixés pour prévenir un basculement vers l'avant susceptible d'occasionner des blessures graves ou la mort. Lisez et observez la totalité des instructions d'installation pour connaître la façon de fixer l'électroménager sur le dispositif antibasculement.

⚠ AVERTISSEMENT  **RISQUE D'INCENDIE OU D'EXPLOSION**

Gardez les matières et les vapeurs inflammables à distance de l'électroménager. L'omission de prendre cette précaution peut entraîner un incendie, une explosion ou la mort.

⚠ AVERTISSEMENT Pour réduire le risque d'étouffement pendant l'installation de ce produit, ne pas laisser les petites pièces à la portée des enfants âgés de moins de 3 ans.

⚠ AVERTISSEMENT **RISQUE DU POIDS EXCESSIF**

Utiliser au moins deux personnes pour déplacer et installer le réfrigérateur à deux tiroirs. Le non-respect de cette instruction peut causer une blessure au dos ou d'autre blessure.

LIRE ET CONSERVER CES INSTRUCTIONS

INFORMATION DE SÉCURITÉ IMPORTANTES

LISEZ TOUTES LES DIRECTIVES AVANT D'UTILISER L'APPAREIL

⚠ AVERTISSEMENT  **RISQUE DE COUPURE**

Les bords de la caisse et les zones comportant un code d'identification ou des découpes peuvent être tranchants. Garder les mains, les doigts ou autres appendices éloignés de ces zones. Le non-respect de cette instruction peut causer des coupures.

BRANCHEMENTS ÉLECTRIQUES

⚠ AVERTISSEMENT  **RISQUE DE CHOC ÉLECTRIQUE**

Branchez l'appareil dans une prise triple avec terre.
 Ne retirez pas la broche de terre.
 N'utilisez pas d'adaptateur.
 N'utilisez pas un cordon de rallonge.
 Le non-respect de ces instructions peut entraîner des risques d'incendies, des chocs électriques ou la mort.

Ne coupez pas ou n'enlevez pas, sous aucun prétexte, la troisième broche de mise à la terre du cordon d'alimentation. Pour des raisons de sécurité, cet appareil doit être correctement mis à la terre.

Le cordon d'alimentation de cet appareil est équipé d'une fiche à trois broches (pour une mise à la terre) qui s'adapte à la prise de courant standard à 3 broches (pour une mise à la terre) pour minimiser les risques de chocs électriques par cet appareil.

Faites vérifier la prise murale et le circuit électrique par un électricien qualifié pour s'assurer que le système est correctement mis à la terre.

Dans le cas d'une prise biphasée, l'installateur a la responsabilité et l'obligation de la remplacer par une prise triphasée correctement mise à la terre. N'utilisez pas d'adaptateur.

Le réfrigérateur doit toujours être branché à sa propre prise électrique d'une tension nominale correspondant à celle indiquée sur sa plaque signalétique.

Une alimentation électrique à 115 volts CA, 60 Hz, avec un fusible de 15 ou 20 ampères et une mise à la terre est nécessaire. Ceci permet d'obtenir un meilleur rendement et évite de surcharger les circuits électriques du domicile qui risque d'occasionner un incendie en surchauffant.

Ne débranchez jamais le réfrigérateur en tirant sur le cordon d'alimentation. Prenez toujours fermement la fiche en main et tirez pour la sortir de la prise.

Réparez ou remplacez immédiatement tout cordon électrique usé ou endommagé. N'utilisez pas un cordon fissuré ou présentant des dommages dus aux frottements soit sur sa longueur ou aux extrémités.

Lorsque vous éloignez votre réfrigérateur du mur, faites attention à ne pas le faire rouler sur le cordon d'alimentation afin de ne pas l'endommager.

MISE AU REBUT APPROPRIÉE DE VOTRE ANCIEN RÉFRIGÉRATEUR

⚠ AVERTISSEMENT **RISQUE DE SUFFOQUER OU D'Y ÊTRE EMPRISONNÉ**

Le non-respect de ces instructions d'élimination peut entraîner la mort ou des blessures graves.

IMPORTANT: Les enfants pris au piège ou morts d'asphyxie sont toujours d'actualité. Les réfrigérateurs et congélateurs abandonnés sont toujours aussi dangereux, même si on n'attend que «quelques jours» pour s'en débarrasser. Si vous ne gardez pas votre ancien réfrigérateur ou congélateur, veuillez suivre les directives ci-dessous afin de prévenir les accidents.

Avant de vous débarrasser de votre ancien appareil :

- Ôter les porte.
- Laisser les tiroirs en place de sorte que les enfants ne puissent pas y pénétrer facilement.

Mise au rebut des produits réfrigérants et en mousse

Mettez l'électroménager au rebut conformément à la réglementation fédérale et locale. Le réfrigérant inflammable ainsi que le matériau d'isolation utilisés exigent des procédures d'élimination particulières. Communiquez avec les autorités locales pour connaître la façon de mettre votre électroménager au rebut qui soit respectueuse de l'environnement.

LIRE ET CONSERVER CES INSTRUCTIONS

INFORMATION DE SÉCURITÉ IMPORTANTES

LISEZ TOUTES LES DIRECTIVES AVANT D'UTILISER L'APPAREIL

⚠ AVERTISSEMENT



RISQUE D'INCENDIE OU D'EXPLOSION

Fluide frigorigène inflammable

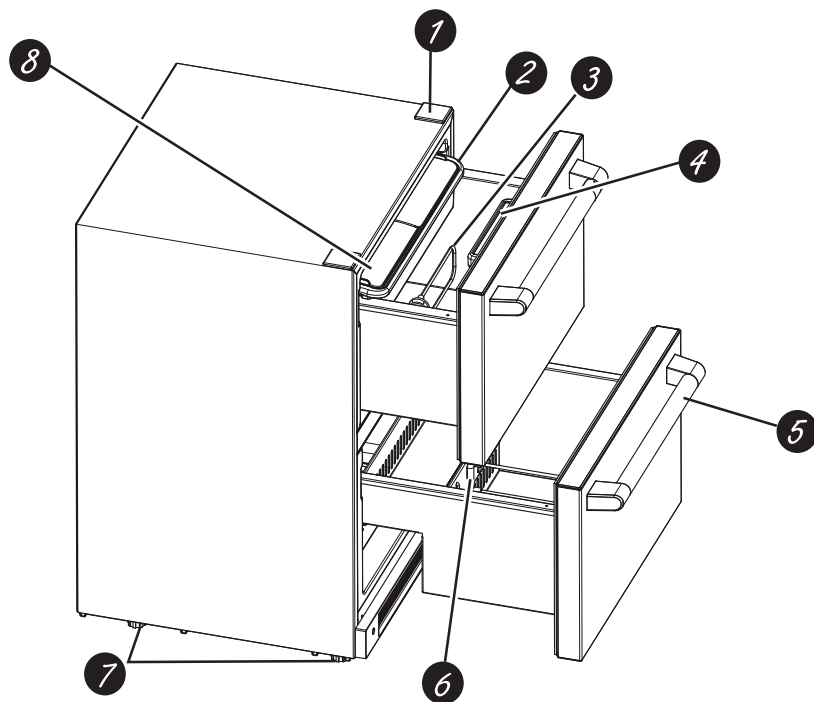
Cet électroménager contient le réfrigérant isobutane, aussi connu comme R600a, un gaz naturel à compatibilité élevée avec l'environnement. Il s'agit cependant d'un combustible. Observez les consignes de sécurité ci-dessous afin de réduire le risque de blessure ou de dommage à la propriété.

1. Lors de la manipulation, de l'installation et de l'utilisation de cet appareil, prenez soin de ne pas endommager les tubes de circulation du fluide frigorigène.
2. L'entretien ou la réparation doivent être effectués par un personnel de service autorisé. Utilisez seulement des pièces de rechange autorisées par le fabricant.
3. Mettez le réfrigérateur au rebut conformément aux réglementations fédérales et locales. Le fluide frigorigène inflammable et le matériel isolant utilisés nécessitent des procédures de mise au rebut spéciales. Communiquez avec les autorités locales compétentes pour la mise au rebut de votre réfrigérateur sans danger pour l'environnement.
4. N'obstruez pas les événements dans l'enceinte prévue pour l'appareil.
5. Pour retirer le givre, grattez à l'aide d'un grattoir ou d'une spatule en plastique ou en bois. N'utilisez pas un pic à glace ni un instrument métallique ou aux arêtes coupantes car il y a risque de percer la doublure du congélateur et la tubulure du réfrigérant inflammable derrière elle.
6. N'utilisez pas d'appareils électriques dans le compartiment réfrigérateur de cet appareil.
7. N'utilisez aucun appareil électrique pour dégivrer votre congélateur.

LIRE ET CONSERVER CES INSTRUCTIONS

Utilisation du réfrigérateur

FONCTIONS

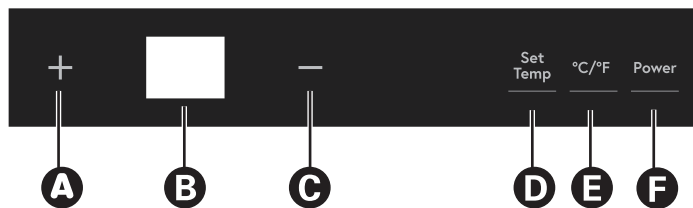


- 1 Cache-trou
- 2 Bac à légumes
- 3 Séparateur du tiroir supérieur
- 4 Panneau de commande
- 5 Poignée
- 6 Séparateur du tiroir inférieur
- 7 Pieds de nivellement
- 8 Trousse d'accessoires (brides antibasculement et vis)

Le réfrigérateur à deux tiroirs est conçu pour contenir des charges allant jusqu'à 88,2 lb (40 kg) au total, ou 44,1 lb (20 kg) par tiroir. Le tiroir supérieur peut contenir des articles d'une hauteur maximum de 12" (30,5 cm). Le tiroir inférieur est divisé par une cloison. Les articles d'une hauteur supérieure à 12" (30,5 cm) peuvent être rangés dans la section sans cloison.

Utilisation du réfrigérateur

COMMANDES



- A** Augmenter la température
- B** Écran à DEL
- C** Diminuer la température
- D** Température réglée
- E** Conversion °C/°F
- F** Interrupteur d'alimentation

Réglage de température

La gamme de températures pour le modèle de réfrigérateur à deux tiroirs s'étend de 34 °F à 45 °F (1,1 °C et 7,2 °C).

Si l'on souhaite modifier la température, appuyer sur **Set Temp** pendant 3 secondes. La commande émet un signal sonore et la température clignote sur le panneau de commande. Régler la température à l'aide des boutons + et - . Lorsque la température souhaitée apparaît sur l'affichage, appuyer sur **Set Temp** pour confirmer. La commande émet un signal sonore et la température s'arrête de clignoter.

Conversion entre °C et °F

Appuyer sur la touche °C/°F pendant 3 secondes. L'affichage de la température passe des degrés Fahrenheit aux degrés Celsius. La commande émet un signal sonore.

Appuyer sur la touche °C/°F pendant 3 secondes. L'affichage de la température passe des degrés Celsius aux degrés Fahrenheit. La commande émet un signal sonore.

Allumer/éteindre le réfrigérateur à deux tiroirs

- Appuyer sur POWER (mise en route) pendant 3 secondes pour allumer et éteindre le réfrigérateur.

Pour éteindre le réfrigérateur à deux tiroirs pendant une période prolongée :

- Éteindre le réfrigérateur à deux tiroirs et le débrancher de la prise.
- Ôter les aliments et nettoyer le réfrigérateur à deux tiroirs.
- Laisser les tiroirs entrouverts pour éviter les odeurs.

Mode sabbat

Cette caractéristique est disponible pour le respect de certaines fêtes religieuses. En mode Sabbat, le réfrigérateur à deux tiroirs continue de fonctionner (compresseur, électrovanne, ventilateur, circuit de l'élément chauffant) mais toutes les lumières, notamment celle du panneau de commande et les DEL sont éteintes, que la porte soit ouverte ou fermée.

Appuyer simultanément sur les boutons + et - pendant 3 secondes. La commande émet un signal sonore et le panneau d'affichage clignote 5 fois puis s'arrête pour indiquer que le réfrigérateur à deux tiroirs est entré en mode Sabbat.

Appuyer simultanément sur les boutons + et - pendant 3 secondes pour désactiver le mode Sabbat. Le panneau d'affichage clignote 5 fois pour indiquer la sortie du mode Sabbat.

Alarme de porte entrouverte

Si un tiroir est entrouvert pendant plus de 3 minutes, le panneau de commande émet un signal sonore. Pour arrêter l'alarme sans fermer le tiroir, appuyer sur **Set Temp**.

Utilisation du réfrigérateur

BAC À LÉGUMES

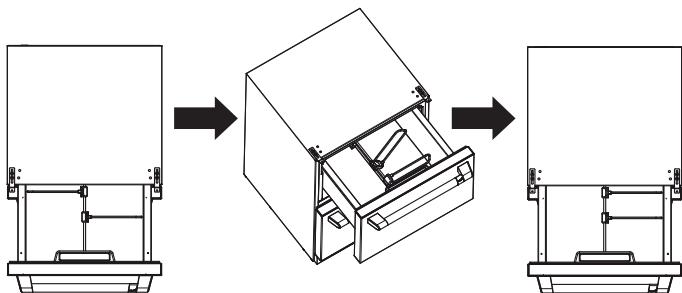
- Le bac à légumes est un endroit pratique pour ranger les légumes frais.
- Un bac à légumes avec couvercle se trouve dans le tiroir supérieur.
- Le bac à légumes peut être retiré lorsqu'il n'est pas utilisé.

SÉPARATEUR RÉGLABLE

Chaque tiroir est équipé d'un séparateur. Pour ranger les aliments plus librement, les séparateurs peuvent être réglés ou retirés.

Réglage du séparateur du compartiment supérieur :

Le tiroir supérieur est divisé par des séparateurs attachés au support du bac. Les deux séparateurs peuvent être réglés soit de gauche à droite, soit de l'arrière vers l'avant comme illustré.



Pour faciliter le nettoyage, les séparateurs peuvent être retirés. Voir "Préparation du réfrigérateur à deux tiroirs".

Réglage du séparateur du compartiment inférieur :

Pour ranger les aliments plus librement, le séparateur du tiroir inférieur peut être inséré entre n'importe laquelle des encoches des parois avant et arrière du tiroir.

ÉCLAIRAGE

IMPORTANT : Le réfrigérateur à deux tiroirs est équipé d'un éclairage DEL. Cet éclairage est conçu pour durer toute la durée de vie du réfrigérateur à deux tiroirs. Toutefois, si l'éclairage s'arrête de fonctionner, contacter un technicien qualifié pour effectuer le remplacement.

Une DEL se situe en haut des tiroirs supérieur et inférieur. L'éclairage DEL est contrôlé par l'ouverture et la fermeture des tiroirs. Lorsqu'un tiroir est ouvert, la DEL est allumée. Lorsque le tiroir est fermé, la DEL est éteinte.

IMPORTANT : Des aimants sont fixés sur la partie intérieure gauche du tiroir supérieur et au bas de la porte du tiroir inférieur. Ne pas retirer les aimants, car ceux-ci sont nécessaires au bon fonctionnement du système d'éclairage.

Entretien et nettoyage

NETTOYAGE

⚠ AVERTISSEMENT **Risque d'incendie ou d'explosion. Présence de réfrigérant inflammable.**

Pour enlever le givre, grattez à l'aide d'un grattoir ou d'une spatule en plastique ou en bois. N'utilisez pas de pic à glace ou un instrument métallique à bord tranchant pour éviter de perforer la cuve interne du congélateur et la tubulure du gaz réfrigérant derrière cette dernière.

N'utilisez aucun appareil électrique pour dégivrer votre congélateur.

Le réfrigérateur à deux tiroirs se dégivre automatiquement. L'eau sur la paroi arrière se vidange dans le réservoir d'eau et s'évapore par le condensateur.

IMPORTANT : Ne pas utiliser de produits chimiques corrosifs, d'ammoniaque, d'agent de blanchiment, de détergents concentrés, de solvant ou de tampons à récurer métalliques ou abrasifs pour nettoyer l'intérieur ou l'extérieur du produit. Ceux-ci peuvent endommager et/ou décolorer le ni.

⚠ AVERTISSEMENT **RISQUE DE DÉCHARGE ÉLECTRIQUE**

Débrancher votre appareil ou déconnecter la source de courant électrique avant de le nettoyer.

Le non-respect de cette instruction peut causer un décès, un choc électrique ou blessures.

Renseignements Généraux

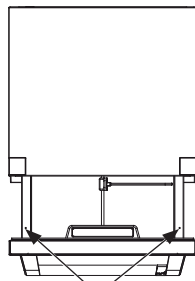
1. Débrancher ou déconnecter la source de courant électrique.
2. Laver les surfaces intérieures, les accessoires et le cadre extérieur avec une solution d'eau tiède mélangée à 3-4 cuillères à soupe de bicarbonate de soude.

REMARQUE : Avant d'utiliser des produits de nettoyage, toujours lire et suivre les instructions et avertissements du fabricant an d'éviter toute blessure ou dommage du produit.

3. Rincer à l'eau tiède propre.
4. Sécher soigneusement avec un chiffon doux.
5. Brancher l'appareil ou reconnecter la source de courant électrique.
6. Nettoyer le trou d'écoulement à l'aide d'un petit ustensile doux comme par exemple un coton-tige. Pour accéder au trou d'écoulement, il faut au préalable ôter le tiroir inférieur.

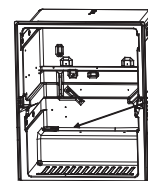
Pour retirer le tiroir inférieur :

1. Sortir complètement le tiroir en le faisant coulisser.
2. À l'aide d'un tournevis, retirer les 2 vis fixant le tiroir inférieur aux rails du tiroir.



Emplacement des vis

3. Ôter le tiroir inférieur.
4. Nettoyer le trou d'écoulement comme illustré ci-dessous à l'aide d'un ustensile doux comme par exemple un coton-tige, puis installer le tiroir inférieur en suivant les étapes ci-dessus en sens inverse.



Emplacement du trou d'écoulement

Joint d'étanchéité de la porte

Les joints doivent être maintenus propres et souples pour assurer une étanchéité convenable.

- Nettoyer les joints d'étanchéité de la porte tous les 3 mois avec une solution de bicarbonate de soude et d'eau chaude.
- Un peu de vaseline appliquée sur les joints côté charnière maintiendra la souplesse du joint et garantira une bonne étanchéité.

VACANCES OU LE DÉMÉNAGEMENT

Vacances

Si l'on prévoit de s'absenter pendant une longue période et que l'on ne souhaite pas laisser l'appareil en marche pendant tout ce temps, il faut alors le préparer pour cette absence.

1. Retirer les aliments du congélateur.
2. Maintenir enfoncé le bouton POWER du panneau de commande durant 3 secondes pour désactiver le refroidissement.
3. Débrancher ou déconnecter la source de courant électrique.
4. Nettoyer l'intérieur. Voir "Nettoyage".
5. Nettoyer les joints du couvercle/de la porte. Voir la section "Nettoyage".
6. Maintenez les tiroirs ouvertes afin que l'air puisse circuler à l'intérieur.

Déménagement

En cas de déménagement et de déplacement du réfrigérateur dans une nouvelle habitation, suivre ces étapes pour préparer le déménagement.

IMPORTANT:

- Manipuler avec précaution lors du déplacement pour éviter soit d'endommager le circuit frigorigène, soit d'augmenter le risque de fuites.
- Lorsque le réfrigérateur est déplacé, ne jamais l'incliner à plus de 45°. Cela pourrait endommager le compresseur et le système scell

1. Procéder à la préparation en effectuant les étapes 1 à 5. Voir la section "Vacances".
2. Retirer toutes les pièces amovibles, bien les envelopper et les attacher ensemble avec du ruban adhésif pour qu'elles ne bougent ou ne s'entrechoquent pas durant le déménagement.
3. Utiliser du ruban adhésif pour maintenir les tiroirs fermés et fixer le cordon d'alimentation sur l'arrière du réfrigérateur.

Instructions d'installation

RÉFRIGÉRATEUR À DEUX TIROIRS

Des Questions ? Consultez notre site internet : cafeappliances.ca

AVANT DE COMMENCER

Lisez ces instructions entièrement et attentivement.

- **IMPORTANT** — Respectez tous les codes et règlements en vigueur. Conservez ces instructions pour l'inspecteur local.
- Remarque pour l'Installateur – Assurez-vous de remettre ces instructions à l'utilisateur.
- Remarque pour l'utilisateur- Conservez ces instructions pour toute référence future.
- Niveau de compétence - L'installation de cet appareil demande des connaissances de base en mécanique.
- Délai d'exécution– Variable pour l'installation du réfrigérateur
- L'installateur est responsable de l'installation correcte de l'appareil.
- La panne de l'appareil due à une mauvaise installation n'est pas couverte par la garantie.

⚠ AVERTISSEMENT RISQUE DU POIDS EXCESSIF

Utiliser au moins deux personnes pour déplacer et installer le réfrigérateur à deux tiroirs.

Le non-respect de cette instruction peut causer une blessure au dos ou d'autre blessure.

⚠ AVERTISSEMENT RISQUE DE COUPURE

Les bords de la caisse et les zones comportant un code d'identification ou des découpes peuvent être tranchants. Garder les mains, les doigts ou autres appendices éloignés de ces zones.

Le non-respect de cette instruction peut causer des coupures.

IMPORTANT : Manipuler le réfrigérateur à deux tiroirs avec précautions lorsqu'il est déplacé soit pour éviter d'endommager le circuit frigorigène, soit pour diminuer le risque de fuites.

IMPORTANT : Lorsque le réfrigérateur à deux tiroirs est déplacé, ne jamais l'incliner à plus de 45°. Cela pourrait endommager le compresseur et le système scellé. Si le réfrigérateur à deux tiroirs a été placé en position horizontale pendant un moment, attendre une heure avant de brancher le réfrigérateur à deux tiroirs pour que le réfrigérant se remette en place.

EXIGENCES D'EMPLACEMENT

IMPORTANT: Ce réfrigérateur à deux tiroirs est prévu pour une utilisation encastrée uniquement. Avant utilisation, ce réfrigérateur à deux tiroirs doit être correctement installé.

REMARQUE : Laisser le réfrigérateur à deux tiroirs debout sur son socle pendant au moins une heure avant installation.

- N'installez pas le réfrigérateur à deux tiroirs dans une pièce où les températures descendent en-dessous de 55 °F (13 °C) parce qu'il serait difficile d'y maintenir une température correcte.
- N'installez pas le réfrigérateur à deux tiroirs dans un endroit où la température ambiante sera supérieure à 110 °F (43 °C). Il ne fonctionnera pas correctement.
- Il doit être installé sur une surface suffisamment solide pour supporter le poids d'un réfrigérateur à deux tiroirs rempli.
- N'installez pas le réfrigérateur à deux tiroirs dans un endroit exposé à l'eau (pluie, etc.) ou directement aux rayons solaires.

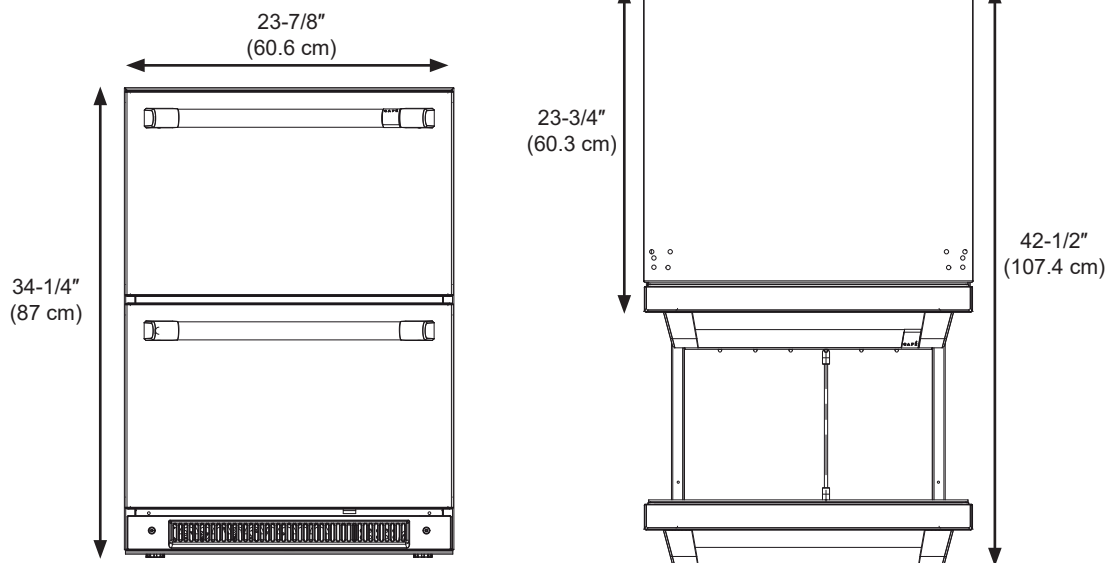
OUTILS NÉCESSAIRES

- Tournevis Phillips
- Mètre ruban
- Niveau

PIÈCES FOURNIES

- Brides antibasculement
- Vis
- Clé hexagonale 1/8 po

DIMENSIONS DU RÉFRIGÉRATEUR À DEUX TIROIRS



RETRAIT DES MATÉRIAUX D'EMBALLAGE

REMARQUE : Les poignées de tiroir sont incluses dans l'emballage qui recouvre la partie supérieure de l'appareil. Une clé servant à installer les poignées est incluse dans le sac d'accessoires situé dans le tiroir supérieur.

- Enlever tout résidu de ruban adhésif et de colle des surfaces du réfrigérateur à deux tiroirs avant de le mettre en marche. Frotter une petite quantité de savon liquide à vaisselle sur l'adhésif avec les doigts. Rincer à l'eau tiède et sécher.

REMARQUE : Ne pas utiliser d'instruments coupants, d'alcool à friction, de liquides inflammables ou de nettoyeurs abrasifs pour enlever le ruban adhésif ou la colle. Ces produits peuvent endommager la surface du réfrigérateur à deux tiroirs. Pour plus de renseignements, voir "Sécurité du réfrigérateur à deux tiroirs".

- Jeter/recycler tous les matériaux d'emballage.

NETTOYAGE AVANT UTILISATION

Après avoir enlevé tous les matériaux d'emballage, nettoyer l'intérieur du réfrigérateur à deux tiroirs avant de l'utiliser. Voir les instructions de nettoyage dans "Entretien du réfrigérateur à deux tiroirs".

PRÉPARER LE RÉFRIGÉRATEUR À DEUX TIROIRS

1. Ouvrir le tiroir supérieur en le tirant. Ôter les bacs à légumes et les mettre de côté.
2. Dégager des deux mains la tige métallique à l'avant et à l'arrière du tiroir. À deux mains, soulever la tige métallique du séparateur du tiroir et la dégager des encoches situées à l'avant et à l'arrière du tiroir.
3. Une fois que la tige du séparateur du tiroir est dégagée des encoches, tourner la tige pour former un angle à l'avant du tiroir. Soulever lentement la tige du tiroir pour éviter de la cogner sur le panneau de commande, puis mettre de côté le séparateur.
4. Fermer le tiroir supérieur pour éviter de l'endommager durant l'installation.

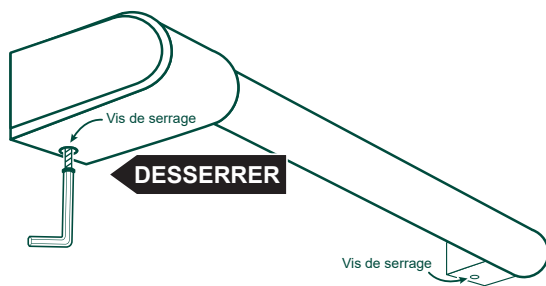
Instructions d'installation

INSTALLATION DU RÉFRIGÉRATEUR

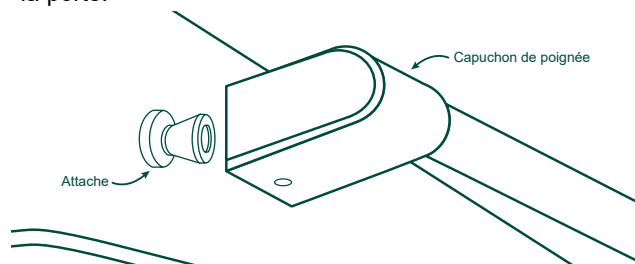
Retirer toutes les pellicules protectrices sur le devant des tiroirs avant d'installer les poignées.

INSTALLATION DES POIGNÉES

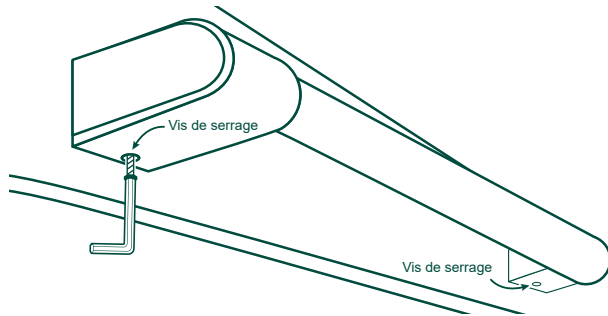
1. Retirer la clé hexagonale pour poignées du sac d'accessoires situé dans le tiroir supérieur.
2. Retirer les poignées de la pièce supérieure de l'emballage. La poignée avec l'écusson va sur le tiroir supérieur et celle sans écusson sur le tiroir inférieur.
3. Desserrer la vis de serrage à l'aide de la clé hexagonale.



Placer les capuchons de poignée sur les fixations de la porte. Veiller à supporter la poignée car elle pourrait tomber et rayer le fini de l'électroménager. S'assurer que les deux capuchons de poignée reposent sur la face de la porte.



4. Verrouiller une extrémité de la poignée en position en serrant la vis de serrage à l'aide de la clé hexagonale fournie. NE PAS serrer excessivement.



5. Continuer de supporter la poignée pour verrouiller l'autre extrémité de la poignée en serrant la vis de serrage dans le capuchon de poignée. NE PAS serrer excessivement.

Répéter ces instructions pour la deuxième poignée.

⚠ AVERTISSEMENT

RISQUE DE BASCULEMENT

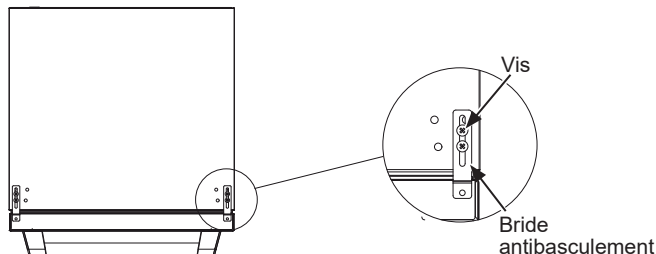


Ces électroménagers sont lourds du haut, notamment lorsqu'une porte est ouverte, de sorte qu'ils doivent être fixés pour prévenir un basculement vers l'avant susceptible d'occasionner des blessures graves ou la mort. Lisez et observez la totalité des instructions d'installation pour connaître la façon de fixer l'électroménager sur le dispositif antibasculement.

MÉTHODE 1 - INSTALLATION DANS UN PLAN DE TRAVAIL

Fixer les brides basculement

1. Soulever les cache-trous du sommet de la caisse pour dévoiler les trous destinés à installer les brides antibasculement.
2. Ouvrir le tiroir supérieur et le laisser ouvert pour installer les brides antibasculement.
3. Ôter les brides antibasculement et les vis du sachet d'accessoires.
4. À l'aide des vis fournies, poser les brides antibasculement sur le dessus de la caisse, des deux côtés.



Régler l'aplomb du réfrigérateur à deux tiroirs

Il peut être nécessaire de régler les pieds de nivellement sous le réfrigérateur à deux tiroirs pour bien l'installer dans l'ouverture du placard.

1. Régler la hauteur de l'arrière du réfrigérateur à deux tiroirs en relevant ou en abaissant les pieds de nivellement arrière, puis en commençant à faire coulisser le réfrigérateur à deux tiroirs dans l'ouverture sous le plan de travail.
2. Régler l'avant du réfrigérateur à deux tiroirs, en relevant ou en abaissant les pieds de nivellement jusqu'à ce qu'il rentre sous le plan de travail, en laissant suffisamment d'espace pour installer la bride antibasculement sur le dessous du plan de travail.
3. Relever les pieds de nivellement avant jusqu'à ce que la bride antibasculement soit en affleurement avec le dessous du plan de travail.
4. Installer le réfrigérateur à deux tiroirs sous le plan de travail.

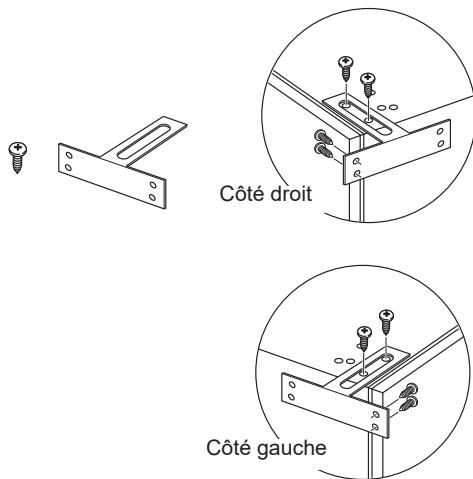
Instructions d'installation

INSTALLATION DU RÉFRIGÉRATEUR (Suite)

MÉTHODE 2 - INSTALLATION DANS UN PLACARD ADJACENT

Fixer les brides antibasculement

1. Soulever les cache-trous du sommet de la caisse pour dévoiler les trous destinés à installer les brides antibasculement.
2. Ouvrir le tiroir supérieur et le laisser ouvert pour installer les brides antibasculement.
3. Ôter les brides antibasculement et les vis du sachet d'accessoires.
4. Fixer les brides antibasculement sur chaque côté du sommet de la caisse à l'aide des vis fournies.



Régler l'aplomb du réfrigérateur à deux tiroirs

Il peut être nécessaire de régler les pieds de nivellement sous le réfrigérateur à deux tiroirs pour bien l'installer dans l'ouverture du placard.

1. Régler la hauteur de l'arrière du réfrigérateur à deux tiroirs en relevant ou en abaissant les pieds de nivellement arrière, puis commencer à faire coulisser le réfrigérateur à deux tiroirs dans l'ouverture sous le plan de travail.
2. Régler l'avant du réfrigérateur à deux tiroirs en relevant ou en abaissant les pieds de nivellement, jusqu'à ce que le réfrigérateur rentre sous le plan de travail.
3. Installer le réfrigérateur à deux tiroirs dans le placard.

FIN DE L'INSTALLATION

⚠ AVERTISSEMENT  **RISQUE DE DÉCHARGE ÉLECTRIQUE**

Brancher sur une prise à 3 alvéoles reliée à la terre.
Ne pas enlever la broche de liaison à la terre du cordon d'alimentation.
Ne pas utiliser un adaptateur.
Ne pas utiliser un câble de rallonge.
Le non-respect de cette instruction pourrait causer un décès, un incendie ou un choc électrique.

- Brancher sur une prise de courant à 3 alvéoles, reliée à la terre.

RÉINSTALLATION/RÉUTILISATION DU RÉFRIGÉRATEUR À DEUX TIROIRS

IMPORTANT : Si le réfrigérateur a été placé en position horizontale ou incliné pendant un moment, attendre une heure avant de le brancher pour que le réfrigérant se remette en place.

1. Nettoyer le réfrigérateur. Voir "Nettoyage".
2. Placer le réfrigérateur à l'emplacement souhaité et régler son aplomb. Voir "Instructions d'installation".

⚠ AVERTISSEMENT  **RISQUE DE DÉCHARGE ÉLECTRIQUE**

Brancher sur une prise à 3 alvéoles reliée à la terre.
Ne pas enlever la broche de liaison à la terre du cordon d'alimentation.
Ne pas utiliser un adaptateur.
Ne pas utiliser un câble de rallonge.
Le non-respect de cette instruction pourrait causer un décès, un incendie ou un choc électrique.

3. Brancher sur une prise à 3 alvéoles reliée à la terre.

Conseils de dépannage... Avant de planifier une visite de service

Économisez temps et argent! Examinez d'abord les tableaux des pages suivantes, vous pourriez éviter une visite de service.

| PROBLÈME | CAUSE(S) POSSIBLE(S) | SOLUTION |
|---|--|---|
| Le réfrigérateur à deux tiroirs ne se met pas en route | Le réfrigérateur à deux tiroirs est débranché | Brancher le cordon d'alimentation électrique dans la prise de courant. |
| | Le disjoncteur est ouvert ou déclenché/un fusible est grillé | Réenclencher le disjoncteur ou remplacer le fusible |
| Le compresseur du réfrigérateur à deux tiroirs se met en route souvent ou pendant des périodes prolongées | Ceci est normal lorsque le réfrigérateur est branché pour la première fois | Accorder 24 heures pour que le réfrigérateur à deux tiroirs se refroidisse complètement |
| | Des aliments chauds ou de grosses quantités d'aliments ont été ajoutés | Ceci est normal |
| | La porte a été laissée entrouverte | S'assurer qu'un article ne bloque pas la fermeture de la porte |
| | Temps chaud ou ouvertures fréquentes | Ceci est normal pour maintenir une température constante lorsqu'il fait chaud et humide |
| | Le joint n'est pas hermétique | Nettoyer le joint |
| Il y a une odeur dans le réfrigérateur à deux tiroirs | Les emballages alimentaires ne sont pas étanches ou les aliments ne sont pas emballés correctement | Refermer hermétiquement les emballages. Placer une boîte ouverte de bicarbonate de soude dans le réfrigérateur à deux tiroirs, la remplacer tous les 3 mois |
| | L'intérieur a besoin d'être nettoyé | Nettoyer l'intérieur. Voir "Nettoyage" |
| | Les aliments ont été conservés trop longtemps | Jeter les aliments gâtés |
| La lumière ne s'allume pas | Le réfrigérateur à deux tiroirs est débranché | Le brancher à la source de courant électrique |
| | L'ampoule DEL est grillée. | Contacteur un technicien qualifié pour remplacer la DEL grillée |
| Les tiroirs ne ferment pas correctement | Le réfrigérateur à deux tiroirs n'est pas d'aplomb | Voir "Réglage de l'aplomb" |
| | Quelque chose bloque la fermeture de la porte | Vérifier si la porte rencontre une obstruction (p. ex. bouteilles, aliments, renversements, etc.) et la retirer |
| Vibration ou cliquetis | Le réfrigérateur à deux tiroirs n'est pas en contact ferme avec le plancher | Voir "Réglage de l'aplomb" |
| <i>Sons normaux</i> | Son donnant l'impression que de l'eau s'écoule du réfrigérateur à deux tiroirs | Ce son est émis par le réfrigérant qui s'écoule dans les canalisations lorsque le compresseur se met en marche et s'arrête |
| | | Le réfrigérateur à deux tiroirs est équipé d'un système de dégivrage automatique. Ce son est émis par l'eau dégivrée |
| | Ronflement ou bourdonnement | Ce son peut être émis par le compresseur et les ventilateurs. Si le réfrigérateur n'est pas d'aplomb, le son sera plus fort |
| | Craquement ou cliquetis | Ce son est émis par les parties intérieures lorsqu'elles se contractent ou se dilatent en réponse à des changements de température |
| TEMPÉRATURE ET HUMIDITÉ | | |
| Le réfrigérateur à deux tiroirs est trop chaud | La commande de température n'a pas été réglée à un point assez bas | Régler la température à un point plus froid; attendre 24 heures que la température s'ajuste |
| | Porte ouverte souvent ou laissée ouverte | Maintenir la porte fermée / Vérifier qu'un emballage ne bloque pas la fermeture de la porte |
| | Des aliments tièdes ont été ajoutés récemment | Attendre que les aliments et le réfrigérateur à deux tiroirs aient refroidi |
| | Le joint n'est pas hermétique | Nettoyer le joint |
| Le réfrigérateur à deux tiroirs est trop froid | La commande de température a été réglée à un point trop bas | Augmenter la température du compartiment au prochain palier; attendre 24 heures que la température s'ajuste |
| Humidité sur l'extérieur/ l'intérieur du réfrigérateur à deux compartiments | Forte présence d'humidité | Ceci est normal. Sécher la surface et régler la température à un point légèrement plus froid |
| | Porte ouverte souvent ou laissée ouverte | Garder la porte fermée. Vérifier qu'un emballage ne bloque pas la fermeture de la porte |
| | Le joint n'est pas hermétique | Nettoyer le joint |

Garantie limitée du réfrigérateur Café

cafeappliances.ca

Toutes les réparations en vertu de la garantie sont fournies par nos Centres de Service d'Usine ou par un technicien en réparation autorisé. Pour prévoir une réparation, consultez notre site cafeappliances.ca/service. Veuillez avoir votre numéro de série et votre numéro de modèle à portée de main lorsque vous appelez pour obtenir un service.

| | |
|--|--|
| Pendant la période de garantie de : | CAFÉ remplacera : |
| Un An A compter de la date d'achat initial | Toute pièce du réfrigérateur qui s'avère défectueuse en raison d'un défaut de matériau ou de fabrication. Pendant la validité de la présente garantie limitée d'un an, CAFÉ fournira également gratuitement la main d'œuvre et le service pour réparer la pièce défectueuse. |

Ce qui n'est pas couvert par CAFÉ :

- Les déplacements à votre domicile pour vous expliquer l'utilisation de ce produit
- Une installation, livraison ou maintenance défectueuse.
- Une panne du produit par abus d'utilisation, par mauvaise utilisation, par modification ou s'il a été utilisé dans un but autre que celui pour lequel il a été fabriqué.
- Détérioration des aliments.
- Le remplacement des fusibles ou le réenclenchement du disjoncteur du domicile.
- Les dommages à la finition, tels que rouille de surface, ternissement ou petites taches, non signalés dans un délai de 48 heures suivant la livraison.
- Le remplacement des ampoules, si incluses, ou la cartouche filtrante, si incluse, et dans des conditions autres que celles susmentionnées.
- Tout dommage causé par accident, incendie, inondation ou une catastrophe naturelle.
- Tout dommage fortuit ou indirect causé par des défauts éventuels de cet appareil.
- Le service s'il est impossible d'avoir accès au produit.

EXCLUSION DES GARANTIES TACITES
Votre recours exclusif est l'échange du produit suivant les modalités de la Garantie Limitée. Toutes garanties tacites, y compris les garanties de valeurs marchandes ou d'adéquation à des fins particulières, sont limitées à une durée d'un an ou à la durée la plus courte autorisée par la loi.

Pour les clients des États-Unis : Cette garantie limitée est offerte à l'acheteur initial et à tout propriétaire successif de produits à usage domestique à l'intérieur des États-Unis. Si le produit est installé dans une région où ne se trouve aucun réparateur autorisé Café, vous devrez peut-être assumer les frais de transport ou apporter l'appareil à un centre de service autorisé Café. En Alaska, la garantie limitée exclut les frais d'expédition ou de service à votre domicile.

Certains états n'acceptent pas d'exclusion ou de limites aux dommages indirects consécutifs. Cette garantie vous accorde des droits particuliers et il peut exister d'autres droits qui varient selon l'État ou la province. Pour connaître vos droits juridiques, veuillez consulter le bureau local ou le bureau d'état des affaires aux consommateurs ou le Procureur Général de votre état.

Garant : États-Unis : GE Appliances, a Haier company
Louisville, KY 40225

Cette garantie est étendue à l'acheteur d'origine et aux propriétaires suivants pour tout produit acheté aux Canada pour une utilisation domestique aux Canada. Le service à domicile en vertu de la garantie sera fourni dans les régions où il est disponible et où Mabe estime raisonnable de le fournir.

Garant Canada: MC Commercial, Inc., Burlington, Ontario, L7R 5B6

GARANTIE LIMITÉE

Pour bénéficier du service de réparation sous garantie, une preuve de la date d'achat initial est nécessaire.

Soutien au consommateur

Site Web de Café

Vous avez une question ou vous avez besoin d'aide pour votre appareil électroménager? Visitez le site Web de Café 24 heures par jour, tous les jours de l'année! Vous pouvez aussi y trouver d'autres formidables produits Café et tirer avantage de tous nos services d'assistance en ligne. Aux États-Unis : cafeappliances.com
Au Canada : cafeappliances.ca

Enregistrez votre électroménager

Enregistrez votre nouvel appareil en ligne au moment qui vous convient le mieux! L'enregistrement de votre produit dans les délais prescrits permet une meilleure communication et un service rapide, selon les modalités de votre garantie, si besoin est. Vous pouvez également envoyer par courrier la carte d'enregistrement pré-imprimée qui se trouve dans l'emballage de votre appareil.

Aux États-Unis : cafeappliances.com/register

Au Canada : cafeappliances.ca/register

Service de réparation

Un service de réparation expert Café se trouve à quelques pas de chez vous. Rendez-vous sur notre site et programmez, à votre convenance, une visite de réparation à n'importe quel jour de l'année.

Aux États-Unis : cafeappliances.com/service

Au Canada : cafeappliances.ca/service

Prolongation de garantie

Procurez-vous une prolongation de garantie Café et informez-vous des rabais spéciaux en vigueur pendant la durée de votre garantie. Vous pouvez vous la procurer en ligne en tout temps. Les services Café seront toujours disponibles après l'expiration de la garantie. Aux États-Unis : cafeappliances.com/service

Au Canada : cafeappliances.ca/service

Pièces et accessoires

Les personnes ayant les compétences requises pour réparer elles-mêmes leurs appareils peuvent recevoir directement à la maison des pièces ou accessoires (les cartes VISA, MasterCard et Discover sont acceptées). Commandez en ligne 24 heures par jour.

Aux États-Unis : cafeappliances.com

Au Canada : cafeappliances.ca

Les instructions contenues dans le présent manuel comportent des procédures que tout utilisateur peut effectuer. Les autres types de réparation doivent généralement être confiés à un technicien qualifié. Utilisez de prudence : une réparation ou un entretien mal effectués peuvent rendre l'utilisation de l'appareil dangereuse.

Communiquez avec nous

Si vous n'êtes pas satisfait du service après-vente de Café, communiquez avec nous depuis notre site Web en fournissant tous les détails dont votre numéro de téléphone, ou écrivez à :

Aux États-Unis : General Manager, Customer Relations | Café, Appliance Park | Louisville, KY 40225

cafeappliances.com/contact

Au Canada : Director, Consumer Relations, Mabe Canada Inc. | Suite 310, 1 Factory Lane | Moncton, N.B. E1C 9M3

cafeappliances.ca/contact



DISTINCT BY DESIGN™

Manual del propietario e instrucciones de instalación

Refrigerador de Dos Cajones de Bajo Mesada

CDE06RP****

Contenido

| | | | |
|---------------------------------------|---|---|----|
| Información de Seguridad | 3 | Instrucciones de Instalación | |
| Usando el Refrigerador | | Requisitos de Ubicación | 10 |
| Funciones | 6 | Dimensiones | 11 |
| Controles | 7 | Preparación del Refrigerador de Doble Cajón | 11 |
| Cajón para Verduras | 8 | Instalar el Refrigerador | 12 |
| Divisor Regulable | 8 | Complete La Instalación | 13 |
| Luces | 8 | Volver a Instalar o Usar | 13 |
| Cuidado y Limpieza | 9 | Consejos para la Solución de Problemas | 14 |
| Vacaciones y Mudanzas | 9 | Garantía Limitada | 15 |
| | | Soporte al Cliente | 16 |

Escriba los números de modelo y de serie aquí:

Nº de Modelo _____

Nº de Serie _____

Encuentre estos números en una etiqueta del lado exterior izquierdo del cajón superior.

ESPAÑOL

GRACIAS POR HACER QUE CAFÉ SEA PARTE DE SU HOGAR.

Sentimos orgullo por el nivel de arte, innovación y diseño de cada uno de los electrodomésticos de Café, y creemos que usted también. Entre otras cosas, el registro de su electrodoméstico asegura que podamos entregarle información importante del producto y detalles de la garantía cuando los necesite.

Registre su electrodoméstico Café ahora a través de Internet. Sitios Web y números telefónicos útiles están disponibles en la sección de Soporte para el Consumidor de este Manual del Propietario. También puede enviar una carta en la tarjeta de inscripción preimpresa que se incluye con el material embalado.

C A F É

DISTINCT BY DESIGN™

⚠ ADVERTENCIA

A fin de reducir el riesgo de incendio, explosión, descargas eléctricas o lesiones al usar su refrigerador, siga estas precauciones básicas de seguridad:

- Este refrigerador se deberá instalar y ubicar adecuadamente de acuerdo con las Instrucciones de Instalación antes de ser usado.
- Desenchufe el refrigerador antes de hacer reparaciones, reemplazar una lámpara de luz o hacer una limpieza.
Nota: La corriente que va al refrigerador no puede ser desconectada por ninguna configuración del panel de control.
Nota: Las reparaciones deberán ser realizadas por un Profesional del Servicio Técnico calificado.
- Reemplace todas las piezas y paneles antes del uso.
- No use un prolongador.
- Mantenga cualquier material y vapores inflamables alejados del refrigerador.
- No guarde sustancias explosivas tales como latas de aerosoles con propelentes inflamables en este electrodoméstico.
- A fin de evitar riesgos de que los niños sufran asfixia o queden atrapados, retire las puertas refrigerador antes de deshacerse o dejar de usar el mismo.
- Los niños y las personas con capacidad física, sensorial o mental reducida o con falta de experiencia y conocimiento podrán usar este electrodoméstico sólo si son supervisados o les fueron dadas instrucciones sobre un uso seguro y entienden los riesgos involucrados.
- Este electrodoméstico fue diseñado para uso hogareño y para aplicaciones similares tales como: áreas de personal de cocina en tiendas, oficinas y otros espacios laborales; casas de campo; por clientes en hoteles, moteles, hostales y otros espacios residenciales, catering y aplicaciones no minoristas similares.
- No aplique limpiadores ásperos sobre el refrigerador. Ciertos limpiadores dañarán el plástico, lo cual podrá hacer que ciertas piezas tales como la puerta o las manijas de las puertas se separen de forma inesperada. Para acceder a instrucciones detalladas, lea la sección de Cuidado y Limpieza.

⚠ PRECAUCIÓN

A fin de reducir el riesgo de lesiones al usar el refrigerador, siga estas precauciones básicas.

- Mantenga los dedos fuera de los espacios de “riesgo de lastimaduras”; los despejes entre las puertas y entre las puertas y el gabinete son necesariamente pequeños. Tenga el cuidado de cerrar las puertas cuando los niños se encuentren en el área.

⚠ ADVERTENCIA

RIESGO DE CAÍDAS



Estos electrodomésticos son inestables, especialmente cuando una puerta se encuentre abierta, y deben estar asegurados a fin de evitar caídas hacia adelante que podrían resultar en la muerte o en lesiones graves. Lea y siga las instrucciones de instalación en su totalidad para asegurar el electrodoméstico con el sistema anti volcaduras.

⚠ ADVERTENCIA



RIESGO DE INCENDIO O EXPLOSIÓN

Mantenga cualquier material y vapores inflamables alejados del electrodoméstico. Si no se cumple con esto, se podrá producir una explosión, incendio o la muerte.

⚠ ADVERTENCIA

A fin de reducir el riesgo asociado con descargas, no permita que los niños menores de 3 años de edad tengan acceso a las partes pequeñas durante la instalación de este producto.

⚠ ADVERTENCIA

Peligro de Peso Excesivo

Con la ayuda de dos o más personas, mueva e instale el refrigerador de doble cajón. No seguir esta instrucción puede ocasionar una lesión en la espalda u otro tipo de lesiones.

INFORMACIÓN IMPORTANTE DE SEGURIDAD LEA TODAS LAS INSTRUCCIONES ANTES DE USAR

⚠ ADVERTENCIA



Peligro de Cortaduras

Los bordes del armario a lo largo de las áreas de estampado/recortes podrían tener lo. Evite colocar las manos, los dedos u otras partes del cuerpo cerca de estas áreas.

No seguir esta instrucción puede ocasionar cortaduras.

CONEXIÓN DE LA ELECTRICIDAD

⚠ ADVERTENCIA



RIESGO DE DESCARGA ELÉCTRICA

Enchufe en un tomacorriente con conexión a tierra de 3 cables.

No elimine el cable de conexión a tierra.

No use un adaptador.

No use un prolongador.

Si no se siguen estas instrucciones se podrá producir a muerte, incendios o descargas eléctricas.

Nunca, bajo ninguna circunstancia, corte o elimine el tercer cable (tierra) del cable de corriente. Para su seguridad personal, este electrodoméstico debe estar adecuadamente conectado a tierra.

El cable de corriente de este electrodoméstico contiene un enchufe de 3 cables (conexión a tierra) que se conecta a un tomacorriente de pared estándar de 3 cables (conexión a tierra) para minimizar la posibilidad de riesgos de descargas eléctricas por parte del mismo.

Contrate a un electricista calificado para que controle el tomacorriente y el circuito eléctrico, a fin de asegurar que el enchufe esté correctamente conectado a tierra.

En caso de contar con un tomacorriente de pared de 2 cables, es su responsabilidad y obligación reemplazarlo por un tomacorriente de pared de 3 cables correctamente conectado a tierra. No use un adaptador.

El refrigerador debería estar siempre conectado a un enchufe específico con un índice de voltaje equivalente al que figura en su etiqueta de características técnicas.

Se requiere un suministro eléctrico con fusible y conexión a tierra de 115 voltios de CA, 60 Hz, 15 o 20 amperes. Esto garantiza el mejor funcionamiento y además previene la sobrecarga de los circuitos del hogar, lo cual podría ocasionar riesgos de incendio debido al recalentamiento de cables.

Nunca desenchufe el refrigerador tirando del cable de corriente. Siempre tome su enchufe firmemente y empuje el mismo hacia afuera para retirarlo.

Repáre o reemplace de inmediato todos los cables de corriente pelados o con cualquier tipo de daño. No use un cable con cortaduras o abrasión sobre su extensión o extremos.

Al alejar el refrigerador de la pared, se deberá tener cuidado de que no ruede sobre ni dañe el cable de corriente.

⚠ ADVERTENCIA

PELIGRO DE SUFFOCATION Y ENTRAPMENT

El incumplimiento de estas instrucciones de eliminación puede causar la muerte o lesiones graves.

IMPORTANTE: Que un niño quede atrapado o que sufra una asfixia no son problemas del pasado. Los refrigeradores antiguos o abandonados aún son peligrosos, incluso aunque se conserven por "sólo unos pocos días". Si se deshará de su antiguo refrigerador, siga las siguientes instrucciones a fin de evitar accidentes.

Antes de Descartar su Antiguo Aparato:

- Quite la puerta.
- Deje los cajones en su lugar así los niños no pueden meterse adentro con facilidad.

Cómo Eliminar Refrigerantes y Gomaespumas:

Descarte el electrodoméstico de acuerdo con las Regulaciones Federales y Locales. El material aislante inflamable usado requiere procedimientos de descarte especiales. Comuníquese con las autoridades locales para descartar su electrodoméstico de forma ambientalmente segura.

LEA Y GUARDE ESTAS INSTRUCCIONES

INFORMACIÓN IMPORTANTE DE SEGURIDAD

LEA TODAS LAS INSTRUCCIONES ANTES DE USAR

⚠️ ADVERTENCIA



RIESGO DE INCENDIO O EXPLOSIÓN Refrigerantes Inflamables

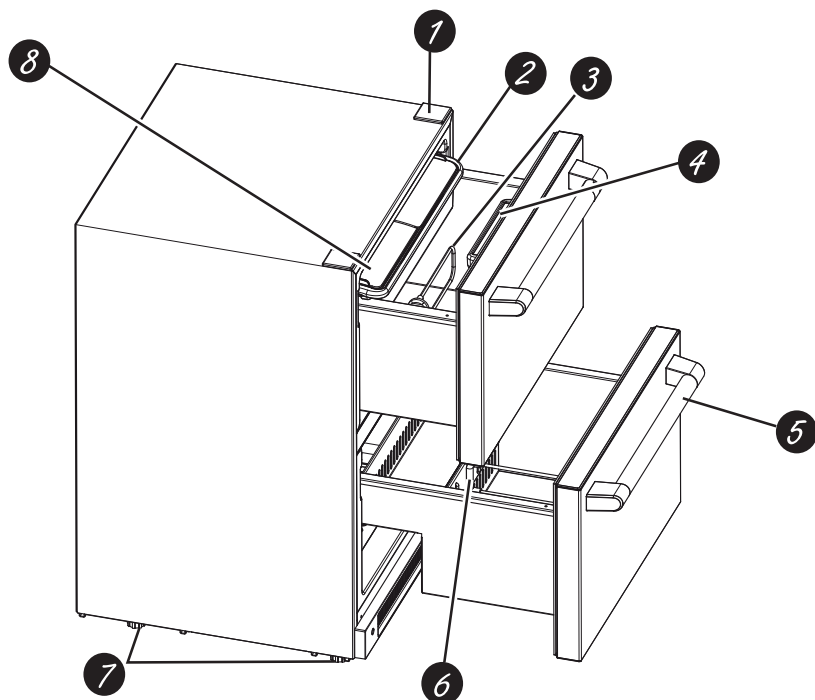
Este electrodoméstico cuenta con refrigerante isobutano, también conocido como R600a, un gas natural con alto nivel de compatibilidad medioambiental. Sin embargo, también es combustible. Siga las advertencias que figuran a continuación, a fin de reducir el riesgo de lesiones o daños sobre la propiedad.

1. Al mover, instalar y operar el electrodoméstico, se deberá tener cuidado de no dañar la tubería del refrigerante.
2. El servicio técnico sólo debe ser realizado por personal autorizado del servicio. Use sólo piezas del servicio autorizadas por el fabricante
3. Descarte el electrodoméstico de acuerdo con las Regulaciones Federales y Locales. El refrigerante inflamable y el material aislante inflamable usados requieren procedimientos de descarte especiales. Comuníquese con las autoridades locales para descartar su refrigerador de forma ambientalmente segura.
4. Mantenga las aberturas de ventilación en el espacio de protección del electrodoméstico o en la estructura incorporada libres de obstrucción.
5. A fin de eliminar la escarcha, raspe con una espátula o raspador de plástico o madera. No use un instrumento con pico de hielo, metal, o con forma puntiaguda, ya que esto podrá perforar el revestimiento del freezer y luego la tubería refrigerante inflamable detrás de éste.
6. No use dispositivos eléctricos dentro del compartimiento de almacenamiento de comida del electrodoméstico.
7. No use ningún dispositivo eléctrico para descongelar su refrigerador.

LEA Y GUARDE ESTAS INSTRUCCIONES

Usando el refrigerador

FUNCIONES

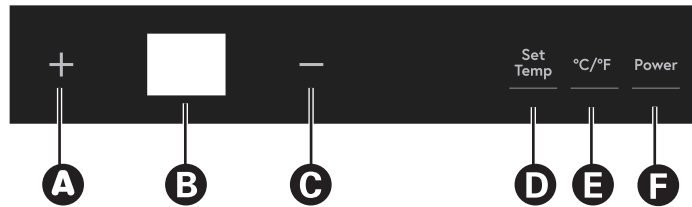


- 1 Cubierta del orificio
- 2 Cajón para verduras
- 3 Divisor del cajón superior
- 4 Panel de control
- 5 Manija
- 6 Divisor del cajón inferior
- 7 Patas niveladoras
- 8 Paquete de accesorios
(Soportes antivuelco y tornillos)

El refrigerador de doble cajón está diseñado para contener hasta 88,2 libras (40 kg) en total o 44,1 libras (20 kg) por cajón. El cajón superior guardará artículos de hasta 12" (30,5 cm) de altura. El cajón inferior está dividido por un escalón. Los artículos cuya altura supere las 12" (30,5 cm) se pueden guardar en esa parte sin escalón.

Usando el refrigerador

CONTROLES



- A** Subir temperatura
- B** Pantalla LED
- C** Bajar temperatura

- D** Configuración de Temperatura
- E** Conversión a °C/°F
- F** Interruptor de encendido

Ajuste de Temperatura

El rango de temperatura del refrigerador de doble cajón es de 34 °F a 45 °F (1,1 °C a 7,2 °C).

Si desea cambiar la temperatura, presione **Set Temp** durante 3 segundos. El control emitirá un pitido y la temperatura destellará en el panel de control. Ajuste la temperatura con los botones + y -. Cuando aparezca la temperatura deseada en la pantalla, presione **Set Temp** para confirmar. El control emitirá un pitido y la temperatura ya no destellará.

Conversión a °C y °F

Mantenga presionado **°C/°F** durante 3 segundos. La pantalla de la temperatura cambiará de grados Fahrenheit a grados Celsius. El control emitirá un pitido una vez.

Mantenga presionado **°C/°F** durante 3 segundos. La pantalla de la temperatura cambiará de grados Celsius a grados Fahrenheit. El control emitirá un pitido una vez.

Encendido/Apagado del Refrigerador de Doble Cajón

- Mantenga presionado **Power** (Encendido) durante 3 segundos para encender y apagar.

Apagado del doble cajón durante un largo período de tiempo:

- Apague el doble cajón y desenchúfelo del tomacorriente.
- Quite los alimentos y limpie el doble cajón.
- Deje los cajones entreabiertos para evitar olores.

Modo Sabbath (Día de Descanso)

Esta función está disponible para cumplir con determinadas fiestas religiosas. En el modo Sabbath (Día de descanso), el refrigerador de doble cajón continúa funcionando (compresor, válvula magnética, ventilador, calentador), pero todas luces, incluso la pantalla y las luces LED, estarán apagadas independientemente de si la puerta está abierta o cerrada.

Mantenga presionados los botones + y - al mismo tiempo durante 3 segundos. El control emitirá un pitido y, luego, la pantalla destellará 5 veces y se apagará para indicar que el doble cajón está en modo Sabbath (Día de descanso).

Mantenga presionados los botones + y - a la vez durante 3 segundos para apagar la función Modo Sabbath (Día de descanso). La pantalla destellará 5 veces para indicar la salida del modo Sabbath (Día de descanso).

Alarma de Puerta Entreabierta

Si un cajón queda entreabierto durante más de 3 minutos, el panel de control emitirá un pitido. Si desea detener la alarma sin cerrar el cajón, presione **Set Temp**.

Usando el refrigerador

CAJÓN PARA VERDURAS

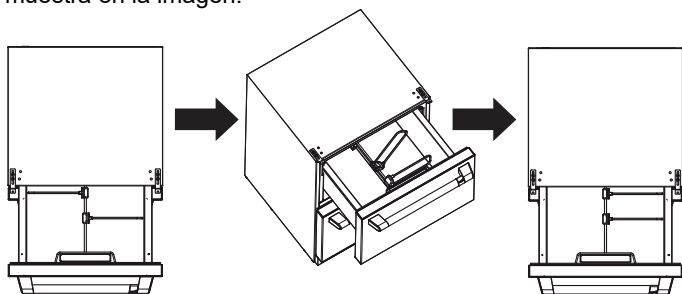
- El cajón para verduras es un lugar práctico para guardar verduras frescas.
- El cajón superior tiene un cajón para verduras con tapa.
- El cajón para verduras se puede quitar cuando no está en uso.

DIVISOR REGULABLE

Hay un divisor en cada cajón. Para mayor flexibilidad en el almacenamiento de los alimentos, puede regular o quitar los divisores.

Regulación del divisor en el compartimiento superior:

El cajón superior está separado por divisores sujetos al soporte del canasto. Los dos divisores se pueden regular de izquierda a derecha, o de la parte posterior hasta el frente como se muestra en la imagen.



Para limpiar el cajón con facilidad, puede quitar los divisores. Vea “Preparación del refrigerador de doble cajón”.

Regulación del divisor en el compartimiento inferior:

Para flexibilidad de almacenamiento, el divisor del cajón inferior se puede insertar entre cualquiera de las salientes de los paneles frontales y posteriores del cajón.

LUCES

IMPORTANTE: El refrigerador de doble cajón está equipado con luces LED. Estas luces se diseñaron para durar toda la vida útil de su refrigerador de doble cajón. Sin embargo, si las luces dejan de funcionar, llame a un técnico calificado para su reemplazo.

Hay una luz LED en la parte superior de los cajones superior e inferior. Las luces LED están controladas según la apertura o cierre del cajón. Cuando se abre un cajón, se enciende la luz LED. Cuando se cierra un cajón, se apaga la luz LED.

IMPORTANTE: Hay imanes colocados en el interior, sobre el lado izquierdo del cajón superior y en la base de la puerta del cajón inferior. No quite los imanes ya que son necesarios para el funcionamiento adecuado del sistema de luces.

Cuidado y Limpieza

LIMPIEZA

⚠️ ADVERTENCIA RIESGO DE INCENDIO O EXPLOSIÓN. Se usó un refrigerante inflamable.

A fin de eliminar la escarcha, raspe con una espátula o raspador de plástico o madera. No use un pico de hielo o un instrumento de metal con forma puntiaguda, ya que esto podrá perforar el revestimiento del freezer y luego la tubería refrigerante inflamable detrás de éste.

No use ningún dispositivo eléctrico para descongelar su refrigerador.

El refrigerador de doble cajón se descongela automáticamente. El agua de la pared posterior drena en el tanque de agua y es evaporada por el condensador.

IMPORTANTE: No use productos químicos fuertes, amoníaco, blanqueador con cloro, detergente concentrado, solventes o estropajos de metal o abrasivos para limpiar su producto por dentro o por fuera. Estos pueden dañar o decolorar el acabado.

⚠️ ADVERTENCIA Peligro de choque eléctrico

Desenchufe el aparato o desconecte el suministro de energía antes de limpiarlo.

No seguir esta instrucción puede ocasionar la muerte, choque eléctrico o daños personales.

General

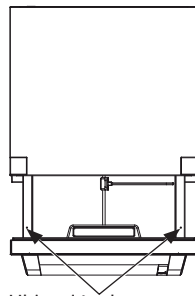
1. Desenchufe o desconecte el suministro de energía.
2. Lave las superficies interiores, los accesorios y el marco exterior con una solución de agua tibia mezclada con 3 a 4 cucharadas de bicarbonato de sodio.

NOTA: Antes de usar productos de limpieza, siempre lea y siga las instrucciones del fabricante y las advertencias para evitar lesiones físicas o daños al producto.

3. Enjuague con agua tibia limpia.
4. Seque bien con un paño suave.
5. Enchufe o vuelva a conectar el suministro de energía.
6. Limpie el orificio de drenaje con un material pequeño y suave, como un hisopo de algodón. Para acceder al orificio de drenaje, primero debe quitar el cajón inferior.

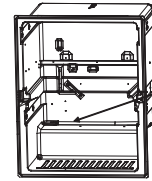
Para quitar el cajón inferior:

1. Deslice el cajón inferior por completo hacia fuera.
2. Utilice un destornillador para quitar los 2 tornillos que sujetan el cajón inferior a las guías.



Ubicación de los tornillos

3. Quite el cajón inferior.
4. Limpie el orificio de drenaje ilustrado a continuación con un material suave como un hisopo de algodón y, luego, coloque el cajón inferior según el procedimiento inverso que se describe anteriormente. drawer according to the reverse procedure as above.



Ubicación del orificio de drenaje

Juntas de la puerta

Las juntas deben mantenerse limpias y flexibles para asegurar un sellado adecuado.

- Limpie las juntas de la puerta cada 3 meses con una solución de bicarbonato de sodio y agua tibia.
- El petrolato ligeramente aplicado en el lado de las bisagras de las juntas mantendrá la junta flexible y asegurará un buen sellado.

VACACIONES Y MUDANZAS

Vacaciones

Si se ausentará durante un periodo largo de tiempo y no desea dejar el aparato encendido mientras no está, prepárelo para el lapso de su ausencia.

1. Retire los alimentos del congelador.
2. Mantenga presionada la tecla POWER (Encendido) sobre el panel de control durante 3 segundos para apagar la refrigeración.
3. Desenchufe o desconecte el suministro de energía.
4. Limpie el interior. Vea "Limpieza".
5. Limpie las juntas de la tapa/la puerta. Vea la sección "Limpieza".
6. Mantenga las cajón abiertas para que pueda circular aire adentro.

Mudanza

Si Ud. muda su refrigerador de doble cajón a una casa nueva, siga estos pasos para prepararse para la mudanza.

IMPORTANTE:

- Tenga cuidado al moverlo para evitar dañar el tubo refrigerante o aumentar el riesgo de fuga.
 - Cuando lo mueva, nunca incline el refrigerador de doble cajón en un ángulo superior a los 45°. Esto podría dañar el compresor y el sistema sellado.
1. Complete los pasos del 1 al 5 para prepararlo para las vacaciones. Vea "Vacaciones".
 2. Saque todas las piezas removibles, envuélvalas bien y asegúrelas con cinta adhesiva para que no se muevan ni se sacudan durante la mudanza.
 3. Pegue los cajones con cinta de modo que queden cerrados y pegue con cinta el cable de corriente en la parte trasera del refrigerador.

Instrucciones de Instalación

Refrigerador de Doble Cajón

¿Preguntas? Visite nuestro sitio web en: cafeappliances.com

En Canadá, visite nuestro sitio web en: cafeappliances.ca

ANTES DE COMENZAR

Lea estas instrucciones en su totalidad y atentamente.

- **IMPORTANTE** — Cumpla con todos los códigos y ordenanzas gubernamentales. Conserve estas instrucciones para uso del inspector local.
- **Nota para el Instalador** – Asegúrese de que el Consumidor conserve estas instrucciones.
- **Nota para el Comprador** – Conserve estas instrucciones para referencia futura.
- **Nivel de habilidad** – La instalación de este electrodoméstico requiere un nivel básico de habilidades mecánicas.
- **Tiempo de Instalación** – La instalación del refrigerador puede variar
- La correcta instalación del producto es responsabilidad del instalador.
- Si se producen fallas en el producto debido a una instalación inadecuada la Garantía no cubrirá las mismas.

REQUISITOS DE UBICACIÓN

IMPORTANTE: Este refrigerador de doble cajón solo se debe utilizar empotrado. Antes de usarlo, deberá estar correctamente instalado

NOTA: Deje que el refrigerador de doble cajón esté de pie sobre su base durante, al menos, una hora antes de la instalación.

- No instale el refrigerador donde la temperatura llegue a ser inferior a los 55 °F (13 °C), ya que no se activará con la frecuencia necesaria para mantener las temperaturas apropiadas.
- No instale el refrigerador donde la temperatura sea superior a los 110 °F (43 °C), ya que no funcionará de forma correcta.
- Instale el mismo en un piso lo suficientemente fuerte como para soportarlo completamente cargado.
- No instale el refrigerador en una ubicación expuesta al agua (lluvia, etc.) o en contacto directo con la luz solar.

⚠ ADVERTENCIA Peligro de Peso Excesivo

Con la ayuda de dos o más personas, mueva e instale el refrigerador de doble cajón.

No seguir esta instrucción puede ocasionar una lesión en la espalda u otro tipo de lesiones.

⚠ ADVERTENCIA Peligro de Cortaduras

Los bordes del armario a lo largo de las áreas de estampado/recortes podrían tener lo. Evite colocar las manos, los dedos u otras partes del cuerpo cerca de estas áreas.

No seguir esta instrucción puede ocasionar cortaduras.

HERRAMIENTAS NECESARIAS

- Destornillador Phillips
- Cinta de medir
- Nivel de carpintero

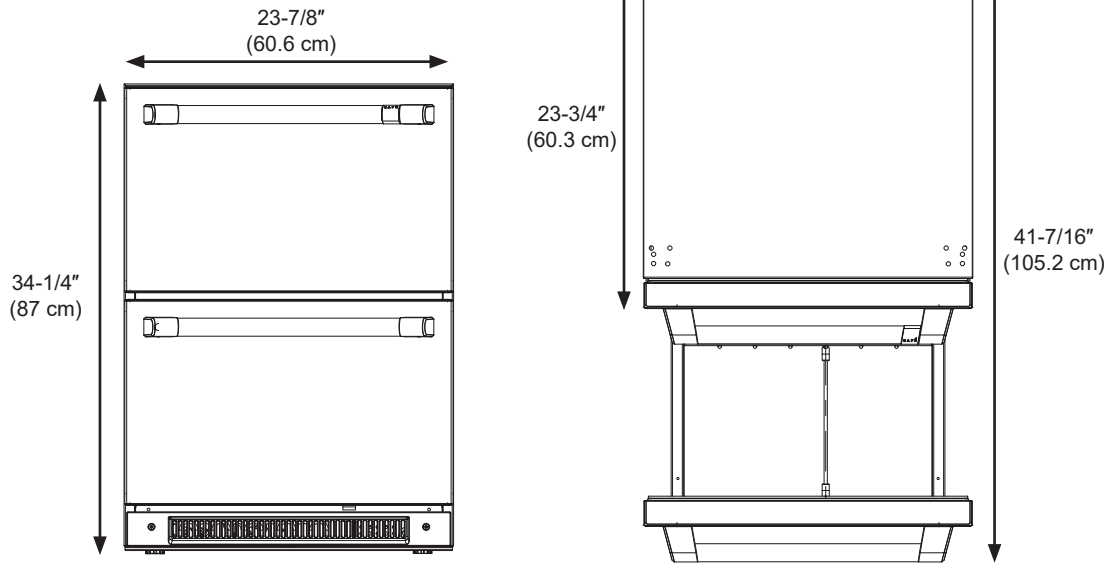
PIEZAS SUMINISTRADAS

- Soportes antivuelco
- Tornillos
- Llave Allen de 1/8"

IMPORTANTE: Tenga cuidado al mover el refrigerador de doble cajón para evitar dañar el tubo refrigerante o aumentar el riesgo de fuga.

IMPORTANTE: Cuando lo mueva, nunca incline el refrigerador de doble cajón en un ángulo superior a los 45°. Esto podría dañar el compresor y el sistema sellado. Si el refrigerador de doble cajón ha sido colocado en posición horizontal durante algún período de tiempo, espere una hora antes de enchufarlo para permitir que el refrigerante se asiente.

DIMENSIONES DEL REFRIGERADOR DE DOBLE CAJÓN



CÓMO QUITAR EL EMPAQUE

NOTA: Las manijas del cajón se incluyen en el embalaje que cubre la parte superior de la unidad. Se incluye una llave para la instalación de la manija en la bolsa de accesorios, ubicada en el cajón superior.

- Quite los restos de cinta y goma de las superficies de su refrigerador de doble cajón antes de encenderlo. Frote un poco de detergente líquido para vajilla sobre el adhesivo con los dedos. Limpie con agua tibia y seque.

NOTA: No use instrumentos filosos, alcohol isopropílico, líquidos inflamables o productos de limpieza abrasivos para eliminar los restos de cinta o goma. Estos productos pueden dañar la superficie de su refrigerador de doble cajón. Para obtener más información, vea "Seguridad del refrigerador de doble cajón".

- Deshágase de todos los materiales de empaque o recíclelos.

LIMPIEZA ANTES DEL USO

Una vez que usted haya quitado todos los materiales de empaque, limpie el interior del refrigerador de doble cajón antes de usarlo. Vea las instrucciones de limpieza en "Cuidado del refrigerador de doble cajón".

PREPARACIÓN DEL REFRIGERADOR DE DOBLE CAJÓN

1. Jale el cajón superior para abrirlo. Quite los cajones para verduras y déjelos a un lado.
2. Con las dos manos, levante la varilla divisora de metal del cajón para quitarla de las ranuras en la parte frontal y trasera del cajón.
3. Cuando haya quitado la varilla divisora de las ranuras, gire la varilla para colocarla a un ángulo frente al cajón. Levante la varilla lentamente y quitela del cajón para evitar golpear el panel de control y, luego, deje a un lado el ensamblaje del divisor.
4. Cierre el cajón superior para evitar daños durante la instalación.

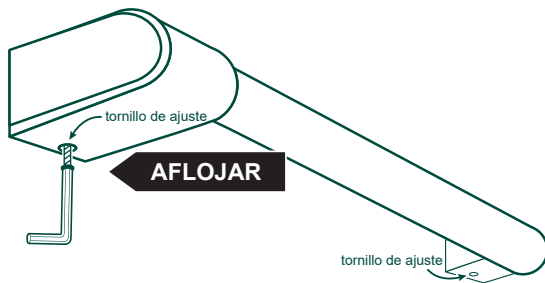
Instrucciones de Instalación

INSTALAR EL REFRIGERADOR

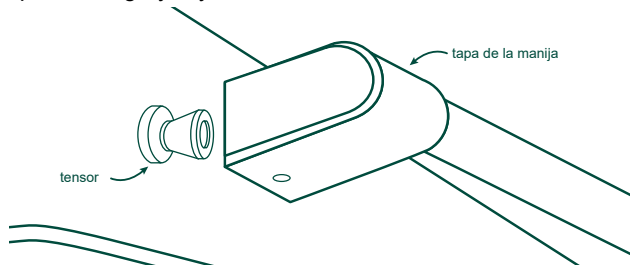
Retire toda la película protectora de las partes frontales del cajón antes de instalar las manijas.

INSTALACIÓN DE LAS MANIJAS

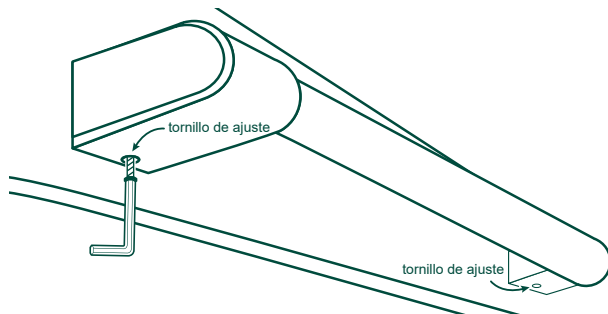
1. Retire la llave Allen para la manija de la bolsa de accesorios ubicada en el cajón superior.
2. Retire las manijas de la pieza superior del material de embalaje. La manija con la etiqueta se deberá ubicar en el cajón superior, y la manija sin etiqueta en el cajón inferior.
3. Afloje el tornillo de ajuste utilizando la llave Allen.



Coloque las tapas de la manija sobre los tensores de la puerta. Asegúrese de sostener la manija de modo tal que no caiga y raye el acabado del electrodoméstico.



Asegúrese de que ambas tapas de las manijas estén apoyadas sobre la base de la puerta.



4. Bloquee un extremo de la manija en su posición, ajustando el tornillo en la tapa de la manija con la llave Allen provista. NO ajuste en exceso.
5. Continúe sosteniendo la manija mientras bloquea el otro extremo de la manija en su posición, ajustando el tornillo en la tapa de la manija. NO ajuste en exceso.

Repita estas instrucciones sobre la segunda manija.

⚠️ ADVERTENCIA RIESGO DE CAÍDAS

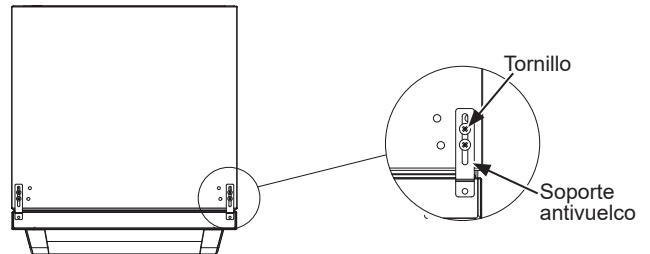


Estos electrodomésticos son inestables, especialmente cuando una puerta se encuentre abierta, y deben estar asegurados a fin de evitar caídas hacia adelante que podrían resultar en la muerte o en lesiones graves. Lea y siga las instrucciones de instalación en su totalidad para asegurar el electrodoméstico con el sistema anti volcaduras.

MÉTODO 1: INSTALACIÓN EN EL MOSTRADOR

Coloque los soportes antivuelco

1. Quite las cubiertas de los orificios de la parte superior del armario para dejar al descubierto los orificios que utilizará para instalar los soportes antivuelco.
2. Abra el cajón superior y déjelo abierto para instalar el soportes antivuelco.
3. Quite los soportes antivuelco y los tornillos de la bolsa de accesorios.
4. Con los tornillos provistos, ajuste los soportes anti volcaduras a ambos lados de la parte superior del gabinete.



Nivele el refrigerador de doble cajón

Podría ser necesario ajustar las patas niveladoras debajo del doble cajón para que encajen correctamente en la abertura del armario.

1. Suba o baje las patas niveladoras traseras para ajustar la altura de la parte posterior del doble cajón y, luego, comience a deslizar el doble cajón en la abertura debajo del mostrador.
2. Levante o baje las patas niveladoras para ajustar el frente del doble cajón hasta que encaje debajo del mostrador, con espacio suficiente para instalar el soporte antivuelco en el lado de abajo del mostrador.
3. Levante las patas niveladoras delanteras hasta que el soporte antivuelco esté alineado con el lado de abajo del mostrador.
4. Instale el refrigerador de doble cajón en el mostrador.

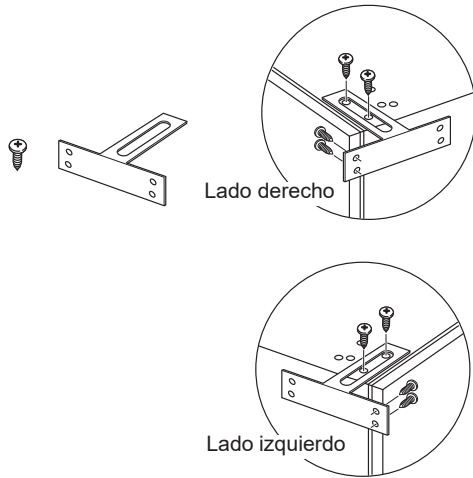
Instrucciones de Instalación

INSTALAR EL REFRIGERADOR (Cont.)

MÉTODO 2: INSTALACIÓN EN LOS ARMARIOS ADYACENTES

Coloque los soportes antivuelco

1. Quite las cubiertas de los orificios de la parte superior del armario para dejar al descubierto los orificios que utilizará para instalar los soportes antivuelco.
2. Abra el cajón superior y déjelo abierto para instalar los soportes antivuelco.
3. Quite los soportes antivuelco y los tornillos de la bolsa de accesorios.
4. Con los tornillos provistos, sujete el soporte antivuelco a cada lado de la parte superior del armario.



Nivele el refrigerador de doble cajón

Podría ser necesario ajustar las patas niveladoras debajo del doble cajón para que encajen correctamente en la abertura del armario.

1. Suba o baje las patas niveladoras traseras para ajustar la altura de la parte posterior del doble cajón y, luego, comience a deslizar el doble cajón en la abertura debajo del mostrador.
2. Levante o baje las patas niveladoras para ajustar el frente del doble cajón hasta que encaje debajo del mostrador.
3. Instale el refrigerador de doble cajón en los armarios.

COMPLETE LA INSTALACIÓN

⚠ ADVERTENCIA  **PELIGRO DE CHOQUE ELÉCTRICO**

Conecte a un contacto de pared de conexión a tierra de 3 terminales.

No quite el terminal de conexión a tierra del cable de alimentación.

No use un adaptador.

No use un cable eléctrico de extensión.

No seguir estas instrucciones puede ocasionar la muerte, incendio o choque eléctrico.

- Conecte a un contacto de pared de conexión a tierra de 3 terminales.

CÓMO VOLVER A INSTALAR O USAR EL REFRIGERADOR DE DOBLE CAJÓN NUEVAMENTE

IMPORTANTE: Si el refrigerador de doble cajón ha sido colocado en posición horizontal o se ha inclinado durante algún período de tiempo, espere una hora antes de enchufarlo para permitir que el refrigerante se asiente.

1. Limpie el refrigerador de doble cajón. Vea "Limpieza".
2. Coloque el refrigerador de doble cajón en la ubicación deseada y nivélelo. Vea "Instrucciones de instalación".

⚠ ADVERTENCIA  **PELIGRO DE CHOQUE ELÉCTRICO**

Conecte a un contacto de pared de conexión a tierra de 3 terminales.

No quite el terminal de conexión a tierra del cable de alimentación.

No use un adaptador.

No use un cable eléctrico de extensión.

No seguir estas instrucciones puede ocasionar la muerte, incendio o choque eléctrico.

3. Conecte a un contacto de pared de conexión a tierra de 3 terminales.

Consejos para la Solución de Problemas... Antes de solicitar el servicio técnico

¡Ahorre tiempo y dinero! Primero revise los cuadros que aparecen en las siguientes páginas y es posible que no necesite solicitar reparaciones.

| Problema | Causas Posibles | Qué Hacer |
|---|--|---|
| El refrigerador de doble cajón no funciona. | El refrigerador de doble cajón está desenchufado. | Enchufe el cable de suministro de energía en la fuente de energía. |
| | Se ha disparado o e ha apagado el cortacircuitos/Se ha quemado un fusible. | Reemplace/Encienda el cortacircuitos o cambie el fusible. |
| El compresor del refrigerador de doble cajón funciona con frecuencia o durante largos periodos de tiempo. | Es normal cuando se enchufa por primera vez. | Deje transcurrir 24 horas para que el refrigerador de doble cajón se enfríe por completo. |
| | Se han agregado alimentos tibios o una gran cantidad de alimentos. | Esto es normal. |
| | La puerta queda entreabierta. | Asegúrese de que la puerta no queda abierta a causa de un artículo. |
| | Hace calor o se abre con frecuencia. | Esto es normal para mantener la temperatura constante en los días calurosos y húmedos. |
| | La junta no sella correctamente. | Limpie la junta. |
| El refrigerador de doble cajón tiene olor. | Los alimentos no están sellados o envasados correctamente. | Vuelva a sellar los envases. Coloque una caja abierta con bicarbonato de sodio en el refrigerador de doble cajón y cámbielo cada 3 meses. |
| | Debe limpiar el interior. | Limpie el interior. Vea "Limpieza". |
| | Se han guardado los alimentos por mucho tiempo. | Deseche los alimentos que se han echado a perder. |
| La luz no se enciende. | El refrigerador de doble cajón está desenchufado. | Enchúfelo en la fuente de energía. |
| | La luz LED está quemada. | Llame a un técnico calificado para cambiar la luz LED quemada. |
| Los cajones no cierran correctamente | El refrigerador de doble cajón no está nivelado. | Vea "Nivelación". |
| | Algo está obstruyendo el cierre de la puerta. | Verifique y quite las obstrucciones, por ejemplo, botellas, alimentos, derrames, etc. |
| Vibración o traqueteo. | El refrigerador de doble cajón no está apoyado firmemente en el suelo. | Vea "Nivelación". |
| Sonidos normales. | Se escucha un sonido como si fluyera agua del refrigerador de doble cajón. | El refrigerante que fluye por las líneas hace este sonido cuando se enciende y se apaga el compresor. |
| | | El refrigerador de dos cajones cuenta con un sistema de descongelación automática. El sonido es ocasionado por el agua descongelada. |
| | Zumbidos o chirridos. | Este sonido es ocasionado por el compresor y los ventiladores. Si el refrigerador de doble cajón no está nivelado, el sonido será más fuerte. |
| | Crujidos o chasquidos. | Este sonido es ocasionado por las piezas interiores cuando se contraen y se expanden en respuesta a los cambios de temperatura. |
| TEMPERATURA Y HUMEDAD | | |
| El refrigerador de doble cajón está demasiado caliente. | El control de temperatura no está en un ajuste suficientemente bajo. | Fije la temperatura a un ajuste más frío; espere 24 horas para que se ajuste la temperatura. |
| | Las puertas se abren con frecuencia o quedan abiertas. | Fije la temperatura a un ajuste más frío; espere 24 horas para que se ajuste la temperatura. |
| | Se agregaron alimentos calientes recientemente. | Deje transcurrir un rato para que se enfríen los alimentos y el refrigerador de doble cajón. |
| | La junta no sella correctamente. | Limpie la junta. |
| El refrigerador de doble cajón está demasiado frío. | El control de temperatura se fijó en un ajuste demasiado bajo. | Fije la temperatura en el compartimiento en el próximo ajuste más cálido; espere 24 horas para que se ajuste. |
| Humedad en el exterior/ interior del refrigerador de doble cajón. | Humedad elevada. | Esto es normal. Seque la superficie y fije la temperatura en un ajuste ligeramente más frío. |
| | Las puertas se abren con frecuencia o quedan abiertas. | Mantenga la puerta cerrada. Verifique que no haya un paquete que evite que se cierre la puerta. |
| | La junta no sella correctamente. | Limpie la junta. |

Café Garantía Limitada del Refrigerador

GARANTÍA LIMITADA

cafeappliances.com

Todo el servicio de garantía es provisto por nuestros Centros de Servicio de Fabricación, o un técnico autorizado de o un técnico autorizado de servicio. Para programar una visita del servicio técnico, visítenos en cafeappliances.com/service. Cuando llame para solicitar el servicio, tenga los números de serie y modelo disponibles. En Canadá, visite cafeappliances.ca/service.

| | |
|---|---|
| Por el Periodo de: | Café Reemplazará |
| Un Año Desde la fecha de la compra original | Cualquier parte del refrigerador que falle debido a un defecto en los materiales o la fabricación. Durante esta garantía limitada de un año , Café también proveerá, sin costo , todo el trabajo y el servicio relacionado con el reemplazo de la parte que presente defectos. |

Qué No Está Cubierto:

- Viajes del técnico del servicio a su hogar para enseñarle sobre cómo usar el producto.
- Instalación, entrega o mantenimiento inadecuados.
- Fallas del producto en caso de abuso, mal uso, o uso para propósitos diferentes al original o uso comercial.
- Pérdida de alimentos por mal estado.
- Reemplazo de fusibles de la casa o reinicio de disyuntores.
- Daños sobre el acabado, tales como óxido sobre la superficie, deslustres o manchas pequeñas no informadas dentro de las 48 horas luego de la entrega.
- Reemplazo de bombillas de luz, si se incluyen, o del cartucho del filtro de agua, si se incluye, a diferencia de lo detallado anteriormente.
- Daños ocasionados sobre el producto por accidente, incendio, inundaciones o catástrofes naturales.
- Daños consecuentes o incidentales causados por posibles defectos de este producto.
- Producto no accesible para brindar el servicio requerido.

EXCLUSIÓN DE GARANTÍAS IMPLÍCITAS—Su única y exclusiva alternativa es la reparación del producto, como se indica en la Garantía Limitada. Las garantías implícitas, incluyendo garantías implícitas de comerciabilidad o conveniencia sobre un propósito particular, se limitan a un año o al período más corto permitido por la ley.

Esta garantía limitada se extiende al comprador original y a cualquier dueño subsiguiente de productos comprados para uso hogareño dentro de EE.UU. Si el producto está en un área donde no se encuentra disponible un Proveedor Autorizado del Servicio Técnico de Café, usted será responsable por el costo de un viaje o se podrá requerir que traiga el producto a una ubicación del Servicio Técnico de Café Autorizado para recibir el servicio. En Alaska, la garantía limitada excluye el costo de envío o llamadas del servicio a su hogar. Algunos estados no permiten la exclusión o limitación de daños fortuitos o consecuentes. Esta garantía limitada le da derechos legales específicos y es posible que tenga otros derechos legales que varían entre un estado y otro. Para conocer cuáles son sus derechos legales, consulte a la oficina de asuntos del consumidor local o estatal o al Fiscal de su estado.

Warrantor: GE Appliances, a Haier company
Louisville, KY 40225

Para Clientes en Canadá: Esta garantía limitada se extiende al comprador original y a cualquier dueño subsiguiente de productos comprados para uso hogareño dentro de Canadá. El servicio técnico hogareño de la garantía será brindado en áreas donde Mabe se encuentre disponible y lo considere apropiado.

Garante en Canadá: MC Commercial, Inc., Burlington, Ontario, L7R 5B6

Abroche su recibo aquí. Para acceder al servicio técnico de acuerdo con la garantía deberá contar con la prueba de la fecha original de compra.

Soporte para el Consumidor

Sitio Web de Café

¿Desea realizar una consulta o necesita ayuda con su electrodoméstico? ¡Intente a través del Sitio Web de Café las 24 horas del día, cualquier día del año! Usted también puede comprar más electrodomésticos maravillosos de CAFÉ y aprovechar todos nuestros servicios de soporte a través de Internet, diseñados para su conveniencia.
En EE.UU.: cafeappliances.com

Registre su Electrodoméstico

¡Registre su electrodoméstico nuevo a través de Internet, según su conveniencia! Un registro puntual de su producto permitirá una mejor comunicación y un servicio más puntual de acuerdo con los términos de su garantía, en caso de surgir la necesidad. También puede enviar una carta en la tarjeta de inscripción preimpresa que se incluye con el material embalado.
En EE.UU.: cafeappliances.com/register

Servicio Programado

El servicio de reparación de expertos de Café está a sólo un paso de su puerta. Conéctese a través de Internet y programe su servicio a su conveniencia cualquier día del año. En EE.UU.: cafeappliances.com/service

Garantías Extendidas

Adquiera una garantía extendida deCafé y conozca los descuentos especiales que están disponibles mientras su garantía aún está vigente. La puede adquirir en cualquier momento a través de Internet. Los servicios de Café aún estarán allí cuando su garantía caduque.
En EE.UU.: cafeappliances.com/extended-warranty

Piezas y Accesorios

Aquellos individuos calificados para realizar el servicio técnico de sus propios electrodomésticos podrán solicitar el envío de piezas o accesorios directamente a sus hogares (se aceptan las tarjetas VISA, MasterCard y Discover). Ordene hoy a través de Internet durante las 24 horas, todos los días. En EE.UU.: cafeappliances.com.

Las instrucciones que figuran en este manual cubren los procedimientos que serán realizados por cualquier usuario. Otros servicios técnicos generalmente deben ser derivados a personal calificado del servicio. Se deberá tener cuidado, ya que una reparación indebida podrá hacer que el funcionamiento no sea seguro.

Contáctenos

Si no se encuentra satisfecho con el servicio que recibió de Café, comuníquese con nosotros a través de nuestro sitio Web con todos los detalles, incluyendo su número telefónico, o escriba a:

En EE.UU.: General Manager, Customer Relations | GE Appliances, Appliance Park | Louisville, KY 40225
GEAppliances.com/contact