



INSTALLATION INSTRUCTIONS

COMMERCIAL STACKED WASHER/
DRYER GAS OR ELECTRIC

INSTRUCTIONS D'INSTALLATION

LAVEUSE/SÉCHEUSE COMMERCIALE SUPERPOSÉES
(GAZ OU ÉLECTRIQUE)

INSTRUCCIONES DE INSTALACIÓN

LAVADORA/SECADORA APILABLE COMERCIAL
A GAS O ELÉCTRICA

TABLE OF CONTENTS

STACKED WASHER/DRYER SAFETY.....	2
TOOLS & PARTS	5
ALTERNATE PARTS AND ACCESSORIES.....	6
DIMENSIONS/CLEARANCES	7
STACKED WASHER/GAS DRYER INSTALLATION REQUIREMENTS.....	8
STACKED WASHER/ELECTRIC DRYER INSTALLATION REQUIREMENTS	10
DRYER VENTING REQUIREMENTS.....	12
DRYER GAS SUPPLY REQUIREMENTS	14
INSTALLING STACKED WASHER/ DRYER	15
WASHER DRAIN SYSTEM.....	18
ELECTRIC DRYER ELECTRICAL CONNECTIONS.....	18
LEVELING.....	24
COMPLETE INSTALLATION.....	24
REVERSING DRYER DOOR SWING (OPTIONAL).....	24
STACKED WASHER/DRYER MAINTENANCE INSTRUCTIONS.....	27
IF YOU NEED ASSISTANCE.....	28
ELECTRONIC CONTROL SETUP INSTRUCTIONS	28

TABLE DES MATIÈRES

SÉCURITÉ DE LA LAVEUSE/ SÉCHEUSE SUPERPOSÉES.....	33
OUTILS ET PIÈCES.....	36
PIÈCES SUPPLÉMENTAIRES ET ACCESSOIRES.....	37
DIMENSIONS/DISTANCES DE DÉGAGEMENT	38
CRITÈRES D'INSTALLATION POUR LA LAVEUSE/SÉCHEUSE À GAZ SUPERPOSÉES	39
CRITÈRES D'INSTALLATION POUR LA LAVEUSE/SÉCHEUSE ÉLECTRIQUES SUPERPOSÉES	41
EXIGENCES CONCERNANT L'ÉVACUATION DE LA SÉCHEUSE	43
SPÉCIFICATIONS DE L'ALIMENTATION DE LA SÉCHEUSE À GAZ.....	45
INSTALLATION DE LA LAVEUSE/ SÉCHEUSE SUPERPOSÉES	46
SYSTÈME DE VIDANGE DE LA LAVEUSE	49
RACCORDEMENTS DE LA SÉCHEUSE ÉLECTRIQUE.....	49
NIVELLEMENT	55
FIN DE L'INSTALLATION	55
INVERSION DU SENS D'OUVERTURE DE LA PORTE DE LA SÉCHEUSE (OPTIONNEL)	56
INSTRUCTIONS D'ENTRETIEN DE LA LAVEUSE/SÉCHEUSE SUPERPOSÉES.....	58
EN CAS DE BESOIN D'ASSISTANCE	59
INSTRUCTIONS DE CONFIGURATION DES OMMANDES ÉLECTRONIQUES.....	59

TABLA DE CONTENIDOS

SEGURIDAD DE LA LAVADORA/ SECADORA APILABLE.....	65
HERRAMIENTAS Y PIEZAS.....	68
PIEZAS Y ACCESORIOS ADICIONALES	69
DIMENSIONES/ESPACIOS LIBRES.....	70
REQUISITOS DE INSTALACIÓN DE LA LAVADORA/SECADORA A GAS APILABLE	71
REQUISITOS DE INSTALACIÓN DE LA LAVADORA/SECADORA ELÉCTRICA APILABLE.....	73
REQUISITOS DE VENTILACIÓN DE LA SECADORA.....	75
REQUISITOS DEL SUMINISTRO DE GAS DE LA SECADORA	77
INSTALACIÓN DE LA LAVADORA/ SECADORA APILABLE.....	78
SISTEMA DE DESAGOTE DE LA LAVADORA	81
CONEXIONES ELÉCTRICAS DE LA SECADORA ELÉCTRICA	81
NIVELACIÓN	87
INSTALACIÓN COMPLETA	87
CAMBIO DE SENTIDO DE LA ABERTURA DE LA PUERTA (OPCIONAL)	88
INSTRUCCIONES DE MANTENIMIENTO DE LA LAVADORA/SECADORA APILABLE.....	90
SI NECESITA ASISTENCIA.....	91
INSTRUCCIONES DE PROGRAMACIÓN DEL CONTROL ELECTRÓNICO	91

STACKED WASHER/DRYER SAFETY

Your safety and the safety of others are very important.

We have provided many important safety messages in this manual and on your appliance. Always read and obey all safety messages.



This is the safety alert symbol.

This symbol alerts you to potential hazards that can kill or hurt you and others.

All safety messages will follow the safety alert symbol and either the word “DANGER” or “WARNING.”

These words mean:

⚠ DANGER

You can be killed or seriously injured if you don't immediately follow instructions.

⚠ WARNING

You can be killed or seriously injured if you don't follow instructions.

All safety messages will tell you what the potential hazard is, tell you how to reduce the chance of injury, and tell you what can happen if the instructions are not followed.



WARNING - “Risk of Fire”

- Clothes dryer installation must be performed by a qualified installer.
- Install the clothes dryer according to the manufacturer's instructions and local codes.
- Do not install a clothes dryer with flexible plastic venting materials or flexible metal (foil type) duct. If flexible metal duct is installed, it must be of a specific type identified by the appliance manufacturer as suitable for use with clothes dryers. Flexible venting materials are known to collapse, be easily crushed, and trap lint. These conditions will obstruct clothes dryer airflow and increase the risk of fire.
- To reduce the risk of severe injury or death, follow all installation instructions.
- Save these instructions.

⚠ WARNING

Fire Hazard

Failure to follow safety warnings exactly could result in serious injury, death, or property damage.

Do not install a booster fan in the exhaust duct.

Install all clothes dryers in accordance with the installation instructions of the manufacturer of the dryer.

- It is recommended that the owner post, in a prominent location, instructions for the customer's use in the event the customer smells gas. This information should be obtained from your gas supplier.
- Post the following warning in a prominent location.

FOR YOUR SAFETY

Do not store or use gasoline or other flammable vapors and liquids in the vicinity of this or any other appliance.

 **WARNING:**

FIRE OR EXPLOSION HAZARD

Failure to follow safety warnings exactly could result in serious injury, death, or property damage.

- Do not store or use gasoline or other flammable vapors and liquids in the vicinity of this or any other appliance.
- **WHAT TO DO IF YOU SMELL GAS:**
 - Do not try to light any appliance.
 - Do not touch any electrical switch; do not use any phone in your building.
 - Clear the room, building, or area of all occupants.
 - Immediately call your gas supplier from a neighbor's phone. Follow the gas supplier's instructions.
 - If you cannot reach your gas supplier, call the fire department.
- Installation and service must be performed by a qualified installer, service agency, or the gas supplier.

WARNING: Gas leaks cannot always be detected by smell.

Gas suppliers recommend that you use a gas detector approved by UL or CSA.

For more information, contact your gas supplier.

If a gas leak is detected, follow the "What to do if you smell gas" instructions.

In the State of Massachusetts, the following installation instructions apply:

- Installations and repairs must be performed by a qualified or licensed contractor, plumber, or gas fitter qualified or licensed by the State of Massachusetts.
- Acceptable Shut-off Devices: Gas Cocks and Ball Valves installed for use shall be listed.
- A flexible gas connector, when used, must not exceed 4 feet (121.9 cm).

IMPORTANT: The gas installation must conform with local codes, or in the absence of local codes, with the National Fuel Gas Code, ANSI Z223.1/NFPA 54, or the Natural Gas and Propane Installation Code, CSA B149.1.

The dryer must be electrically grounded in accordance with local codes, or in the absence of local codes, with the National Electrical Code, ANSI/NFPA 70, or the Canadian Electrical Code, Part 1, CSA C22.1.

IMPORTANT SAFETY INSTRUCTIONS

When discarding or storing your old clothes dryer, remove the door.

SAVE THESE INSTRUCTIONS

IMPORTANT SAFETY INSTRUCTIONS

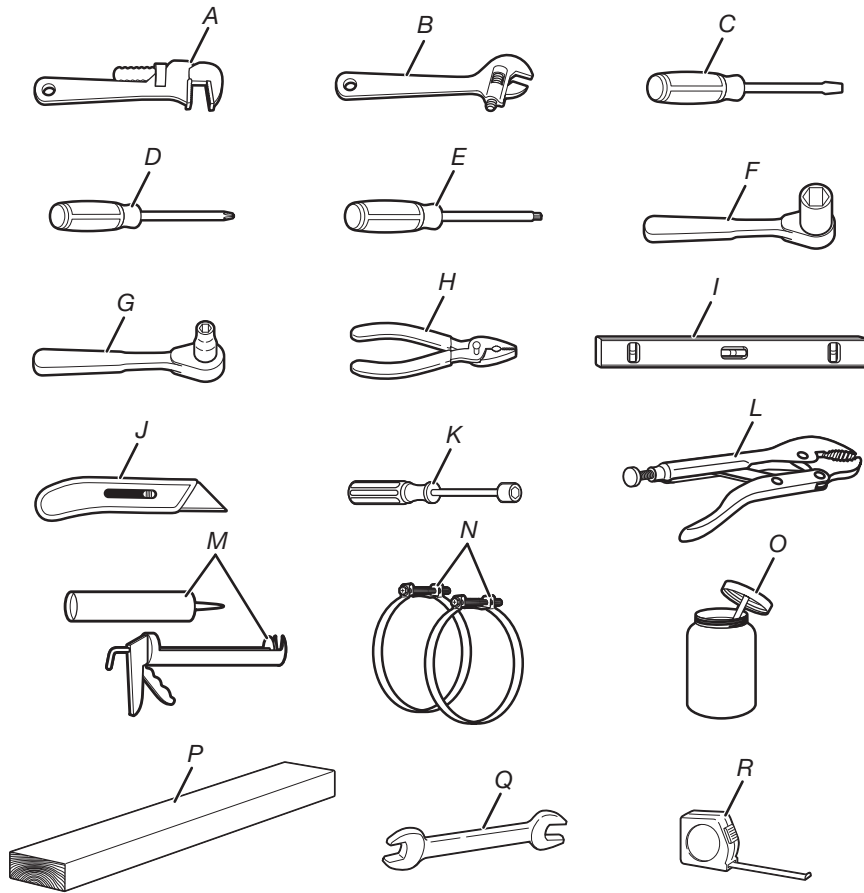
WARNING: To reduce the risk of fire, electric shock, or injury to persons when using the washer/dryer, follow basic precautions, including the following:

- Read all instructions before using the washer/dryer.
- Do not place items exposed to cooking oils in your dryer. Items contaminated with cooking oils may contribute to a chemical reaction that could cause a load to catch fire. To reduce the risk of fire due to contaminated loads, the final part of a tumble dryer cycle occurs without heat (cool down period). Avoid stopping a tumble dryer before the end of the drying cycle unless all items are quickly removed and spread out so that the heat is dissipated.
- Do not wash or dry articles that have been previously cleaned in, washed in, soaked in, or spotted with gasoline, dry-cleaning solvents, other flammable, or explosive substances as they give off vapors that could ignite or explode.
- Do not add gasoline, dry-cleaning solvents, or other flammable, or explosive substances to the wash water. These substances give off vapors that could ignite or explode.
- Risk of Suffocation and Injury from Entrapment: Do not allow children to play on or in the appliance. Close supervision of children is necessary when the appliance is used near children.
- Before the washer/dryer is removed from service or discarded, remove the doors to the washer/dryer compartments.
- Do not reach into the washer/dryer if the tub, agitator or drum is moving.
- Do not install or store the washer/dryer where it will be exposed to water and/or the weather.
- Do not tamper with controls.
- Clean dryer lint screen before or after each load.
- Do not use replacement parts that have not been recommended by the manufacturer (e.g. parts made at home using a 3D printer).
- Under certain conditions, hydrogen gas may be produced in a hot water system that has not been used for 2 weeks or more. **HYDROGEN GAS IS EXPLOSIVE.** If the hot water system has not been used for such a period, before using the washing machine, turn on all hot water faucets and let the water flow from each for several minutes. This will release any accumulated hydrogen gas. As the gas is flammable, do not smoke or use an open flame during this time.
- Do not repair or replace any part of the washer/dryer or attempt any servicing unless specifically recommended in this Use and Care Guide or in published user-repair instructions that you understand and have the skills to carry out.
- Do not use fabric softeners or products to eliminate static unless recommended by the manufacturer of the fabric softener or product.
- Do not use heat to dry articles containing foam rubber or similarly textured rubber-like materials.
- Keep area around the exhaust opening and adjacent surrounding areas free from the accumulation of lint, dust, and dirt.
- The interior of the machine and dryer exhaust vent should be cleaned periodically by qualified service personnel.
- See Installation Instruction for grounding instructions.
- **WARNING:** Risk of Fire. Do not install a booster fan in the exhaust duct.
NOTE: The booster fan warning does not apply to clothes dryers intended to be installed in a multiple clothes dryer system, with an engineered exhaust duct system that is installed per the clothes dryer manufacturer's guidelines.

SAVE THESE INSTRUCTIONS

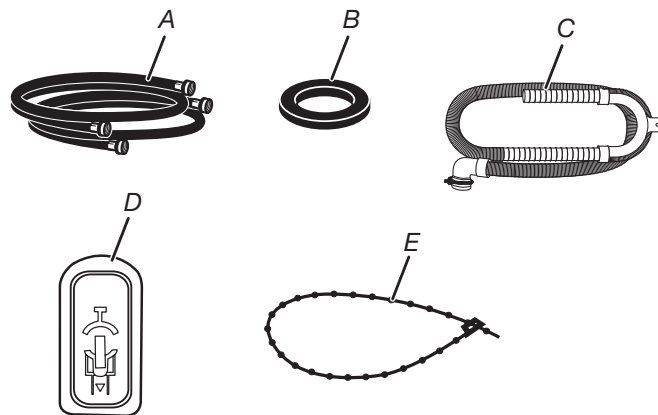
TOOLS & PARTS

Tools Needed:



- A. 8" (200 mm) or 10" (250 mm) Pipe Wrench
- B. 8" (200 mm) or 10" (250 mm) Adjustable Wrench that opens to 1" (25 mm)
- C. Flat-Blade Screwdriver
- D. Phillips Screwdriver
- E. TORX[†] T20 Security Screwdriver or Bit
- F. 1" (25 mm) Hex-Head Socket Wrench
- G. 5/16" (8 mm) Socket Wrench
- H. Pliers that open to 1⁹/₁₆" (39 mm)
- I. Level
- J. Utility Knife
- K. 1/4" (6 mm) Nut Driver
- L. Locking Pliers
- M. Caulk Gun and Caulk (for installing new exhaust vent)
- N. Vent Clamps
- O. Pipe-Joint Compound Suitable for Gas Type
- P. 27" (686 mm) Wood Block
- Q. 1/2" (13 mm) and 9/16" (14 mm) Open-End Wrenches
- R. Ruler or Measuring Tape

Parts Supplied:



- A. Water Inlet Hoses (2)
- B. Inlet Hose Washers (4)
- C. Drain hose with clamp, U-form
- D. Transit Bolt Hole Plug (4)
- E. Beaded Tie Strap

[†]TORX is a trademark of Acument Intellectual Properties, LLC.

ALTERNATE PARTS AND ACCESSORIES

Alternate Parts

Your installation may require additional parts. If you are interested in purchasing one of the items listed here, call the toll-free number in the "If You Need Assistance" section.

If You Have:	You Will Need to Buy:
Overhead sewer	Standard 20 gallons (76 L) 39" (990 mm) tall drain tub or utility sink, sump pump, and connectors (available from local plumbing suppliers)
1" (25 mm) standpipe	2" (51 mm) diameter to 1" (25 mm) diameter Standpipe Adapter, Part Number 3363920 Connector Kit Part Number 285835
Drain hose too short	Extension Drain Hose, Part Number DRNEXT4 Connector Kit Part Number 285835
Lint clogged Drain	Drain Protector, Part Number 367031 Connector Kit Part Number 285835
Floor drain system	Siphon break, Part Number 285834 Connector Kit (x2) Part Number 285835 Extension Drain Hose, Part Number 285863
Water faucets beyond reach of fill hoses	2 longer water fill hoses: 6 ft (1.8 m) 90° bend hose, Part Number 76314 10 ft (3.0 m), Part Number 350008

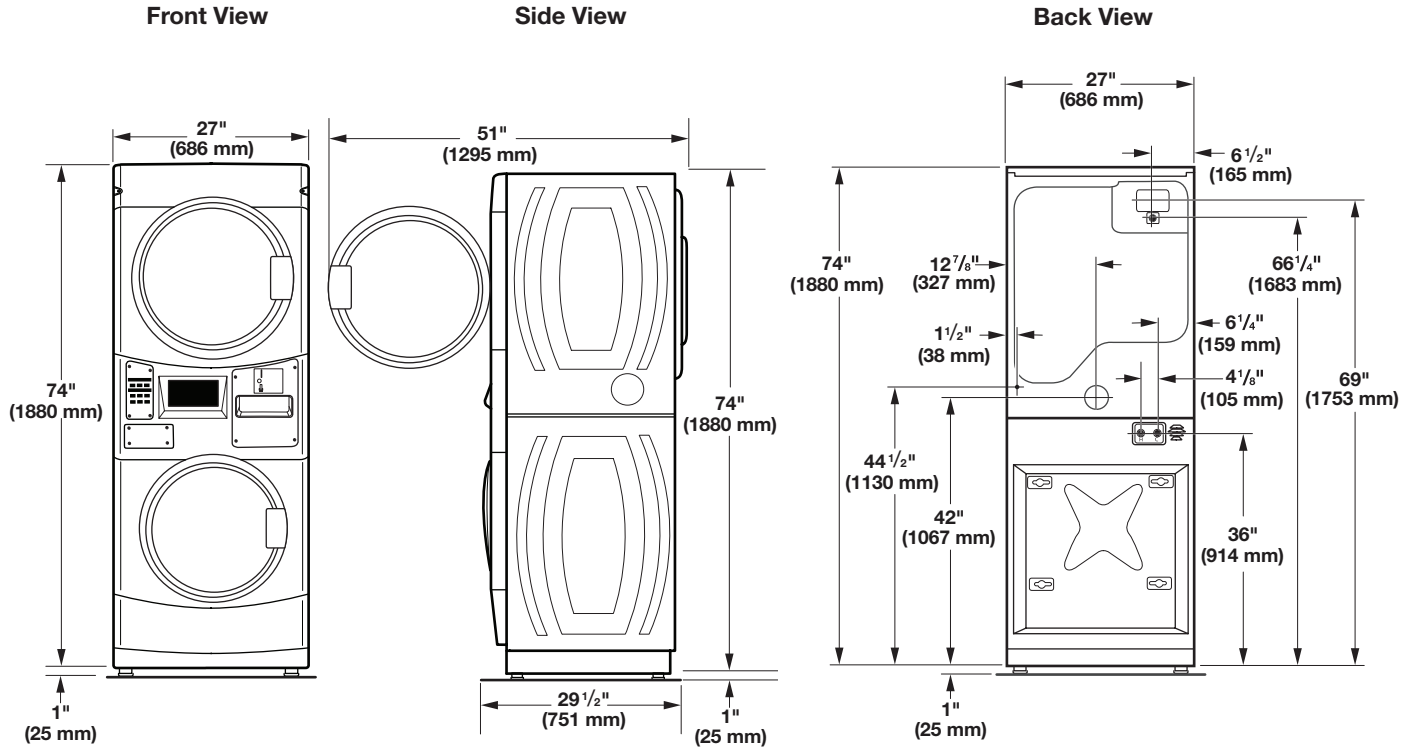
Accessories

Enhance your washer/dryer with these premium accessories.
For more high-quality items or to order,
call **1-866-698-2538** or visit us at
www.whirlpool.com/accessories.

Part Number	Accessory
8212526	Washer drip tray, fits under all
31682	All-purpose appliance cleaner
1903WH	Laundry supply storage cart
279818	3-way dryer venting kit
285834	Siphon break kit

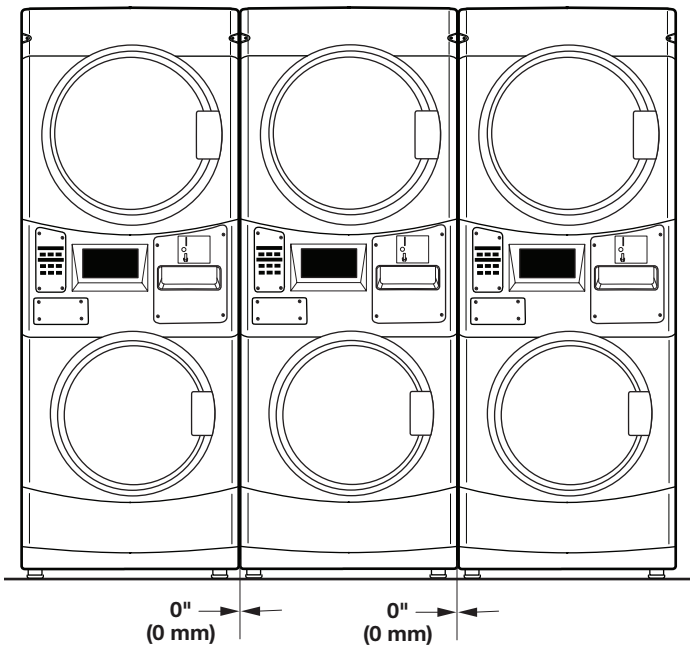
DIMENSIONS/CLEARANCES

Dimensions

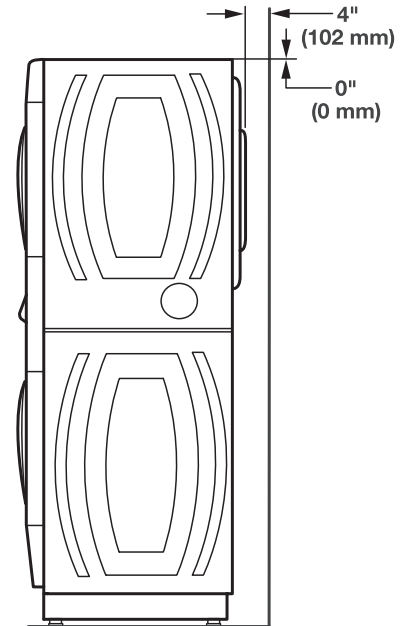


Clearances

Side Clearances




Back/Top Clearances



STACKED WASHER/GAS DRYER INSTALLATION REQUIREMENTS

Stacked Washer/Gas Dryer Location

⚠ WARNING



Explosion Hazard

Keep flammable materials and vapors, such as gasoline, away from dryer.

Do not install in a garage.

Failure to do so can result in death, explosion, or fire.

Selecting the proper location for your washer/dryer improves performance and minimizes noise and possible washer “walk.”

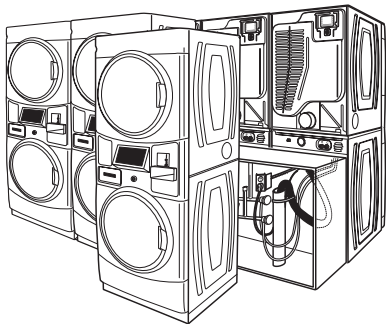
Your washer/dryer can be installed in a basement, laundry room, or recessed area. This washer/dryer is not intended for install in a mobile home or recreational vehicle. See the “Washer Drain System” section for more information.

Companion appliance location requirements should also be considered.

IMPORTANT: Do not install or store the washer/dryer where it will be exposed to the weather. Do not store or operate the washer/dryer in temperatures at or below 32°F (0°C). Some water can remain in the washer and can cause damage in low temperatures. Proper installation is your responsibility.

You will need:

- A water heater set to deliver 120°F (49°C) water to the washer.
- A grounded electrical outlet located within 6 ft (1.8 m) of where the power cord is attached to the back of the washer. See the “Electrical Requirements” section.
- Hot and cold water faucets located within 4 ft (1.2 m) of the hot and cold water fill valves, and water pressure of 20 psi-100 psi (137.9 kPa-689.6 kPa).
- A level floor with a maximum slope of 1" (25 mm) under entire washer/dryer. Installing the washer/dryer on soft floor surfaces, such as carpets or surfaces with foam backing, is not recommended.
- A sturdy and solid floor to support the washer/dryer with a total weight (water and load) of 450 lbs (204 kg).
- A floor drain under the bulkhead. Prefabricated bulkheads with electrical outlets, water inlet lines, and drain facilities should be used only where local codes permit.



Stacked washer/gas dryer installation clearances:

- The location must be large enough to allow the washer and dryer doors to be fully opened.
- Additional spacing should be considered for ease of installation and servicing. The doors open more than 180°. The washer door is not reversible.
- Additional clearances might be required for wall, door, and floor moldings.
- Additional spacing of 1" (25 mm) on all sides of the washer/dryer is recommended to reduce noise transfer and to improve spin-up performance of the washer.
- Companion appliance spacing should also be considered.

When installing a gas dryer:

IMPORTANT: Observe all governing codes and ordinances.

- Check code requirements: Some codes limit or do not permit installation of clothes dryers in garages, closets, or sleeping quarters. Contact your local building inspector.
- Make sure that lower edges of the cabinet, plus the back and bottom sides of the washer/dryer, are free of obstructions to permit adequate clearance of air openings for combustion air. See the “Recessed Area Installation Instructions” below for minimum spacing requirements.

Recessed area installation instructions


This washer/dryer may be installed in a recessed area. For recessed area installations, minimum clearances can be found on the warning label on the rear of the dryer or in the “Dimensions/Clearances” section.

The installation spacing is in inches and is the minimum allowable. Additional spacing should be considered for ease of installation, servicing, and compliance with local codes and ordinances.

The dryer must be exhausted outdoors.

Stacked Washer/Gas Dryer Electrical Requirements

⚠ WARNING



Electrical Shock Hazard

Plug into a grounded 3 or 4 prong outlet.

Do not remove ground prong.

Do not use an adapter.

Do not use an extension cord.

Failure to follow these instructions can result in death, fire, or electrical shock.

IMPORTANT: The washer/dryer must be electrically grounded in accordance with local codes and ordinances or, in the absence of local codes, with the National Electrical Code, ANSI/NFPA 70, latest edition, or Canadian Electrical Code, CSA C22.1. If codes permit and a separate ground wire is used, it is recommended that a qualified electrical installer determine that the ground path is adequate.

A copy of the above code standards can be obtained from:

National Fire Protection Association
One Batterymarch Park, Quincy, MA 02269
CSA International
8501 East Pleasant Valley Road
Cleveland, Ohio 44131-5575

- Do not ground to a gas pipe.
- Do not have a fuse in the neutral or ground circuit.
- A 120 V, 60 Hz AC only, 15 A or 20 A, fused electrical circuit is required. A time-delay fuse or circuit breaker is also recommended. It is recommended that a separate circuit serving only this washer/dryer be provided.
- This washer/dryer is equipped with a power supply cord having a 3 prong grounding plug.
- To minimize the possibility of shock, the cord must be plugged into a mating, 3 prong, grounding-type outlet, grounded in accordance with local codes and ordinances. If a mating outlet is not available, it is the personal responsibility and obligation of the customer to have the properly grounded outlet installed by a qualified electrician.
- If codes permit and a separate ground wire is used, it is recommended that a qualified electrician determine that the ground path is adequate.
- Check with a qualified electrician if you are not sure the washer/dryer is properly grounded.

Stacked Washer/Gas Dryer Grounding

GROUNDING INSTRUCTIONS

For a grounded, cord-connected washer/dryer:

This washer/dryer must be grounded. In the event of a malfunction or breakdown, grounding will reduce the risk of electrical shock by providing a path of least resistance for electric current. This washer/dryer is equipped with a cord having an equipment-grounding conductor and a grounding plug. The plug must be plugged into an appropriate outlet that is properly installed and grounded in accordance with all local codes and ordinances.

WARNING: Improper connection of the equipment-grounding conductor can result in a risk of electric shock. Check with a qualified electrician or serviceman if you are in doubt as to whether the appliance is properly grounded.

Do not modify the plug provided with the appliance – if it will not fit the outlet, have a proper outlet installed by a qualified electrician.

For a permanently connected washer/dryer:

This washer/dryer must be connected to a grounded metal, permanent wiring system, or an equipment grounding conductor must be run with the circuit conductors and connected to the equipment-grounding terminal or lead on the appliance.

SAVE THESE INSTRUCTIONS

Stacked Washer/Gas Dryer Gas Supply

WARNING



Explosion Hazard

Use a new CSA International approved gas supply line.

Install a shut-off valve.

Securely tighten all gas connections.

If connected to propane, have a qualified person make sure gas pressure does not exceed 13" (33 cm) water column.

**Examples of a qualified person include:
licensed heating personnel,
authorized gas company personnel, and
authorized service personnel.**

Failure to do so can result in death, explosion, or fire.

IMPORTANT: Observe all governing codes and ordinances. This installation must conform with all local codes and ordinances. In the absence of local codes, installation must conform with American National Standard, National Fuel Gas Code ANSI Z223.1/NFPA 54 or CAN/CSA B149.

A copy of the above code standards can be obtained from:

National Fire Protection Association
One Batterymarch Park, Quincy, MA 02269
CSA International
8501 East Pleasant Valley Road
Cleveland, Ohio 44131-5575

The design of this washer/dryer has been certified by CSA International for use at altitudes up to 10,000 feet (3,048 m) above sea level at the BTU rating indicated on the model/serial plate. Burner input adjustments are not required when the washer/dryer is operated up to this elevation.

When installed above 10,000 feet (3,048 m), a four percent (4%) reduction of the burner BTU rating shown on the model/serial plate is required for each 1,000 feet (305 m) increase in elevation. For assistance when converting to other gas types and/or installing above 10,000 feet (3,048 m) elevation, contact your local service company.

STACKED WASHER/ELECTRIC DRYER INSTALLATION REQUIREMENTS

Stacked Washer/Electric Dryer Location

⚠ WARNING



Explosion Hazard

Keep flammable materials and vapors, such as gasoline, away from dryer.

Do not install in a garage.

Failure to do so can result in death, explosion, or fire.

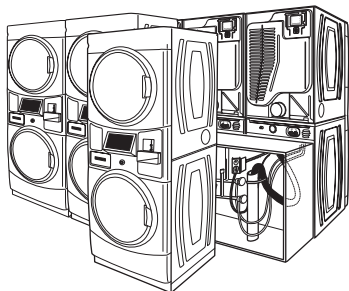
Selecting the proper location for your washer/dryer improves performance and minimizes noise and possible washer “walk.” Your washer/dryer can be installed in a basement, laundry room, or recessed area. This washer/dryer is not intended for install in a mobile home or recreational vehicle. See the “Washer Drain System” section for more information.

Companion appliance location requirements should also be considered.

IMPORTANT: Do not install or store the washer/dryer where it will be exposed to the weather. Do not store or operate the washer/dryer in temperatures at or below 32°F (0°C). Some water can remain in the washer and can cause damage in low temperatures. Proper installation is your responsibility.

You will need:

- A water heater set to deliver 120°F (49°C) water to the washer.
- A grounded electrical outlet located within 6 ft (1.8 m) of where the power cord is attached to the back of the washer. See “Electrical Requirements”.
- Hot and cold water faucets located within 4 ft (1.2 m) of the hot and cold water fill valves, and water pressure of 20 psi-100 psi (137.9 kPa-689.6 kPa).
- A level floor with a maximum slope of 1" (25 mm) under entire washer/dryer. Installing the washer/dryer on soft floor surfaces, such as carpets or surfaces with foam backing, is not recommended.
- A sturdy and solid floor to support the washer/dryer with a total weight (water and load) of 450 lbs (204 kg).
- A floor drain under the bulkhead. Prefabricated bulkheads with electrical outlets, water inlet lines, and drain facilities should be used only where local codes permit.



Stacked washer/electric dryer installation clearances

- The location must be large enough to allow the washer and dryer doors to be fully opened.
- Additional spacing should be considered for ease of installation and servicing. The doors open more than 180°. The washer door is not reversible.
- Additional clearances might be required for wall, door, and floor moldings.
- Additional spacing of 1" (25 mm) on all sides of the washer/dryer is recommended to reduce noise transfer, and improve spin-up performance of the washer.
- Companion appliance spacing should also be considered.

Recessed area installation instructions

This washer/dryer may be installed in a recessed area. For recessed area installations, minimum clearances can be found on the warning label on the rear of the dryer. The installation spacing is in inches and is the minimum allowable. Additional spacing should be considered for ease of installation, servicing, and compliance with local codes and ordinances.

The dryer must be exhausted outdoors.

Stacked Washer/Electric Dryer Electrical Requirements

Washer Electrical Requirements

⚠ WARNING



Electrical Shock Hazard

Plug into a grounded 3 or 4 prong outlet.

Do not remove ground prong.

Do not use an adapter.

Do not use an extension cord.

Failure to follow these instructions can result in death, fire, or electrical shock.

- Do not have a fuse in the neutral or ground circuit.
- This washer/dryer is equipped with a power supply cord having a 3 prong grounding plug.
- To minimize the possibility of shock, the cord must be plugged into a mating, 3 prong, grounding-type outlet, grounded in accordance with local codes and ordinances. If a mating outlet is not available, it is the personal responsibility and obligation of the customer to have the properly grounded outlet installed by a qualified electrician.
- If codes permit and a separate ground wire is used, it is recommended that a qualified electrician determine that the ground path is adequate.
- Check with a qualified electrician if you are not sure the washer is properly grounded.
- This appliance is provided with two power-supply connections to the power supply. Each appliance shall be connected to an individual branch circuit. The washer and dryer must be on individual circuits.

Stacked Washer/Electric Dryer Grounding

GROUNDING INSTRUCTIONS

For a grounded, cord-connected washer/dryer:

This washer/dryer must be grounded. In the event of a malfunction or breakdown, grounding will reduce the risk of electrical shock by providing a path of least resistance for electric current. This washer/dryer is equipped with a cord having an equipment-grounding conductor and a grounding plug. The plug must be plugged into an appropriate outlet that is properly installed and grounded in accordance with all local codes and ordinances.

WARNING: Improper connection of the equipment-grounding conductor can result in a risk of electric shock. Check with a qualified electrician or serviceman if you are in doubt as to whether the appliance is properly grounded.

Do not modify the plug provided with the appliance – if it will not fit the outlet, have a proper outlet installed by a qualified electrician.

For a permanently connected washer/dryer:

This washer/dryer must be connected to a grounded metal, permanent wiring system, or an equipment grounding conductor must be run with the circuit conductors and connected to the equipment-grounding terminal or lead on the appliance.

SAVE THESE INSTRUCTIONS

Dryer Electrical Requirements

It is your responsibility:

- To contact a qualified electrical installer.
- To be sure that the electrical connection is adequate and in conformance with the National Electrical Code, ANSI/NFPA 70-latest edition and all local codes and ordinances.
The National Electrical Code requires a 4-wire power supply connection for homes built after 1996, dryer circuits involved in remodeling after 1996.
A copy of the above code standards can be obtained from: National Fire Protection Association, One Batterymarch Park, Quincy, MA 02269.
- To supply the required 3 or 4 wire, single phase, 240 V, 60 Hz AC only electrical supply (3 or 4 wire, 120 V/208 V electrical supply, if specified on the serial/rating plate) on a separate 30 A circuit, fused on both sides of the line. A time delay fuse or circuit breaker is recommended. Connect to an individual branch circuit. Do not have a fuse in the neutral or grounding circuit.
- Do not use an extension cord.
- If codes permit and a separate ground wire is used, it is recommended that a qualified electrician determine that the ground path is adequate.

Electrical Connection

To properly install your dryer, you must determine the type of electrical connection you will be using and follow the instructions provided for it here.

- This dryer is manufactured ready to install with a 3-wire electrical supply connection. The neutral ground conductor is permanently connected to the neutral conductor (white wire) within the dryer. If the dryer is installed with a 4-wire electrical supply connection, the neutral ground conductor must be removed from the external ground connector (green screw), and secured under the neutral terminal (center or white wire) of the terminal block. When the neutral ground conductor is secured under the neutral terminal (center or white wire) of the terminal block, the dryer cabinet is isolated from the neutral conductor.
- If local codes do not permit the connection of a neutral ground wire to the neutral wire, see the “Optional 3-wire connection” section.
- A 4-wire power supply connection must be used when the appliance is installed in a location where grounding through the neutral conductor is prohibited. Grounding through the neutral is prohibited for (1) new branch-circuit installations and (2) areas where local codes prohibit grounding through the neutral conductor.

Electric Dryer Power Supply Cord

WARNING



Fire Hazard

- Use a new UL listed 30 A power supply cord.**
- Use a UL listed strain relief.**
- Disconnect power before making electrical connections.**
- Connect neutral wire (white or center wire) to center terminal (silver).**
- Ground wire (green or bare wire) must be connected to green ground connector.**
- Connect remaining 2 supply wires to remaining 2 terminals (gold).**
- Securely tighten all electrical connections.**
- Failure to do so can result in death, fire, or electrical shock.**

If using a power supply cord:

Use a UL listed power supply cord kit marked for use with clothes dryers. The kit should contain:

- A UL listed 30 A power supply cord, rated 240 V minimum. The cord should be type SRD or SRDT and be at least 4 ft (1.22 m) long. The wires that connect to the dryer must end in ring terminals or “U” shaped spade terminals with upturned ends.
- A UL listed strain relief.

If your outlet looks like this:



**4-wire
receptacle
(14-30R)**

Then choose a 4-wire power supply cord with ring or spade terminals and UL listed strain relief. The 4-wire power supply cord, at least 4 ft (1.22 m) long, must have four 10-gauge copper wires and match a 4-wire receptacle of NEMA Type 14-30R. The ground wire (ground conductor) may be either green or bare. The neutral conductor must be identified by a white cover.

If your outlet looks like this:



**3-wire
receptacle
(10-30R)**

Then choose a 3-wire power supply cord with ring or spade terminals and UL listed strain relief. The 3-wire power supply cord, at least 4 ft (1.22 m) long, must have three 10-gauge copper wires and match a 3-wire receptacle of NEMA Type 10-30R.

DRYER VENTING REQUIREMENTS

WARNING



Fire Hazard

Use a heavy metal vent.

Do not use a plastic vent.

Do not use a metal foil vent.

Failure to follow these instructions can result in death or fire.

WARNING: To reduce the risk of fire, this dryer **MUST BE EXHAUSTED OUTDOORS.**

IMPORTANT: Observe all governing codes and ordinances.

Dryer exhaust must not be connected into any gas vent, chimney, wall, ceiling, attic, crawlspace, or a concealed space of a building. Only rigid or flexible metal vent shall be used for exhausting.

Dryer Direct Wire

WARNING



Fire Hazard

Use 10 gauge copper wire.

Use a UL listed strain relief.

Disconnect power before making electrical connections.

Connect neutral wire (white or center wire) to center terminal (silver).

Ground wire (green or bare wire) must be connected to green ground connector.

Connect remaining 2 supply wires to remaining 2 terminals (gold).

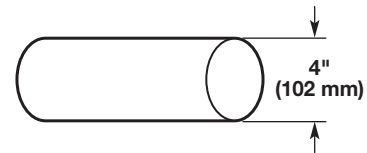
Securely tighten all electrical connections.

Failure to do so can result in death, fire, or electrical shock.

If connecting by direct wire:

Power supply cable must match power supply (4-wire or 3-wire) and be:

- Flexible armored cable or nonmetallic sheathed copper cable (with ground wire), covered with flexible metallic conduit. All current-carrying wires must be insulated.
- 10-gauge solid copper wire (do not use aluminum).
- At least 5 ft (1.52 m) long.



4" (102 mm) Heavy, Metal Exhaust Vent

- Only a 4" (102 mm) heavy, metal exhaust vent and clamps may be used.
- Do not use plastic or metal foil vent.

Rigid metal vent:

- Recommended for best drying performance and to avoid crushing and kinking.

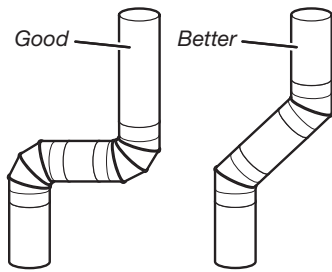
Flexible metal vent: (Acceptable only if it is accessible to clean)

- Must be fully extended and supported in final dryer location.
- Remove excess to avoid sagging and kinking that may result in reduced airflow and poor performance.
- Do not install in enclosed walls, ceilings, or floors.
- The total length should not exceed 7 $\frac{3}{4}$ ft (2.4 m).

NOTE: If using an existing vent system, clean lint from entire length of the system and make sure exhaust hood is not plugged with lint. Replace plastic or metal foil vents with rigid metal or flexible metal vents. Review "Vent System Chart" and if necessary, modify existing vent system to achieve best drying performance.

Elbows:

- 45° elbows provide better airflow than 90° elbows.



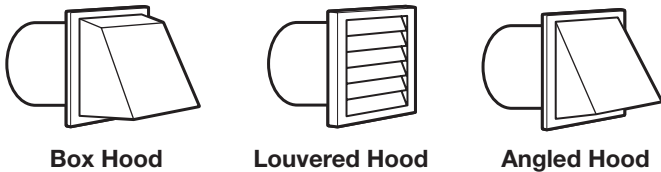
Clamps:

- Use clamps to seal all joints.
- Exhaust vent must not be connected or secured with screws or other fastening devices that extend into interior of duct and catch lint. Do not use duct tape.



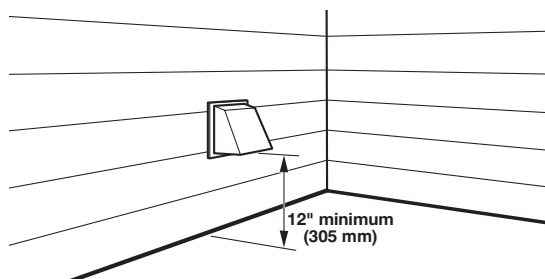
Vent Hoods

4" (102 mm) Diameter Exhaust Hoods



Exhaust hood must be at least 12" (305 mm) from the ground or any object that may be in the path of the exhaust (such as flowers, rocks, bushes, or snow).

Vent System Length



Maximum Vent Length/Vent Connection

Maximum length of vent system depends upon the type of vent used, number of elbows, and type of exhaust hood.

Vent System Chart (Rigid Metal Vent)

No. of 90° Turns	Box and Louvered Hoods	Angled Hood
0	64 ft (19.5 m)	58 ft (17.7 m)
1	54 ft (16.5 m)	48 ft (14.6 m)
2	44 ft (13.4 m)	38 ft (11.6 m)
3	35 ft (10.7 m)	29 ft (8.8 m)
4	27 ft (8.2 m)	21 ft (6.4 m)

For vent systems not covered by the vent specification chart, see your parts distributor.

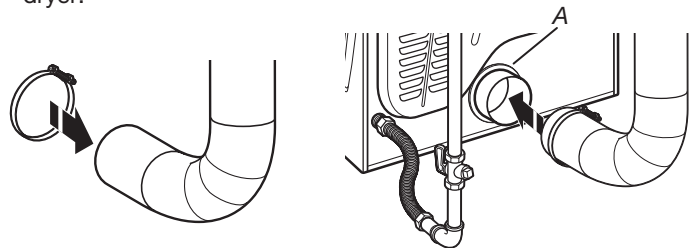
Provision must be made for enough air for combustion and ventilation. (Check governing codes and ordinances.) See the "Recessed Area Installation Instructions" in the "Stacked Washer/ Gas Dryer Location" and "Stacked Washer/ Electric Dryer Location" sections.

A 4" (102 mm) outlet hood is preferred. However, a 2½" (64 mm) outlet exhaust hood may be used. A 2½" (64 mm) outlet creates greater back pressure than other hood types.

For permanent installation, a stationary vent system is required.

Connect Vent

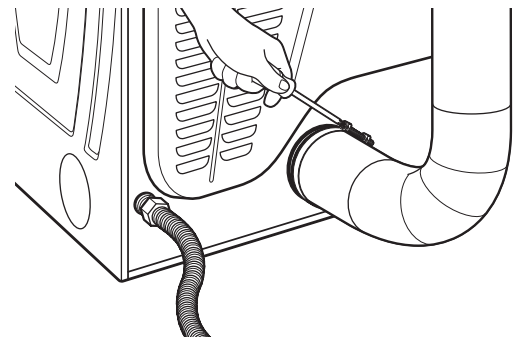
1. If connecting to existing vent, make sure the vent is clean.
2. Using a 4" (102 mm) clamp, connect vent to exhaust outlet in dryer.



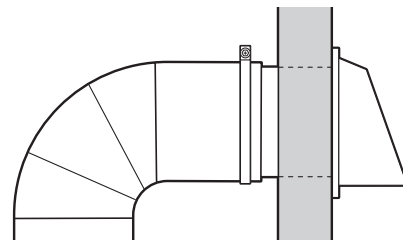
A. Vent collar

NOTE: Do not remove vent collar.

3. Tighten hose clamp with Phillips screwdriver.



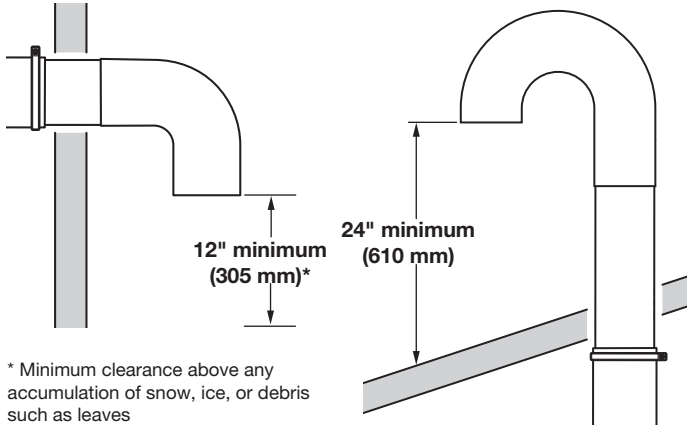
4. Make sure the vent is secured to exhaust hood with a 4" (102 mm) clamp.



5. Move dryer into final position. Do not crush or kink vent. Make sure dryer is level.

If an Exhaust Hood Cannot be Used

The outside end of main vent should have a sweep elbow directed downward.



* Minimum clearance above any accumulation of snow, ice, or debris such as leaves

If main vent travels vertically through the roof, rather than through wall, install a 180° sweep elbow on end of vent at least 2 ft (610 mm) above surface of roof.

The opening in wall or roof shall have a diameter 1/2" (13 mm) larger than vent diameter. Vent should be centered in opening.

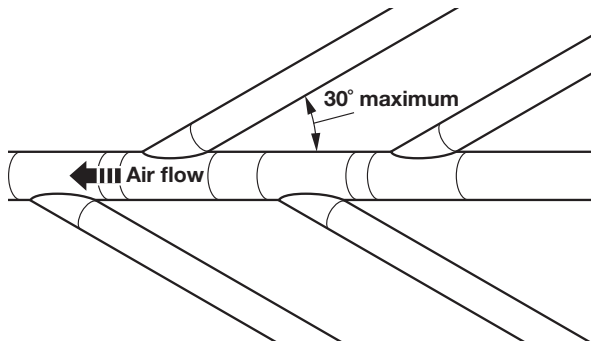
Do not install screening over end of vent for best performance.

Multiple Dryer Venting

A main vent can be used for venting a group of dryers. The main vent should be sized to remove 200 CFM of air per dryer. Large capacity lint screens of proper design may be used in main vent if checked and cleaned frequently. The room where the dryers are located should have make-up air equal to or greater than CFM of all the dryers in the room.

Back-draft Damper Kit, Part No. 3391910, is available from your distributor and should be installed in the vent of each dryer to keep exhausted air from returning into dryers and to keep exhaust in balance within main vent. Unobstructed return air openings are required.

Each vent should enter the main vent at an angle pointing in the direction of the airflow. Vents entering from the opposite side should be staggered to reduce the exhausted air from interfering with the other vents.



The maximum angle of each vent entering the main vent should be no more than 30°.

DRYER GAS SUPPLY REQUIREMENTS

WARNING



Explosion Hazard

Use a new CSA International approved gas supply line.

Install a shut-off valve.

Securely tighten all gas connections.

If connected to propane, have a qualified person make sure gas pressure does not exceed 13" (33 cm) water column.

Examples of a qualified person include:
licensed heating personnel,
authorized gas company personnel, and
authorized service personnel.

Failure to do so can result in death, explosion, or fire.

This dryer is not equipped with a gas union in the manifold. A qualified installer shall use a listed union connector in compliance with the Standard for Connectors of Gas Appliances ANSI Z21.24 CSA 6.10 to connect the dryer to the gas supply piping. Refer to the supply connection graphic.

Type of Gas

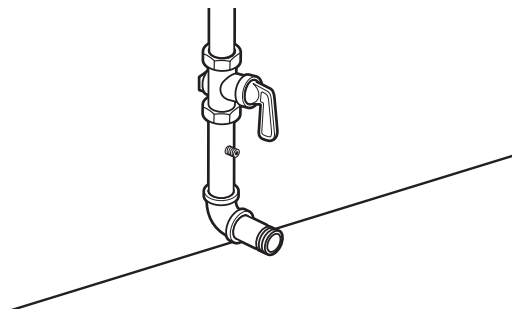
This dryer is equipped for use with natural gas. It is certified by UL for use with propane gas with appropriate conversion. No attempt shall be made to convert dryer from gas specified on serial/rating plate for use with a different gas without consulting the serving gas supplier. Conversion must be done by a qualified service technician.

Gas conversion kit part numbers are listed on gas valve burner base.

Gas Supply Line

Recommended method

Provide a gas supply line of 1/2" (13 mm) rigid (IPS) pipe to dryer location. Pipe joint compounds that resist action of propane gas must be used. Do not use TEFLON[†] tape. With propane gas, piping or tubing size can be 1/2" (13 mm) minimum. Usually, propane gas suppliers determine size and materials used in the system.



†TEFLON is a registered trademark of Chemours.

Gas supply pressure testing

A 1/8" (3 mm) NPT minimum plugged tapping, accessible for gauge testing, must be installed immediately downstream of the installed shut-off valve to the dryer (as shown above). The dryer must be disconnected from the gas supply piping system during any pressure testing of the system at test pressures in excess of 1/2" psi (352 kg/m²).

Alternate method

The gas supply may also be connected using 3/8" (10 mm) approved copper or aluminum tubing. If the total length of the supply line is more than 20 ft (6.1 m), larger tubing will be required.

If using natural gas, do not use copper tubing. Pipe joint compounds that resist action of type of gas supplied must be used.

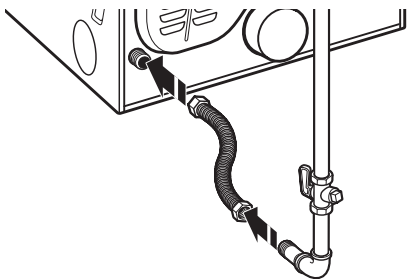
Shut-off valve required

The supply line must be equipped with a manual shut-off valve installed within 6 ft (1.8 m) of dryer in accordance with National Fuel Gas Code, ANSI Z223.1. This valve should be located in same room as dryer. It should be in a location that allows ease of opening and closing. Do not block access to shut-off valve.

Flexible metal appliance connector

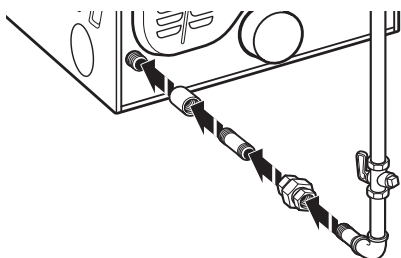
It is recommended that a new flexible stainless steel gas line, design-certified by CSA International, be used for connecting the dryer to the gas supply line (the gas pipe which extends through the lower rear of the dryer is provided with 3/8" (10 mm) male pipe thread).

NOTE: Do not kink or damage the flexible stainless steel gas line when moving the dryer.



Rigid pipe connection

The rigid pipe connection requires a combination of pipe fittings to obtain an in-line connection to dryer.



INSTALLING STACKED WASHER/ DRYER

Remove Transport System

NOTE: Slide washer/dryer onto cardboard or hardboard before moving to avoid damaging floor covering.

WARNING

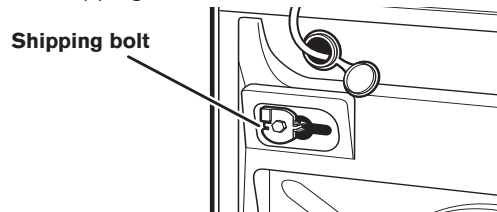
Excessive Weight Hazard

Use two or more people to move and install washer/dryer.

Failure to do so can result in back or other injury.

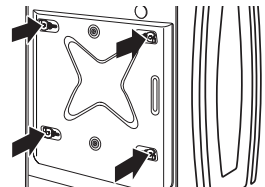
IMPORTANT: Position the washer/dryer s that the rear of the washer is within approximately 3 ft (900 mm) of its final location. There are four shipping bolts in the rear panel of the washer that support the suspension system during transportation. These bolts also retain the power cord inside the washer until the bolts are removed.

1. Keep the washer/dryer in the upright position while removing the shipping bolts.



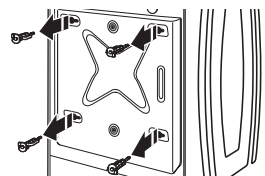
Shipping bolt with plastic spacer

2. Using a 1/2" (13 mm) wrench, loosen each of the bolts.



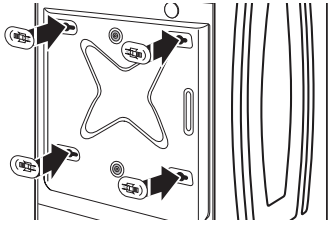
3. Once the bolt is loose, move it to the center of the hole and completely pull out the bolt, including the plastic spacer and store them in a location for use if the unit needs to be moved at a later date.

IMPORTANT: If the washer is to be transported at a later date, call your local service center for new transport bolts if the original set is misplaced. Machine must be transported in the upright position. To avoid structural or suspension damage to your washer, it must be properly set up for relocation by a certified technician.



4. Models with separate washer power cords: Push the power cord plug into the opening on the right side of the rear panel and pull the power cord through the opening on the left side of the rear panel and close holes with the attached cap. Do not pull plug end of power cord through the right side hole.

NOTE: To avoid damage to internal washer parts or the power cord, if the cord does not pull out of the washer rear panel easily, do not force it. Remove the washer rear panel and guide the power cord around the obstruction and out the hole on the left side of the rear panel.

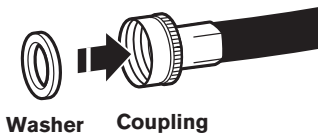


5. Close the bolt holes with the four transport bolt hole plugs.

IMPORTANT: If the washer/dryer is to be transported, call your product distributor or installer. To avoid suspension and structural damage, your washer/dryer must be properly set up for relocation by a trained professional.

Connect Inlet Hoses

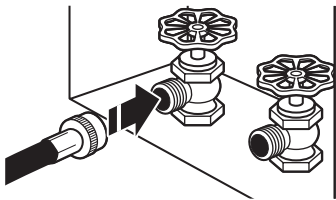
Insert new hose washers (supplied) into each end of the inlet hoses. Firmly seat the washers in the couplings.



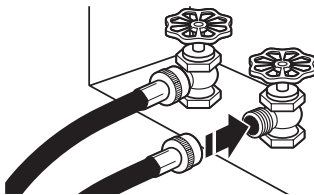
Connect inlet hoses to water faucets

Make sure the washer drum is empty.

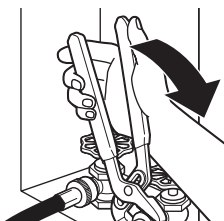
1. Attach a hose to the hot water faucet. Screw on coupling by hand until it is seated on the washer.



2. Attach a hose to the cold water faucet. Screw on coupling by hand until it is seated on the washer.



3. Using pliers, tighten the couplings with an additional two-thirds turn.



NOTE: Do not overtighten or use tape or sealants on the valve. Damage to the valves can result.

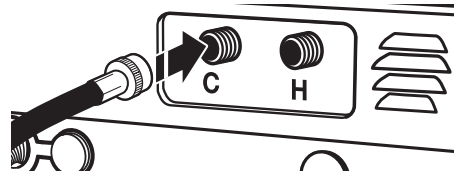
Clear water lines

- Run water through both faucets and inlet hoses, into a laundry tub, drainpipe, or bucket, to get rid of particles in the water lines that might clog the inlet valve screens.
- Check the temperature of the water to make sure that the hot water hose is connected to the hot water faucet and that the cold water hose is connected to the cold water faucet.

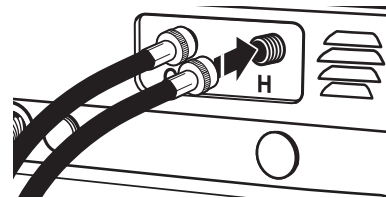


Connect inlet hoses to washer

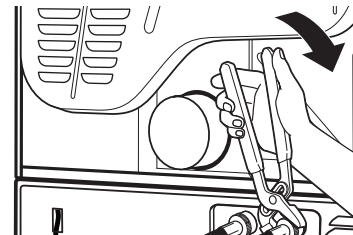
1. Attach the cold water hose to the washer's cold water inlet valve. Screw on coupling by hand until it is seated on the washer.



2. Attach the hot water hose to the washer's hot water inlet valve. Screw on coupling by hand until it is seated on the washer.

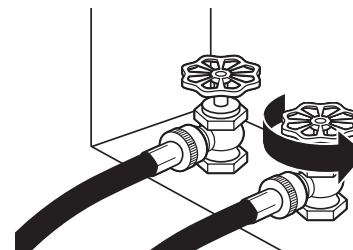


3. Using pliers, tighten the couplings with an additional two-thirds turn.



NOTE: Do not overtighten. Damage to the valve can result.

4. Turn on the water faucets completely and check for leaks.



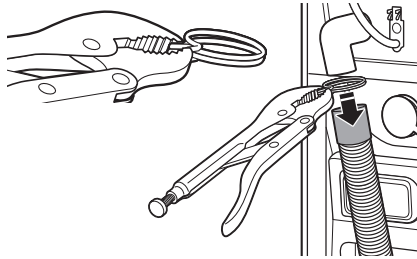
NOTE: Replace inlet hoses after 5 years of use to reduce the risk of hose failure. Record hose installation or replacement dates on the hoses for future reference. Periodically inspect and replace hoses if bulges, kinks, cuts, wear, or leaks are found.

Route Drain Hose

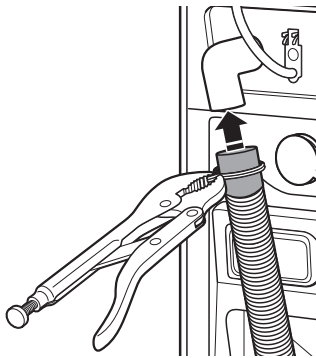
Proper routing of the drain hose avoids damage to your floor due to water leakage. Read and follow these instructions.

Remove drain hose from the washer drum

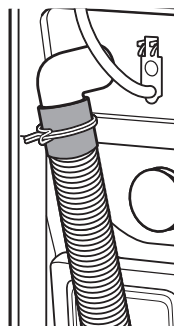
1. Using locking pliers, squeeze hose clamp tabs together and insert over the end of the drain hose.



2. Slide the drain hose onto the washer connection.



3. Once the drain hose is in place, release the pliers.



4. The washer drain system can be installed using a floor drain, wall standpipe, floor standpipe, or laundry tub.

Laundry tub drain or standpipe drain

Connect the drain hose form to the corrugated drain hose.

Snap either end of the drain hose form to the drain hose at the point where the corrugation begins.



Bend drain hose over drain hose form and snap into place.

NOTE: Hose must not extend more than 1" (25 mm) past the end of the U bend.



To keep drain water from going back into the washer:

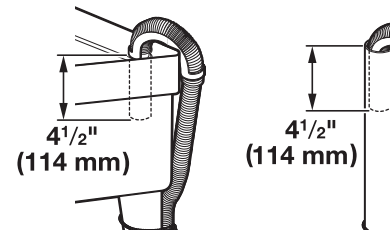
- Do not straighten the drain hose, do not force excess drain hose into standpipe. Hose should be secure but loose enough to provide a gap for air.
- Do not lay excess hose on the bottom of the laundry tub.

Floor drain

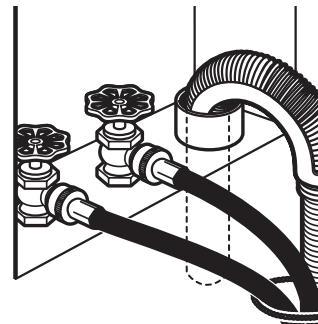
You may need additional parts. See "Alternate Parts".

Secure Drain Hose

1. Drape the power cord over the washer top.
2. Move the washer to its final location.
3. Place the drain hose in the laundry tub or standpipe as shown.



4. Secure the drain hose using the supplied beaded tie strap. If the washer faucets and the drain standpipe are recessed, put the hooked end of the drain hose in the standpipe as shown.



NOTES:

- Do not force excess drain hose back into the rear of the washer.
- To avoid siphoning, do not seal the drain hose into the standpipe.
- It is the responsibility of the installer to install and secure the drain hose into the provided plumbing/drain in a manner that will avoid the drain hose coming out of or leaking from the plumbing/drain.

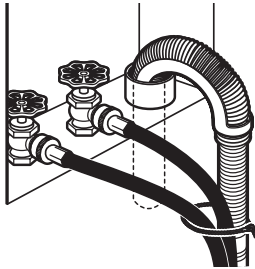
WASHER DRAIN SYSTEM

The washer can be installed using the standpipe drain system (floor or wall), the laundry tub drain system, or the floor drain system.

Standpipe drain system – wall or floor

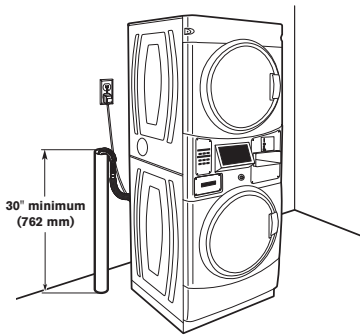
The standpipe drain requires a minimum diameter standpipe of 2" (50 mm). The minimum carry-away capacity can be no less than 10 gallons (38 L) per minute.

Wall



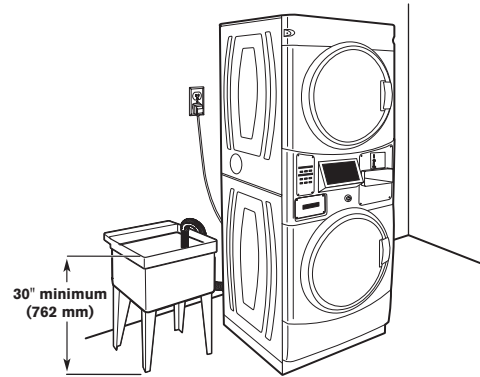
The top of the standpipe must be at least 30" (762 mm) high and no higher than 96" (2.4 m) from the bottom of the washer.

Floor



Laundry tub drain system

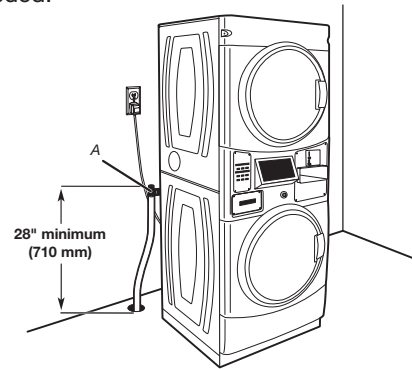
The laundry tub needs a minimum 20 gallons (76 L) capacity. The top of the laundry tub must be at least 30" (762 mm) above the floor.



Floor drain system

The floor drain system requires a siphon break that may be purchased separately.

The siphon break (Part Number 285834) must be a minimum of 28" (710 mm) from the bottom of the washer. Additional hoses might be needed.



A. Siphon Break

ELECTRIC DRYER ELECTRICAL CONNECTIONS

Electrical Connection Options			
If your location has:		And you will be connecting to:	Go to Section
4-wire receptacle (NEMA Type 14-30R)		A UL Listed, 120 V/240 V minimum, 30 A dryer power supply cord*	Power supply cord, 4-wire connection
3-wire receptacle (NEMA type 10-30R)		A UL Listed, 120 V/240 V minimum, 30 A dryer power supply cord*	Power supply cord, 3-wire connection
4-wire direct		A fused disconnect or circuit breaker box*	Direct wire, 4-wire connection
3-wire direct		A fused disconnect or circuit breaker box*	Direct wire, 3-wire connection

* If local codes do not permit the connection of a cabinet-ground conductor to the neutral wire, go to "Optional, 3-wire connection" section.

Power Supply Cord

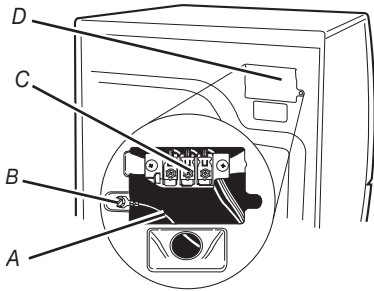
⚠ WARNING



Fire Hazard

- Use a new UL listed 30 A power supply cord.
- Use a UL listed strain relief.
- Disconnect power before making electrical connections.
- Connect neutral wire (white or center wire) to center terminal (silver).
- Ground wire (green or bare wire) must be connected to green ground connector.
- Connect remaining 2 supply wires to remaining 2 terminals (gold).
- Securely tighten all electrical connections.
- Failure to do so can result in death, fire, or electrical shock.

1. Disconnect power.
2. Remove the hold-down screw and terminal block cover.

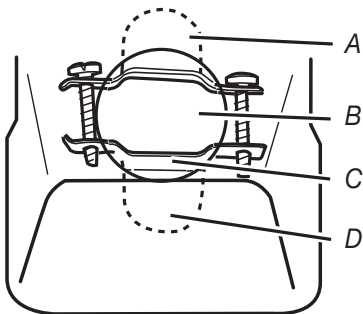


- A. Neutral ground wire
- B. External ground conductor screw
- C. Center terminal block screw
- D. Terminal block cover and hold-down screw

3. Install power supply cord strain relief.

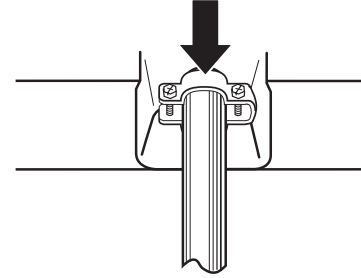
Power supply cord strain relief:

- Remove the screws from a 3/4" (19 mm) UL Listed strain relief. Put the tabs of the two clamp sections into the hole below the terminal block opening so that one tab is pointing up and the other is pointing down, and hold in place. Tighten strain relief screws enough to hold the two clamp sections together.



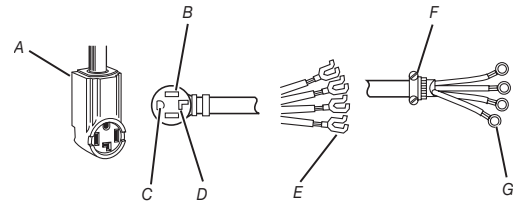
- A. Strain relief tab pointing up
- B. Hole below terminal block opening
- C. Clamp section
- D. Strain relief tab pointing down

- Put power supply cord through the strain relief. Be sure that the wire insulation on the power supply cord is inside the strain relief. The strain relief should have a tight fit with the dryer cabinet and be in a horizontal position. Do not further tighten strain relief screws at this point.



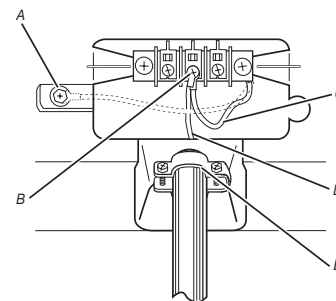
Power supply cord, 4-wire connection:

- IMPORTANT:** A 4-wire connection is required where local codes do not permit the use of 3-wire connections.



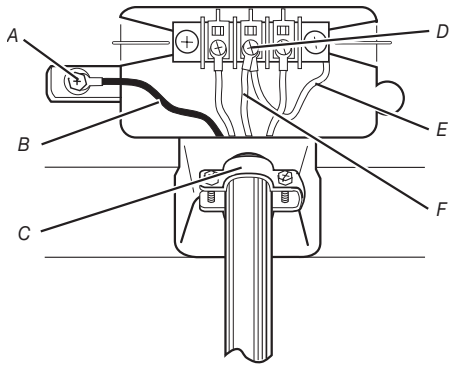
- A. 4-wire receptacle (NEMA type 14-30R)
- B. 4-prong plug
- C. Ground prong
- D. Neutral prong
- E. Spade terminals with upturned ends
- F. 3/4" (19 mm) UL Listed strain relief
- G. Ring terminals

1. Remove center terminal block screw.
2. Remove neutral ground wire from external ground conductor screw. Connect neutral ground wire and the neutral wire (white or center wire) of power supply cord under center terminal block screw. Tighten screw.



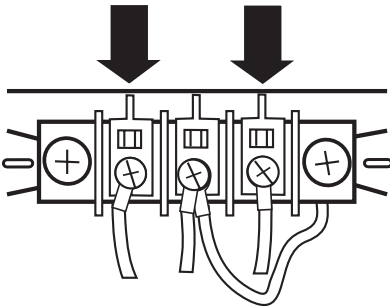
- A. External ground conductor screw - Dotted line shows position of NEUTRAL ground wire before being moved to center terminal block screw.
- B. Center terminal block screw
- C. Neutral ground wire
- D. Neutral wire (white or center wire)
- E. 3/4" (19 mm) UL Listed strain relief

3. Connect ground wire (green or bare) of power supply cord to external ground conductor screw. Tighten screw.



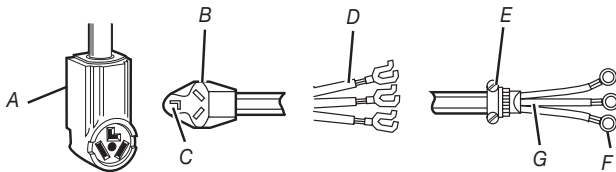
- A. External ground conductor screw
- B. Ground wire (green or bare) of power supply cord
- C. 3/4" (19 mm) UL Listed strain relief
- D. Center terminal block screw
- E. Neutral ground wire
- F. Neutral wire (white or center wire)

4. Connect the other wires to outer terminal block screws. Tighten screws.

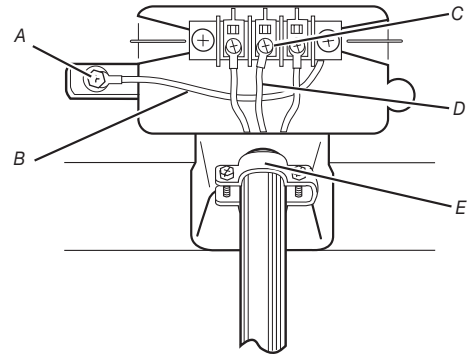


5. Tighten strain relief screws.
6. Insert tab of terminal block cover into slot of dryer rear panel. Secure cover with hold-down screw.
7. You have completed your electrical connection.

Power supply cord, 3-wire connection:



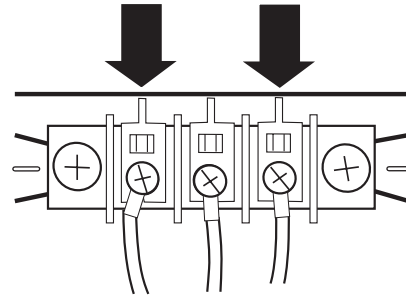
- A. 3-wire receptacle (NEMA type 10-30R)
- B. 3-wire plug
- C. Neutral prong
- D. Spade terminals with upturned ends
- E. 3/4" (19 mm) UL Listed strain relief
- F. Ring terminals
- G. Neutral (white or center wire)



- A. External ground conductor screw
- B. Neutral ground wire
- C. Center terminal block screw
- D. Neutral wire (white or center wire)
- E. 3/4" (19 mm) UL Listed strain relief

Use where local codes permit connecting cabinet-ground conductor to neutral wire.

1. Loosen or remove center terminal block screw.
2. Connect neutral wire (white or center wire) of power supply cord to the center terminal screw of the terminal block. Tighten screw.
3. Connect the other wires to outer terminal block screws. Tighten screws.



4. Tighten strain relief screws.
5. Insert tab of terminal block cover into slot of dryer rear panel. Secure cover with hold-down screw.
6. You have completed your electrical connection.

Direct Wire Method

⚠ WARNING



Fire Hazard

Use 10 gauge copper wire.

Use a UL listed strain relief.

Disconnect power before making electrical connections.

Connect neutral wire (white or center wire) to center terminal (silver).

Ground wire (green or bare wire) must be connected to green ground connector.

Connect remaining 2 supply wires to remaining 2 terminals (gold).

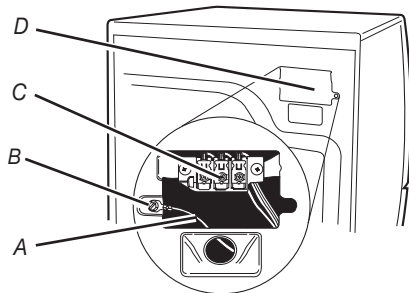
Securely tighten all electrical connections.

Failure to do so can result in death, fire, or electrical shock.

Direct wire cable must match power supply (4-wire or 3-wire) and be:

- Flexible armored cable or nonmetallic sheathed copper cable (with ground wire), protected with flexible metallic conduit. All current-carrying wires must be insulated.
- 10 gauge copper wire (do not use aluminum).
- At least 5 ft (1.52 m) long.

1. Disconnect power.
2. Remove hold-down screw and terminal block cover.



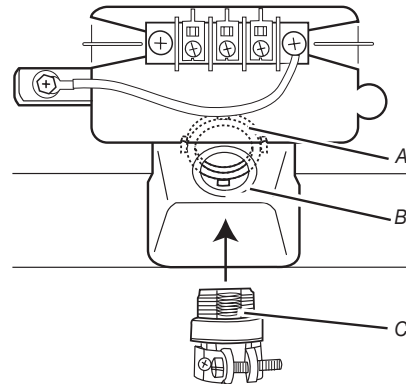
- A. Neutral ground wire
- B. External ground conductor screw
- C. Center terminal block screw
- D. Terminal block cover and hold-down screw

3. Install direct wire strain relief.
4. Complete installation following instructions for your type of electrical connection:

- **4-wire** (recommended method)
- **3-wire** (if four-wire is not available)

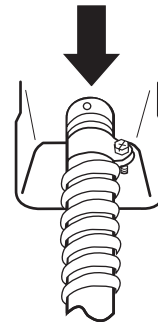
Direct wire strain relief:

- Unscrew the removable conduit connector and any screws from a 3/4" (19 mm) UL Listed strain relief. Put the threaded section of the strain relief through the hole below the terminal block opening. Reaching inside the terminal block opening, screw the removable conduit connector onto the strain relief threads.



- A. Removable conduit connector
- B. Hole below terminal block opening
- C. Strain relief threads

- Put direct wire cable through the strain relief. The strain relief should have a tight fit with the dryer cabinet and be in a horizontal position. Tighten strain relief screw against the direct wire cable.

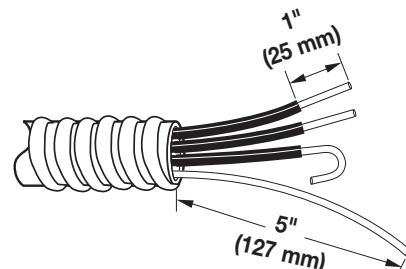


Direct wire, 4-wire connection:

IMPORTANT: A 4-wire connection is required where local codes do not permit the use of 3-wire connections.

Direct wire cable must have 5 ft (1.52 m) of extra length so dryer can be moved if needed.

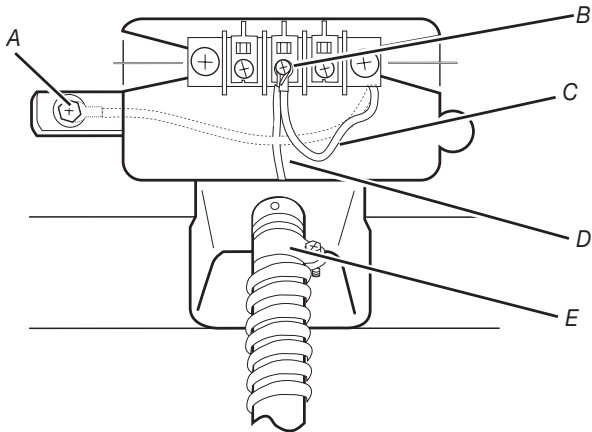
Strip 5" (127 mm) of outer covering from end of cable, leaving bare ground wire at 5" (127 mm). Cut 1½" (38 mm) from three remaining wires. Strip insulation back 1" (25 mm). Shape ends of wires into a hook shape.



When connecting to the terminal block, place the hooked end of the wire under the screw of the terminal block (hook facing right), squeeze hooked end together, and tighten screw, as shown.

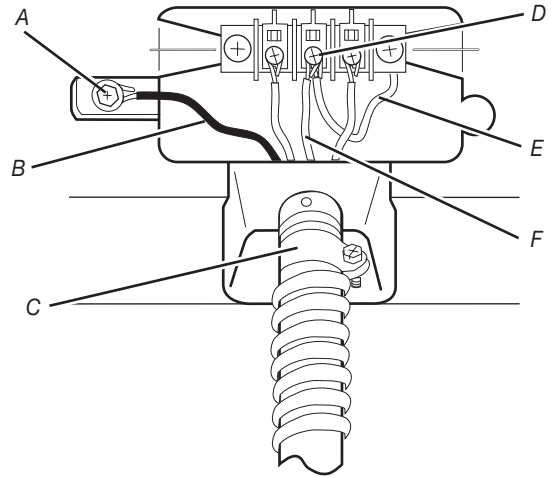


1. Remove center terminal block screw.
2. Remove neutral ground wire from external ground conductor screw. Connect neutral ground wire and place the hooked end (hook facing right) of the neutral wire (white or center wire) of direct wire cable under the center screw of the terminal block. Squeeze hooked ends together. Tighten screw.



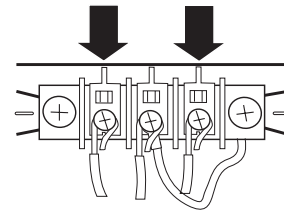
- A. External ground conductor screw - Dotted line shows position of Neutral ground wire before being moved to center terminal block screw.
- B. Center terminal block screw
- C. Neutral ground wire
- D. Neutral wire (white or center wire)
- E. 3/4" (19 mm) UL Listed strain relief

3. Connect ground wire (green or bare) of direct wire cable to external ground conductor screw. Tighten screw.



- A. External ground conductor screw
- B. Ground wire (green or bare) of direct wire cable
- C. 3/4" (19 mm) UL Listed strain relief
- D. Center terminal block screw
- E. Neutral ground wire
- F. Neutral wire (white or center wire)

4. Place the hooked ends of the other direct wire cable wires under the outer terminal block screws (hooks facing right). Squeeze hooked ends together. Tighten screws.



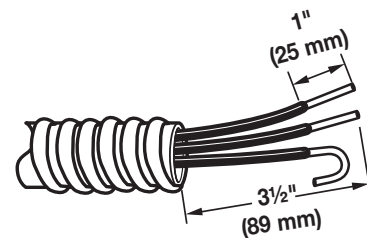
5. Tighten strain relief screw.
6. Insert tab of terminal block cover into slot of dryer rear panel. Secure cover with hold-down screw.
7. You have completed your electrical connection.

Direct wire, 3-wire connection:

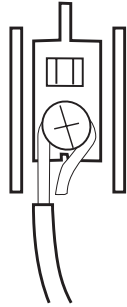
Use where local codes permit connecting cabinet-ground conductor to neutral wire.

Direct wire cable must have 5 ft (1.52 m) of extra length so dryer can be moved if needed.

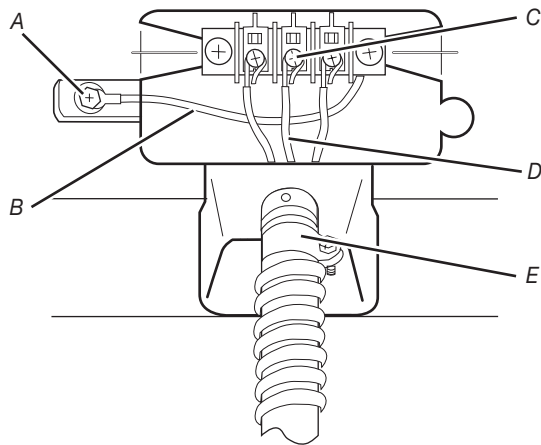
Strip 3/2" (89 mm) of outer covering from end of cable. Strip insulation back 1" (25 mm). If using 3-wire cable with ground wire, cut bare wire even with outer covering. Shape ends of wires into a hook shape.



When connecting to the terminal block, place the hooked end of the wire under the screw of the terminal block (hook facing right), squeeze hooked end together, and tighten screw, as shown.

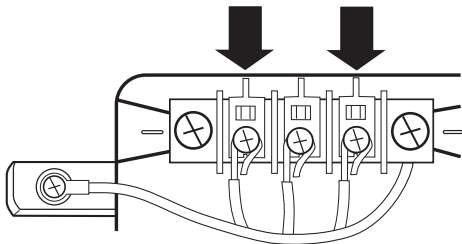


1. Loosen or remove center terminal block screw.
2. Place the hooked end of the neutral wire (white or center wire) of direct wire cable under the center screw of terminal block (hook facing right). Squeeze hooked end together. Tighten screw.



- A. External ground conductor screw
- B. Neutral ground wire
- C. Center terminal block screw
- D. Neutral wire (white or center wire)
- E. 3/4" (19 mm) UL Listed strain relief

3. Place the hooked ends of the other direct wire cable wires under the outer terminal block screws (hooks facing right). Squeeze hooked ends together. Tighten screws.
4. Tighten strain relief screw.

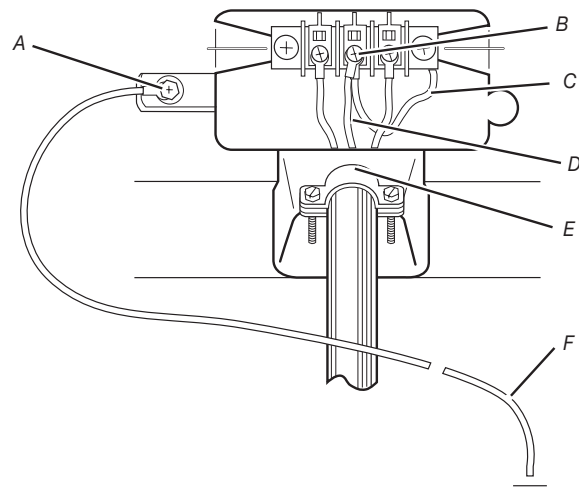


5. Insert tab of terminal block cover into slot of dryer rear panel. Secure cover with hold-down screw.
6. You have completed your electrical connection.

Optional, 3-wire connection:

Use for direct wire or power supply cord where local codes do not permit connecting cabinet-ground conductor to neutral wire.

1. Remove center terminal block screw.
2. Remove neutral ground wire from external ground conductor screw. Connect neutral ground wire and the neutral wire (white or center wire) of power supply cord/cable under center terminal block screw. Tighten screw.
3. Connect the other wires to outer terminal block screws (hooks facing right). Tighten screws.
4. Tighten strain relief screws.
5. Connect a separate copper ground wire from the external ground conductor screw to an adequate ground.
6. Insert tab of terminal block cover into slot of dryer rear panel. Secure cover with hold-down screw.



- A. External ground conductor screw
- B. Center terminal block screw
- C. Neutral ground wire
- D. Neutral wire (white or center wire)
- E. 3/4" (19 mm) UL Listed strain relief
- F. Grounding path determined by a qualified electrician

LEVELING

Leveling Stacked Washer/Dryer

Leveling your washer/dryer properly reduces excess noise and vibration.

⚠ WARNING

Excessive Weight Hazard

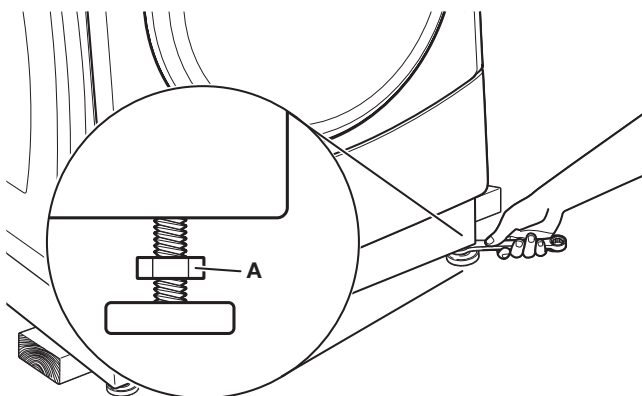
Use two or more people to move and install washer/dryer.
Failure to do so can result in back or other injury.

1. Remove cardboard from beneath washer/dryer. Place a level on top edges of washer/dryer, checking each side and front. If not level, tip washer/dryer and adjust feet up or down as shown in Steps 3 and 4, repeating as necessary.
2. Grip washer/dryer from top and rock back and forth, making sure all four feet are firmly on floor. Repeat, rocking washer/dryer from side to side. If washer/dryer rocks, go to Step 3 and adjust leveling feet. If all four feet are in firm contact with floor, go to Step 4.



3. If washer/dryer is not level, use a 9/16" or 14 mm open end or adjustable wrench to turn jam nuts clockwise (as viewed from above) on feet until they are about 1/2" (13 mm) from the washer/dryer cabinet. Then turn the leveling foot counterclockwise to lower the washer/dryer or clockwise to raise the washer/dryer. Recheck levelness of washer/dryer and that all four feet are firmly in contact with the floor. Repeat as needed.

HELPFUL TIP: You may want to prop up front of washer/dryer about 4" (102 mm) with a wood block or similar object that will support weight of washer/dryer.



A. Jam Nut

4. When washer/dryer is level and all four feet are firmly in contact with the floor, use a 9/16" or 14 mm open-end or adjustable wrench to turn jam nuts counterclockwise (as viewed from above) on leveling feet tightly against washer/dryer cabinet.

HELPFUL TIP: You may want to prop washer/dryer with wooden block.

COMPLETE INSTALLATION

1. Check the electrical requirements. Be sure that you have the correct electrical supply and the recommended grounding method. See "Electrical Requirements".
2. Check that all parts are now installed. If there is an extra part, go back through the steps.
3. Check that you have all of your tools.
4. Dispose of/recycle all packaging materials.
5. Check that the water faucets are on.
6. Check for leaks around faucets and inlet hoses.

⚠ WARNING



Electrical Shock Hazard

Plug into a grounded 3 or 4 prong outlet.

Do not remove ground prong.

Do not use an adapter.

Do not use an extension cord.

Failure to follow these instructions can result in death, fire, or electrical shock.

7. Plug into a grounded outlet, or connect power.
8. To test and to clean your washer, measure half the detergent manufacturer's recommended amount of High Efficiency (HE) detergent for a medium-size load. Pour the detergent into the detergent dispenser. Select any cycle and allow the washer to complete one whole cycle.
9. Check dryer operation. Using a full heat cycle, let the dryer run for at least 5 minutes. Dryer will stop when time is used up.

NOTE: Dryer door must be closed for dryer to operate. When door is open, dryer stops, but timer continues to run. To restart dryer, close door and push cycle button.

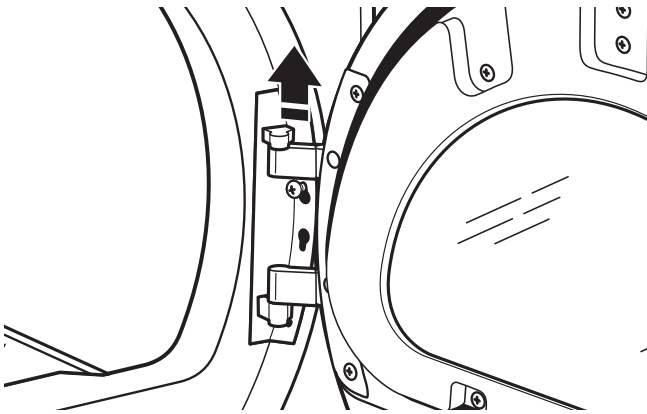
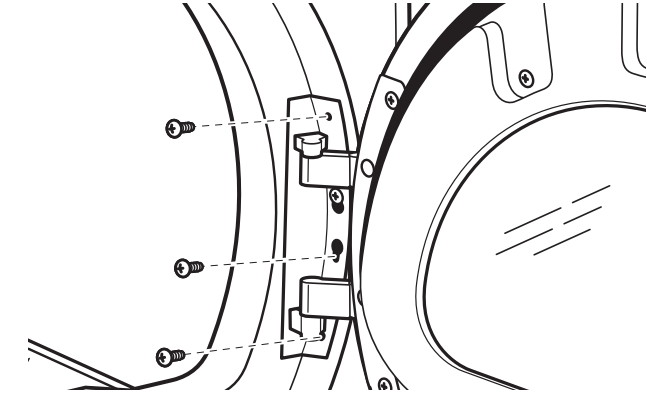
If the burner does not ignite and you can feel no heat inside the dryer, shut off dryer for 5 minutes. Check that all supply valve controls are in "ON" position and that the electrical cord is plugged in. Repeat 5 minutes test.

REVERSING DRYER DOOR SWING (OPTIONAL)

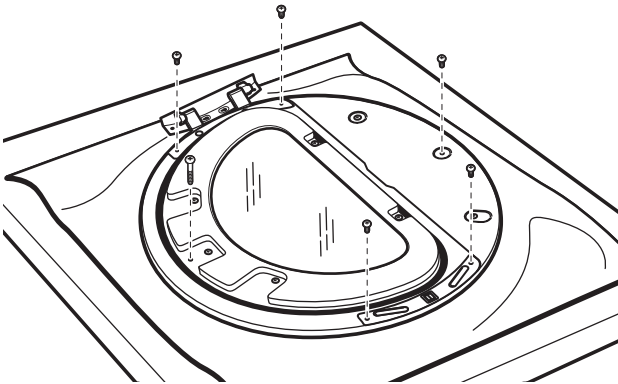
Remove the Door Assembly

1. Place a towel or soft cloth on top of dryer or work space to avoid scratching of the surface.

2. Remove three of the four screws that hold the door hinge on the front panel of the dryer. Partially loosen the remaining screw with keyhole opening and lift the door off the screw.

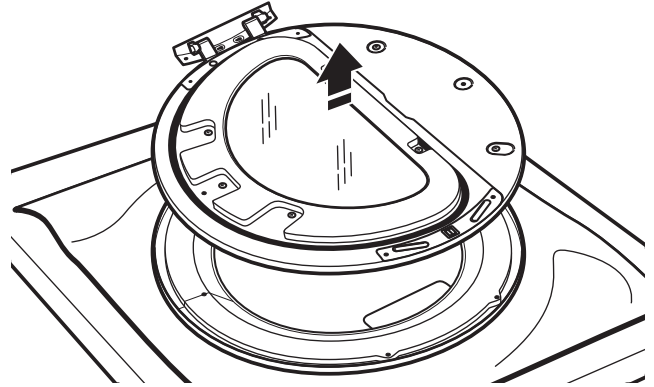


3. Lay the door assembly on a previously prepared flat surface with the inside (inner door assembly) facing up, and remove six Phillips-head screws to release outer door assembly from inner door assembly.

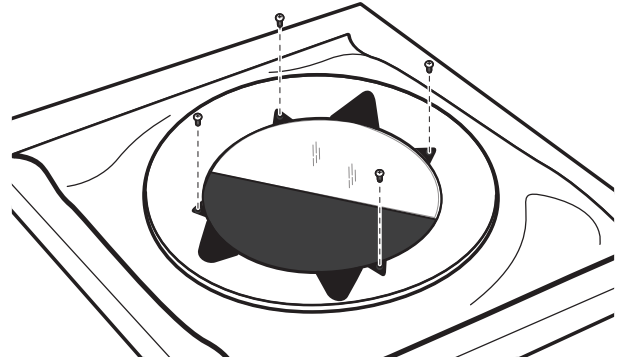


NOTE: It is important that you remove only the six indicated screws.

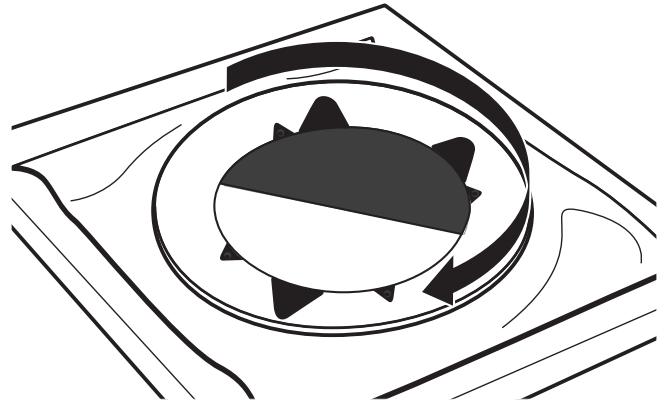
4. Lift the inner door assembly off outer door assembly.



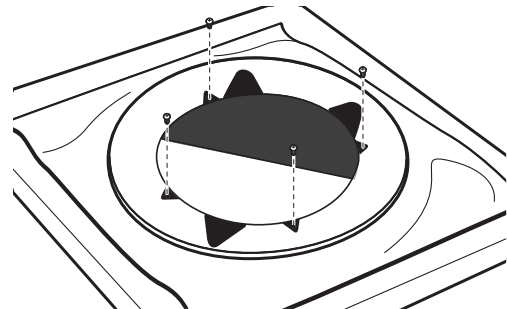
5. Remove four Phillips head screws to release center insert from outer door ring.



6. Lift and rotate center insert 180 degrees.

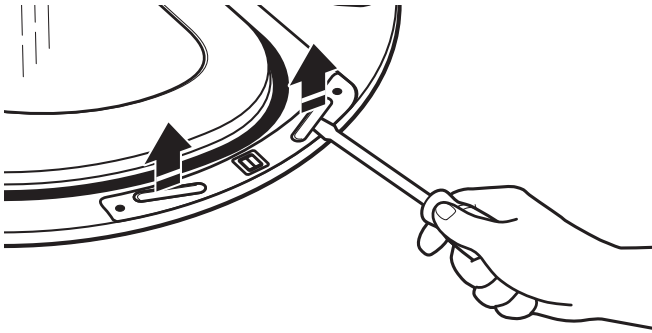


7. Reassemble the center insert and outer door ring with the four screws.

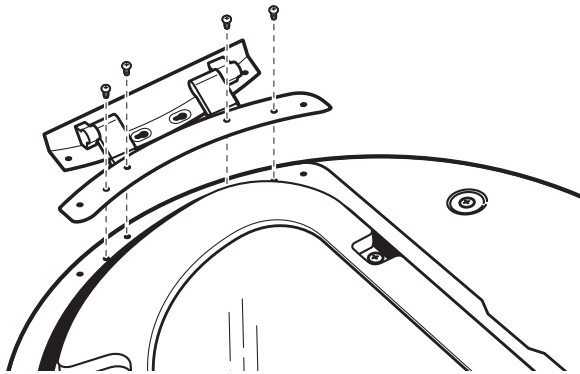


Reverse Hinge

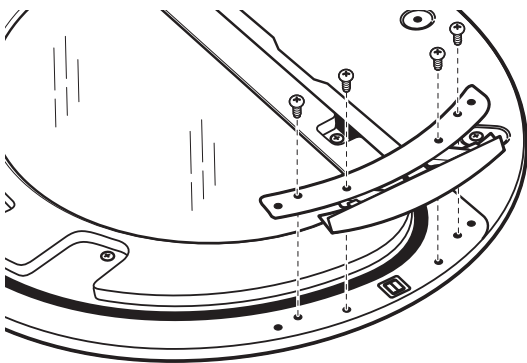
1. Use a small flat-blade screwdriver to remove two plug strips from the inner door. Slide the head of the screwdriver under the plugs, without scratching the inner door surface, and lift up the strip.



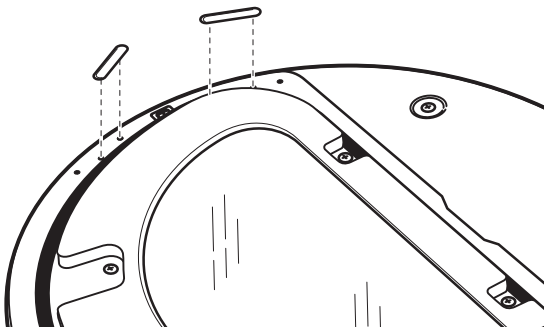
2. Remove the four screws that attach to inner door hinge.



3. Move hinge to other side. Reinstall four screws.



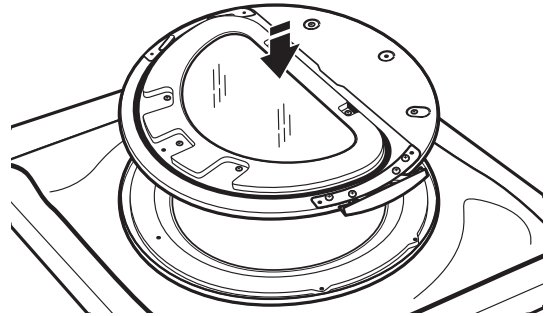
4. Reinstall plug strips on opposite side of the inner door.



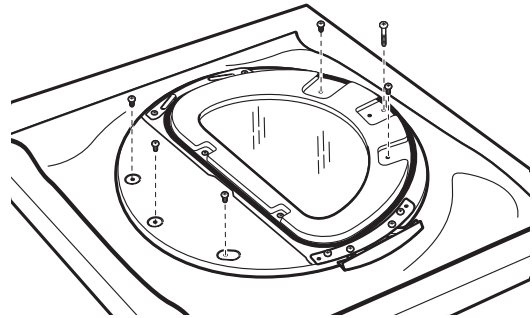
5. Check for fingerprints on the glass. Clean if necessary.

Replace the Door Assembly

1. Place the inner door assembly inside the outer door assembly.

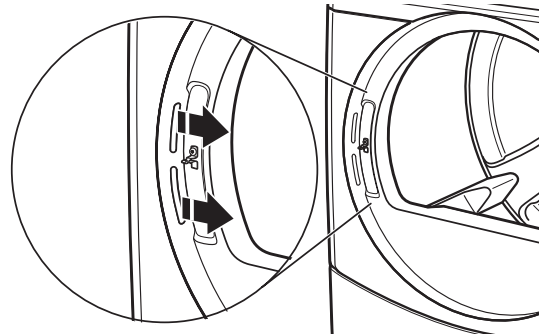


2. Reassemble the inner and outer door assemblies with the six screws.

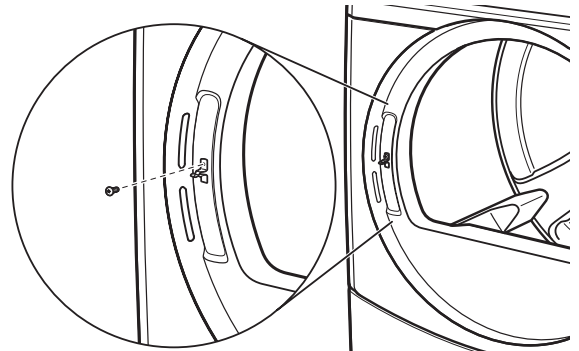


Reverse the Strike

1. Remove labels to expose the hinge holes.



2. Remove the strike using a Phillips screwdriver.

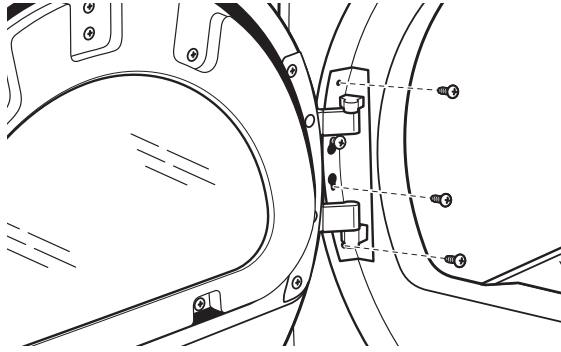


3. Insert strike on the opposite side.

4. Reapply the labels to opposite side. If label is damaged, then order part number W11481394.

Reinstall the Door

1. Partially insert the third screw from the top; then slide the hinge onto this screw while hooking the hinge into the front panel hole. Reattach the door to the dryer front panel with the remaining three screws.



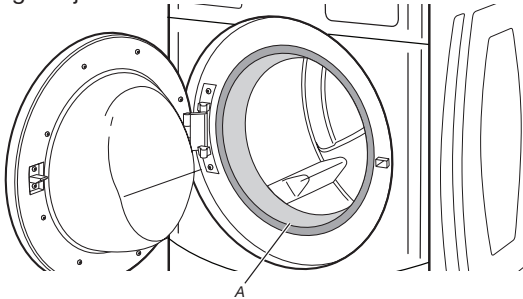
2. Check for fingerprints on the glass. Clean if necessary.
3. Close the door and verify that it latches securely.

STACKED WASHER/DRYER MAINTENANCE INSTRUCTIONS

Washer

Cleaning the Door Seal/Bellow

1. Open the washer door and remove any clothing or items from the washer.
2. Inspect inner glass door. If debris is present, wipe it off using a damp cloth.
3. Inspect the colored seal/bellow between the door opening and the basket for stained areas. Pull back the seal/bellow to inspect all areas under the seal/bellow and to check for foreign objects.



A. Seal/Bellow

4. If stained areas are found, wipe down these areas of the seal/bellow:
 - Mix a dilute solution, using 3/4 cup (177 mL) of liquid chlorine bleach, and 1 gallon (3.8 L) of warm tap water.
 - Wipe the seal/bellow area with the dilute solution, using a damp cloth.
 - Let stand 5 minutes.
 - Wipe down area thoroughly with a dry cloth and let the washer interior air dry with door open.

IMPORTANT:

- Wear rubber gloves when cleaning for prolonged periods.
- Refer to the bleach manufacturer's instructions for proper use.

Maintenance Instructions:

This washer has a special cycle that uses higher water volumes in combination with liquid chlorine bleach to thoroughly clean the inside of the washer.

NOTES:

- Read these instructions completely before beginning the cleaning process.
- If necessary, the cleaning cycle may be interrupted by pressing the lower right (COLD) button twice. However, this will not immediately stop the cycle. The washer will continue with several rinse and drain steps to ensure that all remaining bleach is rinsed from the washer.

To clean washer interior:

1. Open the washer door and remove any clothing or items from the washer.

2. **Use liquid chlorine bleach:**

Open the dispenser drawer and immediately add 2/3 cup (160 mL) of liquid chlorine bleach to the bleach compartment.

NOTE: Do not add any detergent. Use of more than 2/3 cup (160 mL) of bleach will cause product damage over time.

3. Close the washer door and the dispenser drawer.
4. To start the Washer Cleanout cycle, first enter "Service Mode." Then press and hold the lower right (COLD) button for 2 seconds. With the entire display flashing, press the center right (COLORS/DELICATES) button.

To exit out of the service mode and activate the Washer Cleanout cycle, push the center right (COLORS/DELICATES) button, then turn the key.

NOTE: The door will lock, the basket will rotate 1/2 turn, then the door will unlock and lock again, then the Washer Cleanout cycle will continue. The washer will not fill, but the basket will rotate while the washer runs a short sensing cycle. This will take approximately 3 minutes.

5. The cycle will determine whether clothing or other items are in the washer.
 - If no items are detected in the washer, it will proceed to Step 7.
 - If any items are detected in the washer, "F-34" will be displayed. Then the door will unlock.
Enter the service mode and then press and hold the lower right (COLD) button to cancel the failure code. Then repeat steps 1, 3, and 4 to start the cycle again.

6. Once the cycle has begun, allow the cycle to complete.
7. After the cycle is complete, leave the door open slightly to allow for better ventilation and drying of washer interior.

Always do the following to maintain washer freshness:

- Use only HE (High Efficiency) detergent.
- Leave the door slightly open after each cycle to allow for better ventilation and drying of washer interior.
- Clean the washer monthly (see "To clean washer interior"), using 2/3 cup (160 mL) of liquid chlorine bleach.
- If the procedure does not sufficiently improve the washer freshness, please evaluate your installation and usage conditions for other causes.

Cleaning the exterior

Use a soft damp cloth or sponge to wipe up any spills. Occasionally wipe the outside of your washer to keep it looking new. Use mild soap and water. Do not use abrasive products.

Cleaning the dispenser drawer

The dispenser drawer is removable for easy cleaning.

1. Unlock the dispenser drawer for removal by inserting a flat-blade screwdriver into the catch release. Remove the dispenser drawer.
2. Remove the inserts (the siphon from the softener and bleach compartments).
3. Wash the parts under running water.
NOTE: Do not wash components in the dishwasher.
4. Replace the inserts and return the dispenser to the drawer.

Water inlet hoses

Replace the inlet hoses after 5 years of use to reduce the risk of hose failure. Periodically inspect and replace inlet hoses if bulges, kinks, cuts, wear, or leaks are found.

When replacing your inlet hoses, record the date of replacement.

Dryer

Maintenance instructions:

- Clean lint screen before and after each cycle.
 - Removing accumulated lint:
 - From inside the dryer cabinet:
Lint should be removed every 2 years or more often, depending on dryer usage. Cleaning should be done by a qualified person.
 - From the exhaust vent:
Lint should be removed every 2 years, or more often, depending on dryer usage.
 - Keep area around dryer clear and free from combustible materials, gasoline and other flammable vapors and liquids.
 - Keep dryer area clear and free from items that would obstruct the flow of combustion and ventilation air.
- If dryer does not operate, check the following:**
- Electrical supply is connected.
 - Circuit breaker is not tripped or house fuse is not blown.
 - Door is closed. Listen closely to hear the door switch activate.
 - Cycle selection button has been pushed firmly.
 - For gas dryers, check that gas supply shut-off valves are set in open position.

IF YOU NEED ASSISTANCE

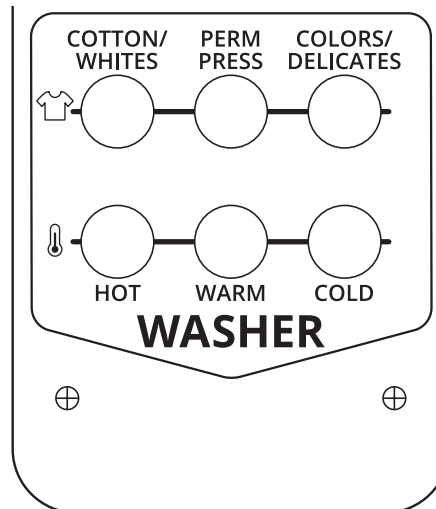
Contact your authorized Whirlpool Commercial Laundry distributor. To locate your authorized Whirlpool Commercial Laundry distributor, or for web inquiries, visit www.whirlpoolcommerciallaundry.com.

If you cannot locate your distributor, the Commercial Laundry Support Center will answer any questions about operating or maintaining your washer/dryer not covered in the Installation Instructions.

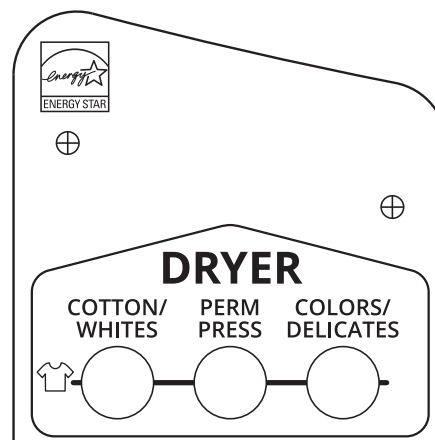
Just dial **1-800 NO BELTS (1-800-662-3587)** — the call is toll free.

When you call, you will need the washer/dryer model numbers and serial numbers. Both numbers can be found on the serial-rating plate located in the dryer door well.

ELECTRONIC CONTROL SETUP INSTRUCTIONS



Washer Control



Dryer Control

General Washer/Dryer User Information

NOTE: After the washer/dryer has been installed and plugged in, the display will show "0 MINUTES" on the washer and dryer portions of the display. After the washer and dryer doors have been opened and closed, the display will show the price for both the washer and dryer. On washer/dryers set for free cycles, the display sections will flash "SELECT CYCLE".

1. **With a coin drop attached:** Insert coins until "SELECT CYCLE" flashes on the display portion of the washer or dryer that is to be run.
Alternately, Generation 1 or 2 debit card systems may be used; however when the Generation 2 debit system is used, the controls will automatically be set to Enhanced Debit mode (J. Ed). In Enhanced Debit mode, the card balance will also display when a debit card is inserted into the reader.
2. Door must be closed on the desired washer/dryer before cycle selection is made.
3. Press the fabric setting button for the washer/dryer cycle desired. For washer cycles, also select the desired wash temperature. After the cycle is started, the time will display and count down.
4. If a cycle is interrupted by opening the door or power loss, "RESELECT CYCLE" will flash in the display. To restart the washer/dryer, close door and reselect desired cycle.

NOTE: When set for free vend operation an ongoing dryer cycle will cancel if the door is opened.

Scrolling 'out of order' message, followed by a failure or diagnostic code, showing in display – This condition indicates an error has been detected. Refer to Fault Codes for diagnostic information.

"0 MINUTES" SHOWING IN DISPLAY – This indicates the previous cycle is complete or a machine reset was performed. Opening the door will restore the display to the vend price or available state.

COLD START (Initial use) – Washer/dryer is programmed at the factory as follows:

Washer	11 minutes wash period \$2.00 wash price 3 rinses (extra rinse not enabled)
Dryer	5 minutes dry time per coin or debit pulse \$1.50 dry price (fixed cycle with top off)

WARM START (after power failure) – A few seconds after power is restored, if a cycle was in progress at the time of the power failure, "RESELECT CYCLE" will flash in the display, indicating the need for a key press to restart washer or dryer.

WASHER DOOR LOCK – Prior to beginning a cycle, there is a door lock routine of lock/unlock/relock, then cycle begins. The door will remain locked until the end of a cycle or approximately 2 minutes after a power interruption.

PRICING – After the door is opened following the completion of a cycle, the display indicates the cycle price (unless set for free operation). As coins are inserted or debit inputs arrive, the display will change to acknowledge valid coin or debit inputs.

There are four (4) types of dryer pricing:

Fixed "Vend" Pricing

A dryer setup for "Fixed Cycle" operation can only accept additional time accumulated by increments equal to the length of a complete dry cycle. A maximum of 75 minutes may be purchased; no additional credit is given for coins dropped with 75 minutes in the display.

Accumulator Pricing

If the price is set to one Coin 1, then accumulator pricing is in effect. Cycle time can be purchased one coin at a time up to the maximum time of 75 minutes.

Fixed Cycle With Top Off Pricing

A dryer set to offer "Top Off" capability will allow time to be added to an existing dry cycle in increments equal to the number of minutes of dry time per Coins or Debit inputs, up to 75 minutes, regardless of the cost required to start the dryer. No credit is given for coins or debit inputs entered when the control is displaying 75 minutes.

In Enhanced Debit Mode, the top off price can be set independently (see VALUE OF COIN 2), and the top off time is calculated according to the following equation:

$$\text{Top off time} = \frac{\text{Top off price}}{\text{Full cycle price}} \times \text{Full cycle length}$$

Penny increment offset is not applied to top off purchases.

Free Cycles

This is established by setting the cycle price to zero. When this happens, "SELECT CYCLE" will appear rather than a cycle price. Any cycle started as a free cycle will automatically terminate when the door is opened.

Debit Card Ready

This washer/dryer is debit card ready. It will accept a variety of debit card systems, but does not come with a debit card reader. Refer to the debit card reader manufacturer for proper washer/dryer setup. In models converted to a Generation 1 debit card system, debit pulses represent the equivalent of one coin (Coin 1).

Control Set-up Procedures

IMPORTANT: Read all instructions before operating.

Insert service switch key and turn counterclockwise.

Once a Generation 2 debit card reader is installed (according to the reader manufacturer's instructions), the set-up modes can be changed only by inserting a set-up card (supplied by the reader manufacturer) into the card slot. Inserting the service switch key and turning will only access the service mode.

The washer/dryer is now in set-up mode. The bottom temperature setting buttons and the lower portion of the display are used to set up the digital control for the washer. The upper three fabric setting buttons and the upper portion of the display are used to set up the controls for the dryer.

The display can contain four numbers and/or letters and a decimal point on both the top and bottom display portions. These are used to indicate the set-up codes and related code values available for use in programming the washer/dryer.

Start Operating Set-up

Washer/dryers are preset at the factory and do not require any programming. However, if you want to change the settings, follow the "Set-Up Codes" guide.

The first code shown in each segment is the factory default setting.

The set-up code is indicated by the one or two left-hand characters. The set-up code value is indicated by the two or three right-hand characters.

Set-Up Codes

Code	Explanation
6 06	REGULAR CYCLE PRICE (DRYER)
6 06	Represents the number of Coins or Debit inputs needed to start the dryer; may adjust from 0-39 (See VALUE OF COIN 1). Advance from 0-39 by pressing the upper left (COTTON/WHITES) button.
6 00	9100 MODEL ONLY (Free Vend):
→	Press the lower middle (WARM) button once to advance to next code.
6 08	REGULAR CYCLE PRICE (WASHER)
6 08	Represents the number of Coins or Debit inputs needed to start the washer; may adjust from 0-39 (See VALUE OF COIN 1). Increase by pressing the middle left (COTTON/WHITES) button, decrease by pressing the lower left (HOT) button.
6 00	9100 MODEL ONLY (Free Vend):
→	Press the lower middle (WARM) button once to advance to next code.
7 05	REGULAR DRY TIME (DRYER)
7 05	Represents the number of minutes per Coins or Debit inputs. Factory default of 5 minutes per coin. Example: 6 coins x 5 minutes = 30 minutes. By pressing the upper left (COTTON/WHITES) button, value adjusts from 1-75 minutes.
7 45	For OPL (Free vend) operation, the value is the amount of minutes of dry time. 9100 Model factory default of 45 minutes.
→	Press the lower middle (WARM) button once to advance to next code.
7 11	WASH LENGTH (WASHER)
7 11	This is the number of minutes for WASH. Washer comes from the factory preset with 11 minutes; may adjust from 9-17 minutes. Increase by pressing the middle left (COTTON/WHITES) button, decrease by pressing the lower left (HOT) button.
→	Press the lower middle (WARM) button once to advance to next code.
8 00	TYPE OF DRYER PRICING (DRYER)
8 00	Fixed Cycle with Top Off. For detailed description, see "General Washer/Dryer User Information".
8 FC	With Card Payment System: Fixed Cycle. For detailed description, see "General Washer/Dryer User Information". Use the upper right (COLORS/DELICATES) button to change this selection.
→	Press the lower middle (WARM) button once to advance to next code.
8 00	ADDITIONAL RINSE OPTION (WASHER) This option is either NOT SELECTED "00" or SELECTED "Ar."
8 00	Not Selected "00."
8 Ar	Selected "Ar." Press the lower right (COLD) button once to change this selection.
→	Press the lower middle (WARM) button once to advance to next code.

Code	Explanation
9 00	CYCLE COUNTER OPTION This option is either NOT SELECTED "00" or SELECTED "0C."
9 00	Not Selected "00."
9 0C	Selected "0C" and not able to be deselected. Press the lower right (COLD) button three consecutive times to select "0C." Once selected "0C" it cannot be deselected.
→	Press the lower middle (WARM) button once to advance to next code.
If cycle counter (9 0C) is selected, the following is true:	
1 00	Cycles in HUNDREDS 1 <u>02</u> = 200
2 00	Cycles in ONES 2 <u>25</u> = 225
TOTAL CYCLES = 225	
This is "VIEW ONLY" and cannot be cleared.	
→	Press the lower middle (WARM) button once to advance to next code.
1. 00	MONEY COUNTER OPTION This option is either NOT SELECTED "00" or SELECTED "0C."
1. 00	Not Selected "00."
1. 0C	Selected "0C." Press the lower right (COLD) button three consecutive times to select "0C" and three consecutive times to deselect (Not Selected "00"). Counter resets by going from "OFF" to "ON".
1. C0	Selected "C0" and not able to be deselected. To select "C0" and not able to be deselected, first select "0C." then within 2 seconds, press the lower right (COLD) button twice, the lower left (HOT) button once, and exit the set-up mode.
→	Press the lower middle (WARM) button once to advance to next code.
If money counter (1.0C or 1.C0) is selected, the following is true:	
3 00	Dollars in HUNDREDS 3 <u>01</u> = \$100.00
4 00	Dollars in ONES 4 <u>68</u> = \$68.00
5 00	Number of CENTS 5 <u>75</u> = \$00.75
TOTAL = \$168.75	
2. 00	SPECIAL PRICING OPTION This option is either NOT SELECTED "00" or SELECTED "SP."
2. 00	Not Selected "00." and next available code will be A.00.
2. SP	Selected "SP." Press the lower right (COLD) button once to change this selection.
If SPECIAL PRICING OPTION is selected, there is access to codes "3.XX" through "9.XX".	
→	Press the lower middle (WARM) button once to advance to next code.
OPTIONS 3.XX – 9.XX TO USE IF SPECIAL PRICING IS SELECTED:	
3. 06	SPECIAL CYCLE PRICE (DRYER)
3. 06	Represents the number of Coins or Debit inputs to start the dryer; may adjust from 0-39 (See VALUE OF COIN 1). Advance from 0-39 by pressing the upper left (COTTON/WHITES) button.

Code	Explanation
3. 00	PR MODEL ONLY (Free Vend): → Press the lower middle (WARM) button once to advance to next code.
3. 08	SPECIAL CYCLE PRICE (WASHER)
3. 08	Represents the number of Coins or Debit inputs to start the washer; may adjust from 0-39 (See VALUE OF COIN 1). Increase by pressing the middle left (COTTON/WHITES) button, decrease by pressing the lower left (HOT) button.
3. 00	PR MODEL ONLY (Free Vend): → Press the lower middle (WARM) button once to advance to next code.
4. 05	SPECIAL DRY TIME (DRYER)
4. 05	Represents the number of minutes per Coins or Debit inputs. Factory default of 5 minutes per coin. Example: 6 coins x 5 minutes = 30 minutes. By pressing the upper left (COTTON/WHITES) button, the value can be adjusted from 1-75 minutes.
4. 45	For OPL (Free vend) operation, the value is the amount of minutes of dry time. PR Model factory default of 45 minutes. → Press the lower middle (WARM) button once to advance to next code.
5. 00	TIME-OF-DAY CLOCK, MINUTES
5. 00	This is the TIME-OF-DAY CLOCK, minute setting; select 0-59 minutes by pressing the middle left (COTTON/WHITES) button or the lower left (HOT) button. → Press the lower middle (WARM) button once to advance to next code.
6. 00	TIME-OF-DAY CLOCK, HOURS NOTE: Uses military time or 24 hours clock.
6. 00	This is the TIME-OF-DAY CLOCK, hour setting; select 0-23 hours by pressing the middle left (COTTON/WHITES) button or the lower left (HOT) button. → Press the lower middle (WARM) button once to advance to next code.
7. 00	SPECIAL PRICE START HOUR NOTE: Uses military time or 24 hours clock.
7. 00	This is the START HOUR; 0-23 hours. Select START HOUR by pressing the middle left (COTTON/WHITES) button or the lower left (HOT) button. → Press the lower middle (WARM) button once to advance to next code.
8. 00	SPECIAL PRICE STOP HOUR NOTE: Uses military time or 24 hours clock.
8. 00	This is the STOP HOUR; 0-23 hours. Select STOP HOUR by pressing the middle left (COTTON/WHITES) button or the lower left (HOT) button. → Press the lower middle (WARM) button once to advance to next code.
9. 10	SPECIAL PRICE DAY

Code	Explanation																								
9. 10	This represents the day of the week and whether special pricing is selected for that day. A number followed by "0" indicates no selection that particular day (9.10). A number followed by an "S" indicates selected for that day (9.1S). To change the value of "0" and "S", use the lower right (COLD) button. Days of the week (1-7) are selected by pressing the middle left (COTTON/WHITES) button or the lower left (HOT) button. When exiting set-up code "9", the display must show the current day of week: <table border="1" style="width: 100%; border-collapse: collapse;"> <thead> <tr> <th>DISPLAY</th> <th>DAY OF WEEK</th> <th>CODE (selected)</th> </tr> </thead> <tbody> <tr> <td>10</td> <td>Day 1 = Sunday</td> <td>1S</td> </tr> <tr> <td>20</td> <td>Day 2 = Monday</td> <td>2S</td> </tr> <tr> <td>30</td> <td>Day 3 = Tuesday</td> <td>3S</td> </tr> <tr> <td>40</td> <td>Day 4 = Wednesday</td> <td>4S</td> </tr> <tr> <td>50</td> <td>Day 5 = Thursday</td> <td>5S</td> </tr> <tr> <td>60</td> <td>Day 6 = Friday</td> <td>6S</td> </tr> <tr> <td>70</td> <td>Day 7 = Saturday</td> <td>7S</td> </tr> </tbody> </table>	DISPLAY	DAY OF WEEK	CODE (selected)	10	Day 1 = Sunday	1S	20	Day 2 = Monday	2S	30	Day 3 = Tuesday	3S	40	Day 4 = Wednesday	4S	50	Day 5 = Thursday	5S	60	Day 6 = Friday	6S	70	Day 7 = Saturday	7S
DISPLAY	DAY OF WEEK	CODE (selected)																							
10	Day 1 = Sunday	1S																							
20	Day 2 = Monday	2S																							
30	Day 3 = Tuesday	3S																							
40	Day 4 = Wednesday	4S																							
50	Day 5 = Thursday	5S																							
60	Day 6 = Friday	6S																							
70	Day 7 = Saturday	7S																							
	→ Press the lower middle (WARM) button once to advance to next code.																								
A. 00	VAULT VIEWING OPTION This option is either NOT SELECTED "00" or SELECTED "SC."																								
A. 00	Not Selected "00."																								
A. SC	Selected "SC." Press the lower right (COLD) button once for this selection. When selected, the money and/or cycle counts will be viewable (if counter option[s] is selected) when the coin box is removed. → Press the lower middle (WARM) button once to advance to next code.																								
b. 05	VALUE OF COIN 1																								
b. 05	This represents the value of coin 1 in number of \$0.05 increments of the larger coin value. Example: 5 x \$0.05 = \$0.25. There is the option of 1-199 in the quantity of \$0.05 increments by pressing the middle left (COTTON/WHITES) button to increase the value or the lower left (HOT) button to decrease the value. → Press the lower middle (WARM) button once to advance to next code.																								
C. 20	VALUE OF COIN 2/ VALUE OF DRYER TOP OFF																								
C. 20	This represents the value of Coin 2 in number of \$0.05 increments of the larger coin value. Example: 20 x \$0.05 = \$1.00. There is the option of 1-199 in the quantity of \$0.05 increments by pressing the middle left (COTTON/WHITES) button to increase the value or the lower left (HOT) button to decrease the value.																								

Code	Explanation
C. 05	PR MODEL ONLY: For models using Enhanced Debit, this field represents the value of top off in \$0.05 increments, for the dryer, or \$0.25. Factory default of C.05; represents 5 x \$0.05, or \$0.25.
	→ Press the lower middle (WARM) button once to advance to next code.
E. 00	ADD COINS OPTION This option is either NOT SELECTED "00" or SELECTED "AC." This option causes the customer display to show the number of Coins or Debit inputs to enter, rather than the dollars-and-cents amount.
E. 00	Not Selected "00."
E. AC	Selected "AC." Press the lower right (COLD) button three consecutive times to change this selection.
	→ Press the lower middle (WARM) button once to advance to next code.
F. 00	ENHANCED PRICING OPTION
F. 00	Not Selected "00."
F. SU	Super Cycle pricing enabled. This option allows customers to upgrade cycles by depositing extra money. Set-up codes "H." and "h." will be displayed only when this option is enabled. Press the lower right (COLD) button for this selection.
	→ Press the lower middle (WARM) button once to advance to next code.
H. 01	SUPER CYCLE UPGRADE PRICE (Skipped unless Super Cycle pricing is enabled.)
H. 01	This represents the number of Coins or Debit inputs required to upgrade a base cycle to a super cycle. Advance from 0-39 by pressing the lower left (HOT) button.
	→ Press the lower middle (WARM) button once to advance to next code.
h. 01	SUPER CYCLE TYPE (Skipped unless Super Cycle pricing is enabled.)
h. 01	This represents the Super Cycle upgrade option. Press the lower left (HOT) button to step through upgrade options 1 through 3 as follows: 01 - Enhanced wash, extra 3 minutes of wash tumble in addition to the programmed wash time. 02 - Extra rinse for all cycles. 03 - Both 01 and 02.
	→ Press the lower middle (WARM) button once to advance to next code.
J. Cd	PAYMENT MODE (COIN/DEBIT OPTION)
J. Cd	Both coin and debit selected. Press the lower right (COLD) button three consecutive times to change this selection.
J. C_	Coins selected, debit disabled. Press the lower right (COLD) button three consecutive times to change this selection.

Code	Explanation
J. _d	With Card Payment System: Debit Card selected, coins disabled. Press the lower right (COLD) button three consecutive times to change this selection.
J. Ed	Enhanced Debit is self-selected when a Generation 2 card reader is installed in the washer/dryer. The Ed option cannot be manually selected or deselected.
	→ Press the lower middle (WARM) button once to advance to next code.
L. 00	PRICE SUPPRESSION OPTION This option causes the customer display to show "ADD" or "AVAILABLE" rather than the amount of money to add (used mainly in debit installations).
L. 00	Not Selected "00."
L. PS	Selected "PS." Press the lower right (COLD) button once to change this selection.
	→ Press the lower middle (WARM) button once to advance to next code.
n. CE	CLEAR ESCROW OPTION When selected, money held in escrow for 30 minutes without further escrow or cycle activity will be cleared.
n. 00	Not Selected "00."
n. CE	Selected "CE." Press the lower right (COLD) button once to change this selection.
	→ Press the lower middle (WARM) button once to advance to next code.
U. 00	PENNY INCREMENT OFFSET (DRYER)
U. 00	This represents the penny increment price offset used in Generation 2 (Enhanced Debit) models. Choose from 0-4 pennies by pressing the upper left (COTTON/WHITES) button.
	→ Press the lower middle (WARM) button once to advance to next code.
U. 00	PENNY INCREMENT OFFSET (WASHER)
U. 00	This represents the penny increment price offset used in Generation 2 (Enhanced Debit) models. Choose from 0-4 pennies, increase value by pressing the middle left (COTTON/WHITES) button, decrease by pressing the lower left (HOT) button.
	→ Press the lower middle (WARM) button once to advance to next code.
A1. 00	PREWASH LENGTH (WASHER)
A1. 00	This is the number of minutes of PREWASH. Choose 00 to disable the prewash or select between 2 and 7 minutes by pressing the lower left (HOT) button.
	→ Press the lower middle (WARM) button once to advance to next code.

END OF SET-UP PROCEDURES.

EXIT FROM SET-UP MODE:

- Turn service switch key clockwise and remove or remove manual set-up card.

SÉCURITÉ DE LA LAVEUSE/SÉCHEUSE SUPERPOSÉES

Votre sécurité et celle des autres est très importante.

Nous donnons de nombreux messages de sécurité importants dans ce manuel et sur votre appareil ménager. Assurez-vous de toujours lire tous les messages de sécurité et de vous y conformer.



Voici le symbole d'alerte de sécurité.

Ce symbole d'alerte de sécurité vous signale les dangers potentiels de décès et de blessures graves à vous et à d'autres.

Tous les messages de sécurité suivront le symbole d'alerte de sécurité et le mot "DANGER" ou "AVERTISSEMENT". Ces mots signifient :

⚠ DANGER

Risque possible de décès ou de blessure grave si vous ne suivez pas immédiatement les instructions.

⚠ AVERTISSEMENT

Risque possible de décès ou de blessure grave si vous ne suivez pas les instructions.

Tous les messages de sécurité vous diront quel est le danger potentiel et vous disent comment réduire le risque de blessure et ce qui peut se produire en cas de non-respect des instructions.



AVERTISSEMENT - "Risque d'incendie"

- L'installation de la sècheuse à vêtements doit être effectuée par un installateur qualifié.
- Installer la sècheuse conformément aux instructions du fabricant et aux codes locaux.
- Ne pas installer la sècheuse avec des matériaux d'évacuation en plastique flexible ou un conduit métallique flexible (type aluminium). Si un conduit métallique flexible est installé, celui-ci doit être d'un type spécifique identifié par le fabricant de l'appareil et convenir à une utilisation avec les sècheuses. Les matériaux d'évacuation souples sont connus pour s'affaisser, être facilement écrasés et piéger la charpie. Ces situations obstrueront le débit d'air de la sècheuse et augmenteront le risque d'incendie.
- Pour réduire le risque de blessure grave ou de décès, suivre toutes les instructions d'installation.
- Conserver ces instructions.

⚠ AVERTISSEMENT

Risque d'incendie

Le non-respect de cet avertissement peut causer des blessures graves, des dommages à la propriété ou le décès.

Ne pas installer de ventilateur d'appoint dans le conduit d'évacuation.

Installer toutes les sècheuses en respectant les instructions d'installation du fabricant de la sècheuse.

- On recommande que le propriétaire place les instructions à l'usage du client en un lieu bien visible, au cas où le client percevrait une odeur de gaz. Ces renseignements doivent être obtenus auprès de votre fournisseur en gaz.
- Placer l'avertissement qui suit à un endroit bien visible.

POUR VOTRE SÉCURITÉ

Ne pas remiser ou utiliser de l'essence ou tout autre liquide ou vapeur inflammable à proximité de cet appareil ou de tout autre appareil.

AVERTISSEMENT :

RISQUE D'INCENDIE OU D'EXPLOSION

Le non-respect des avertissements de sécurité peut causer des dommages à la propriété, des blessures graves, voire la mort.

- Ne pas entreposer ou utiliser de l'essence ou d'autres vapeurs ou liquides inflammables à proximité de cet appareil ou de tout autre appareil électroménager.
- **QUE FAIRE DANS LE CAS D'UNE ODEUR DE GAZ :**
 - Ne pas tenter d'allumer un appareil.
 - Ne pas toucher à un commutateur électrique; ne pas utiliser le téléphone se trouvant sur les lieux.
 - Évacuer tous les gens de la pièce, de l'édifice ou du quartier.
 - Appeler immédiatement le fournisseur de gaz d'un téléphone voisin. Suivre ses instructions.
 - À défaut de joindre votre fournisseur de gaz, appeler les pompiers.
- L'installation et l'entretien doivent être effectués par un installateur qualifié, une agence de service ou le fournisseur de gaz.

AVERTISSEMENT : L'odorat ne permet pas toujours la détection d'une fuite de gaz.

Les distributeurs de gaz recommandent l'emploi d'un détecteur de gaz (homologation UL ou CSA).

Pour d'autres informations, contacter le fournisseur de gaz local.

En cas de détection d'une fuite de gaz, exécuter les instructions "Que faire dans le cas d'une odeur de gaz".

Dans l'État du Massachusetts, les instructions d'installation suivantes sont applicables :

- Les travaux d'installation et réparation doivent être exécutés par un plombier ou tuyauteur qualifié ou licencié, ou par le personnel qualifié d'une entreprise licenciée par l'État du Massachusetts.
- Remplacer par des dispositifs de fermeture acceptables : Les robinets de gaz et robinets à bille installés pour l'utilisation devraient être indiqués.
- Si un conduit de raccordement flexible est utilisé, sa longueur ne doit pas dépasser 4 pi (121,9 cm).

IMPORTANT : L'installation au gaz doit être conforme aux codes locaux, ou en l'absence de codes locaux, au Code National d'alimentation au gaz, à la norme ANSI Z223.1/NFPA 54 ou au Code des installations au gaz naturel et au propane, CSA-B149.1.

La sècheuse doit être correctement reliée à la terre en conformité avec les codes locaux en vigueur, ou en l'absence de tels codes, avec le National Electrical Code, ANSI/NFPA 70 ou le Code canadien des installations électriques, CSA C22.1 partie 1.

IMPORTANTES INSTRUCTIONS DE SÉCURITÉ

Avant de jeter ou de ranger votre vieille sècheuse, enlever la porte.

CONSERVEZ CES INSTRUCTIONS

IMPORTANTES INSTRUCTIONS DE SÉCURITÉ

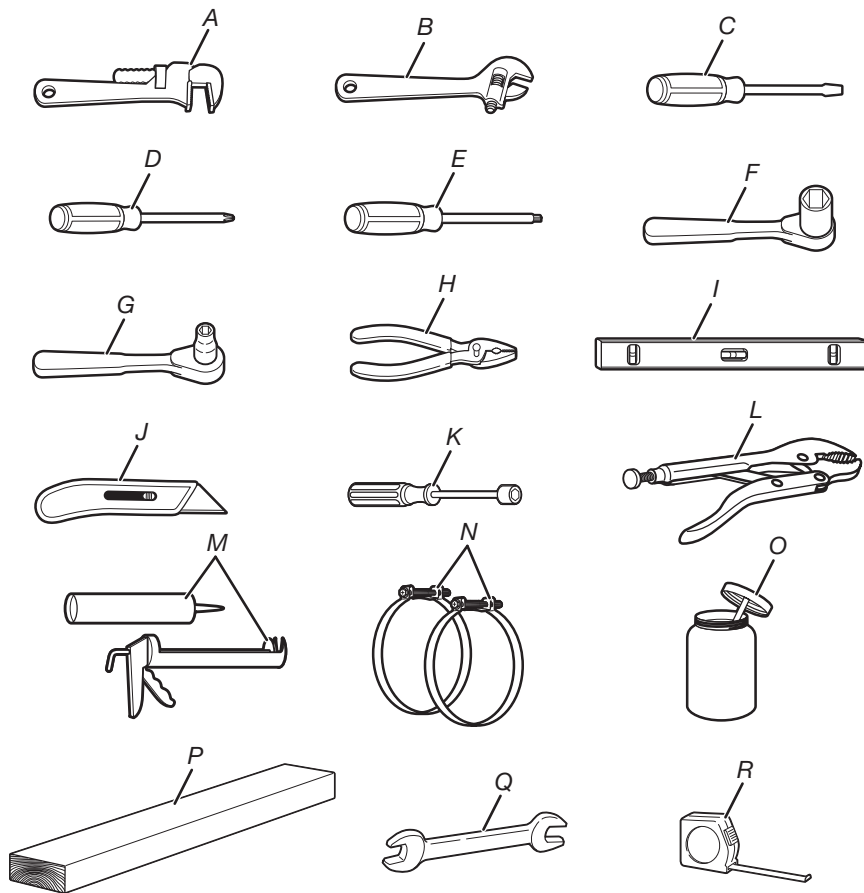
AVERTISSEMENT : Afin de réduire le risque d'incendie, de décharge électrique ou de blessures lors de l'utilisation de la laveuse/sécheuse, il convient d'observer certaines précautions fondamentales, notamment :

- Lire toutes les instructions avant d'utiliser la laveuse/sécheuse.
- Ne pas placer d'articles tâchés d'huile de cuisson dans la sécheuse. Les articles couverts d'huile de cuisson peuvent provoquer une réaction chimique et enflammer la charge de vêtements. Pour réduire le risque d'incendie dû à des charges contaminées, la partie finale du programme de séchage par culbutage a lieu sans chaleur (période de refroidissement). Éviter d'arrêter une sécheuse en phase de culbutage avant la fin du programme de séchage, à moins de retirer et d'étendre rapidement tous les articles afin que la chaleur se dissipe.
- Ne pas laver ou sécher d'articles qui ont été précédemment nettoyés, lavés, trempés ou tachés avec de l'essence, des solvants pour nettoyage à sec ou d'autres substances inflammables ou explosives; ces substances dégagent des vapeurs qui pourraient s'enflammer ou exploser.
- Ne pas ajouter d'essence, de solvants pour nettoyage à sec ou d'autres substances inflammables ou explosives à l'eau de lavage. Ces substances dégagent des vapeurs qui pourraient s'enflammer ou exploser.
- Risque de suffocation et de blessure par coincement : Ne pas laisser des enfants jouer sur l'appareil ou à l'intérieur de celui-ci. Une surveillance étroite des enfants est nécessaire lorsque l'appareil est utilisé à proximité d'enfants.
- Avant de retirer la laveuse/sécheuse pour un dépannage ou pour la jeter, ôter les portes des compartiments de la laveuse/sécheuse.
- Ne pas accéder à l'intérieur de la laveuse/sécheuse pendant le fonctionnement de la cuve, de l'agitateur ou du tambour.
- Ne pas installer ou remiser la laveuse/sécheuse dans un endroit où elle sera exposée à l'eau ou aux intempéries.
- Ne pas effectuer d'intervention non autorisée sur les commandes.
- Nettoyer le filtre à charpie de la sécheuse avant ou après chaque charge.
- Ne pas utiliser de pièces de remplacement qui n'ont pas été recommandées par le fabricant (c.-à-d., des pièces fabriquées à la maison à l'aide d'une imprimante 3D).
- Dans certaines conditions, un système d'eau chaude qui n'a pas été utilisé depuis 2 semaines ou plus peut produire de l'hydrogène. L'HYDROGÈNE EST UN GAZ EXPLOSIF. Si le système d'eau chaude est resté inutilisé pendant une telle période, ouvrir tous les robinets d'eau chaude et laisser l'eau s'y écouler pendant plusieurs minutes avant d'utiliser la laveuse. Ceci libérera toute accumulation d'hydrogène. Le gaz est inflammable : ne pas fumer ou utiliser une flamme nue durant cette période.
- Ne pas réparer ou remplacer une quelconque pièce de la laveuse/sécheuse ou effectuer tout entretien qui ne serait pas expressément recommandé dans le Guide d'utilisation et d'entretien ou dans des instructions de réparation par l'utilisateur que vous comprenez et que vous êtes capables d'exécuter.
- Ne pas utiliser d'assouplissant ou de produits pour éliminer l'électricité statique à moins que cela ne soit recommandé par le fabricant de l'assouplissant ou du produit.
- Ne pas sécher à la chaleur des articles contenant du caoutchouc mousse ou des matières similaires.
- La zone située autour de l'ouverture d'évacuation et les zones adjacentes doivent être propres, exemptes de peluches et poussières.
- L'intérieur de la sécheuse et son conduit d'évacuation doivent être nettoyés régulièrement par un personnel d'entretien qualifié.
- Consulter les instructions d'installation pour savoir comment effectuer la mise à la terre.
- **AVERTISSEMENT** : Risque d'incendie. Ne pas installer de ventilateur secondaire dans le conduit d'évacuation.
REMARQUE : L'avertissement de ventilateur secondaire ne s'applique pas aux sécheuses conçues pour être installées dans un système où il y a plusieurs sécheuses, avec un système de conduit d'évacuation conçu sur mesure et installé selon les directives du fabricant de la sécheuse.

CONSERVER CES INSTRUCTIONS

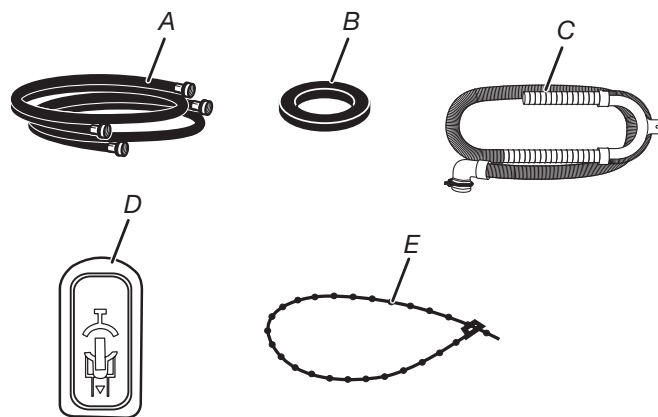
OUTILS ET PIÈCES

Outils requis :



- A. Clé à tuyau de 8 po (200 mm) ou 10 po (250 mm)
- B. Clé à molette de 8 po (200 mm) ou 10 po (250 mm) (ouverture jusqu'à 1 po [25 mm])
- C. Tournevis à lame plate
- D. Tournevis à tête cruciforme
- E. Tournevis ou embout de sécurité TORX† T20
- F. Clé à douille hexagonale de 1 po (25 mm)
- G. Clé à douille de 5/16 po (8 mm)
- H. Pince – ouverture jusqu'à 1 9/16 po (39 mm)
- I. Niveau
- J. Couteau tout usage
- K. Tourne-écrou de 1/4 po (6 mm)
- L. Pince multiprise
- M. Pistolet à calfeutrage et composé de calfeutrage (pour l'installation d'un nouveau conduit d'évacuation)
- N. Brides de conduit
- O. Pâte à joint conçue pour le gaz
- P. Cale de bois de 27 po (686 mm)
- Q. Clés à fourche de 1/2 po (13 mm) et 9/16 po (14 mm)
- R. Règle ou ruban à mesurer

Pièces fournies :



- A. Tuyaux d'arrivée d'eau (2)
- B. Rondelles pour tuyau d'alimentation (4)
- C. Tuyau d'évacuation avec bride, forme en U
- D. Bouchons pour les trous des boulons de transport (4)
- E. Fixation perlée

PIÈCES SUPPLÉMENTAIRES ET ACCESSOIRES

Pièces facultatives

Il se peut que l'installation nécessite des pièces supplémentaires. Pour acheter l'un des articles indiqués ici, composer le numéro sans frais indiqué à la section « If You Need Assistance ».

Si vous avez :	Vous devrez acheter :
Égout surélevé	Tuyau rigide d'évacuation standard de 20 gallons (76 L) de 39 po (990 mm) de haut ou évier de décharge pompe de puisard, et connecteurs (offerts chez les vendeurs de matériel de plomberie locaux)
Tuyau de rejet à l'égout de 1 po (25 mm)	Adaptateur de 2 po (51 mm) à 1 po (25 mm) de diamètre pour le tuyau de rejet à l'égout pièce no 3363920, Trousse de connexion pièce no 285835
Tuyau de vidange trop court	Tuyau de vidange pièce no DRNEXT4 Trousse de connexion pièce no 285835
Le système d'évacuation obstrué par de la charpie	Protecteur de canalisation pièce no 367031, Trousse de connexion pièce no 285835
Système de vidange au sol	Brise-siphon pièce no 285834, Ensemble de raccordement (x2) pièce no 285835, Prolongateur de tuyau flexible de vidange pièce no 285863
Robinets d'eau hors d'atteinte des tuyaux d'alimentation	2 tuyaux d'admission d'eau plus longs : Tuyau coudé de 6 pi (1,8 m) pièce no 76314, 10 pi (3,0 m) pièce no 350008

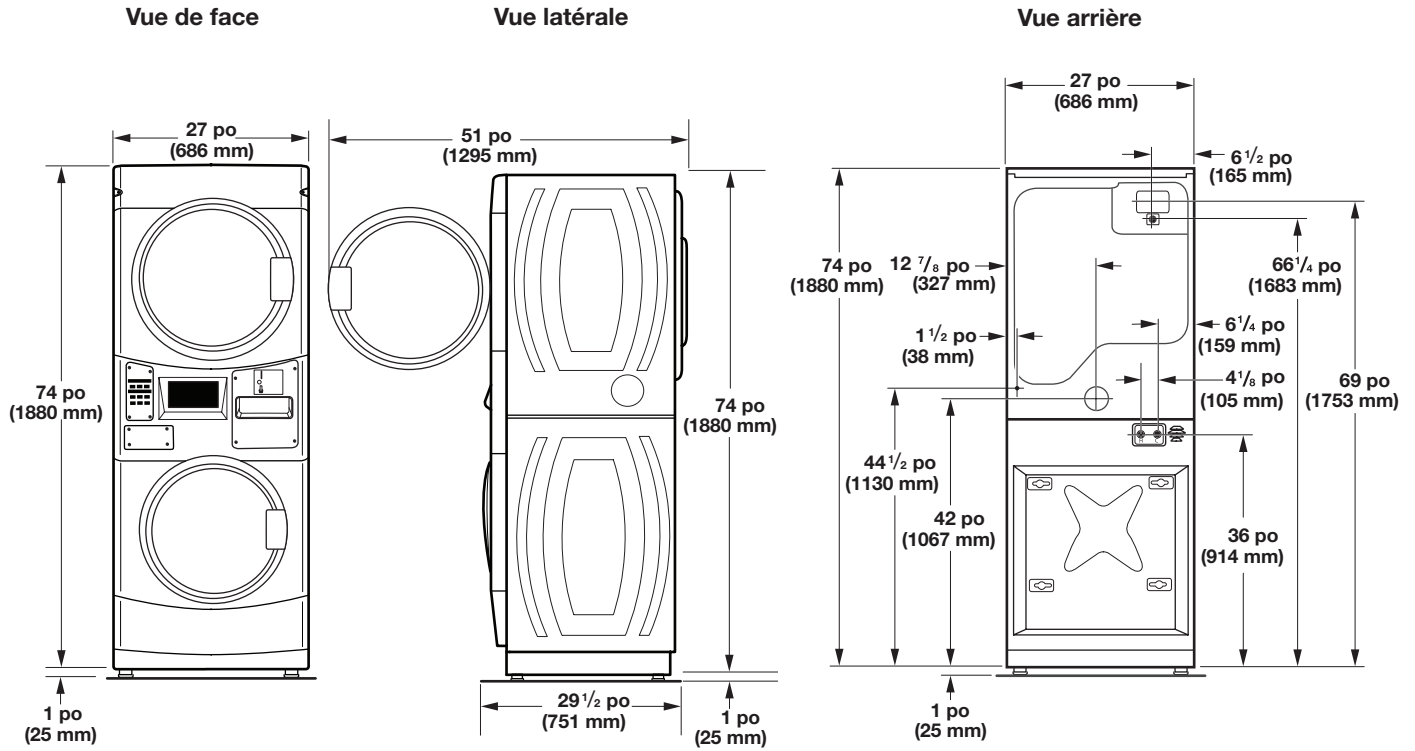
Accessoires

Améliorez la fonctionnalité de votre laveuse/sécheuse avec ces accessoires de première qualité. Pour d'autres articles de qualité ou pour commander, composer le **1 866 698-2538** ou consulter notre site Web www.whirlpool.com/accessories.

Référence	Accessoire
8212526	Plateau d'égouttement de la laveuse, convient à tous les modèles
31682	Nettoyant tout usage pour appareils ménagers
1903WH	Casier de rangement d'équipement de buanderie
279818	Trousse d'évacuation pour sécheuse à 3 voies
285834	Ensemble de brise-siphon

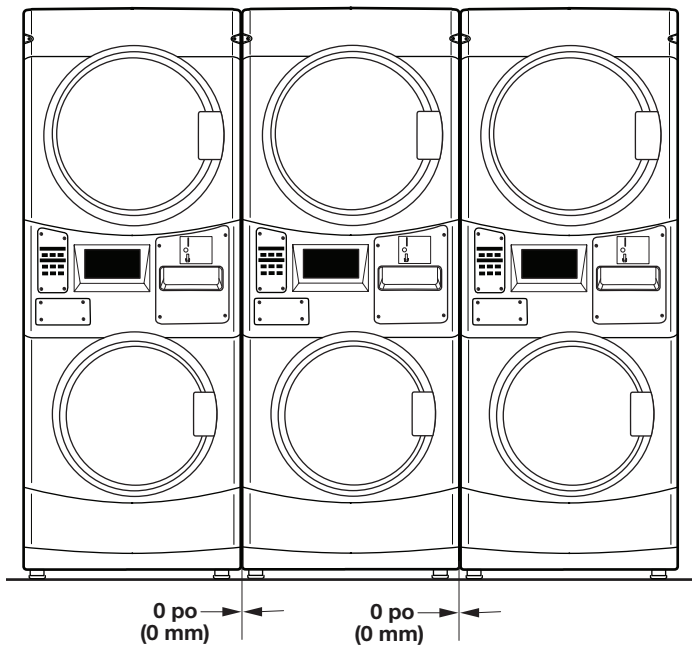
DIMENSIONS/DISTANCES DE DÉGAGEMENT

Dimensions

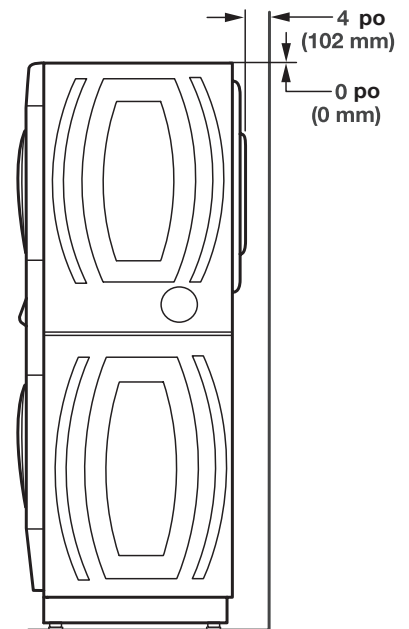


Dégagement

Distances de dégagement latéral



Distances de dégagement arrière/sur le dessus



CRITÈRES D'INSTALLATION POUR LA LAVEUSE/SÉCHEUSE À GAZ SUPERPOSÉES

Emplacement de la laveuse/sécheuse à gaz superposées

⚠ AVERTISSEMENT



Risque d'explosion

Garder les matières et les vapeurs inflammables, telle que l'essence, loin de la sécheuse.

Ne pas installer dans un garage.

Le non-respect de ces instructions peut causer un décès, une explosion ou un incendie.

Le choix d'un emplacement approprié pour la laveuse/sécheuse en améliore le rendement tout en réduisant le bruit et le « déplacement » de la laveuse.

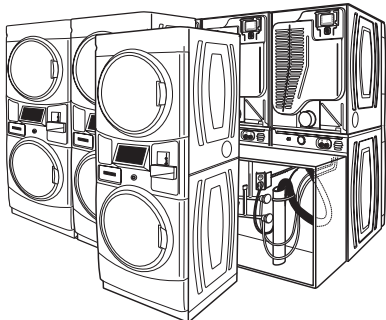
La laveuse/sécheuse peut être installée dans un sous-sol, une salle de buanderie ou un encastrement. Cette laveuse/sécheuse n'est pas conçue pour être installée dans une maison mobile ou un véhicule récréatif. Voir la section « Système de vidange de la laveuse » pour plus de renseignements.

Il faut aussi prendre en compte les exigences d'emplacement des appareils voisins.

IMPORTANT : Ne pas installer ou remettre la laveuse/sécheuse dans un endroit où elle sera exposée aux intempéries. Ne pas remettre ou faire fonctionner la laveuse/sécheuse à des températures égales ou inférieures à 32 °F (0 °C). Une quantité d'eau peut demeurer dans la laveuse et causer des dommages à des températures basses. C'est à l'utilisateur qu'incombe la responsabilité de réaliser une installation correcte.

Il vous faudra :

- Un chauffe-eau pour fournir de l'eau à 120 °F (49 °C) à la laveuse.
- Une prise électrique reliée à la terre située à moins de 6 pi (1,8 m) de la prise du cordon électrique se trouvant à l'arrière de la laveuse. Voir la section « Spécifications électriques ».
- Des robinets d'eau chaude et d'eau froide situés à 4 pi (1,2 m) des valves de remplissage d'eau chaude et d'eau froide, et une pression d'eau de 20 kPa-100 kPa (137,9 kPa-689,6 kPa).
- Un plancher de niveau ayant une pente maximale de 1 po (25 mm) sous l'ensemble de la laveuse/sécheuse. L'installation de la laveuse/sécheuse sur des surfaces de sol molles, telles que tapis ou surfaces avec sous-couche en mousse n'est pas recommandée.
- Un plancher robuste et solide capable de soutenir le poids total de la laveuse/sécheuse (eau et charge) de 450 lb (204 kg).
- Un égout au plancher sous le module de la cloison. Les coffrages préfabriqués équipés de prises électriques, tuyaux d'arrivée d'eau et conduites d'évacuation doivent être utilisés seulement là où les codes locaux l'autorisent.



Distances de dégagement pour l'installation pour la laveuse/sécheuse à gaz superposées :

- L'emplacement doit être assez grand pour permettre d'ouvrir complètement la porte de la laveuse et de la sécheuse.
- Prévoir davantage d'espace pour faciliter l'installation et l'entretien. Les portes s'ouvrent à plus de 180°. La porte de la laveuse est réversible.
- Un espace supplémentaire peut être requis pour les moulures de porte et de plancher et pour les plinthes.
- Un espace supplémentaire de 1 po (25 mm) de tous les côtés de la laveuse/sécheuse est recommandé pour réduire le transfert du bruit et pour améliorer les performances de rotation de la laveuse.
- Il faut aussi prendre en compte l'espace requis entre les appareils voisins.

Lors de l'installation d'une sécheuse à gaz :

IMPORTANT : Observer les dispositions de tous les codes et règlements en vigueur.

- Vérifier les exigences des codes : Certains codes limitent ou n'autorisent pas l'installation d'une sécheuse dans un garage, une armoire ou une chambre à coucher. Contacter l'inspecteur en bâtiments local.
- S'assurer que les rebords inférieurs de la caisse ainsi que les côtés arrière et inférieurs de la laveuse/sécheuse, sont bien dégagés pour permettre une évacuation adéquate de l'air de combustion. Voir la section « Instructions d'installation dans un encastrement » ci-dessous pour connaître les distances de dégagement minimales.

Instructions d'installation dans un encastrement

Cette laveuse/sécheuse peut être installée dans un encastrement. Pour les installations dans un encastrement, les distances de dégagement minimales sont indiquées sur l'étiquette d'avertissement à l'arrière de la sécheuse ou à la section « Dimensions/Distances de dégagement ».

Les dimensions d'installation sont en pouces et constituent le minimum applicable. Un espace supplémentaire peut être nécessaire pour faciliter l'installation, l'entretien et pour observer les codes et règlements locaux.

La sécheuse doit évacuer à l'extérieur.

Spécifications électriques pour la laveuse/sécheuse à gaz superposées

⚠ AVERTISSEMENT



Risque de choc électrique

Brancher sur une prise à 3 alvéoles reliée à la terre.

Ne pas enlever la broche de liaison à la terre.

Ne pas utiliser un adaptateur.

Ne pas utiliser un câble de rallonge.

Le non-respect de ces instructions peut causer un décès, un incendie ou un choc électrique.

IMPORTANT : La sécheuse doit être correctement reliée à la terre en conformité avec les codes et règlements locaux en vigueur, ou en l'absence de tels codes, avec le National Electrical Code, ANSI/NFPA 70 – dernière édition, ou le Code canadien des installations électriques, CSA C22.1. Si on utilise un conducteur distinct de mise à la terre lorsque les codes le permettent, il est recommandé qu'un électricien qualifié vérifie que la mise à la terre est adéquate.

Pour obtenir un exemplaire des normes des codes ci-dessus, contacter :

National Fire Protection Association
One Batterymarch Park, Quincy, MA 02269
CSA International
8501 East Pleasant Valley Road
Cleveland, Ohio 44131-5575

- Ne pas utiliser une tuyauterie de gaz pour le raccordement à la terre.
- Ne pas installer un fusible dans le conducteur neutre ou le circuit de mise à la terre.
- L'appareil doit être alimenté par un circuit de 120 V CA à 60 Hz seulement et protégé par fusible de 15 A ou 20 A. On recommande également d'utiliser un fusible ou un disjoncteur temporisé. Il est recommandé de raccorder la laveuse/sécheuse sur un circuit distinct exclusif à cet appareil.
- Cette laveuse/sécheuse comporte un cordon d'alimentation électrique à trois broches pour mise à la terre.
- Pour minimiser le risque de décharges électriques, on doit brancher le cordon sur une prise de courant de configuration correspondante, à 3 alvéoles, reliée à la terre et installée conformément aux codes et règlements locaux. Si une prise de courant de configuration correspondante n'est pas accessible, le client a la responsabilité et l'obligation de faire installer par un électricien qualifié une prise de courant correctement reliée à la terre.
- Si les codes le permettent et si on utilise un conducteur distinct de liaison à la terre, il est recommandé qu'un électricien qualifié vérifie la qualité de la liaison à la terre.
- En cas de doute quant à la qualité de la mise à la terre de la laveuse/sécheuse, consulter un électricien qualifié.

Mise à la terre de la laveuse/sécheuse à gaz superposées

INSTRUCTIONS DE LIAISON À LA TERRE

Pour une laveuse/sécheuse reliée à la terre et connectée par un cordon :

Cette laveuse/sécheuse doit être reliée à la terre. En cas d'anomalie de fonctionnement ou de panne, la liaison à la terre réduira le risque de choc électrique en offrant au courant électrique un itinéraire d'évacuation de moindre résistance. Cette laveuse/sécheuse est alimentée par un cordon électrique comportant un conducteur relié à la terre et une fiche de branchement munie d'une broche de liaison à la terre. La fiche doit être branchée sur une prise de courant appropriée qui est bien installée et reliée à la terre conformément à tous les codes et règlements locaux.

AVERTISSEMENT : Le raccordement incorrect de cet appareil au conducteur de liaison à la terre peut susciter un risque de choc électrique. En cas de doute quant à la qualité de la liaison à la terre de l'appareil, consulter un électricien ou technicien d'entretien qualifié.

Ne pas modifier la fiche de branchement fournie avec l'appareil — si la fiche ne correspond pas à la configuration de la prise de courant, demander à un électricien qualifié d'installer une prise de courant convenable.

Pour une laveuse/sécheuse raccordée en permanence : Cette laveuse/sécheuse doit être raccordée à un système de câblage permanent en métal relié à la terre ou un conducteur relié à la terre doit être en fonction avec les conducteurs de circuit et raccordés à la borne de liaison à la terre ou la borne sur l'appareil ménager.

CONSERVEZ CES INSTRUCTIONS

Alimentation en gaz de la laveuse/sécheuse à gaz superposées

⚠ AVERTISSEMENT



Risque d'explosion

Utiliser une canalisation neuve d'arrivée de gaz approuvée par CSA International.

Installer un robinet d'arrêt.

Bien serrer chaque organe de connexion de la canalisation de gaz.

En cas de connexion au gaz propane, demander à une personne qualifiée de s'assurer que la pression de gaz ne dépasse pas 330 mm (13 po) de la colonne d'eau.

Par personne qualifiée, on comprend :

**le personnel autorisé de chauffage,
le personnel autorisé d'une compagnie de gaz, et
le personnel d'entretien autorisé.**

Le non-respect de ces instructions peut causer un décès, un explosion ou un incendie.

IMPORTANT : Observer les dispositions de tous les codes et règlements en vigueur. Cette installation doit être effectuée conformément avec les codes et règlements locaux. En l'absence de code local, l'installation doit satisfaire aux prescriptions de la norme American National Standard, National Fuel Gas Code ANSI Z223.1/NFPA 54 ou CAN/CSA B149.

Pour obtenir un exemplaire des normes des codes ci-dessus, contacter :

National Fire Protection Association
One Batterymarch Park, Quincy, MA 02269
CSA International
8501 East Pleasant Valley Road
Cleveland, Ohio 44131-5575

La conception de cette laveuse/sécheuse a été homologuée par CSA International pour une utilisation jusqu'à une altitude de 10 000 pi (3 048 m) au-dessus du niveau de la mer pour le débit thermique indiqué sur la plaque signalétique. Aucun réglage du brûleur n'est nécessaire lorsque la laveuse/sécheuse est utilisée à une altitude inférieure ou égale à cette valeur maximale.

Lorsque l'appareil est installé à une altitude supérieure à 10 000 pi (3 048 m), on doit réduire de 4 % le débit thermique du brûleur indiqué sur la plaque signalétique pour chaque tranche de 1 000 pi (305 m) d'augmentation de l'altitude. Pour obtenir de l'aide lors de la conversion à d'autres types de gaz ou l'installation de l'appareil à une altitude supérieure à 10 000 pi (3048 m), contacter la société de dépannage la plus proche.

CRITÈRES D'INSTALLATION POUR LA LAVEUSE/SÉCHEUSE ÉLECTRIQUES SUPERPOSÉES

Emplacement de la laveuse/sécheuse électriques superposées

⚠ AVERTISSEMENT



Risque d'explosion

Garder les matières et les vapeurs inflammables, telle que l'essence, loin de la sécheuse.

Ne pas installer dans un garage.

Le non-respect de ces instructions peut causer un décès, une explosion ou un incendie.

Le choix d'un emplacement approprié pour la laveuse/sécheuse en améliore le rendement tout en réduisant le bruit et le « déplacement » de la laveuse.

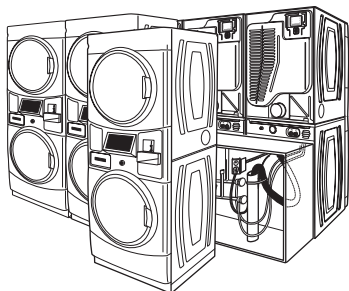
La laveuse/sécheuse peut être installée dans un sous-sol, une salle de buanderie ou un encastrement. Cette laveuse/sécheuse n'est pas conçue pour être installée dans une maison mobile ou un véhicule récréatif. Voir la section « Système de vidange de la laveuse » pour plus de renseignements.

Il faut aussi prendre en compte les exigences d'emplacement des appareils voisins.

IMPORTANT : Ne pas installer ou remiser la laveuse/sécheuse dans un endroit où elle sera exposée aux intempéries. Ne pas remiser ou faire fonctionner la laveuse/sécheuse à des températures égales ou inférieures à 32 °F (0 °C). Une quantité d'eau peut demeurer dans la laveuse et causer des dommages à des températures basses. C'est à l'utilisateur qu'incombe la responsabilité de réaliser une installation correcte.

Il vous faudra :

- Un chauffe-eau pour fournir de l'eau à 120 °F (49 °C) à la laveuse.
- Une prise électrique reliée à la terre située à moins de 6 pi (1,8 m) de la prise du cordon électrique se trouvant à l'arrière de la laveuse. Consulter les « Spécifications électriques ».
- Des robinets d'eau chaude et d'eau froide situés à 4 pi (1,2 m) des valves de remplissage d'eau chaude et d'eau froide, et une pression d'eau de 20 psi-100 psi (137,9 kPa-689,6 kPa).
- Un plancher de niveau ayant une pente maximale de 1 po (25 mm) sous l'ensemble de la laveuse/sécheuse. L'installation de la laveuse/sécheuse sur des surfaces de sol molles, telles que tapis ou surfaces avec sous-couche en mousse n'est pas recommandée.
- Un plancher robuste et solide capable de soutenir le poids total de la laveuse/sécheuse (eau et charge) de 450 lb (204 kg).
- Un égout au plancher sous le module de la cloison. Les coffrages préfabriqués équipés de prises électriques, tuyaux d'arrivée d'eau et conduites d'évacuation doivent être utilisés seulement là où les codes locaux l'autorisent.



Distances de dégagement pour l'installation pour la laveuse/sécheuse électriques superposées

- L'emplacement doit être assez grand pour permettre d'ouvrir complètement la porte de la laveuse et de la sécheuse.
- Prévoir davantage d'espace pour faciliter l'installation et l'entretien. Les portes s'ouvrent à plus de 180°. La porte de la laveuse est réversible.
- Un espace supplémentaire peut être requis pour les moulures de porte et de plancher et pour les plinthes.
- Un espace supplémentaire de 1 po (25 mm) de tous les côtés de la laveuse/sécheuse est recommandé pour réduire le transfert de bruit et pour améliorer les performances de rotation de la laveuse.
- Il faut aussi prendre en compte l'espace requis entre les appareils voisins.

Instructions d'installation dans un encastrement

Cette laveuse/sécheuse peut être installée dans un encastrement. Pour les installations dans un encastrement, les dimensions minimales de dégagement sont indiquées sur l'étiquette d'avertissement, à l'arrière de la sécheuse. Les dimensions d'installation sont en pouces et constituent le minimum applicable. Un espace supplémentaire peut être nécessaire pour faciliter l'installation, l'entretien et pour observer les codes et règlements locaux.

La sécheuse doit évacuer à l'extérieur.

Spécifications électriques de la laveuse/sécheuse superposées

Spécifications électriques de la laveuse.

⚠ AVERTISSEMENT



Risque de choc électrique

Brancher sur une prise à 3 alvéoles reliée à la terre ou 4 alvéoles reliée à la terre.

Ne pas enlever la broche de liaison à la terre.

Ne pas utiliser un adaptateur.

Ne pas utiliser un câble de rallonge.

Le non-respect de ces instructions peut causer un décès, un incendie ou un choc électrique.

- Ne pas installer un fusible dans le conducteur neutre ou le circuit de mise à la terre.
- Cette laveuse/sécheuse comporte un cordon d'alimentation électrique à trois broches pour mise à la terre.
- Pour minimiser le risque de décharges électriques, on doit brancher le cordon sur une prise de courant de configuration correspondante, à 3 alvéoles, reliée à la terre et installée conformément aux codes et règlements locaux. Si une prise de courant de configuration correspondante n'est pas accessible, le client a la responsabilité et l'obligation de faire installer par un électricien qualifié une prise de courant correctement reliée à la terre.
- Si les codes le permettent et si on utilise un conducteur distinct de liaison à la terre, il est recommandé qu'un électricien qualifié vérifie la qualité de la liaison à la terre.
- En cas de doute quant à la qualité de la mise à la terre de la laveuse, consulter un électricien qualifié.
- Cet appareil possède deux raccordements pour l'alimentation électrique. Chaque appareil doit être raccordé à un circuit protégé de façon individuelle. La laveuse et la sécheuse doivent être branchées sur des circuits individuels.

INSTRUCTIONS DE LIAISON À LA TERRE

Pour une laveuse/sécheuse reliée à la terre et connectée par un cordon :

Cette laveuse/sécheuse doit être reliée à la terre. En cas d'anomalie de fonctionnement ou de panne, la liaison à la terre réduira le risque de choc électrique en offrant au courant électrique un itinéraire d'évacuation de moindre résistance. Cette laveuse/sécheuse est alimentée par un cordon électrique comportant un conducteur relié à la terre et une fiche de branchement munie d'une broche de liaison à la terre. La fiche doit être branchée sur une prise de courant appropriée qui est bien installée et reliée à la terre conformément à tous les codes et règlements locaux.

AVERTISSEMENT : Le raccordement incorrect de cet appareil au conducteur de liaison à la terre peut susciter un risque de choc électrique. En cas de doute quant à la qualité de la liaison à la terre de l'appareil, consulter un électricien ou technicien d'entretien qualifié.

Ne pas modifier la fiche de branchement fournie avec l'appareil — si la fiche ne correspond pas à la configuration de la prise de courant, demander à un électricien qualifié d'installer une prise de courant convenable.

Pour une laveuse/sécheuse raccordée en permanence : Cette laveuse/sécheuse doit être raccordée à un système de câblage permanent en métal relié à la terre ou un conducteur relié à la terre doit être en fonction avec les conducteurs de circuit et raccordés à la borne de liaison à la terre ou la borne sur l'appareil ménager.

CONSERVEZ CES INSTRUCTIONS

Spécifications électriques de la sécheuse

C'est à l'utilisateur qu'incombe la responsabilité de :

- Contacter un électricien qualifié.
- S'assurer que le raccordement électrique est adéquat et conforme au code national de l'électricité, ANSI/NFPA 70 – dernière édition, et à tous les codes et règlements locaux en vigueur.
Le National Electrical Code impose un raccordement à 4 fils de l'alimentation électrique pour les maisons construites après 1996, les circuits de sécheuse modifiés après 1996.
Pour obtenir un exemplaire des normes des codes ci-dessus, contacter :
National Fire Protection Association
One Batterymarch Park,
Quincy, MA 02269.
- L'appareil doit être alimenté uniquement par un circuit monophasé à 3 ou 4 fils de 240 V CA, 60 Hz (ou 3 ou 4 fils, 120 V/208 V, si précisé sur la plaque signalétique) sur un circuit séparé et protégé par un fusible ou un disjoncteur de 30 A sur chacun des 2 câbles. On recommande d'utiliser un fusible ou un disjoncteur temporisé. On recommande également que cet appareil soit alimenté par un circuit indépendant. Ne pas avoir de fusible dans le circuit neutre ou de mise à la terre.
- Ne pas utiliser de câble de rallonge.
- Si les codes le permettent et si on utilise un conducteur distinct de liaison à la terre, il est recommandé qu'un électricien qualifié vérifie la qualité de la liaison à la terre.

Raccordement électrique

Pour installer la sécheuse de façon appropriée, il faut établir le type de raccords électriques que l'on utilisera et suivre les instructions de ce document.

- Cette sécheuse est prête à l'installation avec un raccordement à l'alimentation électrique à 3 fils. Le fil de terre neutre est définitivement raccordé au conducteur neutre (fil blanc) à l'intérieur de la sécheuse. Si la sécheuse est installée avec un raccordement à 4 fils à l'alimentation électrique, le fil de terre neutre doit être retiré de la vis du connecteur de terre externe (vis verte) et fixé sous la borne du neutre (fil du centre ou blanc) du bornier. Lorsque le fil de terre neutre est fixé sous la borne du neutre (fil du centre ou blanc) du bornier, la caisse de la sécheuse est isolée du conducteur neutre.
- Si les codes locaux n'autorisent pas le raccordement d'un conducteur de mise à la terre au fil neutre, voir « Raccordement optionnel à 3 fils ».
- Un raccordement à 4 fils de l'alimentation électrique doit être utilisé lorsque l'appareil est installé dans un lieu où la mise à la terre par le conducteur neutre est interdite. Il est interdit de relier l'appareil à la terre par l'intermédiaire du conducteur neutre dans les cas suivants : (1) nouvelle installation de circuit de dérivation, et (2) juridictions dans lesquelles le code local interdit la liaison à la terre par l'intermédiaire du conducteur neutre.

Cordon d'alimentation de la sécheuse

⚠ AVERTISSEMENT



Risque d'incendie

Utiliser un cordon d'alimentation électrique neuf homologué UL de 30 ampères.

Utiliser un réducteur de tension homologué UL.

Déconnecter la source de courant électrique avant de réaliser les connexions électriques.

Connecter le conducteur neutre (blanc ou conducteur central) à la borne centrale (argent).

Le conducteur de liaison à la terre (vert ou nu) doit être relié au connecteur vert de liaison à la terre.

Connecter les 2 conducteurs d'alimentation restants aux 2 bornes (or) restantes.

Bien serrer chaque organe de connexion du branchement électrique.

Le non-respect de cette instruction peut causer un décès, un incendie ou un choc électrique.

En cas d'utilisation d'un cordon d'alimentation :

Utiliser un ensemble de cordon d'alimentation électrique homologué UL marqué pour utilisation avec les sécheuses à vêtements. La trousse doit contenir :

- Un cordon d'alimentation électrique homologué UL de 30 A, 240 V minimum. Le câble doit être de type SRD ou SRDT et mesurer au moins 4 pi (1,22 m) de long. Les fils raccordés à la sécheuse doivent se terminer par des cosses rondes ou des cosses en « U » à fourche, à pointes relevées.
- Un serre-câbles (homologation UL).

Si la prise murale ressemble à ceci :



Prise murale à 4 conducteurs (14-30R)

Choisir un câble d'alimentation à 4 fils avec cosses rondes ou à fourche et un serre-câbles homologué UL. Le cordon d'alimentation électrique à 4 fils, d'au moins 4 pi (1,22 m) de long, doit avoir 4 fils en cuivre torsadés de calibre no 10 et une fiche à 4 fils correspondante de type NEMA 14-30R. Le fil de mise à la terre (le conducteur de mise à la terre) peut être vert ou nu. Le conducteur neutre doit être identifié par une gaine blanche.

Si la prise murale ressemble à ceci :



Prise murale à 3 conducteurs (10-30R)

Choisir un câble d'alimentation à 3 fils avec cosses rondes ou à fourche et un serre-câbles homologué UL. Le cordon d'alimentation électrique à 3 fils, d'au moins 4 pi (1,22 m) de long, doit comporter trois fils en cuivre torsadés de calibre no 10 et une fiche à 3 fils correspondante de type NEMA 10-30R.

Raccordement direct de la sécheuse

⚠️ AVERTISSEMENT



Risque d'incendie

- Utiliser du fil en cuivre solide de calibre 10.
- Utiliser un réducteur de tension homologué UL.
- Déconnecter la source de courant électrique avant de réaliser les connexions électriques.
- Connecter le conducteur neutre (blanc ou conducteur central) à la borne centrale (argent).
- Le conducteur de liaison à la terre (vert ou nu) doit être relié au connecteur vert de liaison à la terre.
- Connecter les 2 conducteurs d'alimentation restants aux 2 bornes (or) restantes.
- Bien serrer chaque organe de connexion du branchement électrique.
- Le non-respect de cette instruction peut causer un décès, un incendie ou un choc électrique.

Pour le raccordement direct :

Le câble d'alimentation doit correspondre à l'alimentation électrique (4 fils ou 3 fils) et être :

- Un câble en cuivre à gaine non métallique ou blindé souple (avec fil de mise à la terre), avec conduit métallique souple. Tous les fils sous tension doivent être isolés.
- Fil en cuivre plein de calibre 10 (ne pas utiliser d'aluminium).
- D'au moins 5 pi (1,52 m) de long.

EXIGENCES CONCERNANT L'ÉVACUATION DE LA SÉCHEUSE

⚠️ AVERTISSEMENT



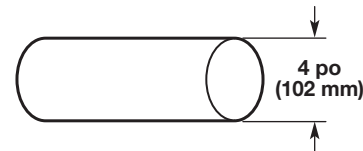
Risque d'incendie

- Utiliser un conduit d'évacuation en métal lourd.
- Ne pas utiliser un conduit d'évacuation en plastique.
- Ne pas utiliser un conduit d'évacuation en feuille de métal.
- Le non-respect de ces instructions peut causer un décès ou un incendie.

AVERTISSEMENT : Pour réduire le risque d'incendie, cette sécheuse doit ÉVACUER L'AIR À L'EXTÉRIEUR.

IMPORTANT : Observer les dispositions de tous les codes et règlements en vigueur.

Le conduit d'évacuation de la sécheuse ne doit pas être raccordé à une évacuation de gaz, une cheminée, un mur, un plafond, un grenier, un vide sanitaire ou un vide de construction. Seul un conduit d'évacuation métallique rigide ou flexible doit être utilisé pour le système d'évacuation.



Conduit d'évacuation en métal lourd de 4 po (102 mm)

- Utiliser uniquement un conduit d'évacuation en métal lourd de 4 po (102 mm) et des brides de serrage.
- Ne pas utiliser de conduit de plastique ou de métal très mince.

Conduit métallique rigide :

- Recommandé pour une performance de séchage idéale afin d'éviter tout écrasement ou déformation.

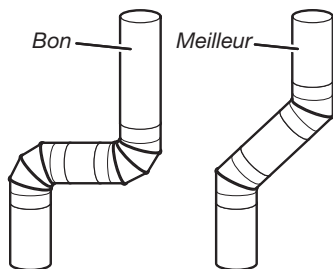
Conduit métallique flexible : (Acceptable uniquement si l'accès reste facile pour le nettoyage)

- Doit être entièrement déployé et soutenu à l'emplacement d'installation final de la sécheuse.
- Enlever tout excès de conduit flexible pour éviter tout affaissement et déformation susceptible de réduire la capacité d'évacuation et le rendement.
- Ne pas installer le conduit métallique flexible dans des cavités fermées de murs, plafonds ou planchers.
- La longueur totale ne doit pas dépasser 7 ¾ pi (2,4 m).

REMARQUE : Lors de l'utilisation d'un système d'évacuation existant, nettoyer et éliminer la charpie sur toute la longueur du système, et veiller à ce que l'évent d'évacuation ne soit pas obstrué par de la charpie. Remplacer tout conduit de plastique ou en aluminium par un conduit métallique rigide ou flexible. Consulter à nouveau le tableau des systèmes d'évacuations et modifier le système d'évacuation existant au besoin pour obtenir un meilleur séchage.

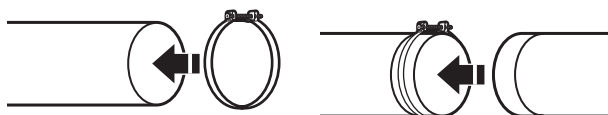
Coudes :

- Les coudes à 45° permettent une meilleure circulation de l'air que les coudes à 90°.



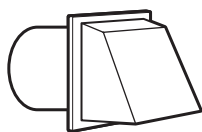
Brides de fixation :

- Utiliser des brides pour sceller tous les joints.
- Le conduit d'évacuation ne doit pas être raccordé ou fixé avec des vis ou tout autre dispositif de serrage qui se prolongerait à l'intérieur du conduit et retiendrait la charpie. Ne pas utiliser de ruban adhésif pour conduit.

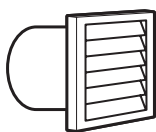


Hottes d'extraction

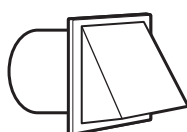
Clapets d'évacuation – Diamètre de 4 po (102 mm)



Clapet de type boîte



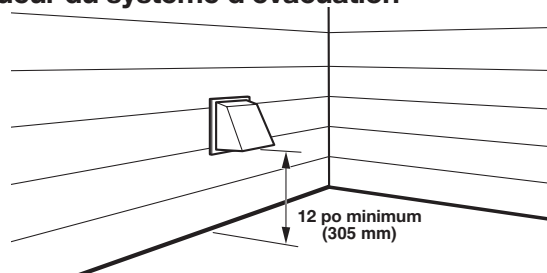
Clapet à persiennes



Évent incliné

Le clapet de décharge doit se trouver à au moins 12 po (305 mm) au-dessus du sol ou de tout autre objet susceptible de se trouver sur le trajet de l'air humide rejeté (par exemple, fleurs, roches, buissons ou neige).

Longueur du système d'évacuation



Longueur maximale du conduit/raccord

La longueur maximale du système d'évacuation dépend du type d'évacuation utilisé, du nombre de coudes et du type d'évent.

Tableau du système d'évacuation (évent en métal rigide)

Nbre de changements de direction à 90°	Évent carré et à lames	Évent incliné
0	64 pi (19,5 m)	58 pi (17,7 m)
1	54 pi (16,5 m)	48 pi (14,6 m)
2	44 pi (13,4 m)	38 pi (11,6 m)
3	35 pi (10,7 m)	29 pi (8,8 m)
4	27 pi (8,2 m)	21 pi (6,4 m)

Pour les systèmes d'évacuation autres que ceux indiqués dans le tableau des systèmes d'évacuation, consulter le revendeur de pièces.

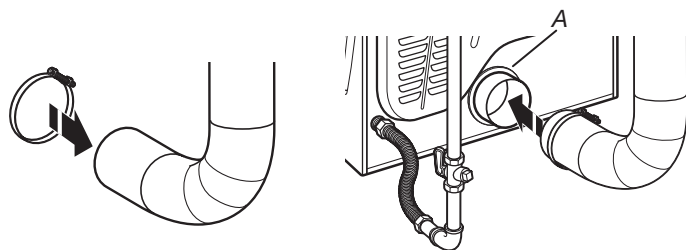
Prévoir un espace suffisant pour la combustion et la ventilation de l'air. (Vérifier les dispositions des codes et règlements en vigueur.) Voir « Instructions d'installation dans un encastrement » dans les sections « Emplacement de la laveuse/sécheuse à gaz superposées » et « Emplacement de la laveuse/sécheuse électriques superposées ».

Il est préférable d'utiliser une sortie de hotte de 4 po (102 mm). Cependant, on peut utiliser un clapet d'évacuation de 2 1/2 po (64 mm). Une sortie de 2 1/2 po (64 mm) cause davantage de contre-pression que les autres types d'installation.

Pour une installation permanente, un système d'évacuation fixe est requis.

Raccordement du conduit d'évacuation

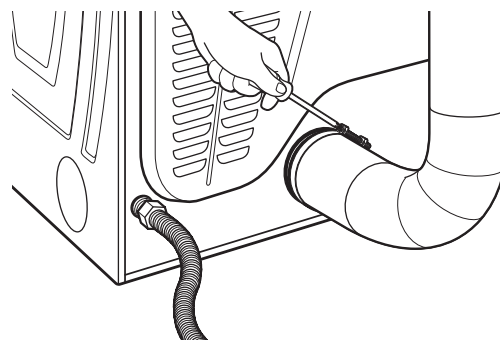
1. Si on utilise le conduit d'évacuation existant, s'assurer qu'il est propre.
2. À l'aide d'une bride de fixation de 4 po (102 mm), relier le conduit d'évacuation à la bouche d'évacuation de la sécheuse.



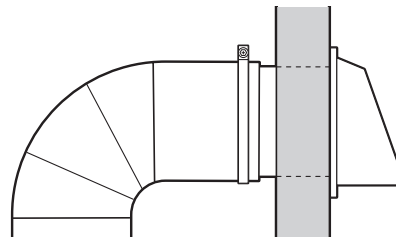
A. Raccord de sortie

REMARQUE : Ne pas enlever le raccord de sortie.

3. Serrer la bride de serrage de tuyau avec un tournevis à tête cruciforme.



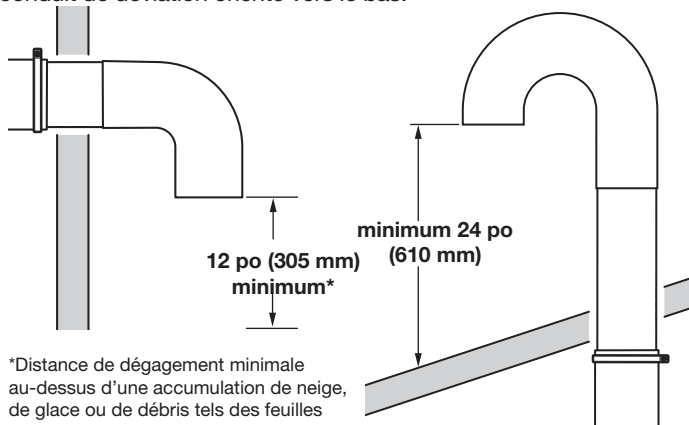
4. S'assurer que le conduit d'évacuation est fixé au clapet d'évacuation à l'aide d'une bride de fixation de 4 po (102 mm).



5. Placer la sécheuse à son emplacement final. Ne pas écraser ni pincer le conduit d'évacuation. Vérifier que la sécheuse est d'aplomb.

Si on ne peut pas utiliser d'évent d'évacuation

L'extérieur du conduit d'évacuation principal doit comporter un conduit de déviation orienté vers le bas.



*Distance de dégagement minimale au-dessus d'une accumulation de neige, de glace ou de débris tels des feuilles

Si le conduit principal monte verticalement à travers le toit et non à travers le mur, installer un coude de déviation à 180° à l'extrémité du conduit d'au moins 2 pi (610 mm) au-dessus de la surface ou du toit.

Le diamètre de l'ouverture dans le toit ou le mur doit être supérieur de 1/2 po (13 mm) à celui du conduit. Le conduit doit être centré dans l'ouverture.

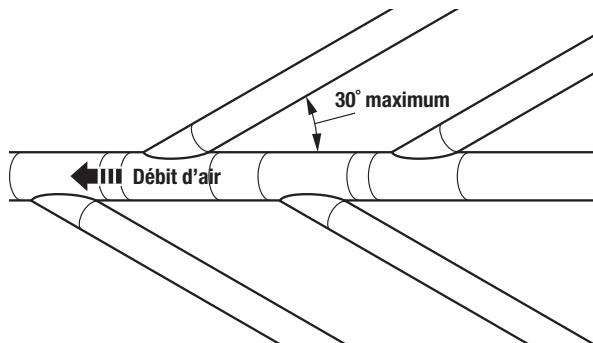
Pour de meilleures performances, ne pas installer de grillage à l'extrémité de l'évacuation.

Évacuation pour plusieurs sècheuses

On peut utiliser un conduit principal pour assurer l'évacuation d'un ensemble de sècheuses. La taille du conduit principal doit permettre une évacuation de 200 CFM d'air pour chaque sècheuse. On peut utiliser des filtres à charpie haute capacité correctement conçus dans le conduit principal s'ils sont inspectés et nettoyés régulièrement. La pièce dans laquelle se trouvent les sècheuses doit comporter un système d'air d'appoint au moins égal au pi^3/min de toutes les sècheuses qui se trouvent dans la pièce.

Un ensemble de clapet antiretour, référence no 3391910, est offert auprès de votre distributeur et doit être installé sur la ligne d'évacuation de chaque sècheuse pour éviter que l'air évacué revienne dans les sècheuses et pour maintenir l'évacuation en équilibre avec le conduit de sortie principal. Des ouvertures dégagées pour le retour d'air sont nécessaires.

Chaque conduit doit pénétrer dans le conduit principal en direction du mouvement de circulation de l'air. Les évacuations par l'autre côté doivent être placées en quinconce (décalées) pour réduire les interférences avec l'air sortant des autres évacuations en face.



L'inclinaison maximale de chaque conduit qui pénètre dans le conduit principal ne doit pas dépasser 30°.

SPÉCIFICATIONS DE L'ALIMENTATION DE LA SÈCHEUSE À GAZ

⚠ AVERTISSEMENT



Risque d'explosion

Utiliser une canalisation neuve d'arrivée de gaz approuvée par CSA International.

Installer un robinet d'arrêt.

Bien serrer chaque organe de connexion de la canalisation de gaz.

En cas de connexion au gaz propane, demander à une personne qualifiée de s'assurer que la pression de gaz ne dépasse pas 330 mm (13 po) de la colonne d'eau.

Par personne qualifiée, on comprend :

le personnel autorisé de chauffage,
le personnel autorisé d'une compagnie de gaz, et
le personnel d'entretien autorisé.

Le non-respect de ces instructions peut causer un décès, un explosion ou un incendie.

Cette sècheuse n'est pas équipée d'un raccord de gaz dans le collecteur. Un installateur qualifié doit utiliser un raccord d'union homologué conforme à la norme pour les raccords des appareils à gaz ANSI Z21.24 CSA 6.10 pour raccorder la sècheuse à la tuyauterie d'alimentation en gaz. Voir le graphique de connexion de l'alimentation.

Type de gaz

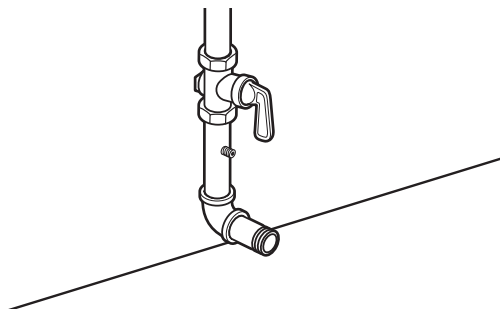
Cette sècheuse est équipée pour une alimentation au gaz naturel. Elle est homologuée par UL pour l'alimentation au gaz propane après conversion appropriée. Ne pas entreprendre de convertir la sècheuse pour une utilisation avec un gaz différent de celui indiqué sur la plaque signalétique sans consulter le fournisseur de gaz au préalable. L'opération de conversion doit être exécutée par un technicien de réparation qualifié.

Les numéros de pièce de l'ensemble de conversion de gaz sont indiqués sur la base des brûleurs.

Conduite de gaz

Méthode recommandée

Installer une canalisation de gaz rigide de 1/2 po (13 mm) jusqu'à l'emplacement d'installation de la sècheuse. On doit utiliser un composé d'étanchéité des tuyauteries résistant à l'action du gaz propane. Ne pas utiliser de ruban TEFLON[†]. Pour l'alimentation au propane, le diamètre des canalisations ou tuyaux doit être de 1/2 po (13 mm) minimum. En général, le fournisseur de gaz propane détermine les matériaux à utiliser et le diamètre approprié.



[†] TEFLON est une marque déposée de Chemours.

Épreuve sous pression de l'alimentation en gaz

Un piquage bouché de 1/8 po (3 mm) NPT minimum, accessible pour le contrôle de pression, doit être installé immédiatement en aval du robinet d'arrêt installé pour la sécheuse (comme illustré ci-dessous). Lors de toute épreuve de pressurisation du système à une pression supérieure à 1/2 lb/po² (352 kg/m²), on doit déconnecter la sécheuse de la tuyauterie de l'alimentation en gaz.

Méthode alternative

L'alimentation en gaz peut aussi être raccordée à l'aide d'un conduit en cuivre ou en aluminium homologué de 3/8 po (10 mm). Si la longueur totale de la canalisation d'alimentation est supérieure à 20 pi (6,1 m), utiliser un conduit de taille supérieure

Pour le gaz naturel, ne pas utiliser de conduits en cuivre. On doit utiliser un composé d'étanchéité des tuyauteries résistant à l'action du gaz d'alimentation.

Robinet d'arrêt nécessaire

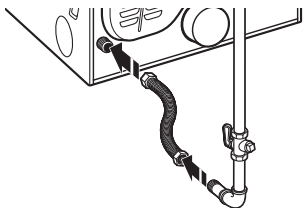
La canalisation d'alimentation doit comporter un robinet d'arrêt individuel manuel installé à 6 pi (1,8 m) maximum de la sécheuse conformément au National Fuel Gas Code, ANSI Z223.1. Le robinet doit se trouver dans la même pièce que la sécheuse. Il doit se trouver en un endroit facilement accessible pour les manœuvres d'ouverture/fermeture. Ne pas entraver l'accès au robinet d'arrêt manuel.

Raccord métallique flexible

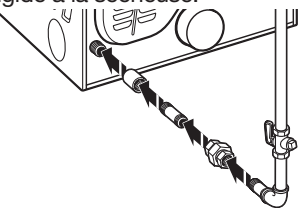
Il est recommandé d'utiliser une nouvelle conduite de gaz flexible en acier inoxydable, dont la conception a été certifiée par CSA International, pour raccorder la sécheuse à la conduite d'alimentation en gaz (la conduite de gaz qui traverse la partie inférieure arrière de la sécheuse est pourvue d'un filetage mâle de 3/8 po [10 mm]).

REMARQUE : Ne pas déformer/endommager la canalisation en acier inoxydable flexible lors du déplacement de la sécheuse.

Raccordement par un ensemble rigide



On doit utiliser un ensemble de raccords pour réaliser un raccordement rigide à la sécheuse.



INSTALLATION DE LA LAVEUSE/ SÉCHEUSE SUPERPOSÉES

Élimination des accessoires de transport

REMARQUE : Faire glisser la sécheuse sur le carton ou le panneau dur avant de la déplacer pour éviter d'endommager le revêtement du sol.

⚠ AVERTISSEMENT

Risque du poids excessif

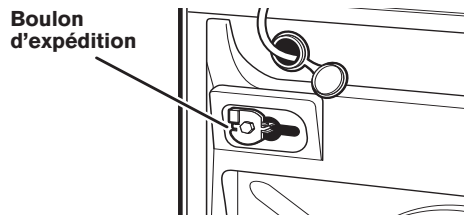
Utiliser deux ou plus de personnes pour déplacer et installer la laveuse/sécheuse.

Le non-respect de cette instruction peut causer une blessure au dos ou d'autre blessure.

IMPORTANT : Positionner la laveuse/sécheuse de sorte que l'arrière de la laveuse se trouve à environ 3 pi (900 mm) de son emplacement final.

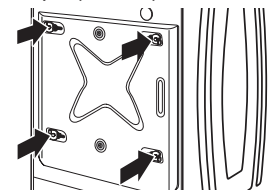
Sur le panneau arrière de la laveuse, quatre boulons de calage supportent le système de suspension durant le transport. Ces boulons retiennent aussi le cordon d'alimentation à l'intérieur de la laveuse jusqu'à ce qu'on les retire.

1. La laveuse/sécheuse doit se trouver en position verticale lors du retrait des boulons de calage.



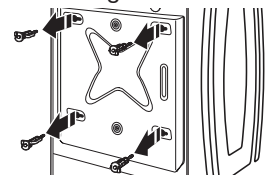
Boulon d'expédition avec cale en plastique

2. À l'aide d'une clé de 1/2 po (13 mm), desserrer chaque boulon.



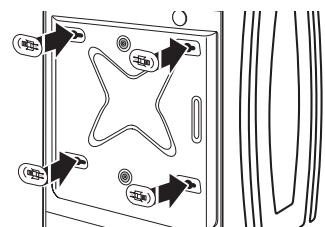
3. Une fois le boulon desserré, déplacer les boulons vers le centre du trou et les retirer complètement, y compris l'entretoise en plastique, puis les ranger dans un endroit où ils pourront être utilisés si l'unité doit être déplacée à une date ultérieure.

IMPORTANT : Si la laveuse doit être transportée ultérieurement, appeler votre centre de service local pour obtenir de nouveaux boulons de transport si le jeu d'origine a été égaré. La machine doit être transportée en position verticale. Pour éviter d'endommager la structure ou la suspension de la laveuse, celle-ci doit être correctement installée pour pouvoir être déplacée par un technicien agréé.



4. Modèles avec des cordons d'alimentation pour laveuse séparés : Enfoncer la fiche du cordon d'alimentation dans l'ouverture à droite du panneau arrière et tirer le cordon d'alimentation à travers l'ouverture à gauche du panneau arrière, puis boucher les trous à l'aide du capuchon fourni. Ne pas tirer l'extrémité du côté fiche du cordon d'alimentation par le trou de droite.

REMARQUE : Pour éviter d'endommager les parties internes de la laveuse ou le cordon d'alimentation, si le cordon se retire difficilement du panneau arrière de la laveuse, ne pas forcer dessus. Retirer le panneau arrière de la laveuse et introduire le cordon d'alimentation de manière à ce qu'il contourne l'obstacle puis le faire ressortir par le trou du côté gauche du panneau arrière.

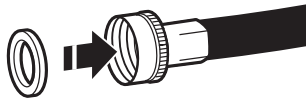


- Obturer les trous des boulons de transport avec les quatre bouchons prévus à cet effet.

IMPORTANT : Si la laveuse/sécheuse doit être transportée, appeler le revendeur ou l'installateur du produit. Pour éviter d'endommager la suspension et la structure de la laveuse/sécheuse, celle-ci doit être correctement préparée pour déplacement éventuel par un technicien certifié.

Raccordement des tuyaux d'alimentation

Insérer les rondelles de tuyau neuves (fournies) dans chaque extrémité des tuyaux d'arrivée d'eau. Insérer fermement les rondelles dans les raccords.

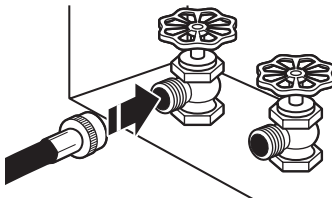


Rondelle Raccord

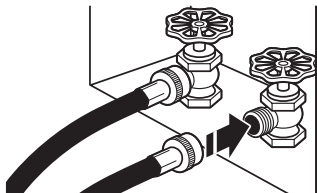
Connecter les tuyaux d'arrivée d'eau aux robinets

S'assurer que le tambour de la laveuse est vide.

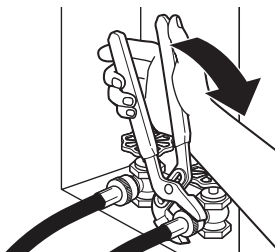
- Fixer un tuyau au robinet d'eau chaude. Visser complètement le raccord à la main pour qu'il comprime la rondelle.



- Fixer un tuyau au robinet d'eau froide. Visser complètement le raccord à la main pour qu'il comprime la rondelle.



- Terminer le serrage des raccords de deux tiers de tour en utilisant une pince.



REMARQUE : Ne pas serrer excessivement ou utiliser du ruban adhésif ou un calfeutrant sur le robinet. Les robinets risquent d'être endommagés.

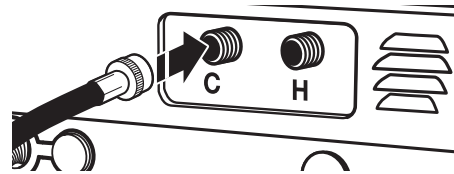
Purger les canalisations d'eau

- Laisser s'écouler l'eau des deux robinets et tuyaux d'arrivée d'eau dans un évier de buanderie, un tuyau rigide de rejet à l'égout ou un seau pour éliminer les particules se trouvant dans les canalisations d'eau qui pourraient obstruer les tamis de la valve d'arrivée d'eau.
- Vérifier la température de l'eau pour s'assurer que le tuyau d'eau chaude est connecté au robinet d'eau chaude et que le tuyau d'eau froide est connecté au robinet d'eau froide.

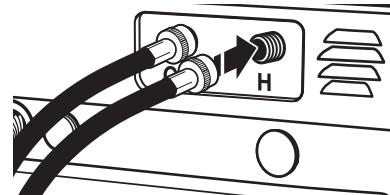


Connecter les tuyaux d'arrivée d'eau à la laveuse

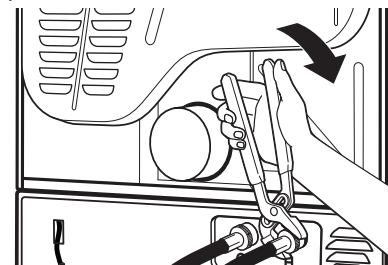
- Fixer le tuyau d'eau froide au robinet d'arrivée d'eau froide de la laveuse. Visser complètement le raccord à la main pour qu'il comprime la rondelle.



- Fixer le tuyau d'eau chaude au robinet d'arrivée d'eau chaude de la laveuse. Visser complètement le raccord à la main pour qu'il comprime la rondelle.

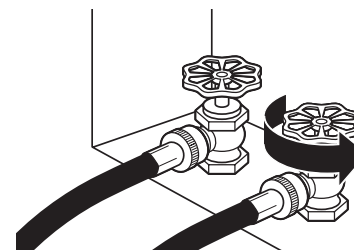


- Terminer le serrage des raccords de deux tiers de tour en utilisant une pince.



REMARQUE : Ne pas serrer excessivement. Les robinets risquent d'être endommagés.

- Ouvrir les robinets d'eau complètement et vérifier s'il y a des fuites.



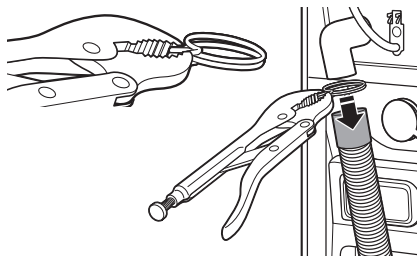
REMARQUE : Remplacer les tuyaux d'arrivée d'eau après 5 ans d'utilisation pour réduire le risque de défaillance intempestive. Inscrire la date d'installation ou de remplacement du tuyau sur celui-ci, pour référence ultérieure. Inspecter périodiquement les tuyaux et les remplacer en cas de renflement, de déformation, de coupure, d'usure ou de fuite.

Acheminer le tuyau d'évacuation

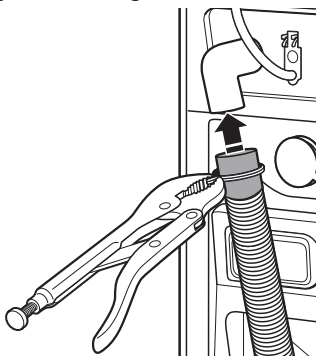
Le bon acheminement du tuyau de vidange évite d'endommager le sol à cause de fuites d'eau. Lire et suivre ces instructions.

Retirer le tuyau de vidange du tambour de la laveuse

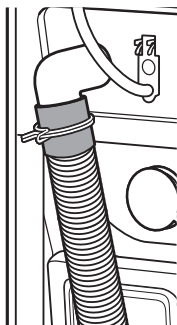
1. À l'aide d'une pince multiprise, serrer les deux onglets de la bride de tuyau et insérer la bride sur l'extrémité du tuyau de vidange.



2. Faire glisser le tuyau de vidange sur le raccord de la laveuse.



3. Une fois le tuyau de vidange en place, relâcher la prise de la pince.



4. Le système de vidange de la laveuse peut être installé à l'aide d'un avaloir au sol, un tuyau rigide de rejet à l'égout mural, un tuyau rigide de rejet à l'égout au sol ou un évier de buanderie.

Vidange de l'eau de lavage dans un évier de buanderie ou tuyau de rejet à l'égout

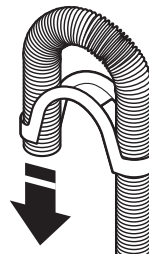
Connecter la bride de retenue pour tuyau de vidange sur le tuyau de vidange ondulé.

Emboîter une extrémité ou l'autre de la bride de retenue pour tuyau de vidange sur le tuyau de vidange, au point de commencement des ondulations.



Plier le tuyau de vidange pour le mettre au contact de la bride de retenue du tuyau de vidange, et emboîter l'autre extrémité de la bride sur le tuyau.

REMARQUE : L'extrémité du tuyau ne doit pas dépasser de plus de 1 po (25 mm) de la bride de retenue.



Pour empêcher l'eau de vidange de refluer dans la laveuse :

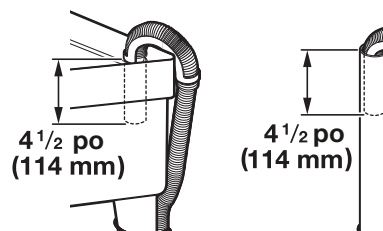
- Ne pas redresser le tuyau de vidange ni forcer l'excédent de tuyau dans le tuyau rigide de rejet à l'égout. Le tuyau doit être bien immobilisé, tout en permettant le passage d'air.
- Ne pas mettre l'excédent du tuyau de vidange dans le fond de l'évier de buanderie.

Vidange au plancher

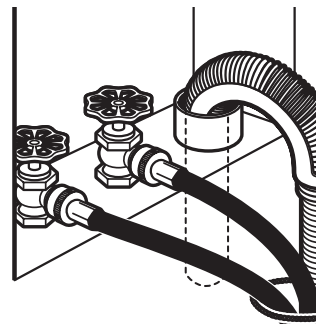
Il vous faudra peut-être des pièces supplémentaires. Voir la section « Pièces supplémentaires ».

Immobiliser le tuyau de vidange

1. Faire passer le cordon d'alimentation par-dessus la laveuse.
2. Déplacer la laveuse à son emplacement final.
3. Placer le tuyau de vidange dans l'évier de buanderie ou le tuyau de rejet à l'égout – voir l'illustration.



4. Immobiliser le tuyau de vidange avec l'attache de fixation perlée fournie.
5. Si les robinets d'eau et le tuyau rigide de rejet à l'égout sont placés en retrait, introduire l'extrémité en crochet du tuyau de vidange dans le tuyau rigide de rejet à l'égout – voir l'illustration.



REMARQUES :

- Ne pas forcer l'excédent de tuyau de vidange dans l'arrière de la laveuse.
- Pour éviter un effet de siphon, ne pas assurer l'étanchéité à la jonction entre le tuyau de vidange et le tuyau de rejet à l'égout.
- Il incombe à l'installateur d'installer et de fixer solidement le tuyau de vidange à la canalisation d'évacuation de manière que le tuyau de vidange ne puisse sortir et causer d'éventuelles fuites de la canalisation d'évacuation.

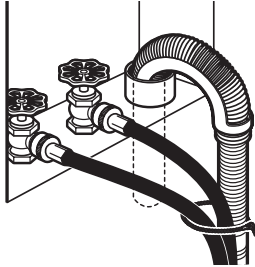
SYSTÈME DE VIDANGE DE LA LAVEUSE

La laveuse peut être installée en utilisant le système de rejet à l'égout (au plancher ou au mur), le système de vidange de l'évier de buanderie ou la vidange au plancher.

Système de vidange avec tuyau rigide de rejet à l'égout – mural ou au sol

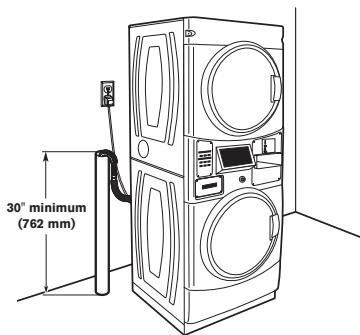
Le système de rejet à l'égout nécessite un tuyau de diamètre minimum de 2 po (50 mm). La capacité minimale d'acheminement ne doit pas être inférieure à 10 gallons. (38 L) par minute.

Mur



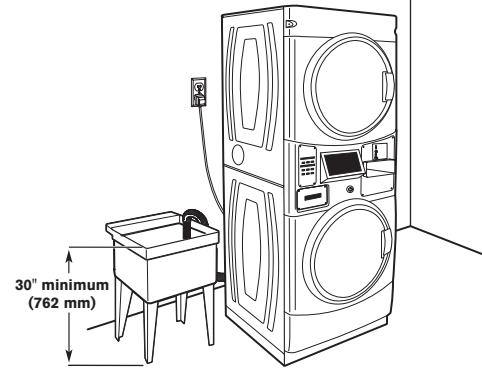
Le sommet du tuyau de rejet à l'égout doit être au moins à 30 po (762 mm) de hauteur et au maximum à 96 po (2,4 m) de la base de la laveuse.

Sol



Système de vidange dans un évier de buanderie

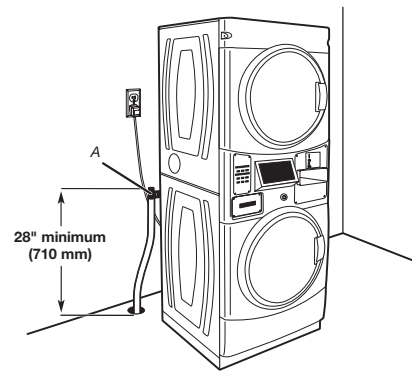
L'évier de buanderie doit avoir une capacité minimale de 20 gallons. (76 L). La partie supérieure de l'évier de buanderie doit être à au moins 30 po (762 mm) au-dessus du sol.



Système de vidange au sol

Le système de vidange au plancher nécessite un brise-siphon qui peut être acheté séparément.

Le brise-siphon (pièce numéro 285834) doit se trouver au moins à 28 po (710 mm) de la base de la laveuse. Des tuyaux supplémentaires peuvent s'avérer nécessaires.



A. Brise-siphon

RACCORDEMENTS DE LA SÈCHEUSE ÉLECTRIQUE

Options de raccordement électrique			
Si votre emplacement possède :	Et la connexion est effectuée à :	Voir la section	
Prise murale à 4 fils (type NEMA 14-30R)		Cordon d'alimentation homologué UL, 120 V/240 V minimum, 30 A pour sècheuse*	Câble d'alimentation à 4 fils
Prise murale à 3 fils (type NEMA 10-30R)		Cordon d'alimentation homologué UL, 120 V/240 V minimum, 30 A pour sècheuse*	Câble d'alimentation à 3 fils
Direct – 4 fils		Disjoncteur ou coupe-circuit avec fusible*	Connexion à 4 conducteurs par câblage direct
Direct – 3 fils		Disjoncteur ou coupe-circuit avec fusible*	Connexion à 3 conducteurs par câblage direct

* Si les codes locaux n'autorisent pas le raccordement d'un conducteur de masse de la caisse au fil neutre, voir la section « Raccordement optionnel à 3 fils ».

Cordon d'alimentation

AVERTISSEMENT



Risque d'incendie

Utiliser un cordon d'alimentation électrique neuf homologué UL de 30 ampères.

Utiliser un réducteur de tension homologué UL.

Déconnecter la source de courant électrique avant de réaliser les connexions électriques.

Connecter le conducteur neutre (blanc ou conducteur central) à la borne centrale (argent).

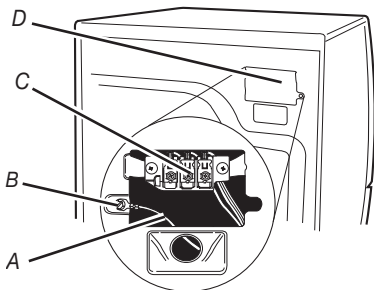
Le conducteur de liaison à la terre (vert ou nu) doit être relié au connecteur vert de liaison à la terre.

Connecter les 2 conducteurs d'alimentation restants aux 2 bornes (or) restantes.

Bien serrer chaque organe de connexion du branchement électrique.

Le non-respect de cette instruction peut causer un décès, un incendie ou un choc électrique.

1. Débrancher l'alimentation.
2. Retirer la vis de retenue et le couvercle du bornier.



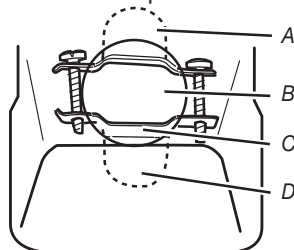
- A. Connecteur neutre de mise à la terre
- B. Vis du conducteur de terre externe
- C. Vis de la borne centrale
- D. Couvercle du bornier et vis de retenue

3. Installation du serre-câbles du câble d'alimentation.

Serre-câbles du câble d'alimentation :

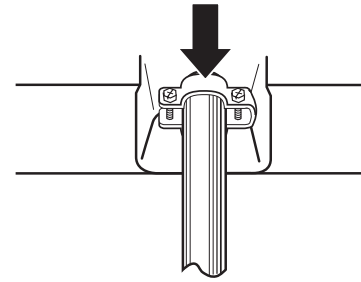
Retirer les vis d'un serre-câbles homologué UL de 3/4 po (19 mm). Placer les languettes des deux moitiés de pince dans le trou sous l'ouverture du bornier, de sorte qu'une d'entre elles pointe vers le haut et l'autre vers le bas. Maintenir en place.

Serrer les vis du serre-câbles juste assez pour maintenir ensemble les deux moitiés de pince.



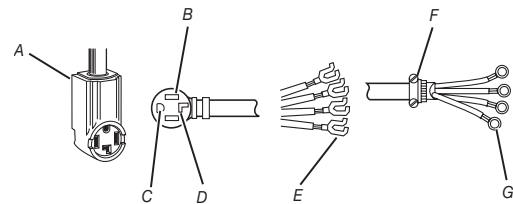
- A. Languette du serre-câbles orientée vers le haut
- B. Trou sous l'ouverture du bornier
- C. Bride de fixation
- D. Languette du serre-câbles orientée vers le bas

- Passer le cordon d'alimentation à travers le serre-câbles. Vérifier que la gaine d'isolation du cordon d'alimentation rentre à l'intérieur du serre-câbles. Le serre-câbles doit être bien relié à la caisse de la sècheuse et se trouver en position horizontale. Ne pas visser davantage les vis du serre-câbles à ce stade.



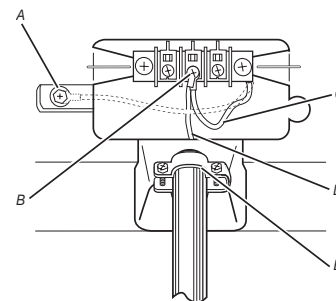
Câble d'alimentation à 4 fils :

IMPORTANT : Un raccordement à 4 fils est obligatoire lorsque les codes locaux n'autorisent pas l'utilisation de raccordements à 3 fils.



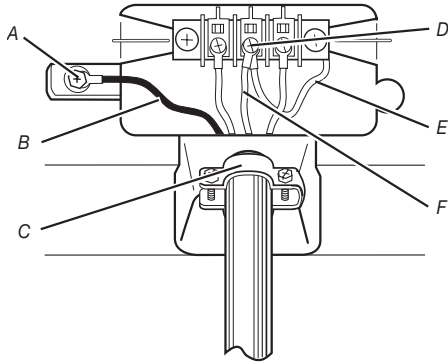
- A. Prise murale à 4 fils (type NEMA 14-30R)
- B. Prise à 4 broches
- C. Broche de liaison à la terre
- D. Broche pour neutre
- E. Cosses en fourche à pointes relevées
- F. Serre-câbles (homologation UL) de 3/4 po (19 mm).
- G. Cosses rondes

1. Retirer la vis de la borne centrale.
2. Retirer le conducteur de terre neutre de la vis du conducteur de terre externe. Connecter le conducteur de terre neutre et le conducteur neutre (blanc ou central) du câble d'alimentation sous la vis de la borne centrale. Serrer la vis.



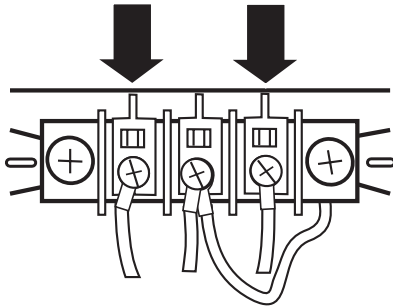
- A. Vis du conducteur de liaison à la terre externe – La ligne pointillée indique la position du fil de terre NEUTRE avant d'être déplacée vers la vis de la borne centrale.
- B. Vis de la borne centrale
- C. Connecteur neutre de mise à la terre
- D. Fil neutre (fil blanc ou central)
- E. Serre-câbles (homologation UL) de 3/4 po (19 mm).

3. Connecter le conducteur (vert ou nu) de liaison à la terre du câble d'alimentation à la vis du conducteur de liaison à la terre externe. Serrer la vis.



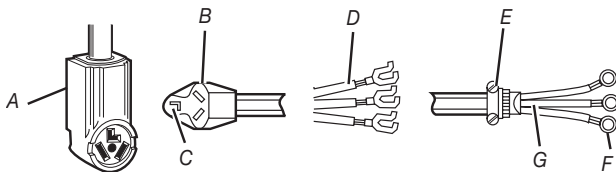
- A. Vis du conducteur de terre externe
- B. Fil de terre (vert ou nu) du câble d'alimentation
- C. Serre-câbles (homologation UL) de 3/4 po (19 mm).
- D. Vis de la borne centrale
- E. Connecteur neutre de mise à la terre
- F. Fil neutre (fil blanc ou central)

4. Connecter les autres conducteurs aux vis les plus à l'extérieur du bornier. Serrer les vis.

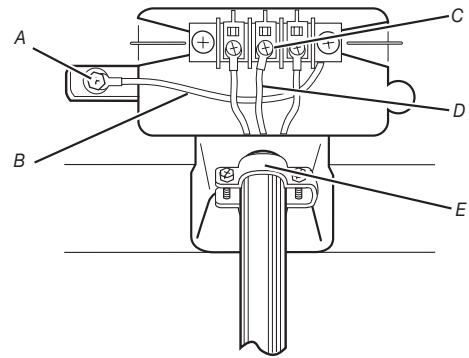


- 5. Serrer les vis de serre-câbles.
- 6. Placer la languette du couvercle du bornier dans la fente du panneau arrière de la sécheuse. Fixer le couvercle avec la vis de retenue.
- 7. Le raccordement électrique est maintenant terminé.

Câble d'alimentation à 3 fils :



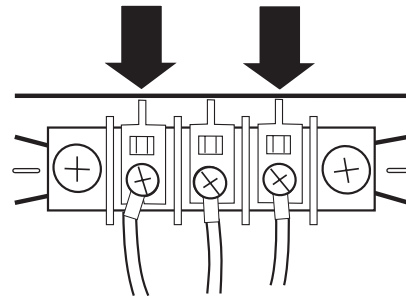
- A. Prise murale à 3 fils (type NEMA 10-30R)
- B. Fiche à 3 broches
- C. Broche pour neutre
- D. Cosses en fourche à pointes relevées
- E. Serre-câbles (homologation UL) de 3/4 po (19 mm).
- F. Cosses rondes
- G. Neutre (fil blanc ou central)



- A. Vis du conducteur de terre externe
- B. Connecteur neutre de mise à la terre
- C. Vis de la borne centrale
- D. Fil neutre (fil blanc ou central)
- E. Serre-câbles (homologation UL) de 3/4 po (19 mm).

À utiliser lorsque les codes locaux autorisent la connexion du conducteur de masse de la caisse au conducteur neutre.

- 1. Desserrer ou retirer la vis de la borne centrale du bornier.
- 2. Connecter le conducteur neutre (blanc ou central) du câble d'alimentation à la vis de la borne centrale du bornier. Serrer la vis.
- 3. Connecter les autres conducteurs aux vis les plus à l'extérieur du bornier. Serrer les vis.



- 4. Serrer les vis de serre-câbles.
- 5. Placer la languette du couvercle du bornier dans la fente du panneau arrière de la sécheuse. Fixer le couvercle avec la vis de retenue.
- 6. Le raccordement électrique est maintenant terminé.

Méthode de raccordement direct

AVERTISSEMENT

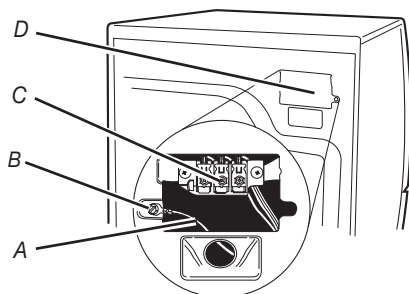


Risque d'incendie

- Utiliser du fil en cuivre solide de calibre 10.
- Utiliser un réducteur de tension homologué UL.
- Déconnecter la source de courant électrique avant de réaliser les connexions électriques.
- Connecter le conducteur neutre (blanc ou conducteur central) à la borne centrale (argent).
- Le conducteur de liaison à la terre (vert ou nu) doit être relié au connecteur vert de liaison à la terre.
- Connecter les 2 conducteurs d'alimentation restants aux 2 bornes (or) restantes.
- Bien serrer chaque organe de connexion du branchement électrique.
- Le non-respect de cette instruction peut causer un décès, un incendie ou un choc électrique.

Le câble à raccordement direct doit correspondre à l'alimentation électrique (4 fils ou 3 fils) et être :

- Un câble en cuivre à gaine non métallique ou blindé souple (avec fil de liaison à la terre), avec conduit métallique souple. Tous les fils sous tension doivent être isolés.
 - Conducteur en cuivre de calibre 10 (ne pas utiliser d'aluminium).
 - D'au moins 5 pi (1,52 m) de long.
1. Débrancher l'alimentation.
 2. Retirer la vis de retenue et le couvercle du bornier.

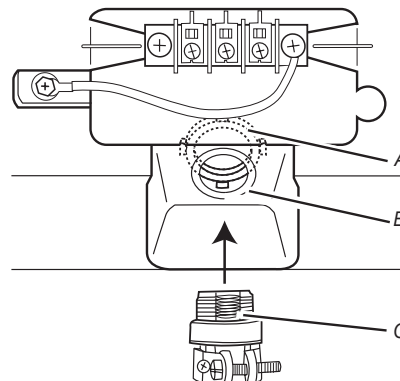


- A. Connecteur neutre de mise à la terre
- B. Vis du conducteur de terre externe
- C. Vis de la borne centrale
- D. Couvercle du bornier et vis de retenue

3. Installer le serre-câbles pour raccordement direct.
4. Terminer l'installation en suivant les instructions selon le type de connexion électrique :
 - **4 conducteurs** (méthode recommandée)
 - **3 conducteurs** (si un circuit à quatre conducteurs n'est pas disponible)

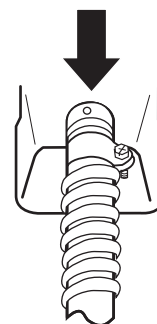
Serre-câbles pour raccordement direct :

- Dévisser le raccord de conduit amovible et les vis d'un serre-câbles homologué UL de 3/4 po (19 mm). Visser la partie filetée du serre-câbles dans le trou sous l'ouverture du bornier. En passant par l'ouverture du bornier, visser le connecteur de conduit amovible sur le filetage du serre-câbles.



- A. Connecteur de conduit amovible
- B. Trou sous l'ouverture du bornier
- C. Filetage du serre-câbles

- Passer le câble à raccordement direct à travers le serre-câbles. Le serre-câbles doit être bien relié à la caisse de la sècheuse et se trouver en position horizontale. Serrer la vis du serre-câbles autour du câble à raccordement direct.

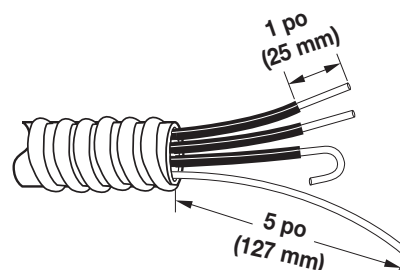


Connexion à 4 conducteurs par câblage direct :

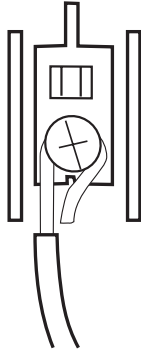
IMPORTANT : Un raccordement à 4 fils est obligatoire lorsque les codes locaux n'autorisent pas l'utilisation de raccordements à 3 fils.

Le câble à raccordement direct doit avoir une longueur supplémentaire de 5 pi (1,52 m) pour pouvoir déplacer la sècheuse si nécessaire.

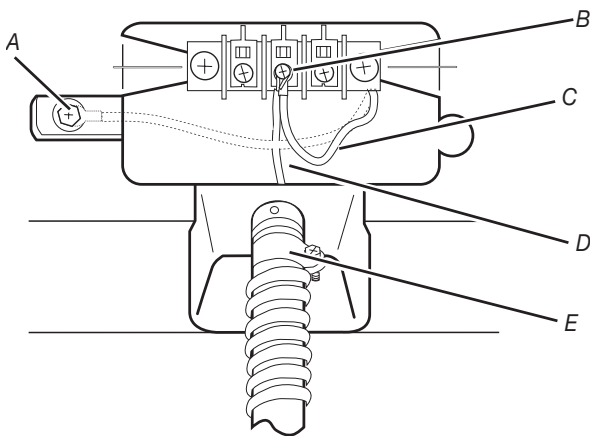
Dénuder une longueur de 5 po (127 mm) de gaine extérieure à l'extrémité du câble, en laissant le conducteur de mise à la terre nu à la longueur de 5 po (127 mm). Couper 1 1/2 po (38 mm) des trois conducteurs restants. Dénuder les conducteurs sur une longueur de 1 po (25 mm). Former des crochets aux extrémités des conducteurs.



Lors du raccordement du bornier, placer le fil en crochet sous la vis du bornier (crochet vers la droite), rapprocher les extrémités du crochet et serrer la vis, comme indiqué.

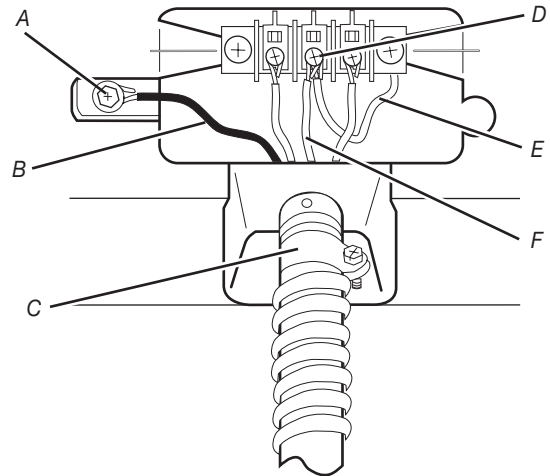


1. Retirer la vis de la borne centrale.
2. Retirer le conducteur de terre neutre de la vis du conducteur de terre externe. Connecter le conducteur de terre neutre et placer le crochet d'extrémité (crochet vers la droite) du conducteur neutre (blanc ou central) du câble à raccordement direct sous la vis de la borne centrale du bornier. Rapprocher les extrémités du crochet. Serrer la vis.



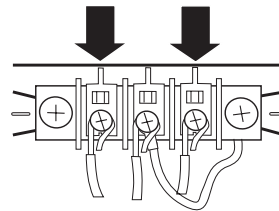
- A. Vis du conducteur de liaison à la terre externe – La ligne pointillée indique la position du fil de terre neutre avant d'être déplacée vers la vis de la borne centrale.
- B. Vis de la borne centrale
- C. Connecteur neutre de mise à la terre
- D. Fil neutre (fil blanc ou central)
- E. Serre-câbles (homologation UL) de 3/4 po (19 mm).

3. Connecter le conducteur (vert ou nu) de liaison à la terre du câble pour raccordement direct à la vis du conducteur de liaison à la terre externe. Serrer la vis.



- A. Vis du conducteur de terre externe
- B. Fil de terre (vert ou nu) du raccordement par câblage direct
- C. Serre-câbles (homologation UL) de 3/4 po (19 mm).
- D. Vis de la borne centrale
- E. Connecteur neutre de mise à la terre
- F. Fil neutre (fil blanc ou central)

4. Placer les extrémités en crochet des fils autres fils d'alimentation directe sous les vis les plus à l'extérieur du bornier (crochets vers la droite). Rapprocher les extrémités du crochet. Serrer les vis.

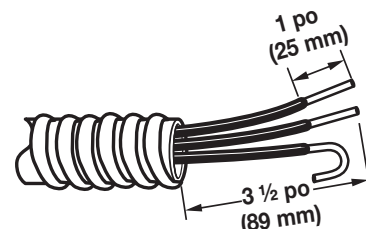


5. Serrer la vis du serre-câbles.
6. Placer la languette du couvercle du bornier dans la fente du panneau arrière de la sècheuse. Fixer le couvercle avec la vis de retenue.
7. Le raccordement électrique est maintenant terminé.

Connexion à 3 conducteurs par câblage direct :
À utiliser lorsque les codes locaux autorisent la connexion du conducteur de masse de la caisse au conducteur neutre.

Le câble à raccordement direct doit avoir une longueur supplémentaire de 5 pi (1,52 m) pour pouvoir déplacer la sècheuse si nécessaire.

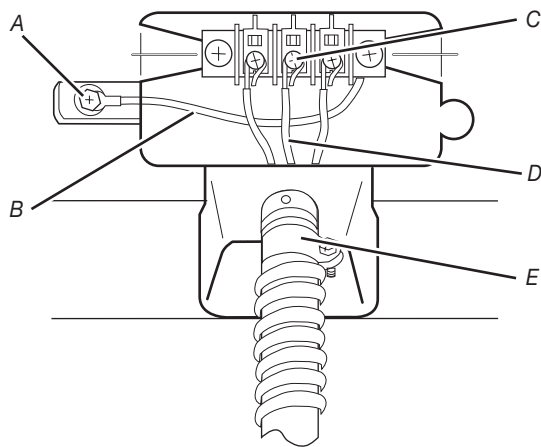
Dénuder une longueur de 3 1/2 po (89 mm) de gaine extérieure à l'extrémité du câble. Dénuder les conducteurs sur une longueur de 1 po (25 mm). Si un câble à 3 fils avec conducteur de mise à la terre est utilisé, couper le fil nu au même niveau que la gaine extérieure. Former des crochets aux extrémités des conducteurs.



Lors du raccordement du bornier, placer le fil en crochet sous la vis du bornier (crochet vers la droite), rapprocher les extrémités du crochet et serrer la vis, comme indiqué.

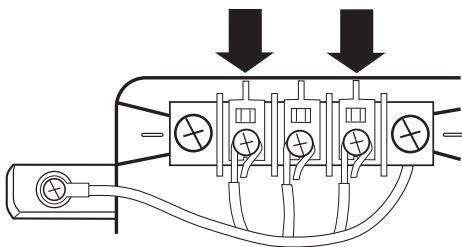


1. Desserrer ou retirer la vis de la borne centrale du bornier.
2. Placer l'extrémité en crochet du conducteur neutre (blanc ou central) du câble d'alimentation directe sous la vis du bornier (crochet vers la droite). Rapprocher les extrémités du crochet. Serrer la vis.



- A. Vis du conducteur de terre externe
- B. Connecteur neutre de mise à la terre
- C. Vis de la borne centrale
- D. Fil neutre (fil blanc ou central)
- E. Serre-câbles (homologation UL) de 3/4 po (19 mm)

3. Placer les extrémités en crochet des fils autres fils d'alimentation directe sous les vis les plus à l'extérieur du bornier (crochets vers la droite). Rapprocher les extrémités du crochet. Serrer les vis.
4. Serrer la vis du serre-câbles.

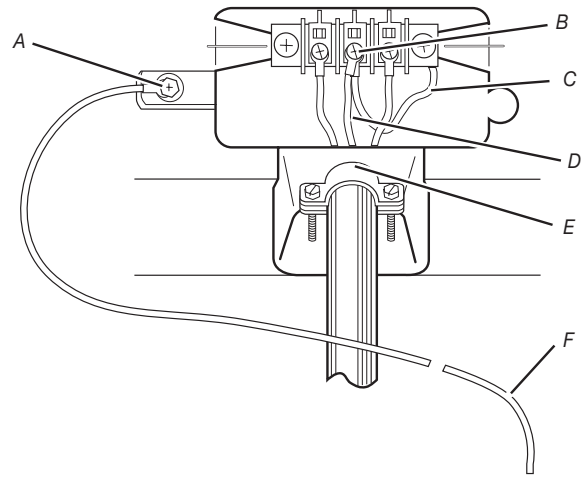


5. Placer la languette du couvercle du bornier dans la fente du panneau arrière de la sécheuse. Fixer le couvercle avec la vie de retenue.
6. Le raccordement électrique est maintenant terminé.

Connexion facultative – câble à 3 conducteurs :

À utiliser pour le raccordement direct ou le cordon d'alimentation si les codes locaux ne permettent pas le raccordement du conducteur de terre de la caisse au neutre.

1. Retirer la vis de la borne centrale.
2. Retirer le conducteur de terre neutre de la vis du conducteur de terre externe. Connecter le conducteur de terre neutre et le conducteur neutre (blanc ou central) du cordon/câble d'alimentation sous la vis de la borne centrale. Serrer la vis.
3. Connecter les autres conducteurs aux vis les plus à l'extérieur du bornier (crochets vers la droite). Serrer les vis.
4. Serrer les vis de serre-câbles.
5. Raccorder un autre conducteur de mise à la terre en cuivre depuis la vis du conducteur de mise à la terre externe jusqu'à une terre adéquate.
6. Placer la languette du couvercle du bornier dans la fente du panneau arrière de la sécheuse. Fixer le couvercle avec la vie de retenue.



- A. Vis du conducteur de terre externe
- B. Vis de la borne centrale
- C. Connecteur neutre de mise à la terre
- D. Fil neutre (fil blanc ou central)
- E. Serre-câbles (homologation UL) de 3/4 po (19 mm)
- F. Chemin de mise à la terre déterminé par un électricien qualifié

NIVELLEMENT

Nivellement de la laveuse/sécheuse superposées

Le nivellement de la laveuse/sécheuse permet de réduire le bruit et les vibrations excessifs.

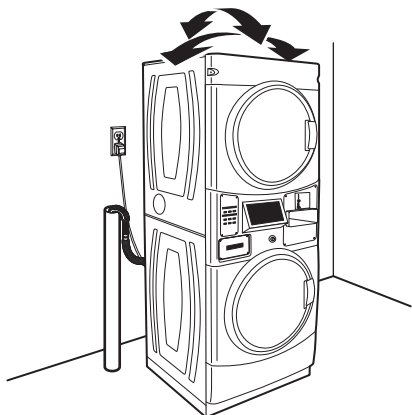
AVERTISSEMENT

Risque du poids excessif

Utiliser deux ou plus de personnes pour déplacer et installer la laveuse/sécheuse.

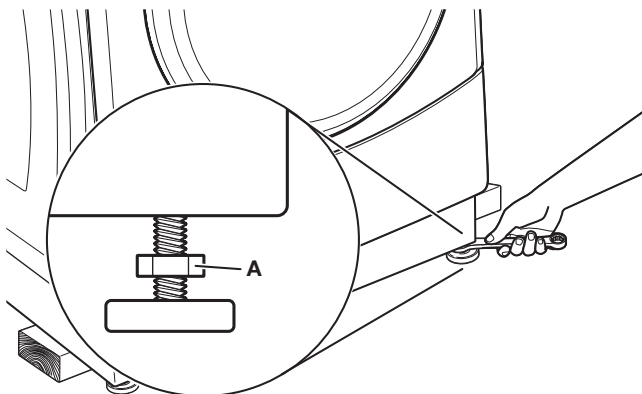
Le non-respect de cette instruction peut causer une blessure au dos ou d'autre blessure.

1. Enlever la plaque de carton placé sous la laveuse. Placer un niveau sur les bords supérieurs de la laveuse/sécheuse en contrôlant chaque côté et l'avant. Si elle n'est pas d'aplomb, faire basculer la laveuse/sécheuse et régler les pieds vers le haut ou vers le bas comme indiqué dans les étapes 3 et 4, et recommencer si nécessaire.
2. Saisir la laveuse/sécheuse par le dessus et la faire basculer d'avant en arrière tout en s'assurant que les quatre pieds sont en contact ferme avec le sol. Faire de nouveau basculer la laveuse/sécheuse, transversalement. Si la laveuse/sécheuse bascule, passer à l'étape 3 et ajuster les pieds de nivellement. Si les quatre pieds sont en contact ferme avec le sol, passer à l'étape 4.



3. Si la laveuse/sécheuse n'est pas d'aplomb, utiliser une clé à fourche ou une clé à molette de 9/16 po ou 14 mm pour tourner les contre-écrous dans le sens horaire (vue du dessus) sur les pieds jusqu'à ce qu'ils se trouvent à environ 1/2 po (13 mm) de la caisse de la laveuse/sécheuse. Tourner ensuite le pied de nivellement dans le sens antihoraire pour abaisser la laveuse/sécheuse ou dans le sens horaire pour les soulever. Contrôler à nouveau l'aplomb de la laveuse/sécheuse et vérifier que les quatre pieds sont en contact ferme avec le sol. Répéter si nécessaire.

CONSEIL UTILE : Il serait judicieux de soulever l'avant de la laveuse/sécheuse d'environ 4 po (102 mm) à l'aide d'une cale en bois ou d'un objet similaire qui soutiendra le poids de la laveuse/sécheuse.



A. Contre-écrou

4. Après que l'aplomb de la laveuse/sécheuse a été établi et que les quatre pieds sont en contact ferme avec le sol, tourner les contre-écrous dans le sens antihoraire (vue du dessus) sur les pieds de nivellement à l'aide d'une clé à fourche ou d'une clé à molette de 9/16 po ou 14 mm jusqu'à ce qu'ils soient bien serrés contre la caisse de la laveuse/sécheuse.

CONSEIL UTILE : On devra peut-être de nouveau soulever légèrement la laveuse/sécheuse à l'aide d'une cale de bois.

FIN DE L'INSTALLATION

1. Consulter les spécifications électriques. Vérifier que la tension électrique disponible est correcte et que la prise de courant est convenablement reliée à la terre. Consulter les « Spécifications électriques ».
2. Vérifier que toutes les pièces sont maintenant installées. S'il reste une pièce, passer en revue les différentes étapes.
3. Vérifier la présence de tous les outils.
4. Éliminer/recycler tous les matériaux d'emballage.
5. Vérifier que les robinets d'eau sont ouverts.
6. Vérifier qu'il n'y a pas de fuite autour des robinets et des tuyaux d'arrivée d'eau.

AVERTISSEMENT



Risque de choc électrique

Brancher sur une prise à 3 alvéoles reliée à la terre ou 4 alvéoles reliée à la terre.

Ne pas enlever la broche de liaison à la terre.

Ne pas utiliser un adaptateur.

Ne pas utiliser un câble de rallonge.

Le non-respect de ces instructions peut causer un décès, un incendie ou un choc électrique.

7. Brancher sur une prise reliée à la terre ou connecter la source de courant électrique.
8. Pour tester et nettoyer la laveuse, mesurer la moitié de la quantité de détergent HE (Haute efficacité) recommandée par le fabricant pour une charge de taille moyenne. Verser le détergent dans le distributeur de détergent. Sélectionner un programme et laisser la laveuse exécuter ce programme en entier.
9. Vérifier le bon fonctionnement de la sécheuse. Choisir un programme avec niveau de chaleur maximal et laisser la sécheuse fonctionner pendant au moins 5 minutes. La sécheuse s'arrête une fois la durée écoulée.

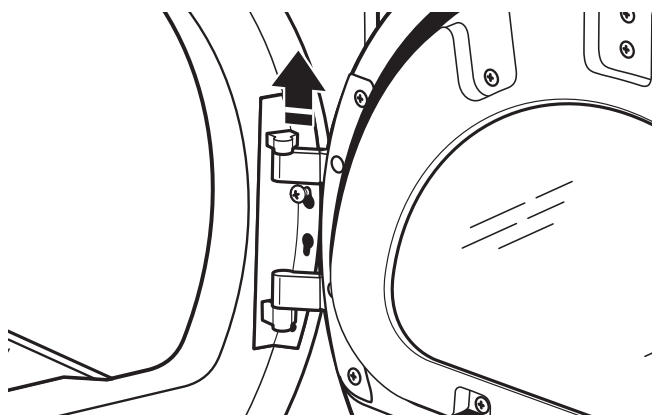
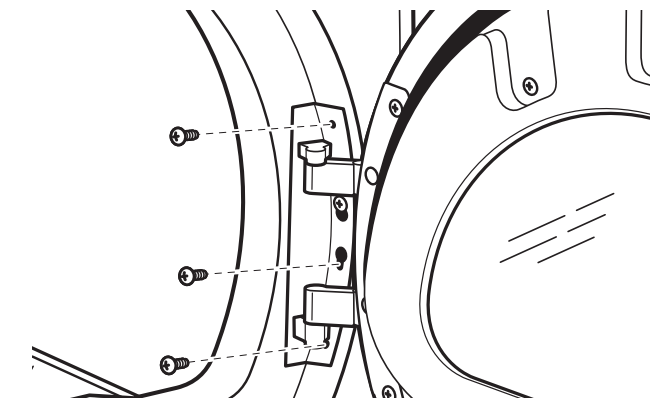
REMARQUE : La porte de la sécheuse doit être fermée pour que celle-ci puisse fonctionner. Si l'on ouvre la porte, la sécheuse s'arrête, mais la minuterie continue à fonctionner. Pour redémarrer la sécheuse, fermer la porte et appuyer sur le bouton de programme souhaité.

Si le brûleur ne s'allume pas et qu'on ne ressent pas de chaleur à l'intérieur de la sécheuse, éteindre la sécheuse pendant 5 minutes. Vérifier que toutes les manettes des vannes d'alimentation sont en position ouverte « ON » et que le cordon électrique est branché. Effectuer de nouveau le test de 5 minutes.

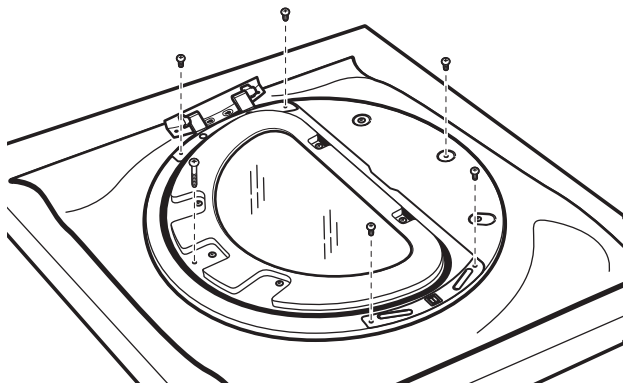
INVERSION DU SENS D'OUVERTURE DE LA PORTE DE LA SÉCHEUSE (OPTIONNEL)

Retrait de la porte

1. Placer une serviette ou un chiffon doux sur le dessus de la sècheuse ou du plan de travail pour éviter d'érafler la surface.
2. Enlever trois des quatre vis qui maintiennent la charnière de la porte sur le panneau avant de la sècheuse. Desserrer partiellement la vis restante dans l'ouverture en forme de trou de serrure et soulever la porte pour la dégager de la vis.

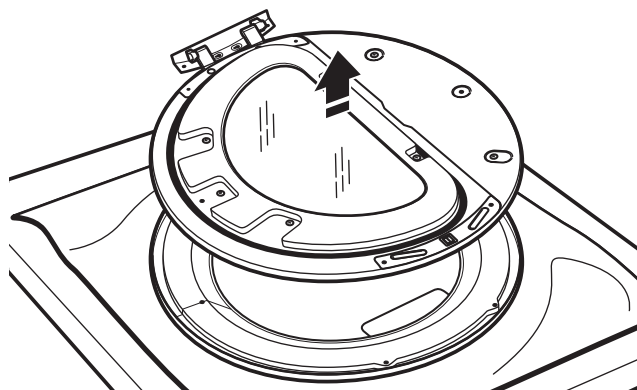


3. Poser la porte sur une surface plane préparée en orientant l'intérieur (partie interne de la porte) vers le haut et retirer les six vis cruciformes pour séparer la partie externe de la porte de la partie interne.

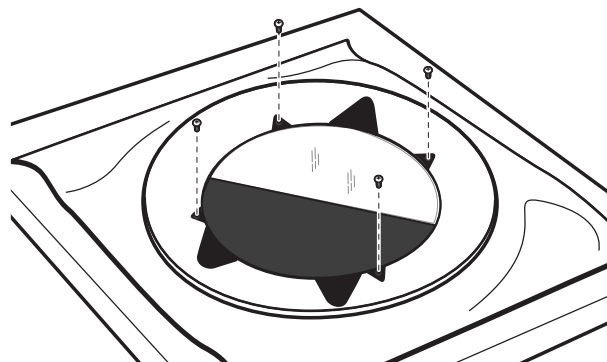


REMARQUE : Il est important d'enlever uniquement les six vis indiquées.

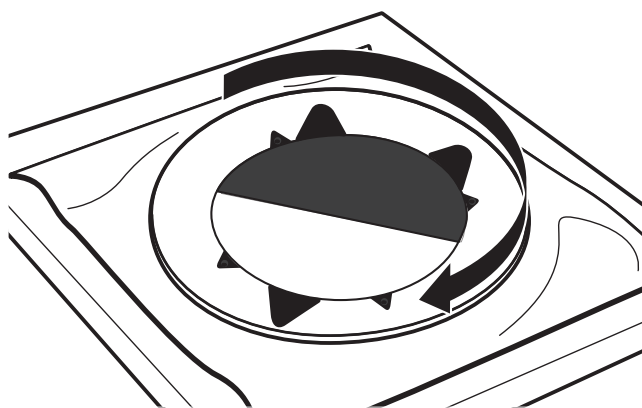
4. Soulever la partie interne de la porte pour la dégager de la partie externe.



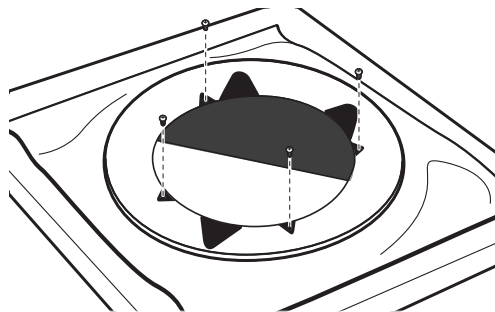
5. Retirer les vis cruciformes pour séparer la partie centrale de l'anneau externe de la porte.



6. Soulever et faire tourner la partie centrale de 180 degrés.

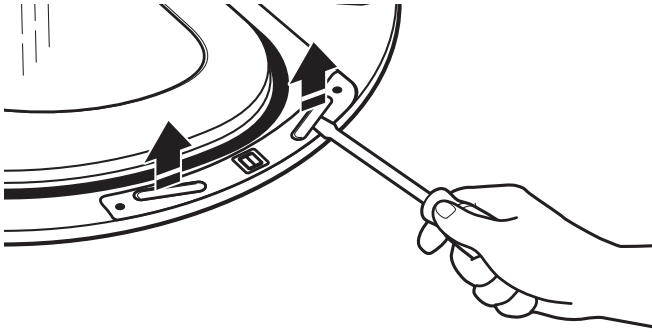


7. Assembler de nouveau la partie centrale et l'anneau externe de la porte au moyen des quatre vis.

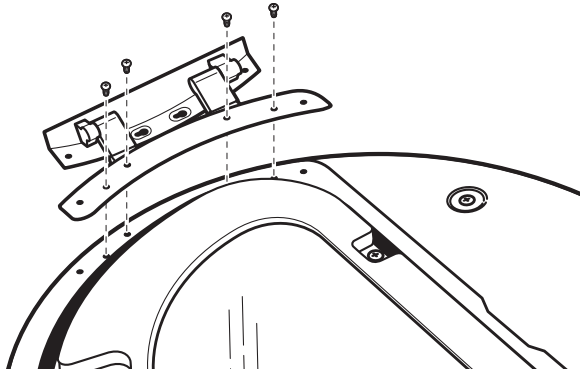


Inversion de la charnière

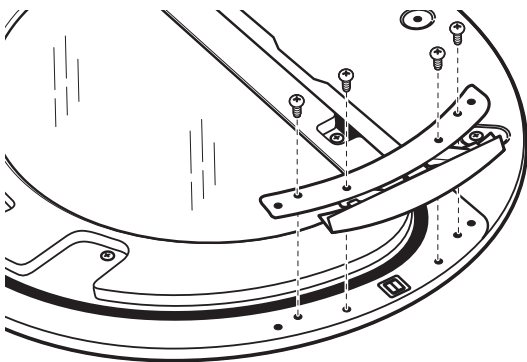
1. Utiliser un petit tournevis à lame plate pour enlever deux pitons d'obturation de la partie interne de la porte. Faire glisser la tête du tournevis sous les pitons, en veillant à ne pas érafler la partie interne de la porte et soulever la languette.



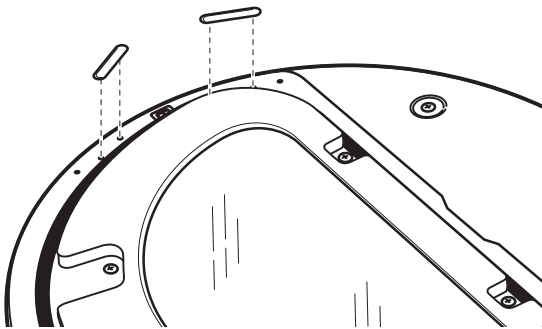
2. Retirer les quatre vis fixant la charnière de porte interne.



3. Déplacer la charnière de l'autre côté. Réinstaller quatre vis.



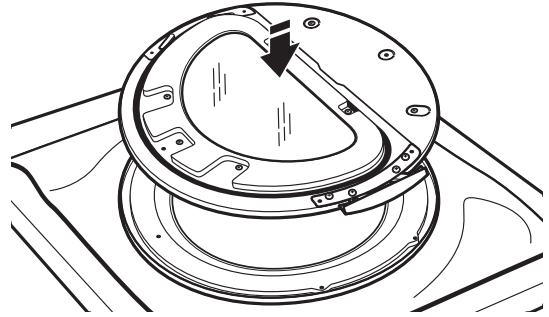
4. Réinstaller les pitons d'obturation sur le côté opposé de la porte interne.



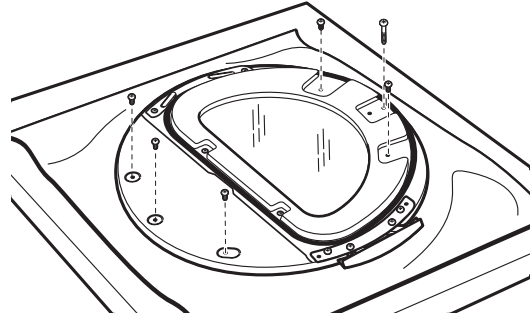
5. Vérifier qu'il n'y a pas de marques de doigts sur le verre. Nettoyer au besoin.

Replacer la porte

1. Placer la partie interne de la porte à l'intérieur de la partie externe.

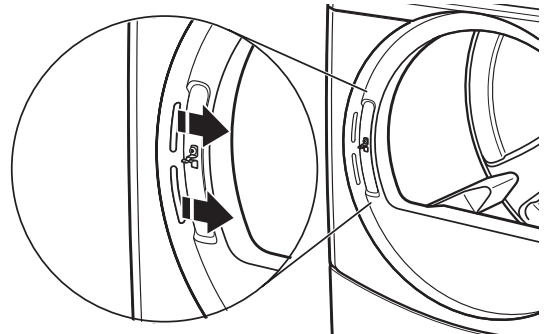


2. Assembler de nouveau les parties interne et externe de la porte avec les six vis.

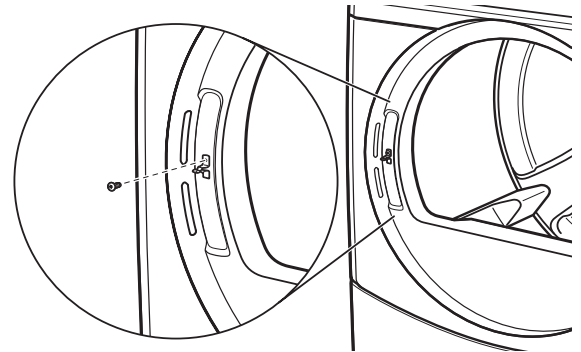


Inversion de la gâche

1. Retirer les étiquettes pour exposer les trous des charnières.



2. Retirer la gâche à l'aide d'un tournevis Phillips.

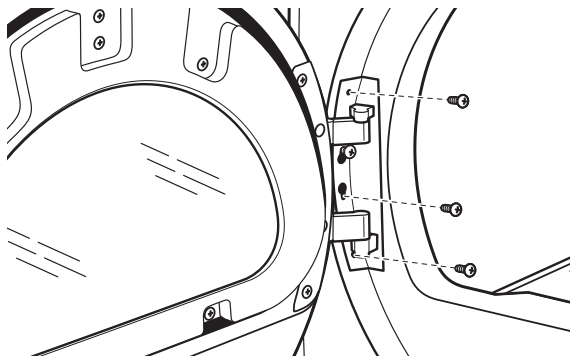


3. Installer la gâche du côté opposé.

4. Remettre les étiquettes en place sur le côté opposé. Si l'étiquette est endommagée, commander le no de pièce W11481394.

Réinstallation de la porte

1. Insérer partiellement la 3^e vis depuis le dessus et faire coulisser la charnière sur la vis tout en insérant la charnière dans le trou du panneau avant. Fixer de nouveau la porte sur le panneau avant de la sècheuse avec les trois vis.



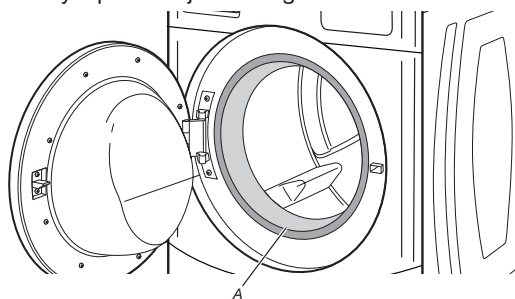
2. Vérifier qu'il n'y a pas de marques de doigts sur le verre. Nettoyer au besoin.
3. Fermer la porte et vérifier qu'elle s'enclenche solidement.

INSTRUCTIONS D'ENTRETIEN DE LA LAVEUSE/SÉCHEUSE SUPERPOSÉES

Rondelle

Nettoyage du joint/soufflet de la porte

1. Ouvrir la porte de la laveuse et retirer tout vêtement ou article de la laveuse.
2. Inspecter la porte de verre interne. Si l'on note la présence de résidus, essuyer les résidus avec un chiffon humide.
3. Examiner le joint/soufflet coloré entre l'ouverture de la porte et le panier pour déceler d'éventuelles zones tachées. Tirer sur le joint/soufflet pour examiner toutes les zones sous le joint/soufflet et voir s'il n'y a pas d'objets étrangers.



A. Joint/soufflet

4. Si des zones tachées sont décelées, essuyer ces zones de la façon suivante :
 - Préparer une solution diluée en utilisant 3/4 tasse (177 mL) d'eau de Javel et 1 gallon (3,8 L) d'eau tiède puisée au robinet.
 - Essuyer la zone du joint/soufflet avec la solution diluée, en utilisant un chiffon humide.
 - Laisser agir pendant 5 minutes.
 - Essuyer la zone complètement avec un chiffon sec et laisser l'intérieur de la laveuse sécher à l'air en laissant la porte ouverte.

IMPORTANT :

- Porter des gants en caoutchouc en cas de nettoyage pendant une période prolongée.
- Consulter les instructions du fabricant de l'eau de javel pour une utilisation correcte.

Consignes d'entretien :

Cette laveuse comporte un programme spécial qui utilise des volumes d'eau plus importants en combinaison avec l'eau de javel pour nettoyer à fond l'intérieur de la laveuse.

REMARQUES :

- Lire ces instructions complètement avant de débiter la procédure de nettoyage.
- Si nécessaire, le programme de nettoyage peut être interrompu en appuyant deux fois sur le bouton inférieur droit (COLD [FROIDE]). Cependant, ceci n'arrêtera pas immédiatement le programme. La laveuse poursuit avec plusieurs rinçages et vidanges afin d'évacuer toute trace d'eau de javel de la laveuse.

Nettoyage de l'intérieur de la laveuse :

1. Ouvrir la porte de la laveuse et retirer tout vêtement ou article de la laveuse.

2. Utilisation de l'eau de javel au chlore :

Ouvrir le tiroir distributeur et ajouter immédiatement 2/3 de tasse (160 mL) d'agent de blanchiment liquide au chlore dans le compartiment d'agent de blanchiment.

REMARQUE : Ne pas ajouter de détergent. L'utilisation de plus de 2/3 de tasse (160 mL) d'agent de blanchiment endommagera le produit avec le temps.

3. Fermer la porte de la laveuse et le tiroir distributeur.
4. Pour démarrer le programme de Nettoyage Complet de la laveuse, accéder d'abord au mode de service. Appuyer ensuite sur le bouton inférieur droit (COLD [FROIDE]) pendant 2 secondes. Alors que l'affichage tout entier clignote, appuyer sur le bouton central droit (COLORS/DELICATES [COULEURS/ARTICLES DÉLICATS]).

Pour quitter le mode d'entretien et activer le programme de nettoyage de la laveuse, appuyer sur le bouton droit central (COLORS/DELICATES [COULEURS/ARTICLES DÉLICATS]), puis tourner la clé.

REMARQUE : La porte se verrouille, le panier pivote d'un demi-tour, la porte se déverrouille, se verrouille à nouveau et le programme de nettoyage de la laveuse se poursuit ensuite. La laveuse ne se remplit pas, mais le panier pivote tandis que la laveuse effectue un court programme de détection. Ceci prend environ 3 minutes.

5. Le programme détermine si des vêtements ou autres articles se trouvent dans la laveuse.
 - Si aucun article n'est détecté dans la laveuse, la machine passe à l'étape 7.
 - Si aucun article n'est détecté dans la laveuse, « F-34 » s'affiche. La porte se déverrouille ensuite. Accéder au mode d'entretien et appuyer ensuite sur le bouton inférieur droit (COLD [FROID]) pour annuler le code d'erreur. Répéter ensuite les étapes 1, 3 et 4 pour remettre le programme en marche.
6. Une fois que le programme a commencé, laisser le programme s'achever.
7. Une fois le programme terminé, laisser la porte entrouverte pour une meilleure aération et pour que l'intérieur de la laveuse puisse sécher.

Toujours suivre la procédure qui suit afin de préserver la fraîcheur de la laveuse :

- Utiliser uniquement du détergent HE (Haute Efficacité).
- Laisser la porte entrouverte après chaque programme pour permettre une meilleure ventilation et pour que l'intérieur de la laveuse puisse sécher.
- Nettoyer la laveuse tous les mois (voir « Nettoyage de l'intérieur de la laveuse »), en utilisant 2/3 de tasse (160 mL) d'eau de Javel liquide.
- Si cette procédure ne permet pas de remédier efficacement aux problèmes de fraîcheur de la machine, examiner les conditions d'installation et d'utilisation pour déceler les autres causes possibles.

Nettoyage de l'extérieur

Utiliser une éponge ou un chiffon doux humide pour essuyer les renversements. Essuyer occasionnellement les surfaces externes de la laveuse pour maintenir son apparence d'appareil neuf. Utiliser un savon doux et de l'eau. Ne pas utiliser de produits abrasifs.

Nettoyage du tiroir distributeur

Le tiroir distributeur est amovible pour faciliter le nettoyage.

1. Débloquer le tiroir du distributeur en insérant un tournevis plat pour dégager le mécanisme de blocage. Retirer le tiroir distributeur.
2. Ôter les insertions (le siphon des compartiments de l'assouplissant de tissu et de l'eau de javel).
3. Laver les pièces sous l'eau du robinet.
REMARQUE : Ne pas laver les composants au lave-vaisselle.
4. Réinstaller les pièces incluses et remettre le distributeur dans le tiroir.

Tuyaux d'arrivée d'eau

Remplacer les tuyaux d'arrivée d'eau après 5 ans d'utilisation pour réduire le risque de défaillance intempestive. Inspecter périodiquement les tuyaux; les remplacer en cas de renflement, de déformation, de coupure et d'usure ou de fuite.

Lors du remplacement des tuyaux d'arrivée d'eau, inscrire la date du remplacement.

Sécheuse

Consignes d'entretien :

- Nettoyer le filtre à charpie avant ou après chaque programme.
- Comment enlever la charpie accumulée :
À l'intérieur de la caisse de la sécheuse :
Il faut retirer la charpie accumulée dans le conduit d'évacuation tous les 2 ans ou plus souvent, selon l'utilisation de la sécheuse. Le nettoyage doit être effectué par une personne qualifiée.
De l'intérieur du conduit d'évacuation :
Retirer la charpie tous les 2 ans, ou plus souvent, selon l'utilisation de la sécheuse.
- Dégager l'espace autour de la sécheuse; aucune matière combustible, essence ou autres vapeurs ou liquides inflammables ne doivent s'y trouver.
- Dégager l'emplacement de la sécheuse de façon à ce qu'il soit libre de tout élément susceptible d'obstruer le débit d'air de combustion et de ventilation.

Si la sécheuse ne fonctionne pas, contrôler ce qui suit :

- La prise de courant est correctement alimentée.
- Le disjoncteur ne s'est pas déclenché et aucun fusible n'est grillé.
- La porte est fermée. Écouter attentivement pour vérifier que le loquet de porte s'enclenche.
- Le bouton de sélection de programmes a été fermement enfoncé.
- Pour les sécheuses à gaz, vérifier que chaque robinet d'arrêt de gaz est ouvert.

EN CAS DE BESOIN D'ASSISTANCE

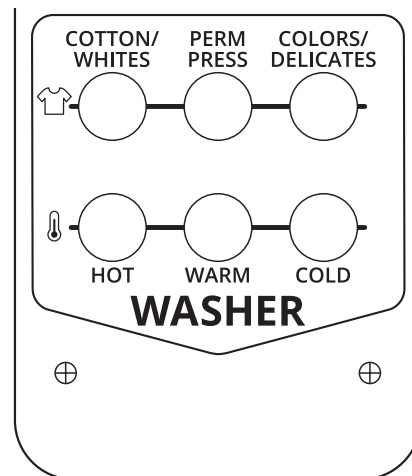
Communiquer avec votre distributeur de produits de buanderie commerciaux Whirlpool® autorisé. Pour localiser votre distributeur Whirlpool® autorisé de buanderie à usage commercial ou pour toute question par Internet, consultez le www.whirlpoolcommerciallaundry.com.

Si vous ne parvenez pas à localiser un revendeur, le centre d'aide pour les appareils de buanderie à usage commercial répond à toute question qui n'aurait pas été abordée dans les Instructions d'installation au sujet du fonctionnement ou de l'entretien de la laveuse/sécheuse.

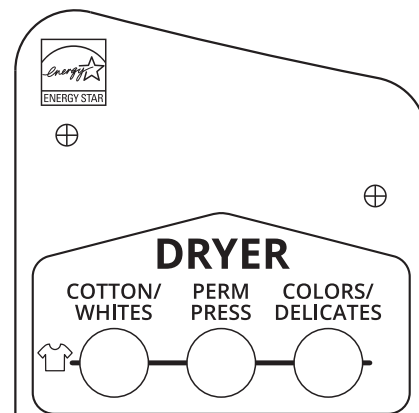
Il suffit de composer le **1 800 NO BELTS (1 800 662-3587)** – l'appel est sans frais.

Lors de l'appel, vous aurez besoin des numéros de modèle et de série de la laveuse/sécheuse. Ces deux numéros figurent sur la plaque signalétique située dans l'encadrement de la porte de la sécheuse.

INSTRUCTIONS DE CONFIGURATION DES COMMANDES ÉLECTRONIQUES



Commandes de la laveuse



Commandes de la sécheuse

Informations générales d'utilisation de la laveuse/sécheuse

REMARQUE : Une fois la laveuse/sécheuse installée et branchée, l'affichage indique « 0 MINUTES » sur les parties concernant la laveuse et la sécheuse. Une fois les portes de la laveuse et de la sécheuse ouvertes et fermées, l'affichage indique le prix pour les réglages de la laveuse et de la sécheuse. Sur les laveuses/sécheuses réglées sur des programmes gratuits, les sections de l'affichage indiquent « SELECT CYCLE » (SÉLECTIONNER PROGRAMME) en clignotant.

1. Avec une chute de monnaie installée : Insérer les pièces jusqu'à ce que « SELECT CYCLE » (SÉLECTIONNER PROGRAMME) clignote sur la partie de l'affichage concernant la laveuse ou la sècheuse à faire fonctionner.

Les systèmes de cartes de débit de 1^{re} ou 2^e génération peuvent aussi être utilisés; cependant, en cas d'utilisation du système à carte de débit de 2^e génération, les commandes sont réglées automatiquement sur le mode Enhanced Debit (Débit amélioré) (code J. Ed). Dans le mode débit amélioré, le solde de la carte s'affiche également lorsqu'elle est insérée dans le lecteur.

- La porte doit être fermée sur la laveuse/sècheuse souhaitée avant de pouvoir sélectionner le programme.
- Appuyer sur le bouton de réglage du tissu pour le programme de laveuse/sècheuse souhaité. Pour les programmes de lavage, sélectionnez également la température de lavage souhaitée. Une fois le programme commencé, un compte à rebours s'affiche.
- Si un programme est interrompu par l'ouverture de la porte ou une coupure d'alimentation, la mention « RESELECT CYCLE » (RESÉLECTIONNER LE PROGRAMME) clignote sur l'affichage. Pour remettre la laveuse/sècheuse en marche, fermer la porte et sélectionner le programme souhaité.

REMARQUE : En cas de réglage pour un fonctionnement gratuit, le programme d'une sècheuse en cours s'annule si la porte est ouverte.

Un message de défaillance « out of order » (hors service), suivi d'un code d'erreur ou de diagnostic, s'affiche à l'écran – Ce problème indique qu'une anomalie a été détectée. Consulter la section Codes d'Anomalie pour obtenir des informations sur le diagnostic.

« 0 MINUTES » APPARAÎT SUR L’AFFICHAGE – Cela indique que le programme précédent est terminé ou qu'une réinitialisation de la machine a été effectuée. L'ouverture de la porte restaurera l'affichage à l'état prix de vente ou disponible.

DÉMARRAGE À FROID (utilisation)– La laveuse/sècheuse est programmée en usine de la manière suivante :

Rondelle	Période de lavage de 11 minutes Prix du lavage 2,00 \$ 3 rinçages (rinçage supplémentaire non activé)
Sècheuse	5 minutes de temps de séchage par pièce ou impulsion de débit Prix de séchage de 1,50 \$ (programme fixe avec durée supplémentaire)

DÉMARRAGE À CHAUD (après coupure d'électricité) – Quelques secondes après le rétablissement de l'alimentation, si un programme était en cours au moment de la coupure, « RESELECT CYCLE » (RESÉLECTIONNER LE PROGRAMME) clignote sur l'affichage, indiquant qu'il faut appuyer sur un bouton pour redémarrer la laveuse ou la sècheuse.

VERROUILLAGE DE LA PORTE DE LA LAVEUSE

Avant le début d'un programme; une séquence de verrouillage/déverrouillage/reverrouillage de la porte a lieu, puis le programme commence. La porte est verrouillée jusqu'à la fin d'un programme ou environ 2 minutes après une coupure d'électricité.

TARIF – Une fois la porte ouverte, puis fermée – après la fin de programme, l'affichage indique le prix du programme (à moins d'un réglage pour un fonctionnement gratuit). Au fur et à mesure que des pièces sont insérées ou que des débits sont enregistrés, l'affichage change pour indiquer que les pièces ou les débits sont valides.

Il existe quatre (4) types de prix pour la sècheuse :

Prix de « vente » fixe

Une sècheuse réglée pour un fonctionnement en « Programme Fixe » accepte uniquement les durées supplémentaires accumulées par paliers égaux à la durée d'un programme de séchage complet. Un maximum de 75 minutes peut être acheté; aucun crédit supplémentaire n'est accordé pour les pièces insérées lorsque 75 minutes est affiché.

Prix par accumulation

Si le prix est défini sur une Pièce 1, alors le tarif par accumulation est en vigueur. La durée du programme peut être augmentée avec une pièce à la fois jusqu'à une durée maximale de 75 minutes.

Programme fixe avec prix de durée supplémentaire

Une sècheuse réglée pour proposer une fonctionnalité « Durée Supplémentaire » permet d'ajouter une durée à un programme de séchage existant par paliers égaux au nombre de minutes de durée de séchage par pièce de 0,25 \$ ou montant de débit, jusqu'à 75 minutes, quel que soit le coût nécessaire pour mettre en marche la sècheuse. Aucun crédit n'est accordé pour les pièces insérées ou les apports par carte de débit lorsque l'affichage indique 75 minutes.

En mode débit amélioré, le prix d'appoint peut être réglé indépendamment (voir VALEUR DE LA PIÈCE 2), et la durée de l'appoint est calculée en fonction de l'équation suivante :

$$\text{Durée d'appoint} = \frac{\text{Prix d'appoint}}{\text{Prix programme complet}} \times \text{Durée du programme complet}$$

La compensation par incréments en cents ne s'applique pas aux achats d'appoint.

Programmes Gratuits

Cette fonction est établie en réglant le prix du programme sur zéro. Dans ce cas, « SELECT CYCLE » (SÉLECTIONNER UN PROGRAMME) s'affiche à la place du prix du programme. En mode gratuit, un programme commencé se termine automatiquement à l'ouverture de la porte.

Carte de débit prête

Cette laveuse/sècheuse est compatible avec les cartes de débit. Elle accepte divers systèmes de cartes de débit, mais est livrée sans lecteur de carte de débit. Consulter le fabricant du lecteur de carte de débit pour une installation correcte avec la laveuse/sècheuse. Dans les modèles convertis avec un système à carte de débit de 1^{re} Génération, les impulsions de débit représentent l'équivalent d'une pièce (pièce 1).

Procédures de configuration des commandes

IMPORTANT : Lire toutes les instructions avant la mise en marche.

Introduire la clé de sélection de service et la tourner en sens antihoraire.

Une fois le lecteur de carte de débit de 2^e génération installé (conformément aux instructions du fabricant du lecteur), les modes de configuration ne peuvent être modifiés que par l'insertion d'une carte de configuration (fournie par le fabricant du lecteur) dans la fente d'insertion de carte. Insérer une clé de sélection de service et la tourner ne permet que d'accéder au mode de service.

La laveuse/sècheuse est à présent en mode de paramétrage. Les boutons de réglage de température en bas et la partie inférieure de l'affichage servent à paramétrer les commandes numériques de la laveuse. Les trois boutons de réglage du type de tissu en haut et la partie supérieure de l'affichage servent à paramétrer les commandes de la sècheuse.

L'affichage peut contenir quatre chiffres et/ou lettres et un point décimal sur chacune de ses portions supérieure et inférieure. Il indique les codes de paramétrage et les valeurs correspondantes pour la programmation de la laveuse/sècheuse.

Configuration en début d'exploitation

Les laveuses/sécheuses sont préréglées en usine et ne nécessitent aucune programmation. Cependant, pour modifier les paramètres, suivre le guide des « Codes de paramétrage ».

Le premier code indiqué dans chaque segment est le réglage d'usine par défaut.

Le code de configuration est indiqué par un ou deux caractères à gauche. La valeur du code de configuration est indiquée par deux ou trois caractères à droite.

Codes de configuration

Code	Explication
6 06	PRIX DU PROGRAMME NORMAL (SÉCHEUSE)
6 06	Représente le nombre de pièces ou l'impulsion de débit nécessaire pour mettre en marche la sécheuse; peut être réglé de 0 à 39 (voir VALEUR DE LA PIÈCE 1). Le bouton supérieur gauche (COTTON/WHITES [COTON/BLANCS]) permet de modifier cette valeur entre 0 et 39.
6 00	MODÈLE 9100 SEULEMENT (mode gratuit) : → Appuyer une fois sur le bouton inférieur central (WARM [TIÈDE]) pour passer au code suivant.
6 08	PRIX DU PROGRAMME NORMAL (LAVEUSE)
6 08	Représente le nombre de pièces ou l'impulsion de débit nécessaire pour mettre en marche la laveuse; peut être réglé de 0 à 39 (voir VALEUR DE LA PIÈCE 1). Le bouton gauche du milieu (COTTON/WHITES [COTON/BLANCS]) permet d'augmenter cette valeur et le bouton inférieur gauche (HOT [CHAUD]) permet de la réduire.
6 00	MODÈLE 9100 SEULEMENT (mode gratuit) : → Appuyer une fois sur le bouton inférieur central (WARM [TIÈDE]) pour passer au code suivant.
7 05	DURÉE DU SÉCHAGE NORMAL (SÉCHEUSE)
7 05	Représente le nombre de minutes par pièce ou l'impulsion de débit. La valeur par défaut en usine est de 5 minutes par pièce. Exemple : 6 pièces x 5 minutes = 30 minutes. En appuyant sur le bouton supérieur gauche (WHITES/COTTON [COTON/BLANCS]), la valeur peut être réglée entre 1 et 75 minutes.
7 45	Pour le modèle OPL (mode gratuit), la valeur est la durée en minutes de séchage. Réglage d'usine par défaut du modèle 9100 de 45 minutes. → Appuyer une fois sur le bouton inférieur central (WARM [TIÈDE]) pour passer au code suivant.
7 11	DURÉE DU LAVAGE (LAVEUSE)
7 11	Ce code correspond au nombre de minutes du programme WASH (LAVAGE). La laveuse est livrée avec le préréglage d'usine sur 11 minutes et peut être réglée entre 9 et 17 minutes. Le bouton gauche du milieu (COTTON/WHITES [COTON/BLANCS]) permet d'augmenter cette valeur et le bouton inférieur gauche (HOT [CHAUD]) permet de la réduire. → Appuyer une fois sur le bouton inférieur central (WARM [TIÈDE]) pour passer au code suivant.
8 00	TYPE DE TARIF DE LA SÉCHEUSE (SÉCHEUSE)
8 00	Programme fixe avec appoint. Pour une description détaillée, consulter la section « Informations générales d'utilisation de la laveuse/sécheuse ».

Code	Explication
8 FC	Avec système de paiement par carte : Programme fixe. Pour une description détaillée, consulter la section « Informations générales d'utilisation de la laveuse/sécheuse ». Utiliser le bouton supérieur droit COLORS/DELICATES (COULEURS/ARTICLES DÉLICATES) pour modifier cette sélection. → Appuyer une fois sur le bouton inférieur central (WARM [TIÈDE]) pour passer au code suivant.
8 00	OPTION DE RINÇAGE SUPPLÉMENTAIRE (LAVEUSE) Cette option est soit NON SÉLECTIONNÉE « 00 » ou SÉLECTIONNÉE « Ar. ».
8 00	Non sélectionnée : « 00 ».
8 Ar	Sélectionnée : « Ar ». Appuyer sur le bouton inférieur droit (COLD [FROIDE]) pour modifier cette sélection. → Appuyer une fois sur le bouton inférieur central (WARM [TIÈDE]) pour passer au code suivant.
9 00	OPTION DE COMPTAGE DES PROGRAMMES Cette option est soit NON SÉLECTIONNÉE « 00 », soit SÉLECTIONNÉE « 0C ».
9 00	Non sélectionnée : « 00 ».
9 0C	Sélectionnée : « 0C » ne peut pas être désélectionnée. Appuyer sur le bouton inférieur droit (COLD [FROIDE]) trois fois de suite pour sélectionner « 0C ». Une fois l'option « 0C » sélectionnée, elle est bloquée à cette valeur. → Appuyer une fois sur le bouton inférieur central (WARM [TIÈDE]) pour passer au code suivant.
Si le compteur de programmes (9 0C) est sélectionné, le calcul du total est le suivant :	
1 00	Programmes en CENTAINES 1 <u>02</u> = 200
2 00	Programmes en UNITÉS 2 <u>25</u> = 225
TOTAL DE PROGRAMMES = 225	
VIEW ONLY (AFFICHAGE SEULEMENT) : l'annulation n'est pas possible. → Appuyer une fois sur le bouton inférieur central (WARM [TIÈDE]) pour passer au code suivant.	
1. 00	OPTION DE COMPTAGE DE MONNAIE Cette option est soit NON SÉLECTIONNÉE « 00 », soit SÉLECTIONNÉE « 0C ».
1. 00	Non sélectionnée : « 00 ».
1. 0C	Sélectionnée : « 0C » Appuyer sur le bouton (COLD [FROIDE]) trois fois de suite pour sélectionner « 0C » et trois autres fois de suite pour l'annuler (Non Sélectionnée « 00 »). Le compteur se remet à zéro en passant de l'option « OFF » à l'option « ON ».
1. C0	Sélectionnée : « C0 » ne peut pas être désélectionnée. Pour sélectionner l'option « C0 » sans possibilité de l'annuler, sélectionner d'abord « 0C », puis, en moins de deux secondes, appuyer deux fois sur le bouton inférieur droit (COLD [FROIDE]) et une fois sur le bouton inférieur gauche (HOT [CHAUD]), puis quitter le mode de paramétrage. → Appuyer une fois sur le bouton inférieur central (WARM [TIÈDE]) pour passer au code suivant.

Code	Explication
Si le compteur de monnaie (1.0C ou 1.C0) est sélectionné, le calcul du total est le suivant :	
3 00	Dollars en CENTAINES 3 01 = 100,00 \$.
4 00	Dollars en UNITÉS 4 68 = 68,00 \$.
5 00	Nombre de CENTS 5 75 = 00,75 \$.
TOTAL = 168,75 \$	
2. 00	OPTIONS DE TARIF SPÉCIAL Cette option est soit NON SÉLECTIONNÉE « 00 », soit SÉLECTIONNÉE « SP ».
2. 00	Non sélectionnée « 00 », et le code suivant sera A.00.
2. SP	Sélectionnée : « SP » Appuyer sur le bouton inférieur droit (COLD [FROIDE]) pour modifier cette sélection.
Si l'OPTION DE TARIF SPÉCIAL est sélectionnée, les codes « 3.XX » à « 9.XX » accessibles.	
→ Appuyer une fois sur le bouton inférieur central (WARM [TIÈDE]) pour passer au code suivant.	
OPTIONS 3.XX – 9.XX À UTILISER EN CAS DE SÉLECTION DE TARIF SPÉCIAL.	
3. 06	PRIX DU PROGRAMME SPÉCIAL (SÉCHEUSE)
3. 06	Représente le nombre de pièces ou l'impulsion de débit nécessaire pour mettre en marche la sécheuse; peut être réglé de 0 à 39 (voir VALEUR DE LA PIÈCE 1). Le bouton supérieur gauche (COTTON/WHITES [COTON/BLANCS]) permet de modifier cette valeur entre 0 et 39.
3. 00	MODÈLE PR SEULEMENT (mode gratuit) :
→ Appuyer une fois sur le bouton inférieur central (WARM [TIÈDE]) pour passer au code suivant.	
3. 08	PRIX DU PROGRAMME SPÉCIAL (LAVEUSE)
3. 08	Représente le nombre de pièces ou l'impulsion de débit nécessaire pour mettre en marche la laveuse; peut être réglé de 0 à 39 (voir VALEUR DE LA PIÈCE 1). Le bouton gauche du milieu (COTTON/WHITES [COTON/BLANCS]) permet d'augmenter cette valeur et le bouton inférieur gauche (HOT [CHAUD]) permet de la réduire.
3. 00	MODÈLE PR SEULEMENT (mode gratuit) :
→ Appuyer une fois sur le bouton inférieur central (WARM [TIÈDE]) pour passer au code suivant.	
4. 05	DURÉE DU SÉCHAGE SPÉCIAL (SÉCHEUSE)
4. 05	Représente le nombre de minutes par pièce ou l'impulsion de débit. La valeur par défaut en usine est de 5 minutes par pièce. Exemple : 6 pièces x 5 minutes = 30 minutes. En appuyant sur le bouton supérieur gauche (WHITES/COTTON [COTON/BLANCS]), la valeur peut être réglée entre 1 et 75 minutes.
4. 45	Pour le modèle OPL (mode gratuit), la valeur est la durée en minutes de séchage. Réglage d'usine par défaut du modèle PR de 45 minutes.
→ Appuyer une fois sur le bouton inférieur central (WARM [TIÈDE]) pour passer au code suivant.	
5. 00	MINUTES DE L'HORLOGE
5. 00	Paramétrage des MINUTES DE L'HORLOGE ; choisir une valeur entre 0 et 59 minutes en appuyant sur le bouton gauche du milieu (COTTON/WHITES [COTON/BLANCS]) ou le bouton gauche inférieur (HOT [CHAUDE]).
→ Appuyer une fois sur le bouton inférieur central (WARM [TIÈDE]) pour passer au code suivant.	
6. 00	HEURE DE L'HORLOGE REMARQUE : Utilise le format sur 24 heures.

Code	Explication																								
6. 00	Paramétrage des HEURES DE L'HORLOGE; choisir une valeur entre 0 et 23 heures en appuyant sur le bouton gauche du milieu (COTTON/WHITES [COTON/BLANCS]) ou le bouton gauche inférieur (HOT [CHAUDE]).																								
→ Appuyer une fois sur le bouton inférieur central (WARM [TIÈDE]) pour passer au code suivant.																									
7. 00	HEURE DE DÉBUT DU PRIX SPÉCIAL REMARQUE : Utilise le format sur 24 heures.																								
7. 00	Représente l'heure de début, entre 0 et 23 heures. Le bouton gauche du milieu (COTTON/WHITES [COTON/BLANCS]) ou le bouton inférieur gauche (HOT [CHAUDE]) permet de sélectionner START HOUR (HEURE DE DÉPART).																								
→ Appuyer une fois sur le bouton inférieur central (WARM [TIÈDE]) pour passer au code suivant.																									
8. 00	HEURE D'ARRÊT DU PRIX SPÉCIAL REMARQUE : Utilise le format sur 24 heures.																								
8. 00	Représente l'heure d'arrêt, entre 0 et 23 heures. Le bouton gauche du milieu (COTTON/WHITES [COTON/BLANCS]) ou le bouton inférieur gauche (HOT [CHAUDE]) permet de sélectionner STOP HOUR (HEURE D'ARRÊT).																								
→ Appuyer une fois sur le bouton inférieur central (WARM [TIÈDE]) pour passer au code suivant.																									
9. 10	SPECIAL PRICE DAY (JOUR À TARIF SPÉCIAL)																								
9. 10	Représente le jour de la semaine et indique si un prix spécial est sélectionné pour ce jour. Un nombre suivi de « 0 » indique l'absence de sélection pour ce jour particulier (9.10). Un nombre suivi de « S » indique une sélection pour ce jour particulier (9,1S). Pour changer la valeur de « 0 » et « s », utiliser le bouton inférieur droit (COLD [FROIDE]). Le bouton gauche du milieu (COTTON/WHITES [COTON/BLANCS]) ou le bouton inférieur gauche (HOT [CHAUDE]) permet de sélectionner le jour de la semaine (1-7). En quittant le code de paramétrage « 9 », l'affichage doit indiquer le jour actuel de la semaine :																								
<table border="1" style="width: 100%; border-collapse: collapse;"> <thead> <tr> <th>AFFICHAGE</th> <th>JOUR DE LA SEMAINE</th> <th>CODE (sélectionné)</th> </tr> </thead> <tbody> <tr> <td>10</td> <td>Jour 1 = Dimanche</td> <td>1S</td> </tr> <tr> <td>20</td> <td>Jour 2 = Lundi</td> <td>2S</td> </tr> <tr> <td>30</td> <td>Jour 3 = Mardi</td> <td>3S</td> </tr> <tr> <td>40</td> <td>Jour 4 = Mercredi</td> <td>4S</td> </tr> <tr> <td>50</td> <td>Jour 5 = Jeudi</td> <td>5S</td> </tr> <tr> <td>60</td> <td>Jour 6 = Vendredi</td> <td>6S</td> </tr> <tr> <td>70</td> <td>Jour 7 = Samedi</td> <td>7S</td> </tr> </tbody> </table>		AFFICHAGE	JOUR DE LA SEMAINE	CODE (sélectionné)	10	Jour 1 = Dimanche	1S	20	Jour 2 = Lundi	2S	30	Jour 3 = Mardi	3S	40	Jour 4 = Mercredi	4S	50	Jour 5 = Jeudi	5S	60	Jour 6 = Vendredi	6S	70	Jour 7 = Samedi	7S
AFFICHAGE	JOUR DE LA SEMAINE	CODE (sélectionné)																							
10	Jour 1 = Dimanche	1S																							
20	Jour 2 = Lundi	2S																							
30	Jour 3 = Mardi	3S																							
40	Jour 4 = Mercredi	4S																							
50	Jour 5 = Jeudi	5S																							
60	Jour 6 = Vendredi	6S																							
70	Jour 7 = Samedi	7S																							
→ Appuyer une fois sur le bouton inférieur central (WARM [TIÈDE]) pour passer au code suivant.																									
A. 00	OPTIONS D'AFFICHAGE DU COFFRE Cette option est soit NON SÉLECTIONNÉE « 00 », soit SÉLECTIONNÉE « SC ».																								
A. 00	Non sélectionnée : « 00 ».																								
A. SC	Sélectionnée : « SC » Appuyer sur le bouton inférieur droit (COLD [FROIDE]) une fois pour cette sélection. Lorsque cette option est sélectionnée, le compteur de monnaie ou de programmes peut être affiché (si le ou les options de compteur correspondantes sont sélectionnées) lorsque la boîte à monnaie est retirée.																								

Code	Explication
→	Appuyer une fois sur le bouton inférieur central (WARM [TIÈDE]) pour passer au code suivant.
b. 05	VALEUR DE LA PIÈCE 1
b. 05	Cela représente la valeur de la pièce de monnaie 1 en nombre d'incrément de 0,05 \$ de la pièce de monnaie de valeur la plus grande. Exemple : 5 x 0,05 \$ = 0,25 \$. Il est possible de choisir entre 1 et 199 par incréments de 0,05 \$ en appuyant sur le bouton du milieu à gauche (COTTON/WHITES [COTON/BLANCS]) pour augmenter la valeur ou sur le bouton inférieur gauche (HOT [CHAUDE]) pour la diminuer.
→	Appuyer une fois sur le bouton inférieur central (WARM [TIÈDE]) pour passer au code suivant.
C. 20	VALEUR DE LA PIÈCE 2/VALEUR DE LA DURÉE SUPPLÉMENTAIRE DE LA SÈCHEUSE
C. 20	Cela représente la valeur de la pièce de monnaie 2 en nombre d'incrément de 0,05 \$ de la pièce de monnaie de valeur la plus grande. Exemple : 20 x 0,05 \$ = 1,00 \$. Il est possible de choisir entre 1 et 199 par incréments de 0,05 \$ en appuyant sur le bouton du milieu à gauche (COTTON/WHITES [COTON/BLANCS]) pour augmenter la valeur ou sur le bouton inférieur gauche (HOT [CHAUDE]) pour la diminuer.
C. 05	MODÈLE PR SEULEMENT : Pour le modèle utilisant le mode débit amélioré, ce champ représente la valeur de l'appoint par incréments de 0,05 \$, pour la sècheuse, ou 0,25 \$. La valeur par défaut définie en usine de C.05 représente 5 x 0,05 \$ ou 0,25 \$.
→	Appuyer une fois sur le bouton inférieur central (WARM [TIÈDE]) pour passer au code suivant.
E. 00	OPTION AJOUT DE MONNAIE Cette option est soit NON SÉLECTIONNÉE « 00 », soit SÉLECTIONNÉE « AC ». Avec cette option, l'affichage client indique le nombre de pièces ou l'impulsion de débit à utiliser plutôt que le montant en dollars et cents.
E. 00	Non sélectionnée : « 00 ».
E. AC	Sélectionnée : « AC » Appuyer sur le bouton inférieur droit (COLD [FROIDE]) trois fois de suite pour modifier cette sélection.
→	Appuyer une fois sur le bouton inférieur central (WARM [TIÈDE]) pour passer au code suivant.
F. 00	OPTION DE TARIF AMÉLIORÉ
F. 00	Non sélectionnée : « 00 ».
F. SU	Programme amélioré activé. Cette option permet aux clients de passer au programme supérieur en insérant de la monnaie supplémentaire. Les codes de paramétrage « H. » et « h. » sont affichés uniquement lorsque cette option est activée. Appuyer sur le bouton inférieur droit (COLD [FROIDE]) pour cette sélection.
→	Appuyer une fois sur le bouton inférieur central (WARM [TIÈDE]) pour passer au code suivant.
H. 01	PRIX DU PASSAGE AU PROGRAMME AMÉLIORÉ (Non affiché si le tarif du programme amélioré n'est pas activé.)

Code	Explication
H. 01	Représente le nombre de pièces ou l'impulsion de débit nécessaire pour passer d'un programme normal à un programme amélioré. Le bouton inférieur gauche (HOT [CHAUDE]) permet de modifier cette valeur entre 0 et 39.
→	Appuyer une fois sur le bouton inférieur central (WARM [TIÈDE]) pour passer au code suivant.
h. 01	TYPE DE PROGRAMME AMÉLIORÉ (Non affiché si le tarif du Programme amélioré n'est pas activé.)
h. 01	Représente l'option de passage au Programme amélioré. Appuyer sur le bouton gauche inférieur (HOT [CHAUD]) pour faire défiler les options d'amélioration de 1 à 3 comme suit : 01 – Lavage prolongé, 3 minutes supplémentaires de culbute de lavage en plus de la durée de lavage programmée. 02 – Rinçage supplémentaire pour tous les programmes. 03 – 01 et 02 à la fois.
→	Appuyer une fois sur le bouton inférieur central (WARM [TIÈDE]) pour passer au code suivant.
J. Cd	MODE DE PAIEMENT (OPTIONS PIÈCES/ DÉBIT)
J. Cd	Modes pièces et carte de débit sélectionnés. Appuyer sur le bouton inférieur droit (COLD [FROIDE]) trois fois de suite pour modifier cette sélection.
J. C_	Mode pièces sélectionné, mode carte de débit désactivé. Appuyer sur le bouton inférieur droit (COLD [FROIDE]) trois fois de suite pour modifier cette sélection.
J. _d	Avec système de paiement par carte : Mode Carte de Débit sélectionné, mode pièces désactivé. Appuyer sur le bouton inférieur droit (COLD [FROIDE]) trois fois de suite pour modifier cette sélection.
J. Ed	L'option Enhanced Debit (Débit amélioré) est automatiquement sélectionnée lorsqu'un lecteur de cartes de 2 ^e génération est installé dans la laveuse/sècheuse. L'option « Ed » ne peut pas être sélectionnée ou désactivée manuellement.
→	Appuyer une fois sur le bouton inférieur central (WARM [TIÈDE]) pour passer au code suivant.
L. 00	OPTION DE SUPPRESSION DE PRIX Avec cette option, l'écran de l'utilisateur affiche « ADD » (INTRODUIRE) ou « AVAILABLE » (DISPONIBLE) au lieu du montant à ajouter. (Utilisé principalement avec les installations à carte de débit.)
L. 00	Non sélectionnée : « 00 ».
L. PS	Sélectionnée : « PS » Appuyer sur le bouton inférieur droit (COLD [FROIDE]) pour modifier cette sélection.
→	Appuyer une fois sur le bouton inférieur central (WARM [TIÈDE]) pour passer au code suivant.
n. CE	OPTION D'ANNULATION DE DÉPÔT Lorsque cette option est sélectionnée, l'argent mémorisé en avoir pendant 30 minutes sans ajout supplémentaire ou activités de programme est effacé.
n. 00	Non sélectionnée : « 00 ».

Code	Explication
n. CE	Sélectionnée : « CE » Appuyer sur le bouton inférieur droit (COLD [FROIDE]) pour modifier cette sélection. → Appuyer une fois sur le bouton inférieur central (WARM [TIÈDE]) pour passer au code suivant.
U. 00	COMPENSATION PAR INCRÉMENTS EN CENTS (SÈCHEUSE)
U. 00	Représente la compensation du prix par incréments en cents utilisée dans les modèles de 2 ^e génération (Débit amélioré). Le bouton supérieur gauche (COTTON/WHITES [COTON/BLANCS]) permet de choisir cette valeur entre 0 et 4 cents. → Appuyer une fois sur le bouton inférieur central (WARM [TIÈDE]) pour passer au code suivant.
U. 00	COMPENSATION PAR INCRÉMENTS EN CENTS (LAVEUSE)
U. 00	Représente la compensation du prix par incréments en cents utilisée dans les modèles de 2 ^e génération (Débit amélioré). Choisir entre 0 et 4 cents. Le bouton gauche du milieu (COTTON/WHITES [COTON/BLANCS]) permet d'augmenter cette valeur et le bouton inférieur gauche (HOT [CHAUD]) permet de la réduire. → Appuyer une fois sur le bouton inférieur central (WARM [TIÈDE]) pour passer au code suivant.
A1. 00	DURÉE DU PRÉLAVAGE (LAVEUSE)

Code	Explication
A1. 00	Ce code correspond au nombre de minutes du PREWASH (PRÉLAVAGE). Choisir 00 pour désactiver le pré-lavage ou sélectionner entre 2 et 7 minutes en appuyant sur le bouton gauche inférieur (HOT [CHAUDE]). → Appuyer une fois sur le bouton inférieur central (WARM [TIÈDE]) pour passer au code suivant.

FIN DES OPÉRATIONS DE PARAMÉTRAGE.

QUITTER LE MODE DE CONFIGURATION :

- Tourner la clé du commutateur d'entretien dans le sens des aiguilles d'une montre et retirer ou enlever la carte de paramétrage manuel.

SEGURIDAD DE LA LAVADORA/SECADORA APILABLE

Su seguridad y la seguridad de los demás es muy importante.

Hemos incluido muchos mensajes importantes de seguridad en este manual y en su electrodoméstico. Lea y obedezca siempre todos los mensajes de seguridad.



Este es el símbolo de alerta de seguridad.

Este símbolo le llama la atención sobre peligros potenciales que pueden ocasionar la muerte o una lesión a usted y a los demás.

Todos los mensajes de seguridad irán a continuación del símbolo de advertencia de seguridad y de la palabra "PELIGRO" o "ADVERTENCIA". Estas palabras significan:

 **PELIGRO**

Si no sigue las instrucciones de inmediato, usted puede morir o sufrir una lesión grave.

 **ADVERTENCIA**

Si no sigue las instrucciones, usted puede morir o sufrir una lesión grave.

Todos los mensajes de seguridad le dirán el peligro potencial, le dirán cómo reducir las posibilidades de sufrir una lesión y lo que puede suceder si no se siguen las instrucciones.



ADVERTENCIA - "Riesgo de incendio"

- La instalación de la secadora de ropa debe estar a cargo de un instalador competente.
- Instale la secadora de ropa según las instrucciones del fabricante y los códigos locales.
- No instale una secadora de ropa con materiales de ventilación de plástico flexible o un ducto de metal flexible (de hoja de metal). Si se usa un ducto de metal flexible, éste deberá ser de un tipo específico, que esté identificado por el fabricante de electrodomésticos como apto para ser usado con secadoras de ropa. Es sabido que los materiales de ventilación flexible se derrumban, se aplastan con facilidad y atrapan pelusa. Estas condiciones obstruirán el flujo de aire de la secadora de ropa y aumentarán el riesgo de incendio.
- Para reducir el riesgo de lesiones graves o la muerte, siga todas las instrucciones de instalación.
- Guarde estas instrucciones.

ADVERTENCIA

Peligro de incendio

Si no se siguen las advertencias de seguridad con exactitud, se podrían producir lesiones graves, muertes o daños a la propiedad.

No instale un ventilador de refuerzo en el ducto de escape.

Instale todas las secadoras de ropa de acuerdo con las instrucciones de instalación del fabricante de las secadoras.

- Se recomienda que el propietario coloque en un lugar a la vista las instrucciones para el uso del cliente en caso de que este perciba olor a gas. Esta información deberá obtenerse de su proveedor de gas.
- Coloque a la vista la siguiente advertencia.

PARA SU SEGURIDAD

No almacene ni use gasolina u otros vapores y líquidos inflamables cerca de éste o cualquier otro electrodoméstico.

 **ADVERTENCIA:**

PELIGRO DE INCENDIO O EXPLOSIÓN

Si no se siguen las advertencias de seguridad con exactitud, se podrían producir lesiones graves, muertes o daños a la propiedad.

- No almacene ni use gasolina u otros vapores y líquidos inflamables cerca de este ni ningún otro electrodoméstico.
- **QUÉ DEBE HACER SI SIENTE OLOR A GAS:**
 - No intente encender ningún electrodoméstico.
 - No toque ningún interruptor eléctrico; no use ningún teléfono en su edificio.
 - Despeje de ocupantes la habitación, el edificio o la zona.
 - Llame inmediatamente a su proveedor de gas desde el teléfono de un vecino. Siga las instrucciones de su proveedor de gas.
 - Si usted no puede comunicarse con su proveedor de gas, llame al departamento de bomberos.
- La instalación y el servicio deben ser realizados por un instalador competente, una agencia de servicios o el proveedor de gas.

ADVERTENCIA: Las pérdidas de gas no siempre se pueden detectar por el olfato.

Los proveedores de gas recomiendan que usted use un detector de gas aprobado por UL (Laboratorio de normalización) o CSA (Asociación canadiense de seguridad).

Para obtener más información, póngase en contacto con su proveedor de gas.

Si se detecta una fuga de gas, siga las instrucciones de "Pasos que usted debe seguir si huele a gas".

En el estado de Massachusetts se aplican las siguientes instrucciones de instalación:

- Las instalaciones y reparaciones se deben efectuar por un contratista, plomero o gasista calificado o licenciado por el estado de Massachusetts.
- Reemplace con dispositivos de cierre aceptables: las llaves de gas y las válvulas de bola instaladas para el uso deben estar en la lista.
- Si se usa un conector de gas flexible no debe exceder de 4 pies (121,9 cm).

IMPORTANTE: La instalación de gas debe cumplir con los códigos locales y en la ausencia de códigos locales, con el Código nacional de gas combustible (National Fuel Gas Code), ANSI Z223.1/NFPA 54 o el Código de instalación de gas natural y propano, CSA B149.1.

La secadora deberá estar conectada a tierra de acuerdo con los códigos locales, o en la ausencia de códigos locales, con el Código nacional eléctrico (National Electrical Code), ANSI/NFPA 70 o el Código canadiense de electricidad (Canadian Electrical Code), Parte 1, CSA C22.1.

INSTRUCCIONES IMPORTANTES DE SEGURIDAD

Antes de guardar o descartar su vieja secadora, quítele la puerta.

GUARDE ESTAS INSTRUCCIONES

INSTRUCCIONES DE SEGURIDAD IMPORTANTES

ADVERTENCIA: A fin de reducir el riesgo de incendio, choque eléctrico o lesiones personales al usar la lavadora/secadora, deben seguirse las precauciones básicas, incluidas las siguientes:

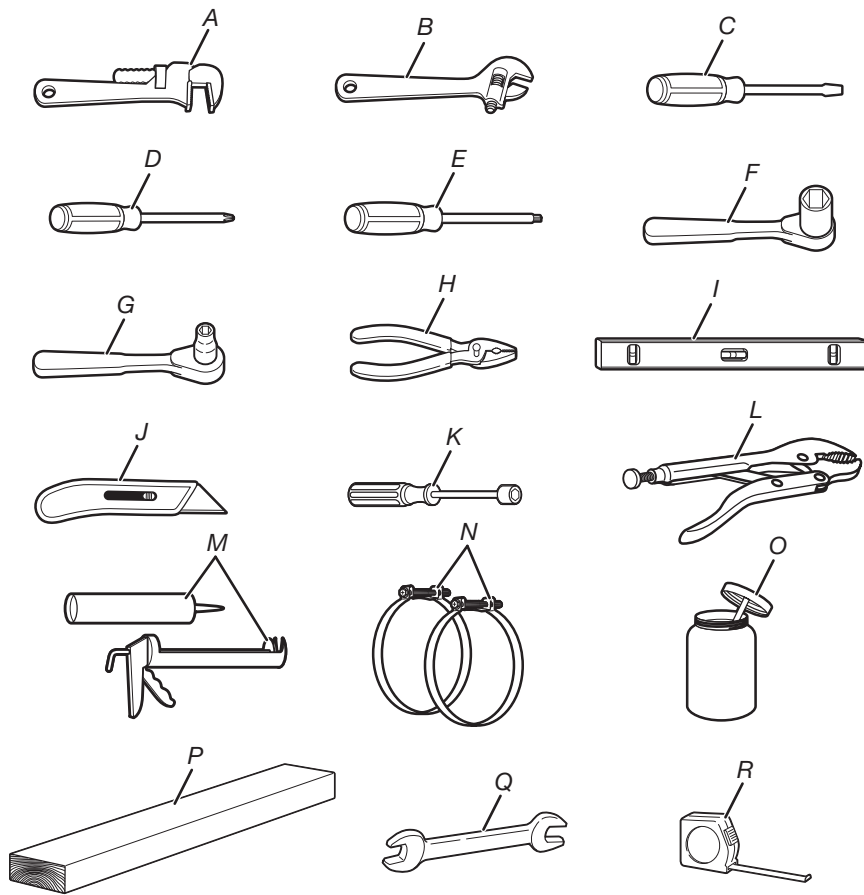
- Lea todas las instrucciones antes de usar la lavadora/secadora.
- No coloque objetos expuestos a aceites para cocinar en su secadora. Los objetos expuestos a aceites para cocinar pueden contribuir a una reacción química que podría causar que una carga se incendie. Para reducir el riesgo de incendio debido a cargas contaminadas, la parte final de un ciclo en la secadora se produce sin calor (periodo de enfriamiento). Evite detener una secadora antes de que termine el ciclo de secado a menos que todos los objetos se saquen y separen rápidamente de modo que el calor se disipe.
- No lave ni seque artículos que ya se hayan limpiado, lavado, remojado o manchado con gasolina, disolventes de limpieza en seco, u otras sustancias inflamables o explosivas ya que despiden vapores que pueden encenderse o causar una explosión.
- No agregue gasolina, solventes para limpiar en seco u otras sustancias inflamables o explosivas al agua de lavado. Estas sustancias despiden vapores que pueden encenderse o causar una explosión.
- Riesgo de asfixia y lesiones por atrapamiento: No permita que los niños jueguen sobre el electrodoméstico o dentro de este. Es necesaria la cuidadosa vigilancia de los niños siempre que estén cerca cuando se use el electrodoméstico.
- Quite las puertas a los compartimentos de la lavadora/secadora antes de ponerla fuera de funcionamiento o de descartarla.
- No introduzca las manos en la lavadora/secadora cuando la cuba, el agitador o el tambor estén en movimiento.
- No instale o almacene la lavadora/secadora en un lugar expuesto al agua o el clima.
- No altere los controles.
- Limpie el filtro de pelusa de la secadora antes o después de cada carga.
- No use piezas de repuesto que no hayan sido recomendadas por el fabricante (por ejemplo, piezas hechas en casa con una impresora 3D).
- En ciertas condiciones, puede producirse gas hidrógeno en un sistema de agua caliente que no se ha utilizado durante dos semanas o más. EL GAS DE HIDRÓGENO ES EXPLOSIVO. Si no se ha usado el agua caliente durante dicho periodo, antes de usar la lavadora, abra todos los grifos de agua caliente y deje que corra el agua por varios minutos. De este modo, se eliminará cualquier acumulación de gas de hidrógeno. Puesto que el gas es inflamable, se recomienda no fumar ni utilizar llamas en ese momento.
- No repare ni reemplace ninguna pieza de la lavadora/secadora ni trate de repararla a menos que esto se recomiende específicamente en este Manual de uso y cuidado o en instrucciones de reparación publicadas para el usuario que usted comprenda y solo si cuenta con la experiencia necesaria para llevar a cabo dicha reparación.
- No utilice suavizantes de telas o productos para eliminar la estática de prendas a menos que lo recomiende el fabricante del suavizante de telas o del producto en uso.
- No utilice calor para secar prendas que contengan goma espuma o materiales con textura similar a la goma.
- Mantenga el área alrededor de la abertura de ventilación y las áreas adyacentes a esta abertura sin pelusas, polvo o tierra.
- Personal de servicio calificado debe limpiar periódicamente la parte interior de la máquina y su ducto de escape.
- Consulte las Instrucciones de instalación para conocer las instrucciones de conexión a tierra.
- **ADVERTENCIA:** Riesgo de incendio. No instale un ventilador de refuerzo en el ducto de escape.

NOTA: La advertencia del ventilador de refuerzo no se aplica a las secadoras de ropa destinadas a ser instaladas en un sistema de secadoras múltiples, con un sistema de conductos de escape diseñado que se instala según las directrices del fabricante de la secadora de ropa.

CONSERVE ESTAS INSTRUCCIONES

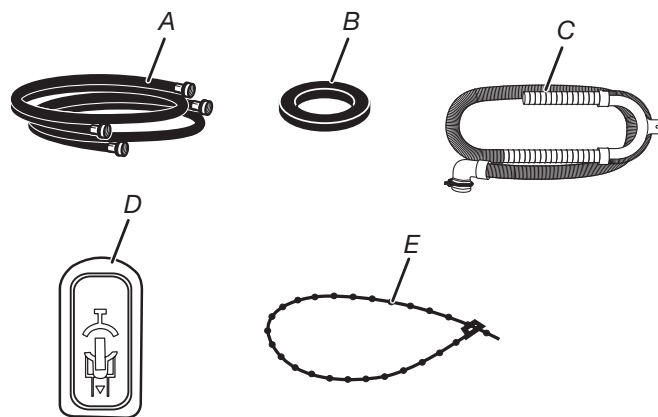
HERRAMIENTAS Y PIEZAS

Herramientas necesarias:



- A. Llave para tubos de 8" (200 mm) o 10" (250 mm)
- B. Llave ajustable de 8" (200 mm) o 10" (250 mm) que se abre a 1" (25 mm)
- C. Destornillador de hoja plana
- D. Destornillador Phillips
- E. Destornillador de seguridad o broca TORX† T20
- F. Llave de cubo de cabeza hexagonal de 1" (25 mm)
- G. Llave de cubo de 5/16" (8 mm)
- H. Alicates que se abren hasta 1⁹/₁₆" (39 mm)
- I. Nivel
- J. Cuchillo para uso general
- K. Sacatuercas de 1/4" (6 mm)
- L. Alicates de cierre
- M. Pistola y masilla para calafateo (para instalar el nuevo ducto de escape)
- N. Abrazaderas para ducto
- O. Compuesto para uniones de tubería adecuado para tipo gas
- P. Bloque de madera de 27" (686 mm)
- Q. Llaves de boca de 1/2" (13 mm) y 9/16" (14 mm)
- R. Regla o cinta de medir

Piezas suministradas:



- A. Mangueras de entrada de agua (2)
- B. Arandelas de la manguera de entrada (4)
- C. Manguera de desagote con abrazadera, molde en U
- D. Tapón del agujero del perno de tránsito (4)
- E. Correa de atadura

PIEZAS Y ACCESORIOS ADICIONALES

Piezas adicionales

Su instalación puede requerir piezas adicionales. Si está interesado en adquirir una de las piezas aquí enlistadas, llame al número gratuito que se encuentra en la sección "Si necesita ayuda".

Si tiene:	Debe comprar:
Desagote en altura	Tina con desagote estándar de 20 galones (76 L) con 39" (990 mm) de altura o lavadero utilitario, bomba de sumidero y conectores (disponible en plomerías locales)
Tubo vertical de 1" (25 mm)	Adaptador de tubo vertical de 2" (51 mm) de diámetro a 1" (25 mm) de diámetro, Pieza número 3363920 Juego de conectores Pieza número 285835
Manguera de desagote demasiado corta	Manguera de desagote de extensión, pieza número DRNEXT4 Juego de conectores, pieza número 285835
Desagote obstruido por pelusa	Protector del desagote, pieza número 367031 Juego de conectores, pieza número 285835
Sistema de desagote por el piso	Desviación de sifón, pieza número 285834 Juego de conectores (2), pieza número 285835 Manguera de desagote de extensión pieza número 285863
Grifos de agua fuera del alcance de las mangueras de llenado	2 mangueras de llenado de agua más largas: Manguera con codo de 90° de 6 pies (1,8 m), pieza número 76314 y de 10 pies (3,0 m), pieza número 350008

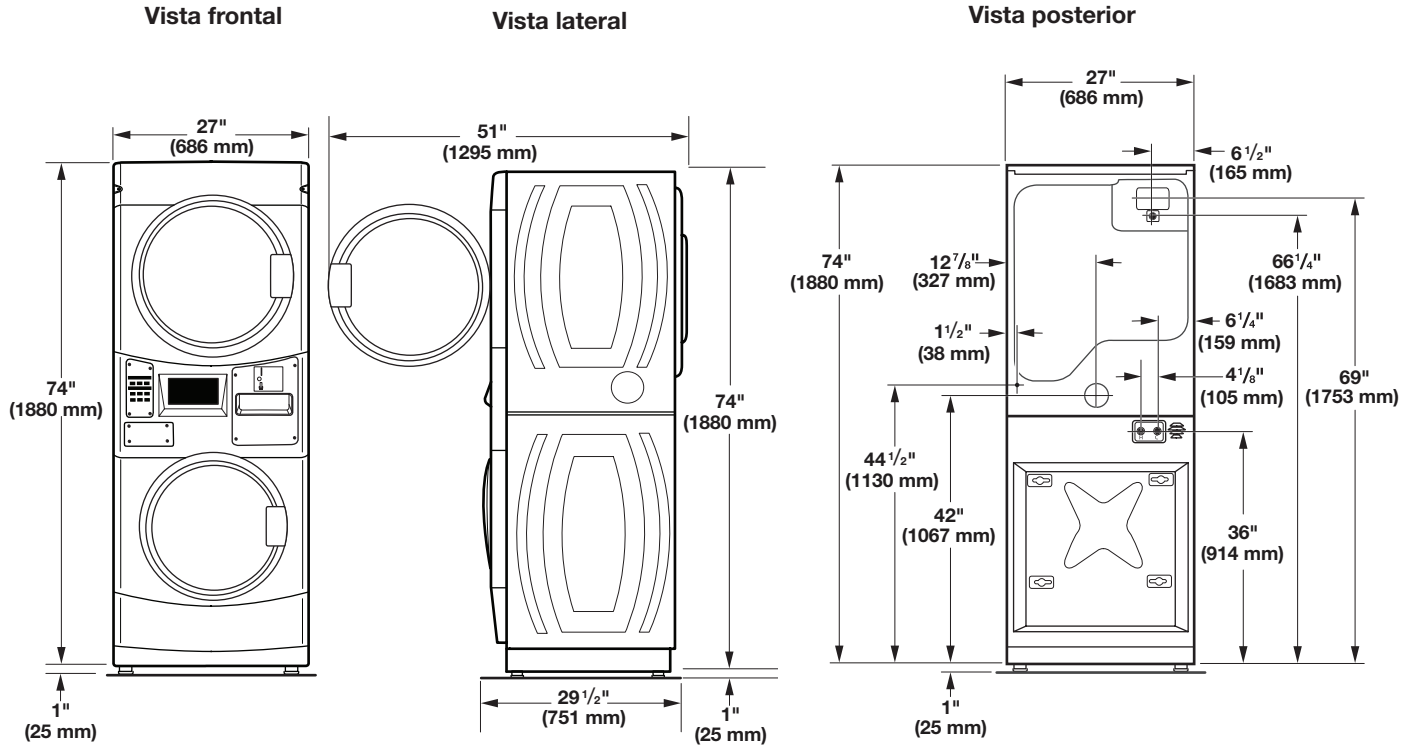
Accesorios

Realce su lavadora/secadora con estos accesorios de calidad superior.
Para obtener más artículos de alta calidad o hacer un pedido, llame al **1-866-698-2538** o visítenos en **www.whirlpool.com/accessories**.

Número de pieza	Accesorio
8212526	Bandeja de goteo para lavadora, encaja debajo de la lavadora completa
31682	Limpiador multiuso para electrodomésticos
1903WH	Carro de almacenamiento para artículos de lavandería
279818	Juego de ventilación de 3 direcciones de la secadora
285834	Juego de desviación de sifón

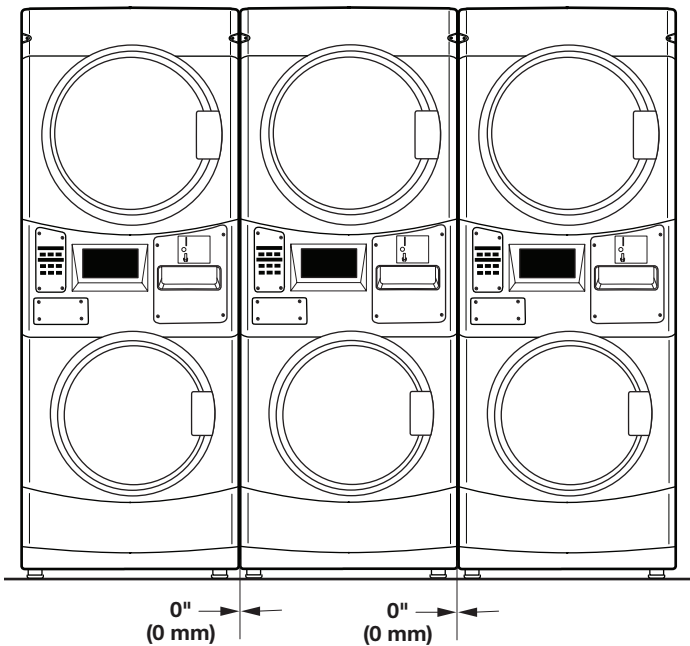
DIMENSIONES/ESPACIOS LIBRES

Dimensiones

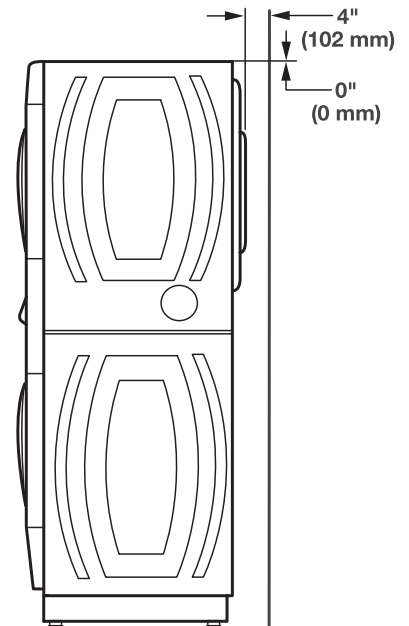


Espacios libres

Espacios libres laterales



Espacios libres en la parte posterior y superior



REQUISITOS DE INSTALACIÓN DE LA LAVADORA/SECADORA A GAS APILABLE

Ubicación de la lavadora/secadora a gas apilable

⚠ ADVERTENCIA



Peligro de Explosión

Mantenga los materiales y vapores inflamables, tales como la gasolina, alejados de la secadora.

No instale en un garage.

No seguir estas instrucciones puede ocasionar la muerte, explosión o incendio.

La selección de una ubicación apropiada para la lavadora/secadora mejora el rendimiento y reduce al mínimo el ruido y la posible "caminata" de la lavadora.

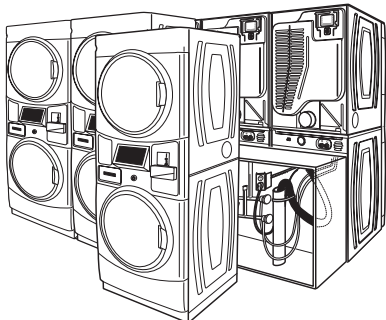
La lavadora/secadora se puede instalar en un sótano, cuarto para lavar o un lugar empotrado. Esta lavadora/secadora no ha sido diseñada para instalarse en una casa rodante ni en un vehículo recreativo. Para obtener más información, consulte la sección "Sistema de desagote de la lavadora".

También deberán tenerse en cuenta los requisitos de ubicación de otro aparato que le acompañe.

IMPORTANTE: No instale ni almacene esta lavadora/secadora donde esté expuesta a la intemperie. No almacene ni opere la lavadora/secadora a temperaturas de 32 °F (0 °C) o inferiores. El agua que quede en la lavadora puede ocasionar daños a bajas temperaturas. Usted es responsable de su correcta instalación.

Necesitará lo siguiente:

- Un calentador de agua fijado para suministrar a la lavadora agua a 120 °F (49 °C).
- Un tomacorriente eléctrico con conexión a tierra ubicado a una distancia máxima de 6 pies (1,8 m) del lugar donde el cable eléctrico está fijado a la parte trasera de la lavadora. Consulte la sección "Requisitos eléctricos".
- Grifos de agua caliente y de agua fría ubicados a una distancia de 4 pies (1,2 m) de las válvulas de llenado del agua caliente y agua fría y una presión de agua de 20 lb/pulg² - 100 lb/pulg² (137,9 kPa - 689,6 kPa).
- Un piso nivelado con un declive máximo de 1" (25 mm) debajo de la lavadora/secadora completa. No se recomienda instalar la lavadora/secadora sobre superficies blandas del piso, tales como alfombras o superficies con reverso de espuma.
- Un piso resistente y firme que soporte la lavadora/secadora con un peso total (del agua y de la carga) de 450 lb (204 kg).
- Un desagote de piso debajo del tabique. Los tabiques divisorios prefabricados con contactos eléctricos, las líneas de entrada de agua y las instalaciones con desagotes deben ser usados únicamente donde los códigos locales lo permitan.



Espacios libres de instalación para la lavadora/secadora a gas apilable:

- La ubicación debe ser lo suficientemente grande para permitir que las puertas de la lavadora y la secadora se abran completamente.
- Debe considerarse espacio adicional para facilitar la instalación y el mantenimiento. Las puertas se abren más de 180°. La puerta de la lavadora no es reversible.
- Se podrían necesitar espacios libres adicionales para las molduras de la pared, de la puerta y del piso.
- Se recomienda un espacio adicional de 1" (25 mm) en todos los lados de la lavadora/secadora para reducir la transferencia de ruido y mejorar el rendimiento del centrifugado de la lavadora.
- También se deberán tener en cuenta los requisitos para la ubicación de otro electrodoméstico que lo acompañe.

Cuando instale una secadora a gas:

IMPORTANTE: Respete todas las normativas y reglamentos vigentes.

- Verifique los requisitos de los códigos: Algunas normativas limitan, o no permiten, la instalación de la secadora en garajes, clóset o dormitorios. Comuníquese con el inspector de construcciones de su localidad.
- Asegúrese de que los bordes inferiores del gabinete, además de los lados de la parte posterior e inferior de la secadora, estén libres de obstrucciones, para permitir el espacio adecuado de aberturas para la combustión de aire. Consulte "Instrucciones para la instalación empotrada" a continuación para conocer los requisitos mínimos de espacio.

Instrucciones de instalación de la zona empotrada

Esta lavadora/secadora podrá instalarse en un área empotrada. Para las instalaciones en áreas empotradas, se pueden consultar los espacios mínimos en la etiqueta de advertencia, en la parte posterior de la secadora o en la sección "Dimensiones/espacios libres".

El espacio de instalación es en pulgadas (centímetros) y es el mínimo permitido. Debe considerarse espacio adicional para facilitar la instalación, el mantenimiento y el cumplimiento de las normativas y reglamentos locales.

La secadora debe ventilarse al exterior.

Requisitos eléctricos de la lavadora/secadora a gas apilable

⚠ ADVERTENCIA



Peligro de Choque Eléctrico

Conecte a un contacto de pared de conexión a tierra de 3 o 4 terminales.

No quite la terminal de conexión a tierra.

No use un adaptador.

No use un cable eléctrico de extensión.

No seguir estas instrucciones puede ocasionar la muerte, incendio o choque eléctrico.

IMPORTANTE: La lavadora/secadora debe tener una conexión de electricidad a tierra de acuerdo con los códigos y las ordenanzas locales o, en ausencia de códigos locales, con el Código nacional de electricidad (National Electrical Code), ANSI/NFPA 70, última edición, o el Código canadiense de electricidad (Canadian Electrical Code), CSA C22.1. Si los códigos lo permiten y se emplea un cable de conexión a tierra separado, es recomendable que un instalador eléctrico competente determine si la ruta de conexión a tierra es adecuada.

Puede obtener una copia de las normas de los códigos antes indicados en:

National Fire Protection Association
One Batterymarch Park, Quincy, MA 02269
CSA International
8501 East Pleasant Valley Road
Cleveland, Ohio 44131-5575

- No conecte la descarga a tierra a un tubo de gas.
- No coloque un fusible en el circuito neutro o de conexión a tierra.
- Se necesita un circuito eléctrico de 120 V, 60 Hz CA solamente, de 15 A o 20 A y protegido con fusibles. También se recomienda usar un fusible retardador o disyuntor. Asimismo, se recomienda el uso de un circuito independiente que preste servicio únicamente a esta lavadora/secadora.
- Esta lavadora/secadora viene equipada con un cable eléctrico dotado de un enchufe de 3 terminales con conexión a tierra.
- Para reducir al mínimo los posibles choques eléctricos, el cable se debe enchufar en un tomacorriente apropiado de pared de 3 terminales, conectado a tierra de acuerdo con los códigos y normas locales. Si no hay disponible un tomacorriente equivalente, es responsabilidad y obligación personal del cliente el hacer instalar un tomacorriente debidamente conectado a tierra por un electricista calificado.
- Si los códigos lo permiten y se emplea un cable de conexión a tierra separado, se recomienda que un electricista competente determine si la trayectoria de descarga a tierra es adecuada.
- Si no está seguro de que la conexión a tierra de la lavadora/secadora sea la adecuada, verifíquela con un electricista competente.

Conexión a tierra de la lavadora/secadora a gas apilable

INSTRUCCIONES PARA LA CONEXIÓN A TIERRA

Para una lavadora/secadora conectada a tierra con cable eléctrico:

Esta lavadora/secadora debe conectarse a tierra. En caso de funcionamiento defectuoso o avería, la conexión a tierra reducirá el riesgo de choque eléctrico al proporcionar una vía de menor resistencia para la corriente eléctrica. Esta lavadora/secadora viene equipada con un cable eléctrico que tiene un conductor de conexión a tierra del equipo y un enchufe con conexión a tierra. El enchufe debe conectarse en un contacto de pared apropiado que haya sido debidamente instalado y conectado a tierra de conformidad con todos los códigos y ordenanzas locales.

ADVERTENCIA: La conexión incorrecta de la terminal de conexión a tierra del equipo puede ocasionar un riesgo de choque eléctrico. Consulte con un electricista o técnico en reparaciones calificado si tiene duda alguna en cuanto a la conexión a tierra correcta del electrodoméstico.

No modifique el enchufe provisto con el electrodoméstico. Si éste no encaja en el contacto de pared, pida a un electricista calificado que le instale un contacto de pared apropiado.

Para una lavadora/secadora con contacto eléctrico permanente:

Esta lavadora/secadora debe estar conectada a un sistema de cableado de metal permanente, conectado a tierra, o se debe tender un conducto para la conexión a tierra del equipo con los conductores de circuito y conectado a la terminal de tierra del equipo o al conductor de suministro del electrodoméstico.

GUARDE ESTAS INSTRUCCIONES

Suministro de gas para la lavadora/secadora a gas apilable

ADVERTENCIA



Peligro de Explosión

Use una línea de suministro de gas nueva con aprobación CSA Internacional.

Instale una válvula de cierre.

Apriete firmemente todas las conexiones de gas.

Si se conecta a un suministro de gas propano, la presión no debe exceder una columna de agua de 330 mm (13 pulgada) y debe ser verificada por una persona calificada.

Ejemplos de una persona calificada incluyen:

**personal de servicio del sistema de calefacción con licencia,
personal autorizado de la compañía de gas, y
personal autorizado para dar servicio.**

No seguir estas instrucciones puede ocasionar la muerte, explosión o incendio.

IMPORTANTE: Respete todas las normativas y reglamentos vigentes. Esta instalación debe hacerse de acuerdo con todos los códigos y ordenanzas locales. Si no hay códigos locales, la instalación deberá hacerse de acuerdo al Código nacional estadounidense (American National Standard), el Código Nacional de Gas Combustible (National Fuel Gas Code), ANSI Z223.1/NFPA 54 o CAN/CSA B149.

Puede obtener una copia de las normas de los códigos antes indicados en:

National Fire Protection Association
One Batterymarch Park, Quincy, MA 02269
CSA International
8501 East Pleasant Valley Road
Cleveland, Ohio 44131-5575

El diseño de esta lavadora/secadora ha sido certificado por CSA International para uso en altitudes que alcanzan los 10 000 pies (3048 m) sobre el nivel del mar, en la categoría de BTU indicada en la placa del número de modelo/serie. No se requieren ajustes de la entrada del quemador cuando se usa la lavadora/secadora hasta esta altitud.

Si se instala a un nivel superior a los 10 000 pies (3,048 m) de altitud, se requiere una reducción de categoría de BTU del cuatro por ciento (4 %) del quemador, que se muestra en la placa del número de modelo/serie, por cada incremento de 1000 pies (305 m) de altitud. Para obtener asistencia para convertir el aparato a otros tipos de gas y/o instalar el aparato a una altitud superior a 10.000 pies (3,048 m), póngase en contacto con su compañía de servicio más cercana.

REQUISITOS DE INSTALACIÓN DE LA LAVADORA/SECADORA ELÉCTRICA APILABLE

Ubicación de la lavadora/secadora eléctrica apilable

⚠ ADVERTENCIA



Peligro de Explosión

Mantenga los materiales y vapores inflamables, tales como la gasolina, alejados de la secadora.

No instale en un garage.

No seguir estas instrucciones puede ocasionar la muerte, explosión o incendio.

La selección de una ubicación apropiada para la lavadora/secadora mejora el rendimiento y reduce al mínimo el ruido y la posible "caminata" de la lavadora.

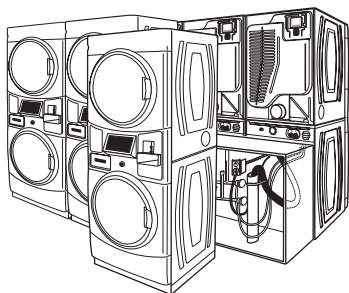
La lavadora/secadora se puede instalar en un sótano, cuarto para lavar o un lugar empotrado. Esta lavadora/secadora no ha sido diseñada para instalarse en una casa rodante ni en un vehículo recreativo. Para obtener más información, consulte la sección "Sistema de desagote de la lavadora".

También deberán tenerse en cuenta los requisitos de ubicación de otro aparato que le acompañe.

IMPORTANTE: No instale ni almacene esta lavadora/secadora donde esté expuesta a la intemperie. No almacene ni opere la lavadora/secadora a temperaturas de 32 °F (0 °C) o inferiores. El agua que quede en la lavadora puede ocasionar daños a bajas temperaturas. Usted es responsable de su correcta instalación.

Necesitará lo siguiente:

- Un calentador de agua fijado para suministrar a la lavadora agua a 120 °F (49 °C).
- Un tomacorriente eléctrico con conexión a tierra ubicado a una distancia máxima de 6 pies (1,8 m) del lugar donde el cable eléctrico está fijado a la parte trasera de la lavadora. Consulte "Requisitos eléctricos".
- Grifos de agua caliente y de agua fría ubicados a una distancia de 4 pies (1,2 m) de las válvulas de llenado del agua caliente y agua fría y una presión de agua de 20 lb/pulg²-100 lb/pulg² (137,9 kPa-689,6 kPa).
- Un piso nivelado con un declive máximo de 1" (25 mm) debajo de la lavadora/secadora completa. No se recomienda instalar la lavadora/secadora sobre superficies blandas del piso, tales como alfombras o superficies con reverso de espuma.
- Un piso resistente y firme que soporte la lavadora/secadora con un peso total (del agua y de la carga) de 450 lb (204 kg).
- Un desagote de piso debajo del tabique. Los tabiques divisorios prefabricados con contactos eléctricos, las líneas de entrada de agua y las instalaciones con desagotes deben ser usados únicamente donde los códigos locales lo permitan.



Espacios libres de instalación para la lavadora/secadora eléctrica apilable

- La ubicación debe ser lo suficientemente grande para permitir que las puertas de la lavadora y la secadora se abran completamente.
- Debe considerarse espacio adicional para facilitar la instalación y el mantenimiento. Las puertas se abren más de 180°. La puerta de la lavadora no es reversible.
- Se podrían necesitar espacios libres adicionales para las molduras de la pared, de la puerta y del piso.
- Se recomienda un espacio adicional de 1" (25 mm) en todos los lados de la lavadora/secadora para reducir la transferencia de ruido y mejorar el rendimiento del centrifugado de la lavadora.
- También se deberán tener en cuenta los requisitos para la ubicación de otro electrodoméstico que lo acompañe.

Instrucciones de instalación de la zona empotrada

Esta lavadora/secadora podrá instalarse en un área empotrada. En el caso de instalaciones empotradas, las distancias mínimas se encuentran en la etiqueta de advertencia situada en la parte trasera de la secadora. El espacio de instalación es en pulgadas (centímetros) y es el mínimo permitido. Debe considerarse espacio adicional para facilitar la instalación, el mantenimiento y el cumplimiento de las normativas y reglamentos locales. La secadora debe ventilarse al exterior.

Requisitos eléctricos de la lavadora/secadora eléctrica apilable

Requisitos eléctricos de lavadora

⚠ ADVERTENCIA



Peligro de Choque Eléctrico

Conecte a un contacto de pared de conexión a tierra de 3 o 4 terminales.

No quite la terminal de conexión a tierra.

No use un adaptador.

No use un cable eléctrico de extensión.

No seguir estas instrucciones puede ocasionar la muerte, incendio o choque eléctrico.

- No coloque un fusible en el circuito neutro o de conexión a tierra.
- Esta lavadora/secadora viene equipada con un cable eléctrico dotado de un enchufe de 3 terminales con conexión a tierra.
- Para reducir al mínimo los posibles choques eléctricos, el cable se debe enchufar en un tomacorriente apropiado de pared de 3 terminales, conectado a tierra de acuerdo con los códigos y normas locales. Si no hay disponible un tomacorriente equivalente, es responsabilidad y obligación personal del cliente el hacer instalar un tomacorriente debidamente conectado a tierra por un electricista calificado.
- Si los códigos lo permiten y se emplea un cable de conexión a tierra separado, se recomienda que un electricista competente determine si la trayectoria de descarga a tierra es adecuada.
- Si no está seguro de que la conexión a tierra de la lavadora sea la adecuada, verifíquela con un electricista competente.
- Este electrodoméstico cuenta con dos conexiones de alimentación al suministro eléctrico. Cada electrodoméstico deberá conectarse a un circuito derivado individual. La lavadora y la secadora deben estar en circuitos individuales.

Conexión a tierra de la lavadora/secadora eléctrica apilable

INSTRUCCIONES PARA LA CONEXIÓN A TIERRA

Para una lavadora/secadora conectada a tierra con cable eléctrico:

Esta lavadora/secadora debe conectarse a tierra. En caso de funcionamiento defectuoso o avería, la conexión a tierra reducirá el riesgo de choque eléctrico al proporcionar una vía de menor resistencia para la corriente eléctrica. Esta lavadora/secadora viene equipada con un cable eléctrico que tiene un conductor de conexión a tierra del equipo y un enchufe con conexión a tierra. El enchufe debe conectarse en un contacto de pared apropiado que haya sido debidamente instalado y conectado a tierra de conformidad con todos los códigos y ordenanzas locales.

ADVERTENCIA: La conexión incorrecta de la terminal de conexión a tierra del equipo puede ocasionar un riesgo de choque eléctrico. Consulte con un electricista o técnico en reparaciones calificado si tiene duda alguna en cuanto a la conexión a tierra correcta del electrodoméstico.

No modifique el enchufe provisto con el electrodoméstico. Si éste no encaja en el contacto de pared, pida a un electricista calificado que le instale un contacto de pared apropiado.

Para una lavadora/secadora con contacto eléctrico permanente:

Esta lavadora/secadora debe estar conectada a un sistema de cableado de metal permanente, conectado a tierra, o se debe tender un conducto para la conexión a tierra del equipo con los conductores de circuito y conectado a la terminal de tierra del equipo o al conductor de suministro del electrodoméstico.

GUARDE ESTAS INSTRUCCIONES

Requisitos eléctricos de la secadora

Es su responsabilidad:

- Comunicarse con un instalador eléctrico calificado.
- Asegurarse de que la conexión eléctrica sea adecuada y de conformidad con el Código Nacional Eléctrico, ANSI/NFPA 70 (última edición) y con todos los códigos y ordenanzas locales. El Código Eléctrico Nacional exige una conexión de suministro de 4 hilos para las viviendas construidas después de 1996, y para los circuitos de secadoras que se hayan remodelado después de 1996. Puede obtener una copia de las normas de los códigos antes indicados en:
National Fire Protection Association,
One Batterymarch Park, Quincy, MA 02269.
- Proveer el suministro eléctrico requerido de 3 hilos o 4 hilos, monofásico, de 240 V, 60 Hz CA solamente (o un suministro eléctrico de 3 hilos o 4 hilos, de 120 V/208 V, si se especifica en la placa indicadora de clasificación/de la serie) en un circuito separado de 30 A, protegido con fusibles en ambos lados de la línea. Se recomienda un fusible retardador o un cortacircuitos. Conectar a un circuito derivado individual. No coloque un fusible en el circuito neutro o de conexión a tierra.
- No utilice un cable de extensión.
- Si los códigos lo permiten y se emplea un cable de conexión a tierra separado, se recomienda que un electricista competente determine si la trayectoria de descarga a tierra es adecuada.

Conexión eléctrica

Para instalar su secadora adecuadamente, usted debe determinar el tipo de conexión eléctrica que va a usar y seguir las instrucciones que aquí se proveen para el caso.

- Esta secadora ha sido manufacturada lista para ser instalada en una conexión de suministro eléctrico de 3 hilos. El conductor neutro de conexión a tierra está permanentemente conectado al conductor neutro (cable blanco), dentro de la secadora. Si la secadora está instalada con una conexión de suministro eléctrico de 4 hilos, el conductor neutro de conexión a tierra se debe quitar del conector de conexión a tierra exterior (tornillo verde) y se debe ajustar debajo de la terminal neutra (cable central o blanco) del bloque de terminal. Cuando el conductor neutro de conexión a tierra esté ajustado debajo de la terminal neutra (cable central o blanco) del bloque de terminal, la carcasa de la secadora queda aislada del conductor neutro.
- Si los códigos locales no permiten la conexión de un cable neutro de conexión a tierra al cable neutro, consulte la sección "Conexión opcional de 3 cables".
- Deberá usarse una conexión con suministro eléctrico de 4 hilos cuando el aparato esté instalado en una ubicación en la cual esté prohibida la conexión a tierra a través del conductor neutro. Está prohibido hacer la puesta a tierra a través del conductor neutro para (1) las nuevas instalaciones de circuito derivado y (2) las áreas donde los códigos locales prohíben la conexión a tierra a través de conductores neutros.

Cable de suministro eléctrico de la secadora eléctrica

ADVERTENCIA



Peligro de Incendio

Use un cable de suministro eléctrico nuevo de 30 amperios que esté en la lista de UL.

Use un protector de cables que esté en la lista de UL.

Desconecte el suministro eléctrico antes de hacer las conexiones eléctricas.

Conecte el alambre neutro (el blanco o el del centro) a la terminal central (plateada).

El alambre de tierra (el verde o el no aislado) se debe conectar con el conector verde de tierra.

Conecte los 2 alambres de suministro restantes con las 2 terminales restantes (las doradas).

Apriete firmemente todas las conexiones eléctricas.

No seguir estas instrucciones puede causar la muerte, incendio o choque eléctrico.

Si emplea un cable eléctrico:

Use un juego de cable eléctrico que esté en la lista de UL, para ser usado con secadoras de ropa. El juego deberá incluir:

- Un cable de suministro de energía de 30 A, que esté en la lista de UL, de 240 V, como mínimo. El cable deberá ser del tipo SRD o SRDT, y tener por lo menos 4 pies (1,22 m) de largo. Los cables que lo conectan a la secadora deben acabar en terminales de anillo o de horquilla en forma de "U" con los extremos hacia arriba.
- Un protector de cables que esté en la lista de UL.

Si el contacto de pared luce como este:



Tomacorriente de 4 hilos (14-30R)

Entonces elija un cable de suministro eléctrico de 4 hilos con terminales de anillo o de horquilla y con protector de cables que esté en la lista de UL. El cable eléctrico de 4 hilos, de por lo menos 4 pies (1,22 m) de largo, debe tener cuatro hilos de cobre de calibre 10 y encajar en un tomacorriente para 4 hilos de NEMA Tipo 14-30R. El cable de conexión a tierra (conductor de conexión a tierra) debe ser verde o desnudo. Se deberá indicar el conductor neutro con una cubierta blanca.

Si el contacto de pared luce como este:



Tomacorriente de 3 hilos (10-30R)

Entonces elija un cable de suministro eléctrico de 3 hilos con terminales de anillo o de horquilla y con protector de cables que esté en la lista de UL. El cable eléctrico de 3 hilos, de por lo menos 4 pies (1,22 m) de largo, debe tener 3 hilos de cobre de calibre 10 y encajar en un tomacorriente para 3 hilos de NEMA Tipo 10-30R.

Cable directo de la secadora

⚠ ADVERTENCIA



Peligro de Incendio

- Utilice alambre de cobre de calibre 10.
- Use un protector de cables que esté en la lista de UL.
- Desconecte el suministro eléctrico antes de hacer las conexiones eléctricas.
- Conecte el alambre neutro (el blanco o el del centro) a la terminal central (plateado).
- El alambre de tierra (el verde o el no aislado) se debe conectar con el conector verde de tierra.
- Conecte los 2 alambres de suministro restantes con las 2 terminales restantes (las doradas).
- Apriete firmemente todas las conexiones eléctricas.
- No seguir estas instrucciones puede causar la muerte, incendio o choque eléctrico.

Si hace la conexión con cableado directo:

El cable eléctrico debe ser igual al suministro eléctrico (de 4 hilos o de 3 hilos) y debe ser:

- Cable blindado flexible o cable de cobre forrado no metálico (con cable de conexión a tierra), cubierto con un conducto metálico flexible. Todos los cables conductores de corriente deben estar aislados.
- Alambre de cobre sólido de calibre 10 (no utilice aluminio).
- Al menos 5 pies (1,52 m) de longitud.

REQUISITOS DE VENTILACIÓN DE LA SECADORA

⚠ ADVERTENCIA



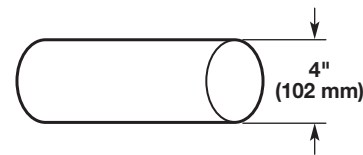
Peligro de Incendio

- Use un ducto de escape de metal pesado.
- No use un ducto de escape de plástico.
- No use un ducto de escape de aluminio.
- No seguir estas instrucciones puede ocasionar la muerte o incendio.

ADVERTENCIA: Para reducir el riesgo de incendio, esta secadora DEBE VENTILARSE EN EL EXTERIOR.

IMPORTANTE: Respete todas las normativas y reglamentos vigentes.

El ducto de escape de la secadora no debe conectarse en ningún conducto de gas, chimenea, pared, techo, desván, techo falso o el espacio oculto de un edificio. Debe usarse solamente un conducto de metal rígido o flexible para la ventilación.



Ducto de escape de metal pesado de 4" (102 mm)

- Solo puede usarse un ducto de escape de metal pesado de 4" (102 mm) y abrazaderas.
- No utilice un ducto de escape de plástico ni de hoja de metal.

Ducto de escape de metal rígido:

- Se recomienda para un mejor rendimiento de secado y para evitar que se aplaste o se retuerza.

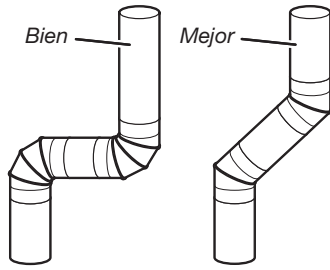
Ducto de escape de metal flexible: (Es aceptable solo si es accesible para la limpieza)

- Debe extenderse por completo y tener soporte en la ubicación final de la secadora.
- Quite el exceso del mismo para evitar que se doble y se retuerza, lo cual puede dar lugar a una reducción del flujo de aire y a un rendimiento insuficiente.
- No instale un ducto de escape de metal flexible en paredes, techos o pisos cerrados.
- La longitud total no deberá exceder los 7¾ pies (2,4 m).

NOTA: Si se usa un sistema de ventilación existente, limpie la pelusa que está en toda la longitud del sistema y asegúrese de que la capota de ventilación no esté obstruida con pelusa. Reemplace los conductos de ventilación de plástico o de hoja de metal por conductos de metal rígido o de metal flexible. Consulte "Cuadros del sistema de ventilación" y, si es necesario, modifique el sistema de ventilación existente para lograr el mejor desempeño de secado.

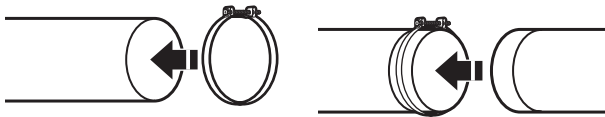
Codos:

- Los codos de 45° proveen un mejor flujo de aire que los codos de 90°.



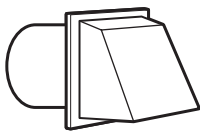
Abrazaderas:

- Utilice abrazaderas para sellar todas las juntas.
- No debe conectarse ni asegurarse el ducto de escape con tornillos ni con ningún otro dispositivo de sujeción que se extienda hacia el interior de dicho conducto y atrape pelusa. No utilice cinta para ductos.

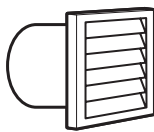


Capotas de ventilación

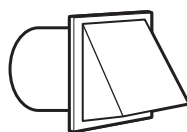
Capotas de ventilación de 4" (102 mm) de diámetro



Capota tipo caja



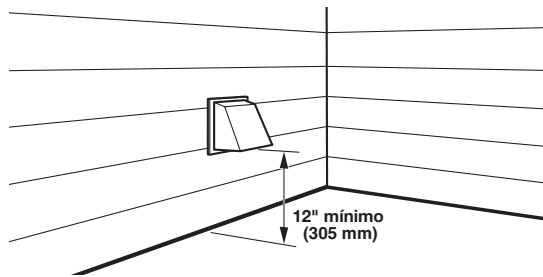
Capota tipo persiana



Capota angular

La capota de ventilación debe estar por lo menos a 12" (305 mm) de distancia del piso o de cualquier objeto que pudiese estar en el trayecto del ducto de escape (como flores, rocas, arbustos o nieve).

Longitud del sistema de ventilación



Longitud máxima del ducto de escape/conexión de ventilación

La longitud máxima del sistema de ventilación depende del tipo de conducto que se use, el número de codos y el tipo de capota de ventilación.

Cuadro del sistema de ventilación (ducto de escape de metal rígido)

N.º de giros en 90°	Capotas tipo caja y tipo persiana	Capota angular
0	64 pies (19,5 m)	58 pies (17,7 m)
1	54 pies (16,5 m)	48 pies (14,6 m)
2	44 pies (13,4 m)	38 pies (11,6 m)
3	35 pies (10,7 m)	29 pies (8,8 m)
4	27 pies (8,2 m)	21 pies (6,4 m)

Para los sistemas de ventilación que no se cubren en la tabla de especificación de ventilación, consulte con su distribuidor de piezas.

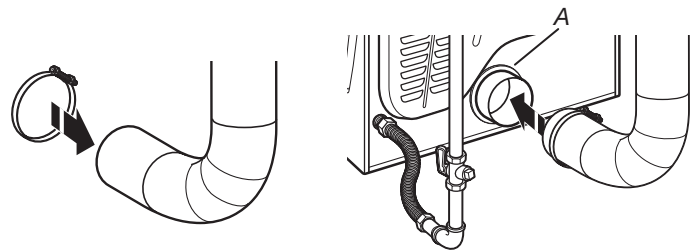
Deben preverse suficiente aire para la combustión y la ventilación. (Verifique las normativas y reglamentos vigentes.) Consulte "Instrucciones para la instalación empotrada" en las secciones "Ubicación de la lavadora/secadora a gas apilable" y "Ubicación de la lavadora/secadora eléctrica apilable".

Se prefiere una capota de salida de 4" (102 mm). Aun así, podrá usarse una capota de ventilación de salida de 2½" (64 mm). Una salida de 2½" (64 mm) crea una mayor contrapresión que otros tipos de capota.

Para una instalación permanente, se necesita un sistema fijo de ventilación.

Conexión del ducto de escape

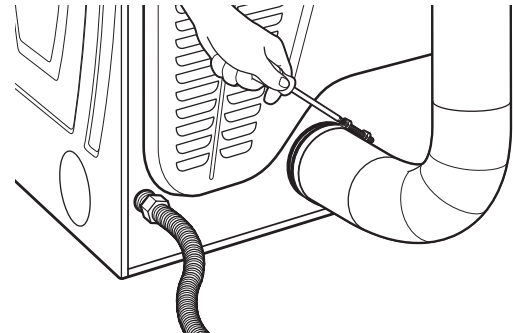
- Si se conecta a un ducto de escape existente, asegúrese de que esté limpio.
- Con una abrazadera de 4" (102 mm), conecte el ducto de escape a la salida de ventilación en la secadora.



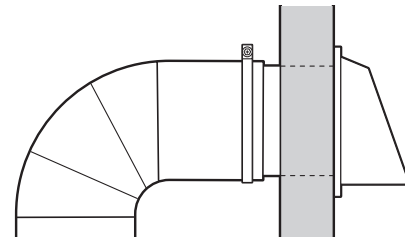
A. Collar de ventilación

NOTA: No quite el collar del ducto de escape.

- Apriete la abrazadera de manguera con un destornillador Phillips.



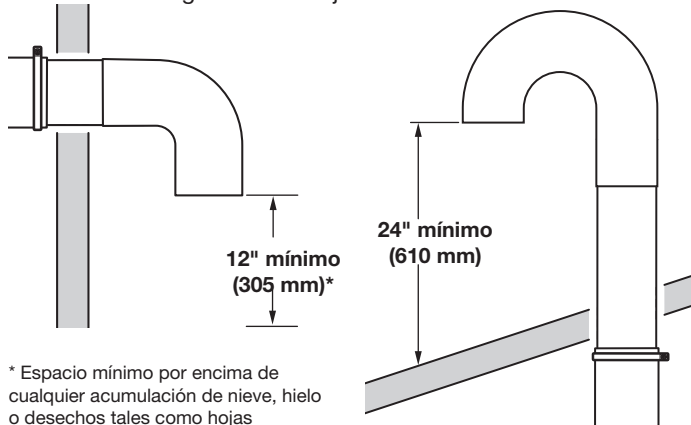
- Cerciórese de que el ducto de escape esté asegurado a la capota de ventilación con una abrazadera de 4" (102 mm).



- Mueva la secadora a su posición final. No aplaste ni retuerza el ducto de escape. Asegúrese de que la secadora esté nivelada.

Si no se puede usar una capota de ventilación

El extremo exterior del ducto de escape principal debe tener un codo redondo dirigido hacia abajo.



* Espacio mínimo por encima de cualquier acumulación de nieve, hielo o desechos tales como hojas

Si el ducto de escape principal tiene una trayectoria vertical a través del techo en vez de la pared, instale un codo barredero de 180° en el extremo del ducto, a un mínimo de 2 pies (610 mm) por arriba de la superficie del techo.

La abertura en la pared o el techo deberá tener un diámetro de 1/2" (13 mm) mayor que el diámetro del ducto. El conducto debe centrarse en la abertura.

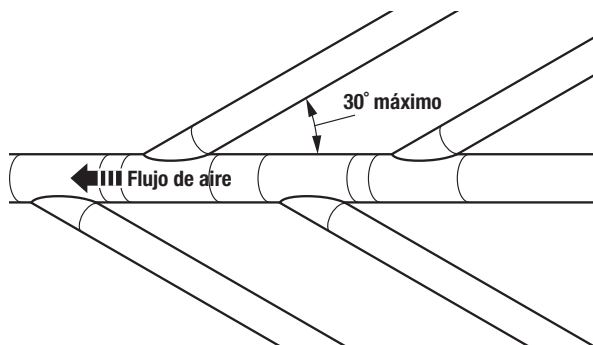
Para obtener el mejor rendimiento, no instale ninguna pantalla sobre el extremo del conducto.

Ventilación de varias secadoras

Puede usar un ducto principal para ventilar un grupo de secadoras. El ducto principal deberá tener el tamaño adecuado para sacar 200 CFM (pies cúbicos por minuto) de aire por cada secadora. Pueden usarse filtros de pelusa de gran capacidad con el diseño adecuado en el ducto principal si se controlan y se limpian con frecuencia. La habitación en donde estén ubicadas las secadoras deberá tener aire suficiente o mayor que los CFM de todas las secadoras en la habitación.

Un juego de compuerta de contratiro, Pieza n.º 3391910, se encuentra disponible con su distribuidor y se debe instalar en el ducto de cada secadora, para evitar que el aire que ya se ha sacado regrese a las secadoras, así como para mantener el ducto de escape equilibrado con el ducto principal. Se requieren aberturas de aire de retorno sin obstrucciones.

Cada ducto debe unirse al ducto principal en un ángulo que apunte en la dirección del flujo de aire. Los ductos que entran del lado opuesto deberán alternarse para reducir la interferencia del aire de salida con los otros ductos.



El ángulo máximo de cada ducto que entra en el ducto principal deberá ser no más de 30°.

†TEFLON® es una marca comercial registrada de Chemours.

REQUISITOS DEL SUMINISTRO DE GAS DE LA SECADORA

⚠ ADVERTENCIA



Peligro de Explosión

Use una línea de suministro de gas nueva con aprobación CSA Internacional.

Instale una válvula de cierre.

Apriete firmemente todas las conexiones de gas.

Si se conecta a un suministro de gas propano, la presión no debe exceder una columna de agua de 330 mm (13 pulgada) y debe ser verificada por una persona calificada.

Ejemplos de una persona calificada incluyen:

personal de servicio del sistema de calefacción con licencia,
personal autorizado de la compañía de gas, y
personal autorizado para dar servicio.

No seguir estas instrucciones puede ocasionar la muerte, explosión o incendio.

Esta secadora no está equipada con una unión de gas en el colector. Un instalador calificado deberá utilizar un conector de unión listado que cumpla con la norma para conectores de electrodomésticos a gas ANSI Z21.24 CSA 6.10 para conectar la secadora a la tubería de suministro de gas. Consulte el gráfico de conexión de suministro.

Tipo de gas

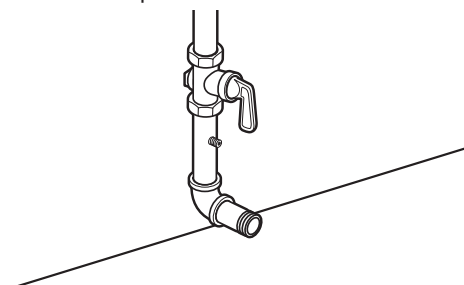
Esta secadora está equipada para uso con gas natural. Cuenta con la certificación de UL para el uso con gas propano con la conversión adecuada. No se deberá hacer intento alguno para convertir la secadora del gas especificado en la placa indicadora de la serie/clasificación para utilizar un gas distinto sin consultar con el abastecedor de gas. La conversión deberá llevarla a cabo un técnico de servicio calificado.

Los números de pieza del juego de conversión de gas se indican en la base del quemador de la válvula de gas.

Línea de suministro de gas

Método recomendado

Provea una línea de suministro de gas de tubería rígida (IPS) de 1/2" (13 mm) hacia la ubicación de la secadora. Pueden usarse compuestos para uniones de tubería que sean resistentes a la acción del gas propano. No utilice cinta TEFLON®†. Con gas propano, el tamaño de la tubería o los tubos puede ser de 1/2" (13 mm) como mínimo. Por lo general, los proveedores de gas propano determinan el tamaño y los materiales que deben usarse en el sistema.



Prueba de presión del suministro de gas

Se debe instalar una derivación tapada NTP de por lo menos 1/8" (3 mm), accesible para las pruebas de calibre, inmediatamente debajo de la válvula de cierre instalada que va a la secadora (como se muestra arriba). Se debe desconectar la secadora del sistema de tubería del suministro de gas, siempre que se hagan pruebas de presión de dicho sistema a presiones de prueba que excedan 1/2" psi (352 kg/m²).

Método opcional

El suministro de gas también se puede conectar usando tubería aprobada de cobre o aluminio de 3/8" (10 mm). Si la longitud total de la línea de suministro es mayor que 20 pies (6,1 m), deberá usarse tubos más largos.

Si va a usar gas natural, no use tubería de cobre. Pueden usarse compuestos para uniones de tubería que sean resistentes a la acción del tipo de gas provisto.

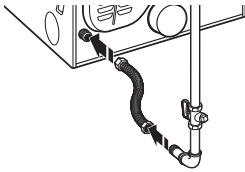
Se requiere una válvula de cierre

La línea de suministro debe estar equipada con una válvula de cierre manual instalada a una distancia menor de 6 pies (1,8 m) de la secadora, de acuerdo al National Fuel Gas Code (Código nacional de gas combustible), ANSI Z223.1. Esta válvula debe encontrarse en la misma habitación que la secadora. Debe estar en una ubicación que permita abrir y cerrar con facilidad. No bloquee el acceso a la válvula de cierre.

Conector flexible de metal para electrodomésticos

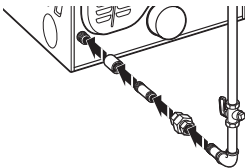
Se recomienda utilizar una nueva línea de gas flexible de acero inoxidable, de diseño certificado por CSA International, para conectar la secadora a la línea de suministro de gas (la tubería de gas que se extiende a través de la parte trasera inferior de la secadora está provista de una rosca macho de 3/8" [10 mm]).

NOTA: No tuerza ni dañe la línea de gas flexible de acero inoxidable cuando mueva la secadora.



Conexión de tubería rígida

La conexión de tubería rígida requiere una combinación de accesorios de tubería para obtener una conexión en línea hacia la secadora.



INSTALACIÓN DE LA LAVADORA/ SECADORA APILABLE

Eliminación del sistema de transporte

NOTA: Deslice la lavadora/secadora sobre un trozo de cartón o madera dura antes de moverla por el piso para no dañar su acabado.

⚠ ADVERTENCIA

Peligro de Peso Excesivo

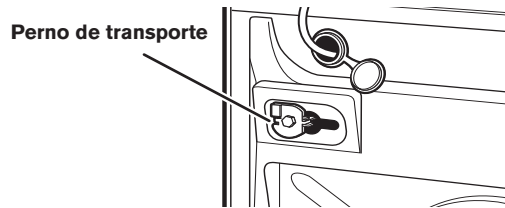
Use dos o más personas para mover e instalar la lavadora/secadora.

No seguir esta instrucción puede ocasionar una lesión en la espalda u otro tipo de lesiones.

IMPORTANTE: Coloque la lavadora/secadora de manera que la parte trasera de la lavadora esté a unos 3 pies (900 mm) de su ubicación final.

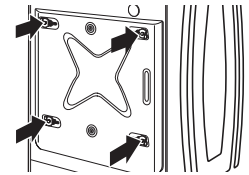
Hay cuatro pernos de transporte en el panel posterior de la lavadora que sostienen el sistema de suspensión durante el transporte. Estos pernos también retienen el cable eléctrico dentro de la lavadora hasta quitarlos.

1. Mantenga la lavadora/secadora en posición vertical mientras quita los pernos de transporte.



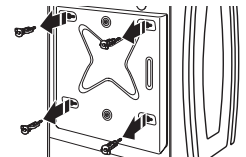
Perno de transporte con espaciador de plástico

2. Afloje cada uno de los pernos con una llave de tuercas de 1/2" (13 mm).



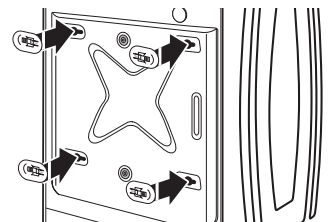
3. Una vez que cada perno esté flojo, muévelo al centro del orificio y saque completamente el perno, incluyendo el espaciador de plástico y guárdelos en un lugar para usarlos si la unidad necesita ser movida en una fecha posterior.

IMPORTANTE: Si la lavadora va a ser transportada posteriormente, llame a su centro de servicio local para obtener nuevos pernos de transporte en caso de que se extravíe el juego original. La máquina debe ser transportada en posición vertical. Para prevenir daños estructurales o de la suspensión de la lavadora, debe estar debidamente preparada por un técnico certificado para ser nuevamente ubicada.



4. Modelos con cables de suministro de la lavadora por separado: Empuje el cable de suministro de energía dentro de la abertura, en lado derecho del panel posterior, y jale el cable de suministro de energía a través de la abertura en el lado izquierdo del panel posterior; cierre los orificios con la tapa provista. No jale el extremo del cable eléctrico a través del orificio del lado derecho.

NOTA: Si no es posible jalar el cable fuera de la parte posterior de la lavadora fácilmente, no lo fuerce para evitar que las piezas interiores de la lavadora o el cable se dañen. Quite el panel posterior de la lavadora y pase el cable eléctrico librando la obstrucción para sacarlo por el orificio en el lado izquierdo del panel posterior.

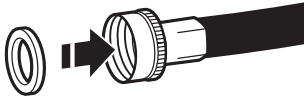


5. Cierre los orificios de los pernos con los cuatro tapones para orificios de pernos de transporte.

IMPORTANTE: Si se va a transportar la lavadora/secadora, llame al distribuidor o el instalador del producto. Para prevenir daños estructurales y de suspensión, su lavadora/secadora debe estar debidamente preparada para ser nuevamente ubicada por un profesional competente.

Conexión de las mangueras de entrada

Inserte las nuevas arandelas para manguera (suministradas) en cada extremo de las mangueras de entrada. Asiente firmemente las arandelas en los acoplamientos.

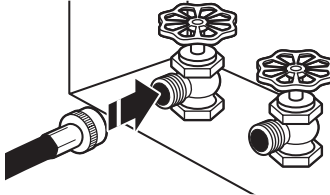


Lavadora Acoplamiento

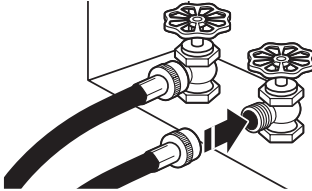
Conecte las mangueras de entrada a los grifos de agua

Asegúrese de que el tambor de la lavadora esté vacío.

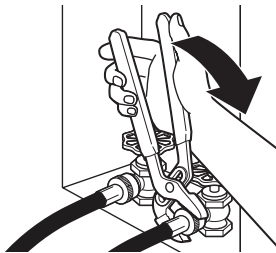
1. Conecte una manguera al grifo de agua caliente. Atornille el acoplamiento con la mano hasta que se asiente en la arandela.



2. Conecte una manguera al grifo de agua fría. Atornille el acoplamiento con la mano hasta que se asiente en la arandela.



3. Apriete los acoplamientos dos tercios de vuelta adicional con los alicates.



NOTA: No apriete la válvula en exceso ni use cinta o selladores en la misma. Se pueden dañar las válvulas.

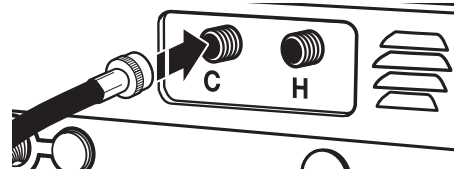
Despeje las líneas de agua

- Deje correr el agua de los grifos y las mangueras de desagote en un lavadero, tubo de desagote o cubeta para eliminar las partículas que se encuentran en las tuberías del agua, las cuales podrían obstruir los filtros de la válvula de entrada.
- Verifique la temperatura del agua para asegurarse de que la manguera de agua caliente esté conectada al grifo de agua caliente y que la manguera de agua fría esté conectada al grifo de agua fría.

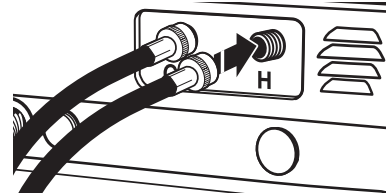


Conecte las mangueras de entrada a la lavadora

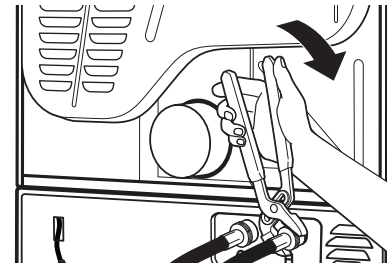
1. Fije la manguera de agua fría a la válvula de entrada de agua fría de la lavadora. Atornille el acoplamiento con la mano hasta que se asiente en la arandela.



2. Fije la manguera de agua caliente a la válvula de entrada de agua caliente de la lavadora. Atornille el acoplamiento con la mano hasta que se asiente en la arandela.

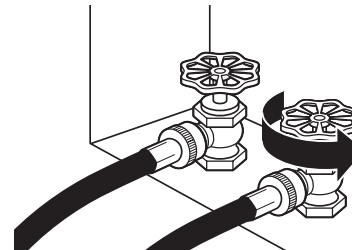


3. Apriete los acoplamientos dos tercios de vuelta adicional con los alicates.



NOTA: No ajuste demasiado. Se puede dañar la válvula.

4. Abra por completo los grifos de agua y revise si hay fugas.



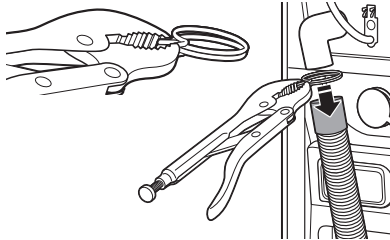
NOTA: Reemplace las mangueras de entrada después de 5 años de uso para reducir el riesgo de que fallen. Para consulta en el futuro, anote en las mangueras la fecha de instalación o la fecha de reposición de estas.
 Inspeccione periódicamente y reemplace las mangueras si aparecen bultos, torceduras, cortaduras, desgaste o filtraciones de agua.

Tienda de la manguera de desagote

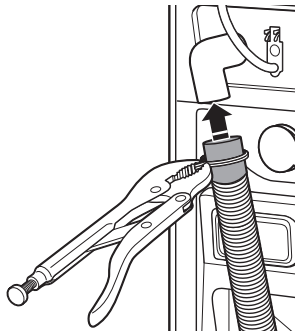
El tendido apropiado de la manguera de desagote evita daños a sus pisos ocasionados por filtraciones de agua. Lea y siga estas instrucciones.

Retire la manguera de desagote del tambor de la lavadora

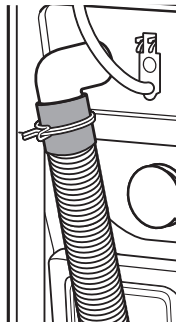
1. Usando pinzas de presión, apriete las lengüetas de la abrazadera para manguera para unir las, e insértelas en el extremo de la manguera de desagote.



2. Deslice la manguera de desagote en el conector de la lavadora.



3. Una vez que la manguera de desagote esté en su lugar, deje de apretar las pinzas.



4. El sistema de desagote de la lavadora se puede instalar utilizando un desagote de piso, un tubo vertical de pared, un tubo vertical de piso o una tina de lavadero.

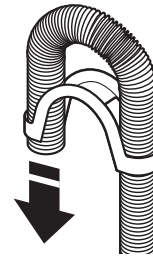
Desagote de tina del lavadero o desagote de tubo vertical

Conecte el molde de la manguera de desagote a la manguera de desagote corrugada.
 Encaje cualquiera de los extremos del molde a la manguera de desagote en el lugar donde comienza el corrugado.



Doble la manguera de desagote sobre el molde de la manguera de desagote y trábela en su lugar.

NOTA: La manguera no se debe extender más de 1" (25 mm) más allá del extremo del doblé en "U".



Para evitar que el agua de desagote vuelva a la lavadora:

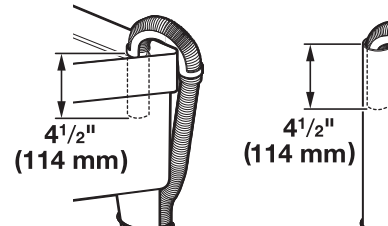
- No enderece la manguera de desagote ni fuerce el exceso de la misma dentro del tubo vertical. La manguera debe quedar asegurada pero lo suficientemente floja que permita un espacio para el aire.
- No tienda el exceso de la manguera en el fondo de la tina del lavadero.

Desagote de piso

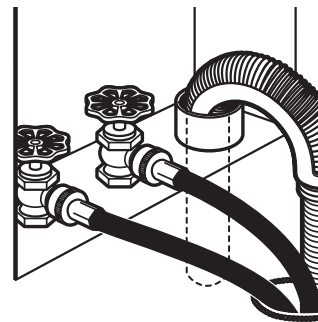
Quizás necesite piezas adicionales. Consulte "Piezas alternativas".

Asegure la manguera de desagote

1. Coloque el cable eléctrico encima de la lavadora.
2. Mueva la lavadora a su ubicación final.
3. Ubique la manguera de desagote en la tina de lavadero o el tubo vertical, como se muestra.



4. Asegure la manguera de desagote con el fleje de atadura rebordeado suministrado.
5. Si los grifos de suministro de la lavadora y el tubo vertical de desagote están empotrados, coloque el extremo en forma de gancho de la manguera de desagote en el tubo vertical, como se muestra.



NOTAS:

- No fuerce el exceso de manguera de desagote dentro de la parte trasera de la lavadora.
- Para evitar el sifonaje de agua, no selle la manguera de desagote en el tubo vertical.
- Es responsabilidad del instalador instalar y asegurar la manguera de desagote en el desagote/la plomería que se provee de una manera que impida que la manguera de desagote se salga o presente fugas de la plomería/el desagote.

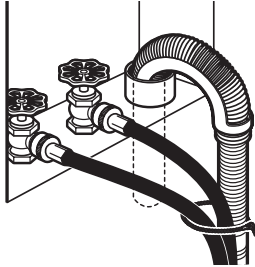
SISTEMA DE DESAGOTE DE LA LAVADORA

Se puede instalar la lavadora utilizando el sistema de desagote por tubo vertical (en el piso o en la pared), el sistema de desagote por la tina de lavadero, o el sistema de desagote por el piso.

Sistema de desagote por tubo vertical: pared o piso

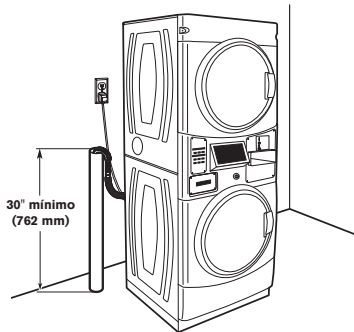
El desagote por tubo vertical necesita un tubo vertical con un diámetro mínimo de 2" (50 mm). La capacidad mínima de transporte no puede ser inferior a 38 L (10 galones) por minuto.

Pared



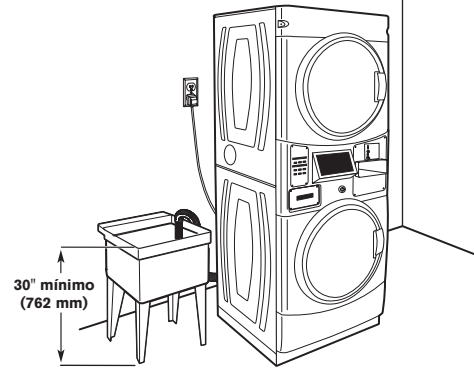
La parte superior del tubo vertical debe tener una altura mínima de 30" (762 mm) y máxima de 96" (2,4 m) desde la parte inferior de la lavadora.

Piso



Sistema de desagote de tina de lavadero

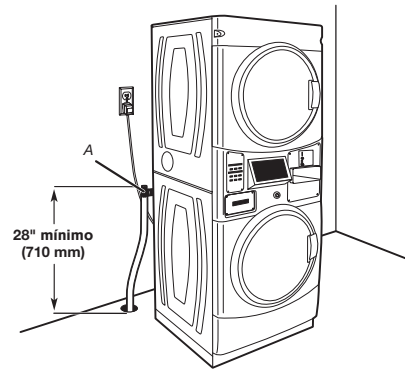
La tina del lavadero necesita una capacidad mínima de 20 galones (76 L). La parte superior de la tina del lavadero debe estar a una altura mínima de 30" (762 mm) del piso.



Sistema de desagote por el piso

El sistema de desagote por el piso necesita una desviación de sifón que puede adquirirse por separado.

La desviación del sifón (Pieza número 285834) debe estar a una distancia mínima de 28" (710 mm) de la parte inferior de la lavadora. Se pueden necesitar mangueras adicionales.



A. Desviación de sifón

CONEXIONES ELÉCTRICAS DE LA SECADORA ELÉCTRICA

Opciones para la conexión eléctrica			
Si su ubicación tiene:	Y se va a hacer la conexión con:	Vaya a la sección	
Tomacorriente de 4 hilos (tipo NEMA 14-30R)		Un cable de suministro de secadora de 120 V/240 V como mínimo y 30 A, con certificación UL*	Cable de suministro, conexión de 4 hilos
Tomacorriente de 3 hilos (tipo NEMA 10-30R)		Un cable de suministro de secadora de 120 V/240 V como mínimo y 30 A, con certificación UL*	Cable de suministro, conexión de 3 hilos
Un cable directo de 4 hilos		Un desconectador con fusible o una caja de cortacircuitos*	Conexión directa de 4 hilos
Un cable directo de 3 hilos		Un desconectador con fusible o una caja de cortacircuitos*	Conexión directa de 3 hilos

* Si los códigos locales no permiten la conexión de un conductor para conexión a tierra del gabinete al alambre neutro, prosiga a la sección "Conexión opcional de 3 hilos".

Cable de suministro eléctrico

⚠️ ADVERTENCIA



Peligro de Incendio

Use un cable de suministro eléctrico nuevo de 30 amperios que esté en la lista de UL.

Use un protector de cables que esté en la lista de UL.

Desconecte el suministro eléctrico antes de hacer las conexiones eléctricas.

Conecte el alambre neutro (el blanco o el del centro) a la terminal central (plateada).

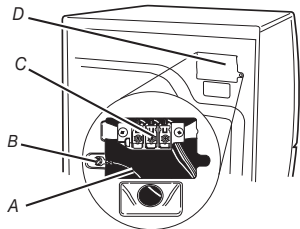
El alambre de tierra (el verde o el no aislado) se debe conectar con el conector verde de tierra.

Conecte los 2 alambres de suministro restantes con las 2 terminales restantes (las doradas).

Apriete firmemente todas las conexiones eléctricas.

No seguir estas instrucciones puede causar la muerte, incendio o choque eléctrico.

1. Desconecte el suministro eléctrico.
2. Quite el tornillo de sujeción y la cubierta de la caja de terminal.



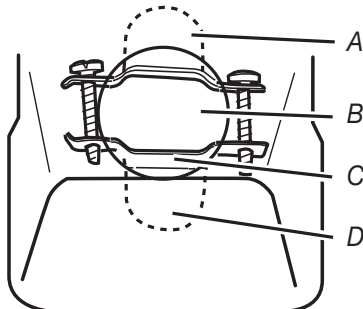
- A. Cable neutro de conexión a tierra
- B. Tornillo conductor de tierra externo
- C. Tornillo central del bloque de terminal
- D. Tapa del bloque de terminal y tornillo de sujeción

3. Instale el alivio de tensión del cable de suministro.

Protector del cable eléctrico:

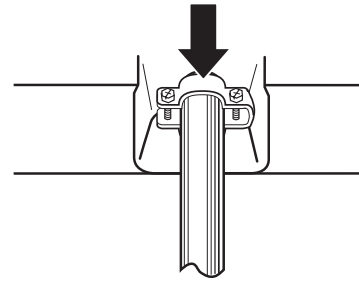
- Quite los tornillos de un protector de cables de 19 mm (3/4") que esté en la lista de UL. Coloque las lengüetas de las dos secciones de la abrazadera en el orificio que está debajo de la abertura del bloque de terminal de manera que una lengüeta esté apuntando hacia arriba y la otra esté apuntando hacia abajo, y sujételas en su lugar.

Apriete los tornillos de alivio de tensión lo suficiente como para mantener unidas las dos secciones de la abrazadera.



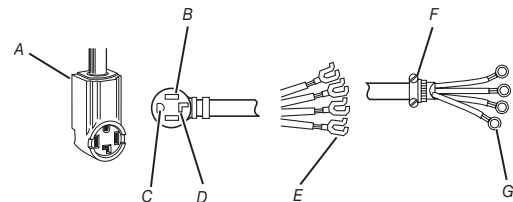
- A. Lengüeta de alivio de tensión apuntando hacia arriba
- B. Agujero debajo de la abertura del bloque de terminal
- C. Sección de abrazaderas
- D. Lengüeta de alivio de tensión apuntando hacia abajo

- Haga pasar el cable eléctrico a través del protector de cables. Asegúrese de que el aislamiento de cables del cable eléctrico esté dentro del protector de cables. El protector de cables deberá encajar de manera ajustada con la carcasa de la secadora y estar en posición horizontal. No ajuste más los tornillos del protector de cables en este momento.



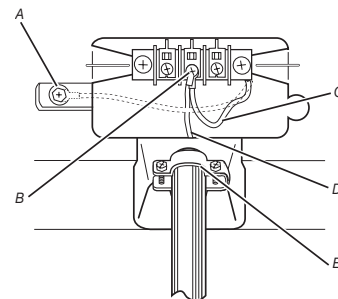
Cable de suministro, conexión de 4 hilos:

IMPORTANTE: Se necesita una conexión de 4 hilos donde los códigos locales no permitan el uso de conexiones de 3 hilos.



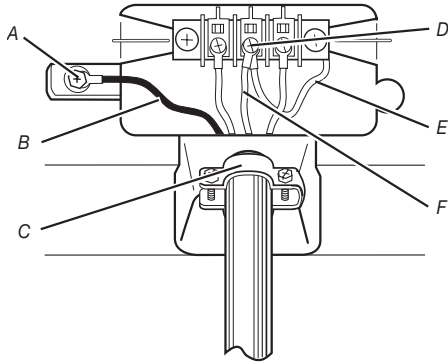
- A. Tomacorriente de 4 hilos (tipo NEMA 14-30R)
- B. Enchufe de 4 patas
- C. Pinza de tierra
- D. Pinza de neutro
- E. Terminales de horquilla con extremos hacia arriba
- F. Alivio de tensión de 3/4" (19 mm) con certificación UL
- G. Terminales de anillo

1. Quite el tornillo central del bloque de terminal.
2. Saque el hilo de tierra del tornillo conductor de tierra externo. Conecte el hilo neutro de puesta a tierra y el hilo neutro (hilo blanco o central) del cable de suministro de energía debajo del tornillo central del bloque de terminal. Apriete el tornillo.



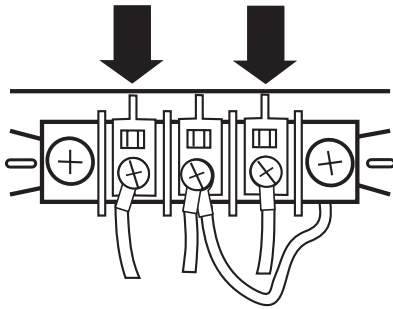
- A. Tornillo conductor a tierra - La línea punteada muestra la posición del hilo a tierra NEUTRAL antes de moverse al tornillo central del bloque de terminal.
- B. Tornillo central del bloque de terminal
- C. Cable neutro de conexión a tierra
- D. Cable neutro (blanco o central)
- E. Alivio de tensión de 3/4" (19 mm) con certificación UL

3. Conecte el hilo de tierra (verde o desnudo) del cable de suministro de energía al tornillo conductor a tierra externo. Apriete el tornillo.



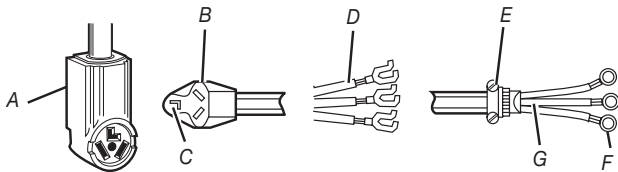
- A. Tornillo conductor de tierra externo
- B. Hilo de tierra (verde o desnudo) del cable de suministro de energía
- C. Alivio de tensión de 3/4" (19 mm) con certificación UL
- D. Tornillo central del bloque de terminal
- E. Cable neutro de conexión a tierra
- F. Cable neutro (blanco o central)

4. Conecte los otros cables a los tornillos externos del bloque de terminal. Apriete los tornillos.

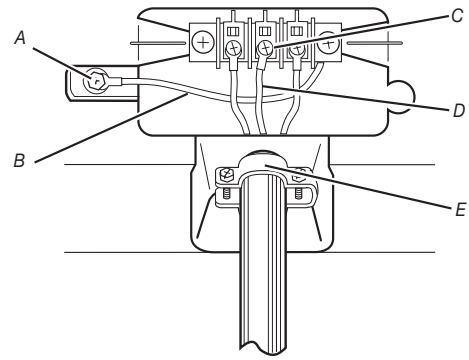


- 5. Apriete los tornillos del protector de cables.
- 6. Inserte la lengüeta de la tapa del bloque de terminal dentro de la ranura del panel posterior de la secadora. Asegure la tapa con un tornillo de sujeción.
- 7. Ha completado la conexión eléctrica.

Cable de suministro, conexión de 3 hilos:



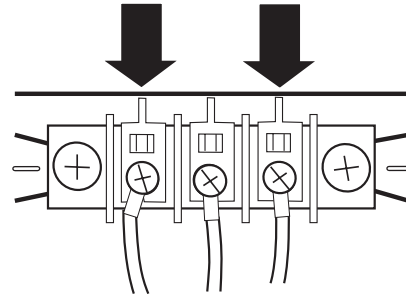
- A. Tomacorriente de 3 hilos (tipo NEMA 10-30R)
- B. Enchufe de 3 hilos
- C. Pinza de neutro
- D. Terminales de horquilla con extremos hacia arriba
- E. Alivio de tensión de 3/4" (19 mm) con certificación UL
- F. Terminales de anillo
- G. Neutro (cable blanco o central)



- A. Tornillo conductor de tierra externo
- B. Cable neutro de conexión a tierra
- C. Tornillo central del bloque de terminal
- D. Cable neutro (blanco o central)
- E. Alivio de tensión de 3/4" (19 mm) con certificación UL

Úsela donde los códigos locales permitan conectar el conductor de tierra del gabinete al cable neutro.

- 1. Afloje o retire el tornillo central del bloque de terminal.
- 2. Conecte el hilo neutro (hilo blanco o central) del cable de suministro de energía al tornillo central del bloque de terminal. Apriete el tornillo.
- 3. Conecte los otros cables a los tornillos externos del bloque de terminal. Apriete los tornillos.



- 4. Apriete los tornillos del protector de cables.
- 5. Inserte la lengüeta de la tapa del bloque de terminal dentro de la ranura del panel posterior de la secadora. Asegure la tapa con un tornillo de sujeción.
- 6. Ha completado la conexión eléctrica.

Método de cableado directo

⚠ ADVERTENCIA



Peligro de Incendio

Utilice alambre de cobre de calibre 10.

Use un protector de cables que esté en la lista de UL.

Desconecte el suministro eléctrico antes de hacer las conexiones eléctricas.

Conecte el alambre neutro (el blanco o el del centro) a la terminal central (plateado).

El alambre de tierra (el verde o el no aislado) se debe conectar con el conector verde de tierra.

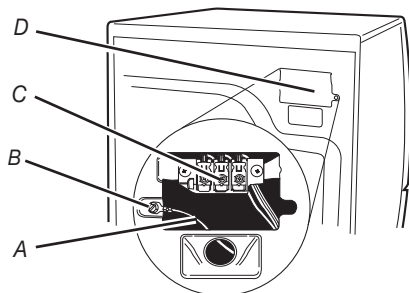
Conecte los 2 alambres de suministro restantes con las 2 terminales restantes (las doradas).

Apriete firmemente todas las conexiones eléctricas.

No seguir estas instrucciones puede causar la muerte, incendio o choque eléctrico.

El cable directo debe ser igual al suministro eléctrico (de 4 hilos o de 3 hilos) y debe ser:

- Cable blindado flexible o cable de cobre forrado no metálico (con alambre de puesta a tierra), protegido con un conducto metálico flexible. Todos los cables conductores de corriente deben estar aislados.
 - Cable de cobre sólido de calibre 10 (no utilice aluminio).
 - Al menos 5 pies (1,52 m) de longitud.
1. Desconecte el suministro eléctrico.
 2. Quite el tornillo de sujeción y la tapa de la caja de terminal.

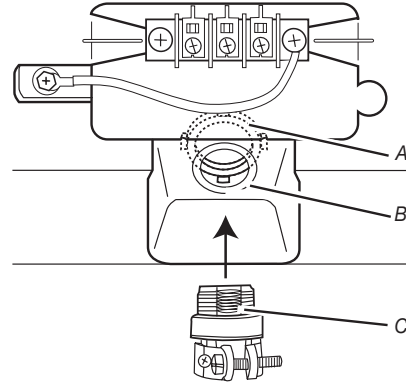


- A. Cable neutro de conexión a tierra
- B. Tornillo conductor de tierra externo
- C. Tornillo central del bloque de terminal
- D. Tapa del bloque de terminal y tornillo de sujeción

3. Instale el alivio de tensión del cableado directo.
4. Complete la instalación según las instrucciones correspondientes al tipo de conexión eléctrica que tiene:
 - 4 cables (método recomendado)
 - 3 hilos (si no se dispone de cuatro hilos)

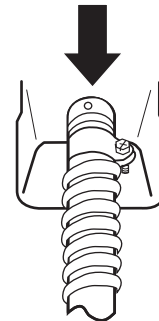
Protector de cables para cable directo:

- Desatornille el conector de conducto extraíble y cualquier tornillo del protector de cables de 3/4" (19 mm) que está en la lista de UL. Haga pasar la sección trenzada del protector de cables a través del orificio que está debajo de la abertura del bloque de terminal. Busque dentro de la abertura del bloque de terminal y atornille el conector de conducto removible sobre las roscas del protector de cables.



- A. Conector de conductos extraíble
- B. Agujero debajo de la abertura del bloque de terminal
- C. Roscas de alivio de tensión

- Haga pasar el cable directo a través del protector de cables. El protector de cables deberá encajar de manera ajustada con la carcasa de la secadora y estar en posición horizontal. Apriete el tornillo del protector de cables contra el cable directo.

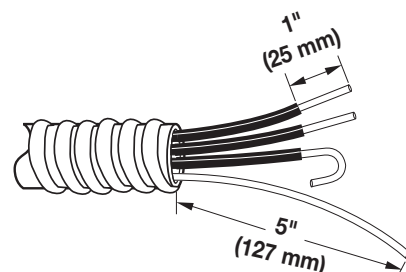


Conexión directa de 4 hilos:

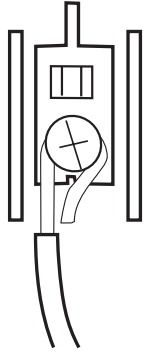
IMPORTANTE: Se necesita una conexión de 4 hilos donde los códigos locales no permitan el uso de conexiones de 3 hilos.

El cable directo deberá tener 5 pies (1,52 m) de largo adicional para poder mover la secadora si es necesario.

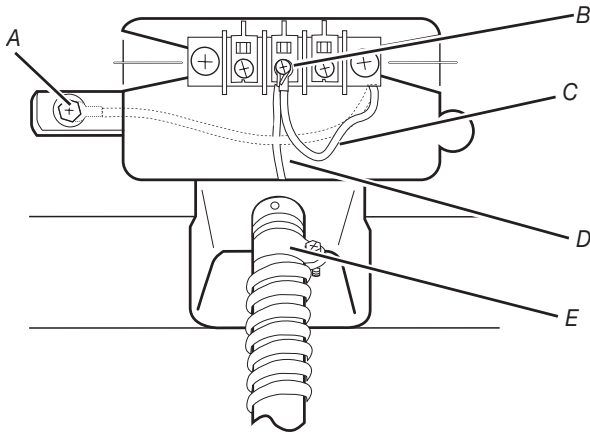
Pele 5" (127 mm) de la cubierta exterior del extremo del cable, dejando el cable a tierra desnudo a 5" (127 mm). Corte 1 1/2" (38 mm) de los tres cables restantes. Pele el aislamiento 1" (25 mm). Doble los extremos de los cables para formar un gancho.



Cuando haga la conexión al bloque de terminal, coloque el extremo del hilo en forma de gancho bajo el tornillo del bloque de terminal (con el gancho mirando hacia la derecha), apriete los extremos en forma de gancho hasta juntarlos y asegure el tornillo, como se muestra.

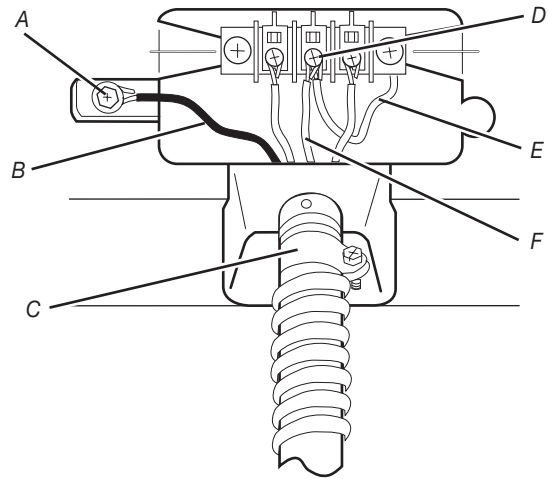


1. Quite el tornillo central del bloque de terminal.
2. Saque el hilo de tierra del tornillo conductor de tierra externo. Conecte el hilo neutro de puesta a tierra y coloque el extremo en forma de gancho (gancho mirando hacia la derecha) del hilo neutro (blanco o central) del cable de conexión directa debajo del tornillo central del bloque de terminal. Apriete y junte los extremos en forma de gancho. Apriete el tornillo.



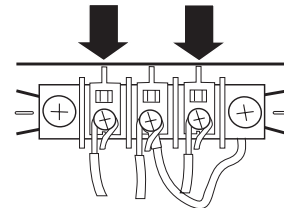
- A. Tornillo conductor a tierra - La línea punteada muestra la posición del hilo a tierra Neutral antes de moverse al tornillo central del bloque de terminal.
- B. Tornillo central del bloque de terminal
- C. Cable neutro de conexión a tierra
- D. Cable neutro (blanco o central)
- E. Alivio de tensión de 3/4" (19 mm) con certificación UL

3. Conecte el cable de tierra (verde o desnudo) del cable directo al tornillo del conductor de tierra externo. Apriete el tornillo.



- A. Tornillo conductor de tierra externo
- B. Cable de tierra (verde o desnudo) del cable directo
- C. Alivio de tensión de 3/4" (19 mm) con certificación UL
- D. Tornillo central del bloque de terminal
- E. Cable neutro de conexión a tierra
- F. Cable neutro (blanco o central)

4. Coloque los extremos enganchados de los otros hilos del cable directo debajo de los tornillos del bloque de terminal exterior (los ganchos mirando hacia la derecha). Apriete y junte los extremos en forma de gancho. Apriete los tornillos.



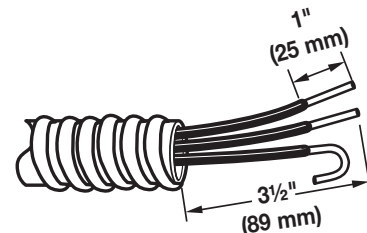
5. Apriete los tornillos del protector de cables.
6. Inserte la lengüeta de la tapa del bloque de terminal dentro de la ranura del panel posterior de la secadora. Asegure la tapa con un tornillo de sujeción.
7. Ha completado la conexión eléctrica.

Conexión directa de 3 hilos:

Úsela donde los códigos locales permitan conectar el conductor de tierra del gabinete al cable neutro.

El cable directo deberá tener 5 pies (1,52 m) de largo adicional para poder mover la secadora si es necesario.

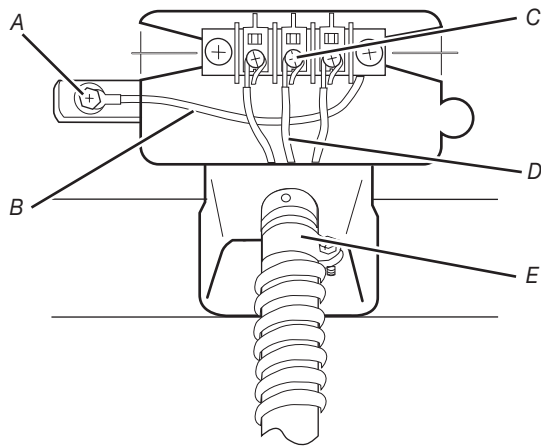
Pele 3 1/2" (89 mm) de la cubierta exterior del extremo del cable. Pele el aislamiento 1" (25 mm). Si va a usar el cable de 3 hilos con cable a tierra, corte el cable desnudo alineado con la cubierta exterior. Doble los extremos de los cables para formar un gancho.



Cuando haga la conexión al bloque de terminal, coloque el extremo del hilo en forma de gancho bajo el tornillo del bloque de terminal (con el gancho mirando hacia la derecha), apriete los extremos en forma de gancho hasta juntarlos y asegure el tornillo, como se muestra.

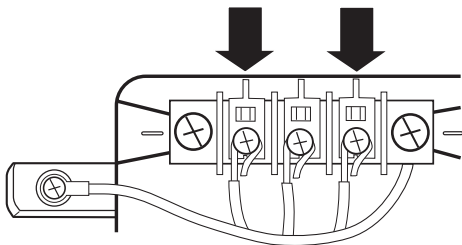


1. Afloje o retire el tornillo central del bloque de terminal.
2. Coloque el extremo enganchado del hilo neutro (blanco o central) del cable directo bajo el tornillo central del bloque de terminal (gancho hacia la derecha). Apriete y junte el extremo en forma de gancho. Apriete el tornillo.



- A. Tornillo conductor de tierra externo
- B. Cable neutro de conexión a tierra
- C. Tornillo central del bloque de terminal
- D. Cable neutro (blanco o central)
- E. Alivio de tensión de 3/4" (19 mm) con certificación UL

3. Coloque los extremos enganchados de los otros hilos del cable directo debajo de los tornillos del bloque de terminal exterior (los ganchos mirando hacia la derecha). Apriete y junte los extremos en forma de gancho. Apriete los tornillos.
4. Apriete los tornillos del protector de cables.

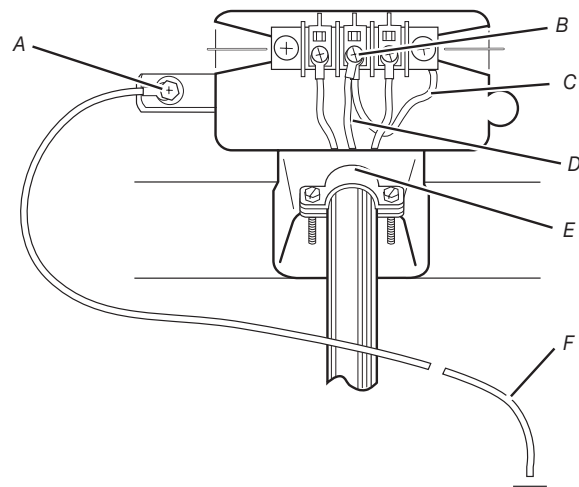


5. Inserte la lengüeta de la tapa del bloque de terminal dentro de la ranura del panel posterior de la secadora. Asegure la tapa con un tornillo de sujeción.
6. Ha completado la conexión eléctrica.

Conexión opcional de 3 cables:

Úselo para el cable directo o el cable de suministro eléctrico donde los códigos locales no permiten conectar un conductor de conexión a tierra de la carcasa al cable neutro.

1. Quite el tornillo central del bloque de terminal.
2. Saque el hilo de tierra del tornillo conductor de tierra externo. Conecte el hilo neutro de puesta a tierra y el hilo neutro (hilo blanco o central) del cable de suministro de energía debajo del tornillo central del bloque de terminal. Apriete el tornillo.
3. Conecte los otros cables a los tornillos del bloque de terminal exterior (ganchos hacia la derecha). Apriete los tornillos.
4. Apriete los tornillos del protector de cables.
5. Conecte un hilo de tierra de cobre separado desde el tornillo conductor a tierra externo a tierra adecuada.
6. Inserte la lengüeta de la tapa del bloque de terminal dentro de la ranura del panel posterior de la secadora. Asegure la tapa con un tornillo de sujeción.



- A. Tornillo conductor de tierra externo
- B. Tornillo central del bloque de terminal
- C. Cable neutro de conexión a tierra
- D. Cable neutro (blanco o central)
- E. Alivio de tensión de 3/4" (19 mm) con certificación UL
- F. Ruta de conexión a tierra determinada por un electricista cualificado

NIVELACIÓN

Nivelación de la lavadora/secadora apilable

Nivelar adecuadamente su lavadora/secadora reduce el ruido y la vibración en exceso.

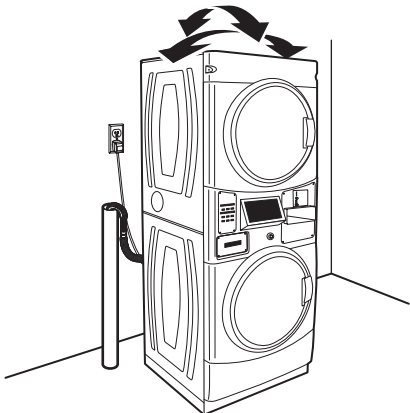
⚠ ADVERTENCIA

Peligro de Peso Excesivo

Use dos o más personas para mover e instalar la lavadora/secadora.

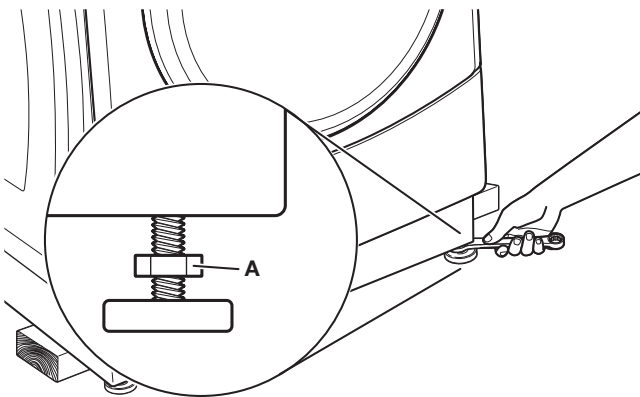
No seguir esta instrucción puede ocasionar una lesión en la espalda u otro tipo de lesiones.

1. Retire el cartón que está debajo de la lavadora/secadora. Coloque un nivel en los bordes superiores de la lavadora/secadora, revisando cada lado y el frente. Si la lavadora/secadora no está nivelada, inclínela y ajuste las patas hacia arriba o hacia abajo, como se muestra en los pasos 3 y 4, repitiendo si es necesario.
2. Sujete la lavadora/secadora de la parte superior y balancéela de atrás hacia delante, asegurándose de que las 4 patas estén firmes en el piso. Repítalo, balanceando la lavadora/secadora de un lado al otro. Si se balancea la lavadora/secadora, vaya al paso 3 y regule las patas niveladoras. Si las cuatro patas hacen contacto firme con el piso, vaya al paso 4.



3. Si la lavadora/secadora no está nivelada, use una llave de boca o una llave ajustable de 9/16" o 14 mm para girar las tuercas de sujeción hacia la derecha (como se muestra por arriba) sobre las patas, hasta que estén a aproximadamente 1/2" (13 mm) de la carcasa de la lavadora/secadora. Luego, gire la pata niveladora hacia la izquierda para bajar la lavadora/secadora, o hacia la derecha para levantarla. Vuelva a verificar la nivelación de la lavadora/secadora y que las cuatro patas estén en contacto firme con el piso. Repita el procedimiento según sea necesario.

CONSEJO ÚTIL: Puede apuntalar el frente de la lavadora/secadora aproximadamente 4" (102 mm) con un bloque de madera o un objeto similar que vaya a soportar el peso de la lavadora/secadora.



Tuerca de seguridad

4. Una vez que la lavadora/secadora esté nivelada y que las cuatro patas hagan contacto firme con el piso, use una llave de boca de 9/16" o 14 mm, o bien una llave ajustable, para girar las tuercas fijadoras en las tuercas de fijación de las patas niveladoras hacia la izquierda (como se muestra por arriba), y apretarlas con firmeza contra la carcasa de la lavadora/secadora.

CONSEJO ÚTIL: Puede apuntalar la lavadora/secadora con un bloque de madera.

INSTALACIÓN COMPLETA

1. Verifique los requisitos eléctricos. Asegúrese de contar con la fuente de electricidad correcta y el método recomendado de conexión a tierra. Consulte "Requisitos eléctricos".
2. Verifique que todas las piezas estén ahora instaladas. Si hay una pieza adicional, repita los pasos.
3. Verifique que tenga todas las herramientas.
4. Deseche/recicle todos los materiales de embalaje.
5. Verifique que los grifos de agua estén abiertos.
6. Verifique si hay fugas alrededor de los grifos y de las mangueras de entrada.

⚠ ADVERTENCIA



Peligro de Choque Eléctrico

Conecte a un contacto de pared de conexión a tierra de 3 o 4 terminales.

No quite la terminal de conexión a tierra.

No use un adaptador.

No use un cable eléctrico de extensión.

No seguir estas instrucciones puede ocasionar la muerte, incendio o choque eléctrico.

7. Enchufe en un contacto con conexión a tierra o reconecte el suministro de energía.
8. Para probar y limpiar la lavadora, mida la mitad de la cantidad de detergente de alto rendimiento (HE) recomendada por el fabricante para una carga mediana. Vierta el detergente en el depósito del detergente. Seleccione cualquier ciclo y permita que la lavadora termine un ciclo completo.
9. Verifique el funcionamiento de la secadora. Seleccione un ciclo completo con calor y deje que la secadora funcione durante 5 minutos por lo menos. La secadora se detendrá cuando haya transcurrido el tiempo.

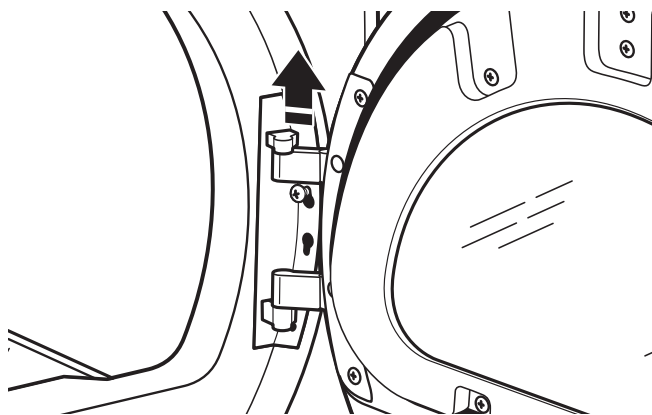
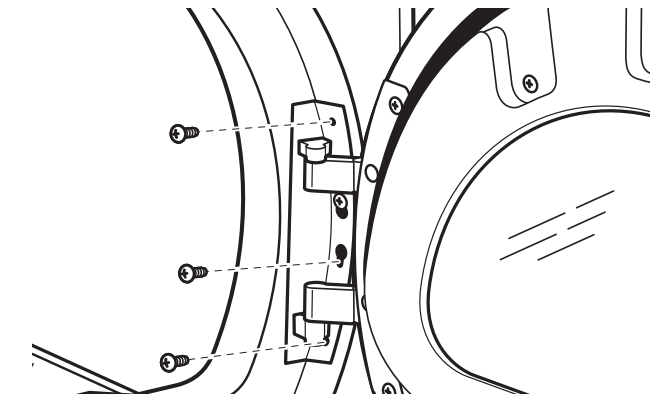
NOTA: La puerta de la secadora debe cerrarse para que funcione. Cuando se abre la puerta, la secadora se detiene, pero el temporizador continúa funcionando. Para volver a poner en marcha la secadora, cierre la puerta y presione el botón del ciclo.

Si el quemador no se enciende y no siente calor dentro de la secadora, apáguela por cinco minutos. Revise que todos los controles de la válvula de suministro estén en la posición "ON", y que el cable eléctrico esté enchufado. Repita la prueba de cinco minutos.

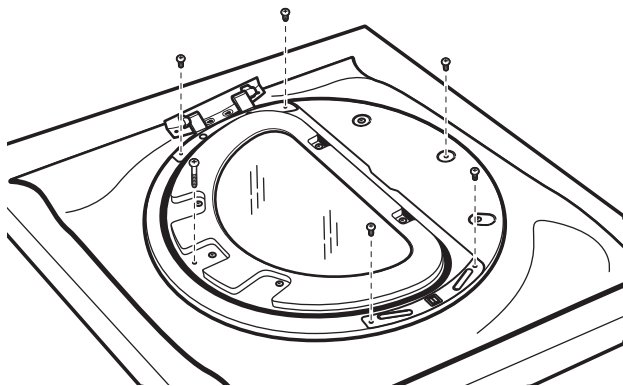
CAMBIO DE SENTIDO DE LA ABERTURA DE LA PUERTA (OPCIONAL)

Cómo quitar el conjunto de la puerta

1. Ponga una toalla o un paño suave sobre la secadora o el espacio de trabajo para evitar arañar la superficie.
2. Quite tres de los cuatro tornillos que sostienen la bisagra de la puerta en el panel frontal de la secadora. Afloje parcialmente el tornillo con bocallave restante y levante la puerta del tornillo para separarla.

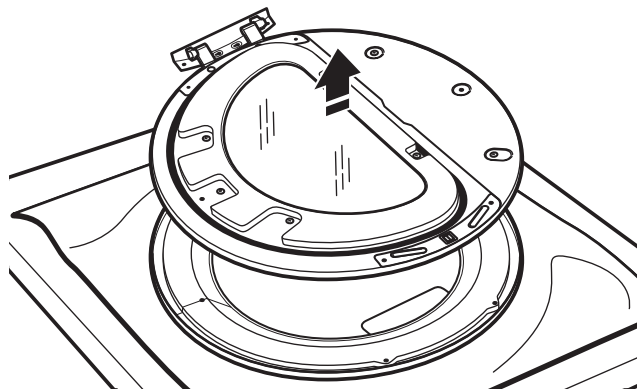


3. Coloque el ensamblaje de la puerta horizontalmente sobre una superficie plana que se haya preparado anteriormente, con el lado interior (el ensamblaje de la puerta interior) mirando hacia arriba, y quite los seis tornillos de cabeza Phillips para separar el ensamblaje de la puerta exterior del ensamblaje de la puerta interior.

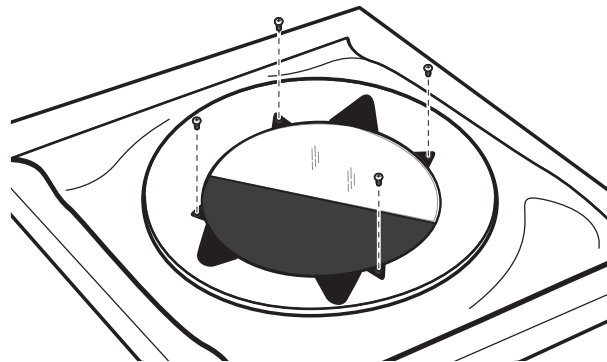


NOTA: Es importante que quite solamente los seis tornillos indicados.

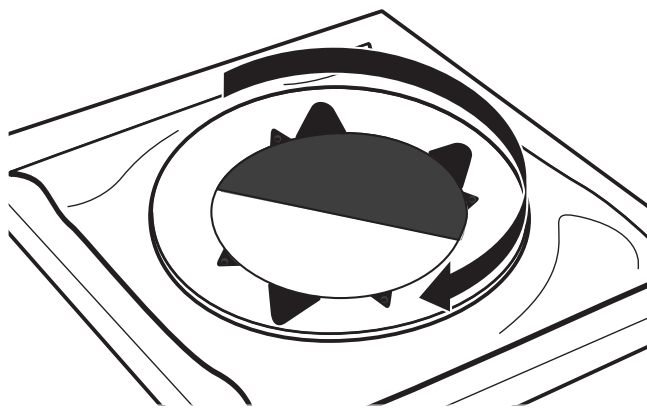
4. Levante el ensamblaje de la puerta interior y sepárelo del ensamblaje de la puerta exterior.



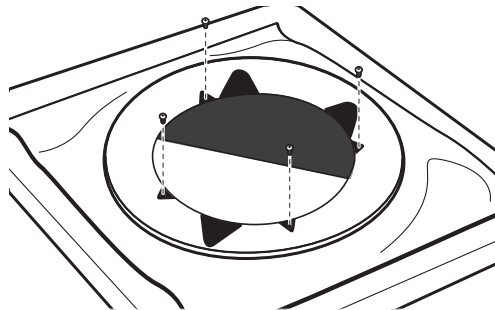
5. Quite los cuatro tornillos Phillips para liberar el alambre central del inserto del anillo de la puerta exterior.



6. Levante y rote 180 grados el alambre central del inserto.

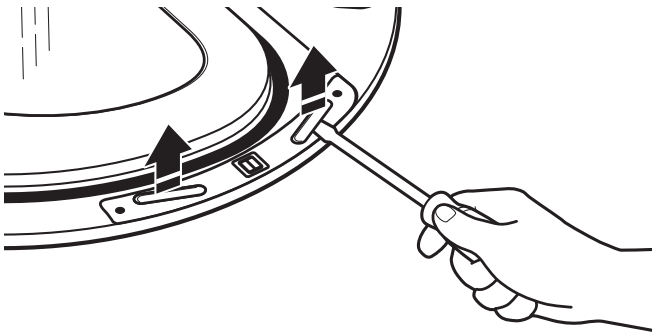


7. Vuelva a colocar el alambre central del inserto y el anillo de la puerta exterior con los cuatro tornillos.

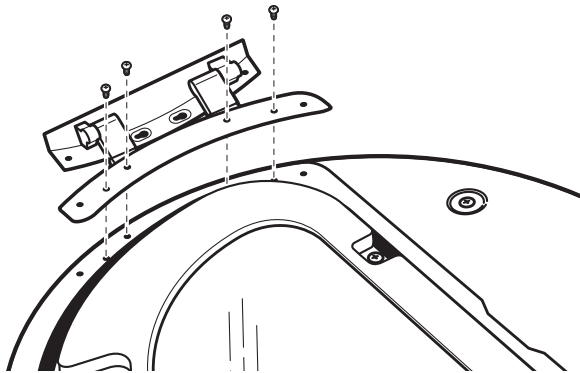


Bisagra inversa

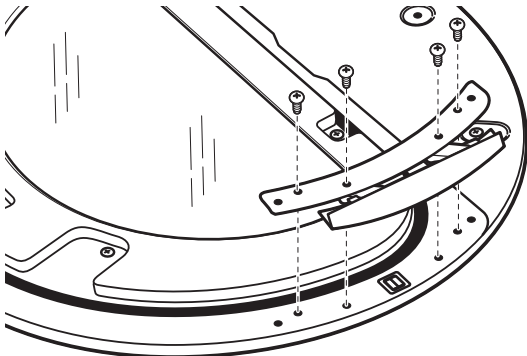
1. Use un pequeño destornillador de hoja plana para quitar los dos tapones largos de la puerta interior. Deslice la hoja del destornillador debajo de los enchufes, sin rayar la superficie de la puerta interior, y levante el tapón.



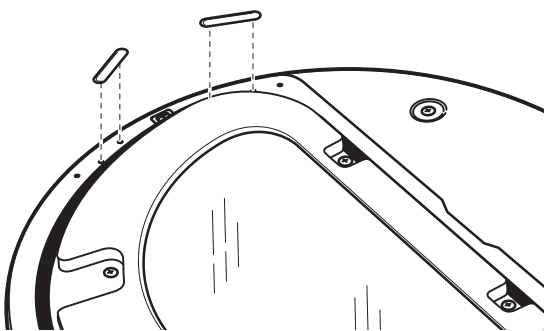
2. Quite los cuatro tornillos que sujetan la puerta interior a la bisagra.



3. Mueva la bisagra al otro lado. Vuelva a colocar los cuatro tornillos.



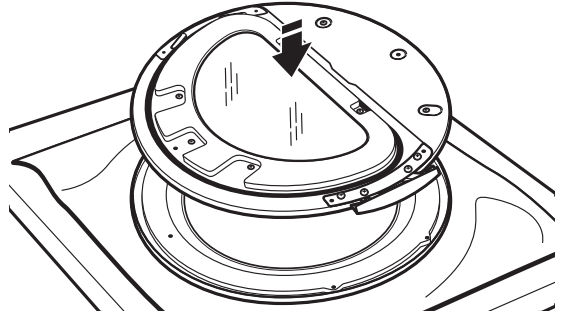
4. Vuelva a colocar las cintas de los tapones en el lado opuesto de la puerta interior.



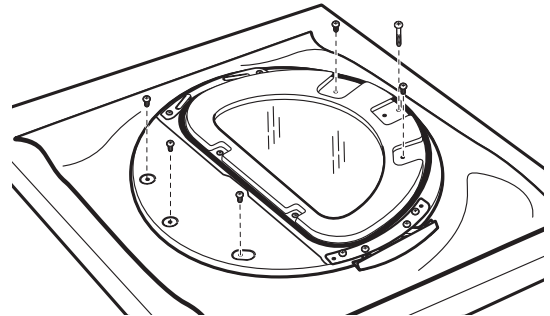
5. Fíjese si hay huellas digitales en el vidrio. Limpie si es necesario.

Reemplace el conjunto de la puerta

1. Coloque el ensamblaje de la puerta interior dentro del ensamblaje de la puerta exterior.

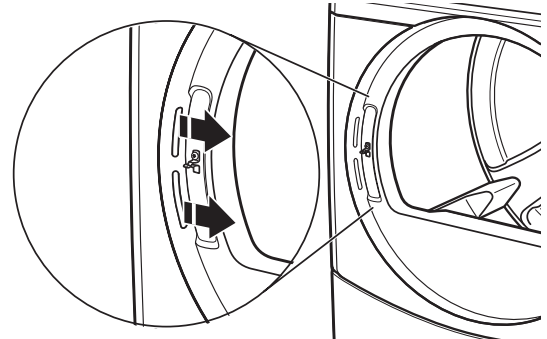


2. Vuelva a colocar los ensamblajes de la puerta exterior e interior con los seis tornillos.

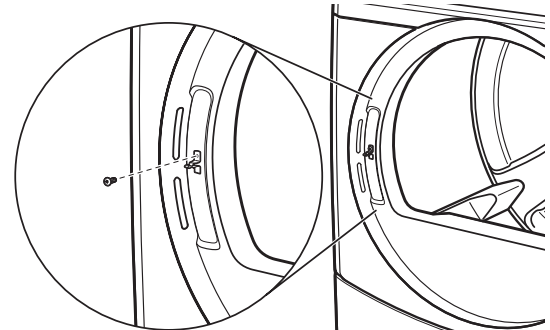


Cómo invertir el tope

1. Retire las etiquetas para exponer los orificios de las bisagras.



2. Quite el tope con un destornillador Phillips.

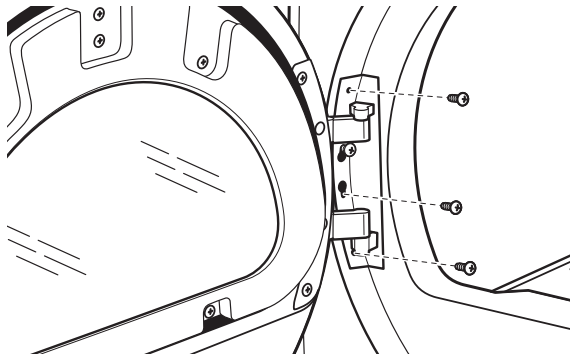


3. Inserte el tope en el lado opuesto.

4. Vuelva a aplicar las etiquetas en el lado opuesto. Si la etiqueta está dañada, solicite el número de referencia W11481394.

Cómo reinstalar la puerta

1. Inserte parcialmente el tercer tornillo desde la parte superior; luego deslice la bisagra sobre este tornillo mientras engancha la bisagra en el orificio frontal del panel. Vuelva a colocar la puerta en el panel frontal de la secadora con los tres tornillos restantes.



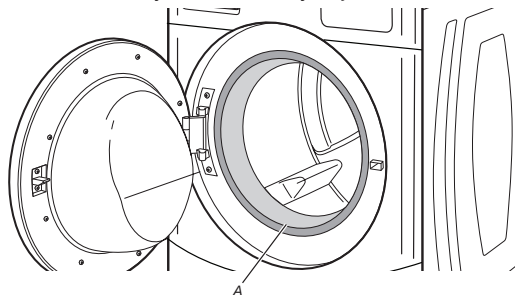
2. Fíjese si hay huellas digitales en el vidrio. Limpie si es necesario.
3. Cierre la puerta y compruebe que queda bien cerrada.

INSTRUCCIONES DE MANTENIMIENTO DE LA LAVADORA/SECADORA APILABLE

Lavadora

Limpieza del sello/fuelle de la puerta

1. Abra la puerta de la lavadora y saque cualquier prenda o elemento que estuviera dentro.
2. Inspeccione la puerta interior de vidrio. Si observa desechos, límpiela con un paño húmedo.
3. Inspeccione el sello/fuelle de color que se encuentra entre la abertura de la puerta y la canasta para detectar si hay áreas manchadas. Empuje el sello/fuelle hacia atrás para inspeccionar todas las áreas debajo del sello/fuelle y controle si hay objetos extraños.



A. Sello/Fuelle

4. Si encuentra áreas manchadas, limpie estas áreas del sello/fuelle:
 - Haga una solución diluida con 3/4 de tazas (177 mL) de blanqueador líquido de cloro y 1 galón (3,8 L) de agua templada del grifo.
 - Limpie el área del sello/fuelle con la solución diluida y un paño húmedo.
 - Deje reposar durante 5 minutos.
 - Limpie el área meticulosamente con un paño seco y deje que el interior de la lavadora se seque al aire con la puerta abierta.

IMPORTANTE:

- Use guantes de goma cuando limpie por periodos prolongados.
- Consulte las instrucciones del fabricante sobre el uso adecuado del blanqueador.

Instrucciones de mantenimiento:

Esta lavadora tiene un ciclo especial que utiliza mayores volúmenes de agua junto con blanqueador líquido con cloro para limpiar meticulosamente el interior de su lavadora.

NOTAS:

- Lea estas instrucciones completamente antes de comenzar el proceso de limpieza.
- Si es necesario, el ciclo de limpieza puede interrumpirse presionando dos veces el botón inferior derecho (COLD [FRÍA]). Sin embargo, el ciclo no se detendrá inmediatamente. La lavadora continuará con varios pasos de enjuague y desagote para asegurar que se haya enjuagado todo el blanqueador de la lavadora.

Para limpiar el interior de la lavadora:

1. Abra la puerta de la lavadora y saque cualquier prenda o elemento que estuviera dentro.
2. **Use blanqueador líquido con cloro:**
Abra el cajón del dosificador y agregue inmediatamente 2/3 de taza (160 mL) de blanqueador líquido con cloro en el compartimiento del blanqueador.
NOTA: No agregue nada de detergente. Si usa más de 2/3 de taza (160 mL) de blanqueador, el producto se dañará con el tiempo.
3. Cierre la puerta de la lavadora y el cajón del dosificador.
4. Para poner a funcionar el ciclo de Washer Cleanout (Limpiar la lavadora), primero ingrese al "Modo de servicio". A continuación, mantenga pulsado el botón inferior derecho (COLD [FRÍA]) durante 2 segundos. Con toda la pantalla parpadeando, presione el botón central derecho (COLORS/DELICATES [ROPA DE COLOR/ROPA DELICADA]).
Para salir del modo de servicio y activar el ciclo de limpieza de la lavadora, presione el botón central derecho (COLORS/DELICATES [ROPA DE COLOR/ROPA DELICADA]) y gire la llave.
NOTA: La puerta de desbloqueará, la canasta dará 1/2 giro y luego la puerta de desbloqueará, se bloqueará nuevamente y el ciclo de Washer Cleanout (Limpiar la lavadora) continuará. La lavadora no se llenará, pero la canasta rotará mientras la lavadora hace un ciclo corto de detección. Esto tardará aproximadamente 3 minutos.
5. El ciclo determinará si hay ropa u otros artículos en la lavadora.
 - Si no se detectan artículos en la lavadora, se procederá al paso 7.
 - Si se detecta algún artículo en la lavadora, la pantalla mostrará "F-34". Luego la puerta se desbloqueará.
Entre en el modo de servicio y mantenga pulsado el botón inferior derecho (COLD [FRÍA]) para cancelar el código de falla. Después repita los pasos 1, 3 y 4 para comenzar nuevamente el ciclo.
6. Una vez que haya comenzado el ciclo, deje que finalice.
7. Una vez que haya finalizado el ciclo, deje la puerta levemente abierta para que haya una mejor ventilación y secado del interior de la lavadora.

Siempre haga lo siguiente para mantener la frescura de la lavadora:

- Use solamente un detergente de alto rendimiento (HE).
- Deje la puerta levemente abierta después de cada ciclo para permitir una mejor ventilación y secado del interior de la lavadora.
- Limpie la lavadora mensualmente (véase “Para limpiar el interior de la lavadora”), utilizando 2/3 de taza (160 mL) de lejía líquida.
- Si el procedimiento no mejora suficientemente la frescura de la lavadora, sírvase evaluar su instalación y las condiciones de uso para detectar otras causas.

Limpieza externa

Use un paño suave y húmedo o una esponja para limpiar cualquier derrame. De vez en cuando, limpie el exterior de su lavadora para que se vea como nueva. Use jabón suave y agua. No use productos abrasivos.

Limpieza del cajón del dosificador

El cajón del dosificador es desmontable para facilitar la limpieza.

1. Inserte un destornillador de hoja plana en el dispositivo para desenganchar el seguro y desbloquee el cajón del dosificador para quitarlo. Quite el cajón del dosificador.
2. Quite los insertos (el sifón de los compartimientos del suavizante y del blanqueador).
3. Lave las piezas con agua de grifo.
NOTA: No lave los componentes en la lavavajillas.
4. Vuelva a colocar los insertos y coloque nuevamente el depósito en la gaveta.

Mangueras de entrada de agua

Reemplace las mangueras de entrada después de 5 años de uso para reducir el riesgo de que fallen. Inspeccione periódicamente y cambie las mangueras de entrada si encuentra protuberancias, torceduras, cortes, desgaste o fugas de agua.

Cuando reemplace las mangueras de entrada, anote la fecha de reposición.

Secadora

Instrucciones de mantenimiento:

- Limpie el filtro de pelusa antes y después de cada ciclo.
- Eliminación de pelusa acumulada:

En el interior de la carcasa de la secadora:

Según el uso de la secadora, debe eliminarse la pelusa cada 2 años o con más frecuencia. La limpieza deberá efectuarla una persona competente.

Desde el ducto de escape:

Según el uso de la secadora, debe eliminarse la pelusa cada 2 años o con más frecuencia.

- Mantenga el área alrededor de la secadora limpia y libre de materiales combustibles, gasolina y otros vapores y líquidos inflamables.
- Mantenga la zona donde está la secadora despejada y libre de artículos que pudieran obstruir el flujo de aire para la combustión y la ventilación.

Si la secadora no funciona, revise lo siguiente:

- Que el suministro eléctrico esté conectado.
- El disyuntor no se disparó o el fusible de la casa no está quemado.
- Que la puerta esté cerrada. Escuche atentamente para oír cuando se active el interruptor de la puerta.
- Que se haya presionado con firmeza el botón de selección de ciclos.
- Para las secadoras a gas, compruebe que las válvulas de cierre del suministro de gas están en posición abierta.

SI NECESITA ASISTENCIA

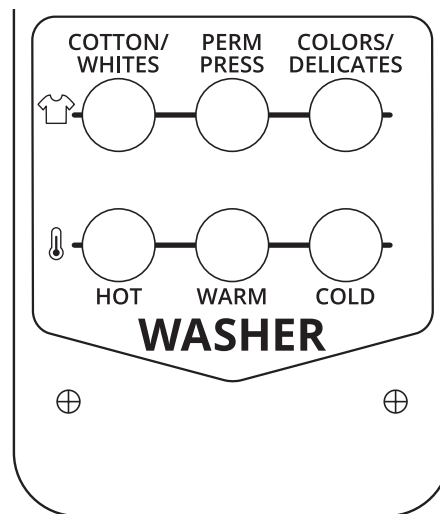
Contacte a su distribuidor autorizado de productos de lavandería comercial Whirlpool®. Para localizar a su distribuidor autorizado de lavanderías comerciales Whirlpool®, o para consultas en la web, visite www.whirlpoolcommerciallaundry.com.

Si no puede localizar al distribuidor, el Centro de apoyo para lavandería comercial contestará cualquier pregunta que usted tenga acerca del funcionamiento y mantenimiento de la lavadora que no esté cubierta en las Instrucciones de instalación.

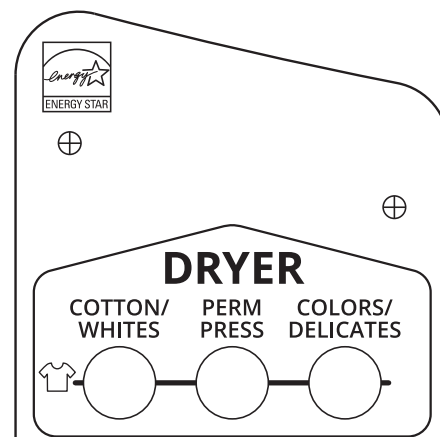
Simplemente llame al **1-800 NO BELTS (1-800-662-3587)** — el llamado es gratuito.

Cuando llame, necesitará tener a mano el número del modelo y de la serie de la lavadora/secadora. Ambos números se encuentran en la placa de clasificación de serie que está ubicada en la cavidad de la puerta de la secadora.

INSTRUCCIONES DE PROGRAMACIÓN DEL CONTROL ELECTRÓNICO



Control de la lavadora



Control de la secadora

Información general sobre la lavadora/secadora

NOTA: Después de haber instalado y enchufado la lavadora/secadora, se mostrará “0 MINUTES” (0 MINUTOS) en las partes de la pantalla para la lavadora y la secadora. Después de abrir y cerrar las puertas de la lavadora y la secadora, la pantalla mostrará el precio de la lavadora y la secadora. En las lavadoras/secadoras que se hayan programado para dar ciclos gratuitos, destellará “SELECT CYCLE” (SELECCIONAR CICLO) en las secciones de la pantalla.

1. **Con una tragamonedas instalado:** Inserte monedas hasta que destelle “SELECT CYCLE” (SELECCIONAR CICLO) en la parte de la pantalla de la lavadora o secadora que se va a poner a funcionar.

Alternativamente, se pueden utilizar sistemas de tarjetas de pago automático de Generación 1 o 2; sin embargo, cuando se utiliza el sistema de débito de Generación 2, los controles se ajustarán automáticamente al modo de débito mejorado (J. Ed). En el modo Enhanced Debit (Débito mejorado), el saldo de la tarjeta se mostrará en la pantalla al insertarla en el lector.

2. La puerta de la lavadora/secadora que se va a usar debe cerrarse antes de hacer la selección de ciclo.
3. Presione el botón del ajuste de tela para el ciclo deseado de la lavadora/secadora. Para los ciclos de la lavadora, seleccione también la temperatura de lavado deseada. Después de que ha comenzado el ciclo, el tiempo aparecerá en la pantalla e iniciará la cuenta regresiva.
4. Si se interrumpe un ciclo al abrir la puerta o debido a un corte de corriente, destellará en la pantalla “RESELECT CYCLE” (VUELVA A SELECCIONAR EL CICLO). Para reiniciar la lavadora/secadora, cierre la puerta y vuelva a seleccionar el ciclo deseado.

NOTA: Cuando la secadora se haya programado para otorgar ciclos gratuitos, un ciclo continuo de la secadora se anulará si se abre la puerta.

Mensaje ‘out of order’ (fuera de servicio) en la pantalla, seguido de un código de falla o diagnóstico – Esta condición indica que se ha detectado un error. Consulte los códigos de falla para obtener información de diagnóstico.

“0 MINUTES” (0 MINUTOS) SE MUESTRA EN LA PANTALLA – Esto indica que el ciclo anterior se ha completado o que se ha realizado un reinicio de la máquina. Al abrir la puerta se restablece la visualización del precio de venta o del estado disponible.

ARRANQUE EN FRÍO (uso inicial) – La lavadora/secadora viene programada de fábrica de la siguiente manera:

Lavadora	Periodo de lavado de 11 minutos \$2,00 de precio de lavado 3 enjuagues (no está activado el enjuague adicional)
Secadora	5 minutos de secado por moneda o pulso de débito Precio de secado de \$1,50 (ciclo fijo con tiempo adicional)

INICIO CON AGUA CALIENTE (después de un corte de corriente) – Unos segundos después de que se restablezca la electricidad, si un ciclo se encontraba funcionando cuando ocurrió el corte de corriente, destellará “RESELECT CYCLE” (VUELVA A SELECCIONAR EL CICLO), lo cual indica que se necesita presionar un botón para que la lavadora o la secadora vuelva a funcionar.

BLOQUEO DE LA PUERTA DE LA LAVADORA – Antes de comenzar un ciclo, hay una rutina de bloqueo/desbloqueo/rebloqueo de la puerta, y luego comienza el ciclo. La puerta permanecerá con seguro hasta el fin de un ciclo o aproximadamente por 2 minutos después de un corte de corriente.

PRECIOS – Después de que se ha abierto la puerta siguiendo la finalización de un ciclo, la pantalla indica el precio del ciclo (a menos que se haya programado para un funcionamiento gratuito). A medida que se introduzcan monedas o lleguen entradas de débito, la pantalla cambiará para reconocer las entradas de monedas o débito válidas.

Hay cuatro (4) tipos de precios de la secadora:

Precio fijo “Venta”

Una secadora programada para un funcionamiento de “Ciclo fijo” solamente puede aceptar tiempo adicional que se haya acumulado en incrementos iguales a la duración de un ciclo de secado completo. Puede comprarse un máximo de 75 minutos y no se da crédito adicional por monedas insertadas una vez figura 75 minutos en pantalla.

Precio del acumulador

Si el precio se ha fijado a una moneda 1, el precio del acumulador entra en efecto. El tiempo del ciclo puede comprarse con una moneda cada vez hasta el tiempo máximo de 75 minutos.

Ciclo fijo con precio por tiempo adicional

Una secadora programada con la función de “Top Off” (Tiempo adicional) permitirá que se agregue tiempo a un ciclo de secado en funcionamiento, en incrementos iguales al número de minutos de secado por moneda o débito ingresado, hasta 75 minutos, independientemente del monto necesario para poner en marcha la secadora. No se da crédito por monedas o ingresos de tarjeta de pago automático cuando el control muestre 75 minutos en pantalla.

En Modo Mejorado de Tarjeta de Débito, el precio por tiempo adicional se puede fijar de manera independiente (consulte VALOR DE MONEDA 2), y el tiempo adicional se calcula según la siguiente ecuación:

$$\text{cantidad de tiempo adicional} = \frac{\text{Precio por tiempo adicional}}{\text{Precio de ciclo completo}} \times \text{duración de ciclo completo}$$

Los incrementos con centavos no están permitidos en las compras de tiempo adicional.

Ciclos gratuitos

Esta opción se fija programando el precio del ciclo en cero. Cuando esto ocurre, aparecerá SELECT CYCLE (SELECCIONAR CICLO) en lugar del precio del ciclo. Todo ciclo que haya comenzado como un ciclo gratuito finalizará automáticamente cuando se abra la puerta.

Listo para tarjeta de pago automático

Esta lavadora/secadora ya está lista para tarjetas de pago automático. Aceptará una variedad de sistemas de tarjeta de pago automático, pero no viene con un lector de tarjetas de pago automático. Consulte al fabricante de lectores de tarjeta de pago automático para informarse sobre la programación adecuada en lavadoras/secadoras. En los modelos convertidos al sistema de tarjetas de pago automático de Generación 1, los pulsos de débito representan al equivalente de una moneda (Moneda 1).

Procedimientos de programación del control

IMPORTANTE: Lea todas las instrucciones antes de usarlo.

Inserte la llave del interruptor de servicio y gírela en sentido antihorario.

Una vez que se haya instalado el lector de tarjeta de pago automático de Generación 2 (según las instrucciones del fabricante de lectores), los modos de programación solo se pueden cambiar insertando una tarjeta de programación (provista por el fabricante de lectores) en la ranura para tarjeta. Si se inserta la llave del interruptor de servicio y se gira, solo se accederá al modo de servicio.

La lavadora/secadora está ahora en modo de programación. Los botones inferiores de ajuste de la temperatura y la parte inferior de la pantalla se utilizan para configurar el control digital de la lavadora. Los tres botones superiores de selección de telas y la sección superior de la pantalla se usan para programar los controles de la secadora.

La pantalla puede incluir cuatro números y/o letras y un punto decimal en ambas secciones de la misma. Estos se usan para indicar los códigos de la programación y los valores de los códigos relacionados, disponibles para el uso de la programación de la lavadora/secadora.

Programación para comenzar a usar

Las lavadoras/secadoras son programadas previamente en la fábrica y no requieren programación adicional. Sin embargo, si desea cambiar los ajustes, siga la guía “Códigos de programación”.

El primer código que se muestra en cada segmento es el ajuste predeterminado de fábrica.

El código de programación se indica con uno o dos caracteres al lado izquierdo. El valor del código de programación se indica con dos o tres caracteres al lado derecho.

Códigos de programación

Código	Explicación
6 06	PRECIO DEL CICLO REGULAR (SECADORA)
6 06	Representa el número de monedas o ingresos de débito necesarios para poner en marcha la secadora; puede ajustarse de 0 a 39 (véase VALOR DE LA MONEDA 1). Para avanzar de 0 a 39, presione el botón superior de la izquierda (COTTON/WHITES [ROPA DE ALGODÓN/ROPA BLANCA]).
6 00	MODELO 9100 SOLO (Venta libre): → Presione el botón inferior medio (WARM [TIBIA]) una vez para avanzar al código siguiente.
6 08	PRECIO DEL CICLO REGULAR (LAVADORA)
6 08	Representa el número de monedas o ingresos de débito necesarios para poner en marcha la lavadora; puede ajustarse de 0 a 39 (véase VALOR DE LA MONEDA 1). Para aumentar, presione el botón medio de la izquierda (COTTON/WHITES [ROPA DE ALGODÓN/ROPA BLANCA]); para disminuir, presione el botón inferior de la izquierda (HOT [CALIENTE]).
6 00	MODELO 9100 SOLO (Venta libre): → Presione el botón inferior medio (WARM [TIBIA]) una vez para avanzar al código siguiente.
7 05	TIEMPO DE SECADO NORMAL (SECADORA)
7 05	Representa el número de minutos por moneda o entradas de débito. Ajuste de fábrica de 5 minutos por cada moneda. Ejemplo: 6 monedas x 5 minutos = 30 minutos. Al presionar el botón superior izquierdo (COTTON/WHITES [ROPA DE ALGODÓN/ROPA BLANCA]), el valor se ajusta de 1 a 75 minutos.
7 45	Para el funcionamiento OPL (funcionamiento sin costo), el valor es el número de minutos de tiempo de secado. El valor predeterminado de fábrica para el modelo 9100 es de 45 minutos. → Presione el botón inferior medio (WARM [TIBIA]) una vez para avanzar al código siguiente.
7 11	DURACIÓN DEL LAVADO (LAVADORA)
7 11	Este es el número de minutos para el LAVADO. La lavadora viene ajustada previamente de fábrica con 11 minutos; se puede regular de 9 a 17 minutos. Para aumentar, presione el botón medio de la izquierda (COTTON/WHITES [ROPA DE ALGODÓN/ROPA BLANCA]); para disminuir, presione el botón inferior de la izquierda (HOT [CALIENTE]). → Presione el botón inferior medio (WARM [TIBIA]) una vez para avanzar al código siguiente.
8 00	TIPO DE PRECIOS DE SECADORA (SECADORA)
8 00	Ciclo fijo con tiempo adicional. Para ver una descripción detallada, consulte Información general para el usuario sobre la lavadora/secadora.

Código	Explicación
8 FC	Con sistema de pago con tarjeta: Ciclo fijo. Para ver una descripción detallada, consulte Información general para el usuario sobre la lavadora/secadora. Utilice el botón superior derecho (COTTON/WHITES [ROPA DE ALGODÓN/ROPA BLANCA]) para cambiar esta selección. → Presione el botón inferior medio (WARM [TIBIA]) una vez para avanzar al código siguiente.
8 00	OPCIÓN DE ENJUAGUE ADICIONAL (LAVADO) Esta opción está NO SELECCIONADA “00” o SELECCIONADA “Ar”
8 00	No seleccionado “00”
8 Ar	Seleccionado “Ar”. Presione el botón inferior de la derecha (COLD [FRÍA]) una vez para cambiar esta selección. → Presione el botón inferior medio (WARM [TIBIA]) una vez para avanzar al código siguiente.
9 00	OPCIÓN DEL CONTADOR DE CICLOS Esta opción está NO SELECCIONADA “00” o SELECCIONADA “0C”
9 00	No seleccionado “00”
9 0C	Se seleccionó “0C” y no se puede cancelar la selección. Presione el botón inferior de la derecha (COLD [FRÍA]) 3 veces consecutivas para seleccionar “0C.” Una vez que se selecciona “0C”, no se puede cancelar la selección. → Presione el botón inferior medio (WARM [TIBIA]) una vez para avanzar al código siguiente.
Si se selecciona el contador de ciclos (9 0C), lo siguiente es correcto:	
1 00	Ciclos en CIENTOS 1 <u>02</u> = 200
2 00	Ciclos en UNIDADES 2 <u>25</u> = 225
CICLOS TOTALES = 225	
Esta opción es “VIEW ONLY” (SOLO LECTURA) y no se puede borrar. → Presione el botón inferior medio (WARM [TIBIA]) una vez para avanzar al código siguiente.	
1. 00	OPCIÓN DEL CONTADOR DE DINERO Esta opción está NO SELECCIONADA “00” o SELECCIONADA “0C”
1. 00	No seleccionado “00”
1. 0C	Seleccionado “0C” Presione el botón inferior de la derecha (COLD [FRÍA]) 3 veces consecutivas para seleccionar “0C” y 3 veces consecutivas para cancelar la selección (no seleccionada “00”). El contador se reinicia al pasar de “OFF” (APAGADO) a “ON” (ENCENDIDO).
1. 00	Se seleccionó “00” y no se puede cancelar la selección. Para seleccionar “00” y que no se pueda cancelar la selección, primero seleccione “0C,” y después, en menos de 2 segundos, presione el botón inferior de la derecha (COLD [FRÍA]) dos veces, el botón inferior de la izquierda (HOT [CALIENTE]) una vez y salga del modo de programación. → Presione el botón inferior medio (WARM [TIBIA]) una vez para avanzar al código siguiente.

Código	Explicación
Si se selecciona el contador de dinero (1.0C o 1.C0), lo siguiente es correcto:	
3 00	Dólares en CIENTOS 3 01 = 100,00 \$
4 00	Dólares en UNIDADES 4 68 = \$68,00
5 00	Número de CENTAVOS 5 75 = \$00,75
TOTAL = \$168,75	
2. 00	OPCIÓN DE PRECIOS ESPECIALES Esta opción está NO SELECCIONADA "00" o SELECCIONADA "SP"
2. 00	No seleccionada "00," y el código disponible siguiente será A.00.
2. SP	Seleccionada "SP" (Encendido). Presione el botón inferior de la derecha (COLD [FRÍA]) una vez para cambiar esta selección.
Si se selecciona la OPCIÓN DE PRECIOS ESPECIALES, tendrá acceso a los códigos "3.XX" a "9.XX".	
→ Presione el botón inferior medio (WARM [TIBIA]) una vez para avanzar al código siguiente.	
OPCIONES 3.XX A 9.XX PARA SU USO SI SE SELECCIONAN PRECIOS ESPECIALES:	
3. 06	PRECIO ESPECIAL DEL CICLO (SECADORA)
3. 06	Representa el número de monedas o ingresos de débito para poner en marcha la secadora; puede ajustarse de 0 a 39 (véase VALOR DE LA MONEDA 1). Para avanzar de 0 a 39, presione el botón superior de la izquierda (COTTON/WHITES [ROPA DE ALGODÓN/ROPA BLANCA]).
3. 00	SOLO MODELOS PR (Venta libre):
→ Presione el botón inferior medio (WARM [TIBIA]) una vez para avanzar al código siguiente.	
3. 08	PRECIO DEL CICLO ESPECIAL (LAVADORA)
3. 08	Representa el número de monedas o ingresos de débito para poner en marcha la lavadora; puede ajustarse de 0 a 39 (véase VALOR DE LA MONEDA 1). Para aumentar, presione el botón medio de la izquierda (COTTON/WHITES [ROPA DE ALGODÓN/ROPA BLANCA]); para disminuir, presione el botón inferior de la izquierda (HOT [CALIENTE]).
3. 00	SOLO MODELOS PR (Venta libre):
→ Presione el botón inferior medio (WARM [TIBIA]) una vez para avanzar al código siguiente.	
4. 05	TIEMPO DE SECADO ESPECIAL (SECADORA)
4. 05	Representa el número de minutos por moneda o entradas de débito. Ajuste de fábrica de 5 minutos por cada moneda. Ejemplo: 6 monedas x 5 minutos = 30 minutos. Presionando el botón superior izquierdo (COTTON/WHITES [ROPA DE ALGODÓN/ROPA BLANCA]), se puede ajustar el valor de 1-75 minutos.
4. 45	Para el funcionamiento OPL (funcionamiento sin costo), el valor es el número de minutos de tiempo de secado. Modelo PR por defecto de fábrica de 45 minutos.
→ Presione el botón inferior medio (WARM [TIBIA]) una vez para avanzar al código siguiente.	

Código	Explicación																								
5. 00	TIME-OF-DAY CLOCK (RELOJ CON LA HORA DEL DÍA), MINUTOS																								
5. 00	Este es el ajuste de los minutos del RELOJ CON LA HORA DEL DÍA; para seleccionar entre 0 y 59 minutos, presione el botón medio de la izquierda (COTTON/WHITES [ROPA DE ALGODÓN/ROPA BLANCA]) o el inferior de la izquierda (HOT [CALIENTE]).																								
→ Presione el botón inferior medio (WARM [TIBIA]) una vez para avanzar al código siguiente.																									
6. 00	RELOJ CON LA HORA DEL DÍA, HORAS NOTA: Utiliza el reloj de formato militar o de 24 horas.																								
6. 00	Este es el ajuste de las horas del RELOJ CON LA HORA DEL DÍA; para seleccionar entre 0 y 23 horas, presione el botón medio de la izquierda (COTTON/WHITES [ROPA DE ALGODÓN/ROPA BLANCA]) o el inferior de la izquierda (HOT [CALIENTE]).																								
→ Presione el botón inferior medio (WARM [TIBIA]) una vez para avanzar al código siguiente.																									
7. 00	LA HORA EN QUE EMPIEZA EL PRECIO ESPECIAL NOTA: Utiliza el reloj de formato militar o de 24 horas.																								
7. 00	Esta es la HORA DE INICIO; de 0 a 23 horas. Para seleccionar START HOUR (HORA DE INICIO), presione el botón medio de la izquierda (COTTON/WHITES [ROPA DE ALGODÓN/ROPA BLANCA]) o el inferior de la izquierda (HOT [CALIENTE]).																								
→ Presione el botón inferior medio (WARM [TIBIA]) una vez para avanzar al código siguiente.																									
8. 00	LA HORA EN QUE TERMINA EL PRECIO ESPECIAL NOTA: Utiliza el reloj de formato militar o de 24 horas.																								
8. 00	Esta es la HORA DE FINALIZACIÓN; de 0 a 23 horas. Para seleccionar STOP HOUR (HORA DE INICIO), presione el botón medio de la izquierda (COTTON/WHITES [ROPA DE ALGODÓN/ROPA BLANCA]) o el inferior de la izquierda (HOT [CALIENTE]).																								
→ Presione el botón inferior medio (WARM [TIBIA]) una vez para avanzar al código siguiente.																									
9. 10	DÍA DE PRECIO ESPECIAL*																								
9. 10	Esto representa el día de la semana y si se ha seleccionado o no un precio especial para ese día. Un número seguido de "0" indica que no se ha hecho ninguna selección para ese día en particular (9.10). Un número seguido por la letra "S" indica que se ha hecho una selección para ese día (9.1S). Para cambiar el valor de "0" y "S", use el botón inferior de la derecha (COLD [FRÍA]). Los días de la semana (1-7) se seleccionan presionando el botón central izquierdo (COTTON/WHITES [ROPA DE ALGODÓN/ROPA BLANCA]) o el botón inferior izquierdo (HOT [CALIENTE]). Cuando salga del código de programación "9", la pantalla debe mostrar el día de hoy:																								
	<table border="1" style="width: 100%; border-collapse: collapse;"> <thead> <tr> <th>PANTALLA</th> <th>DÍA DE LA SEMANA</th> <th>CÓDIGO (seleccionado)</th> </tr> </thead> <tbody> <tr> <td>10</td> <td>Día 1 = Domingo</td> <td>1S</td> </tr> <tr> <td>20</td> <td>Día 2 = Lunes</td> <td>2S</td> </tr> <tr> <td>30</td> <td>Día 3 = Martes</td> <td>3S</td> </tr> <tr> <td>40</td> <td>Día 4 = Miércoles</td> <td>4S</td> </tr> <tr> <td>50</td> <td>Día 5 = Jueves</td> <td>5S</td> </tr> <tr> <td>60</td> <td>Día 6 = Viernes</td> <td>6S</td> </tr> <tr> <td>70</td> <td>Día 7 = Sábado</td> <td>7S</td> </tr> </tbody> </table>	PANTALLA	DÍA DE LA SEMANA	CÓDIGO (seleccionado)	10	Día 1 = Domingo	1S	20	Día 2 = Lunes	2S	30	Día 3 = Martes	3S	40	Día 4 = Miércoles	4S	50	Día 5 = Jueves	5S	60	Día 6 = Viernes	6S	70	Día 7 = Sábado	7S
PANTALLA	DÍA DE LA SEMANA	CÓDIGO (seleccionado)																							
10	Día 1 = Domingo	1S																							
20	Día 2 = Lunes	2S																							
30	Día 3 = Martes	3S																							
40	Día 4 = Miércoles	4S																							
50	Día 5 = Jueves	5S																							
60	Día 6 = Viernes	6S																							
70	Día 7 = Sábado	7S																							
→ Presione el botón inferior medio (WARM [TIBIA]) una vez para avanzar al código siguiente.																									

Código	Explicación
A. 00	OPCIÓN DE VISUALIZACIÓN DEL DEPÓSITO Esta opción está NO SELECCIONADA "00" o SELECCIONADA "SC"
A. 00	No seleccionado "00"
A. SC	Seleccionada "SC" (Encendido). Presione el botón inferior de la derecha (COLD [FRÍA]) una vez para hacer esta selección. Cuando esté seleccionada, se podrá ver el recuento del dinero o el ciclo (si las opciones de contador están seleccionadas) al retirar la caja de las monedas.
→	Presione el botón inferior medio (WARM [TIBIA]) una vez para avanzar al código siguiente.
b. 05	VALOR DE LA MONEDA 1
b. 05	Esto representa el valor de la moneda 1 en el número de incrementos de \$0,05 del mayor valor de la moneda. Ejemplo: 5 x \$0,05 = \$0,25. Existe la opción de 1-199 en incrementos de \$0,05 presionando el botón central izquierdo (COTTON/ WHITES [ROPA DE ALGODÓN/ROPA BLANCA]) para aumentar el valor o el botón inferior izquierdo (HOT [CALIENTE]) para disminuirlo.
→	Presione el botón inferior medio (WARM [TIBIA]) una vez para avanzar al código siguiente.
C. 20	VALOR DE MONEDA 2/ VALOR DE SECADORA CON TIEMPO ADICIONAL
C. 20	Esto representa el valor de la moneda 2 en el número de incrementos de \$0,05 del mayor valor de la moneda. Ejemplo: 20 x \$0,05 = \$1,00. Existe la opción de 1-199 en incrementos de \$0,05 presionando el botón central izquierdo (COTTON/ WHITES [ROPA DE ALGODÓN/ROPA BLANCA]) para aumentar el valor o el botón inferior izquierdo (HOT [CALIENTE]) para disminuirlo.
C. 05	SOLO MODELO PR: Para los modelos que usan débito mejorado, este campo representa el valor del tiempo adicional en incrementos de \$0,05 para la secadora, o de \$0,25. El valor de fábrica es C.05; representa 5 x \$0,05, o \$0,25.
→	Presione el botón inferior medio (WARM [TIBIA]) una vez para avanzar al código siguiente.
E. 00	OPCIÓN DE AGREGAR MONEDAS Esta opción está NO SELECCIONADA "00" o SELECCIONADA "AC" Esta opción hace que la pantalla del cliente muestre el número de monedas o ingresos de débito que introducir, en lugar del importe en dólares y centavos.
E. 00	No seleccionado "00"
E. AC	Seleccionada "AC" (Encendido). Presione el botón inferior de la derecha (COLD [FRÍA]) tres veces consecutivas para cambiar esta selección.
→	Presione el botón inferior medio (WARM [TIBIA]) una vez para avanzar al código siguiente.

Código	Explicación
F. 00	OPCIÓN DE PRECIO MEJORADO
F. 00	No seleccionado "00"
F. SU	Precio de Ciclo superior activado. Esta opción permite que los clientes mejoren los ciclos si depositan más dinero. Los códigos de programación "H." y "h." solo se mostrarán cuando esta opción esté activada. Presione el botón inferior de la derecha (COLD [FRÍA]) para hacer esta selección.
→	Presione el botón inferior medio (WARM [TIBIA]) una vez para avanzar al código siguiente.
H. 01	PRECIO DE ACTUALIZACIÓN DEL SUPER CYCLE (Se omite a menos que el precio del Ciclo superior esté activado)
H. 01	Representa el número de monedas o ingresos de débito necesarios para cambiar de un ciclo básico a uno superior. Para avanzar de 0 a 39, presione el botón inferior de la izquierda (HOT [CALIENTE]).
→	Presione el botón inferior medio (WARM [TIBIA]) una vez para avanzar al código siguiente.
h. 01	TIPO DE SUPER CYCLE (Se omite a menos que el precio del Ciclo superior esté activado.)
h. 01	Esto representa la opción para mejorar el Super Cycle (Ciclo superior). Presione el botón inferior de la izquierda (HOT [CALIENTE]) para avanzar por las opciones de mejora de 1 a 3 como sigue: 01 - Lavado mejorado, 3 minutos adicionales de rotación de lavado además del tiempo de lavado programado. 02 - Enjuague extra para todos los ciclos. 03 - Tanto 01 como 02.
→	Presione el botón inferior medio (WARM [TIBIA]) una vez para avanzar al código siguiente.
J. Cd	MODO DE PAGO (OPCIÓN DE MONEDAS/DÉBITO)
J. Cd	Se han seleccionado tanto moneda como el pago con tarjeta de pago automático. Presione el botón inferior de la derecha (COLD [FRÍA]) tres veces consecutivas para cambiar esta selección.
J. C_	Pago con monedas activado, pago con tarjeta de pago automático desactivado. Presione el botón inferior de la derecha (COLD [FRÍA]) tres veces consecutivas para cambiar esta selección.
J. _d	Con sistema de pago con tarjeta: Tarjeta de débito seleccionada, pago con moneda desactivado. Presione el botón inferior de la derecha (COLD [FRÍA]) tres veces consecutivas para cambiar esta selección.
J. Ed	El pago mejorado con tarjeta de pago automático se autoselecciona cuando un lector de tarjetas de segunda generación se instala en la lavadora/ secadora. La opción Ed (Débito mejorado) no se puede seleccionar ni cancelar manualmente.
→	Presione el botón inferior medio (WARM [TIBIA]) una vez para avanzar al código siguiente.

Código	Explicación
L. 00	OPCIÓN DE SUPRIMIR EL PRECIO Esta opción hace que la pantalla del cliente muestre "ADD" (AGREGAR) o "AVAILABLE" (DISPONIBLE), en lugar del importe de dinero que hay que agregar (se usa principalmente en las instalaciones con débito).
L. 00	No seleccionado "00"
L. PS	Seleccionada "PS". Presione el botón inferior de la derecha (COLD [FRÍA]) una vez para cambiar esta selección. → Presione el botón inferior medio (WARM [TIBIA]) una vez para avanzar al código siguiente.
n. CE	OPCIÓN PARA BORRAR LA CANTIDAD EN EL DEPÓSITO Cuando se selecciona, se borrará el dinero retenido en el depósito durante más de 30 minutos sin agregar más dinero ni actividad del ciclo.
n. 00	No seleccionado "00"
n. CE	Seleccionada "CE". Presione el botón inferior de la derecha (COLD [FRÍA]) una vez para cambiar esta selección. → Presione el botón inferior medio (WARM [TIBIA]) una vez para avanzar al código siguiente.
U. 00	COMPENSACIÓN DE INCREMENTO EN CENTAVOS (SECADORA)
U. 00	Esto representa la compensación del precio en incremento en centavos que se usa en los modelos PR de la Generación 2 (Pago con tarjeta de pago automático mejorado). Para elegir de 0 a 4 centavos, presione el botón superior de la izquierda de (COTTON/WHITES [ROPA DE ALGODÓN/ROPA BLANCA]). → Presione el botón inferior medio (WARM [TIBIA]) una vez para avanzar al código siguiente.
U. 00	COMPENSACIÓN DEL INCREMENTO DE CENTAVOS (ARANDELA)

Código	Explicación
U. 00	Esto representa la compensación del precio en incremento en centavos que se usa en los modelos PR de la Generación 2 (Pago con tarjeta de pago automático mejorado). Para elegir entre 0 y 4 centavos, presione el botón medio de la izquierda (COTTON/WHITES [ROPA DE ALGODÓN/ROPA BLANCA]) si quiere aumentar el valor; para disminuirlo, presione el botón inferior de la izquierda (HOT [CALIENTE]). → Presione el botón inferior medio (WARM [TIBIA]) una vez para avanzar al código siguiente.
A1. 00	LONGITUD DE PRELAVADO (LAVADORA)
A1. 00	Este es el número de minutos para el PREWASH (PRELAVADO). Elija 00 para desactivar el prelavado, o presione el botón inferior de la izquierda (HOT [CALIENTE]) para seleccionar entre 2 y 7 minutos. → Presione el botón inferior medio (WARM [TIBIA]) una vez para avanzar al código siguiente.

FIN DE LOS PROCEDIMIENTOS DE PROGRAMACIÓN.

SALIDA DEL MODO DE PROGRAMACIÓN:

- Gire la llave del interruptor de servicio hacia la derecha y retírelo o retire la tarjeta de programación manual.