



## MODERN COUNTRY CHIC

The Chloe by Faber features a painted black LED light panel which hides the grease filters behind it and reduces noise. With an advanced Perimetric filter system, electronic controls, and an optional remote control, the Chloe packs a lot of features while not taking up a lot of room at 14" deep.

## AVAILABLE MODELS

Model #	FUN #	Size / Color	Motor Class (CFM)
<b>CHLO28BK600</b>	321.0516.385	28" Painted Black	600 CFM
<b>CHLO36BK600</b>	321.0556.734	36" Painted Black	600 CFM



THE CHLOE COMBINES **INNOVATIVE** TECHNOLOGY WITH A RUSTIC STYLE. THE FABER EXTRACTION TECHNOLOGY, PERIMETER ASPIRATION, MEANS THAT CHLOE IS A **RELIABLE** ADDITION TO THE KITCHEN. WITH THE ABILITY TO BE DUCTED OR USED IN RECIRCULATING MODE, THE CHLOE WOULD MAKE A STUNNING ADDITION TO ANY KITCHEN DESIGN.

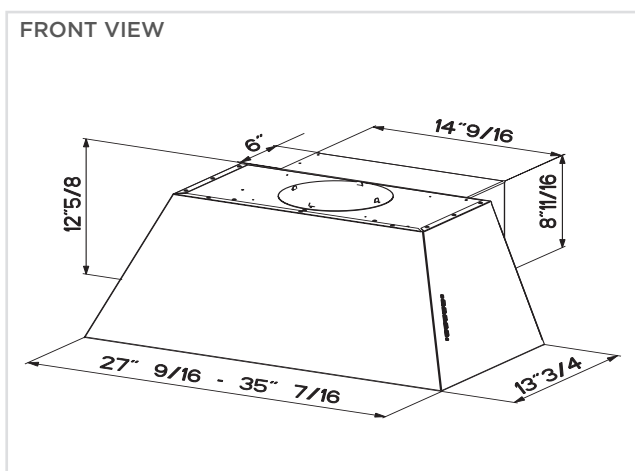




MODEL	FUN #	SIZE/MATERIAL	MOTOR CLASS
CHLO28BK600	321.0516.385	28" Painted Black	600 CFM
CHLO36BK600	321.0556.734	36" Painted Black	600 CFM

FEATURES		PERFORMANCE		ACCESSORIES
<b>Dimensions</b>		<b>Motor</b>		<b>FILTER1</b> Charcoal Filter Kit
Ceiling Height	N/A	No. of Fan Speeds	4	<b>FILTER1LL2</b> Long Lasting Charcoal Filter Kit
Canopy Depth-Height	13 ¾" D x 12 ⅝" H	Motor Class	600	<b>CHIMCHBK</b> Black Chimney Kit (14 ⅝" x 25 ⅝"H)
<b>Ducting</b>		Perimeter Aspiration	Yes	<b>CFMRED</b> CFM Reducer Kit 300 CFM
Type	Ducted/Ductless With FILTER1/FILTER1LL2	Energy-Efficient Motor	Yes	<b>CFMRED2</b> CFM Reducer Kit 400 CFM
Duct Size	Vari-Duct 6" Top or Rear Vent	<b>Display</b>		<b>REMORIG</b> Wireless Remote Control
<b>Lighting</b>		Controls	LED Digital	<b>MUDAMPER6</b> 6" Make-up Air Kit
Type	LED Light Bar	Intensive Speed	10 Minutes	<b>MUDAMPER8</b> 8" Make-up Air Kit
# of Bulbs	One 3 Watt - 2 level	<b>Other</b>		<b>MUDAMPER10</b> 10" Make-up Air Kit
Light Dimmer	Yes	ADA Compliant	With Remote Control	
<b>Grease Filters</b>		Remote Control	Purchase Separately	
Filter Type	Mesh	Fixed Wiring Box	Yes	
Dishwasher Safe	Yes			
Filter Wash Alarm	Yes			

## DIMENSIONAL DRAWINGS



Rev4 123