

# Café™ 30" Slide-In Front Control Induction and Convection Double-Oven Range

CHS950P4MW2 / CHS950P3MD1 / CHS950P2MS1

# CAFÉ

DISTINCT BY DESIGN™



### ALSO AVAILABLE IN



CHS950P2MS1  
Stainless Steel with  
Brushed Stainless  
handles and knobs



CHS950P3MD1  
Matte Black with  
Brushed Stainless  
handles and knobs



## FEATURES & BENEFITS

Create dinners and desserts at the exact same time – From everyday gourmet meals to large dinner parties, achieve impressive results with two independent ovens with a total capacity of 6.7 cu. ft. for true cooking flexibility, along with the accurate heat circulation of True European Convection with Precise Air in the lower oven

An attractive appearance at all times – Every detail of your kitchen is designed to delight, thanks to a sleek, backlit, glass touch control panel that visually disappears when not in use and wakes up when prompted

The perfect combination of power & precision – Stun guests by showing off your 11" 3,700-watt induction element, which uses chef-preferred induction cooktop technology to deliver precise heat to cookware only. That means you can do everything from boiling a quart of water in 101 seconds to melting butter at exact temperatures with amazing efficiency

Create a look that matches your personal style – Select any combination of premium finishes and hardware options to create a stunning look customized to your taste

Ensure consistent temperatures across a large area – Evenly heat large griddles or enamel cookware across two 8" synchronized elements

## WIFI-ENABLED FEATURES

Built-In WiFi, Powered by SmartHQ™ App – Manage all aspects of your kitchen with the help of the SmartHQ™ App or your voice assistant

Personalized Features + Upgrades – Usher in the latest features by downloading cooking upgrades right to your oven, putting Air Fry and more in your repertoire

No-Preheat Air Fry – Cook healthier, crispier versions of your favorite foods in less time, thanks to an air fryer right in your oven that doesn't require preheating, a basket or a special tray

Gourmet results without any guesswork – Take culinary skills to the next level with Gourmet Guided Cooking, which combines video-guided recipes from chefs with a system that automatically adjusts the time, temperature and cooking pace for perfect results

Precise control for flawless results – Delight guests with the precision of sous vide cooking or perfectly prepared fondues and delicate sauces using a precision cooking probe that is sold separately

## APPEARANCE

Installation	Flush Appearance Free-standing Cutout
Oven Door Features	Big View Oven Window Easy-Clean Oven Door
Handle	Professional Style Customizable Consumer-Removable
Textured Steel Side Panels	Yes

## FEATURES

Configuration	Double-Oven Range
Cooking System	True European Convection with Precise Air
Cooking Technology	Traditional Upper Convection Lower
Oven Cleaning Type	Self-Clean with Steam Clean Option
Cooktop Burner Type	Induction
Cooktop Surface	Edge-to-Edge Black Patterned Ceramic Glass
Control Location	Front Controls
Control Type	White Backlit Glass Touch
WiFi Enabled Features	No-Preheat Air Fry Remote Control Remote Notifications Scan-to-Cook (Oven) Timers (App) Clock Sync Voice Assistants (Google and Alexa) Gourmet Guided Cooking Sous Vide
Range Control Features	Audible Preheat Signal Auto Oven Shut-Off with Override Auto Recipe Conversion Auto Self-Clean C° or F° Programmable Sabbath Mode Chef Connect Control Lock Capability Delay Bake Option (Time Cook) Delay Clean Option Electronic Clock & Kitchen Timer Fast Preheat Hi/Low Broil Oven "ON" Light Self-Clean Cool Down Time Display Temperature Probe
Oven Cooking Modes	Baked Goods - Lower Oven Convection Bake Convection Roast Frozen Pizza Single-Rack - Lower Oven (No Preheat) Frozen Snacks Single-Rack - Lower Oven (No Preheat) Proof Warming 6-Pass Broil Element (Upper) 8-Pass Broil Element (Lower) Hidden Bake (Both Ovens)
Self-Clean Oven Door Lock	Automatic
Oven Rack Features	2 Self-Clean Heavy-Duty Oven Racks 1 Self-Clean Heavy-Duty Roller Rack 6 Rack Positions
Oven Interior	Black 2 Incandescent
Connected Capabilities	Amazon Alexa The Google Assistant Hestan Cue IFTTT Nest Drop Innit DiGiorno
Element - Left Front	8" 2500W Sync Element
Element - Left Rear	8" 2500W Sync Element
Element - Right Front	11" 3700W Power Boil
Element - Right Rear	6" 1800W
Element - Center	6" 100W Warming Zone
Hot Surface Indicator Lights	1
Heating Element "ON" Indicator Light	5

## CAPACITY

Total Capacity (cubic feet)	6.7 cu ft
Capacity (cubic feet)	2.4 Upper / 4.3 Lower

# Café™ 30" Slide-In Front Control Induction and Convection Double-Oven Range

CHS950P4MW2 / CHS950P3MD1 / CHS950P2MS1

# C A F É

DISTINCT BY DESIGN™

## ACCESSORIES

Trim Kit	Optional JXFILLR1BB
Cooktop Cleaning	Cream Sponge Included
Probe Accessory	Optional JXPROBE1

## WEIGHTS & DIMENSIONS

Depth with Door Open	43-7/8 in
Approximate Shipping Weight	256 lb
Net Weight	236 lb
Height to Top of Rear Vent Trim	37-3/8 in
Overall Height	37-3/8 in
Height to Cooking Surface (in.)	36-1/4 +/- 1/4
Overall Width	29-7/8 in
Cabinet Width	30 in
Overall Depth	29-1/2 in
Depth Without Handle	26-7/8 in
Oven Interior Dimensions (W x H x D) (in.)	24 x 10-1/8 x 19-1/8 - Upper 24 x 15 x 20-5/8 - Lower

## POWER / RATINGS

Amp Rating at 208V	40
Amp Rating at 240V	40
Convection Wattage	2500W
Bake Wattage	2650W Upper / 2650W Lower
Broiler Wattage	3000W Upper / 3600W Lower
KW Rating at 208V	12.6
KW Rating at 240V	15.2

## WARRANTY

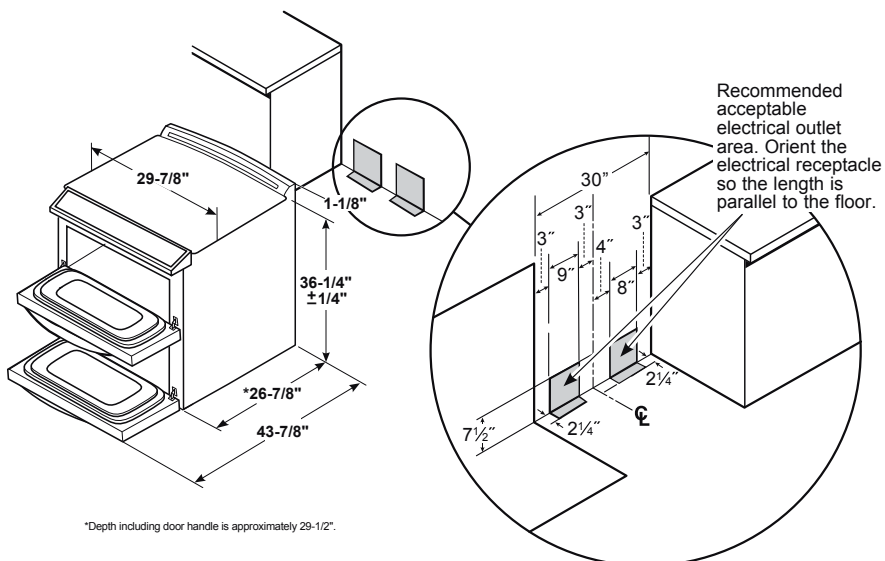
Parts warranty	Limited 1-year entire appliance 90 days post-install on cooktop glass
Labor warranty	Limited 1-year entire appliance
Warranty notes	See written warranty for full details

## DIMENSIONS

**Receptacle Locations:** Locally approved flexible service cord or conduit must be used because terminals are not accessible after range installation. See shaded area in drawing for location of electrical outlet box. Recommended outlet locations allow range to be installed directly against rear wall.

**Note:** This appliance has been approved for 0" spacing to adjacent surfaces above the cooktop. However, a 6" minimum spacing to surfaces less than 15" above the cooktop and adjacent cabinet is recommended to reduce exposure to steam, grease splatter and heat.

**Installation Information:** Before installing, consult installation instructions for current dimensional data and additional requirements.

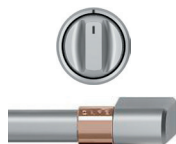


## ADDITIONAL ACCESSORIES



CXFCHHKPMBZ  
Brushed Bronze  
2 handles  
6 knobs

(standard on Matte White)



CXFCHHKPMSS  
Brushed Stainless  
2 handles  
6 knobs

(standard on Matte Black)



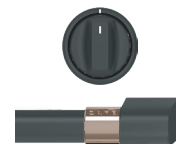
CXFCHHKPMBT  
Brushed Black  
2 handles  
6 knobs



CXFCHHKPMCU  
Brushed Copper  
2 handles  
6 knobs



CXFCHHKPMCG  
Brushed Brass  
2 handles  
6 knobs



CXFCHHKPMFB  
Flat Black  
2 handles  
6 knobs



JXPROBE1  
Probe Accessory