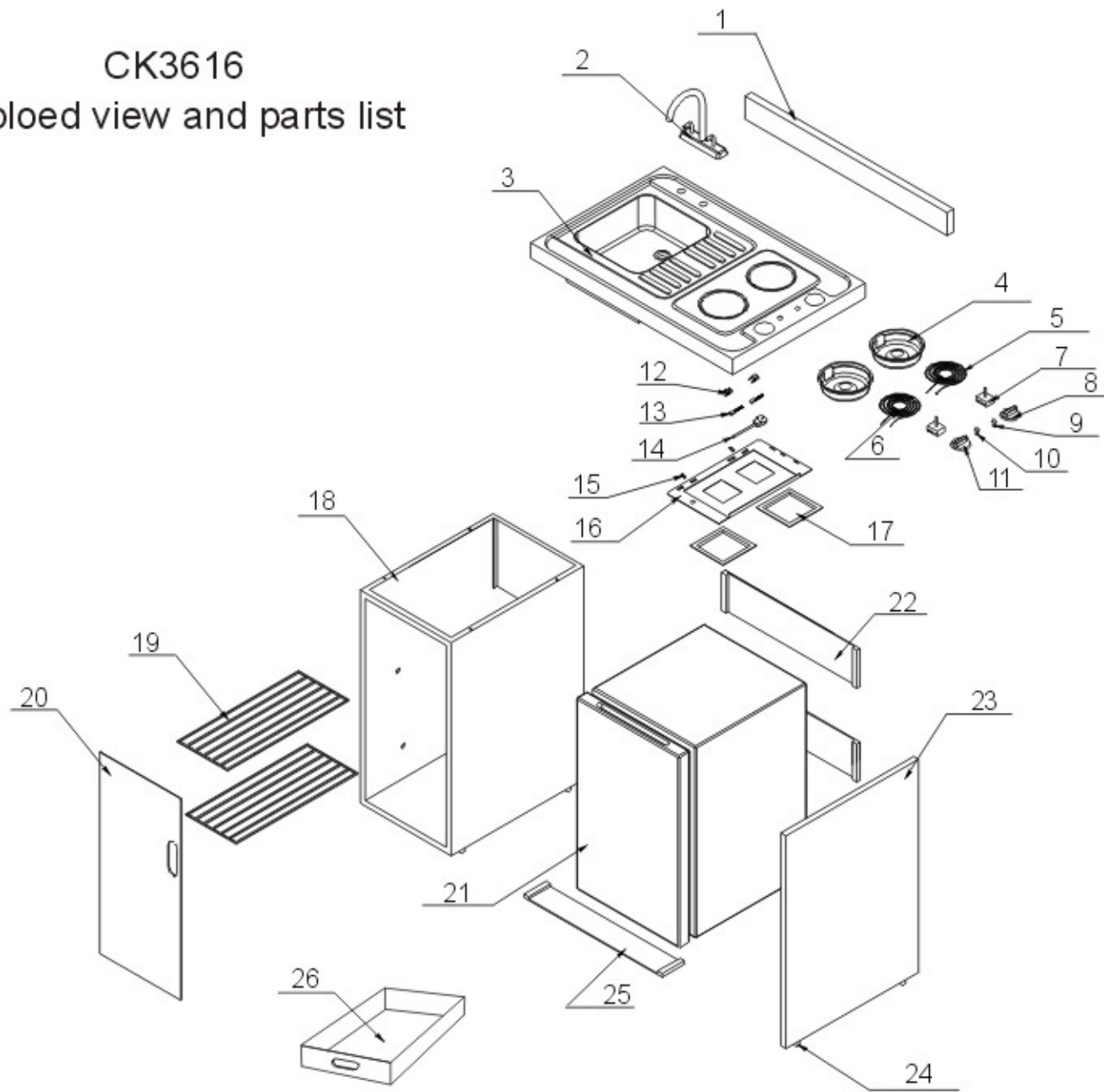


# CK3616

## exploded view and parts list



PART NO.	PART NAME
1	Backsplash
2	Water Faucet Assembly
3	Cook-top
4	Reflector Bowl
5	Rear Burner 120V/500W
6	Front Burner 120V/900W
7	Power Switch
8	Rear Burner Power Switch Knob
9	Rear Burner Indicator
10	Front Burner Indicator
11	Front Burner Power Switch Knob
12	Metal Clip
13	Power Supply Connector
14	Power Supply Cord For Burners
15	Cord Clamp
16	Bottom Plate
17	Water Drip Tray
18	Bottom Cabinet
19	Wire Shelf
20	Cabinet Door
21	Refrigerator
22	Reinforce Plate
23	Right Plate
24	Leveling Legs
25	Bottom Supporter Plate
26	Drawer

### CK3616 Parts List

No.	Part CODE	Description	Quantity
1	CK3616-01	Backsplash	1
2	CK3616-02	Faucet	1
3	CK3616-03	Cooktop	1
4	CK3616-04	Reflector bowl	2
5	CK3616-05	Rear burner (120V/500W)	1
6	CK3616-06	Front burner (120V/900W)	1
7	CK3616-07	Power switch	2
8	CK3616-08	Rear burner power switch knob	1
9	CK3616-09	Rear burner indicator	1
10	CK3616-10	Front burner indicator	1
11	CK3616-11	Front burner power switch knob	1
12	CK3616-12	Metal clip	2
13	CK3616-13	Power supply connector	2
14	CK3616-14	Power supply cord for burners	1
15	CK3616-15	Cord clamp	3
16	CK3616-16	Bottom plate	1
17	CK3616-17	Water drip tray	2
18	CK3616-18	Bottom cabinet	1
19	CK3616-19	Wire shelf	2
20	CK3616-20	Cabinet door	1
21	CK3616-21	Refrigerator	1
22	CK3616-22	Refrigerator plate	2
23	CK3616-23	Right plate	1
24	CK3616-24	Leveling legs	6
25	CK3616-25	Bottom supporter plate	2
26	CK3616-26	Drawer	1