



**INSTRUCTION MANUAL  
MANUAL DE INSTRUCCIONES  
MANUEL D'INSTRUCTIONS**

Model Number:  
Número de modelo:  
No. de Modelo:

**CK3616**

**COMPACT KITCHEN WITH REFRIGERATOR  
MINI COCINA INTEGRADA CON REFRIGERADOR  
CUISINE COMPACTE AVEC RÉFRIGÉRATEUR**



**BEFORE USE, PLEASE READ AND FOLLOW ALL SAFETY RULES AND OPERATING INSTRUCTIONS.**

**ANTES DE USAR, LEA Y SIGA TODAS LAS INSTRUCCIONES DE OPERACIÓN.**

**AVANT D'UTILISER L'APPAREIL, VEUILLEZ LIRE ATTENTIVEMENT  
LES RÈGLES DE SÉCURITÉ ET LES INSTRUCTIONS.**

Avanti has a policy of continuous improvement on its products and reserves the right to change materials and specifications without notice.  
La política de Avanti es la de continuar mejorando sus productos y se reserva el derecho de cambiar los materiales y especificaciones sin notificación alguna.  
Avanti a une politique d'amélioration continue de ses produits et se réserve le droit de changer les matériaux et les spécifications sans préavis.

**La versión española de este manual comienza en la página 18  
La version française de ce manuel débute à la page 34**

---

**Avanti Products LLC  
P.O. Box 520604 - Miami, Florida 33152  
www.avantiproducts.com**

## TABLE OF CONTENTS

HELP US HELP YOU	3
PARTS AND FEATURES	4
IMPORTANT SAFETY INSTRUCTIONS	5
ELECTRICAL INSTALLATION INSTRUCTIONS	6
INSTALLATION INSTRUCTIONS	7
<i>Before Using Your Compact Kitchen</i>	7
<i>Energy Saving Tips</i>	7
<i>Installation of Your Compact Kitchen</i>	7
<i>Electrical Connection</i>	8
<i>Power Supply Connections</i>	9
<i>Backsplash Installation</i>	9
<i>Water Faucet Installation and Water Line Connection</i>	10
<i>Sink Strainer and Water Drain</i>	10
<i>Overflow Drain Line Installation</i>	11
<i>Installation of Your Refrigerator</i>	11
OPERATING YOUR COMPACT KITCHEN	12
<i>Operating Your Refrigerator</i>	12
<i>Operating Your Burners</i>	12
<i>Directions for Use of Electrical Connection</i>	12
CARE AND MAINTENANCE	13
<i>Cleaning Your Compact Kitchen</i>	13
<i>Cleaning the Burners and Reflector Bowls</i>	13
<i>Power Failure</i>	13
<i>Vacation Time</i>	13
<i>Moving Your Compact Kitchen</i>	14
TROUBLESHOOTING GUIDE	15
SERVICE FOR YOUR COMPACT KITCHEN	16
WIRING DIAGRAM	16
AVANTI PRODUCTS WARRANTY	17
INSTRUCCIONES EN ESPAÑOL	18-33
INSTRUCTIONS EN FRANÇAIS	34-49
WARRANTY REGISTRATION CARD	51

## HELP US HELP YOU...

### Read this guide carefully.

It is intended to help you operate and maintain your new Compact Kitchen properly.

Keep it handy to answer your questions. If you don't understand something or you need more assistance, please call:

**Avanti Customer Service  
800-220-5570**

Keep proof of original purchase date (such as your sales slip) with this guide to establish the warranty period.

**CAUTION:**

THE REFRIGERATOR OF COMPACT KITCHEN IS NOT DESIGNED FOR THE STORAGE OF MEDICINE OR OTHER MEDICAL PRODUCTS.

### Write down the model and serial numbers.

You'll find them on a plate located on the rear wall of the Compact Kitchen

Please write these numbers here:

\_\_\_\_\_  
Date of Purchase

\_\_\_\_\_  
Model Number

\_\_\_\_\_  
Serial Number

Use these numbers in any correspondence or service calls concerning your Compact Kitchen

If you received a damaged Compact Kitchen, immediately contact the dealer (or builder) that sold you the Compact Kitchen

Save time and money. Before you call for service, check the Troubleshooting Guide. It lists causes of minor operating problems that you can correct yourself.

---

### *If you need service*

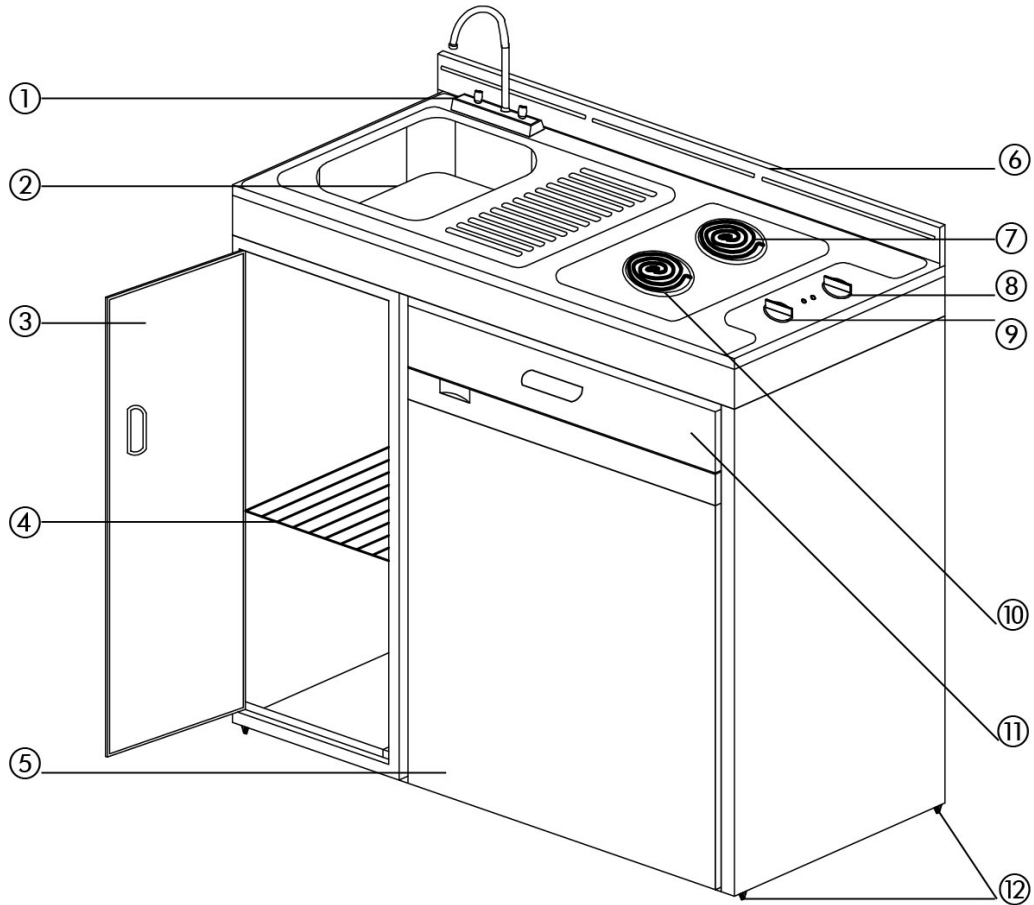
We're proud of our service and want you to be pleased. If for some reason you are not happy with the service you receive, here are some steps to follow for further assistance.

FIRST, contact the people who serviced your Compact Kitchen. Explain why you are not pleased. In most cases, this will solve the problem.

NEXT, if you are still not pleased, write all the details, including your telephone number, and send it to:


**Customer Service  
Avanti Products  
10880 NW 30 Street  
Miami, FL 33172 USA**

## PARTS AND FEATURES



1	Water Faucet
2	Sink
3	Cabinet Door
4	Cabinet Shelf
5	Refrigerator
6	Backsplash
7	Rear Burner (500 Watts)
8	Rear Burner Control Knob
9	Front Burner Control Knob
10	Front Burner (900 Watts)
11	Drawer
12	Leveling Legs

## IMPORTANT SAFETY INSTRUCTIONS

	To reduce the risk of fire, electrical shock, or injury when using your Compact Kitchen, follow these basic precautions:
---	--

### **This Unit Is For Indoor Use Only - SAVE THESE INSTRUCTIONS -**

- Read all instructions before using the Compact Kitchen.
- **DANGER or WARNING:** Risk of child entrapment. Child entrapment and suffocation are not problems of the past. Junked or abandoned appliances are still dangerous . . . even if they will “just sit in the garage a few days”.
- **Before you throw away your old refrigerator:** take off the doors. Leave the shelves in place so that children may not easily climb inside.
- Never allow children to operate, play with, or crawl inside the Compact Kitchen.
- Never clean Compact Kitchen parts with flammable fluids. The fumes can create a fire hazard or explosion.
- Do not store or use gasoline or any other flammable vapors and liquids in the vicinity of this or any other appliance. The fumes can create a fire hazard or explosion.

#### **Proper Installation**



- Be sure your appliance is properly installed, per the manufacturer instructions.
- Never use your appliance for warming or heating the room.
- Do not leave children alone - Children should not be left alone or unattended in area where the appliance is in use. They should never be allowed to sit or stand on any part of the appliance.
- Wear proper apparel - Loose fitting or hanging garments should never be worn while using the appliance.
- User Servicing - Do not repair or replace any part of the appliance unless specifically recommended in the manual. All other servicing should be referred to a qualified technician.
- Storage in or on appliance - Flammable materials should not be stored in the unit.
- Do not use water on grease fires - Smother fire or flame or use dry chemical or foam-type extinguisher.
- Use only dry potholders - moist or damp potholders on hot surfaces may result in burns from steam. Do not let potholder touch hot heating elements. Do not use a towel or other bulky cloth.
- Use proper pan size - this appliance is equipped with one or more surface units of different size. Select utensils having flat bottoms large enough to cover the surface unit heating element. The use of undersized utensils will expose a portion of the heating element to direct contact and may result in ignition of clothing. Proper relationship of utensil to burner will also improve efficiency.
- Never leave surface units unattended at high heat settings – boil over causes smoking and greasy spillovers that may ignite.
- Make sure reflector pans or drip bowls are in place - absence of these pans or bowls during cooking may subject wiring or components underneath to damage.
- Protective liners - do not use aluminum foil to line surface unit drip bowls or oven bottoms, except as suggested in the manual. Improper installation of these liners may result in a shock or fire hazard.
- Glazed cooking utensils - only certain types of glass, glass/ceramic, ceramic, earthenware, or other glazed utensils are suitable for range top service without breaking due to sudden change in temperature.
- Utensil handles should be turned inward and not extend over adjacent surface units – to minimize burns, ignition of flammable materials, and spillage due to unintentional contact with the utensil, the handle of a utensil should be positioned so that it is turned inward, and does not extend over adjacent surface units.
- Do not soak removable heating elements – heating elements should never be immersed in water.
- Caution - do not store items of interest to children in cabinets above a range or on the back guard of a range - children climbing on the range to reach items could be seriously injured.
- Do not touch surface units or areas near units - surface units may be hot even though they are dark in color. Areas near surface units may become hot enough to cause burns. During and after use, do not

- touch or let clothing or other flammable materials contact surface units or areas near units until they have had sufficient time to cool. Among these areas are the cook-top and surfaces facing the cook-top.
- When replacing your faucet – for safety reasons don not use a spout longer than 150mm (6”).

## ELECTRICAL INSTALLATION INSTRUCTIONS

The electrical installation shown below must be performed by a qualified and licensed electrician, following all of the electrical codes and ordinances required by the State.

- Select a designated power source to be used specifically for this unit.
- Make sure that the A/C power and the designated circuit breaker is turned off.
- Attach and secure conduit to the knockout hole of the junction box.
- You must make sure that the conduit is long enough to reach from the unit junction box to the power source selected.
- Take off the cover plate from the junction box to connect the stripped end of the wires to the receptacles of the junction box. Please follow the color codes of the wires to make sure that it is properly grounded.
- At the other end connect all wires to the power source and secure the conduit to the power receptacle, making sure that the colors of the wires are matched during the connection.
- Install or replace the cover plate to the junction box and turn ON the A/C from the source or circuit breaker.
- Then install the power cord of the refrigerator and the burners to the junction box of the unit.

<div style="display: flex; justify-content: space-around; align-items: center;"> <div style="text-align: center;"> <p><i>Right</i></p>  <p><i>Not over 1 inch</i></p> </div> <div style="text-align: center;"> <p><i>Wrong</i></p>  <p><i>Over 1 inch</i></p> </div> </div> <p style="text-align: center; font-weight: bold; margin-top: 10px;">USE PROPER PAN SIZE</p> <p>This appliance is equipped with a standard size coiled burner.</p> <p>Use cookware having flat bottoms large enough to completely cover the cooking surface. Selected cookware should not extend over 1 inch past the rim of the liner bowls.</p>	<div style="background-color: black; color: white; text-align: center; padding: 5px; font-weight: bold; font-size: 1.2em;"> <span style="font-size: 1.5em;">⚠</span> <b>WARNING</b> <span style="font-size: 1.5em;">⚠</span> </div> <p style="text-align: center; margin-top: 10px;">The use of oversized or non-flat bottomed cookware may cause extensive (non-repairable) damage to the surfaces surrounding the coiled burners.</p> <p style="text-align: center; font-weight: bold; margin-top: 10px;">DO NOT USE COOKWARE THAT:</p> <ul style="list-style-type: none"> <li>– Over extends the cooking surface.</li> <li>– Touches / contacts or rests on area surrounding cooking surface during use as this will transfer heat to the area and present a burn hazard.</li> </ul>
--	---

NOTICE:

Damages to your appliance caused by the use of improper cookware is considered as non-compliance with the written instruction as provided in this manual and void any warranty that may be in effect.  
**(See page 17 - Avanti Product Warranty).**

# INSTALLATION INSTRUCTIONS

## Before Using Your Compact Kitchen

- Remove the exterior and interior packing.
- Check to be sure you have all of the following parts:
  - **Kitchen Section**
    - 1 Wire Shelf
    - Faucet Set
    - Strainer
    - Strainer Plug
    - Backsplash and Assembly Screws
    - Instruction Manual
  - **Refrigerator Section**
    - 2 shelves
    - Instruction Manual
- Before connecting the refrigerator of your Compact Kitchen to the power source, let it stand upright for approximately 2 hours. This will reduce the possibility of a malfunction in the cooling system of the refrigerator from handling during transportation.
- Clean the interior surface with lukewarm water using a soft cloth.

## Energy Saving Tips

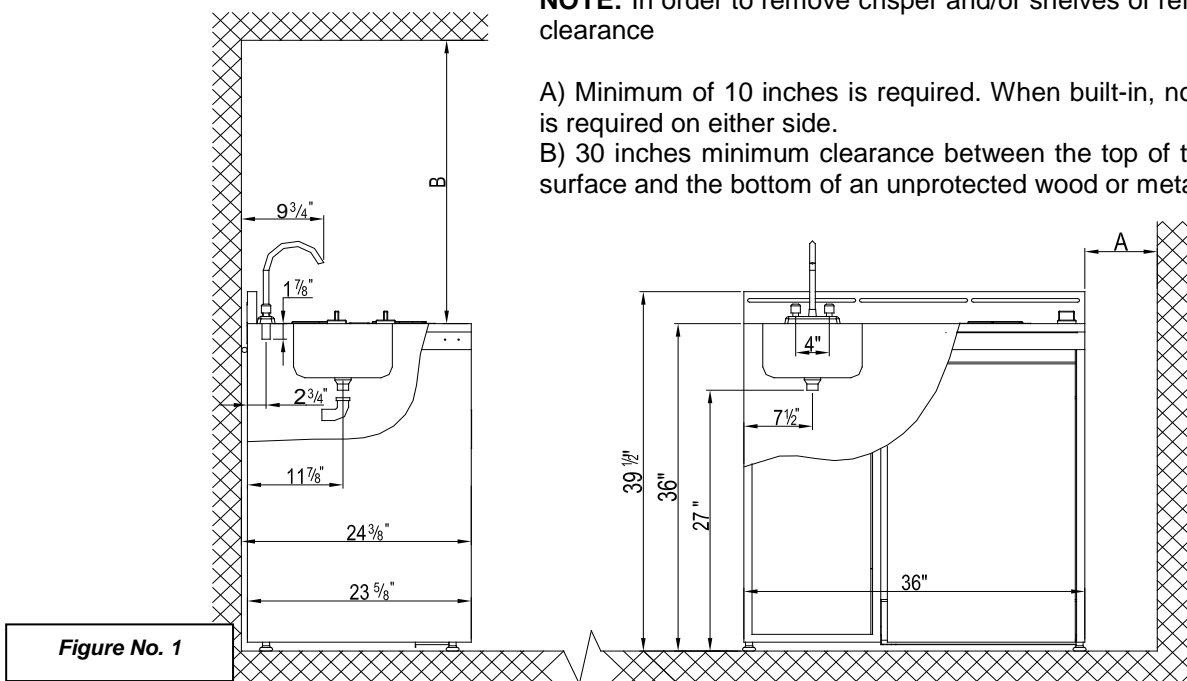
The Compact Kitchen should be located in the coolest area of the room, away from heat producing appliances, and out of the direct sunlight.

## Installation of the Compact Kitchen

**NOTE:** In order to remove crisper and/or shelves of refrigerator, a clearance

A) Minimum of 10 inches is required. When built-in, no clearance is required on either side.

B) 30 inches minimum clearance between the top of the cooking surface and the bottom of an unprotected wood or metal cabinet.



- To eliminate the risk of burns or fire by reaching over heated surface units, cabinet storage space located above the surface units should be avoided. If cabinet storage is to be provided, the risk can be reduced by installing a range hood that projects horizontally a minimum of 5 inches beyond the bottom of the cabinets.
- Place your Compact Kitchen on a floor that is strong enough to support it when it is fully loaded as above picture. To level your Refrigerator, adjust the leveling legs at the bottom of the refrigerator.
- For satisfactory water drainage of the sink, and proper door functioning, it is important to level the appliance in both directions, using the leveling legs provided on the bottom of the cabinet for this purpose.
- Locate the Compact Kitchen away from direct sunlight and sources of heat (heater, radiator, etc.). Direct sunlight may affect the acrylic coating and heat sources may increase electrical consumption. Extreme cold ambient temperatures may also cause the unit not to perform properly.
- Avoid locating the unit in moist areas.
- Do not under any circumstances cut or remove the third (ground) prong from the power cord of your refrigerator or burners. Any questions concerning power and/or grounding should be directed toward a certified electrician or an authorized Avanti Products service center.
- After connecting the appliance to the power supply, allow the Refrigerator to cool down for 2-3 hours before placing items in the compartment.

## **Electrical Connection**

### **⚡WARNING⚡**

Improper connection of the equipment-grounding can result in the risk of electrical shock. If the power cord of the range or refrigerator is damaged, have it replaced by an authorized Avanti Products service center.

- The appliance must be installed and grounded by a qualified technician in accordance with the National Electrical Code ANSI/NFPA No. 70 (Latest Edition) and local electrical code requirements.
- The appliance is designed to be permanently connected with conduit.
- This appliance requires a standard 115/120 Volt AC ~/60Hz electrical power, and connected to an individual properly grounded branch circuit, protected by a 15 amp circuit breaker or time delay fuse.
- This unit should be properly grounded for your safety. The range and refrigerator power cords of the appliance are equipped with a grounded plug which is connected to the grounded permanent wiring system.
- Do not under any circumstances cut or remove the third ground lead from the AC supply. Any questions concerning power and/or grounding should be directed toward a certified electrician or an authorized Avanti Products service center.
- Remove house fuse or open circuit breaker before beginning installation.
- Do not attempt to repair or replace any part of the appliance unless it is specifically recommended in this manual. All other servicing should be referred to a qualified technician.
- To minimize the possibility of electric shock, disconnect this appliance from the A/C power supply before attempting any maintenance.
- Do not use extension cords for the connections of the range and refrigerator.

**NOTE: Turning the appliance off does not disconnect the appliance from the power supply. We recommend having a qualified technician service your appliance.**

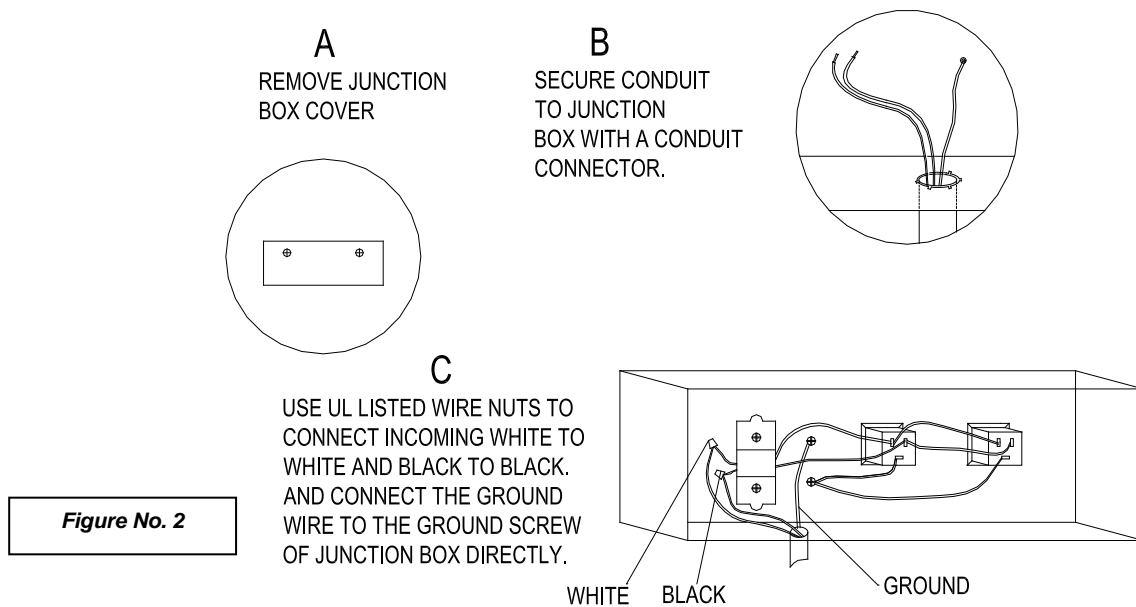
### **WARNING**

The electrical installation shown below must be performed by a qualified and licensed electrician, following all of the electrical codes and ordinances required by the State.



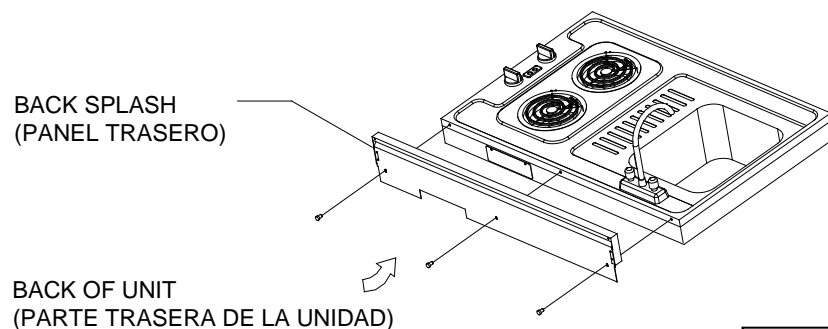
## Power Supply Connections

- Prepare the wiring in accordance to the National Electrical Code and/or local codes and ordinances by a qualified electrician.
- Remove junction box cover. Remove 7/8 in. knockout for conduit connection.
- Secure conduit to the junction box with a conduit connector.
- Locate the two wires (white and black) of the unit with stripped ends. Use wire nuts to connect incoming white to white and black to black. Connect the incoming ground wire directly to ground screw of junction box.
- Replace junction box cover. Check to be sure that wires are not pinched under the unit.



## Backsplash Installation

Install the backsplash to the kitchen cabinet as shown in Figure No. 3.

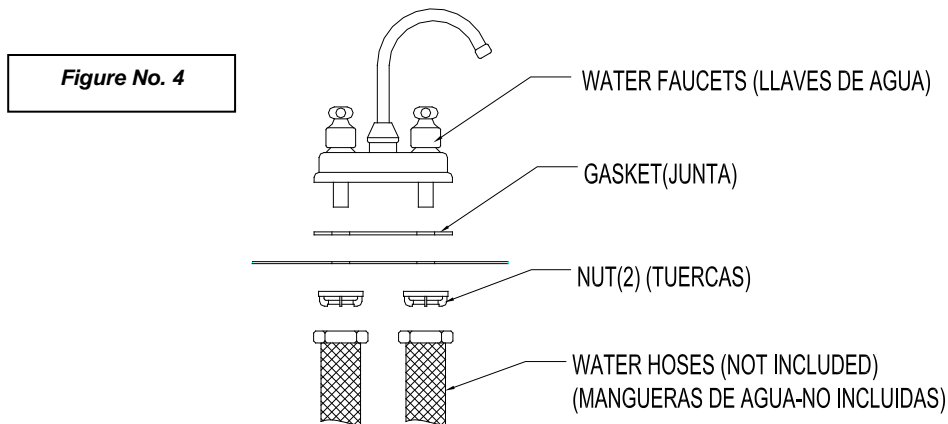


**Figure No. 3**

## Water Faucet Installation And Water Line Connection

Connection to the water supply must be performed by a professional licensed plumber and comply with all Local Codes and Ordinances.

**⚡WARNING⚡**  
 IMPROPER WATER LINE CONNECTION MAY RESULT IN FLOODING  
 YOU MUST USE A LICENSED PLUMBER  
 REVIEW STATE AND LOCAL PLUMBING CODES BEFORE INSTALLATION

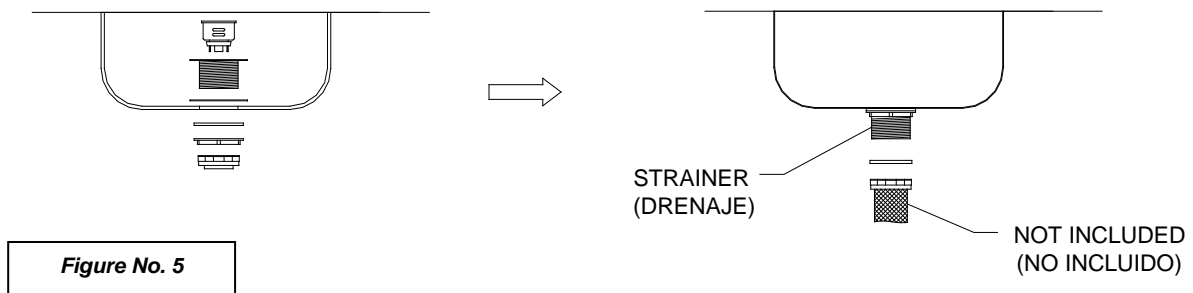


- Turn off the water supply.
- Install the water faucet as above picture.
- Connect the water supply hoses to the water faucet by matching cold to cold and hot to hot. Do not stretch the water supply hose. If the hose is too short, replace the hose with a longer, high-pressure hose.

## Sink Strainer Installation And Water Drain

Connection to the water sink must be performed by a professional licensed plumber and comply with all Local Codes and Ordinances.

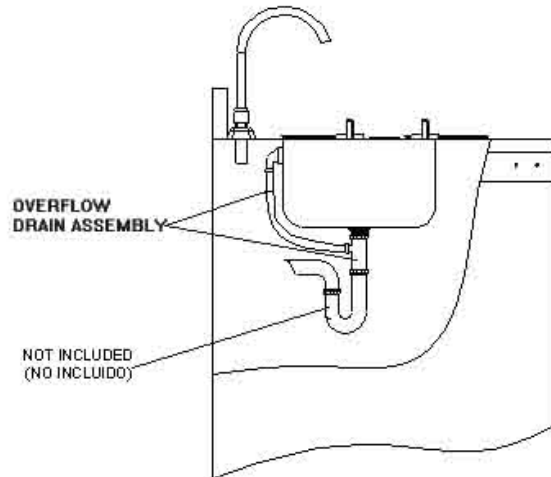
- The sink strainer is already preassembled in the factory.
- Secure the water drain system to the sink strainer as below shown.



## Overflow Drain Line Installation

- The molded end of the waste drain must fit the connections on the waste tee and overflow adapter.
- Connect the waste tee with overflow adapter to the waste drain hose and secure drain hose to the waste tee and overflow adapter with clamps. The connection must be performed by a professional licensed plumber and comply with all Local Codes and Ordinances. See Figure No. 6.

Figure No. 6

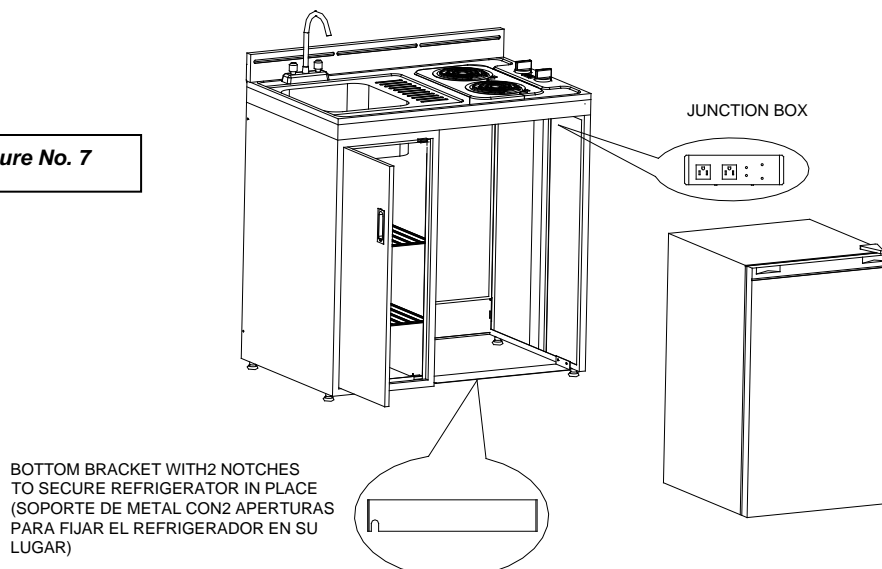


## Installation of the Refrigerator

**NOTE: The refrigerator is supplied with a separate instruction manual. Please review prior to final installation of your Compact Kitchen.**

- Disconnect the power supply. Failure to disconnect the appliance could result in electrical shock or personal injury.
- Connect the Refrigerator power supply cord to the receptacle in the junction box located at the back of kitchen cabinet under the countertop as shown in Figure No. 7.
- Slide the refrigerator into the kitchen cabinet by slightly lifting the rear part of refrigerator. Make sure the power supply cord is not kinked or damaged under the refrigerator.
- Secure refrigerator leveling legs in place using the bottom bracket notches as shown in Figure No. 7.

Figure No. 7



# OPERATING YOUR COMPACT KITCHEN

## ***Operating Your Refrigerator***

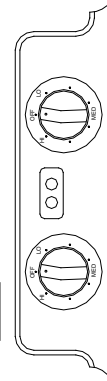
The refrigerator is supplied with a separate instruction manual. Please find the details for how to operate the refrigerator inside.

## ***Operating Your Burners***

Your Compact Kitchen comes with two burners (500W and 900W power input). To operate the burners simply push in and turn the knob to the desired position. These controls go from low to high power output, having a number of positions (see Figure No. 9).

When the burners are in operation the indicator lights on the cook top panel will be lit regardless of the setting.

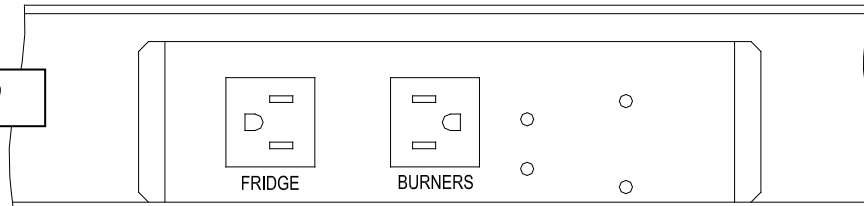
**Figure No. 9**



## ***Directions For Use Of Electrical Connection***

The appliance is equipped with a junction box located under the countertop with two outlets. One outlet for burners and one outlet for refrigerator (see Figure No. 10). Once the unit is installed by a qualified electrician make sure that both, the burners and the refrigerator are properly connected to the box.

**Figure No. 10**



# CARE AND MAINTENANCE

## ***Cleaning Your Compact Kitchen***

- Disconnect the A/C from the main power box or designated circuit breaker, turn off the Compact Kitchen, make sure all surface units are off and cool before removing anything, then remove all items including shelves and rack.
- Wash the inside surfaces with a warm water and baking soda solution. The solution should be about 2 tablespoons of baking soda to a quart of water.
- Wash the shelves and rack with a mild detergent solution.
- The outside of the Compact Kitchen should be cleaned with mild detergent and warm water.
- Wring excess water out of the sponge or cloth when cleaning area of the controls, or any electrical parts.
- Wash the outside cabinet with warm water and mild liquid detergent. Rinse well and wipe dry with a clean soft cloth.
- Do not use steel wool or steel brush on the cook-top.

### **CAUTION**

FAILURE TO DISCONNECT THE APPLIANCE COULD RESULT  
IN ELECTRICAL SHOCK OR PERSONAL INJURY.

## ***Cleaning Burners And Reflector Bowls***

- Disconnect the A/C from the main power box or designated circuit breaker and turn off the Compact Kitchen to make sure that burners are off and cool before removing burners and reflector bowls.
- Removing the burners and reflector bowls as following:
  - Lift the edge of the burners opposite from the receptacle and pull them gently out of the mounting receptacles.
  - After the burners have been removed, the reflector bowls can be lifted out of their mountings.
- Clean the burners and reflector bowls with mild detergent and warm water. Wring excess water out of the sponge or cloth when cleaning them.
- Replace the burners and reflector bowls as following:
  - Line up the opening of the reflector bowls with the burners receptacle, hold the burners as level as possible with the terminals just positioned into the receptacle, then push the burners' terminals into the receptacles.
  - When the terminals are pushed into the receptacles as far as it will go, push down the edge of burners opposite the receptacle.

***NOTE: Do not immerse burners in water or any other liquids.***

## ***Power Failure***

Most power failures are corrected within a few hours and should not affect the temperature of your refrigerator if you minimize the number of times the door is opened. If the power is going to be off for a longer period of time, you need to take the proper steps to protect your contents. When power failures please make sure to turn all burners off.

## ***Vacation Time***

**Short vacations:** Leave the Refrigerator of Compact Kitchen operating during vacations of less than three weeks.

**Long vacations:** If the appliance will not be used for several months, remove all items and turn off the power supply. Clean and dry the interior thoroughly. To prevent odor and mold growth, leave the door open slightly: blocking it open if necessary.

## ***Moving Your Compact Kitchen***

- Have a qualified electrician to disconnect the power supply and shut off the water supply.
- Use a qualified plumber to disconnect the water supply connections and water drain connection.
- Remove all items from the storage compartment.
- Unplug and remove the refrigerator out of the Compact Kitchen and move them separately.
- Securely tape down all loose items (shelves and basket) inside your Compact Kitchen Compartment and Refrigerator.
- Turn the adjustable feet up to the base to avoid damage.
- Tape the door shut.
- Be sure the Compact Kitchen and Refrigerator stay secure in the upright position during transportation. Also protect outside of Compact Kitchen and Refrigerator with a blanket, or similar item.



## TROUBLESHOOTING GUIDE

You can solve many common Compact Kitchen problems easily, saving you the cost of a possible service call. Try the suggestions below to see if you can solve the problem before calling the servicer.

PROBLEM	POSSIBLE CAUSE
COMPACT KITCHEN does not operate.	Not connected to power supply. The circuit breaker tripped or blown fuse.
The Refrigerator does not operate	Not connected to power supply. The circuit breaker tripped or blown fuse. The temperature control knob is set in "OFF" position.
The Refrigerator turns on and off frequently.	The room temperature is hotter than normal. The door is opened too often. The door is not closed completely. The temperature control is not set correctly. The door gasket does not seal properly.
Vibrations.	Check to assure that the refrigerator is leveled.
The Refrigerator seems to make too much noise.	The rattling noise may come from the flow of the refrigerant, which is normal. As each cycle ends, you may hear gurgling sounds caused by the flow of refrigerant. Contraction and expansion of the inside walls may cause popping and crackling noises. The refrigerator is not leveled.
The refrigerator door will not close properly.	The refrigerator is not leveled. The gasket is dirty. The shelves are out of position.
Burners will not maintain a rolling boil or frying rate is not fast enough.	You must use pans that are absolutely flat. Pan bottom should closely match the diameter of the burners selected.
Foods cook slowly	Improper cookware being used.
Burners do not operate	The circuit breaker tripped or blown fuse. The burners are not plug in the receptacle all the way. The power switch knobs are not set correctly.
Burners control knobs will not turn	You are not pushing in before turning.

## SERVICE FOR YOUR COMPACT KITCHEN

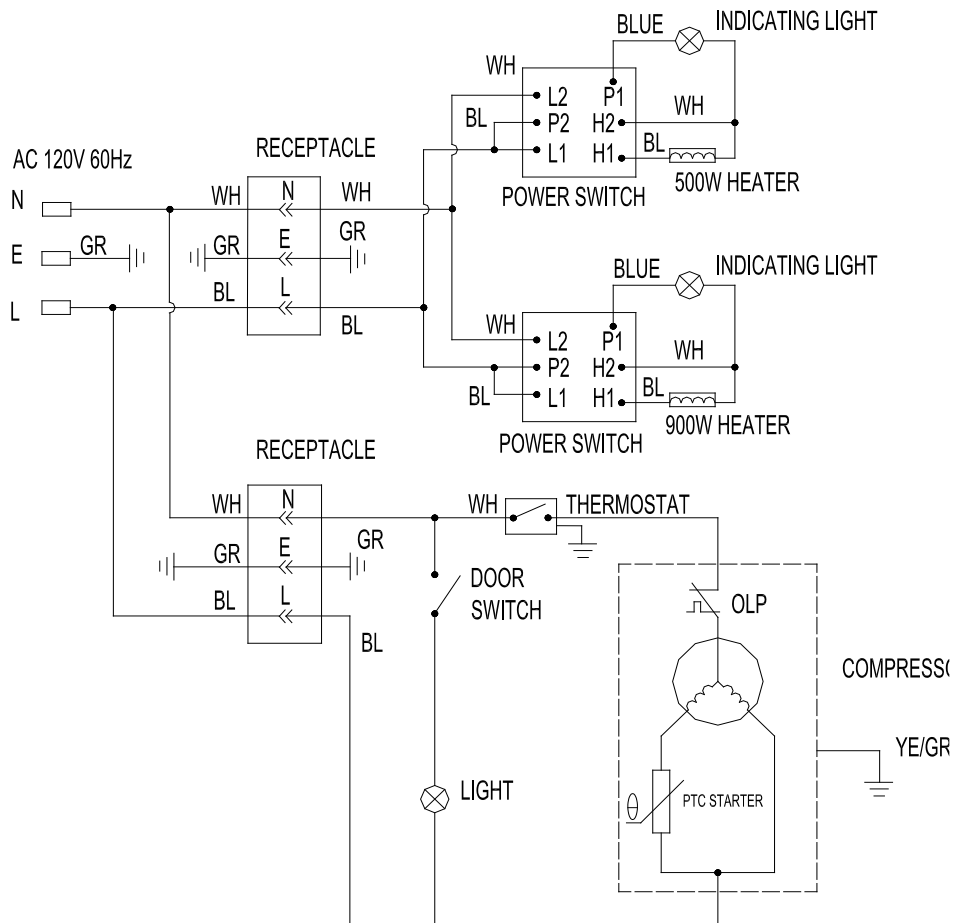
We are proud of our customer service organization and the network of professional service technicians that provide service on your Avanti Products appliances. With the purchase of your Avanti Products appliance, you can be confident that if you ever need additional information or assistance, the Avanti Products Customer Service team will be here for you. Just call us toll-free.

### *Avanti Products Customer Service*

Product Information 800-323-5029	Whatever your questions are about our products, help is available.
Part Orders 800-220-5570	You may order parts and accessories that will be delivered directly to your home by personal check, money order, Master Card, or Visa.
In-Home Repair Service 800-220-5570	An Avanti Products authorized service center will provide expert repair service, scheduled at a time that is convenient for you. Our trained servicers know your Compact Kitchen inside and out.

## WIRING DIAGRAM

(Complete kitchen)





Staple your sales receipt here.

**Proof of original purchase date is needed to obtain service under warranty.**

### **WHAT IS COVERED LIMITED ONE-YEAR WARRANTY**

For one year from the date of purchase by the original owner, Avanti Products will, at its option, repair or replace any part of the unit, which proves to be defective in material or workmanship under normal use. During this period Avanti Products will provide all parts and labor necessary to correct such defects free of charge, so long as the unit has been installed and operated in accordance with the written instructions in this manual. In rental or commercial use, the warranty period is 90 days. Avanti Products will provide you with a reasonably similar replacement product that is either new or factory refurbished. All Avanti Appliances of 4.0 cubic feet capacity or less must be brought/sent to the appliance service shop for repair.

### **SECOND THROUGH FIFTH YEAR LIMITED WARRANTY**

For the second through the fifth year from date of original purchase, Avanti Products will provide a replacement compressor free of charge due to a failure. You are responsible for the service labor and freight charges. In rental or commercial use, the limited compressor warranty is one year and nine months. Cost to move the unit to the servicers' shop and back to the user's home, as may be required, are the user's responsibility.

### **WHAT IS NOT COVERED**

- Content losses of food due to spoilage.
- Incidental or consequential damages.
- Parts and labor costs for the following will not be considered as warranty:
  - Door springs, and/or frames.
  - Inner door panels, door rails and/or door supports.
  - Light bulbs and/or plastic housing.
  - Plastic cabinet liners.
- Punctured evaporator that voids the warranty on the complete sealed system.
- Shipping and handling costs associated with the replacement of the unit.
- Repairs performed by unauthorized servicers.
- Service calls that do not involve defects in material or workmanship such as customer education, door reversal, or proper installation.
- Service calls that are related to external problems, such as abuse, misuse, inadequate electrical power, accidents, fire, floods, or acts of God.
- Surcharges including but not limited to, any after hour, weekend, or holiday service calls, tolls, ferry trip charges, or mileage expenses for service calls to remote areas, including the State of Alaska.
- Replacement of house fuses or resetting circuit breakers.
- Failure of the product if it is used for other than its intended purpose.

This warranty does not apply outside the Continental USA.

## TABLA DE CONTENIDO

AYÚDANOS A AYUDARTE	19
PARTES Y CARACTERÍSTICAS	20
INSTRUCCIONES DE SEGURIDAD IMPORTANTES	21
INSTRUCCIONES DE INSTALACIÓN ELÉCTRICA	22
INSTRUCCIONES DE INSTALACIÓN	23
<i>Antes de usar la compacta cocina</i>	23
<i>Economía de energía</i>	23
<i>Instalación de la cocina compacta</i>	23
<i>Conexión eléctrica</i>	24
<i>Conexiones de la fuente de alimentación</i>	25
<i>Instalación protector contra salpicaduras</i>	25
<i>Instalación de agua del grifo y el conducto de agua de conexión</i>	26
<i>Conexion de drenaje (fregadero)</i>	26
<i>Instalación de desbordamiento de drenaje línea</i>	27
<i>Instalacion del refrigerador</i>	27
FUNCIONAMIENTO DE LA COCINA COMPACTA	28
<i>Funcionamiento del refrigerador</i>	28
<i>Funcionamiento de los quemadores</i>	28
<i>Caja electrica</i>	28
CUIDADO Y MANTENIMIENTO	29
<i>Limpieza del pacto cocina</i>	29
<i>Quemadores de limpieza y cuencos reflector</i>	29
<i>Fallo de alimentación</i>	29
<i>Tiempo de vacaciones</i>	29
<i>Moviendo su compacto Cocina</i>	30
GUÍA DE SOLUCIÓN DE PROBLEMAS	31
SERVICIO DE LA COCINA COMPACTA	32
ESQUEMA DE CABLEADO	32
GARANTÍA "AVANTI PRODUCTS"	33
ENGLISH INSTRUCTIONS	2-17
INSTRUCTIONS EN FRANÇAIS	34-49
REGISTRO DE GARANTÍA	52

---

## AYÚDANOS A AYUDARTE

### Lea detenidamente esta guía.

Se tiene la intención de ayudar a hacer funcionar y mantener su nueva cocina compacta correctamente.

Tenga a la mano para responder a sus preguntas. Si usted no entiende algo o necesita más ayuda, por favor llame al:

**Servicio al cliente de Avanti  
800-220-5570**

Mantenga comprobante de la fecha original de compra (como el recibo de venta) con esta guía para establecer el período de garantía.

### **PRECAUCIÓN:**

El refrigerador de la cocina compacta no está diseñado para el almacenamiento de la medicina o de otros productos médicos.

Anote el modelo y número de serie.

Los encontrará en una placa situada en la pared posterior de la cocina compacta

Por favor, escriba estos números aquí:

\_\_\_\_\_

Fecha de compra

\_\_\_\_\_

Número de modelo

\_\_\_\_\_

número de serie

Utilice estos números en cualquier correspondencia o llamadas de servicio en relación con el sistema Compact Kitchen

Si usted recibió un dañado Cocina compacta, comuníquese inmediatamente con el distribuidor (o contratista) que le vendió la cocina compacta

Ahorre tiempo y dinero. Antes de acudir al servicio, verifique la guía de solución de problemas. En él se enumeran las causas de los problemas de funcionamiento de menor importancia que usted mismo puede corregir.

---

### ***Si necesita servicio***

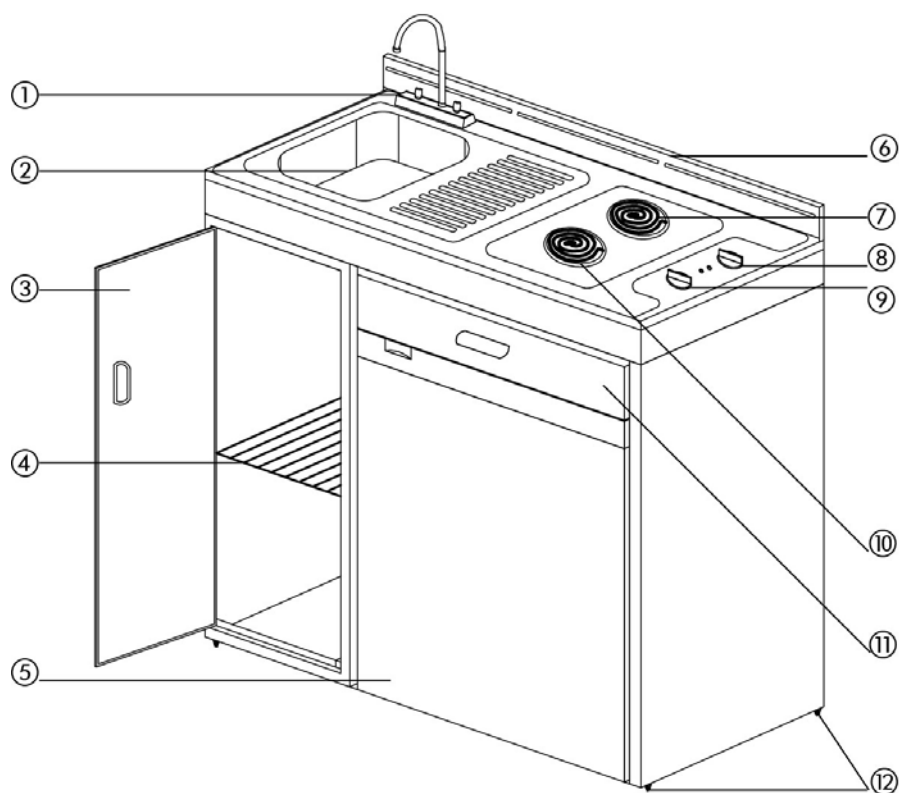
Estamos orgullosos de nuestro servicio y queremos que usted esté satisfecho. Si por alguna razón usted no está satisfecho con el servicio que recibe, aquí hay algunos pasos a seguir para obtener más ayuda.

PRIMERO, póngase en contacto con la gente que repararlo Cocina compacta. Explique por qué usted no está satisfecho. En la mayoría de los casos, esto va a resolver el problema.

SIGUIENTE, si todavía no está contento, escribir todos los detalles, incluyendo su número de teléfono y enviarla a:

Servicio al Cliente  
Avanti Products  
10880 NW 30 Street  
Miami, FL 33172  
EE.UU.

## PARTES Y CARACTERÍSTICAS



1	Fuente de agua
2	Fregadero
3	Puerta del gabinete
4	Repisa
5	Refrigerador
6	Panel trasero
7	Hornilla trasera de 500 vatios
8	Control de temperatura de la hornilla trasera
9	Control de temperatura de la hornilla frontal
10	Hornilla frontal de 900 vatios
11	Gaveta
12	Patas niveladoras

## INSTRUCCIONES DE SEGURIDAD IMPORTANTES

### ⚡ PRECAUCIÓN ⚡

Para reducir el riesgo de incendio, descarga eléctrica, o daño cuando use su electrodoméstico, siga las siguientes precauciones.

### Esta unidad es para uso en interiores - GUARDE ESTAS INSTRUCCIONES -

- Leer todas las instrucciones antes de usar la cocina compacta.
- **PELIGRO o ADVERTENCIA:** Riesgo de encierro para niños. Niños atrapados y sofocación no son problemas del pasado. Aparatos desechados o abandonados siguen siendo peligrosos. . . incluso si van a "sentarse en el garaje de unos pocos días".
- **Antes de deshacerse de su refrigerador viejo:** quite las puertas. Deje los estantes en su lugar para que los niños no puedan meterse con facilidad.
- Nunca permita que los niños manejen, jueguen o se arrastran dentro de la cocina compacta.
- Nunca limpie las piezas compacto de cocina con líquidos inflamables. Los vapores pueden crear un peligro de incendio o explosión.
- No almacene ni use gasolina u otros vapores y líquidos inflamables en la proximidad de éste o cualquier otro electrodoméstico. Los vapores pueden crear un peligro de incendio o explosión.

#### Instalación apropiada:

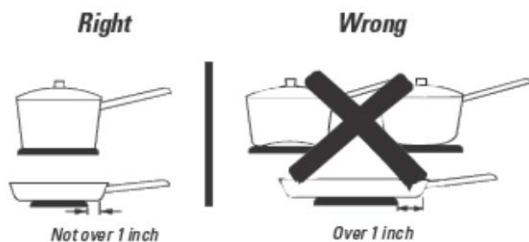
- Cerciórese de que su aparato esté correctamente instalado, según las instrucciones del fabricante.
- Nunca utilice su aparato para calentar la habitación.
- No deje solos a los niños - Los niños no deben ser dejados solos o sin vigilancia en el área donde el aparato esté en funcionamiento. Nunca se les debe permitir sentarse o pararse en ninguna parte del electrodoméstico.
- Utilice ropa adecuada - prendas holgadas o sueltas nunca se deben usar durante el uso del aparato.
- Servicio del usuario - No repare o reemplace ninguna parte del aparato a menos que se recomiende específicamente en el manual. Cualquier otro servicio debe ser realizado por un técnico calificado.
- Almacenamiento dentro o sobre el electrodoméstico - Los materiales inflamables no debe ser almacenado en la unidad.
- No use agua en los incendios de grasa - Apague el fuego o la llama o utilizar productos químicos secos o extinguidor de espuma.
- Use agarraderas secas - sólo húmedas de agarradores húmedos en superficies calientes pueden causar quemaduras por vapor. No deje que los elementos calefactores calientes al tacto agarradera. No use una toalla u otra tela gruesa.
- Utilizar sartén de tamaño apropiado - este aparato está equipado con una o más unidades de superficie de diferentes tamaños. Elija utensilios con las bases aplanadas y lo suficientemente grandes para cubrir la unidad de superficie del elemento calefactor. El uso de utensilios de menor tamaño expondrá una porción del elemento calefactor a contacto directo y puede ocasionar quemaduras de las prendas de vestir. Una relación adecuada entre el utensilio y el quemador también mejorará la eficiencia.
- Nunca abandone los quemadores con ajustes altos de calor - evaporamiento causa humo y derrames grasos que se pueden incendiar.
- Asegúrese sartenes con reflector o platillos protectores estén en su lugar - ausencia de estas ollas o recipientes durante la cocción pueden cableado o componentes que están debajo daños.
- Revestimientos protectores - No use papel de aluminio para cubrir la superficie de la unidad platillos protectores o el fondo del horno, excepto como se sugiere en el manual. La instalación inadecuada de estos revestimientos puede resultar en un riesgo de descarga eléctrica o un incendio.
- acristalada utensilios de cocina - sólo ciertos tipos de vidrio, vidrio / cerámica, cerámica, arcilla u otros utensilios vidriados son adecuados para servicio de alta gama sin que se quiebren con el cambio repentino de temperatura.
- mangos de los utensilios deben ser colocados hacia el interior y se extiende hasta las unidades exteriores adyacentes - para minimizar las quemaduras, el encendido de materiales inflamables y derrames debido a contacto accidental con el utensilio, el mango del utensilio debe colocarse de modo que quede hacia adentro y no se extiende a través de unidades de superficie adyacentes.
- No remoje los elementos calefactores desmontables - elementos de calefacción nunca se deben sumergir en agua.
- Precaución - No almacene artículos de interés para los niños en los armarios que están sobre la estufa o en el protector de espalda de un rango - los niños se suban a la estufa para alcanzarlos podría sufrir

- lesiones graves.
- No toque las unidades de superficie o áreas cercanas a las unidades - de la superficie pueden estar calientes aunque su color sea oscuro. Las áreas cercanas a las unidades de superficie pueden calentarse lo suficiente como para causar quemaduras. Durante y después del uso, no toque ni deje que la ropa u otras unidades de la superficie de contacto de materiales inflamables o en áreas cercanas a las unidades hasta que hayan tenido tiempo suficiente para enfriarse. Entre estas áreas son las superficies que miran hacia la encimera encimera y.
- Al sustituir el grifo - por razones de seguridad don no utiliza un pico de más de 150 mm (6 ").

## INSTRUCCIONES DE INSTALACIÓN ELÉCTRICA

La instalación eléctrica se muestra a continuación debe ser realizado por un electricista calificado y con licencia, siguiendo todos los códigos y ordenanzas eléctricos requeridos por el Estado.

- Primeramente seleccione el receptáculo donde la unidad va a ser conectada.
- Asegúrese que la corriente eléctrica del receptáculo que se va a usar esté propiamente desconectada antes de comenzar la instalación. Este receptáculo debe ser usado exclusivamente para esta unidad.
- Instale y asegure el conducto eléctrico de metal flexible al orificio de la caja eléctrica de la unidad.
- Use un conducto eléctrico de metal flexible suficientemente largo para llegar desde la unidad hasta el receptáculo de la pared.
- Remueva la tapa de la caja eléctrica de la unidad, introduzca los alambres a través del conducto de metal y conecte los alambres a los receptáculos siguiendo los códigos de colores.
- Asegúrese también de tener la conexión a tierra.
- Al otro extremo del conducto eléctrico de metal asegúrese de conectar al receptáculo de la pared los alambres siguiendo los códigos de colores. Asegúrese de hacer la conexión a tierra.
- Reemplace o instale la tapa de la caja eléctrica y conecte el cable de las hornillas y del refrigerador a los receptáculos propiamente designados en la caja eléctrica para su instalación.



### USAR EL TAMAÑO DE BATERÍAS DE COCINA APROPIADA

Este aparato está equipado con un quemador en espiral estándar.

Use recipientes con bases planas lo suficientemente grandes para cubrir completamente la superficie de cocción. Utensilios de cocina seleccionado no debe extenderse más de 1 pulgada más allá del borde de los cuencos de revestimiento.

### ⚡ PRECAUCIÓN ⚡

El uso de los utensilios de cocina con fondo de gran tamaño o no plana puede causar graves (no reparables) los daños a las superficies que rodean los quemadores en espiral.

#### PARA TODOS LOS MODELOS:

#### **NO UTILICE BATERÍAS DE COCINA QUE:**

- Durante extiende la superficie de cocción.
- Toque ni hacer contacto o descansa en el área que rodea la superficie de cocción durante el uso, ya que esto transferir calor a la zona y presentar un riesgo de quemaduras.

### **AVISO:**

Daños en el aparato causados por el uso de utensilios de cocina indebido es considerado como el incumplimiento de las instrucciones escritas previstas en este manual y sin efecto la garantía que pueda estar en vigor.  
**(Ver página 33 - Garantía "Avanti Products").**

# INSTRUCCIONES DE INSTALACIÓN

## Antes de usar la compacta cocina

- Retire la envoltura interna y externa.
- Verifique para asegurarse de que tiene todas las siguientes partes:
  - **Sección Cocina**
    - 1 repisa
    - Conjunto grifo
    - Colador
    - Colador plug
    - Panel trasero o el tablero y de la asamblea tornillos
    - Manual de instrucciones
  - **Sección Frigorífico**
    - 2 repisas
    - Manual de Instrucciones
- Antes de conectar el refrigerador de su cocina compacta para la fuente de alimentación, lo dejó en posición vertical durante aproximadamente 2 horas. Esto reducirá la posibilidad de un mal funcionamiento en el sistema de refrigeración del refrigerador de la manipulación durante el transporte.
- Limpie la superficie interior con agua tibia usando un paño suave.

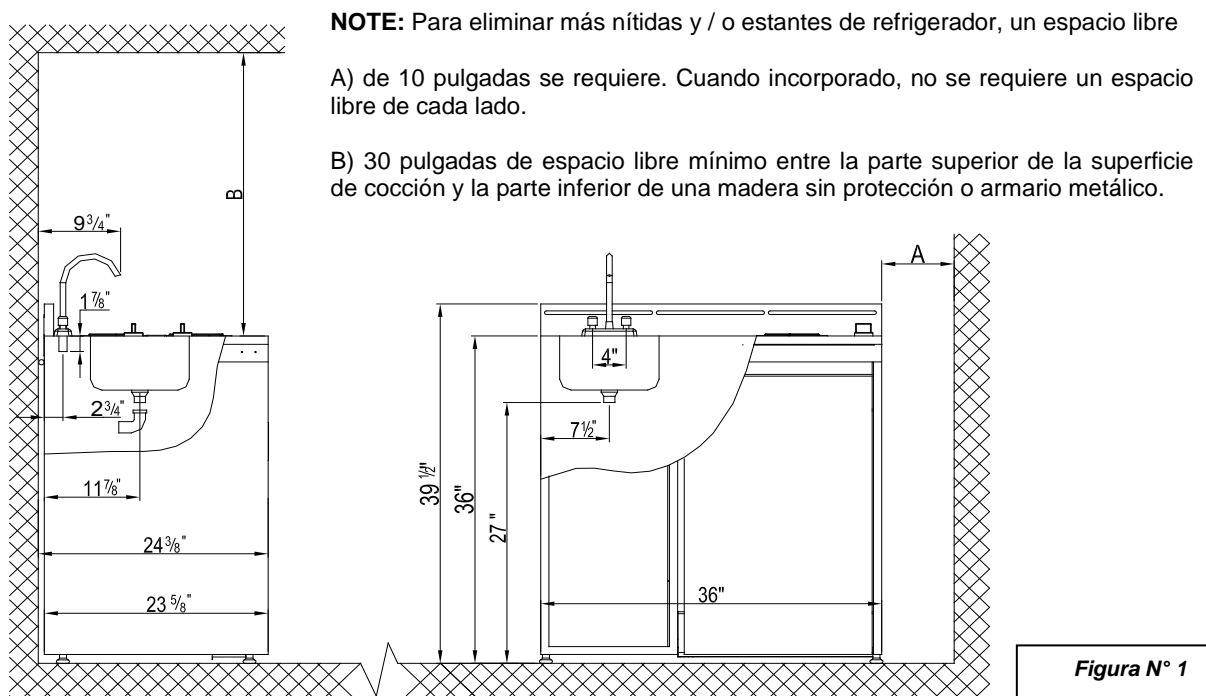
## Economía de energía

Evite dejar por mucho tiempo la puerta abierta.

Evite aperturas frecuentes de la puerta.

Coloque el botón de control de temperaturas en la posición adecuada.

## Instalación de la cocina compacta



- Para eliminar el riesgo de quemaduras o incendios al tocar superficies con calefacción, espacio

de almacenamiento en gabinetes sobre las unidades de superficie debe ser evitado. Si el almacenamiento del gabinete debe ser proporcionada, el riesgo puede reducirse mediante la instalación de una campana que se extienda horizontalmente un mínimo de 5 pulgadas más allá de la parte inferior de los gabinetes.

- Coloca el compacto de la cocina en un piso que sea lo suficientemente fuerte como para soportar su peso cuando está totalmente cargado como arriba cuadro. Para nivelar el refrigerador, ajuste las patas niveladoras en la parte inferior de la nevera.
- Para el drenaje del agua satisfactoria de la pileta, y el funcionamiento adecuado de la puerta, es importante para nivelar el aparato en ambas direcciones, usando las patas niveladoras proporcionadas en la parte inferior del armario para este propósito.
- Busque la cocina compacta a la luz solar directa y de fuentes de calor (calefacción, radiadores, etc.) La luz solar directa puede afectar a la capa de acrílico y las fuentes de calor puede aumentar el consumo eléctrico. Temperaturas ambientales extremadamente frías también pueden causar que la unidad no funcione correctamente.
- Evite colocar la unidad en áreas húmedas.
- Bajo ninguna circunstancia corte o retire la tercera pata (tierra) del cable de alimentación de su refrigerador o quemadores. Cualquier pregunta relacionada con la energía y / o puesta a tierra debe ser dirigida a un electricista certificado o un centro de servicio de Avanti Products.
- Después de conectar el aparato a la fuente de alimentación, deje que el refrigerador se enfríe durante 2-3 horas antes de la colocación de artículos en el compartimiento.

## Conexión eléctrica

### ⚡ PRECAUCIÓN ⚡

La conexión incorrecta del conductor a tierra puede resultar en riesgo de descarga eléctrica. Si el cable de alimentación de la estufa o refrigerador está dañado, hágalo cambiar por un centro de servicio de Avanti Products.

- El aparato debe ser instalado y puesto a tierra por un técnico calificado de acuerdo con el Código Eléctrico Nacional ANSI / NFPA No. 70 (última edición) y los requisitos de los códigos eléctricos locales.
- El aparato está diseñado para estar permanentemente conectados con el conducto.
- Este aparato requiere una potencia eléctrica estándar 115/120 Volt AC ~ / 60 Hz, y se conecta a un individuo circuito derivado adecuadamente a tierra, protegido por un interruptor de circuito de 15 amperios o un fusible de retardo.
- Esta unidad debe estar conectada a tierra adecuadamente para su seguridad. Los cables de la gama y potencia refrigerador del aparato están equipadas con un enchufe con conexión a tierra que está conectado con el sistema de cableado permanente a tierra.  
Bajo ninguna circunstancia corte o quite la tercera terminal de tierra de la red eléctrica. Cualquier pregunta relacionada con la energía y / o puesta a tierra debe ser dirigida a un electricista certificado o un centro de servicio de Avanti Products.
- Retire el fusible o interruptor abierto antes de comenzar la instalación.
- No intente reparar o reemplazar ninguna parte del aparato a menos que se recomiende específicamente en este manual. Cualquier otro servicio debe ser realizado por un técnico calificado.
- Para minimizar la posibilidad de una descarga eléctrica, desconecte el aparato de la fuente de alimentación A / C antes de realizar cualquier mantenimiento.
- No use cables de extensión para las conexiones de la estufa y refrigerador.

**NOTA: Apagar el aparato no se desconecta el aparato de la fuente de alimentación. Se recomienda contar con un servicio técnico cualificado de su aparato.**

### ⚡ PRECAUCIÓN ⚡

La instalación eléctrica se muestra a continuación debe ser realizado por un electricista calificado y con licencia, siguiendo todos los códigos y ordenanzas eléctricos requeridos por el Estado.



## Conexiones de la fuente de alimentación

- Preparar el cableado de acuerdo con el Código Eléctrico Nacional y / o los códigos locales y ordenanzas por parte de un electricista calificado.
- Quite la tapa de la caja de conexiones. Quite 7/8" knock-out para la conexión del conducto.
- Asegure el conducto a la caja de conexiones con un conector de conducto.
- Localice los dos cables (blanco y negro) de la unidad con extremos pelados. Utilice tuercas para cables para conectar entrante blanca a blanco y negro con negro. Conecte el cable de tierra entrante directamente al tornillo de tierra de la caja de conexiones.
- Reemplazar tapa de la caja de conexiones. Revise para asegurarse de que los cables no queden atrapados debajo de la unidad.

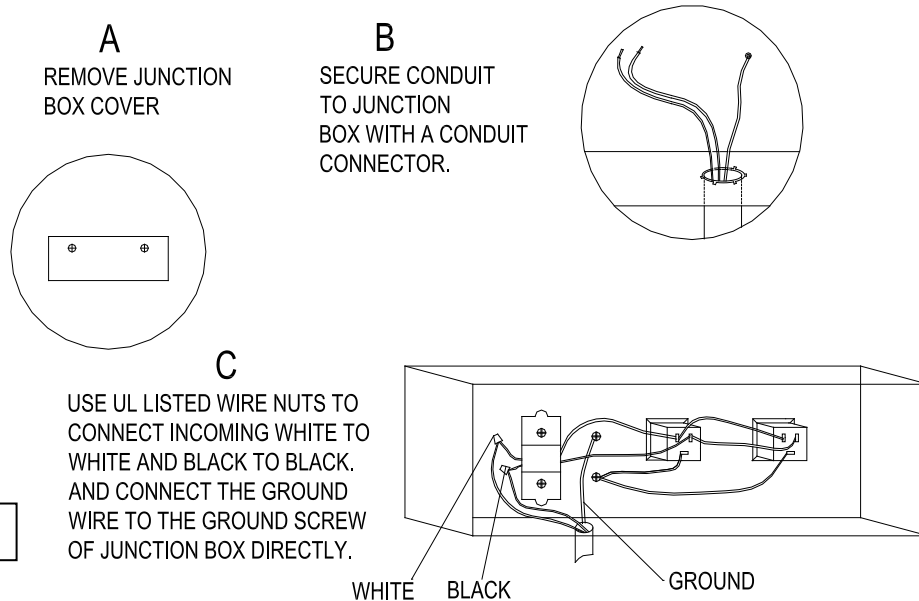


Figura No° 2

## Instalación protector contra salpicaduras (panel trasero)

Coloque el panel trasero utilizando los 3 tornillos incluidos (vea Figura 3).

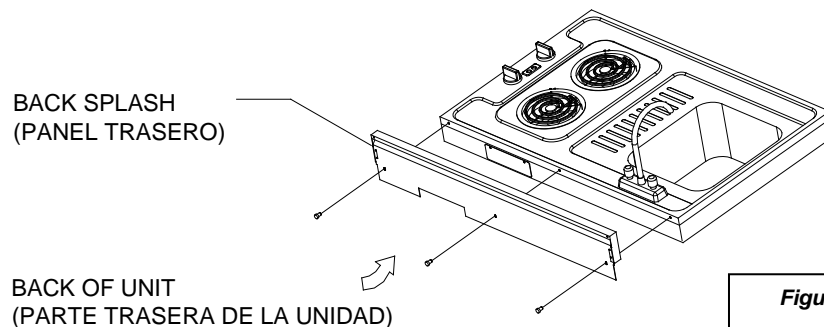


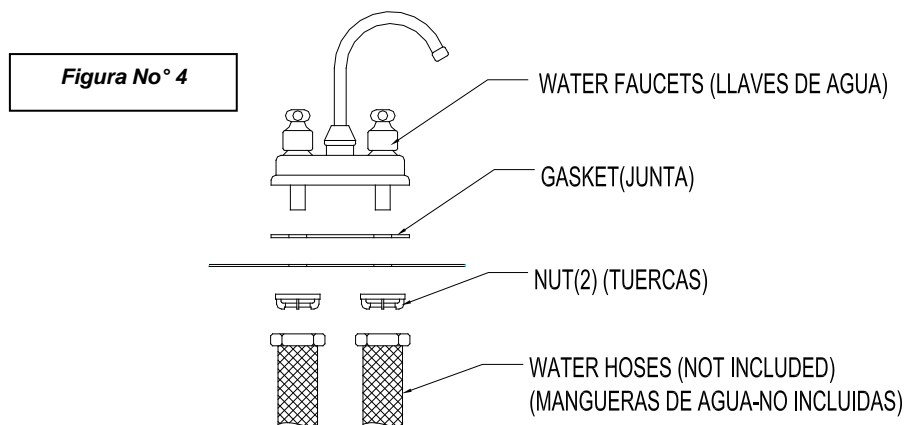
Figura No° 3

## Instalación de agua del grifo y el conducto de agua de conexión

La conexión de la fuente de agua debe ser realizada por un plomero profesional y licenciado. También debe cumplir con los códigos locales y estatales.

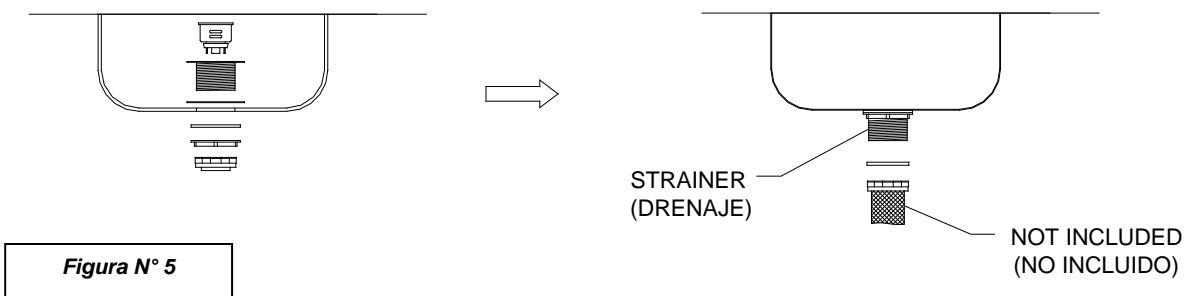
**⚡ PRECAUCIÓN ⚡**  
LA CONEXIÓN INADECUADA DE LA LÍNEA DE AGUA PUEDE RESULTAR EN INUNDACIONES.  
DEBE DE SER INSTALADA POR UN PLOMERO LICENCIADO  
REVISE ESTATALES Y LOCALES CÓDIGOS DE PLOMERÍA ANTES DE LA INSTALACIÓN.

- Cierre la llave maestra del agua.
- Instale las llaves de agua (vea figura 4).
- Conecte las mangueras de suministro de agua (no incluidas a las llaves. Primero la de agua fría, haga lo mismo con el agua caliente).



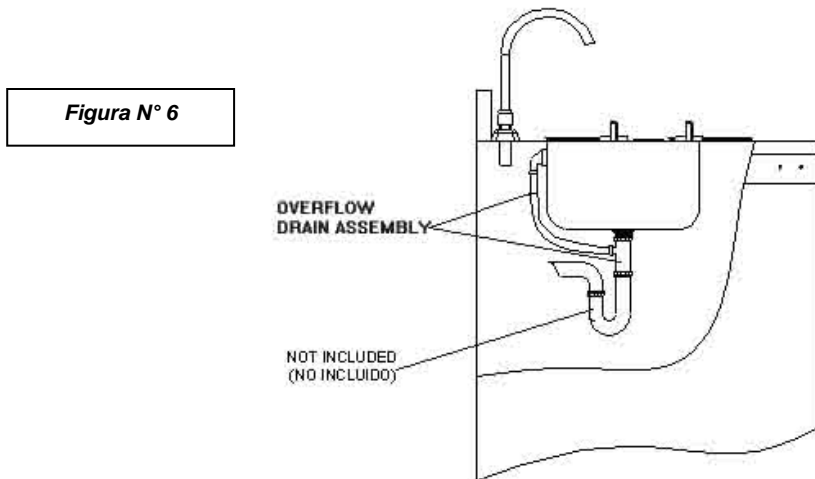
## Conexion de drenaje (fregadero)

- El filtro viene instalado de fábrica.
- Asegure el sistema de drenaje (vea Fig 5).



## Instalación de desbordamiento de drenaje línea

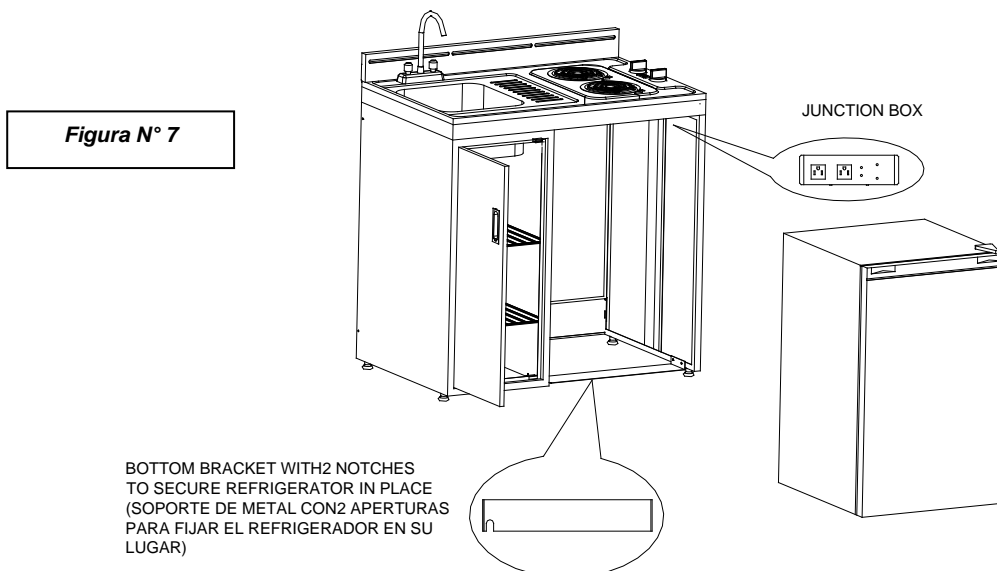
- El extremo moldeado de la fuga de residuos debe ajustarse a las conexiones en el tee de residuos y el adaptador de desbordamiento.
- Conecte el tee de residuos con adaptador de desbordamiento a la manguera de desagüe de aguas residuales y la manguera de drenaje seguro al lugar de salida de residuos y el adaptador de desbordamiento con abrazaderas. La conexión debe ser realizado por un fontanero con licencia profesional y cumplir con todos los códigos y ordenanzas locales. Ver Figura N ° 6.



## Instalación del refrigerador

**NOTA:** Su refrigerador viene equipado con su propio manual de instrucciones. Por favor, léalo antes de colocar el refrigerador en la posición que le corresponde.

- Este aparato viene equipado con su propio AC cable.
- Conecte este cable al receptáculo marcado "Fridge" en la caja eléctrica localizada debajo del gabinete superior de acero inoxidable y hacia la parte posterior.
- Mueva el refrigerador hacia el espacio designado levantándolo por la parte trasera.
- Asegúrese que el cordón no se trabe debajo del refrigerador.
- Para fijar el refrigerador en su lugar use las aperturas del soporte de metal (vea Fig 7).



# FUNCIONAMIENTO DE LA COCINA COMPACTA

## ***Funcionamiento del refrigerador***

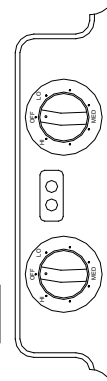
Lea las instrucciones colocadas dentro de la unidad.

## ***Funcionamiento de los quemadores***

Su compacta cocina está equipada con dos quemadores (500W y 900W de potencia de entrada). Para hacer funcionar los quemadores, simplemente oprima y gire la perilla a la posición deseada. Estos controles van desde baja a alta potencia de salida, que tiene un número de posiciones (ver Figura N° 9)

Cuando los quemadores están en funcionamiento las luces indicadoras en el panel superior de cocción se iluminará, independientemente del ajuste.

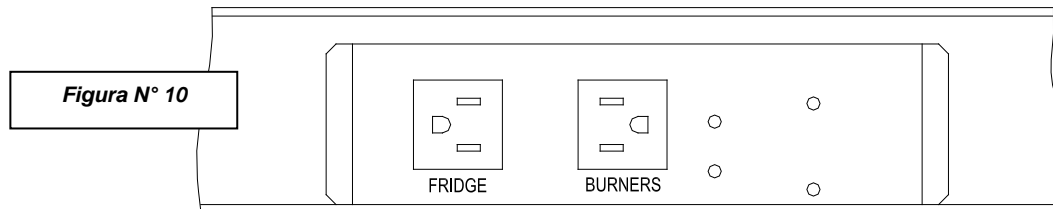
**Figure No. 9**



## ***Caja eléctrica***

Esta unidad viene equipada con una caja eléctrica (vea Fig 10) debajo del gabinete superior. La caja tiene 2 receptáculos, uno marcado "Fridge" donde se conecta el cordón del refrigerador y otro marcado "Burners" para las hornillas. Este último ya viene conectado desde la planta.

**Figura N° 10**



## CUIDADO Y MANTENIMIENTO

### ***Limpieza del cocina compacta***

- Desconecte el A/C de la caja de alimentación principal o disyuntor designado, apague la cocina compacta, asegúrese de que todas las unidades de superficie son apagado y frío antes de quitar nada, entonces eliminar todos los elementos incluidos estanterías y estante.
- Lave las superficies interiores con una solución de agua y bicarbonato de soda caliente. La solución debe ser aproximadamente 2 cucharadas de bicarbonato de sodio en un litro de agua.
- Lave los estantes y la cremallera con una solución detergente suave.
- El exterior de la cocina compacta se debe limpiar con un detergente suave y agua tibia.
- Escurra el exceso de agua de la esponja o paño cuando el área de los controles o cualquier pieza eléctrica de la limpieza.
- Lave el gabinete exterior con agua tibia y detergente líquido suave. Enjuague bien y seque con un paño suave y limpio.
- No use lana de acero o un cepillo de acero en la encimera.

### ***PRECAUCIÓN***

LA FALLA DE DESCONECTAR EL APARATO PODRÍA RESULTAR UNA DESCARGA ELÉCTRICA O LESIONES PERSONALES.

### ***Quemadores de limpieza y cuencos reflector***

- Desconecte el A/C de la caja de alimentación principal o disyuntor designado y apagar la cocina compacta para asegurarse de que los quemadores estén apagados y que se enfríe antes de retirar los quemadores y reflector convexo.
- La eliminación de los quemadores y reflector convexo de la siguiente manera:
- Levante el borde de la quemadores opuesta del receptáculo y tire suavemente hacia fuera de los receptáculos de montaje.
- Después de quitar los quemadores, los tazones de reflector se pueden levantar de sus montajes.
- Limpie los quemadores y reflector convexo con un detergente suave y agua tibia. Escurra el exceso de agua de la esponja o paño al limpiar ellos.
- Reemplace los quemadores y reflector convexo de la siguiente manera:
- Alinear a la apertura de los cuencos del reflector con el receptáculo quemadores, mantenga los quemadores de lo más nivelado posible con los terminales situados justo en el receptáculo y empuje los terminales de los quemadores "en los receptáculos.
- Cuando los terminales son empujados dentro de los receptáculos en la medida de lo que pueda, empuje hacia abajo el borde de quemadores opuestos del receptáculo.

***NOTA: No sumerja quemadores en agua o cualquier otro líquido.***

### ***Fallo de alimentación***

La mayoría de las fallas de energía son corregidas dentro de unas pocas horas y no deben afectar a la temperatura de su refrigerador si minimiza el número de veces que la puerta se abre. Si el poder va a estar fuera por un período más largo de tiempo, es necesario tomar las medidas adecuadas para proteger sus contenidos. Cuando los apagones por favor asegúrese de apagar todos los quemadores de apagado.

### ***Tiempo de vacaciones***

**Vacaciones cortas:** Deje el refrigerador de la cocina compacta funcionando durante las vacaciones de menos de tres semanas.

**Vacaciones largas:** Si el aparato no va a utilizar durante varios meses, eliminar todos los elementos y apague la fuente de alimentación. Limpie y seque bien el interior. Para evitar olores y humedad, deje la puerta levemente abierta: bloquéela de ser necesario.

### ***Moviendo su cocina compacta***

- Contar con un electricista calificado para que desconecte la alimentación eléctrica y cierre el suministro de agua.
- Utilice un plomero calificado para desconectar las conexiones de suministro de agua y conexión de drenaje de agua.
- Retire todos los artículos en el compartimiento de almacenamiento.
- Desconecte y retire el refrigerador de la cocina compacta y moverlos por separado.
- Firmemente con cinta adhesiva todos los elementos sueltos (estantes y cestos) dentro de su compacto Cocina Compartimiento y refrigerador.
- Gire las patas ajustables hasta la base para evitar daños.
- Pegue la puerta cerrada.
- Asegúrese de que la cocina y refrigerador compacto estancia segura en posición vertical durante el transporte. Proteger También fuera de la cocina y el refrigerador compacto con una manta, o un elemento similar.

## GUÍA DE SOLUCIÓN DE PROBLEMAS

### *Irregularidades con el funcionamiento del refrigerador*

PROBLEMA	CAUSAS PROBABLES	SOLUCION
El refrigerador no funciona.	Falta de energía. Tomacorriente defectuoso. Control de temperaturas en la posición " O ". Enchufe desconectado.	Verifique el fusible. Substitúyalo o arréglelo. Girar el botón en la posición correcta. Conéctelo.
La refrigeración es insuficiente.	Botón de control de temperatura en la posición incorrecta. Elevada frecuencia de apertura de la puerta.	Observe las instrucciones.  Evite abrir la puerta demasiado.
Ruidos anormales.	Expansión del gas en el evaporador. Tubos en contacto con gabinetes o paredes.	Normal.  Aléjelos.
El refrigerador no funciona		Enchufe el cordón del refrigerador en la caja eléctrica a la posición marcada "Fridge".

### *Irregularidades con el funcionamiento de las hornillas*

PROBLEMA	CAUSAS PROBABLES	SOLUCION
Olor a quemado	Acumulación de residuo de alimentos en las hornillas	Limpie las hornillas
Las hornillas no encienden	La unida esta desconectada adentro.	Enchufe el cordón de las hornillas en la caja eléctrica.
Solamente un elemento se calienta.	El control de temperatura para la hornilla correspondiente no está encendido.	Seleccione el control de temperatura que le corresponde.
Nada funciona	Todos los cordones están desconectados.  Fusible defectuoso.	La unidad no está conectada al enchufe de la pared. La caja eléctrica tiene los receptáculos abiertos. Reemplazar fusible.

## SERVICIO DE LA COCINA COMPACTA

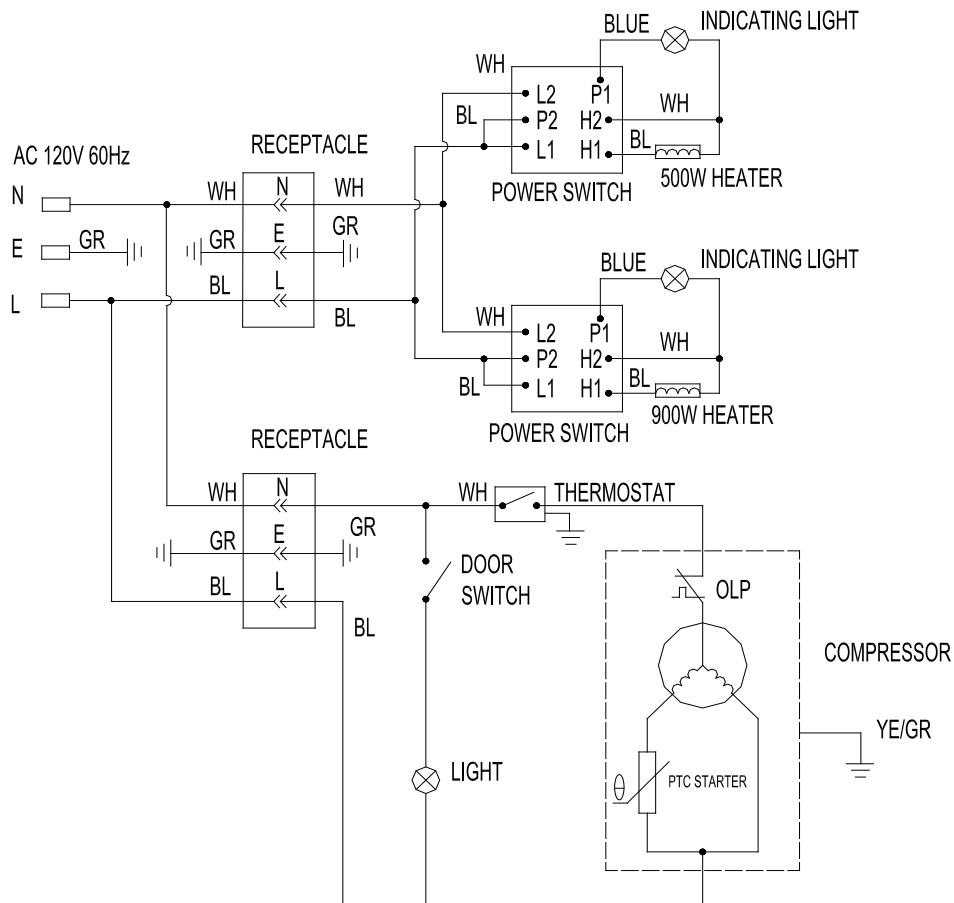
Estamos orgullosos de nuestra organización de servicio al cliente y la red de técnicos de servicios profesionales que prestan servicio en sus Avanti Productos electrodomésticos. Con la compra de su Avanti Products dispositivo, puede estar seguro de que si alguna vez necesita información o asistencia adicional, el equipo de Servicio al Cliente de Avanti Products estará aquí para usted. Sólo tiene que llamar al número gratuito.

### Servicio al Cliente del Avanti Products

<p>Información sobre el producto 800-323-5029</p>	<p>Lo que sus preguntas son acerca de nuestros productos, la ayuda está disponible.</p>
<p>Pedidos de piezas 800-220-5570</p>	<p>Usted puede pedir piezas y accesorios que serán entregados directamente a su casa con un cheque personal, giro postal, Master Card, o Visa.</p>
<p>Servicio de reparación en casa 800-220-5570</p>	<p>Un centro de servicio autorizado de Avanti Products proporcionará el servicio de reparación de expertos, prevista en un momento que sea conveniente para usted. Nuestros técnicos conocen Cocina compacta dentro y por fuera.</p>

## ESQUEMA DE CABLEADO

(La cocina completa)





## GARANTÍA "AVANTI PRODUCTS"

Grapa aquí su recibo de compra.

Se necesita un comprobante de fecha de compra original para obtener servicio bajo garantía.

### QUÉ ESTÁ CUBIERTO LIMITADA DE UN AÑO GARANTÍA

Durante un año a partir de la fecha de compra por el propietario original, Avanti Products será, a su opción, reparará o reemplazará cualquier parte de la unidad, que resulta ser defectuosa en material o mano de obra bajo condiciones normales de uso. Durante este período de Avanti Products proporcionará todas las piezas y mano de obra necesarias para corregir tales defectos de forma gratuita, siempre y cuando la unidad se ha instalado y operado de acuerdo con las instrucciones escritas en este manual. En uso de alquiler o comercial, el período de garantía es de 90 días. Avanti Products le proporcionará un producto de reemplazo similar que sea nuevo o restaurado de fábrica. Todos los electrodomésticos Avanti de 4.0 pies cúbicos de capacidad o menos deben ser llevados / enviado al taller de servicio del aparato para su reparación.

### SEGUNDO AL QUINTO AÑO GARANTÍA LIMITADA

Para el segundo y hasta el quinto año a partir de la fecha de compra original, Avanti Products proporcionará un compresor de reemplazo de forma gratuita debido a un fallo. Usted es responsable de las cargas de trabajo y de carga de servicio. En uso de alquiler o comercial, la garantía limitada del compresor es de un año y nueve meses. Costo para mover la unidad a la tienda de los administradores 'y de vuelta a la casa del usuario, según se requiera, son responsabilidad del usuario.

### QUÉ NO ESTÁ CUBIERTO

- Las pérdidas de contenido de los alimentos debido a su deterioro.
- Daños incidentales o consecuentes.
- Las piezas y mano de obra para los siguientes no serán consideradas como garantía:
- Muelles de puerta, y / o marcos.
- Los paneles interiores de las puertas, rieles de puertas y / o soportes de las puertas.
- Las bombillas y / o caja de plástico.
- Revestimientos del armazón de plástico.
- Evaporador pinchada que anula la garantía del sistema de sellado completo.
- Los gastos de envío asociados a la sustitución de la unidad.
- Las reparaciones realizadas por administradores no autorizados.
- Las llamadas de servicio que no implican defectos en los materiales o mano de obra, tales como la educación del cliente, de inversión de puerta, o una instalación adecuada.
- Las llamadas de servicio que están relacionados con los problemas externos, tales como abuso, mal uso, suministro eléctrico inadecuado, accidentes, incendios, inundaciones o actos de Dios.
- Costos adicionales que incluyen, pero sin limitarse a, cualquier hora, después de fin de semana, o llamadas de servicio de días feriados, peajes, tarifas de transporte o gastos de kilometraje para llamadas de servicio en áreas remotas, incluyendo el estado de Alaska.
- Reemplazo de fusibles de su hogar o interruptores automáticos de reposición.
- Fallas del producto si se utiliza para otra cosa que los fines previstos.
- Esta garantía no se aplica fuera de EE.UU. Continental.

## TABLE DES MATIÈRES

AIDEZ-NOUS À VOUS AIDER...	35
PIÈCES ET CARACTÉRISTIQUES	36
CONSIGNES DE SÉCURITÉ IMPORTANTES	37
INSTRUCTIONS POUR L'INSTALLATION ÉLECTRIQUE	38
INSTRUCTIONS D'INSTALLATION	39
<i>Avant d'utiliser votre cuisine compacte</i>	39
<i>Économiser de l'énergie</i>	39
<i>Installation de la cuisine compacte</i>	39
<i>Connexion électrique</i>	40
<i>Connexion de l'alimentation</i>	41
<i>Installation du dosseret</i>	41
<i>Robinet installation et le raccordement de conduites d'eau</i>	42
<i>Installation de la passoire d'évier et du drain d'eau</i>	42
<i>Installation du drain de débordement</i>	43
<i>Installation du réfrigérateur</i>	43
UTILISATION DE VOTRE CUISINE COMPACTE	44
<i>Fonctionnement du réfrigérateur</i>	44
<i>Fonctionnement des brûleurs</i>	44
<i>Mode d'utilisation de la connexion électrique</i>	44
ENTRETIEN ET MAINTENANCE	45
<i>Nettoyage de la cuisine compacte</i>	45
<i>Nettoyage des brûleurs et des bols réflecteurs</i>	45
<i>Panne de courant</i>	45
<i>Période de vacances</i>	45
<i>Déplacement la cuisine compacte</i>	46
GUIDE DE DÉPANNAGE	47
SERVICE DE LA CUISINE COMPACTE	48
DIAGRAMME ÉLECTRIQUE	48
GARANTIE "AVANTI PRODUCTS"	49
ENGLISH INSTRUCTIONS	2-17
INSTRUCCIONES EN ESPAÑOL	18-33
ENREGISTREMENT DE LA GARANTIE	53

---

## AIDEZ-NOUS À VOUS AIDER...

**Lisez attentivement le présent guide d'utilisation.**

Il a été conçu pour vous aider à utiliser et à entretenir votre nouvel appareil.

Conservez-le à portée de la main pour vous y référer au besoin. Si quelque chose vous échappe ou que vous avez besoin de renseignements supplémentaires, écrivez-nous à :

**Service à la clientèle Avanti**  
**877-676-6447 (Français)**  
**800-220-5570 (Anglais)**

Conservez une preuve originale de la date d'achat (tel que le reçu de caisse) avec le présent guide afin de pouvoir établir la période de garantie.

<p><b>ATTENTION!</b> LE REFRIGERATEUR N'EST PAS CONÇU POUR L'ENTREPOSAGE DE MÉDICAMENTS OU DE TOUT AUTRE PRODUIT PHARMACEUTIQUE.</p>
--

**Inscrivez les numéros de modèle et de série.**

Vous les trouverez sur un autocollant situé à l'arrière de l'appareil.

Veillez inscrire ces numéros ci-dessous :

\_\_\_\_\_

Date d'achat

\_\_\_\_\_

Numéro de modèle

\_\_\_\_\_

Numéro de série

Indiquez ces numéros dans toute correspondance ou lors de tout appel de service concernant votre appareil.

Si vous avez reçu un appareil endommagé, avisez-en immédiatement le détaillant qui vous a vendu le cellier.

Économisez temps et argent. Avant de faire appel à nos services, vérifiez la liste des problèmes de fonctionnement mineurs faciles à résoudre dressée dans le présent guide.

### ***Pour toute assistance***

Nous sommes fiers de notre service et désirons votre entière satisfaction. Si, pour une quelconque raison, vous n'êtes pas satisfaits du service, voici quelques étapes à suivre pour obtenir une aide supplémentaire.

Tout d'abord, communiquez avec le service de réparation avec lequel vous avez fait affaire. Expliquez les raisons de votre insatisfaction. Dans la plupart des cas, cela résoudra le problème.

Ensuite, si vous n'êtes toujours pas satisfait, consignez tous les détails par écrit, accompagnés de votre numéro de téléphone, et envoyez-les à :

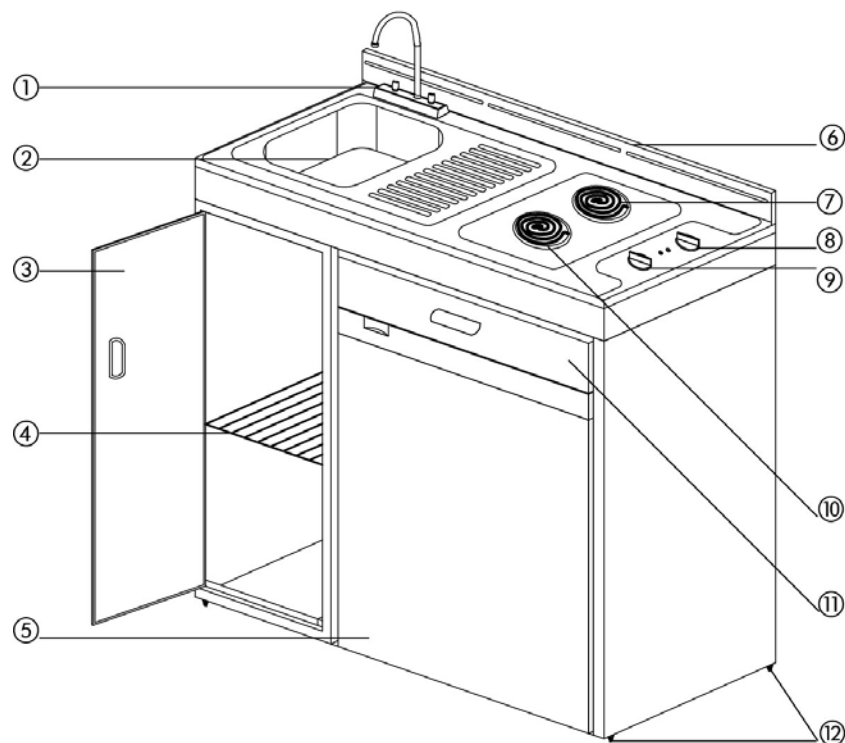
#### **En français:**

**Avanti - Service à la clientèle**  
4575 boul. Sir Wilfrid Laurier  
Saint-Hubert, QC, Canada  
J3Y 3X3

#### **En anglais:**

**Avanti Products - Customer Service**  
10880 NW 30th Street  
Miami, FL, USA  
33172

## PIÈCES ET CARACTÉRISTIQUES



1	ROBINET
2	ÉVIER
3	PORTE D'ARMOIRE
4	TABLETTE
5	RÉFRIGÉRATEUR
6	DOSSERET
7	BRÛLEUR ARRIÈRE (500 WATTS)
8	BOUTON INTERRUPTEUR DU BRÛLEUR
9	BOUTON INTERRUPTEUR DU BRÛLEUR
10	BRÛLEUR AVANT (900 WATTS)
11	TIROIR
12	PATTES AJUSTABLES

## CONSIGNES DE SÉCURITÉ IMPORTANTES

### ⚡ AVERTISSEMENT ⚡

Pour diminuer les risques d'incendie, d'électrocution ou d'accident pendant l'utilisation de votre cuisine-compacte, veuillez suivre les mesures de sécurité suivantes :

### **Cette unité est à usage intérieur uniquement - CONSERVEZ CES INSTRUCTIONS -**

- Veuillez lire toutes les instructions avant d'utiliser l'appareil.
- **DANGER ou AVERTISSEMENT** : Les risques d'enfermement ou de suffocation pour les enfants demeurent une réalité. Les appareils abandonnés ou jetés demeurent un danger, même s'ils ne sont placés dans le garage que pour quelques jours.
- **Avant de jeter votre ancien appareil**, enlevez les portes et laissez les tablettes à leur place afin que les enfants ne puissent pas se glisser facilement à l'intérieur.
- Ne laissez pas d'enfants jouer avec l'appareil.
- Ne nettoyez jamais les pièces de l'appareil avec des liquides inflammables. Les vapeurs provoquées par ces liquides risquent de déclencher un incendie ou une explosion dangereuse.
- Ne placez pas l'appareil près d'essence ou de tout autre produit liquide ou gazeux inflammable. La fumée que ces produits dégagent pourrait déclencher un incendie ou une explosion dangereuse.

### **Installation appropriée**

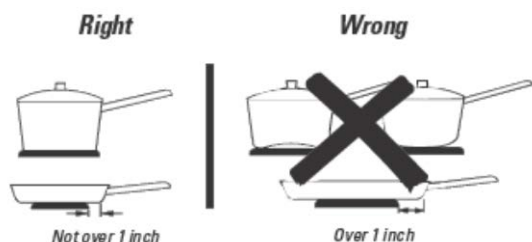
- S'assurer que l'appareil est correctement installé, conformément aux instructions du fabricant.
- N'utilisez jamais votre appareil pour réchauffer ou chauffer la pièce.
- Ne pas laisser les enfants seuls: Les enfants ne doivent pas être laissés seuls ou sans surveillance dans la zone où l'appareil est en cours d'utilisation. Ils ne devraient jamais être autorisés à s'asseoir ou se tenir sur une partie quelconque de l'appareil.
- Portez des vêtements appropriés: Des vêtements amples ou détachés ne doivent jamais être portés pendant l'utilisation de l'appareil.
- Entretien par l'utilisateur: Ne pas réparer ou remplacer toute pièce de l'appareil à moins d'une recommandation précise dans le manuel. Toutes les autres réparations doivent être confiées à un technicien qualifié.
- Stockage dans ou sur l'appareil: Des matériaux inflammables ne doivent pas être stockés dans l'unité.
- Ne pas utiliser d'eau sur un feu de graisse. Éteindre le feu ou les flammes ou utiliser un produit chimique sec ou un extincteur à mousse.
- Utiliser des mitaines de four sèches - Des mitaines de four humides sur des surfaces chaudes peuvent causer des brûlures par la vapeur. Ne pas laisser les mitaines de four toucher les éléments chauffants. Ne pas utiliser une serviette ou un tissu épais.
- Utilisez des ustensiles de bonne taille. Cet appareil est équipé d'une ou plusieurs ronds de différentes grandeurs. Choisissez des ustensiles à fond plat assez grand pour couvrir l'élément chauffant de surface. L'utilisation d'ustensiles trop petits exposera une partie de l'élément chauffant à un contact direct et peut provoquer l'inflammation des vêtements. L'utilisation d'ustensiles de brûleur améliore aussi le rendement.
- Ne laissez jamais l'appareil sans surveillance à des réglages élevés de cuisson. Faire trop bouillir pourrait générer des déversements graisseux pouvant s'enflammer.
- Assurez-vous que les réflecteurs ou les cuvettes sont en place. L'absence de ces cuvettes au cours de la cuisson peut endommager le câblage ou les composants en dessous.
- Revêtements de protection: N'utilisez pas de papier d'aluminium pour recouvrir la surface des cuvettes sauf si suggéré dans le manuel. Une mauvaise installation de ces revêtements peut entraîner un risque d'électrocution ou d'incendie.
- Revêtements des ustensiles de cuisine: Seuls certains types de verre, verre/céramique, céramique, terre cuite, ou autres ustensiles émaillés peuvent être utilisés pour la cuisson, sans bris attribuables aux changements soudains de température.
- Les poignées des ustensiles doivent être tournées vers l'intérieur et non vers le dessus des éléments adjacents. Pour réduire les brûlures, inflammation de matériaux inflammables et de renversements dus à un contact involontaire avec un ustensile, la poignée doit être positionnée de sorte qu'elle est tournée vers l'intérieur, et ne s'étend pas sur les unités de surface adjacentes.

- Ne pas faire tremper les éléments chauffants amovibles. Les éléments de chauffage ne doivent jamais être immergés dans l'eau.
- Attention: Ne pas stocker des objets pouvant intéresser les enfants dans les armoires au-dessus de la cuisinière ou sur le dossier. Les enfants grimpants sur la cuisinière pour atteindre ces objets pourrait être gravement blessé.
- Ne pas toucher les unités de surface ou les zones près des éléments. Les éléments chauffants peuvent être chauds même s'ils sont de couleur foncée. Les zones près des éléments chauffants peuvent devenir assez chaudes pour causer des brûlures. Pendant et après l'utilisation, ne laissez pas les vêtements ou autres matériaux inflammables entrer en contact avec les éléments chauffants ou les zones près des éléments avant qu'ils aient eu le temps de refroidir.
- Lors du remplacement de votre robinet, pour des raisons de sécurité, n'utilisez pas un bec de plus de 150 mm (6 ").

## INSTRUCTIONS POUR L'INSTALLATION ÉLECTRIQUE

L'installation électrique ci-dessous doit être effectuée par un électricien qualifié et autorisé, auprès de tous les codes électriques et les ordonnances requises par l'État ou la province.

- Sélectionnez une source d'alimentation conçu pour être utilisé spécifiquement pour cet appareil.
- Assurez-vous que la prise de courant et le disjoncteur désigné sont éteint.
- Attacher et sécuriser le conduit au trou de la boîte de jonction.
- Vous devez vous assurer que le conduit est assez long pour atteindre de la boîte de jonction de l'unité à partir de la source d'alimentation sélectionnée.
- Enlevez le couvercle de la boîte de jonction pour relier l'extrémité dénudée des fils des récipients de la boîte de jonction. Veuillez suivre les codes de couleurs des fils pour vous assurer qu'il sont correctement mis à la terre.
- A l'autre extrémité, relier tous les fils à la source d'alimentation et assurer le conduit à la prise de courant en faisant en sorte que les couleurs des fils sont les mêmes durant la connexion.
- Installer ou replacer la plaque de couverture de la boîte de jonction et allumez l'alimentation de la source ou du disjoncteur.
- Installez ensuite le cordon d'alimentation du réfrigérateur et les brûleurs à la boîte de jonction de l'appareil.



### TAILLE ADÉQUATE DE LA CASSEROLE

Cet appareil est équipé d'éléments chauffant en serpentins de taille standard.

Utiliser des ustensiles à fond plat assez grand pour couvrir complètement la surface de cuisson. Les ustensiles de cuisine choisis ne doit pas dépasser de plus de 1" la bordure des serpentins.

## ⚠ WARNING ⚠

L'utilisation d'ustensiles de cuisine à fond surdimensionné ou non plat peut causer des dommages (non réparable) les surfaces entourant les brûleurs.

### POUR TOUS LES MOÈLES:

#### NE PAS UTILISER D'USTENSILES DE CUISINE :

- Qui s'étend sur la surface de cuisson.
- Qui touche, entre en contact ou repose sur les environs surface de cuisson lors de l'utilisation car le transfert de chaleur dans la région peut représenter un risque de brûlure ou d'incendie.

### AVIS:

Tout dommages à votre appareil causés par l'utilisation d'ustensiles de cuisine inappropriée est considéré comme non-respect des instructions écrites de ce manuel et annulera toute garantie qui peut être en effet.

**(Voir page 49 - Garantie "Avanti Products")**

# INSTRUCTIONS D'INSTALLATION

## Avant d'utiliser votre cuisine compacte

- Retirez l'emballage extérieur et l'intérieur.
- Assurez-vous que vous disposez de tous les éléments suivants:
  - **Section Cuisine**
    - 1 tablette
    - Ensemble de robinetterie
    - Passoire d'évier
    - Crépine d'évier
    - Dosseret et vis d'assemblage
    - Mode d'emploi
  - **Section Réfrigérateur**
    - 2 tablettes
    - 1 bac avec couvercle en verre
    - Mode d'emploi
- Avant de brancher le réfrigérateur de votre cuisine compacte à la source d'alimentation, veuillez le laisser en position verticale pendant **environ 2 heures**. Cela permettra de réduire la possibilité d'une anomalie dans le système de refroidissement du réfrigérateur lors de la manutention ou pendant le transport.
- Nettoyez la surface intérieure avec de l'eau tiède avec un chiffon doux.

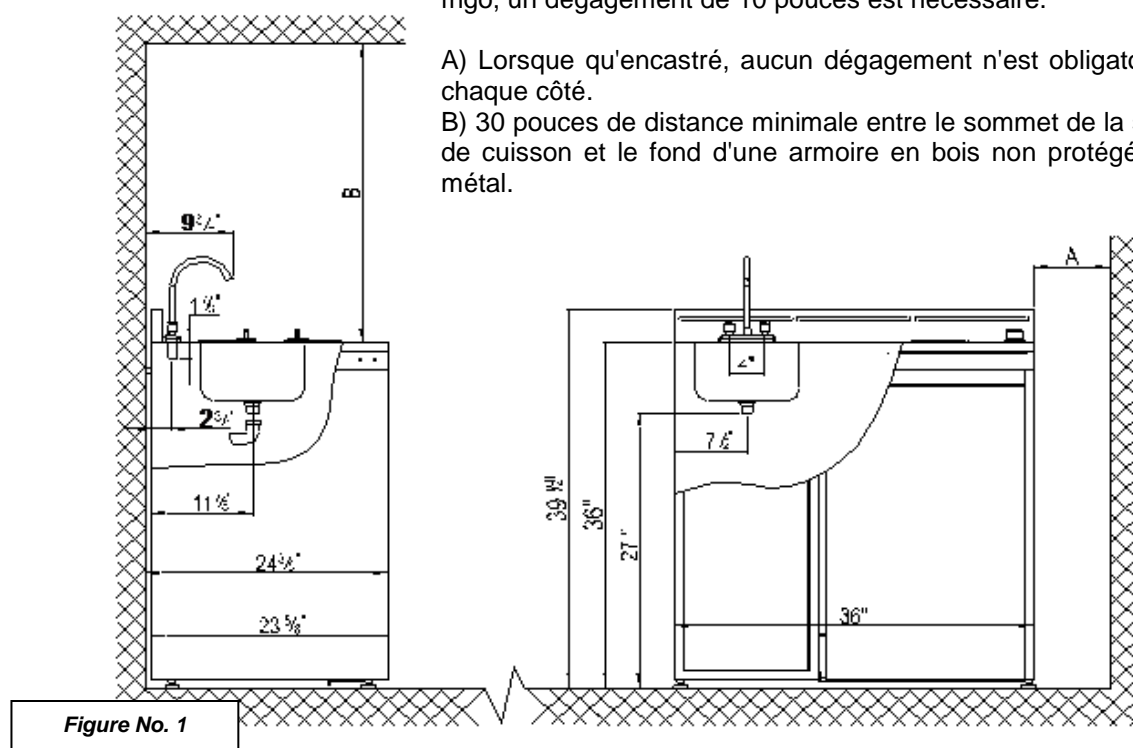
## Économiser de l'énergie

La cuisine compacte devrait être située dans la zone la plus fraîche de la pièce, loin des appareils produisant de la chaleur, et de la lumière directe du soleil.

## Installation de la cuisine compacte

NOTE: Pour enlever le bac à légumes et/ou des étagères de frigo, un dégagement de 10 pouces est nécessaire.

- A) Lorsque qu'encasté, aucun dégagement n'est obligatoire sur chaque côté.
- B) 30 pouces de distance minimale entre le sommet de la surface de cuisson et le fond d'une armoire en bois non protégé ou en métal.



- Afin d'éliminer le risque de brûlures ou d'incendie en se penchant sur les éléments chauffant, évitez de placer un espace de rangement au-dessus de l'unité. Si une armoire de rangement doit être installée, le risque peut être réduit en installant une hotte de cuisinière qui projette horizontalement sur un minimum de 5 pouces au-devant des armoires.
- Placez votre cuisine compacte sur un plancher qui est assez solide pour le supporter quand il est complètement chargé. Ajuster les pieds de nivellement au bas du réfrigérateur pour le mettre à niveau.
- Pour un drainage satisfaisant de l'eau de l'évier et le fonctionnement correct de la porte, il est important de stabiliser l'appareil dans les deux sens, en utilisant les vis de réglage prévus à cet effet sur le fond de l'armoire.
- Localisez la cuisine compacte à l'abri du soleil et des sources de chaleur (chauffage, radiateur, etc.) la lumière directe du soleil peut affecter le revêtement acrylique et sources de chaleur peut augmenter la consommation électrique. Des températures ambiantes extrêmement froides peuvent aussi causer des problèmes de fonctionnement.
- Évitez de placer l'appareil dans les zones humides.
- En aucun cas couper ou enlever la troisième fiche du cordon d'alimentation de votre réfrigérateur ou des brûleurs. Toutes les questions concernant la puissance et / ou mise à la terre doivent être adressées à un électricien certifié ou un centre de service autorisé de produits Avanti.
- Après avoir connecté l'appareil à l'alimentation, laissez le réfrigérateur pour refroidir pendant 2-3 heures avant d'y placer des aliments.

## **Connexion électrique**

### **⚡ ATTENTION ⚡**

Une mauvaise connexion de la mise à la terre peut entraîner un risque de choc électrique. Si le cordon d'alimentation des éléments ou du réfrigérateur est endommagé, veuillez le faire remplacer par un centre de service autorisé de produits Avanti.

- L'appareil doit être installé et mis à la terre par un technicien qualifié, conformément à la National Electrical Code ANSI / NFPA n ° 70 (dernière édition) et les exigences locales de code de l'électricité.
- L'appareil est conçu pour être connecté en permanence avec le conduit.
- Cet appareil nécessite une alimentation électrique de 115/120 volts CA ~ / 60Hz standard, et reliée à un circuit de dérivation à la terre, protégé par un disjoncteur de 15 ampères circuit ou à un fusible de retardement.
- Cet appareil doit être correctement mis à la terre pour votre sécurité. Le cordon d'alimentation de la table de cuisson et du réfrigérateur sont équipés d'une fiche mise à la terre, qui est relié au système de câblage permanent à la terre.
- En aucun cas couper ou enlever la troisième fiche du cordon d'alimentation de votre réfrigérateur ou des brûleurs. Toutes les questions concernant la puissance et / ou mise à la terre doivent être adressées à un électricien certifié ou un centre de service autorisé de produits Avanti.
- Retirer le fusible ou le disjoncteur circuit ouvert avant de commencer l'installation.
- Ne tentez pas de réparer ou de remplacer toute pièce de l'appareil à moins qu'il ne soit spécifiquement recommandé dans ce manuel. Toutes les autres réparations doivent être confiées à un technicien qualifié.
- Pour réduire le risque de choc électrique, débranchez l'appareil de l'alimentation avant l'entretien.
- Ne pas utiliser de rallonges pour les connexions de la table de cuisson et du réfrigérateur.

**NOTE: La désactivation de l'appareil ne coupe pas l'appareil de l'alimentation électrique. Nous vous recommandons d'avoir un service de technicien qualifié de votre appareil.**

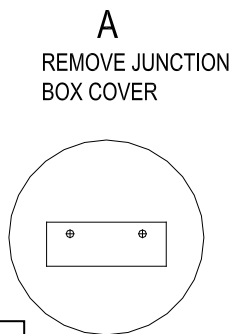


## ⚡ ATTENTION ⚡

L'installation électrique ci-dessous doit être effectuée par un électricien qualifié et autorisé, après tous les codes électriques et les ordonnances requises par l'État.

### Connexion de l'alimentation

- Préparer le câblage par un électricien qualifié conformément au Code national de l'électricité et / ou aux codes locaux et ordonnances.
- Retirer le couvercle du boîtier de jonction. Retirer le KO de 7/8" pour le raccordement de la conduite.
- Assurez le conduit à la boîte de jonction avec un connecteur de conduit.
- Repérez les deux fils (blanc et noir) de l'unité avec extrémités dénudées. Utiliser des écrous de fil pour se connecter le blanc entrant à blanc et le noir au noir. Connectez le fil de terre entrant directement à la mis à la terre de la boîte de jonction.
- Replacer le couvercle de la boîte de jonction. Assurez-vous que les fils ne sont pas coincés sous l'appareil.



**B**  
SECURE CONDUIT  
TO JUNCTION  
BOX WITH A CONDUIT  
CONNECTOR.

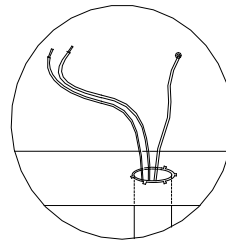
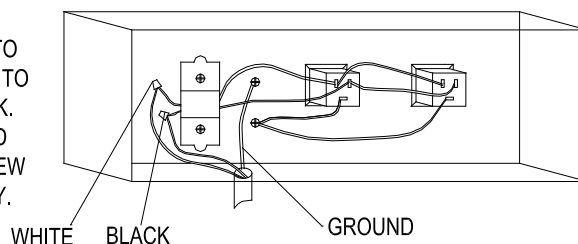


Figure No. 2

**C**  
USE UL LISTED WIRE NUTS TO  
CONNECT INCOMING WHITE TO  
WHITE AND BLACK TO BLACK.  
AND CONNECT THE GROUND  
WIRE TO THE GROUND SCREW  
OF JUNCTION BOX DIRECTLY.



### Installation du dosseret

Installer le dosseret de l'armoire de cuisine comme le montre la figure n ° 3.

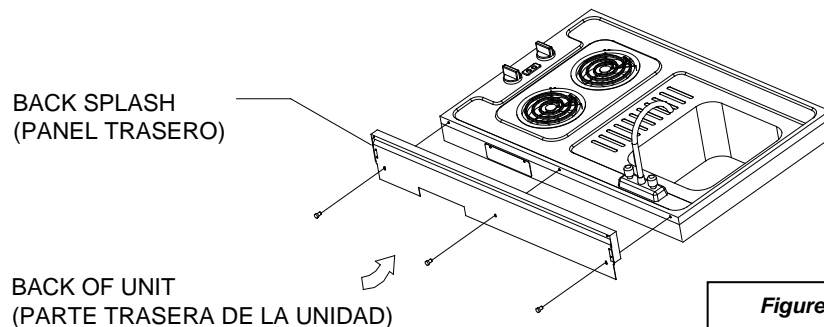


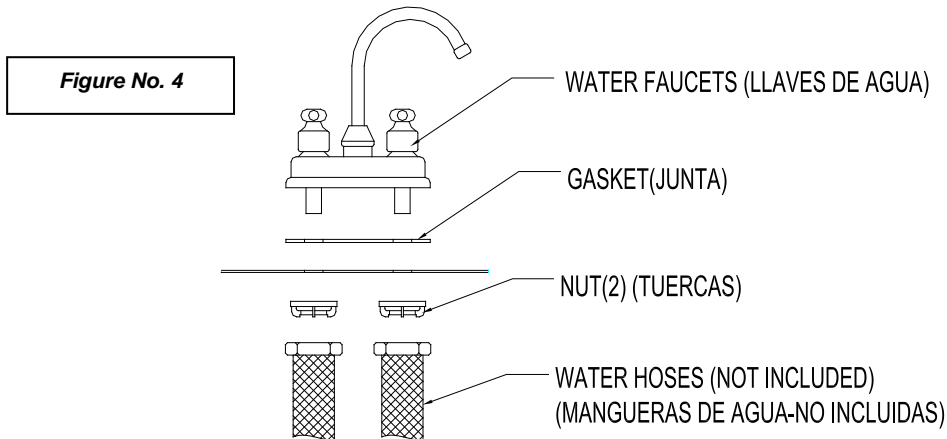
Figure No. 3

### Robinet installation et le raccordement de conduites d'eau

Le raccordement à l'alimentation en eau doit être effectuée par un plombier professionnel et se conformer à tous les codes et règlements locaux.

### ⚡ ATTENTION ⚡

Une mauvaise connexion de la ligne d'eau peut entraîner une inondation. Vous devez utiliser un plombier certifié. Voir les codes de plomberie provinciaux et locaux avant l'installation.

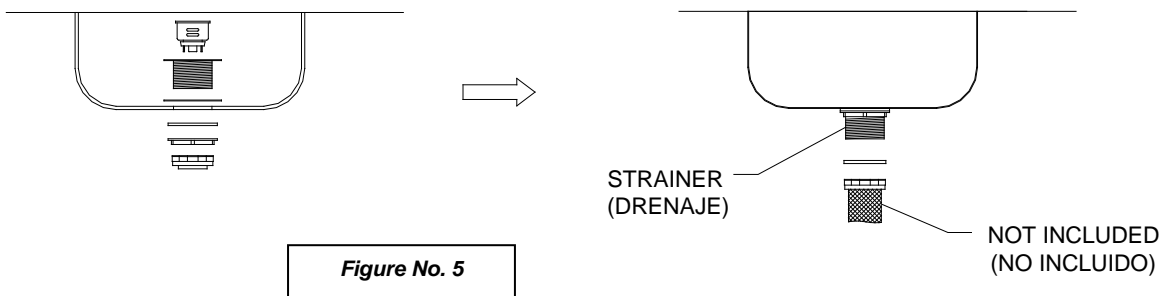


- Coupez l'alimentation de l'eau.
- Installez le robinet d'eau comme l'image ci-dessus.
- Branchez les tuyaux d'alimentation en eau au robinet en faisant correspondre l'eau froide au froid et l'eau chaude au chaud. N'étirez pas le tuyau d'alimentation en eau. Si le tuyau est trop court, remplacez le avec un tuyau à haute pression plus long.

### **Installation de la passoire d'évier et du drain d'eau**

La connexion de l'eau à l'évier doit être effectuée par un plombier professionnel et de se conformer à tous les codes et règlements locaux.

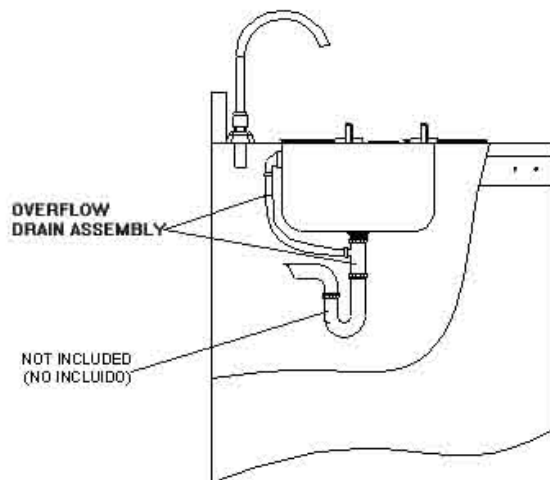
- La passoire d'évier est déjà pré-assemblée en usine.
- Sécuriser le système d'évacuation d'eau de la crépine d'évier comme indiqué ci-dessous.



## Installation du drain de débordement

- L'extrémité moulé du drain de débordement doit répondre correspondre aux connexions sur l'adaptateur du tee de vidange et de débordement.
- Connectez le tee du drain de débordement à l'adaptateur au tuyau d'évacuation.
- Fixer le tuyau d'évacuation de la pièce en T et l'adaptateur au tuyau d'évacuation avec des pinces
- Le raccordement doit être effectué par un plombier professionnel et de se conformer à tous les codes et règlements locaux. Voir Figure n ° 6.

Figure No. 6

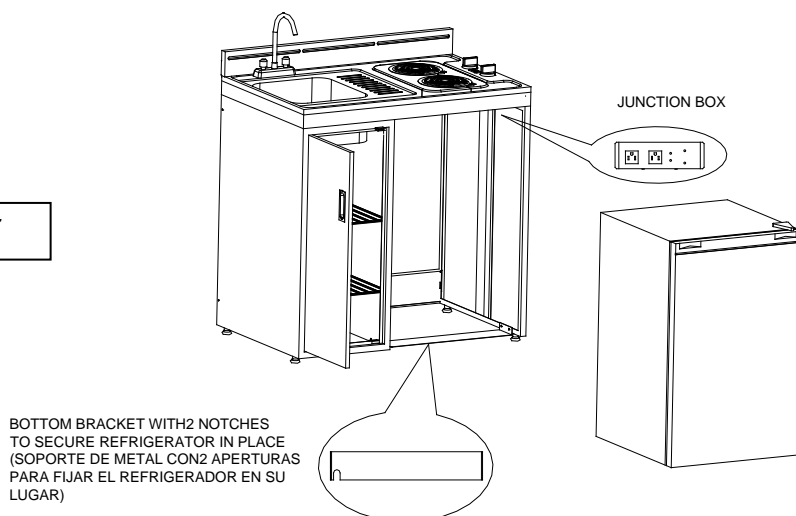


## Installation du réfrigérateur

**Note: le réfrigérateur est livré avec un mode d'emploi séparé. S'il vous plaît le lire avant l'installation finale de votre cuisine compacte.**

- Couper l'alimentation. Si vous ne débranchez l'appareil, cela pourrait entraîner un choc électrique ou des blessures.
- Branchez le cordon d'alimentation du réfrigérateur à la prise dans la boîte de jonction située sous le comptoir à l'arrière de la cuisine compacte comme le montre la figure n° 7.
- Faites glisser le réfrigérateur dans l'armoire de cuisine en soulevant légèrement la partie arrière du réfrigérateur. Assurez-vous que le cordon d'alimentation n'est pas plié ou endommagé sous le réfrigérateur.
- Sécuriser les patte ajustables de mise à niveau du réfrigérateur en utilisant les encoches de pédalier comme le montre la figure n° 7.

Figure No. 7



## UTILISATION DE VOTRE CUISINE COMPACTE

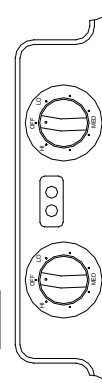
### **Fonctionnement du réfrigérateur**

Le réfrigérateur est livré avec un manuel d'instruction séparé. Veuillez lire les détails sur la façon d'utiliser le réfrigérateur à l'intérieur de ce manuel.

### **Fonctionnement des brûleurs**

La cuisine compacte est livrée avec deux brûleurs (500W et 900W de puissance). Pour faire fonctionner les brûleurs, simplement pousser et tourner le bouton vers la position souhaitée. Ces contrôles, ayant un certain nombre de positions, vont de puissance faible à élevée (voir Figure n° 9).

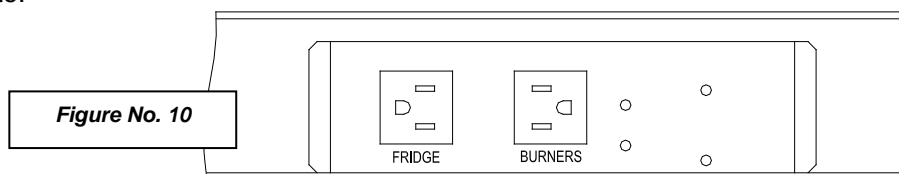
Lorsque les brûleurs sont en fonctionnement, le voyant sur le panneau avant s'allume indépendamment du réglage.



**Figure No. 9**

### **Mode d'utilisation de la connexion électrique**

L'appareil est équipé d'une boîte de jonction avec deux prises situées sous le comptoir: une prise pour les brûleurs et une prise pour le réfrigérateur (voir la figure n° 8). Une fois l'appareil installé par un électricien qualifié, assurez-vous que les brûleurs et le réfrigérateur sont correctement connectés à la boîte.



**Figure No. 10**

## ENTRETIEN ET MAINTENANCE

### ***Nettoyage de la cuisine compacte***

- Débranchez le courant dans la zone d'alimentation principale ou du disjoncteur désigné et éteignez la cuisine compacte. Assurez-vous que toutes les éléments chauffants sont éteints et laissez refroidir avant de retirer quoi que ce soit y compris les tablettes et les grilles.
- Lavez les surfaces intérieures avec une solution d'eau chaude et de bicarbonate de soude. La solution devrait être d'environ 2 cuillères à soupe de bicarbonate de soude pour un litre d'eau.
- Lavez les tablettes et les grilles avec une solution de détergent doux.
- L'extérieur de la cuisine compacte doit être nettoyé avec un détergent doux et de l'eau chaude.
- Essorez l'éponge ou le chiffon avant le nettoyage des contrôles ou des pièces électriques.
- Lavez le caisson extérieur avec de l'eau tiède et un détergent doux. Rincez bien et séchez avec un chiffon doux et propre.
- Ne pas utiliser de laine d'acier ou de brosse d'acier sur la surface de cuisson.

### **ATTENTION**

NE PAS DÉBRANCHER L'APPAREIL POURRAIT PROVOQUER UN CHOC ÉLECTRIQUE OU BLESSURES.

### ***Nettoyage des brûleurs et des bols réflecteurs***

- Débranchez le courant dans la zone d'alimentation principale ou du disjoncteur désigné et éteignez la cuisine compacte. Assurez-vous que toutes les éléments chauffants sont éteints et laissez refroidir avant de retirer les brûleurs et les bols réflecteurs.
- Retirer les brûleurs et les bols réflecteurs de la manière suivante:
  - Soulevez le bord du brûleur en face de la prise et tirez doucement sur les terminaux.
  - Une fois les brûleurs enlevés, les bols réflecteurs peuvent être sortis de leurs montures.
- Nettoyer les brûleurs et les bols réflecteurs avec un détergent doux et de l'eau chaude. Essorez l'éponge ou le chiffon avant de les nettoyer.
- Remplacez les brûleurs et les bols réflecteurs de la manière suivante:
  - Aligner l'ouverture des bols réflecteurs avec le terminal, maintenez les brûleurs à niveau avec les bornes positionnés le bol réflecteur, puis appuyez sur les terminaux des brûleurs.
  - Lorsque les bornes sont poussés dans le bol réflecteur, pousser vers le bas du bord du brûleurs opposés au bol réflecteur.

**NOTE:** ne pas plonger dans l'eau brûleurs ou d'autres liquides.

### ***Panne de courant***

Les coupures de courant sont corrigées en quelques heures et ne devraient pas affecter la température de votre réfrigérateur si vous réduisez le nombre de fois que la porte est ouverte. Si le courant est interrompu pour une période de temps plus longue, vous devez prendre les mesures appropriées pour protéger le contenu. Lors de panne de courant, assurez-vous d'éteindre tous les brûleurs.

### ***Période de vacances***

**Courtes vacances:** Laissez le réfrigérateur de la cuisine compacte fonctionner pendant des congés de moins de trois semaines.

**Longues vacances:** Si l'appareil ne sera pas utilisé pendant plusieurs mois, retirer tous les éléments et éteindre l'alimentation. Nettoyez et séchez soigneusement l'intérieur. Pour éviter les odeurs et la croissance des moisissures, laisser la porte entrouverte (bloquer en position ouverte si nécessaire).

### ***Déplacement la cuisine compacte***

- Avoir un électricien qualifié pour couper l'alimentation électrique et couper l'alimentation d'eau.
- Utiliser un plombier qualifié pour déconnecter les connexions d'alimentation en eau et le raccordement d'évacuation d'eau.
- Retirer tous les éléments du compartiment de stockage.
- Débrancher et retirez le réfrigérateur de la cuisine compacte et déplacez-les séparément.
- Fixer solidement le bas toutes les pièces détachées (étagères et panier) à l'intérieur de votre cuisine compacte et du réfrigérateur.
- Tourner les pieds réglables à la base pour éviter tout dommage.
- Mettre du ruban pour fermer la porte.
- Assurez-vous que les éléments et le réfrigérateur rester bloqué en position verticale pendant le transport. Protégez également l'extérieur de la cuisine compacte et du réfrigérateur avec une couverture, ou un objet similaire.

## GUIDE DE DÉPANNAGE

Vous pouvez facilement résoudre plusieurs des problèmes courants de votre appareil et vous épargner ainsi des frais de service. Essayez les suggestions ci-dessous qui s'appliquent à votre situation avant de faire appel à un professionnel.

PROBLÈME	CAUSE POSSIBLE
La cuisine compacte ne fonctionne pas.	Pas connecté à l'alimentation. Le disjoncteur s'est déclenché ou fusible grillé.
Le réfrigérateur ne fonctionne pas.	Pas connecté à l'alimentation. Le disjoncteur s'est déclenché ou le fusible est grillé. Le bouton de commande de température est réglé sur la position "OFF".
Le réfrigérateur s'allume et s'éteint fréquemment.	La température ambiante est plus chaude que la normale. La porte est ouverte trop souvent. La porte n'est pas complètement fermée. Le contrôle de la température n'est pas réglée correctement. Le joint de la porte n'est pas étanche.
Présence de vibrations.	Vérifier pour s'assurer que le réfrigérateur est de niveau.
Le réfrigérateur semble faire trop de bruit.	Ce bruit peut provenir de l'écoulement du fluide frigorigène, ce qui est normal. À la fin de chaque programme, vous pouvez entendre des gargouillis provenant du fluide qui circule. La contraction et l'expansion des parois internes peuvent produire des craquements Le réfrigérateur n'est pas de niveau.
La porte du réfrigérateur ne ferme pas correctement.	Le réfrigérateur n'est pas de niveau. Le joint est sale. Les tablettes sont hors de position.
Brûleurs n'est pas en maintenant un taux de l'ébullition ou la friture n'est pas assez rapide.	Vous devez utiliser des casseroles qui sont absolument plates. Le fond de la casserole devrait correspondre étroitement au diamètre des brûleurs sélectionnés.
Les aliments cuisent lentement	Mauvais ustensiles utilisés.
Les brûleurs ne fonctionnent pas	Le disjoncteur s'est déclenché ou fusible grillé. Les brûleurs sont pas bien branché dans bol réflecteur. Les boutons de réglage de puissance ne sont pas correctement définies.
Les boutons de commande des brûleurs ne s'allume pas	Vous ne poussez pas avant de tourner.

## SERVICE DE LA CUISINE COMPACTE

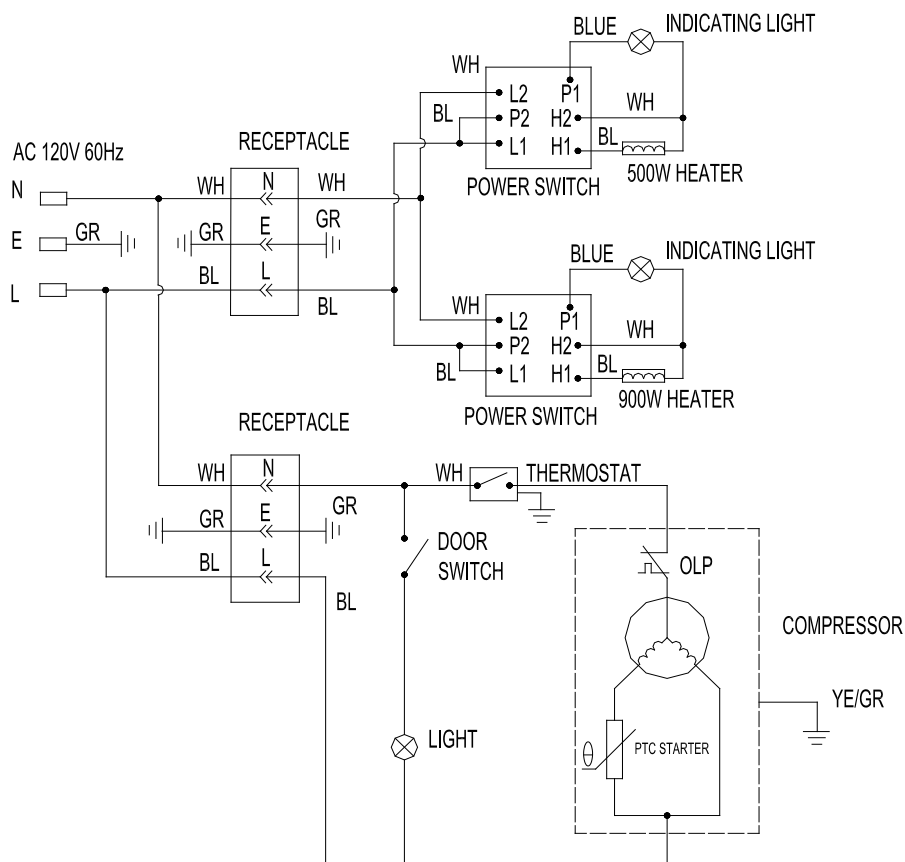
Nous sommes fiers de notre service à la clientèle et du réseau de techniciens professionnels qui offrent des services sur les produits Avanti. Avec l'achat de votre appareil Avanti, vous pouvez être sûr que si vous avez besoin d'informations ou d'aide, l'équipe du service à la clientèle Avanti sera là pour vous. Appelez-nous sans frais.

### Service à la clientèle Avanti

<p><u>Informations sur les produits</u></p> <p><b>Français:</b> 877-676-6447 <b>Anglais:</b> 800-323-5029</p>	<p>Quel que soit votre question à propos de nos produits, nous sommes disponible.</p>
<p><u>Commande de pièces</u></p> <p><b>Français:</b> 877-676-6447 <b>Anglais:</b> 800-220-5570</p>	<p>Vous pouvez commander des pièces et accessoires qui seront livrés directement à votre domicile par chèque personnel, mandat, Master Card ou Visa.</p>
<p><u>Réparation à domicile</u></p> <p><b>Français:</b> 877-676-6447 <b>Anglais:</b> 800-220-5570</p>	<p>Un centre de service autorisé Avanti fournira un service de réparation professionnel, prévue à un moment qui vous convient. Nos réparateurs formés connaissent votre cuisine compacte de fond en comble.</p>

## DIAGRAMME ÉLECTRIQUE

(Cuisine complète)





## GARANTIE SUR LES PRODUITS AVANTI

Agrafez votre reçu d'achat ici.

La preuve de la date d'achat d'origine est nécessaire pour obtenir un service sous garantie.

### CE QUI EST COUVERT DURANT LA GARANTIE LIMITÉE D'UN AN.

Pendant un an à partir de la date d'achat par le propriétaire initial, Avanti fera, à sa discrétion, réparer ou remplacer toute pièce de l'appareil, qui s'avère être un défaut matériel ou de fabrication dans des conditions normales d'utilisation. Pendant cette période, Avanti fournira toutes les pièces et la main-d'œuvre nécessaires pour corriger ces défauts gratuitement, aussi longtemps que l'appareil a été installé et utilisé conformément aux instructions écrites dans ce manuel. En usage locatif ou commercial, la période de garantie est de 90 jours. Avanti vous fournira un produit de remplacement raisonnablement semblable neuf ou remis à neuf. Tous les appareils Avanti d'une capacité de 4,0 pieds cubes ou moins doivent être apportés/envoyés à l'atelier de service de l'appareil pour réparation.

### GARANTIE LIMITÉE DE LA DEUXIÈME À LA CINQUIÈME ANNÉE

De la deuxième à la cinquième année suivant la date d'achat originale, Avanti fournira un compresseur de remplacement sans frais s'il devient défectueux. Vous êtes responsable de la main-d'œuvre et des frais d'envoi. En usage locatif ou commercial, la garantie du compresseur est limitée à un an et neuf mois. Le coût de déplacement de l'appareil à l'atelier de réparation et son retour (si nécessaire) sont à la charge de l'utilisateur.

### CE QUI N'EST PAS COUVERT

- La perte de la nourriture en raison de la détérioration.
- Les dommages indirects ou consécutifs.
- Les pièces et les coûts de main-d'œuvre pour les raisons suivantes ne seront pas considérées comme une garantie:
  - Ressorts de porte, et / ou des cadres.
  - Panneaux de porte intérieurs, les rails de porte et / ou supports de porte.
  - Les ampoules et / ou de logement en plastique.
  - Revêtements de la caisse en plastique.
- L'évaporateur percé qui annule la garantie sur le système scellé complet.
- Les frais d'expédition et de manutention liés au remplacement de l'appareil.
- Les réparations effectuées par réparateurs non autorisés.
- Les appels de service qui ne concernent pas les défauts de matériaux ou de fabrication tels que l'éducation de la clientèle, l'inversion de la porte, ou une installation correcte.
- Les appels de service qui sont liés à des problèmes externes, tels que l'abus, l'alimentation électrique inadéquate, les accidents, les incendies, les inondations, ou les actes de Dieu.
- La surcharge pour un appel de service, y compris mais sans s'y limiter: Service après les heures d'ouverture, les week-ends ou les appels de service lors des vacances, les péages, les frais de voyage de ferry, ou les frais de kilométrage pour les appels de service dans les régions éloignées, y compris l'État de l'Alaska.
- Le remplacement des fusibles ou des disjoncteurs de remise à zéro.
- Une panne du produit s'il est utilisé à d'autres fins que celles prévues.

Cette garantie ne s'applique pas en dehors de la zone continentale des États-Unis.



## Registration Information

Thank you for purchasing this fine Avanti product. Please fill out this form and return it to the following address within 100 days from the date of purchase and receive these important benefits:

**Avanti Products, LLC.**  
**P.O.Box 520604 – Miami, Florida 33152**

➤ **Protect your product:**

We will keep the model number and date of purchase of your new Avanti product on file to help you refer to this information in the event of an insurance claim such as fire or theft.

➤ **Promote better products:**

We value your input. Your responses will help us develop products designed to best meet your future needs.

------(detach here)-----

### Avanti Registration Card

Name			Model #	Serial #
Address			Date Purchased	Store / Dealer Name
City	State	Zip	E-mail Address	
Area Code	Phone Number		Occupation	
<u>Did You Purchase An Additional Warranty</u> <input type="checkbox"/> Extended <input type="checkbox"/> None			<u>As your Primary Residence, Do You:</u> <input type="checkbox"/> Own <input type="checkbox"/> Rent	
<u>Reason for Choosing This Avanti Product:</u> Please indicate the most important factors That influenced your decision to purchase this product:			<u>Your Age:</u> <input type="checkbox"/> under 18 <input type="checkbox"/> 18-25 <input type="checkbox"/> 26-30 <input type="checkbox"/> 31-35 <input type="checkbox"/> 36-50 <input type="checkbox"/> over 50	
<input type="checkbox"/> Price <input type="checkbox"/> Product Features <input type="checkbox"/> Avanti Reputation <input type="checkbox"/> Product Quality <input type="checkbox"/> Salesperson Recommendation <input type="checkbox"/> Friend / Relative Recommendation <input type="checkbox"/> Warranty <input type="checkbox"/> Other: _____			<u>Marital Status:</u> <input type="checkbox"/> Married <input type="checkbox"/> Single	
<u>Comments:</u>   			<u>Is This Product Used In The:</u> <input type="checkbox"/> Home <input type="checkbox"/> Business	
			<u>How Did You Learn About This Product:</u> <input type="checkbox"/> Advertising <input type="checkbox"/> In-Store Demo <input type="checkbox"/> Personal Demo	

## REGISTRO DE GARANTIA

Gracias por comprar este electrodoméstico Avanti. Por favor llene este formulario y envíelo a la siguiente dirección dentro de los 100 días a partir de la fecha de compra y reciba estos beneficios importantes:

**Avanti Products, LLC.**  
**P.O.Box 520604 – Miami, Florida 33152**

- **Proteger do Producto:**  
Vamos a mantener el número de modelo y fecha de compra de su nuevo producto Avanti archivados para que pueda consultar esta información en caso de una reclamación de seguro como un incendio o robo.
- **Promover mejores productos:**  
Valoramos su opinión. Sus respuestas nos ayudarán a desarrollar productos diseñados para satisfacer mejor sus necesidades futuras.

------(CORTAR AQUI)-----

## REGISTRO DE CLIENTE

NOMBRE			No. de Modelo	No. de Serie
Dirección			Fecha de compra	Lugar de compra
Ciudad Postal	Estado	Codigo	Correo electrónico	
Codigo de area	No. de telefono		Ocupación	
Compro Ud una garantía adicional?			En su residencia primaria Ud:	
<input type="checkbox"/> Extendida <input type="checkbox"/> No			<input type="checkbox"/> Es dueño(a) <input type="checkbox"/> Alquila	
Cual fue su razon por elegir este producto Avanti: Por favor, detalla los factores más importantes que le influyó a comprar este producto:			Su edad:	
<input type="checkbox"/> Costo <input type="checkbox"/> Características del producto <input type="checkbox"/> Reputación de la empresa Avanti <input type="checkbox"/> Calidad del producto <input type="checkbox"/> Recomendado por el vendedor <input type="checkbox"/> Recomendado por un familiar o amistad <input type="checkbox"/> Garantía <input type="checkbox"/> Otro: _____			<input type="checkbox"/> menor de 18 <input type="checkbox"/> 18-25 <input type="checkbox"/> 26-30 <input type="checkbox"/> 31-35 <input type="checkbox"/> 36-50 <input type="checkbox"/> más de 50	
Comentarios:			Estado civil: <input type="checkbox"/> Casado(a) <input type="checkbox"/> Soltero(a)	
			<b>Cual será el uso de este producto?</b> <input type="checkbox"/> En Casa <input type="checkbox"/> En oficina o área comercial	
			<b>Como llego Ud a conocer este producto:</b> <input type="checkbox"/> Publicidad <input type="checkbox"/> Demostraciones dentro de la tienda <input type="checkbox"/> Demostración personal	
Comentarios:				

## ENREGISTREMENT DE LA GARANTIE

Merci d'avoir choisi un produit Avanti. Veuillez remplir ce formulaire et le retourner dans un délai maximal de 100 jours suivant la date d'achat à l'adresse ci-dessous.

**Avanti Products LLC**  
**P.O. Box 520604 - Miami, Florida 33152**

**Protégez votre produit :** Nous conserverons le numéro de modèle et la date d'achat de votre nouveau produit Avanti dans nos dossiers pour vous aider à obtenir ces renseignements dans l'éventualité d'une réclamation d'assurance à la suite d'un incendie ou d'un vol.

**Promouvoir de meilleurs produits:** Nous apprécions vos commentaires. Vos réponses nous aideront à développer des produits conçus pour répondre au mieux à vos besoins futurs.

------(Détachez ici)-----

### Enregistrement de la garantie Avanti

Nom			# Modèle	# Série
Adresse			Date d'achat	Magasin/ Marchand
Ville	Province	Code Postal	Adresse courriel	
Code régional	Phone Number		Occupation	
Possédez-vous une garantie prolongée?			Votre résidence principale est-elle:	
<input type="checkbox"/> Oui			<input type="checkbox"/> Achetée	
<input type="checkbox"/> Non			<input type="checkbox"/> Louée	
<u>Raison d'avoir ce produit Avanti:</u> S'il vous plaît indiquer les facteurs les plus importants qui ont influencé votre décision d'acheter ce produit:			<u>Votre âge:</u>	
<input type="checkbox"/> Prix			<input type="checkbox"/> moins de 18 ans	
<input type="checkbox"/> Caractéristiques du produit			<input type="checkbox"/> 18-25	
<input type="checkbox"/> Réputation d'Avanti			<input type="checkbox"/> 26-30	
<input type="checkbox"/> Qualité du produit			<input type="checkbox"/> 31-35	
<input type="checkbox"/> Recommandation du vendeur			<input type="checkbox"/> 36-50	
<input type="checkbox"/> Recommandation d'un ami ou parent			<input type="checkbox"/> plus de 50 ans	
<input type="checkbox"/> Garantie			<u>État civil:</u>	
<input type="checkbox"/> Autre: _____			<input type="checkbox"/> Marié	
Commentaires:			<input type="checkbox"/> Célibataire	
_____			<u>Ce produit est utilisé:</u>	
_____			<input type="checkbox"/> Maison	
			<input type="checkbox"/> Commercial	
			<u>Comment avez-vous entendu parler de ce produit:</u>	
			<input type="checkbox"/> Publicité	
			<input type="checkbox"/> Démo en magasin	
			<input type="checkbox"/> Démo personnel	





