

Café™ Professional Series 27" Built-In Double Electric Convection Wall Oven

CKD70DP2NS1

CAFÉ

DISTINCT BY DESIGN™



FEATURES & BENEFITS

Brighten up life in the kitchen - Easily navigate wall oven settings using a stunning full color display that adds an unexpected touch of style to your kitchen

Enjoy convenient temperature control from anywhere - Preheat while running errands or change oven temperatures while doing yard work with the Café Appliances Kitchen app

The oven rack that handles it all - Easily remove heavy dishes with a roller rack that is specially designed to glide smoothly and stay in the oven during the self clean cycle, so you never have to handle cumbersome racks again

Prepare foods to perfect doneness - Get roasts and meats just right with a temperature probe that lets you monitor progress on the wall oven screen, eliminating the need to open the oven door during cooking

Clean up has never been easier - Keep your oven looking like new at all times with a steam clean option for small spills and a self clean cycle for larger messes

Create a look that matches your personal style - Select any combination of premium finishes and hardware options to create a stunning look customized to any owner's taste

APPEARANCE

Color Appearance	Stainless Steel
Frameless Oven Door(s)	Stainless Steel
Oven Door Features	Big View Oven Window
Handle	Café Pro Style Brushed Stainless Customizable
Installation	Above Warming Drawer Side-by-Side

FEATURES

Configuration	Double Oven
Cooking System	True European Convection (Upper)
Oven Cleaning Type	Self-Clean with Steam Clean Option
Cleaning Time	Variable with Delay Clean Option
Oven Cooking Modes	Convection Bake Convection bake Multi-Rack Convection Roast Thermal Bake Thermal Broil Hi/Lo Keep Warm Proof Scan-to-cook
Self-Clean Oven Door Lock	Automatic
Control Type	7" Full-Color Touch LCD Screen
Oven Features	8-Pass Broil Element 10-Pass Bake Element Closed Door Broiling
Oven Rack Features	2 Never Scrub Roller Rack 2 Never Scrub Flat Rack 6 Embossed Rack Positions per oven
Oven Control Features	12-Hour Shut-Off Capability Audible Preheat Signal Auto Recipe Conversion C° or F° Programmable Sabbath Mode Control Lock Capability Cook Time; Delay Time Electronic Clock & Kitchen Timer Remote Enabled Temperature Probe
WiFi Connect	Built-In
Connected Capabilities	Amazon Alexa The Google Assistant IFTTT Nest Drop Innit
Cooking Technology	Convection Upper Traditional Lower
Oven Interior	2 Halogen Interior Oven Lights (Both Ovens) Black Gloss Finish Hidden Bake

CAPACITY

Capacity (Cu. Ft.)	4.3 Upper / 4.3 Lower
Total Capacity (cubic feet)	8.6 cu ft

POWER / RATINGS

Amp Rating at 208V	30
Amp Rating at 240V	30
Bake Wattage	2600W
Broiler Wattage	3400W
Convection Wattage	2400W
KW Rating at 208V	5.4
KW Rating at 240V	7.2

WEIGHTS & DIMENSIONS

Approximate Shipping Weight	245 lb
Net Weight	224 lb
Overall Height	51-1/8 in
Overall Width	26-3/4 in
Overall Depth	26-5/8 in
Cabinet Width	27 in
Cutout Dimensions (w x h x d) (in.)	25-1/4 x 50-1/8 x 23-1/2
Oven Interior Dimensions (lower)	21-1/2 x 17-1/4 x 20
Oven Interior Dimensions (upper)	21-1/2 x 17-1/4 x 20

Café™ Professional Series 27" Built-In Double Electric Convection Wall Oven

CKD70DP2NS1

CAFÉ

DISTINCT BY DESIGN™

OPTIONAL ACCESSORIES

27" Never Scrub Roller Rack	UXWORXR27
Large Broiler Pan	WB48X10056
60" Replacement Electrical Conduit	WB18T10574
72" Replacement Electrical Conduit	WB18T10580

WARRANTY

Parts warranty	Limited 1-year entire appliance
Labor warranty	Limited 1-year entire appliance
Warranty notes	See written warranty for full details

DIMENSIONS AND INSTALLATION INFORMATION

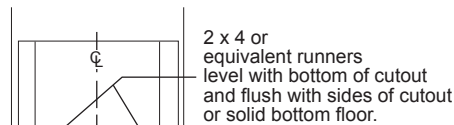
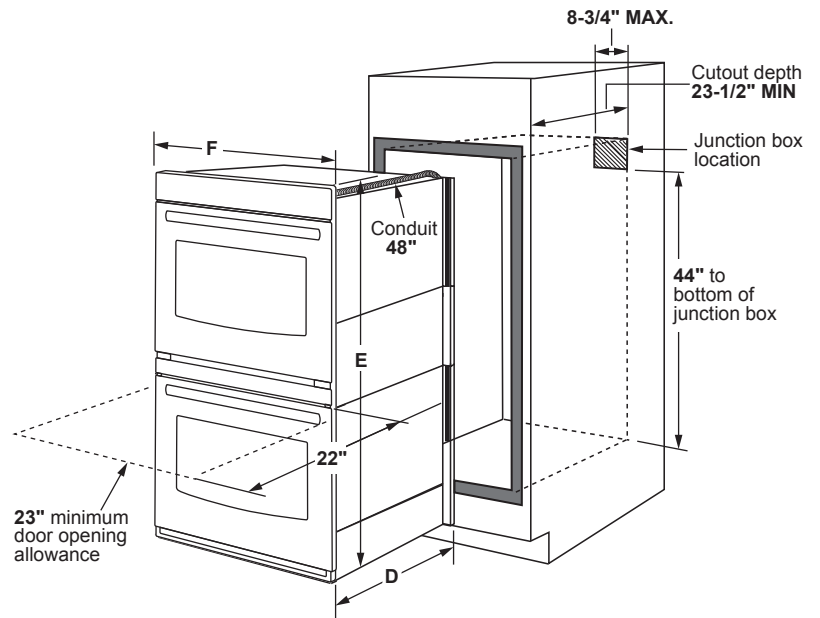
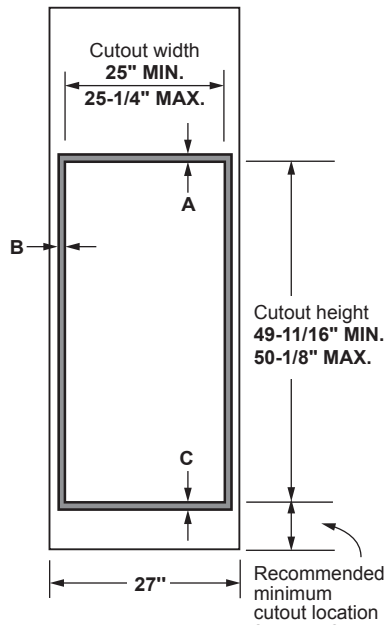
Wall coverings, countertops and cabinets surrounding the wall oven must be able to withstand a temperature of up to 200°F (94°C).

If the cabinet in which the wall oven is installed does not have a solid bottom, two braces or runners must be installed to support the weight of the oven. The runners and braces must support up to 400 lbs (181 kg).

Door handle protrudes 3" from door face. Cabinets and drawers on adjacent 45° and 90° walls should be placed to avoid interference with the handle.

ATTENTION INSTALLER: Electric wall ovens are NOT approved for installation with a plug and receptacle. They must be hard wired into an approved junction box.

IMPORTANT: Before installing, consult installation instructions packed with product for current dimensional data.



Suitable bracing to support runners (must support 400 lbs.)

Cabinet	
A - Overlap of oven at top of cutout	27"
B - Overlap of oven other side of edge of cutout	1"
C - Overlap of oven at bottom of cutout	1"
Oven	
D - Install depth	23-1/2"
E - Overall height with trim	51-1/8"
F - Overall width	26-3/4"

ADDITIONAL ACCESSORIES



CXWD7H0PNBZ
Brushed Bronze
2 handles



CXWD7H0PNSS
Brushed Stainless
2 handles



CXWD7H0PNBT
Brushed Black
2 handles



CXWD7H0PNCU
Brushed Copper
2 handles



CXWD7H0PNCG
Brushed Brass
2 handles



CXWD7H0PNFB
Flat Black
2 handles

Dimension and installation information are shown in inches.