

Microwave Oven — User's Guide
Horno de Microondas — Guía de Usuario
Four Micro-ondes — Guide de l'utilisateur

Model: CM-0992 K/W

www.impecca.com

TABLE OF CONTENTS

IMPORTANT SAFETY INSTRUCTIONS	3
CAUTIONS & WARNINGS	4
IMPORTANT: ELECTRICAL GROUNDING	5
INSTALLING YOUR MICROWAVE OVEN	6
GETTING TO KNOW YOUR MICROWAVE OVEN.	7
OPERATION OF CONTROL PANEL	8
UTENSILS AND MATERIALS GUIDE	11
COOKING TECHNIQUES	13
CLEANING AND CARE	14
TROUBLESHOOTING TIPS.	15
TECHNICAL SPECIFICATIONS.	16
CUSTOMER SUPPORT	16
SIX MONTH LIMITED WARRANTY	17
ESPAÑOL.	18
FRANÇAIS.. . . .	35
NOTES	52
NOTES	53

IMPORTANT SAFETY INSTRUCTIONS

PLEASE SAVE THESE INSTRUCTIONS. YOU MAY NEED THEM IN THE FUTURE.

WARNING: BEWARE OF EXPOSURE TO EXCESSIVE MICROWAVE ENERGY

To reduce the risk of burns, electric shock, fire, injury to persons (yourself or others) or exposure to excessive microwave energy when using your appliance, follow basic safety precautions, including the following:

Do not attempt to operate this oven with the door open; this can result in harmful exposure to microwave energy. Do not override or tamper with the internal safety protections.

Do not place any object between the oven front face and the door or allow dirt or other residues to accumulate on the sealing surfaces.

Do not operate the oven if it is damaged. It is important that the oven door closes properly and that there is no damage to the:

- **DOOR (bent)**
- **HINGES AND LATCHES (broken or loosened)**
- **DOOR SEALS AND SEALING SURFACE**

The oven should not be adjusted or repaired by anyone except properly qualified service personnel.

FOR HOUSEHOLD USE ONLY

SAVE THESE INSTRUCTIONS

CAUTIONS & WARNINGS

Carefully review all of these specifications and warnings BEFORE operating your microwave oven. Failure to do so may cause damage, injury, or bodily harm including permanent disability and/or death.

1. As with most cooking appliances, closely supervise use to reduce the risk of a fire in the oven.
2. To reduce the risk of fire while cooking, be sure to take the following additional precautions:
3. Do not overcook food. Carefully monitor the appliance when paper, plastic, or other combustible materials are placed inside the oven to facilitate cooking.
4. Remove wire twist-ties and metal handles from paper or plastic containers/bags before placing them in the oven.
5. If materials inside the oven ignite, keep the oven door closed. Turn the oven off, and unplug the appliance. Disconnect the power cord, shut off power at the fuse or circuit breaker panel.
6. Do not use the oven cavity for storage purposes. Do not leave paper products, cooking utensils, or food in the oven when not in use.
7. This oven must be grounded with a properly grounded outlet. See the section **“ELECTRICAL GROUNDING”**.
8. Install or place this oven in strict accordance with the installation instructions provided.
9. Some products, such as whole eggs, and sealed containers such as a glass jars, are able to explode and should not be heated in the oven.
10. Use this appliance only for its intended uses as described in this manual. Do not use corrosive chemicals or vapors in or near the appliance. This oven is specifically designed to heat or cook or dry food in a home consumer setting. It is not designed for industrial or laboratory use.
11. As with any appliance, close supervision is necessary when used by children.
12. Do not operate this oven if it has a damaged cord or plug, if it is not working properly, or if it has been dropped or damaged.
13. This appliance should only be serviced by qualified service technicians. Contact technical support for information regarding your closest authorized service center for further examination, repair, or adjustment to your appliance.
14. Do not cover or block any openings on the oven.
15. Do not store or use this appliance outdoors. Do not use this oven near water, for example, near a kitchen sink, in a wet basement, near a swimming pool, or similar locations.
16. Do not immerse cord or plug in water.
17. Keep cord away from heated surfaces.

18. Do not let cord hang over edge of a table or counter.
19. When cleaning the oven door and surfaces, use only mild, non-abrasive soaps or detergents applied with a damp sponge or cloth.
20. Liquids, such as water, coffee, or tea can be overheated beyond the boiling point without appearing to boil. Visible bubbling or boiling when the container is removed from the microwave is not always present. This can result in scalding liquids suddenly boiling over when the container is disturbed or a spoon or other utensil is inserted into the liquid.
21. Do not overheat the liquid. Stir the liquid both before and halfway through heating it. Do not use straight-sided containers with narrow necks. After heating, allow the container to stand in the microwave oven for a short time before removing the container. Use extreme care when inserting a spoon or other utensil into the container.

IMPORTANT: ELECTRICAL GROUNDING

DANGER: ELECTRICAL SHOCK HAZARD

- Touching the internal components of this oven can cause serious personal injury or even death.
- Do not disassemble this appliance.

WARNING: ELECTRIC SHOCK HAZARD

- Improper use of the grounding plug can result in electric shock. Do not plug the oven into an outlet unless the outlet is properly installed and grounded.

THREE-PRONGED (GROUNDING) PLUG

This appliance must be grounded. In the event of an electrical short circuit, grounding reduces the risk of electric shock by providing an escape wire for the electric current. This appliance is equipped with a grounding-wire cord with the third, round grounding plug. The plug must be plugged into an outlet that is properly installed and grounded. Consult a qualified electrician or serviceman if the grounding instructions are not completely understood or if doubt exists as to whether the appliance is properly grounded. If it is necessary to use an extension cord, use only a 3-wire extension cord that has a 3-pronged grounding plug, and a 3-slot receptacle that will accept the plug on the appliance. The marked rating of the extension cord shall be equal to or greater than the electrical rating of the appliance.

1. A short power-supply cord is provided to reduce the risks resulting from becoming entangled in or tripping over a longer cord.
2. Longer cord sets or extension cords are available and may be used if done so with great care.
3. If a long cord set or extension cord is used:
 - The marked electrical rating of the cord set or extension marked electrical rating of the cord set or extension cord should be at least as great as the electrical rating of the appliance.

- The extension cord must be a grounding-type 3-wire cord; and
- The longer cord should be arranged so that it will not drape over the countertop or tabletop where it can be pulled on by children or tripped over accidentally.

RADIO INTERFERENCE

Operation of the microwave oven may cause interference to your radio, TV or similar equipment. When there is interference, it may be reduced or eliminated by taking the following measures:

- Clean door and sealing surface of the oven.
- Reorient the receiving antenna of radio or television.
- Relocate the microwave oven with respect to the receiver.
- Move the microwave oven away from the receiver.
- Plug the microwave oven into a different outlet so that microwave oven and receiver are on different branch circuits.

INSTALLING YOUR MICROWAVE OVEN

Before installation and operation:

- Remove all packing materials and accessories.
- Examine the oven for any damage such as dents or a broken door. If the unit is damaged, do not install. Contact technical support or the place of purchase.
- Remove any protective film found on the microwave oven cabinet surface.
Warning: Do not remove the light brown Mica cover that is attached to the oven cavity to protect the magnetron.

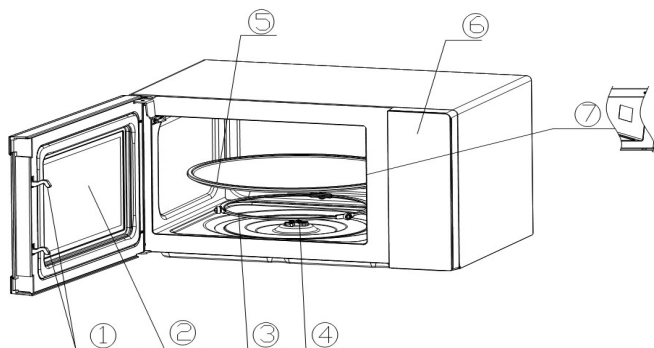
INSTALLATION GUIDELINES

1. Select a level and stable surface that provides enough open space for the intake and/or outlet vents. Blocking the intake and/or outlet openings can damage the oven. Do not place the oven where heat, moisture, or high humidity are generated.
 - A minimum clearance of 3 inches (7.5cm) is required between the oven and the adjacent walls. One side must be open for proper ventilation and heat dispersal.
 - Leave a minimum clearance of 12 inches (30cm) above the oven.
 - Place the oven as far away from radios and TVs as possible.
2. Plug your oven into a standard household outlet. Be sure the voltage and the frequency is the same as the voltage and frequency on the rating label.
 - Be sure that the power supply cord is undamaged and does not run under the microwave oven or over any hot or sharp surfaces.
 - The socket must be readily accessible so that it can be easily unplugged in an emergency.

TURNTABLE INSTALLATION

- Your microwave should come with the Turntable Spindle already installed. The glass tray must rest perfectly centered on top of the wheels of the spindle to operate properly.
- Do not operate the oven without glass tray and spindle in their proper positions.

GETTING TO KNOW YOUR MICROWAVE OVEN



- 1. Door Lock:** Ensure that the microwave oven door is securely closed for proper operation.
- 2. Viewing Window:** This window allows users to monitor the cooking status.
- 3. Rotating Ring:** The glass turntable sits on wheels which support and balance it during rotation.
- 4. Rotating Axis:** The glass turntable is placed on this axis, which is driven by the motor underneath, enabling rotation.
- 5. Turntable:** Place the rotating ring first, then fit the turntable onto the rotating axis, ensuring it is properly aligned. The turntable's rotation helps cook food evenly.
- 6. Control Panel:** Please refer to the detailed instructions below. Note that the control panel may be subject to change without prior notice.
- 7. Waveguide Cover:** This cover is located inside the microwave oven, next to the control panel wall. **Never attempt to remove the waveguide cover.**

Detailed Control Panel Instructions: Refer to the accompanying manual for specific control panel details and functions, as the control panel features may change without prior notice.

OPERATION OF CONTROL PANEL

1. BEFORE COOKING

- When the power supply is plugged in, the display will illuminate, then enter standby mode, displaying "1:00."

2. MICROWAVE FUNCTION

- This microwave offers ten power levels: 100P, 90P, 80P, 70P, 60P, 50P, 40P, 30P, 20P, and 10P. To select the desired microwave power:

- Continuously press the "Power" button until your desired power level is displayed.

- Input the cooking time using the 0~9 number buttons; the maximum time is 99:99.

- After entering the cooking time, press the "START/+30s" button to begin. A buzzer will sound when the operation is complete.

Additional Notes:

- The maximum allowable cooking time is 99 minutes and 99 seconds.

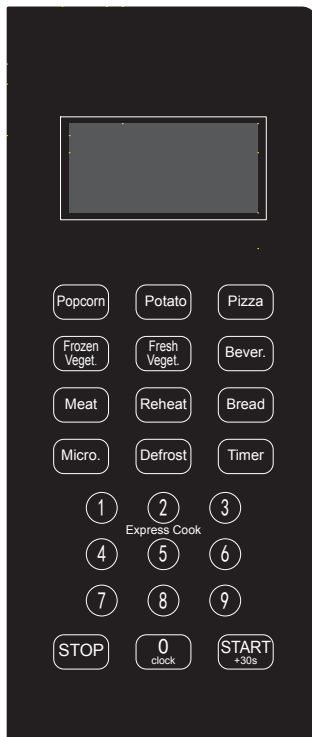
- Never use the grill rack during microwave cooking.

- Do not operate the oven empty.

- At maximum microwave power, the oven will automatically reduce the power after a certain cooking time to extend the service life.

- If you turn the food during cooking, press the "Start/+30s" button once, and the preset cooking procedure will continue.

- To stop cooking before the preset time, press the Stop button once to clear the preset procedure to prevent unintended operation during the next use.



Note: Actual product may differ slightly in appearance

HIGH	100% and 90% power output	(Applicable for quick and thorough cooking)
M.High	80% and 70% power output	(Applicable for medium express cooking)
Med	60% and 50% power output	(Applicable for steaming food)
M.Low	40% and 30% power output	(Applicable for defrosting food)
LOW	20% and 10% power output	(Applicable for keeping warm)

3. DEFROST

- There are two defrost modes, DEF1 and DEF2, for defrosting by weight and by time, respectively.

- Press the "Defrost" button to choose between defrosting by weight or time, and the

display will show "DEF1" or "DEF2."

- Input the food weight or defrosting time using the 0~9 number buttons. The weight range for DEF1 is from 4 to 50 oz, and DEF2 allows a maximum time input of 99:99.

- After entering the data, press the "START/+30s" button to begin. A buzzer will sound when the operation is complete. DEF1 by weight will prompt you to turn the food over during defrosting.

dEF1	For defrosting, the weight range from 4 to 50oz.
dEF2	For defrosting, the maximum time is 99:99.

Defrosting Tips:

- Rotate the food during operation for even defrosting.
- Defrosting typically requires more time than cooking.
- If you can cut the food with a knife, consider the defrosting process complete.
- Microwave penetration is approximately 4 cm into most foods.
- Consume defrosted food promptly; it's not advisable to refreeze.

4. AUTO COOKING

- This microwave offers eight automatic menus: popcorn, potato, pizza, frozen vegetable, fresh vegetable, beverage, meat, and bread. To use these menus:

- Select the desired auto menu button.
- Continuously press the corresponding menu button to select the desired food weight, which will be displayed.
- After selecting the cooking weight, press the "START/+30s" button to begin. A buzzer will sound when the operation is complete.

Display	Kind	Method
A.1	Popcorn	The optional weight is 3.5oz.
A.2	Potato	The optional weights are 9oz, 18oz and 27oz.
A.3	Pizza	The optional weights are 7oz and 14oz.
A.4	Frozen vegetable	The optional weights are 7oz, 14oz and 21oz.
A.5	Fresh vegetable	The optional weights are 7oz, 14oz and 21oz.
A.6	Beverage	The optional weights are 1 cup, 2 cups or 3 cups, each one about 9oz.
A.7	Meat	The optional weights are 7oz, 14oz and 21oz.
A.8	Bread	The optional weights are 3.5oz, 7oz, 10.5oz, 14oz and 17.5oz.

Additional Tips:

- Ensure the food's temperature before cooking is 20-25°C. Adjust cooking time for higher or lower starting temperatures.

- Food temperature, weight, and shape can significantly affect cooking results. Adjust cooking time for optimal results if these factors deviate from the menu settings.

5. TIMER

- In standby mode, press this button to enter the timer setting interface. The countdown function icon and "0:00" will be displayed on the screen.

- Input the desired time using the 0~9 number buttons; the maximum time is 99:99.
- After setting the time, press the "START/+30s" button to initiate the countdown. A buzzer will sound when the countdown is complete.

6. REHEAT

- The reheat function allows users to heat food based on its weight. Continuously press the "Reheat" button to choose the appropriate food weight (7oz, 14oz, 21oz, 28oz, or 35oz).

- After selecting the weight, press the "START/+30s" button to begin. A buzzer will sound when the operation is complete.

7. EXPRESS COOK

- **7.1** In standby mode, press the numbers 1~6 to start the microwave oven; each number corresponds to 1-6 minutes of cooking time.

- After selecting the time, press the "START/+30s" button to begin. A buzzer will sound when the operation is complete.

- **7.2** In standby mode, after placing food in the oven and closing the door, press the "START/+30s" button to quickly start the microwave with a default working time of 30 seconds.

- During cooking, press the "START/+30s" button once to add 30 seconds to the cooking time. Note that this option is not available in menu mode or weight defrosting mode.

- In pause mode, pressing the "START/+30s" button will resume the previous cooking mode.

8. 0/Clock

- The "0/Clock" button combines the clock function and the "0" button. The clock operates in a 12-hour system. Here's how to set the clock:

- In standby mode, press and hold the "0/Clock" button for more than 3 seconds to access the clock setting interface.

- Use the 0~9 number buttons to input the clock time directly, then press the "START/+30s" button to confirm the time and exit the clock setting mode.

9. STOP

- During the cooking setup process, press the "STOP" button to cancel settings and return to standby mode.

- While the microwave is in operation, press the "STOP" button to pause.

- In standby mode, pressing the "STOP" button again will cancel any function and return to standby mode.

10. START/+30s

- After setting the cooking time or food weight, press the "START/+30s" button to initiate the microwave immediately.

- While the microwave is in operation, press this button to increase the time by 30 seconds with each press (except in menu or weight defrosting modes).

- In pause mode, pressing this button will continue the microwave operation from where it left off before pausing.

11. CHILD LOCK FUNCTION

- Use this feature to lock the control panel for cleaning or to prevent unsupervised use by children.

- To activate it, press and hold down the "STOP" button for 3 seconds while in standby mode. "LOC" will be displayed.

- To deactivate it, press and hold down the "STOP" button for 3 seconds again, and "LOC" will disappear from the display.

UTENSILS AND MATERIALS GUIDE

Microwaves are attracted to and absorbed by fat, sugar and water molecules in the food, causing them to move, producing friction and heat which cooks the food.

1. Do not heat oil or fat for deep-frying. It is difficult to control the temperature of oil in microwave oven.
2. Pierce foods with heavy skins such as potatoes, whole squash, apples and chestnuts before cooking.
3. The contents of feeding bottles and baby jars should be stirred or shaken and the temperature should be checked before serving in order to avoid severe burns.

When microwave cooking, the amount, size and shape, starting temperature, composition and density of the food affect cooking results. Cookware and dinnerware must fit on the turntable. Always use oven mitts or pot holders when handling because any dish may become hot from heat transferred from the food. Do not use cookware and dinnerware with gold or silver trim.

TESTING COOKWARE, UTENSILS, AND DINNERWARE FOR MICROWAVE USE

There may be certain non-metallic utensils, cookware, and dinnerware that are not safe to use for microwaving. If in doubt, you can test the utensil in question by following the procedure below.

1. Put cookware, utensils, or dinnerware in microwave oven with 1 cup (250 ml) of water beside it.
2. Cook at 100% cooking power for 1 minute. Note: When performing the test, do not exceed 1 minute cooking time.
3. Do not use cookware, utensils, or dinnerware if it becomes hot and the water stays cool.

RECOMMENDED MATERIALS

- Microwave browning dish — Use to brown the exterior of small items such as steaks, chops, or pancakes. Follow the directions provided with your browning dish.
- Microwaveable plastic wrap — Use to retain steam. Leave a small opening for some steam to escape and avoid placing it directly on the food.
- Paper towels and napkins — Use for short-term heating and covering; these absorb excess moisture and prevent splattering. Do not use recycled paper towels, which may contain metal and could ignite.
- Glass and glass-ceramic bowls and dishes — Use for heating or cooking.
- Paper plates and cups — Use for short-term heating at low temperatures. Do not use recycled paper, which may contain metal and could ignite.
- Wax paper — Use as a cover to prevent splattering.

LIMITED USE

Aluminum foil and some metal can be used in the microwave oven. **If not used properly, arcing (a blue flash of light) can occur and cause damage to the microwave oven.**

- Aluminum foil — Use narrow strips of foil to prevent overcooking of exposed areas. Using too much foil can damage your oven, so be careful. You should keep a distance of 1 inch (2.54cm) between aluminum foil and cavity.
- Ceramic, porcelain, and stoneware— Use these if they are labeled "Microwave Safe." If they are not labeled, test them to make sure they can be used safely.
- Plastic — Use only if labeled "Microwave Safe." Other plastics can melt.
- Thermometers — Use only those labeled "Microwave Safe." and follow all directions. Check the food in several places. Conventional thermometers may be used on microwave food once the food has been removed from the oven.

NOT RECOMMENDED

- Glass jars and bottles — Regular glass is too thin to be used in a microwave. It can shatter and cause damage and injury.
- Paper bags — These are a fire hazard, except for popcorn bags that are designed for microwave use.

- Styrofoam plates and cups — These can melt and leave an unhealthy residue on food.
- Plastic storage and food containers — Containers such as margarine tubs can melt in the microwave.
- Metal utensils — These can damage your oven. Remove all metal before cooking.
- Metal cookware and bakeware, gold, silver, pewter, non-approved meat thermometers, skewers, twist ties, foil liners such as sandwich wrappers, staples and objects with gold or silver trim or a metallic glaze should not be used in the microwave oven.

COOKING TECHNIQUES

Your microwave makes cooking easier than conventional cooking, provided you keep these considerations in mind:

STIRRING

Stir foods such as casseroles and vegetables while cooking to distribute heat evenly. Food at the outside of the dish absorbs more energy and heats more quickly, so stir from the outside to the center. The oven will turn off when you open the door to stir your food.

ARRANGEMENT

Arrange unevenly shaped foods, such as chicken pieces or chops, with the thicker, meatier parts toward the outside of the turntable where they receive more microwave energy. To prevent overcooking, place delicate areas, such as asparagus tips, toward the center of the turntable.

SHIELDING

Shield food with narrow strips of aluminum foil to prevent overcooking. Areas that need shielding include poultry wing tips, the ends of poultry legs, and corners of square baking dishes. Use only small amounts of aluminum foil. Larger amounts can damage your oven.

TURNING

Turn foods over midway through cooking to expose all parts to microwave energy. This is especially important with large foods such as roasts.

STANDING

Foods cooked in the microwave build up internal heat and continue to cook for a few minutes after heating stops. Let foods stand to complete cooking, especially foods such as cakes and whole vegetables. Roasts need this time to complete cooking in the

center without overcooking the outer areas. All liquids, such as soup or hot chocolate, should be shaken or stirred when cooking is complete. Let liquids stand a moment before serving. When heating baby food, stir well at removal and test the temperature before serving.

ADDING MOISTURE

Microwave energy is attracted to water molecules. Food that is uneven in moisture content should be covered or allowed to stand so that the heat disperses evenly. Add a small amount of water to dry food to help it cook.

CLEANING AND CARE

- Turn off the oven and remove the power plug from the wall socket before cleaning.
- Keep the inside of the oven clean. When food splatters or spilled liquids adhere to oven walls, wipe with a damp cloth. Mild detergent may be used if the oven gets very dirty. Avoid the use of spray and other harsh cleaners as they may stain, streak or dull the door surface.
- The outside surfaces should be cleaned with a damp cloth. To prevent damage to the operating parts inside the oven, water should not be allowed to seep into the ventilation openings.
- Wipe the window on both sides with a damp cloth to remove any spills or splatters.
- Do not allow the control panel to become wet. Clean with a soft, damp cloth. When cleaning the control panel, leave oven door open to prevent oven from accidentally turning on.
- If steam accumulates inside or around the outside of the oven door, wipe with a soft cloth. This may occur when the microwave oven is operated under high humidity conditions. In such case, it is normal.
- It is occasionally necessary to remove the glass tray for cleaning. Wash the tray in warm sudsy water or in a dishwasher.
- The turntable and oven floor should be cleaned regularly to avoid excessive noise. Simply wipe the bottom surface of the oven with mild detergent. The turntable may be washed in mild sudsy water or dishwasher. When removing the turntable from cavity floor for cleaning, be sure to replace in the proper position.
- Remove odors from your oven by combining a cup of water with the juice and peel of one lemon in a deep microwaveable bowl, microwave for 5 minutes. Wipe thoroughly and dry with a soft cloth.
- When it becomes necessary to replace the oven light, please consult a dealer to have it replaced.
- The oven should be cleaned regularly and any food deposits removed. Failure to maintain the oven in a clean condition could lead to deterioration of the surface

that could adversely affect the life of the appliance and possibly result in a hazardous situation.


- Please do not dispose this appliance into a domestic garbage receptacle; it should be disposed of at the particular disposal center provided by the municipalities.

TROUBLESHOOTING TIPS

Problem	Possible Cause	Possible Remedy
Oven will not start	<ul style="list-style-type: none"> • Electrical cord for oven is not plugged in. • Oven door is open. • Wrong procedure or sequence entered 	<ul style="list-style-type: none"> • Be sure that unit is plugged into the outlet. • Close the oven door and retry • Check instructions to be sure that procedure is correct
Arcing or sparking	<ul style="list-style-type: none"> • Materials to be avoided in microwave oven were used. • The oven is operated when empty. • Spilled food remains in the cavity. 	<ul style="list-style-type: none"> • Use microwave-safe cookware only. • Do not operate with oven empty. • Clean cavity with wet towel
Unevenly cooked foods	<ul style="list-style-type: none"> • Materials to be avoided in microwave oven were used. • Food is not defrosted completely • Cooking time, power level is not suitable. • Food is not turned or stirred. 	<ul style="list-style-type: none"> • Use microwave-safe cookware only. • Completely defrost food • Use correct cooking time and/or power level. • Turn or stir food.
Overcooked foods	<ul style="list-style-type: none"> • Cooking time, power level is not suitable. 	<ul style="list-style-type: none"> • Use correct cooking time and/or power level.
Undercooked foods	<ul style="list-style-type: none"> • Materials to be avoided in microwave oven were used. • Food is not defrosted completely. • Oven ventilation ports are restricted • Cooking time, power level is not suitable. 	<ul style="list-style-type: none"> • Use microwave-safe cookware only. • Completely defrost food. • Check to see that oven ventilation ports are not restricted • Use correct cooking time and/or power level.
Improper defrosting	<ul style="list-style-type: none"> • Materials to be avoided in microwave oven were used. • Cooking time, power level is not suitable. • Food is not turned or stirred. 	<ul style="list-style-type: none"> • Use microwave-safe cookware only. • Use correct cooking time and/or power level. • Turn or stir food.

TECHNICAL SPECIFICATIONS

Power Consumption:	120V~60Hz
Output:	900W
Net Weight: Approx.	29.98 lb.
Outside Dimensions(WxDxH):	18.90 x 11.51 x 13.86 in.
Oven Cavity Dimensions(WxDxH):	12.4x13.05x9.27 in.
Package Dimensions (WxDxH):	21.34x16.22x13.11 in.
Cooking Uniformity:	Turntable System
Turntable Diameter Size:	11.22 in

	<p>CORRECT DISPOSAL OF THIS PRODUCT</p> <p>This symbol on the product or in its packing indicates that this product may not be a household waste. Instead, it should be taken to the appropriate waste collection point for the recycling of electrical and electronic equipment. By ensuring this product is disposed of correctly, you will help prevent potential negative consequences for the environment and human health, which could otherwise be caused by the inappropriate waste handling of this product. For more detailed information about the recycling of this product, please contact your local council, your household waste disposal service, or the shop where you purchased the product.</p>
---	--

CUSTOMER SUPPORT

Visit our website to contact us, find answers to Frequently Asked Questions, and for other resources which may include an updated version of this user's manual.




www.impecca.com

If you wish to contact us by phone, please be sure to have your model number and serial number ready and call us between 9:00am and 6:00pm ET, at +1 866-954-4440.

Keep tabs on Impecca's newest innovations and enter contests via our social network feeds:

 www.facebook.com/Impecca/

 www.instagram.com/impecca/

 [@impeccausa](https://twitter.com/impeccausa)

SIX MONTH LIMITED WARRANTY

IMPECCA SIX MONTH LIMITED WARRANTY {36590}

Impecca® warrants this product against defects in material and workmanship to the original purchaser as specified below. Please register your product online within fourteen (14) days of purchase.

PARTS - if the product is determined to have a manufacturing defect, within a period of six (6) months from the date of the original purchase, Impecca® will repair or replace the product parts at no charge (for parts) to consumers in the U.S.A. and Canada.

LABOR - if the product is determined to have a manufacturing defect, within a period of thirty (30) Days from the date of the original purchase, Impecca® will repair or replace the product at no charge to consumers in the U.S.A. and Canada. After thirty (30) Days, it will be the responsibility of the consumer.

Shipping costs to and from our warranty service center are the sole responsibility of the consumer.

To obtain warranty service by an authorized Impecca® service center, please email us at: service@impecca.com to obtain a Repair and Maintenance Authorization (RMA) number and to locate the Warranty Service Center nearest you. Once authorized, you must mail the product to the authorized Impecca® service center in its original product packaging materials or equivalent, to prevent damage while in transit.

Further, should Impecca® determine that the product is outside of the Warranty terms, Impecca® will return the product to sender at sender's expense without being repaired or replaced, unless authorized by the consumer to service the out-of-warranty product at consumer's expense. All handling or restocking charges for returns and/or replacements shall be non-refundable.

Impecca® specifically excludes from this warranty any non-electric/mechanical attachments, accessories, and disposable parts including, but not limited to, outside case, connecting cables, batteries, and AC adapters. Impecca® reserves the right to repair or replace defective products with the same, equivalent, or newer models.

We reserve the right to either repair or replace product at our discretion. Replacement may be either new or refurbished and while every endeavor will be made to ensure it is the same model, if same model is not available, it will be replaced with a model of equal or higher specification.

Normal "Wear and Tear" is not covered by this, or any other, warranty. Further, Impecca® hereby reserves the right to determine "Wear and Tear" on any and

all products. Tampering or opening the product casing or shell will void this warranty in its entirety.

In addition, this warranty does not apply if the product has been damaged by accident, abuse, misuse, or misapplication; has been altered or modified without the written permission of Impecca®; has been serviced by a non-authorized repair center of Impecca®; has not been properly maintained or operated according to the operation manual; has been used for commercial, non-household purposes; has been cosmetically damaged; was not imported by Impecca®; was not manufactured according to specification of the United States market; was damaged due to improper installation or neglect by the consumer; was damaged due to improper packaging in shipment to the Warranty Service Center; was damaged due to natural disasters; or if the serial number for the product has been removed or defaced.

ALL IMPLIED WARRANTIES, INCLUDING IMPLIED WARRANTIES OF MERCHANTABILITY AND FITNESS FOR A PARTICULAR PURPOSE ARE LIMITED IN DURATION TO SIX (6) MONTHS PARTS AND THIRTY (30) DAYS LABOR FROM THE DATE OF THE ORIGINAL RETAIL PURCHASE OF THIS PRODUCT.

THESE WARRANTIES AND REMEDIES ARE THE SOLE AND EXCLUSIVE WARRANTIES AND REMEDIES IN CONNECTION WITH THE SALE AND USE OF THE PRODUCT. NO OTHER WARRANTIES, ORAL OR WRITTEN, EXPRESSED OR IMPLIED, ARE GIVEN.

IMPECCA® IS NOT RESPONSIBLE OR LIABLE FOR ANY DAMAGE, WHETHER SPECIAL, INCIDENTAL, CONSEQUENTIAL, DIRECT OR OTHERWISE, OR WHETHER KNOWN OR SHOULD HAVE BEEN KNOWN TO IMPECCA®, INCLUDING LOSS PROFITS, GOODWILL, AND PROPERTY AND PERSONAL INJURY RESULTING FROM ANY BREACH OF WARRANTY, THE INABILITY TO USE THE PRODUCT OR UNDER ANY LEGAL THEORY IN CONTRACT OR TORT. IMPECCA LIABILITY IS LIMITED TO THE ACTUAL PURCHASE PRICE PAID TO THE RETAIL SELLER OF THE DEFECTIVE PRODUCT.

No Impecca® dealer, agent, or employee is authorized to make any modification, extension, change or amendment to this warranty without the written consent and authorization from Impecca®.

Some states do not allow the exclusion or limitation of implied warranties or liability for incidental or consequential damages, or do not allow a limitation on how long an implied warranty lasts, so the above limitations or exclusions may not apply to you. This warranty gives you specific legal rights, and you may have other rights, which vary from state to state.

Important: Be Sure to Register Your Product at WWW.IMPECCA.COM within 14 Days

Impecca® USA • PA 18711 • www.impecca.com • service@impecca.com

**Do not send any returns to this address, as they may be lost and this will delay your repair and service process.*

TABLA DE CONTENIDO

INSTRUCCIONES IMPORTANTES DE SEGURIDAD.	19
PRECAUCIONES Y ADVERTENCIAS.	20
IMPORTANTE: CONEXIÓN ELÉCTRICA A TIERRA	21
INSTALACIÓN DEL HORNO MICROONDAS	22
CONOZCA SU HORNO MICROONDAS	23
FUNCIONAMIENTO DEL PANEL DE CONTROL.	24
GUÍA DE UTENSILIOS Y MATERIALES	27
TÉCNICAS CULINARIAS.	30
LIMPIEZA Y CUIDADO	31
CONSEJOS PARA SOLUCIONAR PROBLEMAS	32
ESPECIFICACIONES TÉCNICAS	33
SOPORTE AL CLIENTE	33
GARANTÍA LIMITADA DE SEIS MESES (US)	34

INSTRUCCIONES IMPORTANTES DE SEGURIDAD

GUARDE ESTAS INSTRUCCIONES. PUEDE QUE LAS NECESITE EN EL FUTURO.

ADVERTENCIA: CUIDADO CON LA EXPOSICIÓN A UN EXCESO DE ENERGÍA DE MICROONDAS

Para reducir el riesgo de quemaduras, descargas eléctricas, incendios, lesiones a personas (usted mismo u otros) o exposición a un exceso de energía de microondas al utilizar su aparato, siga las precauciones básicas de seguridad, incluyendo las siguientes:

No intente utilizar este horno con la puerta abierta; esto puede provocar una exposición nociva a la energía de microondas. No anule ni manipule las protecciones de seguridad internas.

No coloque ningún objeto entre la cara frontal del horno y la puerta ni permita que se acumule suciedad u otros residuos en las superficies de sellado.

No utilice el horno si está dañado. Es importante que la puerta del horno cierre correctamente y que no haya daños en el:

- **PUERTA (doblada)**
- **BISAGRAS Y CIERRES (rotos o sueltos)**
- **JUNTAS DE LA PUERTA Y SUPERFICIE DE SELLADO**

El horno no debe ser ajustado ni reparado por nadie excepto por personal de servicio debidamente cualificado.

SÓLO PARA USO DOMÉSTICO
GUARDE ESTAS INSTRUCCIONES

PRECAUCIONES Y ADVERTENCIAS

Revise cuidadosamente todas estas especificaciones y advertencias ANTES de operar su horno microondas. El no hacerlo puede causar daños, lesiones o daños corporales incluyendo incapacidad permanente y/o la muerte.

- Como con la mayoría de los aparatos de cocina, supervise atentamente su uso para reducir el riesgo de incendio en el horno.
- Para reducir el riesgo de incendio mientras cocina, asegúrese de tomar las siguientes precauciones adicionales:
- No cocine demasiado los alimentos. Vigile atentamente el aparato cuando introduzca papel, plástico u otros materiales combustibles en el interior del horno para facilitar la cocción
- Retire los cierres de alambre y las asas metálicas de los recipientes o bolsas de papel o plástico antes de introducirlos en el horno.
- Si los materiales del interior del horno se inflaman, mantenga la puerta del horno cerrada Apague el horno y desenchufe el aparato. Desconecte el cable de alimentación, corte la corriente en el panel de fusibles o disyuntores
- No utilice la cavidad del horno para guardar objetos No deje productos de papel, utensilios de cocina o alimentos en el horno cuando no esté en uso
- Este horno debe estar conectado a tierra con un tomacorriente correctamente conectado a tierra. Consulte la sección "CONEXIÓN A TIERRA ELÉCTRICA"
- Instale o coloque este horno siguiendo estrictamente las instrucciones de instalación proporcionadas
- Algunos productos, como los huevos enteros, y los recipientes herméticos, como los tarros de cristal, pueden explotar y no deben calentarse en el horno.
- No utilice productos químicos corrosivos o vapores en o cerca del aparato. Este horno está diseñado específicamente para calentar o cocinar o secar alimentos en un entorno de consumo doméstico. No está diseñado para uso industrial o de laboratorio
- Como con cualquier aparato, es necesaria una estrecha supervisión cuando lo utilizan los niños.
- No utilice el horno si el cable o el enchufe están dañados, si no funciona correctamente o si se ha caído o dañado.
- Este aparato sólo debe ser reparado por personal técnico cualificado. Póngase en contacto con el servicio técnico para obtener información sobre el centro de servicio autorizado más cercano para su examen, reparación o ajuste.
- No cubra ni bloquee las aberturas del horno.
- No almacene ni utilice este aparato al aire libre. No utilice este horno cerca del agua, por ejemplo, cerca de un fregadero de cocina, en un sótano húmedo, cerca de una piscina o lugares similares.

- No sumerja el cable ni el enchufe en agua.
- Mantenga el cable alejado de superficies calientes.
- No deje que el cable cuelgue del borde de una mesa o mostrador
- Cuando limpie la puerta y las superficies del horno, utilice únicamente jabones o detergentes suaves y no abrasivos aplicados con una esponja o paño húmedo.
- Los líquidos, como el agua, el café o el té, pueden sobrecalentarse más allá del punto de ebullición sin que parezca que hierven. No siempre se produce un burbujeo o ebullición visibles cuando se saca el recipiente del microondas. Esto puede provocar que los líquidos hirvientes se desborden repentinamente cuando se agita el recipiente o se introduce una cuchara u otro utensilio en el líquido.
- No sobrecaliente el líquido. Remueva el líquido antes de calentarlo y a mitad de su calentamiento. No utilice recipientes de lados rectos y cuello estrecho. Después de calentarlo, deje reposar el recipiente en el horno microondas durante un breve espacio de tiempo antes de sacarlo. Tenga mucho cuidado al introducir una cuchara u otro utensilio en el recipiente

IMPORTANTE: CONEXIÓN ELÉCTRICA A TIERRA

PELIGRO: RIESGO DE DESCARGA ELÉCTRICA

- Tocar los componentes internos de este horno puede causar lesiones personales graves o incluso la muerte.
- No desmonte este aparato.

ADVERTENCIA: PELIGRO DE DESCARGA ELÉCTRICA

- El uso incorrecto del enchufe de conexión a tierra puede provocar una descarga eléctrica. No enchufe el horno a una toma de corriente a menos que la toma esté correctamente instalada y conectada a tierra.

ENCHUFE DE TRES CLAVIJAS (TOMA DE TIERRA)

Este aparato debe estar conectado a tierra. En caso de que se produzca un cortocircuito eléctrico, la conexión a tierra reduce el riesgo de descarga eléctrica al proporcionar un cable de escape para la corriente eléctrica. Este aparato está equipado con un cable de conexión a tierra con el tercer enchufe redondo de conexión a tierra. El enchufe debe conectarse a una toma de corriente que esté correctamente instalada y conectada a tierra. Consulte a un electricista o técnico cualificado si no comprende completamente las instrucciones de conexión a tierra o si tiene dudas sobre si el aparato está correctamente conectado a tierra. Si es necesario utilizar un cable alargador, utilice únicamente un cable alargador de 3 hilos con un enchufe de 3 clavijas con toma de tierra y un receptáculo de 3 ranuras que acepte el enchufe del aparato. El valor nominal marcado del cable alargador debe ser igual o superior al valor nominal eléctrico del aparato

- Se suministra un cable de alimentación corto para reducir los riesgos derivados de enredarse o tropezar con un cable más largo.

- Existen juegos de cables más largos o alargadores que pueden utilizarse con mucho cuidado.
- Si se utiliza un juego de cables largos o un alargador:
- La capacidad eléctrica marcada del juego de cables o del alargador debe ser como mínimo igual a la capacidad eléctrica del aparato.
- El alargador debe ser un cable de 3 hilos con toma de tierra.
- El cable más largo debe colocarse de forma que no caiga sobre la encimera o la mesa, donde los niños podrían tirar de él o tropezar accidentalmente.

INTERFERENCIAS DE RADIO

El funcionamiento del horno microondas puede causar interferencias en su equipo de radio, TV o similar. Cuando haya interferencias, éstas pueden reducirse o eliminarse tomando las siguientes medidas:

- Limpie la puerta y la superficie de sellado del horno
- Reorientar la antena receptora de radio o televisión
- Reubicar el horno microondas con respecto al receptor
- Aleje el horno microondas del receptor
- Enchufe el horno microondas en una toma de corriente diferente para que el horno microondas y el receptor estén en circuitos derivados diferentes.

INSTALACIÓN DEL HORNO MICROONDAS

Antes de la instalación y el funcionamiento:

- Retire todo el material de embalaje y los accesorios
- Examine el horno para detectar cualquier daño, como abolladuras o una puerta rota. Si la unidad está dañada, no la instale. Póngase en contacto con el servicio técnico o con el lugar de compra
- Retire cualquier película protectora que se encuentre en la superficie del gabinete del horno de microondas. Advertencia: No retire la cubierta de mica de color marrón claro que está fijada a la cavidad del horno para proteger el magnetrón

DIRECTRICES DE INSTALACIÓN

- Seleccione una superficie nivelada y estable que proporcione suficiente espacio abierto para las aberturas de entrada y/o salida. El bloqueo de las aberturas de entrada y/o salida puede dañar el horno. No coloque el horno donde se genere calor, humedad o humedad elevada
- Se requiere un espacio mínimo de 75 cm entre el horno y las paredes adyacentes. Un lado debe estar abierto para una correcta ventilación y dispersión del calor
- Deje un espacio libre mínimo de 30 cm por encima del horno.
- Coloque el horno lo más lejos posible de radios y televisores
- Enchufe el horno a una toma de corriente doméstica estándar. Asegúrese de que el

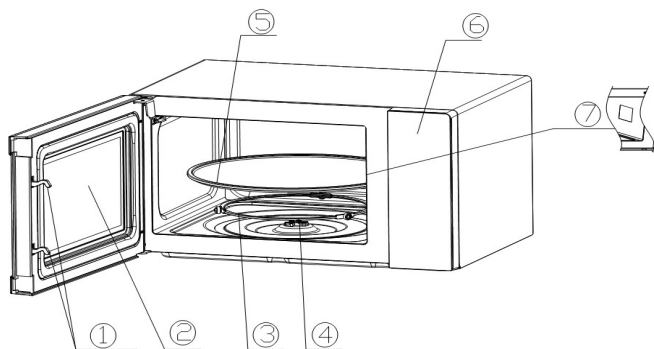
voltaje y la frecuencia coinciden con los indicados en la etiqueta.

- Asegúrese de que el cable de alimentación no esté dañado y no pase por debajo del horno microondas ni por superficies calientes o afiladas.
- El enchufe debe ser fácilmente accesible para poder desenchufarlo fácilmente en caso de emergencia.

INSTALACIÓN DE LA PLATAFORMA GIRATORIA

- Su microondas debería venir con el eje giratorio ya instalado. La bandeja de cristal debe descansar perfectamente centrada sobre las ruedas del eje para funcionar correctamente
- No haga funcionar el horno sin que la bandeja de cristal y el husillo estén en sus posiciones correctas

CONOZCA SU HORNO MICROONDAS



- 1. Cierre de la puerta:** Asegúrese de que la puerta del horno microondas esté bien cerrada para un funcionamiento correcto
- 2. Ventana de visualización:** Esta ventana permite a los usuarios supervisar el estado de cocción
- 3. Anillo giratorio:** el plato giratorio de cristal se asienta sobre ruedas que lo sostienen y equilibran durante la rotación.
- 4. Eje de rotación:** la plataforma giratoria de cristal se coloca sobre este eje, que es accionado por el motor situado debajo, lo que permite la rotación
- 5. Plato giratorio:** Coloque primero el anillo giratorio y, a continuación, encaje el plato giratorio en el eje giratorio, asegurándose de que esté bien alineado. La rotación del plato giratorio ayuda a cocinar los alimentos de manera uniforme
- 6. Panel de control:** Consulte las instrucciones detalladas a continuación. Tenga en cuenta que el panel de control puede estar sujeto a cambios sin previo aviso
- 7. Cubierta de la guía de ondas:** Esta cubierta se encuentra en el interior del horno microondas, junto a la pared del panel de control. Nunca intente retirar la cubierta de la guía de ondas.

Instrucciones detalladas del panel de control: Consulte el manual adjunto para obtener detalles y funciones específicas del panel de control, ya que las características del panel de control pueden cambiar sin previo aviso

FUNCIONAMIENTO DEL PANEL DE CONTROL

1. ANTES DE COCINAR

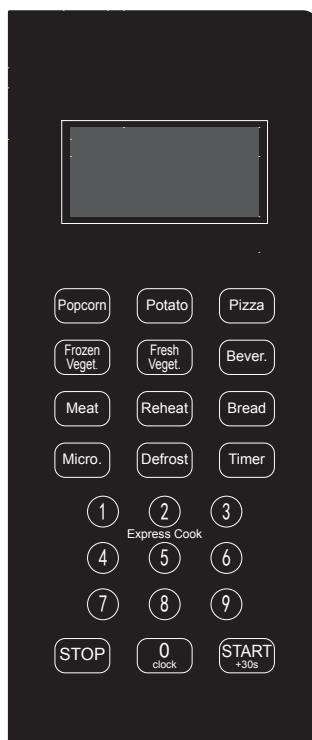
- Cuando la fuente de alimentación esté enchufada, la pantalla se iluminará y, a continuación, entrará en modo de espera, mostrando "1:00 ."

2. FUNCIÓN MICROONDAS

- Este microondas ofrece diez niveles de potencia: 100P, 90P, 80P, 70P, 60P, 50P, 40P, 30P, 20P y 10P. Para seleccionar la potencia de microondas deseada:
- Mantenga pulsado el botón "Power" hasta que aparezca el nivel de potencia deseado.
- Introduzca el tiempo de cocción con los botones numéricos 0~9; el tiempo máximo es 99:99 .
- Después de introducir el tiempo de cocción, pulse el botón "START/+30s" para comenzar. Un zumbador sonará cuando la operación se haya completado.

Notas adicionales:

- El tiempo máximo de cocción permitido es de 99 minutos y 99 segundos .
- No utilice nunca la rejilla del grill durante la cocción con microondas.
- No utilice el horno vacío .
- A la máxima potencia de microondas, el horno reducirá automáticamente la potencia después de un cierto tiempo de cocción para prolongar la vida útil .
- Si da la vuelta a los alimentos durante la cocción, pulse una vez el botón "Start/+30s" y el procedimiento de cocción preestablecido continuará.
- Para detener la cocción antes del tiempo preestablecido, pulse el botón Stop una vez para borrar el procedimiento preestablecido y evitar un funcionamiento involuntario durante el siguiente uso .



Nota: El aspecto real del producto puede variar ligeramente.

ALTO	100% y 90% de potencia	(Aplicable para una cocción rápida y completa)
Medio Alto	80% y 70% de potencia	(Aplicable para cocción exprés media)
Medio	60% y 50% de potencia	(Aplicable para alimentos al vapor)
Medio Bajo	40% y 30% de potencia	(Aplicable para descongelar alimentos)

3. DESCONGELAR

- Hay dos modos de descongelación, DEF1 y DEF2, para descongelar por peso y por tiempo, respectivamente.
- Pulse el botón "Descongelar" para elegir entre descongelar por peso o por tiempo, y la pantalla mostrará "DEF1" o "DEF2."
- Introduzca el peso del alimento o el tiempo de descongelación utilizando los botones numéricos 0~9. El rango de peso para DEF1 es de 4 a 50 oz, y DEF2 permite una entrada máxima de tiempo de 99:99
- Después de introducir los datos, pulse el botón "START/+30s" para comenzar. Un zumbador sonará cuando la operación se haya completado. DEF1 por peso le pedirá que dé la vuelta a los alimentos durante la descongelación.

dEF1	Para descongelar, el peso oscila entre 4 y 50 oz .
dEF2	Para la descongelación, el tiempo máximo es de 99:99 .

Consejos de descongelación:

- Gire los alimentos durante el funcionamiento para una descongelación uniforme .
- La descongelación suele requerir más tiempo que la cocción .
- Si puede cortar los alimentos con un cuchillo, considere que el proceso de descongelación ha finalizado.
- La penetración de las microondas es de aproximadamente 4 cm en la mayoría de los alimentos .
- Consuma rápidamente los alimentos descongelados; no es aconsejable volver a congelarlos.

4. AUTO COCCIÓN

- Este microondas ofrece ocho menús automáticos: palomitas, patatas, pizza, verduras congeladas, verduras frescas, bebidas, carne y pan . Para utilizar estos menús:
- Seleccione el botón de menú automático deseado .
- Pulse continuamente el botón de menú correspondiente para seleccionar el peso de alimento deseado, que se mostrará .
- Después de seleccionar el peso de cocción, pulse el botón "START/+30s" para comenzar . Un zumbador sonará cuando la operación se haya completado .

Pantalla	Tipo	Método
A.1	Palomitas de maíz	El peso opcional es de 3,5 oz.
A.2	Patata	Los pesos opcionales son 9oz, 18oz y 27oz .
A.3	Pizza	Los pesos opcionales son 7oz y 14oz .
A.4	Verduras congeladas	Los pesos opcionales son 7oz, 14oz y 21oz .
A.5	Verduras frescas	Los pesos opcionales son 7oz, 14oz y 21oz .

A.6	Bebida	Los pesos opcionales son 1 taza, 2 tazas o 3 tazas, cada uno de unos 9oz .
A.7	Carne	Los pesos opcionales son 7oz, 14oz y 21oz .
A.8	Pan	Los pesos opcionales son 3,5 oz, 7 oz, 10,5 oz, 14 oz y 17,5 oz .

Consejos adicionales:

- Asegúrese de que la temperatura de los alimentos antes de la cocción es de 20-25°C . Ajuste el tiempo de cocción para temperaturas de inicio más altas o más bajas .
- La temperatura, el peso y la forma de los alimentos pueden afectar significativamente a los resultados de la cocción . Ajuste el tiempo de cocción para obtener resultados óptimos si estos factores se desvían de los ajustes del menú .

5. TEMPORIZADOR

- En el modo de espera, pulse este botón para acceder a la interfaz de configuración del temporizador . El icono de la función de cuenta atrás y "0:00" aparecerán en la pantalla .
- Introduzca el tiempo deseado utilizando los botones numéricos 0~9; el tiempo máximo es 99:99 . Después de ajustar el tiempo, pulse el botón "START/+30s" para iniciar la cuenta atrás . Un zumbador sonará cuando se complete la cuenta atrás .

6. RECALENTAR

- La función de recalentamiento permite a los usuarios calentar los alimentos en función de su peso . Pulse continuamente el botón "Recalentar" para elegir el peso adecuado de los alimentos (7 oz, 14 oz, 21 oz, 28 oz o 35 oz) .
- Después de seleccionar el peso, pulse el botón "START/+30s" para comenzar . Un zumbador sonará cuando la operación se haya completado .

7. COCINA EXPRESS

- **7.1** En el modo de espera, pulse los números 1~6 para poner en marcha el horno microondas; cada número corresponde a 1-6 minutos de cocción .
- Después de seleccionar el tiempo, pulse el botón "START/+30s" para comenzar . Un zumbador sonará cuando la operación se haya completado .
- **7.2** En el modo de espera, después de colocar los alimentos en el horno y cerrar la puerta, pulse el botón "START/+30s" para poner en marcha rápidamente el microondas con un tiempo de trabajo predeterminado de 30 segundos .
- Durante la cocción, pulse una vez el botón "START/+30s" para añadir 30 segundos al tiempo de cocción . Tenga en cuenta que esta opción no está disponible en el modo menú ni en el modo descongelación por peso .
- En modo pausa, pulsando el botón "START/+30s" se reanudará el modo de cocción anterior .

8. 0/Reloj

El botón "0/Clock" combina la función de reloj y el botón "0" . El reloj funciona con un sistema de 12 horas. A continuación se explica cómo ajustar el reloj:

En modo de espera, mantenga pulsada la tecla "0/Reloj" durante más de 3 segundos para acceder a la interfaz de ajuste del reloj .

Utilice los botones numéricos 0~9 para introducir directamente la hora del reloj y, a continuación, pulse el botón "START/+30s" para confirmar la hora y salir del modo de ajuste del reloj .

9. STOP

- Durante el proceso de configuración de la cocción, pulse el botón "STOP" para cancelar los ajustes y volver al modo de espera .
- Mientras el microondas está en funcionamiento, pulse el botón "STOP" para hacer una pausa .
- En el modo de espera, pulsando de nuevo el botón "STOP" se cancelará cualquier función y se volverá al modo de espera.

10. START/+30s

- Después de ajustar el tiempo de cocción o el peso del alimento, pulse el botón "START/+30s" para iniciar el microondas inmediatamente .
- Mientras el microondas está en funcionamiento, pulse este botón para aumentar el tiempo en 30 segundos con cada pulsación (excepto en los modos menú o descongelación por peso) .
- En el modo de pausa, al pulsar este botón, el funcionamiento del microondas continuará desde donde se quedó antes de la pausa .

11. FUNCIÓN DE BLOQUEO PARA NIÑOS

- Utilice esta función para bloquear el panel de control para su limpieza o para evitar el uso no supervisado por niños .
- Para activarla, mantenga pulsada la tecla "STOP" durante 3 segundos en modo de espera . "LOC" aparecerá en la pantalla .
- Para desactivarlo, vuelva a mantener pulsado el botón "STOP" durante 3 segundos y "LOC" desaparecerá de la pantalla.

GUÍA DE UTENSILIOS Y MATERIALES

Las microondas son atraídas y absorbidas por las moléculas de grasa, azúcar y agua de los alimentos, provocando su movimiento, lo que produce fricción y calor que cocina los alimentos.

1. No caliente aceite o grasa para freír Es difícil controlar la temperatura del aceite en el horno microondas
2. Perfore los alimentos con piel gruesa, como las patatas, la calabaza entera, las manzanas y las castañas, antes de cocinarlos.

3. El contenido de los biberones y potitos de bebe debe removerse o agitarse y debe comprobarse la temperatura antes de servirlos para evitar quemaduras graves.

Al cocinar en el microondas, la cantidad, el tamaño y la forma, la temperatura inicial, la composición y la densidad de los alimentos afectan a los resultados de la cocción. Los utensilios de cocina y la vajilla deben caber en el plato giratorio. Utilice siempre guantes de cocina o agarraderas al manipularlos, ya que cualquier plato puede calentarse por el calor transferido por los alimentos. No utilice utensilios de cocina ni vajillas con adornos dorados o plateados

COMPROBACIÓN DE LOS UTENSILIOS DE COCINA Y VAJILLA PARA SU USO EN MICROONDAS

Puede haber ciertos utensilios, baterías de cocina y vajillas no metálicos que no sean seguros para su uso en microondas. En caso de duda, puede probar el utensilio en cuestión siguiendo el siguiente procedimiento:

1. Ponga la batería de cocina, los utensilios o la vajilla en el horno microondas con 1 taza (250 ml) de agua al lado.
2. Cocine al 100% de potencia durante 1 minuto Nota: Al realizar la prueba, no exceda el tiempo de cocción de 1 minuto.
3. No utilice utensilios de cocina, o vajillas si se calientan y el agua permanece fría

MATERIALES RECOMENDADOS

- Plato para dorar en microondas - Utilícelo para dorar el exterior de piezas pequeñas como filetes, chuletas o tortitas. Siga las instrucciones de su plato para dorar
- Envoltorio de plástico para microondas - Se utiliza para retener el vapor. Deje una pequeña abertura para que salga algo de vapor y evite colocarlo directamente sobre los alimentos
- Toallas y servilletas de papel - Utilícelas para calentar y cubrir a corto plazo; absorben el exceso de humedad y evitan las salpicaduras. No utilice toallas de papel reciclado, que pueden contener metal y podrían incendiarse.
- Cuencos y platos de vidrio y vitrocerámica - Para calentar o cocinar
- Platos y vasos de papel - Utilícelos para calentamiento de corta duración a bajas temperaturas. No utilice papel reciclado, que puede contener metal y podría incendiarse
- Papel encerado - Utilícelo como cubierta para evitar salpicaduras

USO LIMITADO

Se puede utilizar papel de aluminio y algo de metal en el horno microondas. **Si no se utiliza correctamente, se puede producir un arco eléctrico (un destello azul de luz) y causar daños en el horno microondas.**

- Papel de aluminio - Utilice tiras estrechas de papel de aluminio para evitar que las zonas expuestas se cocinen demasiado. Utilizar demasiado papel de alumi-

nio puede dañar el horno, así que tenga cuidado. Debe mantener una distancia de 1 pulgada (254 cm) entre el papel de aluminio y la cavidad

- Cerámica, porcelana y gres: utilícelos si están etiquetados como "aptos para microondas". Si no están etiquetados, pruébelos para asegurarse de que se pueden utilizar de forma segura.
- Plástico - Utilizar sólo si lleva la etiqueta "Microwave Safe". Otros plásticos pueden fundirse
- Termómetros - Utilice sólo los que lleven la etiqueta "Microwave Safe" (apto para microondas) y siga todas las instrucciones. Compruebe los alimentos en varios lugares. Se pueden utilizar termómetros convencionales en los alimentos para microondas una vez que se hayan sacado del horno.

NO RECOMENDADO

- Frascos y botellas de vidrio - El vidrio normal es demasiado fino para utilizarlo en el microondas. Puede romperse y causar daños y lesiones.
- Bolsas de papel - Representan un peligro de incendio, excepto las bolsas para palomitas de maíz diseñadas para su uso en microondas.
- Platos y vasos de espuma de poliestireno: pueden derretirse y dejar residuos poco saludables en los alimentos.
- Recipientes de plástico para almacenar alimentos - Los recipientes como las tarrinas de margarina pueden derretirse en el microondas.
- Utensilios metálicos - Pueden dañar su horno. Retire todo el metal antes de cocinar
- No se deben utilizar en el horno microondas utensilios de cocina y repostería metálicos, dorados, plateados, de peltre, termómetros de carne no homologados, brochetas, bridas, envoltorios de papel de aluminio como los de los bocadillos, grapas y objetos con adornos dorados o plateados o con un esmalte metálico.

TÉCNICAS CULINARIAS

El microondas hace que cocinar sea más fácil que la cocina convencional, siempre que tengas en cuenta estas consideraciones:

REVOLVIENDO

Remueva alimentos como guisos y verduras durante la cocción para distribuir el calor uniformemente. Los alimentos de la parte exterior del plato absorben más energía y se calientan más rápidamente, así que remueva desde el exterior hacia el centro. El horno se apagará cuando abra la puerta para remover los alimentos

ARREGLO

Coloque los alimentos de forma irregular, como trozos de pollo o chuletas, con las partes más gruesas y carnosas hacia el exterior del plato giratorio, donde reciben más energía de las microondas. Para evitar que se cocinen demasiado, coloque las zonas delicadas, como las puntas de los espárragos, hacia el centro del plato giratorio.

ESCUCHAR

Proteja los alimentos con tiras estrechas de papel de aluminio para evitar que se cocinen demasiado. Las zonas que necesitan protección son las puntas de las alas de las aves, los extremos de las patas de las aves y las esquinas de los platos cuadrados para hornear. Utilice sólo pequeñas cantidades de papel de aluminio. Las cantidades mayores pueden dañar el horno

GIRAR

Dé la vuelta a los alimentos a mitad de la cocción para exponer todas las partes a la energía de las microondas. Esto es especialmente importante con alimentos grandes como los asados

REPOSAR

Los alimentos cocinados en el microondas acumulan calor interno y continúan cocinándose durante unos minutos después de que se detenga el calentamiento. Deje reposar los alimentos para completar la cocción, especialmente alimentos como pasteles y verduras enteras. Los asados necesitan este tiempo para completar la cocción en el centro sin cocer demasiado las zonas exteriores. Todos los líquidos, como la sopa o el chocolate caliente, deben agitarse o removerse cuando se haya completado la cocción. Deje reposar los líquidos un momento antes de servir. Cuando calientes alimentos para bebés, remuévalos bien al retirarlos y compruebe la temperatura antes de servirlos

AÑADIR HUMEDAD

La energía de las microondas es atraída por las moléculas de agua. Los alimentos con un contenido de humedad desigual deben cubrirse o dejarse reposar para que el calor se disperse uniformemente. Añada una pequeña cantidad de agua a los alimentos secos para facilitar su cocción.

LIMPIEZA Y CUIDADO


- Apague el horno y desenchúfelo de la toma de corriente antes de limpiarlo.
- Mantenga limpio el interior del horno. Cuando las salpicaduras de comida o los líquidos derramados se adhieran a las paredes del horno, límpielas con un paño húmedo. Puede utilizar un detergente suave si el horno se ensucia mucho. Evite el uso de aerosoles y otros limpiadores fuertes, ya que pueden manchar, dejar rayas u opacar la superficie de la puerta.
- Las superficies exteriores deben limpiarse con un paño húmedo. Para evitar daños en las piezas de funcionamiento del interior del horno, no debe penetrar agua en las aberturas de ventilación
- Limpie la ventana por ambos lados con un paño húmedo para eliminar cualquier derrame o salpicadura.
- No permita que el panel de control se moje. Límpielo con un paño suave y húmedo. Cuando limpie el panel de control, deje la puerta del horno abierta para evitar que el horno se encienda accidentalmente.
- Si se acumula vapor en el interior o en el exterior de la puerta del horno, límpielo con un paño suave. Esto puede ocurrir cuando el horno microondas funciona en condiciones de alta humedad. En tal caso, es normal.
- De vez en cuando es necesario desmontar la bandeja de cristal para limpiarla. Lave la bandeja en agua tibia jabonosa o en el lavavajillas.
- El plato giratorio y el suelo del horno deben limpiarse regularmente para evitar ruidos excesivos. Simplemente limpie la superficie inferior del horno con un detergente suave. El plato giratorio puede lavarse en agua jabonosa suave o en el lavavajillas. Cuando retire el plato giratorio del suelo de la cavidad para limpiarlo, asegúrese de volver a colocarlo en la posición correcta.
- Elimine los olores de su horno combinando una taza de agua con el zumo y la cáscara de un limón en un recipiente hondo apto para microondas, introdúzcalo en el microondas durante 5 minutos. Límpielo bien y séquelo con un paño suave
- Cuando sea necesario sustituir la luz del horno, consulte a un distribuidor para que se la cambien.
- El horno debe limpiarse con regularidad y deben eliminarse los depósitos de alimentos. Si no se mantiene limpio, la superficie podría deteriorarse, lo que podría afectar negativamente a la vida útil del aparato y provocar situaciones de peligro.
- Por favor, no tire este aparato a un contenedor de basura doméstico; debe desecharse en el centro de eliminación específico proporcionado por los municipios.

CONSEJOS PARA SOLUCIONAR PROBLEMAS

Problema	Possible Cause	Possible Remedy
El horno no arranca	<ul style="list-style-type: none"> • El cable eléctrico del horno no está enchufado • La puerta del horno está abierta • Se ha introducido un procedimiento o secuencia erróneos 	<ul style="list-style-type: none"> • Asegúrese de que la unidad está enchufada a la toma de corriente • Cierre la puerta del horno y vuelva a intentarlo • Compruebe las instrucciones para asegurarse de que el procedimiento es correcto
Arcos o chispas	<ul style="list-style-type: none"> • Se utilizaron materiales que deben evitarse en el horno microondas • El horno funciona cuando está vacío • La comida derramada permanece en la cavidad 	<ul style="list-style-type: none"> • Utilice únicamente utensilios de cocina aptos para microondas • No utilizar con el horno vacío • Limpiar la cavidad con una toalla húmeda
Alimentos cocinados de forma desigual	<ul style="list-style-type: none"> • Se utilizaron materiales que deben evitarse en el horno microondas • Los alimentos no se descongelan completamente • El tiempo de cocción y el nivel de potencia no son adecuados • Los alimentos no se voltean ni se remueven 	<ul style="list-style-type: none"> • Utilice únicamente utensilios de cocina aptos para microondas • Descongelar completamente los alimentos • Utilice el tiempo de cocción y/o el nivel de potencia correctos • Girar o remover los alimentos
Alimentos demasiado cocidos	<ul style="list-style-type: none"> • - El tiempo de cocción y el nivel de potencia no son adecuados 	<ul style="list-style-type: none"> • - Utilice el tiempo de cocción y/o el nivel de potencia correctos
Alimentos poco cocinados	<ul style="list-style-type: none"> • Se utilizaron materiales que deben evitarse en el horno microondas • Los alimentos no se descongelan completamente • Los orificios de ventilación del horno están restringidos • El tiempo de cocción y el nivel de potencia no son adecuados 	<ul style="list-style-type: none"> • Utilice únicamente utensilios de cocina aptos para microondas • Descongelar completamente los alimentos • Compruebe que los orificios de ventilación del horno no estén obstruidos. • Utilice el tiempo de cocción y/o el nivel de potencia correctos
Descongelación incorrecta	<ul style="list-style-type: none"> • Se utilizaron materiales que deben evitarse en el horno microondas • El tiempo de cocción y el nivel de potencia no son adecuados • Los alimentos no se voltean ni se remueven 	<ul style="list-style-type: none"> • Utilice únicamente utensilios de cocina aptos para microondas • Utilice el tiempo de cocción y/o el nivel de potencia correctos • Girar o remover los alimentos

ESPECIFICACIONES TÉCNICAS

Consumo de energía:	120V~60Hz
Salida:	900W
Peso neto: Aprox	29,98 libras.
Dimensiones exteriores (AnxPrxAl):	18,90 x 11,51 x 13,86 pulgadas.
Dimensiones de la cavidad del horno (AnxPrxAl):	12,4x13,05x9,27 pulgadas.
Dimensiones del paquete (AnxPrxAl):	21,34x16,22x13,11 pulgadas.
Uniformidad de cocción:	Sistema de tocadiscos
Tamaño del diámetro del plato giratorio:	11,22 pulgadas

	ELIMINACIÓN CORRECTA DE ESTE PRODUCTO
	Este símbolo en el producto o en su embalaje indica que este producto no puede ser un residuo doméstico, sino que debe llevarse al punto de recogida de residuos adecuado para el reciclado de aparatos eléctricos y electrónicos. Si se asegura de que este producto se desecha correctamente, ayudará a evitar posibles consecuencias negativas para el medio ambiente y la salud humana, que de otro modo podrían ser causadas por la manipulación inadecuada de los residuos de este producto. Para obtener información más detallada sobre el reciclado de este producto, póngase en contacto con su ayuntamiento, su servicio de eliminación de residuos domésticos, o la tienda donde compró el producto.

SOPORTE AL CLIENTE

Para entrar en contacto visite nuestro sitio web, encuentre las respuestas a las Preguntas Frecuentes y para otros recursos que pueden incluir una versión actualizada de esta Guía de Usuario.

 www.impecca.com

Si desea contactarnos por teléfono, asegúrese de tener a la mano el número de modelo y de serie y llámenos entre las 9:00am y 6:00pm Tiempo del Este al +1 866-954-4440.

Manténgase al día sobre las novedades y mejoras de Impecca y forme parte de nuestros concursos a través de nuestras redes sociales:

 www.facebook.com/Impecca/

 www.instagram.com/impecca/

 @impeccausa

GARANTÍA LIMITADA DE SEIS MESES (US)



GARANTÍA LIMITADA DE SEIS MESES {36590}

Impecca® garantiza este producto contra defectos en material y obra al comprador original como se especifica abajo siempre y cuando el producto este registrado en línea dentro de los catorce (14) días de compra.

PARTES - Si se determina que el producto tiene defecto de fábrica, dentro de seis (6) meses a partir de la fecha de compra original, Impecca® reparará o reemplazará las partes del producto sin costo alguno (de las partes) para consumidores en Estados Unidos y Canadá.

LABOR - Si se determina que el producto tiene un defecto de fábrica, dentro de un periodo de treinta (30) días a partir de la fecha de compra original,, Impecca® reparará o reemplazará el producto sin costo alguno para consumidores en Estados Unidos y Canadá. Después de treinta (30) días será responsabilidad del consumidor.

Costos de embarque hacia y desde el Centro de Servicio de Garantía son la completa responsabilidad del consumidor.

Para obtener servicio de garantía por un centro de servicio autorizado de Impecca, por favor envíenos un correo electrónico a: service@impecca.com para obtener un número de Autorización de Reparación y Mantenimiento y para localizar el Centro de Servicio de Garantía mas cerca de usted. Una vez autorizado, usted debe enviar el artículo por correo al centro de servicios autorizado Impecca® en sus materiales de empaque de producto originales o equivalente, para prevenir daño en tránsito.

Además, si Impecca® determina que el producto está fuera de los términos de Garantía, Impecca® retornará el producto al remitente a cargo del remitente sin ser reparado o reemplazado, salvo que haya sido autorizado por el consumidor a dar servicio al producto fuera de garantía al costo del consumidor. Todos los cargos de manejo o por reposición por devoluciones y/o reemplazos no serán reembolsables.

Impecca® específicamente excluye de esta garantía aditamentos no-eléctricos/mecánicos, accesorios, y partes desechables incluyendo, pero no limitados a, caja externa, cables de conexión, baterías, y adaptadores AC. Impecca® se reserva el derecho a reparar o reemplazar productos con el mismo, equivalente, o modelo más nuevo.

Nos reservamos el derecho a reparar o reemplazar el producto a nuestra discreción. El reemplazo puede ser nuevo o reparado y aunque se hará todo lo posible por que sea el mismo modelo, si el mismo modelo no está disponible, será reemplazado con un modelo de la misma mayor especificación.

Desgaste normal no es cubierto por esta garantía. Además, Impecca® se reserva el derecho a determinar el "desgaste" en cualquier y todos los productos. Manipulación o apertura de la cubierta o tapadera del producto anulará esta garantía completamente.

La garantía no aplica si el producto ha sido dañado por accidente, abuso, mal uso, o mala aplicación; ha sido alterado o modificado sin el permiso expreso de Impecca® ; ha recibido servicio por un centro de reparación no autorizado por Impecca® ; no ha sido mantenido u operado de forma apropiada de acuerdo al manual de operación; ha sido usado para propósitos comerciales, no domésticos; ha sido dañado cosméticamente; no fue importado por Impecca® ; no fue fabricado de acuerdo a especificación del mercado de Estados Unidos; fue dañado debido a instalación no apropiada o negligencia del consumidor; fue dañado por empaque no apropiado en el embarque al Centro de Servicio de Garantía; fue dañado por desastre natural; o si el número de serie del producto ha sido removido o desfigurado.

TODAS LAS GARANTÍAS IMPLÍCITAS, INCLUYENDO GARANTÍAS DE COMERCIALIZACIÓN Y ADECUACIÓN IMPLÍCITAS PARA UN PROPOSITO PARTICULAR SON LIMITADAS EN DURACIÓN SEIS (6) MESES EN PARTES Y TREINTA (30) DÍAS EN LABOR DE LA FECHA DE LA COMPRA ORIGINAL AL DETALLE DE ESTE PRODUCTO.

ESTAS GARANTÍAS Y REMEDIOS SON LAS ÚNICAS Y EXCLUSIVAS GARANTÍAS Y REMEDIOS EN CONEXIÓN CON LA VENTA Y USO DEL PRODUCTO. NINGUNA OTRA GARANTÍA, ORAL O ESCRITA, EXPRESA O IMPLÍCITA SON DADAS.

IMPECCA® NO ES RESPONSABLE POR NINGÚN DAÑO, YA SEA ESPECIAL, ACCIDENTAL, CONSECUENTE, DIRECTO O DE OTRA MANERA, O YA SEA CONOCIDO O TUVO QUE HABER SIDO CONOCIDO POR IMPECCA®, INCLUYENDO GANANCIAS PERDIDAS, BUENA VOLUNTAD, Y LESIÓN PERSONAL O DE PROPIEDAD RESULTANTE DE CUALQUIER ROMPIMIENTO DE GARANTÍA, LA INHABILIDAD DE USAR EL PRODUCTO, O BAJO CUALQUIER TEORÍA LEGAL EN CONTRATO O AGRAVIO. LA RESPONSABILIDAD DE IMPECCA® ES LIMITADA AL PRECIO DE COMPRA ACTUAL PAGADO AL VENDEDOR DETALLISTA DEL PRODUCTO DEFECTUOSO.

Ningún comerciante, agente, o empleado de Impecca® está autorizado para hacer ninguna modificación, extensión, cambio o enmienda a esta garantía sin el consentimiento escrito y autorización de Impecca® .

Algunos estados no permiten la exclusión o limitación de garantías implícitas o responsabilidad por daños accidentales o consecuentes, o no permiten una limitación en el tiempo de duración de una garantía implícita, así que es posible que las limitaciones o exclusiones anteriores no apliquen a usted. Esta garantía le da a usted derechos legales específicos, y es posible que usted tenga otros derechos que varían de estado a estado.

Nota: Nuestro Centro de Servicio de Garantía embarca solamente dentro de Estados Unidos Continental, excluyendo Alaska y Hawái.

Importante: Asegúrese de Registrar su producto en WWW.IMPECCA.COM dentro de 14 Días.

Impecca® USA • PA 18711 • www.impecca.com • service@impecca.com

No envíe devoluciones a esta dirección ya que se pueden perder y esto atrasara el proceso de reparación y servicio.

TABLE DES MATIÈRES

INSTRUCTIONS IMPORTANTES EN MATIÈRE DE SÉCURITÉ	36
PRÉCAUTIONS ET AVERTISSEMENTS	37
IMPORTANT : MISE À LA TERRE ÉLECTRIQUE	38
INSTALLATION DU FOUR A MICRO-ONDES.	39
CONNAÎTRE SON FOUR À MICRO-ONDES	40
FONCTIONNEMENT DU PANNEAU DE CONTRÔLE	41
GUIDE DES USTENSILES ET DES MATÉRIAUX	45
TECHNIQUES CULINAIRES.	47
NETTOYAGE ET ENTRETIEN	48
CONSEILS DE DÉPANNAGE	49
SPÉCIFICATIONS TECHNIQUES.	50
SERVICE TECHNIQUE.	50
GARANTIE LIMITÉE DE SIX MOIS (US)	51

INSTRUCTIONS IMPORTANTES EN MATIÈRE DE SÉCURITÉ

CONSERVEZ CES INSTRUCTIONS. VOUS POURRIEZ EN AVOIR BESOIN À L'AVENIR.

AVERTISSEMENT : ATTENTION A L'EXPOSITION A L'ENERGIE MICRO-ONDE EXCESSIVE

Pour réduire les risques de brûlures, d'électrocution, d'incendie, de blessures (vous-même ou d'autres personnes) ou d'exposition à une énergie micro-ondes excessive lors de l'utilisation de votre appareil, respectez les mesures de sécurité de base, notamment les suivantes :

N'essayez pas de faire fonctionner ce four lorsque la porte est ouverte ; cela pourrait entraîner une exposition nocive à l'énergie des micro-ondes Ne contournez pas et ne manipulez pas les protections de sécurité internes

Ne placez aucun objet entre la face avant du four et la porte et ne laissez pas la saleté ou d'autres débris s'accumuler sur les surfaces d'étanchéité.

Ne pas utiliser le four s'il est endommagé Il est important que la porte du four se ferme correctement et que le four ne soit pas endommagé :

- PORTE (pliée)
- HINGES ET VERROUILLES (cassées ou desserrées)
- JOINTS DE PORTE ET SURFACE D'ÉTANCHÉITÉ

Le four ne doit être réglé ou réparé que par un personnel qualifié.

À USAGE DOMESTIQUE UNIQUEMENT
CONSERVER CES INSTRUCTIONS
PRÉCAUTIONS ET AVERTISSEMENTS

PRÉCAUTIONS ET AVERTISSEMENTS

Lisez attentivement l'ensemble de ces spécifications et avertissements AVANT d'utiliser votre four à micro-ondes. Le non-respect de cette consigne peut entraîner des dommages, des blessures ou des lésions corporelles, y compris une invalidité permanente et/ou la mort.

1. Comme pour la plupart des appareils de cuisson, surveillez attentivement son utilisation afin de réduire le risque d'incendie dans le four.
2. Pour réduire le risque d'incendie pendant la cuisson, veillez à prendre les précautions supplémentaires suivantes :
3. Ne pas trop cuire les aliments. Surveillez attentivement l'appareil lorsque du papier, du plastique ou d'autres matériaux combustibles sont placés à l'intérieur du four pour faciliter la cuisson.
4. Retirez les attaches métalliques et les poignées en métal des récipients ou des sacs en papier ou en plastique avant de les placer dans le four.
5. Si les matériaux à l'intérieur du four s'enflamment, gardez la porte du four fermée. Éteignez le four et débranchez l'appareil. Débranchez le cordon d'alimentation, coupez le courant au niveau du panneau des fusibles ou des disjoncteurs.
6. Ne pas utiliser la cavité du four pour le stockage Ne pas laisser de produits en papier, d'ustensiles de cuisine ou d'aliments dans le four lorsqu'il n'est pas utilisé.
7. Ce four doit être mis à la terre à l'aide d'une prise de courant correctement mise à la terre. Voir la section "MISE À LA TERRE ÉLECTRIQUE".
8. Installez ou positionnez ce four en respectant scrupuleusement les instructions d'installation fournies.
9. Certains produits, comme les œufs entiers, et les récipients hermétiques, comme les bocaux en verre, peuvent exploser et ne doivent pas être chauffés au four.
10. N'utilisez pas de produits chimiques corrosifs ou de fumées à l'intérieur ou à proximité de l'appareil. Ce four est spécifiquement conçu pour chauffer, cuire ou sécher des aliments dans un environnement domestique. Il n'est pas conçu pour une utilisation industrielle ou en laboratoire.
11. Comme pour tout appareil, une surveillance étroite est nécessaire lorsqu'il est utilisé par des enfants.
12. N'utilisez pas le four si le cordon ou la fiche est endommagé, s'il ne fonctionne pas correctement ou s'il est tombé ou a été endommagé.
13. Cet appareil ne doit être réparé que par un personnel qualifié. Contactez votre technicien pour obtenir des informations sur le centre de service agréé le plus proche pour l'examen, la réparation ou le réglage.
14. Ne pas couvrir ou bloquer les ouvertures du four.
15. Ne rangez pas et n'utilisez pas cet appareil à l'extérieur. N'utilisez pas ce four à proximité de l'eau, par exemple, près d'un évier de cuisine, dans un sous-sol

humide, près d'une piscine ou dans des endroits similaires.

16. Ne pas immerger le cordon ou la fiche dans l'eau.
17. Tenir le câble à l'écart des surfaces chaudes.
18. Ne laissez pas le câble pendre sur le bord d'une table ou d'un comptoir.
19. Pour nettoyer la porte et les surfaces du four, n'utilisez que des savons ou des détergents doux et non abrasifs appliqués avec une éponge ou un chiffon humide.
20. Les liquides, tels que l'eau, le café ou le thé, peuvent être surchauffés au-delà du point d'ébullition sans avoir l'air de bouillir. Un bouillonnement ou une ébullition visible ne se produit pas toujours lorsque le récipient est retiré du four à micro-ondes. Les liquides en ébullition peuvent donc déborder soudainement lorsque le récipient est secoué ou qu'une cuillère ou un autre ustensile est inséré dans le liquide.
21. Ne pas surchauffer le liquide. Retirer le liquide avant de le chauffer et à mi-chemin. N'utilisez pas de récipients à parois droites et à col étroit. Après le chauffage, laissez le récipient reposer dans le four à micro-ondes pendant une courte période avant de le retirer. Faites très attention lorsque vous insérez une cuillère ou un autre ustensile dans le récipient.

IMPORTANT : MISE À LA TERRE ÉLECTRIQUE

DANGER : RISQUE DE CHOC ÉLECTRIQUE

- Le fait de toucher les composants internes de ce four peut entraîner des blessures graves, voire mortelles.
- Ne pas démonter l'appareil.

AVERTISSEMENT : RISQUE DE CHOC ELECTRIQUE

- L'utilisation incorrecte de la fiche de mise à la terre peut entraîner un choc électrique. Ne branchez pas le four sur une prise de courant si celle-ci n'est pas correctement installée et mise à la terre.

FICHE À TROIS BROCHES (MISE À LA TERRE)

Cet appareil doit être mis à la terre. En cas de court-circuit électrique, la mise à la terre réduit le risque de choc électrique en fournissant un fil d'évacuation pour le courant électrique. Cet appareil est équipé d'un fil de mise à la terre avec la troisième fiche ronde de mise à la terre. La fiche doit être branchée dans une prise de courant correctement installée et mise à la terre. Consultez un électricien ou un technicien qualifié si vous n'avez pas bien compris les instructions relatives à la mise à la terre ou si vous avez des doutes quant à la mise à la terre de l'appareil. Si vous devez utiliser une rallonge, utilisez uniquement une rallonge à 3 fils avec une fiche de mise à la terre à 3 broches et une prise à 3 fentes qui accepte la fiche de l'appareil. Le calibre de la rallonge doit être égal ou supérieur au calibre de l'appareil.

1. Un cordon d'alimentation court est prévu pour réduire le risque d'enchevêtrement ou de trébuchement sur un cordon plus long.

2. Des jeux de câbles plus longs ou des câbles de rallonge sont disponibles et peuvent être utilisés avec beaucoup de précautions.
3. En cas d'utilisation d'un long câble ou d'une rallonge :
 - La puissance électrique indiquée du cordon ou de la rallonge doit être au moins égale à la puissance électrique de l'appareil.
 - Le câble d'extension doit être un câble à 3 fils avec connexion à la terre.
 - Le cordon le plus long doit être placé de manière à ce qu'il ne tombe pas sur le plan de travail ou la table, où les enfants pourraient tirer dessus ou trébucher accidentellement.

INTERFÉRENCES RADIO

L'utilisation du four à micro-ondes peut provoquer des interférences avec votre radio, télévision ou équipement similaire. Si des interférences sont présentes, elles peuvent être réduites ou éliminées en prenant les mesures suivantes :

- Nettoyer la porte et la surface d'étanchéité du four
- Réorientation de l'antenne de réception de la radio ou de la télévision
- Déplacer le four à micro-ondes par rapport au récepteur.
- Eloigner le four à micro-ondes du récepteur
- Branchez le four à micro-ondes sur une autre prise de manière à ce que le four à micro-ondes et le récepteur se trouvent sur des circuits différents.

INSTALLATION DU FOUR A MICRO-ONDES

Avant l'installation et l'utilisation :

- Retirer tous les matériaux d'emballage et les accessoires
- Examinez le four pour détecter d'éventuels dommages, tels que des bosses ou une porte cassée. Si l'appareil est endommagé, ne l'installez pas. Contactez le centre de service ou le lieu d'achat.
- Enlever tout film protecteur sur la surface du four à micro-ondes. Avertissement : Ne pas enlever le couvercle en mica marron clair qui est fixé à la cavité du four pour protéger le magnétron.

DIRECTIVES D'INSTALLATION

1. Choisissez une surface plane et stable offrant un espace suffisant pour les ouvertures d'entrée et/ou de sortie. L'obstruction des ouvertures d'entrée et/ou de sortie peut endommager le four. Ne placez pas le four dans un endroit où il y a de la chaleur, de l'humidité ou un taux d'humidité élevé.
 - Un espace minimum de 75 cm est nécessaire entre le four et les murs adjacents. Un côté doit être ouvert pour assurer une bonne ventilation et une bonne dispersion de la chaleur.

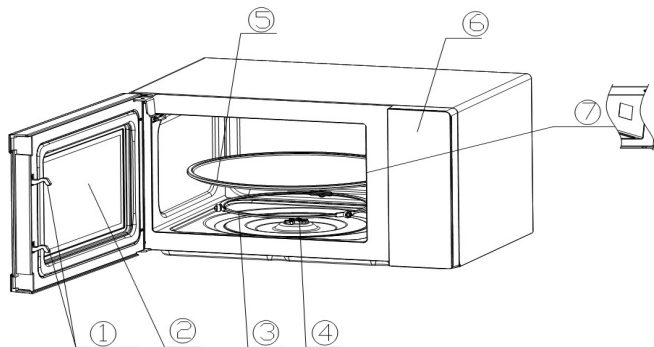
- Laissez un espace minimum de 30 cm au-dessus du four.
 - Placez le four le plus loin possible des radios et des télévisions.
2. Branchez le four sur une prise domestique standard. Assurez-vous que la tension et la fréquence correspondent à celles indiquées sur l'étiquette.
 - Assurez-vous que le cordon d'alimentation n'est pas endommagé et qu'il ne passe pas sous le four à micro-ondes ou sur des surfaces chaudes ou tranchantes.
 - La prise doit être facilement accessible afin de pouvoir être débranchée en cas d'urgence.

INSTALLATION DU PLATEAU TOURNANT

- Votre micro-ondes doit être livré avec l'arbre rotatif déjà installé. Le plateau en verre doit être parfaitement centré sur les roues de l'arbre pour fonctionner correctement.
- Ne faites pas fonctionner le four si le plateau en verre et la broche ne sont pas correctement positionnés.

CONNAÎTRE SON FOUR À MICRO-ONDES

1. **Fermeture de la porte** : Assurez-vous que la porte du four à micro-ondes est



correctement fermée pour un bon fonctionnement.

2. **Fenêtre d'affichage** : Cette fenêtre permet aux utilisateurs de contrôler l'état de la cuisson.
3. **Anneau rotatif** : le plateau tournant en verre repose sur des roues qui le soutiennent et l'équilibrent pendant la rotation.
4. **Axe de rotation** : le plateau tournant en verre est placé sur cet axe, qui est entraîné par le moteur situé en dessous, ce qui permet la rotation.
5. **Plateau tournant** : placez d'abord l'anneau rotatif, puis placez le plateau tournant sur l'arbre rotatif, en veillant à ce qu'il soit correctement aligné. La rotation du plateau tournant permet de cuire les aliments de manière homogène.

6. **Panneau de contrôle** : voir les instructions détaillées ci-dessous. Veuillez noter que le panneau de contrôle peut être modifié sans préavis.
7. **Couvercle du guide d'ondes** : Ce couvercle est situé à l'intérieur du four à micro-ondes, à côté de la paroi du panneau de commande. **N'essayez jamais de retirer le couvercle du guide d'ondes.**

Instructions détaillées concernant le panneau de commande : Veuillez vous référer au manuel joint pour les détails et les fonctions spécifiques du panneau de commande, car les caractéristiques du panneau de commande peuvent être modifiées sans préavis.

FONCTIONNEMENT DU PANNEAU DE CONTRÔLE

1. AVANT LA CUISSON

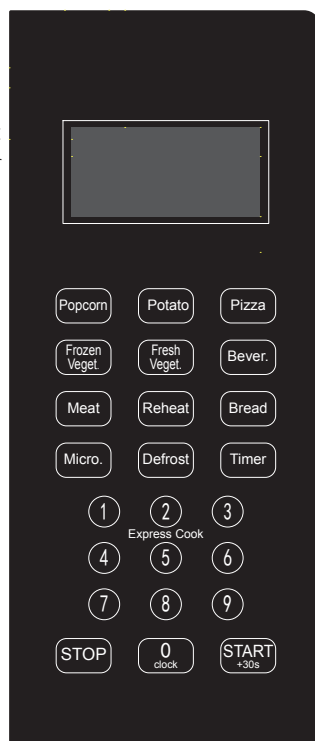
- Lorsque le bloc d'alimentation est branché, l'écran s'allume puis entre en mode veille, affichant "1:00."

2. FONCTION MICRO-ONDES

- Ce four à micro-ondes offre dix niveaux de puissance : 100P, 90P, 80P, 70P, 60P, 50P, 40P, 30P, 20P et 10P. Pour sélectionner la puissance de micro-ondes souhaitée : POTATOBAKED
- Appuyez sur la touche "Power" et maintenez-la enfoncée jusqu'à ce que le niveau de puissance souhaité s'affiche.
- Entrez le temps de cuisson à l'aide des touches numériques 0-9 ; le temps maximum est de 99:99.
- Après avoir saisi le temps de cuisson, appuyez sur la touche "START/+30s" pour démarrer. Un signal sonore retentit lorsque l'opération est terminée.

Notes supplémentaires :

- Le temps de cuisson maximum autorisé est de 99 minutes et 99 secondes.
- Ne jamais utiliser la grille pendant la cuisson au micro-ondes.
- Ne pas utiliser le four vide.s
- À la puissance maximale des micro-ondes, le four réduit automatiquement la puissance après un certain temps de cuisson afin de prolonger la durée de vie de l'appareil.
- Si vous retournez les aliments pendant la cuisson, appuyez une fois sur la touche "Start/+30s" et la procédure de cuisson pré-réglée se poursuivra.



Remarque : l'aspect réel du produit peut varier légèrement.

- Pour arrêter la cuisson avant la durée prédéfinie, appuyez une fois sur la touche Stop afin d'effacer la procédure prédéfinie et d'éviter toute opération involontaire lors de la prochaine utilisation.

ALTO	100% et 90% de la puissance	(applicable pour une cuisson rapide et complète)
Moyenne Élevée	80% et 70% de la puissance	(applicable à la cuisson express moyenne)
Moyen	60% et 50% de la puissance	(Applicable aux aliments cuits à la vapeur)
Moyenne Faible	40 % et 30 % de la puissance	(applicable à la décongélation des aliments)
BAJA	20 % et 10 % de la puissance	(Applicable pour garder la chaleur)

3. DÉGIVRAGE

- Il existe deux modes de dégivrage, DEF1 et DEF2, pour le dégivrage par poids et par temps, respectivement.
- Appuyez sur la touche "Defrost" pour choisir entre la décongélation par poids ou par temps, et l'écran affichera "DEF1" ou "DEF2".
- Entrez le poids de l'aliment ou le temps de décongélation à l'aide des touches numériques 0-9. La plage de poids pour DEF1 est de 4 à 50 oz, et DEF2 permet d'entrer une durée maximale de 99:99 . - Après avoir saisi les données, appuyez sur la touche "START/+30s" pour démarrer. Un signal sonore retentit lorsque l'opération est terminée. DEF1 par poids vous invite à retourner les aliments pendant la décongélation.

DEF1	Pour la décongélation, le poids varie de 4 à 50 oz .
DEF2	Pour la décongélation, le temps maximum est de 99:99 .

Conseils de décongélation :

- Tournez les aliments pendant l'opération pour une décongélation uniforme.
- La décongélation est généralement plus longue que la cuisson.
- Si vous pouvez couper l'aliment avec un couteau, considérez que le processus de décongélation est terminé.
- La pénétration des micro-ondes est d'environ 4 cm dans la plupart des aliments.
- Consommez rapidement les aliments décongelés ; il n'est pas conseillé de les recongeler.

4. CUISSON AUTO

- Ce micro-ondes propose huit menus automatiques : pop-corn, pommes de terre, pizza, légumes surgelés, légumes frais, boissons, viande et pain. Pour utiliser ces menus :

- Sélectionnez la touche de menu automatique souhaitée.
- Appuyez en continu sur la touche de menu correspondante pour sélectionner le poids d'alimentation souhaité, qui s'affichera.
- Après avoir sélectionné le poids de cuisson, appuyez sur la touche "START/+30s" pour démarrer. Un signal sonore retentit lorsque l'opération est terminée.

Afficher	Type	Méthode
A.1	Maïs soufflé	Le poids de l'option est de 3,5 oz.
A.2	Pommes de terre	Les poids optionnels sont 9oz, 18oz et 27oz.
A.3	Pizza	Les poids optionnels sont 7oz et 14oz .
A.4	Légumes surgelés	Les poids optionnels sont 7oz, 14oz et 21oz.
A.5	Légumes frais	Les poids optionnels sont 7oz, 14oz et 21oz.
A.6	Boire	Il est possible de choisir entre 1 tasse, 2 tasses ou 3 tasses, chacune d'entre elles représentant environ 9 oz.
A.7	Viande	Les poids optionnels sont 7oz, 14oz et 21oz.
A.8	Pain	Les poids optionnels sont 3,5 oz, 7 oz, 10,5 oz, 14 oz et 17,5 oz.

Conseils supplémentaires :

- Veillez à ce que la température des aliments avant la cuisson soit comprise entre 20 et 25 °C. Ajustez le temps de cuisson pour des températures de départ plus élevées ou plus basses.
- La température, le poids et la forme des aliments peuvent affecter de manière significative les résultats de la cuisson. Ajustez le temps de cuisson pour obtenir des résultats optimaux si ces facteurs s'écartent des réglages du menu.

5. MINUTERIE

- En mode veille, appuyez sur cette touche pour accéder à l'interface de réglage de la minuterie. L'icône de la fonction de compte à rebours et "0:00" apparaissent sur l'écran.
- Entrez la durée souhaitée à l'aide des touches numériques 0-9 ; la durée maximale est de 99:99. Après avoir réglé l'heure, appuyez sur la touche "START/+30s" pour lancer le compte à rebours. Un signal sonore retentit lorsque le compte à rebours est terminé.

6. RÉCHAUFFAGE

- La fonction de réchauffage permet aux utilisateurs de réchauffer les aliments en fonction de leur poids. Appuyez continuellement sur la touche "Réchauffer" pour choisir le poids approprié des aliments (7 oz, 14 oz, 21 oz, 28 oz ou 35 oz).
- Après avoir sélectionné le poids, appuyez sur la touche "START/+30s" pour démarrer. Un signal sonore retentit lorsque l'opération est terminée.

7. CUISSON EXPRESS

- **7.1** En mode veille, appuyez sur les numéros 1~6 pour démarrer le four à micro-ondes ; chaque numéro correspond à une durée de cuisson de 1 à 6 minutes.
- Après avoir sélectionné l'heure, appuyez sur la touche "START/+30s" pour démarrer. Un signal sonore retentit lorsque l'opération est terminée.
- **7.2** En mode veille, après avoir placé les aliments dans le four et fermé la porte, appuyez sur la touche "START/+30s" pour démarrer rapidement le micro-ondes avec un temps de fonctionnement pré-réglé de 30 secondes.
- Pendant la cuisson, appuyez une fois sur la touche "START/+30s" pour ajouter 30 secondes au temps de cuisson. Veuillez noter que cette option n'est pas disponible en mode menu ou en mode décongélation par poids.
- En mode pause, une pression sur la touche "START/+30s" permet de reprendre le mode de cuisson précédent.

8. 0/Clock

- Le bouton "0/Clock" combine la fonction d'horloge et le bouton "0". L'horloge fonctionne selon un système de 12 heures. La procédure de réglage de l'horloge est expliquée ci-dessous :
- En mode veille, appuyez sur la touche "0/Clock" pendant plus de 3 secondes pour accéder à l'interface de réglage de l'horloge.
- Utilisez les touches numériques 0~9 pour entrer directement l'heure, puis appuyez sur la touche "START/+30s" pour confirmer l'heure et quitter le mode de réglage de l'horloge.

9. STOP

- Pendant le processus de configuration de la cuisson, appuyez sur la touche "STOP" pour annuler les réglages et revenir en mode veille.
- Pendant que le four à micro-ondes fonctionne, appuyez sur la touche "STOP" pour faire une pause.
- En mode veille, une nouvelle pression sur la touche "STOP" annule toute fonction et ramène l'appareil en mode veille.

10. START/+30s

- Après avoir réglé le temps de cuisson ou le poids des aliments, appuyez sur la touche "START/+30s" pour démarrer immédiatement le micro-ondes.
- Lorsque le four à micro-ondes fonctionne, appuyez sur cette touche pour augmenter le temps de 30 secondes à chaque pression (sauf en mode menu ou décongélation par poids).
- En mode pause, une pression sur cette touche permet de reprendre le fonctionnement du four à micro-ondes là où il s'était arrêté avant la pause.

11. FONCTION DE VERROUILLAGE DES ENFANTS

- Cette fonction permet de verrouiller le panneau de commande pour le nettoyer ou pour empêcher les enfants de l'utiliser sans surveillance.

- Pour l'activer, appuyez sur la touche "STOP" pendant 3 secondes en mode veille. L'écran affiche "LOC".
- Pour le désactiver, appuyez à nouveau sur le bouton "STOP" pendant 3 secondes et "LOC" disparaîtra de l'écran.

GUIDE DES USTENSILES ET DES MATÉRIAUX

Les micro-ondes sont attirées et absorbées par les molécules de graisse, de sucre et d'eau contenues dans les aliments, ce qui les fait bouger, entraînant une friction et une chaleur qui cuit les aliments.

1. Il est difficile de contrôler la température de l'huile dans le four à micro-ondes.
2. Percer les aliments à peau épaisse, tels que les pommes de terre, le potiron entier, les pommes et les châtaignes, avant de les faire cuire.
3. Le contenu des biberons et des pots doit être remué ou agité et la température doit être vérifiée avant d'être servie afin d'éviter de graves brûlures.

Lors de la cuisson au micro-ondes, la quantité, la taille et la forme, la température initiale, la composition et la densité des aliments influencent les résultats de la cuisson. Les ustensiles de cuisine et les plats doivent pouvoir être placés sur le plateau tournant. Utilisez toujours des gants de cuisine ou des maniques lorsque vous les manipulez, car toute assiette peut devenir brûlante en raison de la chaleur transférée par les aliments. N'utilisez pas d'ustensiles de cuisine ou de vaisselle décorés en or ou en argent.

L'ESSAI D'USTENSILES DE CUISINE ET DE TABLE DESTINÉS À ÊTRE UTILISÉS DANS LES MICRO-ONDES

Certains ustensiles, ustensiles de cuisine et ustensiles de table non métalliques ne peuvent pas être utilisés sans danger dans les fours à micro-ondes. En cas de doute, vous pouvez tester l'ustensile en question en suivant la procédure ci-dessous :

1. Placez les ustensiles de cuisine, les ustensiles ou les plats dans le four à micro-ondes avec 1 tasse (250 ml) d'eau à côté.
2. Cuire à 100 % pendant 1 minute Note : Lors des tests, ne pas dépasser le temps de cuisson de 1 minute.
3. N'utilisez pas d'ustensiles de cuisine ou de vaisselle s'ils sont chauffés et que l'eau reste froide.

MATÉRIAUX RECOMMANDÉS

- Plat à brunir pour micro-ondes - Sert à brunir l'extérieur de petites pièces telles que des steaks, des escalopes ou des crêpes. Suivez les instructions sur votre plat à brunir
- Film plastique pour micro-ondes - Utilisé pour retenir la vapeur. Laissez une petite ouverture pour permettre à la vapeur de s'échapper et évitez de le placer

directement sur les aliments.

- Serviettes en papier et serviettes de table - À utiliser pour chauffer et couvrir à court terme ; elles absorbent l'excès d'humidité et empêchent les éclaboussures. Ne pas utiliser d'essuie-tout recyclés, qui peuvent contenir du métal et risquent de s'enflammer.
- Bols et assiettes en verre et en vitrocéramique - Pour le chauffage ou la cuisson
- Assiettes et gobelets en papier - A utiliser pour un chauffage de courte durée à basse température. Ne pas utiliser de papier recyclé, qui peut contenir du métal et risque de s'enflammer.
- Papier ciré - A utiliser comme couverture pour éviter les éclaboussures.

USAGE LIMITÉ

Des feuilles d'aluminium et certains métaux peuvent être utilisés dans le four à micro-ondes. **S'ils ne sont pas utilisés correctement, un arc électrique (un éclair bleu) peut se produire et endommager le four à micro-ondes.**

- Papier d'aluminium - Utilisez des bandes étroites de papier d'aluminium pour éviter que les parties exposées ne cuisent trop. L'utilisation d'une trop grande quantité de papier aluminium peut endommager le four, soyez donc prudent. Vous devez maintenir une distance d'un pouce (254 cm) entre la feuille et la cavité.
- Céramique, porcelaine et grès : utilisez-les s'ils sont étiquetés comme étant "adaptés au micro-ondes". Si ce n'est pas le cas, testez-les pour vous assurer qu'ils peuvent être utilisés en toute sécurité.
- Plastique - N'utilisez que les produits étiquetés "Microwave Safe". Les autres plastiques peuvent fondre.
- Thermomètres - N'utilisez que les thermomètres étiquetés "Microwave Safe" et suivez toutes les instructions. Vérifiez les aliments à plusieurs endroits. Les thermomètres conventionnels peuvent être utilisés sur les aliments micro-ondables une fois qu'ils ont été retirés du four.

NON RECOMMANDÉ

- Bouteilles et bocaux en verre - Le verre normal est trop fin pour être utilisé dans le four à micro-ondes. Il risque de se briser et de provoquer des dégâts et des blessures.
- Sacs en papier - présentent un risque d'incendie, à l'exception des sacs à pop-corn conçus pour être utilisés au micro-ondes.
- Assiettes et gobelets en polystyrène : ils peuvent fondre et laisser des résidus nocifs pour la santé sur les aliments.
- Récipients de conservation des aliments en plastique - Les récipients tels que les pots de margarine peuvent fondre au micro-ondes.
- Ustensiles métalliques - Ils peuvent endommager le four. Retirez tout le métal avant la cuisson

- Les ustensiles de cuisine et de pâtisserie en métal, en or, en argent ou en étain, les thermomètres à viande non homologués, les brochettes, les brides, les emballages en papier d'aluminium tels que les emballages de sandwichs, les agrafes et les objets décorés en or, en argent ou en émail métallique ne doivent pas être utilisés dans le four à micro-ondes.

TECHNIQUES CULINAIRES

Le micro-ondes permet de cuisiner plus facilement que la cuisine traditionnelle, à condition de garder à l'esprit les points suivants :

RÉVOLUTIONS

Remuez les aliments tels que les ragoûts et les légumes pendant la cuisson pour répartir la chaleur de manière homogène. Les aliments situés à l'extérieur du plat absorbent plus d'énergie et chauffent plus rapidement ; retirez donc les aliments de l'extérieur vers le centre. Le four s'éteint lorsque vous ouvrez la porte pour retirer les aliments.

ARRANGEMENT

Placez les aliments de forme irrégulière, tels que les morceaux de poulet ou les escalopes, avec les parties les plus épaisses et les plus charnues vers l'extérieur du plateau tournant, où elles reçoivent plus d'énergie des micro-ondes. Pour éviter une cuisson excessive, placez les parties délicates, comme les pointes d'asperges, vers le centre du plateau tournant.

PROTEGER

Protégez les aliments avec des bandes étroites de papier d'aluminium pour éviter la surcuisson. Les zones à protéger sont les extrémités des ailes de volaille, les extrémités des cuisses de volaille et les coins des plats de cuisson carrés. N'utilisez que de petites quantités de papier d'aluminium, car les plus grandes risquent d'endommager le four.

TOURNER

Retournez les aliments à mi-cuisson pour exposer toutes les parties à l'énergie des micro-ondes. Ceci est particulièrement important pour les aliments volumineux tels que les rôtis.

REST

Les aliments cuits au micro-ondes accumulent de la chaleur interne et continuent de cuire pendant quelques minutes après l'arrêt du chauffage. Laissez les aliments reposer pour terminer la cuisson, en particulier les aliments tels que les gâteaux et les légumes entiers. Les rôtis ont besoin de ce temps pour terminer la cuisson au centre sans surcuire les zones extérieures. Tous les liquides, tels que la soupe ou le chocolat chaud, doivent être remués ou brassés lorsque la cuisson est terminée. Laissez les liquides reposer un moment avant de les servir. Lorsque vous faites chauffer des aliments pour bébés, remuez-les bien lorsque vous les retirez et vérifiez la température

avant de les servir.

AJOUTER DE L'HUMIDITÉ

L'énergie des micro-ondes est attirée par les molécules d'eau. Les aliments dont la teneur en eau est inégale doivent être couverts ou laissés au repos afin que la chaleur soit répartie uniformément. Ajoutez une petite quantité d'eau aux aliments secs pour faciliter la cuisson.

NETTOYAGE ET ENTRETIEN

- Éteignez le four et débranchez-le avant de le nettoyer.
- Maintenez l'intérieur du four propre. Lorsque des éclaboussures d'aliments ou des liquides renversés collent aux parois du four, essuyez-les avec un chiffon humide. Un détergent doux peut être utilisé si le four est très sale. Évitez d'utiliser des aérosols et d'autres nettoyeurs puissants, car ils risquent de tacher, de laisser des traces ou de ternir la surface de la porte.
- Les surfaces extérieures doivent être nettoyées avec un chiffon humide. Pour éviter d'endommager les pièces en fonctionnement à l'intérieur du four, l'eau ne doit pas pénétrer dans les ouvertures de ventilation.
- Essuyez les deux côtés de la fenêtre avec un chiffon humide pour éliminer toute trace de liquide ou d'éclaboussure.
- Ne laissez pas le panneau de commande se mouiller ; essuyez-le à l'aide d'un chiffon doux et humide. Lorsque vous nettoyez le panneau de commande, laissez la porte du four ouverte afin d'éviter que le four ne soit mis en marche accidentellement.
- Si de la vapeur s'accumule à l'intérieur ou à l'extérieur de la porte du four, essuyez-la avec un chiffon doux. Ce phénomène peut se produire lorsque le four à micro-ondes est utilisé dans des conditions d'humidité élevée.
- De temps en temps, il est nécessaire de retirer le plateau en verre pour le nettoyer. Lavez le plateau à l'eau chaude savonneuse ou au lave-vaisselle.
- Le plateau tournant et la sole du four doivent être nettoyés régulièrement pour éviter tout bruit excessif. Il suffit d'essuyer la surface inférieure du four avec un détergent doux. Le plateau tournant peut être lavé dans de l'eau savonneuse douce ou au lave-vaisselle. Lorsque vous retirez le plateau tournant du fond de la cavité pour le nettoyer, veillez à le replacer dans la bonne position.
- Pour éliminer les odeurs de votre four, mélangez une tasse d'eau avec le jus et le zeste d'un citron dans un bol profond allant au micro-ondes et passez le tout au micro-ondes pendant 5 minutes. Essuyez-le bien et séchez-le avec un chiffon doux.
- Si l'éclairage du four doit être remplacé, consultez un revendeur pour le faire.
- Le four doit être nettoyé régulièrement et les dépôts de nourriture doivent être enlevés. Si la surface n'est pas maintenue propre, elle peut se détériorer, ce qui peut nuire à la durée de vie de l'appareil et entraîner des situations dangereuses.


- Cet appareil ne doit pas être jeté dans un conteneur d'ordures ménagères ; il doit être éliminé dans le centre d'élimination spécifique prévu par les municipalités.

CONSEILS DE DÉPANNAGE

Problème	Cause possible	Remède possible
Arcs ou étincelles	<ul style="list-style-type: none"> • Les matériaux à éviter dans le four à micro-ondes ont été utilisés • Le four fonctionne lorsqu'il est vide • Les aliments renversés restent dans la cavité. 	<ul style="list-style-type: none"> • N'utilisez que des ustensiles de cuisine adaptés aux micro-ondes. • Ne pas utiliser avec un four vide • Essuyer la cavité avec une serviette humide.
Aliments mal cuits	<ul style="list-style-type: none"> • Les matériaux à éviter dans le four à micro-ondes ont été utilisés • Les aliments ne sont pas complètement décongelés • Le temps de cuisson et le niveau de puissance ne sont pas adéquats. • Les aliments ne sont pas retournés ni remués. 	<ul style="list-style-type: none"> • N'utilisez que des ustensiles de cuisine adaptés aux micro-ondes. • Décongélation complète des aliments • Utiliser le bon temps de cuisson et/ou le bon niveau de puissance. • Tourner ou remuer des aliments
Aliments trop cuits	<ul style="list-style-type: none"> • Le temps de cuisson et le niveau de puissance ne sont pas adéquats. 	<ul style="list-style-type: none"> • Utiliser le bon temps de cuisson et/ou le bon niveau de puissance.
Aliments insuffisamment cuits	<ul style="list-style-type: none"> • Les matériaux à éviter dans le four à micro-ondes ont été utilisés • Les aliments ne sont pas complètement décongelés • Les ouvertures de ventilation du four sont réduites. • Le temps de cuisson et le niveau de puissance ne sont pas adéquats. 	<ul style="list-style-type: none"> • N'utilisez que des ustensiles de cuisine adaptés aux micro-ondes. • Décongélation complète des aliments • Vérifiez que les ouvertures de ventilation du four ne sont pas obstruées. • Utiliser le bon temps de cuisson et/ou le bon niveau de puissance.
Dégivrage incorrect	<ul style="list-style-type: none"> • Les matériaux à éviter dans le four à micro-ondes ont été utilisés • Le temps de cuisson et le niveau de puissance ne sont pas adéquats. • Les aliments ne sont pas retournés ni remués. 	<ul style="list-style-type: none"> • N'utilisez que des ustensiles de cuisine adaptés aux micro-ondes. • Utiliser le bon temps de cuisson et/ou le bon niveau de puissance. • Tourner ou remuer des aliments

SPÉCIFICATIONS TECHNIQUES

Consommation d'énergie :	120 V ~ 60 Hz
Sortir :	900W
Poids net : Environ	29,98 livres.
Dimensions extérieures (LxPxH) :	18,90 x 11,51 x 13,86 pouces.
Dimensions de la cavité du four (LxPxH) :	12,4x13,05x9,27 pouces.
Dimensions de l'emballage (WxDxH) :	21,34x16,22x13,11 pouces.
Uniformité de la cuisson :	Système de platine
Diamètre du plateau tournant :	11,22 pouces

	ELIMINACIÓN CORRECTA DE ESTE PRODUCTO
	<p>Este símbolo en el producto o en su embalaje indica que este producto no puede ser un residuo doméstico, sino que debe llevarse al punto de recogida de residuos adecuado para el reciclado de aparatos eléctricos y electrónicos. Si se asegura de que este producto se desecha correctamente, ayudará a evitar posibles consecuencias negativas para el medio ambiente y la salud humana, que de otro modo podrían ser causadas por la manipulación inadecuada de los residuos de este producto. Para obtener información más detallada sobre el reciclado de este producto, póngase en contacto con su ayuntamiento, su servicio de eliminación de residuos domésticos, o la tienda donde compró el producto.</p>

SERVICE TECHNIQUE

Visitez notre site Web pour nous contacter, trouver des réponses aux questions fréquemment posées et pour d'autres ressources pouvant inclure une version mise à jour de ce guide de l'utilisateur.

 www.impecca.com

Si vous souhaitez nous contacter par téléphone, assurez-vous d'avoir votre numéro de modèle et votre numéro de série à portée de main et appelez-nous entre 9 h et 18 h HE, au +1 866-954-4440.

Gardez un œil sur les dernières innovations d'Impecca et participez à des concours via nos réseaux sociaux:

 www.facebook.com/Impecca/

 www.instagram.com/impecca/

 @impeccausa

GARANTIE LIMITÉE DE SIX MOIS (US)

GARANTIE LIMITÉE DE SIX MOIS {36590}

Impecca® garantit ce produit contre les défauts de matériaux et de fabrication à l'acheteur original tel que spécifié ci-dessous à condition que le produit soit enregistré en ligne dans les quatorze (14) jours suivants l'achat.

PIÈCES – Si le produit a un défaut de fabrication dans un délai six (6) mois à compter de la date d'achat initiale, Impecca® réparera ou remplacera les pièces du produit sans frais (pour les pièces) pour les consommateurs aux États-Unis et au Canada.

MAIN-D'OEUVRE – Si le produit a un défaut de fabrication dans un délai de trente (30) jours à compter de la date d'achat initiale, Impecca® réparera ou remplacera les pièces du produit sans frais (pour les pièces) pour les consommateurs aux États-Unis et au Canada. Après trente (30) jours, il en sera de la responsabilité du consommateur.

Les frais d'expédition à destination et à partir de notre centre de service de garantie sont à la charge du consommateur.

Pour obtenir le service de garantie par un centre de service autorisé Impecca®, veuillez nous écrire à : service@impecca.com pour obtenir une autorisation de réparation et d'entretien (ARE) ainsi que pour localiser le centre de service de garantie le plus près de vous. Une fois autorisé, vous devez envoyer le produit au centre de service autorisé Impecca® dans ses matériaux d'emballage d'origine ou l'équivalent, pour éviter tout dommage pendant le transport.

De plus, si Impecca® devait déterminer que le produit est en dehors des conditions de la garantie, Impecca® retournera le produit à l'expéditeur aux frais de celui-ci sans être réparé ou remplacé, sauf s'il est autorisé par le consommateur à servir le produit à garantie expiré aux frais du consommateur. Tous les frais de manutention ou de réapprovisionnement pour les retours et/ou les remplacements seront non remboursables.

Impecca® exclut expressément de cette garantie toutes pièces jointes non électriques/mécaniques, accessoires et pièces jetables, y compris, mais non limité à, l'extérieur du boîtier, les câbles de connexion, batteries et adaptateurs secteur. Impecca® se réserve le droit de réparer ou de remplacer les produits défectueux avec des modèles identiques, équivalents ou supérieurs.

Nous nous réservons le droit de réparer ou de remplacer le produit à notre discrétion. Le remplacement peut être soit neuf ou remis à neuf et alors que tous les efforts seront faits pour s'assurer qu'il s'agit du même modèle, si le même modèle n'est pas disponible il sera remplacé par un modèle équivalent ou supérieur.

L'usure « normale » n'est pas couverte par la présente, ou toute autre garantie. De plus, Impecca® se réserve le droit de déterminer l'usure « normale » sur

tous les produits. L'altération ou l'ouverture du boîtier ou de la coquille du produit annulera cette garantie dans son intégralité.

De plus, cette garantie ne s'applique pas si le produit a été endommagé par accident, abus, mauvaise utilisation ou mauvaise application, a été altéré ou modifié sans l'autorisation écrite de Impecca®, a été réparé par un centre de réparation Impecca® non agréé, n'a pas été correctement entretenu ou utilisé conformément au manuel d'utilisation, a été utilisé à des fins commerciales ou autres que personnelles, a été esthétiquement endommagé, n'a pas été importé par Impecca®, n'a pas été fabriqué selon les spécifications du marché des États-Unis, a été endommagé suite à une mauvaise installation ou à une négligence de la part des consommateurs, a été endommagé suite à un mauvais emballage lors de l'expédition au centre de service de garantie, a été endommagé en raison de catastrophes naturelles ou si le numéro de série du produit a été retiré ou rendu illisible.

TOUTE GARANTIE IMPLICITE, Y COMPRIS TOUTE GARANTIE IMPLICITE DE QUALITÉ MARCHANDE ET D'ADAPTATION À UN USAGE PARTICULIER, EST LIMITÉE À SIX (6) MOIS POUR LES PIÈCES ET TRENTE (30) JOURS POUR LA MAIN-D'OEUVRE À PARTIR DE LA DATE D'ACHAT INITIALE DE CE PRODUIT.

CES GARANTIES ET RECOURS SONT LES SEULS ET UNIQUES GARANTIES ET RECOURS CONCERNANT LA VENTE ET L'UTILISATION DU PRODUIT. AUCUNE AUTRE GARANTIE, ORALE OU ÉCRITE, EXPLICITE OU IMPLICITE, N'EST DONNÉE.

IMPECCA® N'EST PAS RESPONSABLE DE TOUT DOMMAGE, QU'IL SOIT PARTICULIER, ACCIDENTEL, INDIRECT, DIRECT OU AUTRE ÉTANT CONNU OU QUI AURAIT DU ÊTRE CONNU D'IMPECCA®, Y COMPRIS LA PERTE DE PROFITS, LA BONNE VOLONTÉ ET LA PROPRIÉTÉ AINSI QUE LES BLESSURES PERSONNELLES RESULTANTES D'UNE RUPTURE DE GARANTIE, DE L'INCAPACITÉ D'UTILISER LE PRODUIT OU SOUS TOUTE AUTRE THÉORIE JURIDIQUE CONTRACTUELLE OU DÉLICTEUELLE. LA RESPONSABILITÉ D'IMPECCA EST LIMITÉE AU PRIX D'ACHAT PAYÉ AU DÉTAILLANT DU PRODUIT DÉFECTUEUX.

Aucun revendeur, agent ou employé Impecca® n'est autorisé à faire quelques modifications, extension, changement ou amendement que ce soit de cette garantie sans le consentement écrit et l'autorisation d'Impecca®.

Certains États ne permettent pas l'exclusion ou la limitation des garanties implicites ou de la responsabilité pour les dommages directs ou indirects, ou ne permettent pas de limitation sur la durée d'une garantie implicite. Les limitations ou exclusions ci-dessus peuvent donc ne pas s'appliquer à vous. Cette garantie vous donne des droits légaux spécifiques et vous pouvez avoir d'autres droits, qui varient d'un État à l'autre.

Note : Notre centre de service de garantie expédie seulement à l'intérieur des États-Unis contigus, excluant l'Alaska et Hawaï.

Important : Assurez-vous d'enregistrer votre produit sur WWW.IMPECCA.COM dans les 14 jours

Impecca® USA • PA 18711 • www.impecca.com • service@impecca.com

**N'envoyez pas de retour à cette adresse, car ils risquent d'être perdus et cela va retarder votre processus de réparation et de service.*

