

Table of Contents

1 Installation	8
1.1 Dimension Requirements	8
1.2 Product dimensions	9
1.3 Unpacking, moving and positioning the range	10
1.4 Wall attachment and anti-tip device	12
1.5 Electrical requirements	16
1.6 Gas supply requirements	19
1.7 For the installer	25

EN

WARNING: If the instructions in this manual is not followed exactly, a fire or explosion may result causing property damage, personal injury or death.

- Do not store or use gasoline or other flammable vapors or liquids in the vicinity of this or any other appliance.
- **WHAT TO DO IF YOU SMELL GAS**
 - Do not try to light any appliance.
 - Do not touch any electrical switch.
 - Do not use any phone in your building.
 - Immediately call your gas supplier from a neighbor's phone. Follow the gas supplier's instructions.
 - If you cannot reach your gas supplier, call the fire department.
- Installation and service must be performed by a qualified installer, service agency or gas supplier.



NOTE: This appliance must be installed solely and exclusively by a qualified technician. Any technical procedures must be carried out by an authorized technician.



Important Safety Instructions

TIP OVER HAZARD

WARNING



- A child or adult can tip the range and be killed.
- Make sure that the anti-tip device has been properly installed and attached. The wall-mounted brackets should anchor the sides of the range (primary system) or, in case of floor-mounted brackets, they should anchor the rear of the range to the ground.
- Make sure that the anti-tip device is re-attached when the range is moved. The wall-mounted brackets should anchor the sides of the range (primary system) or, in case of floor-mounted brackets, they should anchor the rear of the range to the ground.
- Do not operate the range without the anti-tip device in place and attached.
- Failure to do so can result in loss of life or serious burns to children or adults.



READ AND SAVE THESE INSTRUCTIONS - Your safety and the safety of others are very important.

We have provided many important safety messages throughout this manual and on the appliance.

Read all the instructions before using the appliance and always obey all safety messages.



RECOGNIZE SAFETY INFORMATION

This is a safety alert symbol. This symbol alerts you to potential hazards that can result in severe personal injury or loss of life.

UNDERSTAND SIGNAL WORDS

A signal word - DANGER, WARNING or CAUTION - is used with the safety alert symbol. DANGER denotes the most serious hazards. It means you could lose your life or be seriously injured if you do not immediately follow the instructions. WARNING means you could lose your life or be seriously injured if the instructions are not followed. CAUTION indicates a potentially hazardous situation which, if not avoided, could result in minor to moderate injury.

Important Safety Instructions



EN

WARNING



- This appliance is intended for use in the home only.
- Use this appliance only for its intended purpose. The manufacturer cannot be held liable for damage caused by improper use of this range.
- This appliance complies with current safety regulations. Improper use of this range can result in personal injury and material damage.
- Read all the instructions before installing or using the range for the first time.
- Keep these operating instructions in a safe place and pass them on to any future user.

The safety messages will inform you of potential hazards, on how to avoid the risk of injury and what can occur if the instructions are not followed.

IMPORTANT: Installation, gas connections and grounding must conform to applicable codes. Observe all codes and ordinances in force.



NOTE: This range is manufactured for use with natural gas. To convert the appliance to LP/Propane gas, see the instructions in the Gas Conversion Kit provided in the literature package.

The proper gas supply connection must be available. See "Gas supply requirements".

In the State of Massachusetts, the following installation instructions apply:

- Installation and repairs must be performed by a Massachusetts qualified or licensed contractor, plumber, or gas fitter.
- If using a ball valve, it shall be the T-handle type.
- A flexible gas connector, when used, must not exceed 3 feet.

WARNING: For your safety, the instructions contained in this manual must be followed to minimize the risk of fire or explosion and to prevent property damage, personal injury or loss of life.

Do not store or use gasoline or other flammable vapors, liquids or materials near this or any other appliance.



NOTE: This range is NOT designed for installation in manufactured (mobile) homes or in recreational vehicles (RVs).

DO NOT install this range outdoors.



Important Safety Instructions

WARNING



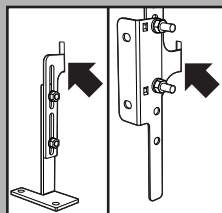
To reduce the risk of fire, electrical shock, personal injury, or damage when using the range, follow basic safety precautions, including the following:

WARNING



PRIMARY FASTENING SYSTEM:

Visually check that the wall-mounted brackets are inserted into the appropriate lateral hooks (on both sides).



SECONDARY FASTENING SYSTEM:

Visually check from the inside of the drawer that the floor-mounted bracket is inserted into the appropriate lateral hooks (left or right).

- Read all instructions
- Proper installation is your responsibility. Have a qualified technician install and ground this appliance in accordance with these installation instructions.
- It is the responsibility of the installer to comply with installation information specified on the model/serial ID plate. The ID Plates are visibly located on the back of the appliance and on the oven door frame. These ID plates must never be removed.
- **ELECTRICAL GROUNDING REQUIRED:** See the "Electrical Requirements" section. It is the customer's responsibility:
 - To contact a qualified electrician to install the appliance
 - To ensure that the electrical system is adequate and conforms with the national ANSI / NFPA 70 ELECTRICAL CODE – latest edition – Or the CANADIAN ELECTRICAL CODE, C22.11 – 1 and C22.2 No. 01982 – or latest edition – and all local codes and ordinances. **IMPORTANT:** Observe all codes and ordinances in force.
- Before you plug the electrical cord into an outlet, make sure that all the appliance controls are in the OFF position.



CAUTION: To eliminate the risk of burns or fire caused by reaching over hot surface burners, do not store items directly above the rangetop.

Important Safety Instructions



- Never modify or alter the construction of the appliance. For example, do not remove adjustable legs, panels, wiring or anti-tip brackets/screws.



CAUTION: This unit is designed as a cooking appliance. For safety purposes, never use it for warming the room or as a space heater.

- Do not obstruct oven vents or openings for heat exhaust.
- Test the appliance immediately after installation, following the instructions in this booklet. If the appliance does not work properly, disconnect it from the electrical power supply and call the service center. **DO NOT** attempt to repair the appliance.
- All adjustments and servicing must be performed by qualified installers or service technicians.
- Do not leave the packing material around the home. Sort the various items of waste and take them to the nearest specialized waste collection facility.

How to read the user manual

This user manual uses the following reading conventions:

Installation



Information for the qualified technician: installation, operation and inspection.



Safety instructions



Information



Advice

1. Use instruction sequence.
 - Single use instruction.

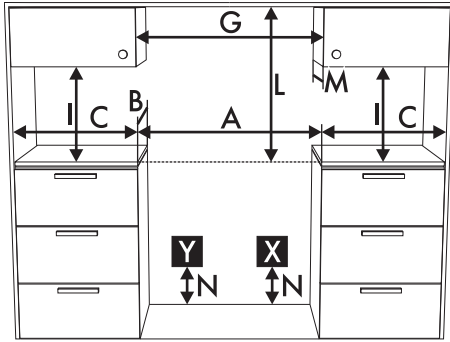
SAVE THESE INSTRUCTIONS



Installation

1 Installation

1.1 Dimension Requirements



A	914 mm	36
B	636 mm	25"
C¹	216 mm	8 1/2"
G²	914 mm	36
I³	457 mm	18"
L⁴	610 mm	24"
M⁵	330 mm	13"
N	178 mm	7"

1. min. clearance from the sides of range to side wall or other combustible material;
2. min. cabinet opening width;
3. upper cabinet to countertop;

4. min. when bottom of wood or metal cabinet is protected by not less than 1/4" (0.64 cm) flame retardant millboard covered with not less than No. 28 MSG sheet steel, 0.015" (0.4 mm) stainless steel, 0.024" (0.6 mm) aluminum or 0.020" (0.5 mm) copper. 35" (889 mm) min. clearance between the top of the cooking surface and the bottom of an unprotected wood or metal cabinet.
5. max. upper cabinet depth.

Y - Grounded outlet

Position within 11 7/8" (300 mm) from the left rear corner of the range.

X - Gas supply line

Position within 11 7/8" (300 mm) from the right rear corner of the range.

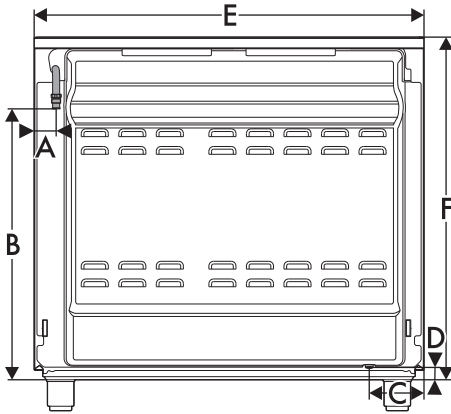


NOTE: Install with zero clearance sides and back.



1.2 Product dimensions

Overall dimensions: Location of gas and electrical connection points.



A	53 mm	2 ² / ₁₆ "
B	660 mm	26
C	131 mm	5 ² / ₁₆ "
D	34 mm	1 ⁵ / ₁₆ "
E	912 mm	35 ¹⁵ / ₁₆ "
F	809 mm	31 ¹⁴ / ₁₆ "

Check the location where the range is to be installed. The range should be positioned for convenient access in the kitchen.



NOTE: Observe all governing codes and ordinances.

Any openings in the wall or floor where the range is to be installed must be sealed.

Some cabinet and building materials are not designed to withstand the heat that the oven produces during baking. Check with your builder or cabinet supplier to make sure that the materials used will not discolor, delaminate or sustain other damage.

The cabinet opening dimensions that are shown must be used. The indicated dimensions are the minimum clearances. When installing a range under existing cabinets that do not satisfy the minimum cabinet clearances, install a rangehood over the cooking surface to avoid burn hazards.



Installation

An air curtain or other overhead range hood, which operates by blowing a downward airflow onto a range, shall not be used in conjunction with the gas range unless the hood and range have been designed, tested in accordance with ANSI Z21.1 and listed by an independent testing laboratory for combination use. This type of ventilation system may cause ignition and combustion problems with the gas cooking appliance resulting in personal injury or unintended operation.

1.3 Unpacking, moving and positioning the range



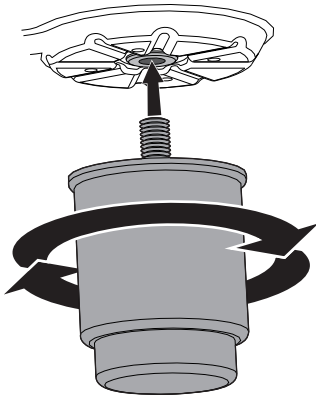
CAUTION: This unit is designed as a cooking appliance. For safety purposes, never use it for warming the room or as a space heater.

- It is recommended that the grates, the griddle plate and burner heads, burner caps, front kick panel and oven racks be removed to facilitate handling. This will reduce the weight for moving.
- When positioning the appliance during installation, do not use the door handle to lift up or move this appliance.
- Remove the outer carton and packing material from the shipping base.
- Remove angle-mounting brackets from the range.
- Due to the weight, a dolly/fork lift with soft rubber tread wheels should be used to move this unit. The weight must be supported uniformly across the bottom.
- The floor under the legs should be protected (wood, strips, carpet, paneling, etc.) before pushing the unit into position.
- The anti-tip device must be installed, and the gas and electrical connections should be made before the range is placed in its final position.
- Ensure that the burner caps are correctly positioned on the burner bases on the rangetop.
- Legs should be installed near to where the appliance will be used as they are not secure for long transit. Keep the unit raised so the legs can be screwed into their couplings, then lower the range gently to prevent the legs and mounting hardware from being subject to any undue strain. Instead of tilting the unit, it is recommended that a pallet or lift jack be used.

Installation



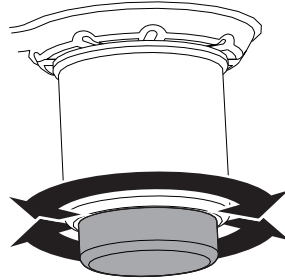
- After making the gas and electrical connections, screw on the four feet supplied with the appliance.



NOTE: Insert the front feet first and then the rear ones.

The appliance must sit level on the floor to ensure stability:

- Screw or unscrew the bottom part of the foot until the appliance is stable and level on the floor. The adjustment range of the screw is 1.37 inches (35 mm).



NOTE: this appliance must only use the specific leveling legs provided by the manufacturer.



Installation

1.4 Wall attachment and anti-tip device



Warning

Electrical shock hazard

- Use extreme caution when drilling holes into the wall or floor. There may be concealed electrical wiring located behind the wall or under the floor.
- Identify the location of the electrical circuits that could be affected by the installation of the anti-tip device, then turn off power to these circuits.
- Failure to follow these instructions may result in electrical shock or other personal injury.



CAUTION

- Contact a qualified installer or contractor to determine the proper method for drilling holes through the wall or floor material (such as ceramic tile, hardwood, etc.)
- Failure to follow these instructions may result in damage to wall or floor coverings.

WARNING



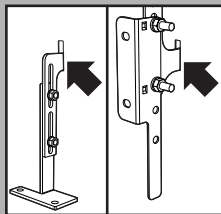
To reduce the risk of fire, electrical shock, personal injury, or damage when using the range, follow basic safety precautions, including the following:

WARNING



PRIMARY FASTENING SYSTEM:

Visually check that the wall-mounted brackets are inserted into the appropriate lateral hooks (on both sides).



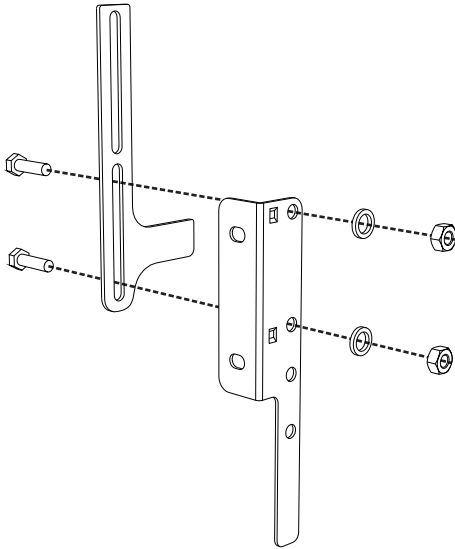
SECONDARY FASTENING SYSTEM:

Visually check from the inside of the drawer that the floor-mounted bracket is inserted into the appropriate lateral hooks (left or right).

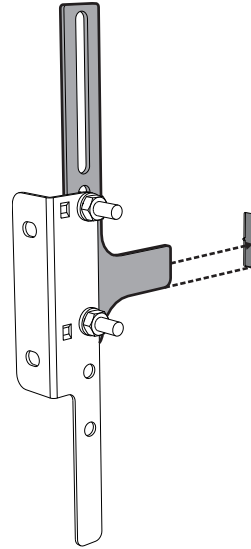


Instructions for wall mounting (primary system)

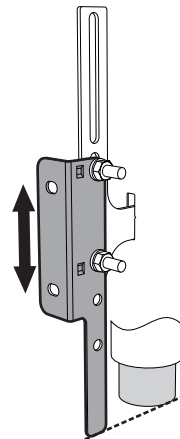
1. Assemble the fastening bracket.



2. Align the base of the hook on the fastening bracket with the base of the slot on the wall fastening plate.



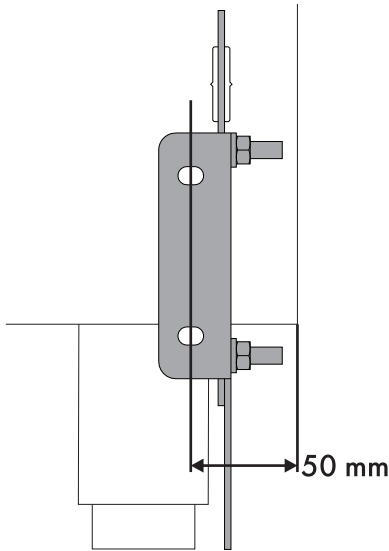
3. Align the base of the fastening bracket with the ground and tighten the screws to fix the measurements.



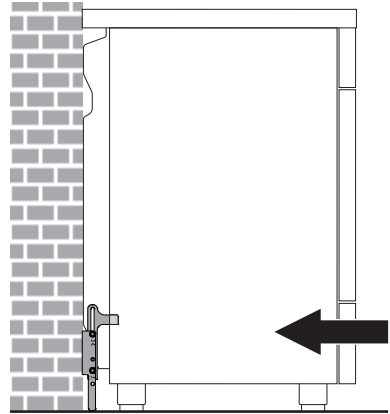


Installation

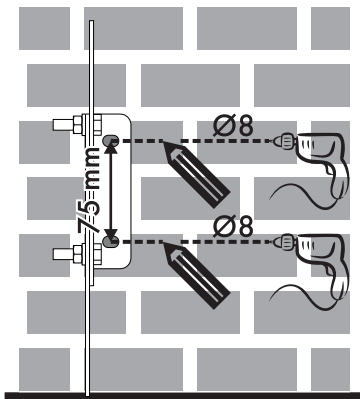
- Use 50 mm for the distance from the side of the appliance to the bracket holes.



- After drilling the holes in the wall, use wall plugs and screws to fasten the bracket to the wall.
- Push the cooker towards the wall, and at the same time, insert the bracket in the plate fastened to the rear of the appliance.



- Move the bracket onto the wall and mark the position of the holes to be drilled in the wall.



Instructions for floor mounting (secondary system)

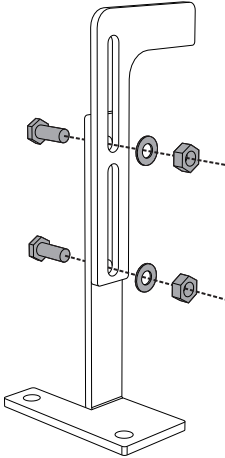
The secondary anti-tip device is to be attached to the floor when it is not possible to install the primary system. After having positioned and leveled the appliance the bracket has to be anchored to the floor and engaged in the slots at the rear of the appliance.



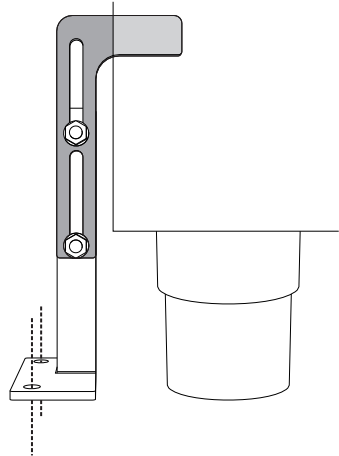
NOTE: According to the type of floor, the installer should supply the suitable fastening systems (Type of screw recommended $3/8''$).



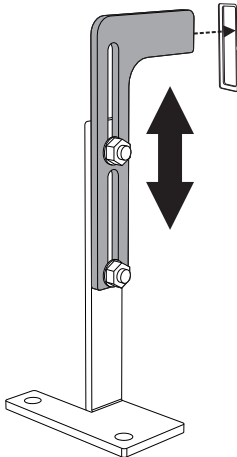
1. Assemble the fastening bracket as shown in the figure. Join the two parts without tightening them too much since there will be other adjustments to make.



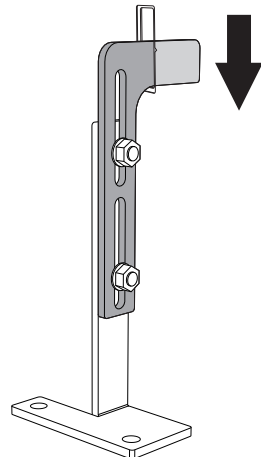
3. After having positioned and leveled the appliance, move the bracket close to the rear of the appliance and anchor it to the floor.



2. The bracket attachment should insert into one of the central slots at the rear.



4. Lower the bracket attachment until anchoring the appliance slot, tighten the nuts previously assembled. The anti-tip device works properly only if the bracket attachment is securely anchored to the appliance.





Installation

1.5 Electrical requirements



Warning

Electrical shock hazard

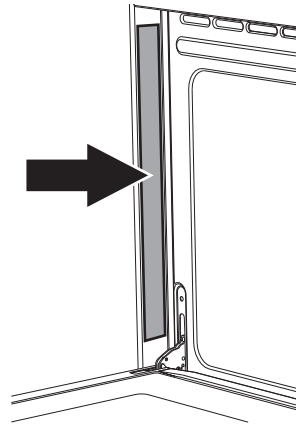
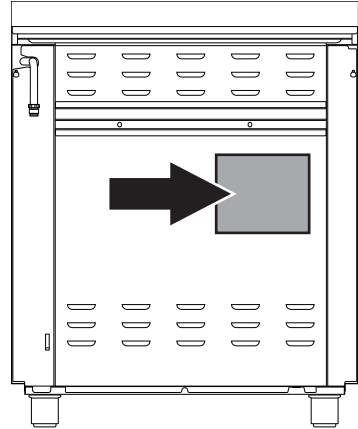
- Frame grounded by connection of grounding lead to neutral lead. If used in a mobile home or if local codes do not permit grounding through neutral, open connection and use grounding lead to ground unit in accordance with local codes. Connect neutral lead to branch-circuit neutral conductor in usual manner.
- Do not use an adaptor.
- Do not use an extension cord.
- Check with a qualified electrician if you are not sure whether the range is grounded.
- Turn power supply off before connecting wires.
- Electrically ground the range.
- Failure to follow these instructions can result in loss of life, fire, or electrical shock.
- Improperly connecting the appliance grounding conductor can result in a risk of electrical shock. Check with a qualified electrician or serviceman if you are in doubt as to whether the appliance is properly grounded. Do not modify the power supply cord. If it does not fit in the outlet, have a proper outlet installed by a qualified electrician.



FAILURE TO FOLLOW THESE INSTRUCTIONS COULD RESULT IN LOSS OF LIFE, FIRE OR ELECTRICAL SHOCK.

Make sure that the power line rating matches the specifications indicated on the ID plate. The ID Plates are visibly located on the back of the appliance and on the oven door frame.

These ID plates must never be removed.



Installation



EN

- If codes permit and a separate ground wire is used, it is recommended that the suitability of the ground path be checked by a qualified electrician.
- When a four-wire or three-wire, single-phase, 120/208-volt, 60 Hz or 120/240-volt, 60 Hz, AC-only, electrical supply is available, a double 20 ampere maximum circuit protection is required. A time-delay fuse or circuit breaker is recommended. The ID Plates are visibly located on the back of the appliance and on the oven door frame.
- Wire size and connections must conform to the requirements of the National Electrical Code, NFPA 70 or the Canadian Electric Code, CSA C22.1-02 or latest edition and all local codes and ordinances for the kilowatt rating of the range. **IMPORTANT:** Observe all governing codes and ordinances.
- Copies of the standards listed above may be obtained from:
- (*) National Fire Protection Association, One Batterymarch Park, Quincy, Massachusetts 02169-7471
- (**) CSA International 8501 East Pleasant Valley Road Cleveland, Ohio 44131-5575.
- This appliance is manufactured with a green-yellow or green ground wire connected to the oven frame. Make sure that the power has been turned off then connect the flexible connector. Connect the appliance to the junction box using a UL listed conduit connector. Do not shorten the flexible metal connector.
- Your local codes and ordinances, of course, take precedence over these instructions. Complete electrical connections according to local codes and ordinances.
- This range must be connected to a grounded, metallic, permanent wiring system or a ground connector should be connected to the ground terminal or wire lead on the range.
- Connection at the connection block must be copper wire only.



NOTE: Use this method only if local codes allow connecting the oven frame ground conductor to the neutral wire of the power supply.

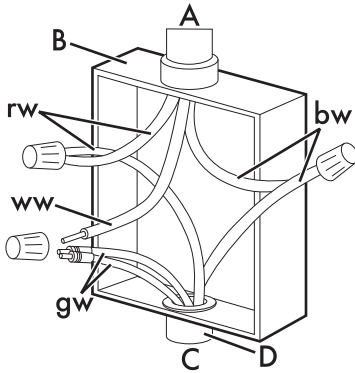


Installation

U.S. Installation only / 3-wire branch circuit

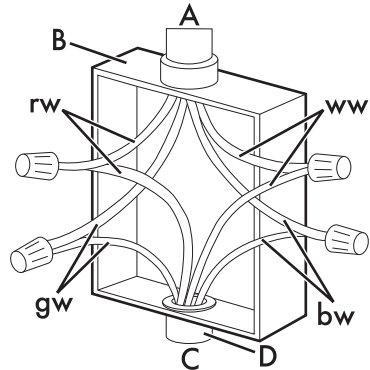
Refer to figure, where local codes allow the connection of the ground wire from the oven to the power supply cable neutral wire (white wire):

- The ground wire must be connected first;
- If local codes permit, connect the green or yellow-green ground wire from the range and the white wire from the range to the power supply neutral wire (white wire).
- Connect the red and black leads from the range to the matching color wires in the junction box using UL/CSA listed wire connectors.



U.S. and Canada installation / 4-wire branch circuit

- Separate the green or yellow-green wires from the white wires that extend out of the end of the appliance cable.
- The ground wire must be connected first.
- Connect the green or yellow-green ground wire from the appliance to the ground wire in the junction box (green colored wire) using UL/CSA listed wire connectors. Do not connect the grounding wire to the neutral wire in the junction box.
- Connect the red and black leads from the appliance to the matching color wires in the junction box using UL/CSA listed wire connectors.
- Connect the white wire from the appliance to the neutral white wire in the junction box using a UL/CSA listed wire connector.



A	cable from power supply
B	junction box
C	cable from range
D	UL/CSA listed conduit connector

bw	black wires
gw	white-green or yellow-green wires
rw	red wires
ww	white wires



- Connect to a 20A fuse or circuit breaker. Connect to copper wire, or, if connection is made to aluminum house wiring, use UL-listed or CSA-approved connectors approved for joining aluminum and copper wiring.



NOTE: Both leads coming out of the range must be connected according to the diagrams shown in figures.

This installation must conform with all local codes and ordinances. In the absence of local codes, installation must conform to American National Fuel Gas Code, ANSI Z223.1/NFPA 54 or, in Canada, the Natural Gas and Propane Installation Code, CSA B149.1.

If local codes permit, a flexible metal appliance conductor with the new AGA or CSA design certified, 4-5 feet (1.2-1.5 m) long, $\frac{1}{2}$ " or $\frac{3}{4}$ " ID NPT, is recommended for connecting this range to the gas supply line.

Do not bend or damage the flexible connector when moving the range. The pressure regulator has $\frac{3}{8}$ " female pipe threads. You will need to determine the fittings required, depending on the dimension of your gas supply line, the flexible metal connector and the shut-off valve.

The appliance should be installed in rooms that have a permanent air supply in accordance with the standards in force. The room where the appliance is installed must have enough air flow for the regular combustion of gas and the necessary air change in the room itself. The air vents, protected by grilles, must be the right size to comply with current regulations and positioned so that no part of them is obstructed, not even partially.

The room must be kept adequately ventilated in order to eliminate the heat and humidity produced by cooking: in particular, after prolonged use, you are recommended to open a window or to increase the speed of any fans.

1.6 Gas supply requirements



Warning Explosion hazard

- Use a new AGA or CSA-approved gas supply line.
- Install a shut-off valve.
- Securely tighten all gas connections.
- If connected to LP, have a qualified technician ensure that the gas pressure does not exceed a 14" W.C.P.
- Examples of qualified technicians include licensed heating personnel, authorized gas company personnel, and authorized service personnel.
- Failure to do so can result in loss of life, explosion, or fire.



NOTE:

- Observe all codes and ordinances in force.
- The range must be connected to a standard gas supply.



Installation

Gas connection

Connect the adapter **C** (ISO 228/1 - 1/2 NPT) to the gas inlet of the appliance **A** being sure to insert the supplied gasket **B**.

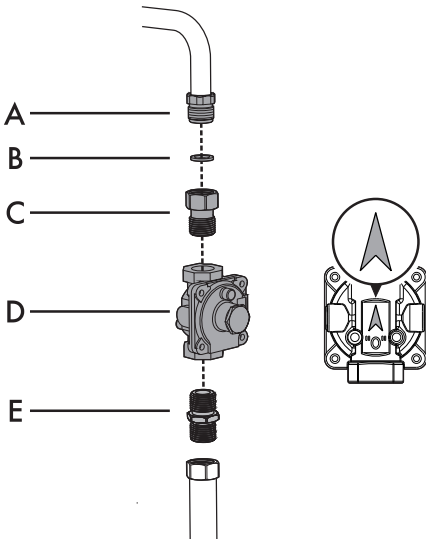
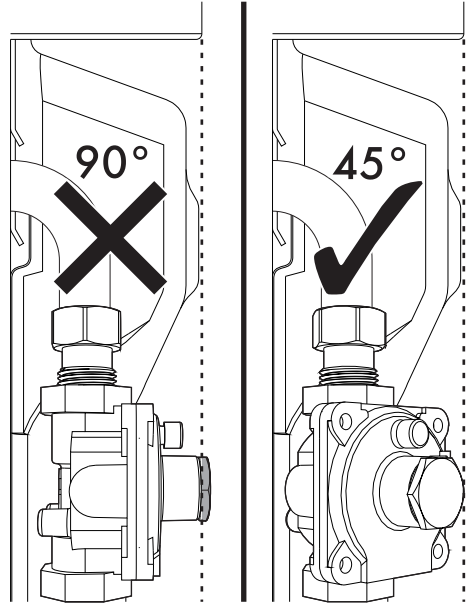
Apply a suitable sealing substance (such as Teflon tape) between pressure regulator **D** and adapter **C**.

Connect the pressure regulator **D** to the adapter **C** put on in the previous step (the arrow on the back of the regulator points towards the gas inlet of the appliance).

Apply a suitable sealing substance (such as Teflon tape) between pressure regulator **D** and adapter **E** (1/2 NPT - 1/2 NPT) (not supplied).

Connect the adapter **E** to the pressure regulator **D**.

Due to problems of overall dimensions at the back, screw in the pressure regulator so that it is sloped at 45° vs the wall at the back of the appliance.



WARNING: The tightening torque of adapter (C / E) must not be greater than 36 ozf - 10 Nm.



Test the appliance

Follow these instructions to leak test the appliance:

Use a brush and liquid detergent to test all gas connections for leaks. Bubbles around connections indicate a leak. If a leak appears, shut off the gas valve controls and adjust the connections. Then check the connections again. Remove all the detergent product from the range. Replace the parts on the burner and turn the knobs on the gas tap valves.

NEVER TEST FOR GAS LEAKS WITH A MATCH OR OTHER FLAMES.

Shut-off valve

The supply line must be fitted with an approved shut-off valve.

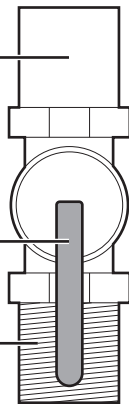
This valve should be located in the same room as the range and should be in a location where it can be easily opened and closed.

Do not block access to the shut-off valve. The valve is necessary for turning the gas to the appliance on or off.

To Range

Shutoff Valve
"open" position

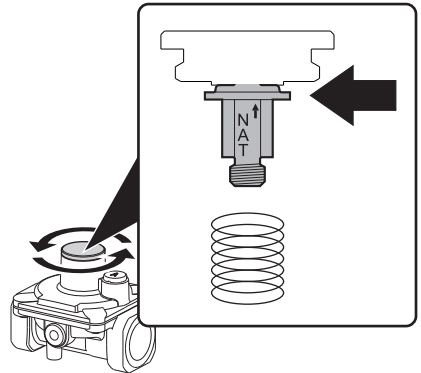
Gas Supply Line



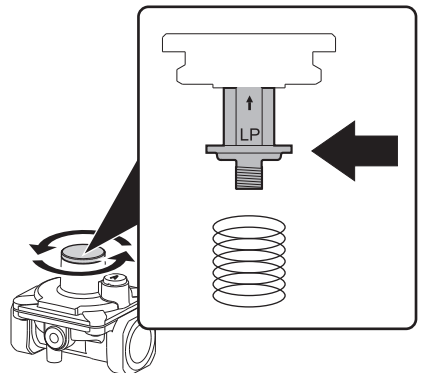
Incoming line pressure

Incoming line pressure upstream from the regulator must be 1" (2.5 cm) W.C.P. higher than the manifold pressure in order to check the regulator. Incoming line pressure to the regulator should be as follows for operation and checking the regulator setting:

- **Natural Gas:** Set pressure to 5" W.C.P. Incoming line pressure of 6" - 10 1/2" W.C.P maximum.



- **LP Gas:** Set pressure to 10" W.C.P. Incoming line pressure 11" - 13" W.C.P. maximum.





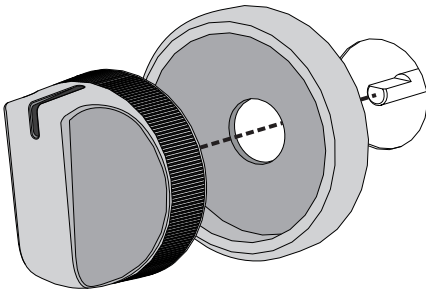
Installation



NOTE: The range must be isolated from the gas supply piping system by turning off the respective manual shut-off valve during any pressure testing of the gas supply piping system.

Lubricating the surface burner gas valves

Over time, the surface burner gas valves may become stiff or jam. Clean them internally and relubricate. This operation must be carried out by a qualified technician.



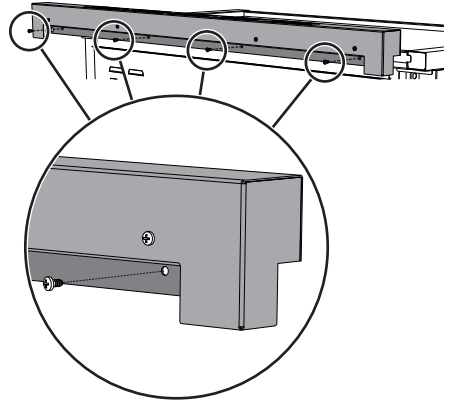
Assembling the backguard



The backguard provided is an integral part of the product; it must be fastened to the appliance prior to installation.

The backguard must always be positioned and secured correctly on the appliance.

1. Position the backguard above the top, taking care to align the holes.



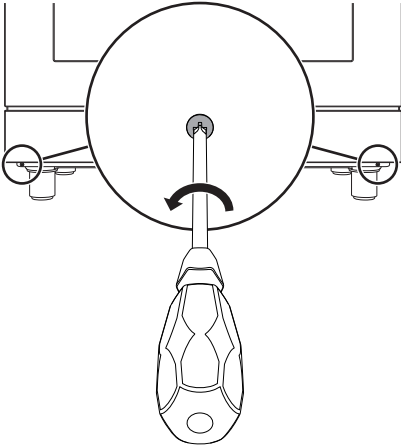
2. Secure the backguard to the top by tightening screws.



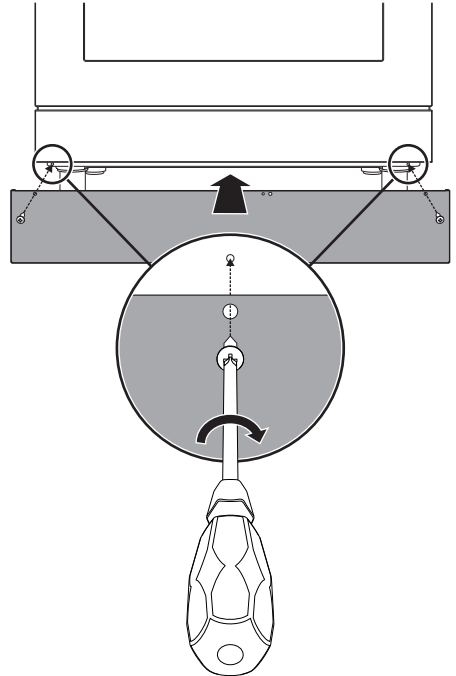
Installing the front skirting

The front skirting must always be positioned and secured correctly on the appliance.

1. Use a screwdriver to remove the front screws underneath the storage compartment.



2. Position the front skirting at the bottom of the appliance and line up the side holes of the front skirting with the holes on the base of the appliance.



3. Fasten the front skirting to the appliance using the previously removed screws.

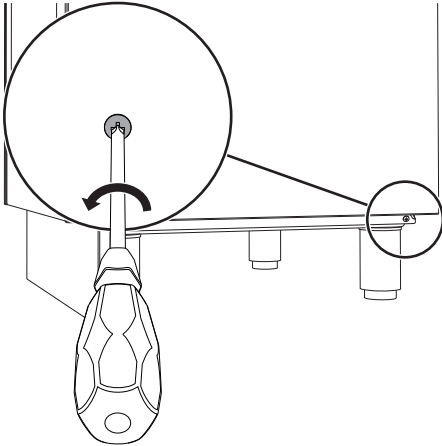


Installation

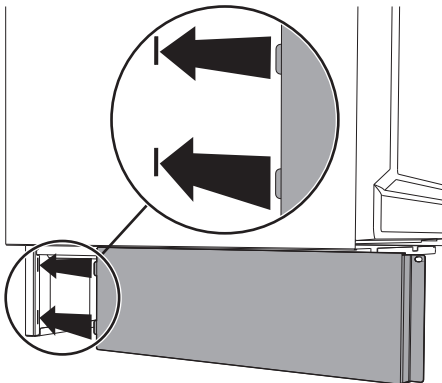
Installing the side skirting

After installing the front skirting, the side skirting can be fastened correctly to the appliance.

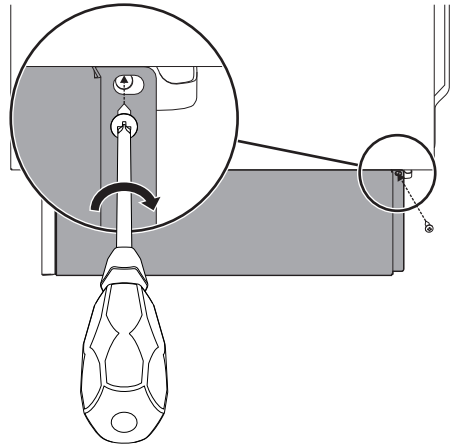
1. Use a screwdriver to remove the front screws underneath the storage compartment.



2. Position the side skirting on the lower side section of the appliance below the storage compartment.
3. Insert the tabs on the side skirting into the slots on the rear part of the front skirting.



4. Line up the hole on the side skirting with the rear hole on the base of the appliance.



5. Fasten the side skirting to the appliance using the previously removed screw.
6. Repeat the operations described above for the other side skirting section.



1.7 For the installer

- The plug must remain accessible after the installation is complete. Do not kink or trap the mains connection cable.
- The appliance must be fitted according to the installation diagrams.
- Do not attempt to turn or stress the threaded elbow on the manifold. You risk damage to this part of the appliance which may void the manufacturer's warranty.
- Before leaving check all connections for gas leaks with soap and water. DO NOT use a naked flame for detecting leaks.
- Ignite all burners individually and concurrently to ensure correct operation of the gas valves, burner and ignition.
- Turn the gas knobs to the low position and observe stability of the flame for each burner individually and all together.
- In case the appliance fails to operate correctly after all checks have been carried out, refer to the Authorised Assistance Centre in your area.
- When satisfied with the appliance, please instruct the user on the correct method of operation.

PAGE INTENTIONALLY LEFT BLANK