

# CPRU330X

Product family	Drawer
Commercial height	26 cm
Type	Warming drawer



## Aesthetic

Aesthetics	Classic	Stainless steel type	Brushed
Color	Stainless steel	Handle	Classic
Finishing	Fingerprint-proof	Logo	Silkscreened
Material	Stainless steel	Logo position	Inside

## Controls

Control setting type	Control knobs	Control knobs	Standard
Type of temperature control	Electro-mechanic	Control color	Stainless steel effect
No. of controls	1		

## Programs / Functions

Defrost	Yes
Proof	Yes
Mug warmer	Yes
Keep warm	Yes
Dish warmer	Yes
Warming drawer	Yes

## Technical Features

Opening mechanism	With handle	Capacity	56 l
Base material	Stainless steel	Type of heating	Fan-assisted
Max weight allowance	15 kg		

---

Maximum drawer loading weight	235 kg	Included accessories	Rack, Silicone antislip mat
-------------------------------	--------	----------------------	-----------------------------

## Electrical Connection

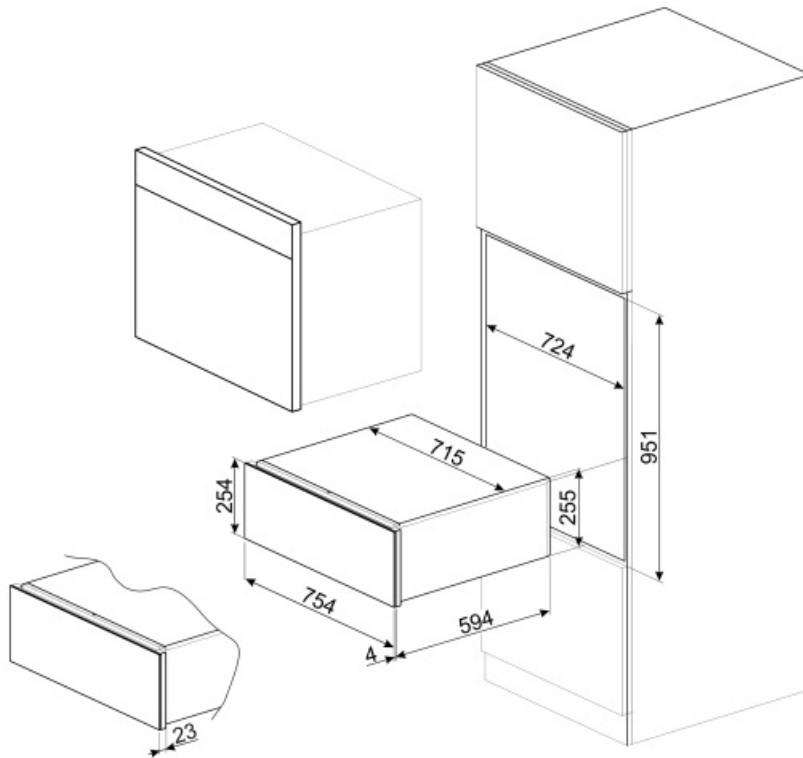
---

Plug	(B) USA 120V	Voltage	115 V
Nominal power	800 W	Frequency (Hz)	60 Hz
Current	7 A		

## Logistic Information

---

Width	28 1/8 "	Height	10 1/16 "
Depth	24 7/16 "		



---

## Benefit (TT)

---

### Functions available

Functions can be selected directly from the knob: keep warm, reheating, defrost, dish warmer, proofing and mug warmer

### Steel base

Presence of non-slip silicone mat; removable and useful for placing dishes without them slipping, to avoid soiling the base of the drawer and to prevent scratches.