



CR2B120



2.5" x 11.25" x 20" (H x W x D)

115V 2-burner radiant cooktop with smooth black ceramic glass surface and preinstalled cord

Highlights:

Two-burner electric cooktop with 120V operation

Smooth black ceramic glass surface offers easy cleanup and modern style

Stainless steel trim offers an added touch of modern style

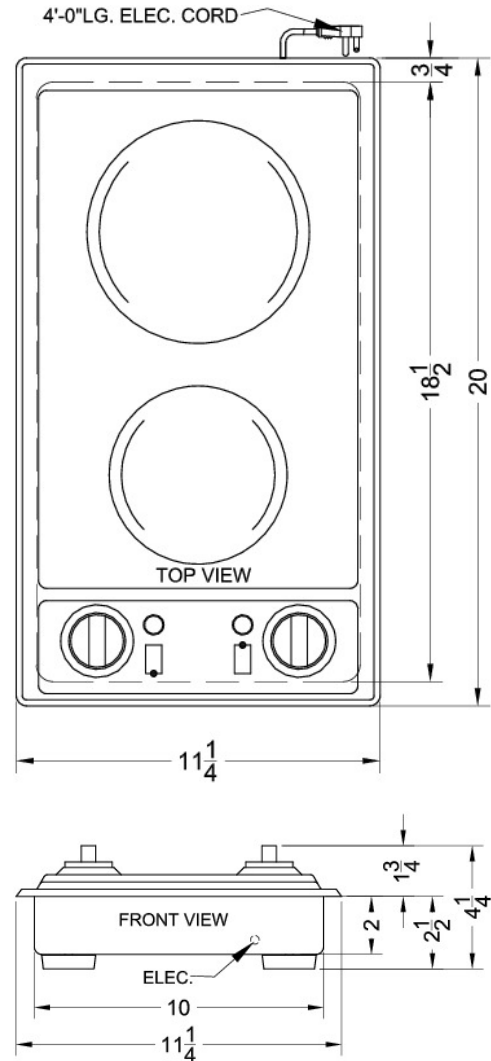
Product Features:

Smooth black ceramic surface	Easy cleanup and elegant style on a smooth ceramic glass surface
Two heating elements	One 900W burner and one 500W burner in smooth ceramic glass
115V operation	Standard 3-plug cord included for use with 20 amp circuits
Push-to-turn controls	Prevents accidents by requiring a small amount of force to turn on cooktop heat
Indicator lights	Show when and which burners are turned on
Designed for built-in installation	Cutout dimensions: 10 1/8" W x 18 5/8" D
ADA compliant design	Upfront controls and easy-to-operate knobs offer easier accessibility
Cord included	Ships with standard 3-pronged cord pre-installed



CR2B120 Specifications:

Overview	
Nominal Height	2.5" (6 cm)
Height of Cabinet	2.5" (6 cm)
Nominal Width	12.0" (30 cm)
Width	11.25" (29 cm)
Nominal Depth	20.0" (51 cm)
Depth	20.0" (51 cm)
Cabinet	Black
US Electrical Safety	ETL
Canadian Electrical Safety	ETL-C
Amps	20.0
Voltage/Frequency	115 V AC/60 Hz
Weight	20.0 lbs. (9 kg)
Parts & Labor Warranty	1 Year
UPC	761101023946
Electric Cooktop	
Heating Type	Radiant
Surface	Glass
Element Type	Glasstop
Number of Elements	2
Controls	Dial
Countertop Cutout Height	2.5" (6 cm)
Countertop Cutout Width	10.13" (26 cm)
Countertop Cutout Depth	18.63" (47 cm)
Element #1 Size	5.75" (15 cm)
Element #1 Wattage	500.0
Element #2 Size	7.0" (18 cm)
Element #2 Wattage	900.0
Power Cord Included	Yes



MODEL: CR2B120
120V-60HZ 1400W MAX.