



CR3240



3.38" x 20.63" x 19.13" (H x W x D)

230V three-burner cooktop in black ceramic glass, made in Europe

Highlights:

Three-burner electric cooktop with 230V operation

Smooth black ceramic glass surface offers easy cleanup and modern style

Includes push-to-turn knobs and heat indicator light for safer use

Product Features:

Smooth black surface made from Eurokera glass Easy cleanup and elegant style on a smooth ceramic glass surface

Three heating elements 3 1200W burners, each with 6" diameter, manufactured for SUMMIT by E.G.O. of Germany, considered by many to be the finest in the world

Push-to-turn controls Prevents accidents by requiring a small amount of force to turn on cooktop heat

Residual heat indicator light Indicates when surface is still hot to touch

Designed for built-in installation Fits counter cutout sizes that are 19 7/8" wide by 18 3/8" deep

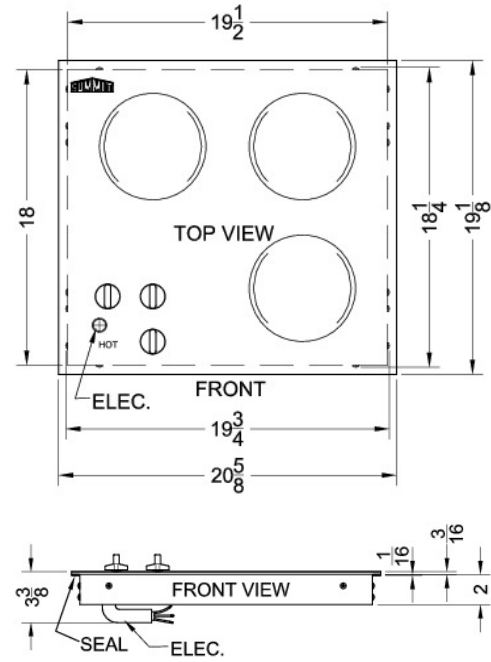
ADA compliant design Upfront controls and easy-to-operate knobs offer easier accessibility



CR3240 Specifications:

Overview	
Nominal Height	3.38" (9 cm)
Height of Cabinet	3.38" (9 cm)
Nominal Width	21.0" (53 cm)
Width	20.63" (52 cm)
Nominal Depth	20.0" (51 cm)
Depth	19.13" (49 cm)
Cabinet	Black
US Electrical Safety	UL
Canadian Electrical Safety	ULC
Voltage/Frequency	230 V AC/60 Hz
Weight	15.0 lbs. (7 kg)
Parts & Labor Warranty	1 Year
UPC	761101023649

Electric Cooktop	
Heating Type	Radiant
Surface	Glass
Element Type	Glasstop
Number of Elements	3
Controls	Dial
Countertop Cutout Height	3.38" (9 cm)
Countertop Cutout Width	19.88" (50 cm)
Countertop Cutout Depth	18.38" (47 cm)
Power Source	230V
Element #1 Size	6.0" (15 cm)
Element #1 Wattage	1200.0
Element #2 Size	6.0" (15 cm)
Element #2 Wattage	1200.0
Element #3 Size	6.0" (15 cm)
Element #3 Wattage	1200.0
Power Cord Included	No



MODEL: CR3240
240V-60Hz 3600W