

CS 2090G

Freestanding / Semi Built-in

LIEBHERR



Refrigeration and Freezing



home.liebherr.com

CS 2090G

Energy consumption (kWh / y)	550
Estimated Yearly Energy Cost* in US \$	77
Sound rating** dB(A)	42
Refrigerator capacity cu.ft. (l)	13.5(382)
BioFresh compartment cu.ft. (l)	-
Freezer capacity cu.ft. (l)	6.0 (170)
Electronic control	MagicEye with digital temp. display, touch electronic
Defrost type	Automatic
Interior light	LED light column / LED ceiling
Number of shelves	3
Number of door racks	6
Number of drawers	3
Number of freezer drawers	2
Refrigerator Temperature range °F (°C)	+36°F to +43°F (+2°C to +6°C)
Freezer Temperature range °F (°C)	+7°F to -17°F (-14°C to -27°C)
Water filter	Yes
Ice maker	Fixed water connection
Ice cube output lbs. (kg.)	3.1 (1.4)
Ice cube stock lbs. (kg.)	6(2.7)
Door hinges	right
Product dimensions	
in inch (H / W / D)	79 13/16" / 35 7/8" / 24 1/4"
in cm (H / W / D)	202.7/91/61.5
Cut out dimensions	
in inch (H / W / D)	80" / 36 7/8" / 24 1/16"
in cm (H / W / D)	203.2/91.5/61
Net weight lbs. (kg)	381.4(173.0)
Voltage V / Hz	115/60

* Energy Cost will depend on utility rates and use. Estimated energy cost based on a national average electricity cost of 14 cents per KWh.

** Noise output – according to EN 60704-3

Accessories

Water Filter 9880980/7440002 / 9883057

**Top Ventilation Grill
84" cabinets, single unit** 9900 277

Features

Duo Cooling

Lengthen the shelf life and preserve the flavor of your foods with a dual refrigeration system that creates ideal conditions in both the refrigerator and freezer.

Ice Maker

Liebherr's automatic IceMaker produces perfect ice cubes and keeps a constant supply on hand for every occasion.

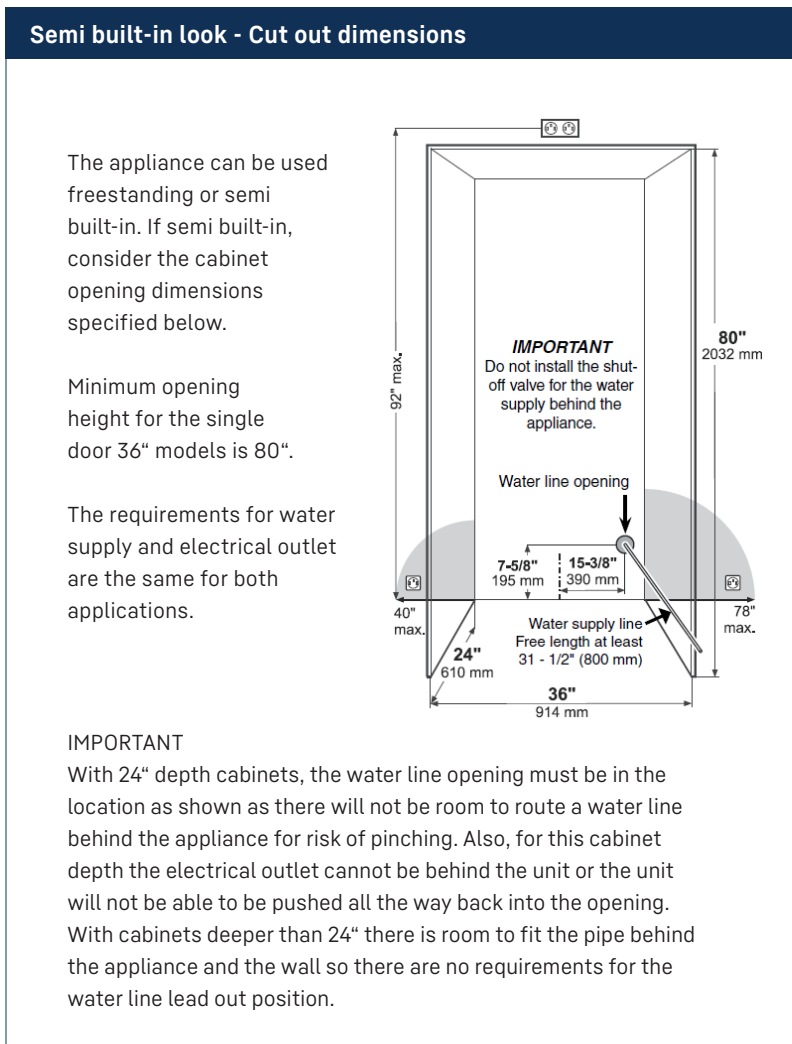
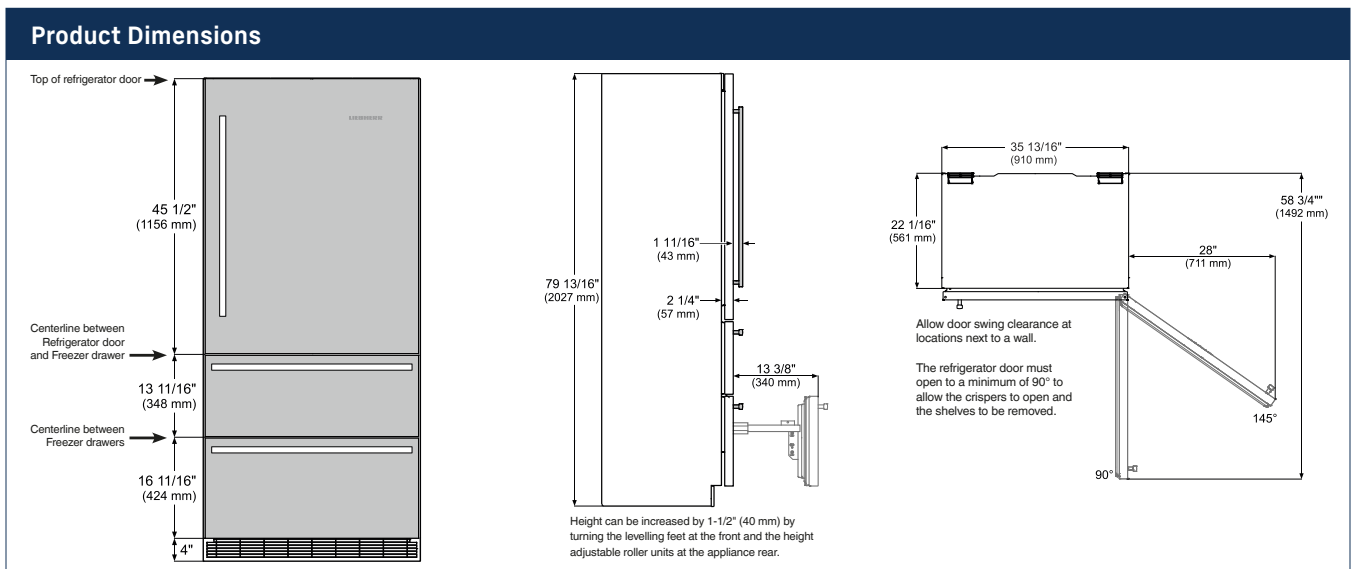
Telescopic Rails

Store food securely within reach thanks to fully extendable pull-out drawers. The SoftTelescopic system provides convenient and reliable self-retraction with soft closing.

Super Cool

Generates greater cold reserves so that freshly stored food can be rapidly chilled. Reversion from the chilling temperature of +35.6°F to the normal refrigeration temperature is time or quantity-controlled to help save energy.

Diagrams



Subject to modification. For up-to-date information, visit home.liebherr.com. Specifications are for planning purposes only. For more detailed information, refer to installation instructions or Design Guide.