



IN HARMONY WITH NATURE,
YOUR LIFE, AND YOU.

Blomberg
seit 1883

24" Touch Control Electric Cooktop

CTE24410



FEATURES

- Slide Touch Control with Timer
- Programmable Touch Control System
- Smooth Top for Easy Cleaning
- Four Vitroceramic Cooking Zones
- Individual Heat Indicator

FINISH

Stainless Steel Frame

DIMENSIONS (H x W x D)

2⁵/₈ x 24³/₁₆ x 20¹⁵/₁₆ in.

GENERAL

Glass Type	Glass ceramic
Size	24"
Color	Black
Heating Technology	Electric (Vitroceramic)
Stainless Steel Frame	Yes
Control Type	Touch Control

ELECTRIC BURNER FEATURES

Smooth Top for Easy Cleaning	Yes
Programmable Touch Control System	Yes
Slide Touch Control with Timer	Yes
Residual Heat Indicator	Yes

STANDARD POWER

Front Left	ø 3 15/16" — 650 W Hi-Light
Front Right	ø 3 15/16" — 650 W Hi-Light
Rear Left	ø 5 3/4" — 1,200 W Hi-Light
Rear Right	ø 4 3/4" / 8 1/4" — 750 / 2,200 W Duo

DIMENSIONS

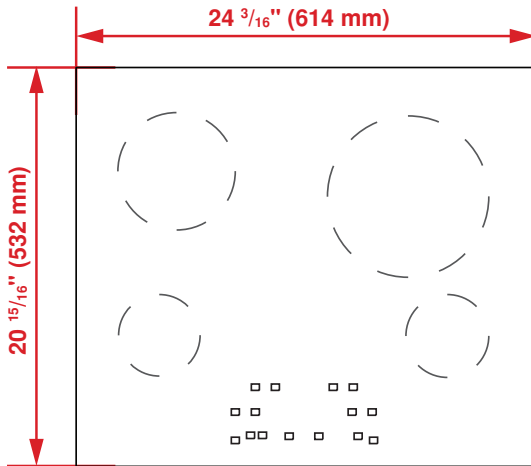
Required Cutout Dimension (W x D)	22 13/16 x 19 5/8 in.
Overall Height	2 5/8 in.
Overall Width	24 3/16 in.
Overall Depth	20 15/16 in.
Weight	25.8 lbs.

POWER / RATINGS

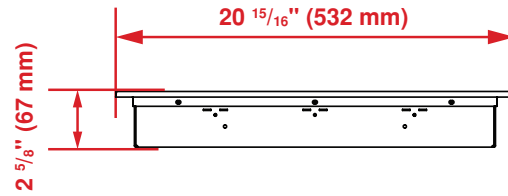
kW / Amp Rating at 240 V, 60 Hz	220–240 V, 60 Hz
Total Watts	4,700 W
Amp Rating	220 V, 21 Amp
Supply Cord	Yes



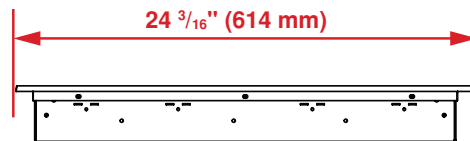
Top



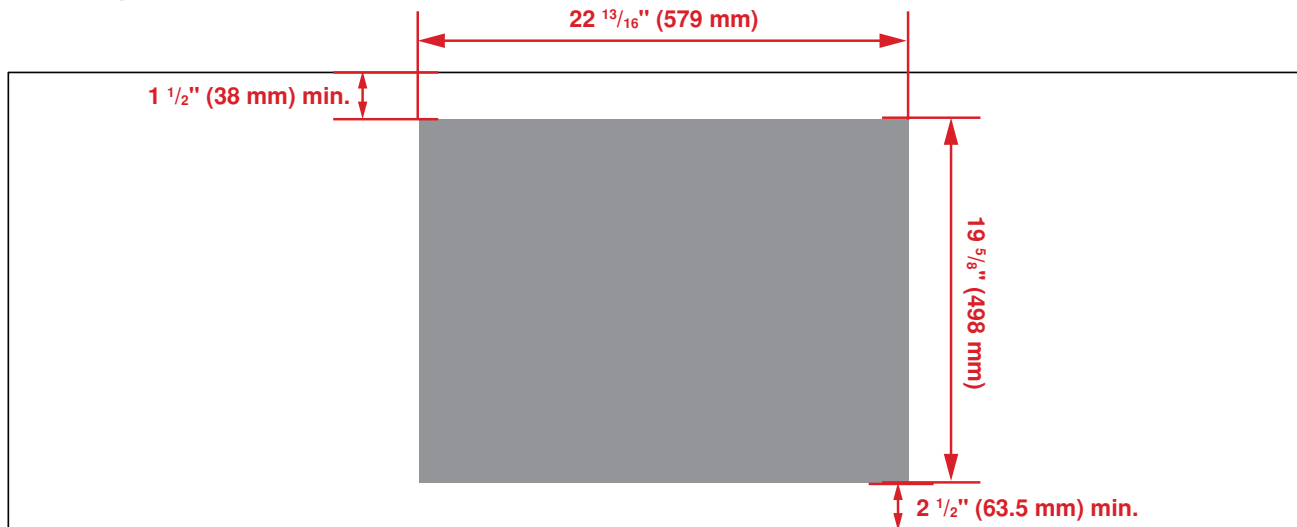
Side — Side View



Front — Side View



Countertop Cutout



NOTE TO THE INSTALLER: All height, width, and depth dimensions are shown in inches (as well as metric). Beko U.S., Inc. reserves the absolute and unrestricted right to change product materials and specifications, at any time, without notice. Please visit our website at www.BlombergAppliances.com or call 888.352.2356 to verify the latest specifications with final dimensional data and other details prior to installation and making a cutout. Applicable product limited warranty information may be found in accompanying product materials, or you may contact your account manager for further details. Proper installation is the responsibility of the installer. Product failure due to improper installation is not covered under the Limited Warranty.

IN HARMONY WITH NATURE, YOUR LIFE, AND YOU