

<b>MICROWAVE</b> Owner's Manual.....	<b>1 - 16</b>
<b>MICRO ONDE</b> Manuel du propriétaire.....	<b>17 - 32</b>
<b>MICROONDA</b> Manual del propietario.....	<b>33 - 48</b>

**MODEL • MODÈLE • MODELO**

**DBMW0921BBB**  
**DBMW0921BWW**  
**DBMW0925BBS**

Danby Products Limited, Guelph, Ontario, Canada N1H 6Z9  
Danby Products Inc. Findlay, Ohio, U.S.A. 45840

[www.danby.com](http://www.danby.com)



Printed in China | Imprimé en Chine | Impreso en China

2024.06.03

# Welcome to the Danby family.

We are proud of our quality products and we believe in dependable service. We suggest that you read this owner's manual before plugging in your new appliance as it contains important operation information, safety information, troubleshooting, and maintenance tips to ensure the reliability and longevity of your appliance.

You are entitled to the warranty coverage as described in the owner's manual provided with your new appliance.

1. Please write down your appliance information below. **You must keep the original proof of purchase receipt to validate and receive warranty services.**
2. Register your product online and receive a **FREE 2 MONTH WARRANTY EXTENSION** after filling out a product survey, at [www.danby.com/support/product-registration/](http://www.danby.com/support/product-registration/)

**Model Number:** \_\_\_\_\_

**Serial Number:** \_\_\_\_\_

**Date of Purchase:** \_\_\_\_\_

## Need Help?

1. Read your Owner's Manual for installation help, troubleshooting, and maintenance assistance.
2. Visit [www.Danby.com](http://www.Danby.com) to access self-service tools, FAQs and much more by searching your model number in the search bar.
3. For the **Quickest Customer Service**, please fill out the web form at [www.danby.com/support](http://www.danby.com/support). Your submission will go directly to an expert on your particular appliance. Our average response times are between 20 minutes and 2 hours, during EST business hours.
4. Call **1-800-263-2629** - please note that during peak hours, hold times can exceed one hour.



## **IMPORTANT SAFETY INSTRUCTIONS**

### **READ AND FOLLOW ALL SAFETY INSTRUCTIONS**

Basic safety precautions should be followed when using electrical appliances, including the following:

**WARNING** - To reduce the risk of burns, electric shock, fire, injury to persons or exposure to excessive microwave energy:

1. Read all instructions before using the microwave.
2. Read and follow the specific "PRECAUTIONS TO AVOID POSSIBLE EXPOSURE TO EXCESSIVE MICROWAVE ENERGY" found on page 4.
3. This microwave must be grounded. Connect only to a properly grounded outlet. See "GROUNDING INSTRUCTIONS" found on page 5.
4. Install or locate this microwave only in accordance with the provided installation instructions.
5. Some products such as whole eggs and sealed containers, for example, closed glass jars, are able to explode and should not be heated in this oven.
6. Use this microwave only for its intended use as described in this manual. Do not use corrosive chemicals or vapors in this microwave. This type of oven is specifically designed to heat, cook or dry food. It is not designed for industrial or laboratory use.
7. **HOT CONTENTS CAN CAUSE SEVERE BURNS. DO NOT ALLOW CHILDREN TO USE THE MICROWAVE.** Use caution when removing hot items.
8. Do not operate this microwave if it has a damaged cord or plug, if it is not working properly or if it has been damaged or dropped.
9. This microwave should be serviced only by qualified service personnel. Contact the nearest authorized service facility for examination, repair, or adjustment.
10. Do not cover or block any openings on the microwave.

**SAVE THESE INSTRUCTIONS!**



## **IMPORTANT SAFETY INSTRUCTIONS**

### **READ AND FOLLOW ALL SAFETY INSTRUCTIONS**

11. Do not store this microwave outdoors. Do not use this microwave near water, for example, near a kitchen sink, in a wet basement, near a swimming pool or similar location.
12. Do not immerse the power cord or plug in water.
13. Keep the power cord away from heated surfaces.
14. Do not let the power cord hang over edge of a table or counter.
15. When cleaning the surfaces of the door and oven that make contact when the door is closed, use only mild, nonabrasive soaps, or detergent applied with a sponge or soft cloth.
16. To reduce the risk of fire in the oven cavity:
  - Do not overcook food. Carefully attend the microwave when paper, plastic, or other combustible materials are placed inside the oven to facilitate cooking.
  - Remove wire twist -ties from paper or plastic bags before placing the bag in oven.
  - If material inside of the oven ignites, keep the oven door closed, turn the oven off, and disconnect the power cord, or shut off the power at the fuse or circuit breaker panel.
  - Do not use the oven for storage purposes. Do not leave paper products, cooking utensils, or food inside the oven when not in use.
17. Liquids, such as water, coffee, or tea are able to be overheated beyond the boiling point without appearing to be boiling. When the container is removed from the microwave, visible bubbling or boiling is not always present. **THIS COULD RESULT IN VERY HOT LIQUIDS SUDDENLY BOILING OVER WHEN THE CONTAINER IS DISTURBED OR A UTENSIL IS INSERTED INTO THE LIQUID.**
  - Do not overheat liquids.
  - Stir liquids both before and halfway through heating.
  - Do not use straight sided containers with narrow necks.
  - After heating, allow the container to stand in the microwave for a short period of time before removing it.
  - Use extreme care when inserting a spoon or other utensil into the container.

**SAVE THESE INSTRUCTIONS!**



## **IMPORTANT SAFETY INSTRUCTIONS**

### **READ AND FOLLOW ALL SAFETY INSTRUCTIONS**

#### **PRECAUTIONS TO AVOID POSSIBLE EXPOSURE TO EXCESSIVE MICROWAVE ENERGY**

- (1) Do not attempt to operate this oven with the door open. Open-door operation can result in harmful exposure to microwave energy. It is important not to defeat or tamper with the safety interlocks.**
- (2) Do not place any object between the oven cabinet and the door or allow soil or cleaner residue to accumulate on surfaces that make contact when the door is closed.**
- (3) Do not operate the oven if it is damaged. It is particularly important that the oven door close properly and that there is no damage to the:**
  - (a) door (bent),**
  - (b) hinges and latches (broken or loosened),**
  - (c) door seals and sealing surfaces.**
- (4) The oven should not be adjusted or repaired by anyone except properly qualified service personnel.**

**SAVE THESE INSTRUCTIONS!**



# IMPORTANT SAFETY INSTRUCTIONS

## READ AND FOLLOW ALL SAFETY INSTRUCTIONS

### GROUNDING INSTRUCTIONS

This microwave must be grounded. In the event of an electrical short circuit, grounding reduces the risk of electrical shock by providing an escape wire for the electrical current.

This microwave is equipped with a cord that has a grounding wire with a grounding plug. The power cord must be plugged into an outlet that is properly grounded. If the outlet is a 2 prong wall outlet, it is your responsibility to have it replaced with a properly grounded 3 prong wall outlet. The serial rating plate indicates the voltage and frequency the microwave is designed for.

**WARNING** - Improper use of the grounding plug can result in a risk of electric shock. Consult a qualified electrician or service agent if the grounding instructions are not completely understood, or if doubt exists as to whether the microwave is properly grounded.

If it is necessary to use an extension cord, use only a 3 wire extension cord that has a 3 blade grounded plug and a 3 slot receptacle that will accept the plug on the microwave. The marked electrical rating of the extension cord must be at least as great as the electrical rating of the microwave. The longer cord must be arranged so that it will not drape over the counter top or tabletop where it can be pulled by children or tripped over.

**DANGER** - Electric Shock Hazard: Touching some of the internal components can cause serious personal injury or death. Do not disassemble this microwave.

**WARNING** - Electric Shock Hazard: Improper use of the grounded plug can result in electric shock. Do not plug the microwave in if the grounded plug is damaged.

A short power supply cord is provided to reduce the risks resulting from becoming entangled in or tripping over a longer cord.

If the power supply cord is damaged, it must be replaced by the manufacturer, its service agent or similar qualified person to avoid hazard.

Have a qualified electrician install a grounded outlet near the microwave if the power cord is too short.

**SAVE THESE INSTRUCTIONS!**



# IMPORTANT SAFETY INSTRUCTIONS

## READ AND FOLLOW ALL SAFETY INSTRUCTIONS

### SAFETY - SUPERHEATED LIQUID

Liquids are able to be overheated beyond the boiling point without appearing to be boiling due to the surface tension of the liquid. Visible bubbling will not always be present when the liquid is removed from the microwave. This could result in very hot liquids suddenly boiling over when a utensil or other item such as a tea bag is inserted into the liquid.

To reduce the risk of injury:

- Do not overheat liquids. Do not heat any liquid for more than 2 minutes per cup.
- Stir liquids before and halfway through heating.
- Do not use straight-sided containers with narrow necks as this can cause a build up of steam.
- Superheated liquid can begin to spontaneously boil when removed from the microwave. After heating, allow the liquid to stand in the microwave for 30 seconds before removing.
- Use extreme care when inserting a utensil or other item into hot liquids.

The contents of milk bottles and baby food jars should be stirred or shaken and the temperature checked before serving in order to avoid burns.

Do not defrost frozen beverages, especially carbonated beverages, in this microwave as they could explode.

Hot foods and steam can cause burns. Be careful when opening any container that has been heated in the microwave. Direct the opening away from the hands and face to avoid burns.

### SAFETY - ARCING

Arcing refers to sparks inside the microwave while it is in operation. Arcing is caused by:

- Metal or foil inside the microwave.
- Recycled paper towels being used inside the microwave, as these can contain small pieces of metal.

If arcing is present, stop operation and remove any metal or paper towels from the microwave.

### RADIO INTERFERENCE

This microwave generates and uses ISM frequencies and if not installed and used properly in strict accordance with the manufacturer's instructions, it may cause interference to radio and television reception. It has been type-tested and found to comply with limits for ISM Equipment pursuant to Part 18 of the FCC Rules, which are designed to provide reasonable protection against such interference in a residential installation.

However, there is no guarantee that interference will not occur in particular installations. If this microwave does cause interference to radio or television reception, which can be determined by turning the equipment off and on, the interference can be corrected by one or more of the following methods:

- Reorient the receiving antenna of radio or television.
- Move the microwave away from the receiver.
- Plug the microwave into a different outlet so that the microwave and receiver are on different branch circuits.

The manufacturer is not responsible for any radio or TV interference caused by unauthorized modification of this microwave. It is the responsibility of the user to correct such interference.

**SAVE THESE INSTRUCTIONS!**

## INSTALLATION INSTRUCTIONS

### INSTALLATION

- Remove all packing materials from the inside and outside of the microwave. Do not remove the cardboard mica sheet covering the magnetron.
- Check the microwave for damage before using, such as a misaligned or bent door, damaged door seals, broken or loose door hinges or latches, or dents inside the cavity or on the door. If there is any damage, do not use the microwave, return it to its point of purchase or contact consumer care.
- The microwave must be placed on a flat, stable surface that is able to hold its weight and the heaviest food likely to be cooked in it.
- Do not use this microwave where heat, moisture or high humidity are generated.
- Do not clean this microwave with or use near combustible materials.
- Allow 7.5 cm (3 inches) of space above the microwave, 2.5 cm (1 inches) at the back of the microwave and 7.5 cm (3 inches) on both sides for proper air flow. Do not block any ventilation openings.
- Do not operate the microwave without the glass tray, roller support and shaft in their correct positions.
- **WARNING:** Do not install the microwave over a range cooktop or other heat producing appliance. If installed near or above a heat source the microwave could be damaged and the warranty would be void.

## OPERATING INSTRUCTIONS

### COOKING TECHNIQUES

To achieve the best results, follow the suggestions below.

#### STIRRING

Stir foods while cooking to distribute heat evenly. Food at the outside of the dish absorbs more energy and will heat more quickly so stir from the outside of the dish toward the center.

#### ARRANGEMENT

Arrange unevenly shaped foods with thicker, meatier parts toward the outside of the turntable so they receive more heat. To prevent overcooking, place delicate items toward the center of the turntable.

#### TURNING

Turn food over midway through cooking to expose all parts to the microwave energy. This is important with large items and meat.

#### STANDING

Foods cooked in a microwave build up internal heat and continue to cook for a few minutes after heating stops. Let foods stand to complete cooking, especially meats and liquids. All liquids should be allowed to stand for a few minutes after cooking and should be shaken or stirred before consuming.

#### ADDING MOISTURE

Microwave energy is attracted to water molecules. Food that is uneven in moisture content should be covered and allowed to stand after cooking to allow the heat to disperse evenly. Add a small amount of water to dry food to help it cook.



# OPERATING INSTRUCTIONS

## COOKING UTENSILS GUIDE

Certain utensils are inappropriate for use in a microwave. See below for more information on which utensils are recommended, which should only have limited use and which are not recommended.

### RECOMMENDED

**Microwave Browning Dish:** Used to brown the exterior of small food items. Follow the directions provided with the browning dish.

**Microwavable Plastic Wrap:** Used to retain steam. Leave a small opening to avoid a build up of steam. Do not place directly on food.

**Glass and Ceramic Bowls and Dishes:** Use for heating or cooking.

**Paper Plates and Cups:** Use for short term heating at low temperatures. Do not use recycled paper as they can contain metal and could ignite.

**Paper Towels and Napkins:** Use for short term heating and covering. They can absorb excess moisture and prevent splattering. Do not use recycled paper towels as they can contain metal and could ignite.

**Wax Paper:** Use as a cover to prevent splattering.

**Thermometers:** Only use those that are labeled "microwave safe" and follow all directions. Check the food in several places. Conventional thermometers can be used once the food has been removed from the microwave.

### LIMITED USE

**Ceramic, Porcelain and Stoneware:** Only use if they are labeled "microwave safe".

**Plastic:** Only use if labeled "microwave safe".

### NOT RECOMMENDED

**Glass Jars and Bottles:** Regular glass is too thin to be used in a microwave. It can shatter and cause damage or injury.

**Paper Bags:** These are a fire hazard and could ignite. The only exception is popcorn bags, which are designed for microwave use.

**Styrofoam Plates and Cups:** These can melt and leave an unhealthy residue on food.

**Plastic Storage and Food Containers:** These can melt and ignite.

**Metal Utensils:** These can cause arcing and damage to the microwave. Remove all metal before operation.

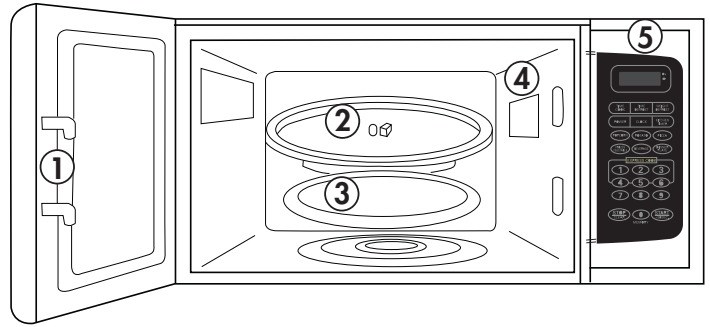
**Aluminum Foil:** Using foil can cause arcing and damage the microwave.

**Note:** To check if a dish is safe for use in the microwave, place the empty dish in the microwave and press the **Start/+30SEC** button to run a cooking program at 100% power for 30 seconds. If the dish becomes very hot, it should not be used.

# OPERATING INSTRUCTIONS

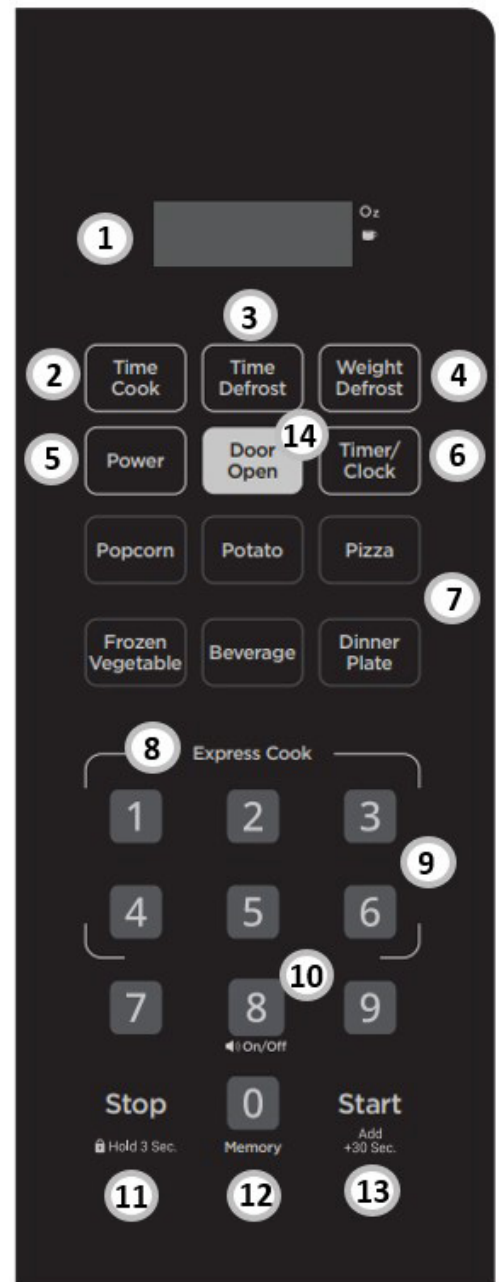
## FEATURES

1. Door Lock System
2. Glass Tray
3. Roller Ring
4. Mica Sheet (**Do Not Remove**)
5. Control Panel



## CONTROL PANEL

1. **Display:** Shows cooking time, power level and clock time.
2. **Time Cook:** Used to set the desired cook time.
3. **Time Defrost:** Used to set the defrost function based on time.
4. **Weight Defrost:** Used to set the defrost function based on weight.
5. **Power Button:** Used to select the power level.
6. **Timer/Clock Button:** Used to set the timer and to set the current time.
7. **Auto Cook Menus:** Instant settings to cook popular foods.
8. **Express Cook Buttons:** Used to set express cook options.
9. **Number Pad:** Used to set time or amounts.
10. **8/Mute:** Used to mute or unmute sound.  
Press and hold 3 seconds to mute, press and hold 3 seconds to unmute.
11. **Stop/Hold 3 SEC:**
  - Used to pause or clear a cooking program.
  - Press and hold for 3 seconds to engage the control panel lock.
12. **0/Memory Button:** Used to set the memory.
13. **Start/+30SEC Button:** Used to start a cooking program or add 30 seconds to a cooking program.
14. **Door Open:** Used for activating/deactivating Safety Lock feature.



# OPERATING INSTRUCTIONS

## FIRST TIME USE

When the microwave is plugged in for the first time, the display will show "0:00". Use the number pad to enter the current time and then press the clock button to confirm.

The microwave will return to standby mode if there is no input within 60 seconds.

During operation:

- Press the **Start/+30SEC** button to begin operation.
- Press the **Stop/Hold 3 SEC** button to cancel the cooking program.
- The microwave will beep five times at the end of a cooking program.

## MICROWAVE COOKING

1. Press the **Time Cook** button. The display will show "00:00".
2. Use the number pad to enter the desired cooking time. The maximum time is 99 minutes and 99 seconds.
3. Press the **Power** button to choose a power level. The default power level is 100%. The display will show "PL10". Use the number pad to enter the desired power level if 100% is not required. Consult the chart at the bottom of the page for information on power levels.
4. Press the **Start/+30SEC** button to begin operation.

**Note:** If "PLO" is selected, the microwave fan will run with no cooking function. This power level can be used to remove odors from the oven.

**Note:** During cooking, if the chosen power level is not sufficient, press the power button. The current power level will flash for three seconds. Use the number pad to choose a new power level and operation will continue in the new power level.

## SETTING THE TIMER/CLOCK

The clock can only be set as a 12 hour clock.

To set the current time:

1. Press the **Timer/Clock** button twice, the screen will display "00:00".
2. Use the number pad to enter the current time.
3. Press the **Timer/Clock** button to confirm.

During operation, press the **Clock** button to see the current time.

To set a timer:

1. Press the **Timer/Clock** button once, the screen will display "00:00"
2. Use the number pad to enter the desired time to run the timer. The maximum time is 99 minutes and 99 seconds.
3. Press the **Start/+30SEC** button to begin timer operation.

**Note:** The kitchen timer is a timer.

## TWO STAGE COOKING

Some recipes require different stages of cooking at different temperatures. To set a two stage cook program:

1. Press the **Time Cook** button and use the number pad to enter the desired cooking time for the first stage.
2. Press the **Power** button and use the number pad to enter the desired power level for the first stage.
3. Press the **Time Cook** button and use the number pad to enter the desired cooking time for the second stage.
4. Press the **Power** button and use the number pad to enter the desired power level for the second stage.
5. Press the **Start/+30sec** button to begin operation.

<b>Number Pad</b>	0	1	2	3	4	5	6	7	8	9	10
<b>Cooking Power</b>	0%	10%	20%	30%	40%	50%	60%	70%	80%	90%	100%
<b>Display</b>	PL0	PL1	PL2	PL3	PL4	PL5	PL6	PL7	PL8	PL9	PL10

# OPERATING INSTRUCTIONS

## AUTO COOK

The auto cook buttons can be used to set automatic cooking functions for the below food types.

### POPCORN

1. Press the **Popcorn** button repeatedly to cycle through the options of "1.75", "3.2" and "3.5". These numbers refer to the size of the popcorn bag in ounces.
2. Press the **Start/+30SEC** button to begin operation.

### POTATO

1. Press the **Potato** button repeatedly to cycle through the options of "1", "2" and "3". These numbers refer to the size of the portion in ounces. 1 is 8 ounces, 2 is 16 ounces and 3 is 24 ounces.
2. Press the **Start/+30SEC** button to begin operation.

### PIZZA

1. Press the **Pizza** button repeatedly to cycle through the options of "4.0", "8.0" and "14.0". These numbers refer to the size of the portion in ounces.
2. Press the **Start/+30SEC** button to begin operation.

### FROZEN VEGETABLE

1. Press the **Frozen Vegetable** button repeatedly to cycle through the options of "4.0", "8.0" and "16.0". These numbers refer to the size of the portion in ounces.
2. Press the **Start/+30SEC** button to begin operation.

### BEVERAGE

1. Press the **Beverage** button repeatedly to cycle through the options of "1", "2" and "3". These numbers refer to the number of cups.
2. Press the **Start/+30SEC** button to begin operation.

### DINNER PLATE

1. Press the **Dinner Plate** button repeatedly to cycle through the options of "9.0", "12.0" and "18.0". These numbers refer to the size of the portion in ounces.
2. Press the **Start/+30SEC** button to begin operation.

## EXPRESS COOK

When the microwave is not in operation, press the number pad from 1 to 6 to set a cooking program that will run between 1 and 6 minutes at 100% cooking power.

## ADD 30 SECONDS

When the microwave is not in operation, press the **Start/+30SEC** button to set a cooking program that will run for 30 seconds at 100% power level. This button can be pressed multiple times, each press will add a further 30 seconds to the cooking time. The maximum cooking time is 99 minutes and 99 seconds.

# OPERATING INSTRUCTIONS

## SAFETY LOCK

The Safety Lock is a system that safeguards against unintended activation of the microwave, providing a protective measure to ensure child safety.

Initiating a cooking process triggers the door lock, and it also engages if the door remains unlocked for an additional 30 minutes following the completion of cooking.

The Safety Lock is active by default. It will only be deactivated if the user chooses to do so manually. Even in the event of loss of power, the oven will preserve the state of the safety lock, whether it is activated or deactivated.

### Unlock the door:

Press **Door Open** during operation and open the door within 10 seconds or the safety lock will re-engage. The door will stay unlocked until cooking is initiated.

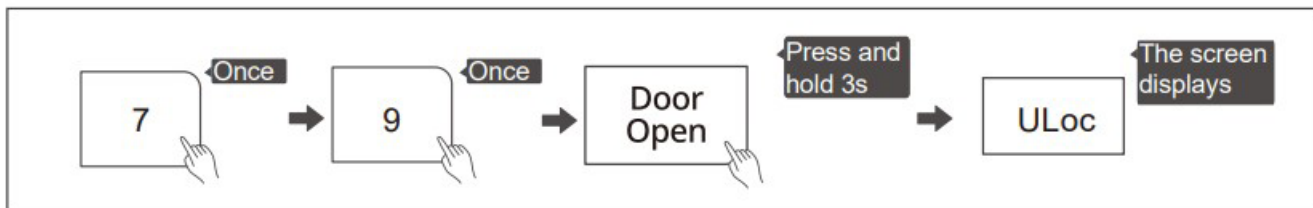
OR

Press **Door Open** within 30 minutes after cooking is complete to manually disable the door lock and switch to standby mode. If no key is pressed, the safety lock will automatically disengage after 30 minutes.

### Deactivate the safety lock:

If there are no children in the residence, you can choose to permanently deactivate the safety lock function.

Press "7", "9" in consecutive order and then press and hold **Door Open** for three seconds. Within 30 seconds, the screen will display "ULoc", indicating the successful deactivation of the safety lock.



### Re-activate the safety lock:

Press "7", "9" in consecutive order and then press and hold **Door Open** for three seconds. Within 30 seconds, the screen will display "Loc", indicating the successful re-activation of the safety lock.

## SETTING THE CONTROL PANEL LOCK

To set the control panel lock press and hold the **Stop/Hold 3Sec** button for 3 seconds. The microwave will beep to indicate that the lock is activated. While locked, the microwave cannot be used.

To cancel the control panel lock, press and hold the **Stop/Hold 3Sec** button for 3 seconds. The microwave will beep to indicate that the lock has been deactivated.

# OPERATING INSTRUCTIONS

## WEIGHT DEFROST

The defrosting time and power level are adjusted automatically once the weight is entered.

1. Press the **Weight Defrost** button. The display will show "dEF1".
2. Use the number pad to enter the weight of the food that will be defrosted between 4 ~ 100 oz.
3. Press the **Start/+30SEC** button to confirm.

## TIME DEFROST

1. Press the **Time Defrost** button. The display will show "dEF2".
2. Use the number pad to enter the desired defrosting time. The maximum time is 99 minutes and 99 seconds.
3. The default power level is 3, 30%. The display will show "PL3".
4. To change the power level, press the **Power** button and then press the number pad for the desired power level.
5. Press the **Start/+30SEC** button to confirm.

## MUTE MODE

In mute mode, the microwave does not make beeping sounds. Mute mode can only be activated in standby mode.

To active the mute mode, press and hold **8/Mute** for 3 seconds. A beep will sound and "OFF" will display. When you press a button, it does not make a sound.

To deactivate mode mode, press and hold **8/Mute** for 3 seconds. A beep will sound and "ON" will display.

## ECO FUNCTION

In ECO mode, the display screen will turn off. ECO function can only in standby mode.

To activate ECO mode, ensure the door is closed and press the **Stop/Hold 3Sec** button once. The screen will turn off.

**Note:** pressing any button or opening and closing the door will cancel the ECO function.

## MEMORY

The memory feature allows you to program cooking times and powers that can be recalled and used with minimal input. Three memory programs can be set at one time, they are labeled 1, 2 and 3.

To set Memory 1:

1. Press the **0/Memory** button once. The number 1 will display.
2. Press the **Time Cook** button and then use the number pad to enter the desired cook time.
3. Press the **Power** button once. The power level will default to 100%. "PL10" will display. To change the power level, use the number pad to enter the desired power level.
4. Press the **Start/+30SEC** button to save the setting.
5. To use the setting in future, press the **0/Memory** button once and when the number 1 is displayed, press the **Start/+30SEC** button to begin operation.

To set Memory 2 or 3, press the Memory button two or three times until the number 2 or 3 are displayed and then follow the steps above.

**Note:** If the power is lost or the microwave is unplugged, the memory settings will need to be reprogrammed.

## CARE AND MAINTENANCE

### CLEANING

Turn off and unplug the microwave before performing any cleaning.

The inside of the microwave should be cleaned with a warm, damp cloth and mild detergents. Do not allow food splatters to build up on the inside of the microwave as this can affect the efficiency and if sufficiently dirty, can ignite and cause fire.

The outside of the microwave should be cleaned with a warm, damp cloth. To avoid damage to internal components, do not allow any water to drip into the ventilation openings.

Clean the door and window on both sides, the door seals and the adjacent parts frequently with a damp cloth to remove any spills or splatters. Do not use abrasive cleaners.

Do not allow the control panel to become wet. If necessary, clean the control panel with a damp cloth and then wipe dry.

The glass tray can be removed and cleaned in warm water and mild detergent or can be placed in a dishwasher.

The roller ring and oven floor should be cleaned regularly to avoid excessive noise or spilling. The roller ring can be cleaned in warm water and mild detergent or can be placed in a dishwasher. Ensure that the roller ring and glass tray are replaced in the proper position to avoid noise or spilling.

### MAINTENANCE

To remove odors from the microwave:

1. Combine a cup of water with the juice and skin of one lemon in a microwavable bowl.
2. Microwave on full power for 5 minutes.
3. Wipe the inside of the microwave and glass tray and roller ring thoroughly with a warm, damp cloth.

### MICA SHEET

Inside the microwave there is a cardboard mica sheet protecting the magnetron. Do not remove this sheet. Exposing the magnetron to food splatters can cause arcing or fire. If it becomes dirty, the mica sheet can be cleaned with a warm cloth.

### DISPOSAL

This microwave should not be treated as ordinary household waste, it should be transported to the appropriate collection point for the recycling of electrical components. For information on local waste collection points, contact your local waste disposal agency or government office.

## TROUBLESHOOTING

<b>PROBLEM</b>	<b>POSSIBLE CAUSE</b>
<b>No power</b>	<ul style="list-style-type: none"><li>• A fuse may be blown or the circuit breaker tripped</li><li>• Plug not fully inserted into the wall outlet</li></ul>
<b>Arcing or sparking during operation</b>	<ul style="list-style-type: none"><li>• Metallic items were left in the microwave during operation</li><li>• The microwave is being operated while empty</li><li>• Spilled food has built up inside the microwave or on the mica sheet</li></ul>
<b>Unevenly cooked food</b>	<ul style="list-style-type: none"><li>• Food was not completely defrosted before cooking</li><li>• Cooking time or power level were insufficient</li><li>• Food was not turned or stirred during cooking</li></ul>
<b>Overcooked food</b>	<ul style="list-style-type: none"><li>• The power level or cooking time were too high</li></ul>
<b>Undercooked food</b>	<ul style="list-style-type: none"><li>• Food was not completely defrosted before cooking</li><li>• Cooking time or power level were insufficient</li><li>• Food was not turned or stirred during cooking</li><li>• Ventilation openings are blocked</li></ul>
<b>Poor Defrosting</b>	<ul style="list-style-type: none"><li>• Defrosting time or power level were insufficient</li><li>• Food was not turned or stirred during defrosting</li></ul>



## LIMITED "CARRY IN" WARRANTY

This quality product is warranted to be free from manufacturer's defects in material and workmanship, provided that the unit is used under the normal operating conditions intended by the manufacturer.

This warranty is available only to the person to whom the unit was originally sold by Danby Products Limited (Canada) or Danby Products Inc. (U.S.A.) (hereafter "Danby") or by an authorized distributor of Danby, and is non-transferable.

### TERMS OF WARRANTY

Plastic parts are warranted for thirty (30) days from the date of purchase, with no extensions provided.

**First 12 months** During the first **twelve (12) months**, any functional parts of this product found to be defective, will be repaired or replaced, at warrantor's option, at no charge to the original purchaser.

**To obtain service** Contact the dealer where the unit was purchased, or contact the nearest authorized Danby service depot, where service must be performed by a qualified service technician. If service is performed on the unit by anyone other than an authorized service depot, all obligations of Danby under this warranty shall be void.

It is the responsibility of the purchaser to transport the appliance to the nearest authorized service depot.

Transportation charges to and from the service location are not protected by this warranty and are the responsibility of the purchaser.

Nothing within this warranty shall imply that Danby will be responsible or liable for any spoilage or damage to food or other contents of this appliance, whether due to any defect of the appliance, or its use, whether proper or improper.

### EXCLUSIONS

Save as herein provided, by Danby, there are no other warranties, conditions, representations or guarantees, express or implied, made or intended by Danby or its authorized distributors and all other warranties, conditions, representations or guarantees, including any warranties, conditions, representations or guarantees under any Sale of Goods Act or like legislation or statute is hereby expressly excluded. Save as herein provided, **Danby shall not be responsible for any damages to persons or property, including the unit itself, howsoever caused or any consequential damages arising from the malfunction of the unit and by the purchase of the unit, the purchaser does hereby agree to indemnify and hold harmless Danby from any claim for damages to persons or property caused by the unit.**

### GENERAL PROVISIONS

No warranty or insurance herein contained or set out shall apply when damage or repair is caused by any of the following:

- 1) Power failure.
- 2) Damage in transit or when moving the appliance.
- 3) Improper power supply such as low voltage, defective house wiring or inadequate fuses.
- 4) Accident, alteration, abuse or misuse of the appliance such as inadequate air circulation in the room or abnormal operating conditions (ie. extremely high or low room temperature).
- 5) Use for commercial or industrial purposes (ie. If the appliance is not installed in a domestic residence).
- 6) Fire, water damage, theft, war, riot, hostility, acts of God such as hurricanes, floods etc.
- 7) Service calls resulting in customer education.
- 8) Improper Installation (ie. Building-in of a free standing appliance or using an appliance outdoors that is not approved for outdoor application, including but not limited to: garages, patios, porches or anywhere that is not properly insulated or climate controlled).

Proof of purchase date will be required for warranty claims; retain bills of sale. In the event that warranty service is required, present the proof of purchase to our authorized service depot.

**Warranty Service**  
Carry In

Danby Products Limited  
PO Box 1778, Guelph, Ontario, Canada N1H 6Z9  
Telephone: (519) 837-0920 FAX: (519) 837-0449

**1-800-263-2629**  
04/17

Danby Products Inc.  
PO Box 669, Findlay, Ohio, U.S.A. 45840  
Telephone: (419) 425-8627 FAX: (419) 425-8629

# Bienvenue dans la famille Danby.

Nous sommes fiers de nos produits de qualité et nous croyons en un service fiable. Nous vous suggérons de lire ce manuel du propriétaire avant de brancher votre nouvel appareil car il contient des informations de fonctionnement importantes, des informations de sécurité, des conseils de dépannage et d'entretien pour assurer la fiabilité et la longévité de votre appareil.

Vous avez droit à la couverture de la garantie décrite dans le manuel du propriétaire fourni avec votre nouvel appareil.

1. Veuillez noter ci-dessous les informations relatives à votre appareil. **Vous devez conserver la preuve d'achat originale pour valider et bénéficier des services de garantie.**
2. Enregistrez votre produit en ligne et recevez une **PROLONGATION DE GARANTIE GRATUITE DE 2 MOIS** après avoir rempli une enquête sur les produits, à l'adresse [www.danby.com/support/product-registration/](http://www.danby.com/support/product-registration/)

Numéro de modèle : \_\_\_\_\_

Numéro de série : \_\_\_\_\_

Date d'achat : \_\_\_\_\_

## Besoin d'assistance?

1. Lisez votre manuel du propriétaire pour obtenir de l'aide à l'installation, au dépannage et à la maintenance.
2. Visitez [www.Danby.com](http://www.Danby.com) pour accéder aux outils en libre-service, aux FAQ et bien plus encore en recherchant votre numéro de modèle dans la barre de recherche.
3. Pour bénéficier du **service client le plus rapide**, veuillez remplir le formulaire Web à l'adresse [www.danby.com/support](http://www.danby.com/support). Votre soumission ira directement à un expert de votre appareil particulier. Nos temps de réponse moyens sont compris entre 20 minutes et 2 heures, pendant les heures ouvrables EST.
4. Composez le **1-800-263-2629** - veuillez noter que pendant les heures de pointe, les temps d'attente peuvent dépasser une heure.



# CONSIGNES DE SÉCURITÉ IMPORTANTES

## LIRE ET SUIVRE TOUTES LES CONSIGNES DE SÉCURITÉ

Des précautions de sécurité de base doivent être suivies lors de l'utilisation d'appareils électriques, notamment les suivantes :

**ATTENTION** - Pour réduire le risque de brûlures, d'électrocution, d'incendie, de blessures corporelles ou d'exposition à une énergie micro-ondes excessive :

1. Lisez toutes les instructions avant d'utiliser le micro-ondes.
2. Lisez et suivez les « PRÉCAUTIONS POUR ÉVITER UNE POSSIBLE EXPOSITION À UNE ÉNERGIE EXCESSIVE DES MICRO-ONDES » qui se trouvent à la page 4.
3. Ce micro-ondes doit être mis à la terre. Connectez uniquement à une prise correctement mise à la terre. Voir « INSTRUCTIONS DE MISE À LA TERRE » à la page 5.
4. Installez ou localisez ce four à micro-ondes uniquement conformément aux instructions d'installation fournies.
5. Certains produits tels que les œufs entiers et les récipients scellés, par exemple les bocaux en verre fermés, peuvent exploser et ne doivent pas être chauffés dans ce four.
6. Utilisez ce micro-ondes uniquement pour l'usage auquel il est destiné, tel que décrit dans ce manuel. N'utilisez pas de produits chimiques ou de vapeurs corrosifs dans ce micro-ondes. Ce type de four est spécialement conçu pour chauffer, cuire ou sécher des aliments. Il n'est pas conçu pour une utilisation industrielle ou en laboratoire.
7. LE CONTENU CHAUD PEUT PROVOQUER DE GRAVES BRÛLURES. NE LAISSEZ PAS LES ENFANTS UTILISER LE MICRO-ONDES. Soyez prudent lorsque vous retirez des objets chauds.
8. N'utilisez pas ce four à micro-ondes s'il a un cordon ou une fiche endommagé, s'il ne fonctionne pas correctement ou s'il a été endommagé ou s'il est tombé.
9. Ce four à micro-ondes ne doit être réparé que par du personnel de service qualifié. Contactez le centre de service agréé le plus proche pour un examen, une réparation ou un réglage.
10. Ne couvrez ni ne bloquez les ouvertures du micro-ondes.

**CONSERVEZ CES INSTRUCTIONS !**



## **CONSIGNES DE SÉCURITÉ IMPORTANTES**

### **LIRE ET SUIVRE TOUTES LES CONSIGNES DE SÉCURITÉ**

11. Ne rangez pas ce micro-ondes à l'extérieur. N'utilisez pas ce micro-ondes près de l'eau, par exemple près d'un évier de cuisine, dans un sous-sol humide, près d'une piscine ou d'un endroit similaire.
12. Ne plongez pas le cordon d'alimentation ou la fiche dans l'eau.
13. Éloignez le cordon d'alimentation des surfaces chauffées.
14. Ne laissez pas le cordon d'alimentation pendre du bord d'une table ou d'un comptoir.
15. Lors du nettoyage des surfaces de la porte et du four qui entrent en contact lorsque la porte est fermée, utilisez uniquement des savons doux et non abrasifs ou un détergent appliqué avec une éponge ou un chiffon doux.
16. Pour réduire le risque d'incendie dans la cavité du four:
  - Ne pas trop cuire les aliments. Soyez attentif au micro-ondes lorsque du papier, du plastique ou d'autres matériaux combustibles sont placés à l'intérieur du four pour faciliter la cuisson.
  - Retirez les attaches torsadées des sacs en papier ou en plastique avant de placer le sac dans le four.
  - Si un matériau à l'intérieur du four s'enflamme, gardez la porte du four fermée, éteignez le four et débranchez le cordon d'alimentation, ou coupez l'alimentation au niveau du panneau de fusibles ou de disjoncteurs.
  - N'utilisez pas le four à des fins de stockage. Ne laissez pas de produits en papier, d'ustensiles de cuisine ou d'aliments à l'intérieur du four lorsqu'il n'est pas utilisé.
17. Les liquides tels que l'eau, le café ou le thé peuvent être surchauffés au-delà du point d'ébullition sans avoir l'air de bouillir. Lorsque le récipient est retiré du micro-ondes, il n'y a pas toujours de bulles ou d'ébullition visibles. **CECI POURRAIT FAIRE BOUILLIR SOUDAINEMENT DES LIQUIDES TRÈS CHAUDS LORSQUE LE RÉCIPIENT EST DERANGER OU QU'UN USTENSIILE EST INSÉRÉ DANS LE LIQUIDE.**
  - Ne pas surchauffer les liquides.
  - Remuez les liquides avant et à mi-cuisson.
  - N'utilisez pas de récipients à parois droites avec des cols étroits.
  - Après avoir chauffé, laissez le récipient reposer au micro-ondes pendant une courte période avant de le retirer.
  - Soyez extrêmement prudent lorsque vous insérez une cuillère ou un autre ustensile dans le récipient.

**CONSERVEZ CES INSTRUCTIONS !**



## **CONSIGNES DE SÉCURITÉ IMPORTANTES**

### **LIRE ET SUIVRE TOUTES LES CONSIGNES DE SÉCURITÉ**

#### **PRÉCAUTIONS POUR ÉVITER UNE POSSIBLE EXPOSITION À UNE ÉNERGIE MICRO-ONDES EXCESSIVE**

- (1) N'essayez pas de faire fonctionner ce four avec la porte ouverte. Le fonctionnement à porte ouverte peut entraîner une exposition nocive à l'énergie des micro-ondes. Il est important de ne pas forcer ou altérer les verrouillages de sécurité.**
- (2) Ne placez aucun objet entre l'armoire du four et la porte et ne laissez pas de saletés ou de résidus de nettoyant s'accumuler sur les surfaces qui entrent en contact lorsque la porte est fermée.**
- (3) N'utilisez pas le four s'il est endommagé. Il est particulièrement important que la porte du four se ferme correctement et que les:**
  - (a) porte (pliée),**
  - (b) charnières et loquets (cassés ou desserrés),**
  - (c) joints de porte et surfaces d'étanchéité.**
- (4) Le four ne doit pas être réglé ou réparé par qui que ce soit, à l'exception du personnel de service dûment qualifié.**

**CONSERVEZ CES INSTRUCTIONS !**



# CONSIGNES DE SÉCURITÉ IMPORTANTES

## LIRE ET SUIVRE TOUTES LES CONSIGNES DE SÉCURITÉ

### INSTRUCTIONS DE MISE À LA TERRE

Ce micro-ondes doit être mis à la terre. En cas de court-circuit électrique, la mise à la terre réduit le risque de choc électrique en fournissant un fil d'évacuation pour le courant électrique.

Ce four à micro-ondes est équipé d'un cordon doté d'un fil de mise à la terre avec une fiche de mise à la terre. Le cordon d'alimentation doit être branché dans une prise correctement mise à la terre. Si la prise est une prise murale à 2 broches, il est de votre responsabilité de la faire remplacer par une prise murale à 3 broches correctement mise à la terre. La plaque signalétique de série indique la tension et la fréquence pour lesquelles le micro-ondes est conçu.

**ATTENTION** - Une mauvaise utilisation de la prise de terre peut entraîner un risque de choc électrique. Consultez un électricien qualifié ou un agent de service si les instructions de mise à la terre ne sont pas complètement comprises, ou s'il existe un doute quant à savoir si le four à micro-ondes est correctement mis à la terre.

S'il est nécessaire d'utiliser une rallonge, utilisez uniquement une rallonge à 3 fils dotée d'une fiche à 3 broches mise à la terre et d'une prise à 3 fentes qui accepte la fiche du four à micro-ondes. La puissance électrique indiquée sur la rallonge doit être au moins aussi élevée que la puissance électrique du four à micro-ondes. Le cordon le plus long doit être disposé de manière à ce qu'il ne tombe pas sur le plan de travail ou la table où il pourrait être tiré par des enfants ou trébucher.

**DANGER** - Risque de choc électrique : toucher certains des composants internes peut causer des blessures graves ou mortelles. Ne démontez pas ce micro-ondes.

**ATTENTION** - Risque de choc électrique : Une mauvaise utilisation de la fiche mise à la terre peut entraîner un choc électrique. Ne branchez pas le micro-ondes si la prise de terre est endommagée.

Un cordon d'alimentation court est fourni pour réduire les risques de s'emmêler ou de trébucher sur un cordon plus long.

Si le cordon d'alimentation est endommagé, il doit être remplacé par le fabricant, son agent de service ou une personne qualifiée similaire pour éviter tout danger.

Demandez à un électricien qualifié d'installer une prise de terre près du four à micro-ondes si le cordon d'alimentation est trop court.

**CONSERVEZ CES INSTRUCTIONS !**



# CONSIGNES DE SÉCURITÉ IMPORTANTES

## LIRE ET SUIVRE TOUTES LES CONSIGNES DE SÉCURITÉ

### SÉCURITÉ - LIQUIDE SURCHAUFFÉ

Les liquides peuvent être surchauffés au-delà du point d'ébullition sans sembler bouillir en raison de la tension superficielle du liquide. Des bulles visibles ne seront pas toujours présentes lorsque le liquide est retiré du micro-ondes. Cela pourrait entraîner une ébullition soudaine de liquides très chauds lorsqu'un ustensile ou un autre article tel qu'un sachet de thé est inséré dans le liquide.

Pour réduire le risque de blessure :

- Ne pas surchauffer les liquides. Ne chauffez aucun liquide plus de 2 minutes par tasse.
- Remuez les liquides avant et à mi-cuisson.
- N'utilisez pas de récipients à parois droites avec des cols étroits car cela peut provoquer une accumulation de vapeur.
- Le liquide surchauffé peut commencer à bouillir spontanément lorsqu'il est retiré du micro-ondes. Après avoir chauffé, laissez le liquide reposer au micro-ondes pendant 30 secondes avant de le retirer.
- Soyez extrêmement prudent lorsque vous insérez un ustensile ou un autre objet dans des liquides chauds.

Le contenu des biberons et des petits pots pour bébés doit être agité ou secoué et la température vérifiée avant de servir afin d'éviter les brûlures.

Ne décongelez pas les boissons surgelées, en particulier les boissons gazeuses, dans ce micro-ondes car elles pourraient exploser.

Les aliments chauds et la vapeur peuvent provoquer des brûlures. Soyez prudent lorsque vous ouvrez un récipient qui a été chauffé au micro-ondes. Dirigez l'ouverture loin des mains et du visage pour éviter les brûlures.

### SÉCURITÉ - ARC

Les arcs électriques font référence aux étincelles à l'intérieur du micro-ondes pendant son fonctionnement.

L'arc est causé par :

- Métal ou papier d'aluminium à l'intérieur du micro-ondes.
- Des serviettes en papier recyclé sont utilisées à l'intérieur du micro-ondes, car elles peuvent contenir de petits morceaux de métal.

Si un arc électrique est présent, arrêtez le fonctionnement et retirez tout essuie-tout en métal ou en papier du micro-ondes.

### INTERFÉRENCES RADIO

Ce micro-ondes génère et utilise des fréquences ISM et s'il n'est pas installé et utilisé correctement en stricte conformité avec les instructions du fabricant, il peut provoquer des interférences avec la réception radio et télévision. Il a fait l'objet d'un essai de type et s'est avéré conforme aux limites de l'équipement ISM conformément à la partie 18 des règles de la FCC, qui sont conçues pour fournir une protection raisonnable contre de telles interférences dans une installation résidentielle.

Cependant, rien ne garantit que des interférences ne se produiront pas dans des installations particulières. Si ce micro-ondes provoque des interférences avec la réception radio ou télévisée, ce qui peut être déterminé en éteignant et en rallumant l'équipement, les interférences peuvent être corrigées par une ou plusieurs des méthodes suivantes :

- Réorientez l'antenne de réception de la radio ou de la télévision.
- Éloignez le micro-ondes du récepteur.
- Branchez le micro-ondes dans une autre prise de sorte que le micro-ondes et le récepteur soient sur des circuits de dérivation différents.

Le fabricant n'est pas responsable des interférences radio ou TV causées par une modification non autorisée de ce micro-ondes. Il est de la responsabilité de l'utilisateur de corriger de telles interférences.

**CONSERVEZ CES INSTRUCTIONS !**

## INSTRUCTIONS D'INSTALLATION

### INSTALLATION

- Retirez tous les matériaux d'emballage de l'intérieur et de l'extérieur de l'appareil. Ne retirez pas la feuille de mica en carton couvrant le magnétron.
- Vérifiez si l'appareil est endommagé avant de l'utiliser, comme une porte mal alignée ou pliée, des joints d'étanchéité endommagés, des charnières ou des verrous ou des verrous de la porte défectueux ou défectueux, ou des bosses à l'intérieur de la cavité ou sur la porte. En cas de dommages à l'appareil, ne l'utilisez pas, le retourner à son point de vente ou contactez le service consommateur.
- L'appareil doit être placé sur une surface plane et stable qui peut contenir son poids et la nourriture la plus lourde susceptible d'être placée dans l'appareil.
- N'utilisez pas cet appareil lorsque de la chaleur, de l'humidité ou de l'humidité élevée sont générés.
- Ne pas nettoyer cet appareil avec ou à proximité de matériaux combustibles.
- Prévoyez un espace de 7,5 cm (3 pouces) au-dessus de l'appareil, 2,5 cm (1 pouce) à l'arrière de l'appareil et 7,5 cm (3 pouces) des deux côtés pour permettre à l'air de circuler correctement autour de l'appareil. Ne bloquez pas les orifices de ventilation de l'appareil.
- N'utilisez pas l'appareil sans le plateau en verre, le support de rouleau et l'arbre dans la position correcte.
- **AVERTISSEMENT:** N'installez pas le micro-ondes sur une table de cuisson ou un autre appareil produisant de la chaleur. S'il est installé à proximité ou au-dessus d'une source de chaleur, le micro-ondes pourrait être endommagé et la garantie annulée.

## CONSIGNES D'UTILISATION

### TECHNIQUES DE CUISSON

Pour obtenir les meilleurs résultats lors de la cuisson dans cet appareil, suivez les suggestions ci-dessous.

#### MÉLANGER

Mélanger les aliments pendant la cuisson pour répartir uniformément la chaleur. La nourriture à l'extérieur du plat absorbe plus d'énergie et chauffe plus rapidement, puis remuez de l'extérieur du plat vers le centre.

#### ARRANGEMENT

Disposez des aliments de forme inégale plus épais, des pièces plus légères vers l'extérieur du plateau tournant afin qu'ils reçoivent plus de chaleur. Pour éviter de trop cuire, placez des objets délicats vers le centre du plateau tournant.

#### TOURNANT

Faire passer les aliments au milieu de la cuisson pour exposer toutes les pièces à l'énergie des micro-ondes. Ceci est important pour les gros objets et la viande.

#### REPOS

Les aliments cuits dans un micro-ondes augmentent la chaleur interne et continuent à cuire quelques minutes après le chauffage. Laissez reposer les aliments pour terminer la cuisson, en particulier les viandes et les liquides. Tous les liquides doivent être laissés au repos pendant quelques minutes après la cuisson et doivent être secoués ou agités avant de consommer.

#### AJOUTER L'HUMIDITÉ

L'énergie des micro-ondes est attirée par les molécules d'eau. Les aliments qui sont inégaux dans la teneur en humidité doivent être couverts et laisser reposer après la cuisson pour permettre à la chaleur de se disperser uniformément. Ajoutez une petite quantité d'eau à la nourriture sèche pour l'aider à cuire.



# CONSIGNES D'UTILISATION

## GUIDE DES USTENSILES DE CUISINE

Certains ustensiles sont inappropriés pour une utilisation dans un micro-ondes. Voir ci-dessous pour plus d'informations sur les ustensiles recommandés, qui ne devraient avoir qu'une utilisation limitée et qui ne sont pas recommandés.

### RECOMMANDÉ

**Plat de brunissement à micro-ondes:** Utilisé pour brunir l'extérieur des petits produits alimentaires. Suivez les instructions fournies avec le plat brunissant.

**Enveloppement en plastique à micro-ondes:** Utilisé pour retenir la vapeur. Laissez une petite ouverture pour éviter une accumulation de vapeur. Ne placez pas directement sur les aliments.

**Bols et plats en verre et en céramique:** Utiliser pour le chauffage ou la cuisson.

**Plaques et tasses en papier:** Utilisé pour un chauffage à court terme à basse température. Ne pas utiliser de papier recyclé car ils peuvent contenir du métal et pourraient s'enflammer.

**Serviettes en papier et serviettes de table:** Utilisé pour un chauffage et un revêtement à court terme. Ils peuvent absorber l'excès d'humidité et éviter les éclaboussures. N'utilisez pas de papier recyclé car ils peuvent contenir du métal et pourraient s'enflammer.

**Papier ciré:** Utiliser comme couverture pour éviter les éclaboussures.

**Thermomètres:** Utilisez uniquement ceux qui sont étiquetés «Va au four à micro-ondes» et suivez toutes les instructions. Vérifiez la nourriture à plusieurs endroits. Les thermomètres conventionnels peuvent être utilisés une fois que les aliments ont été retirés du micro-ondes.

### USAGE LIMITÉ

**Céramique, porcelaine et les pots de grès:** Utilisez uniquement si elles sont étiquetées «Va au four à micro-ondes».

**Plastic:** Utilisez uniquement si elles sont étiquetées «Va au four à micro-ondes».

### USAGE LIMITÉ

**Céramique, porcelaine et les pots de grès:** Utilisez uniquement si elles sont étiquetées «Va au four à micro-ondes».

**Plastic:** Utilisez uniquement si elles sont étiquetées «Va au four à micro-ondes».

### NON RECOMMANDÉ

**Bocaux et bouteilles en verre:** Le verre régulier est trop fin pour être utilisé dans un micro-ondes. Il peut se briser et causer des dommages ou des blessures.

**Sacs en papier:** Ce sont des risques d'incendie et peuvent s'enflammer. La seule exception concerne les sacs à popcorn, conçus pour l'utilisation des micro-ondes.

**Plaques et tasses en styromousse:** Ceux-ci peuvent fondre et laisser un résidu malsain sur les aliments.

**Récipients en plastique et pots de nourriture:** Ils peuvent fondre et s'enflammer.

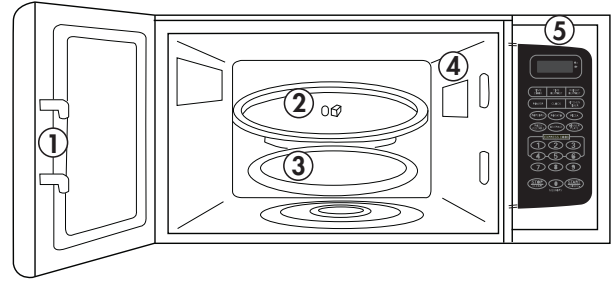
**Ustensiles en métal:** Cela peut provoquer des arcs et des dommages à l'appareil. Retirez tout le métal avant l'opération.

**Remarque:** Pour vérifier si un plat peut être utilisé sans danger au micro-ondes, placez le plat vide dans le micro-ondes et appuyez sur le bouton **depart/+30SEC** pour lancer un programme de cuisson à 100 % de puissance pendant 30 secondes. Si le plat devient très chaud, il ne doit pas être utilisé.

# CONSIGNES D'UTILISATION

## CARACTÉRISTIQUES

1. Système de verrouillage de porte
2. Plateau en verre
3. Anneau de rouleau
4. Feuille de mica (**Ne pas enlever**)
5. Panneau de contrôle



## PANNEAU DE CONTRÔLE

1. **Affichage:** montre le temps de cuisson, le niveau de puissance et l'heure de l'horloge.
2. **Temps de cuisson:** utilisé pour régler le temps de cuisson désiré.
3. **Dégivrage temps:** utilisé pour définir la fonction de dégivrage en fonction de l'heure.
4. **Dégivrage par poids:** utilisé pour régler la fonction de dégivrage en fonction du poids.
5. **Bouton de puissance:** utilisé pour sélectionner le niveau de puissance.
6. **Bouton minuterie/horloge :** utilisé pour régler la minuterie et pour régler l'heure actuelle.
7. **Menus de cuisson automatique:** réglages instantanés pour cuisiner des aliments populaires.
8. **Boutons cuisson express:** utilisé pour définir les options de cuisson express.
9. **Pavé numérique:** utilisé pour régler l'heure ou les montants.
10. **8/Muet:** Utilisé pour couper ou rétablir le son. Appuyez et maintenez 3 secondes pour couper le son, appuyez et maintenez 3 secondes pour rétablir le son.
11. **Bouton arrêt/maintien 3SEC:**
  - Utilisé pour suspendre ou annuler un programme de cuisson.
  - Appuyez et maintenez enfoncé pendant 3 secondes pour engager le verrouillage du panneau de commande / enfant.
12. **Bouton de 0/mémoire:** utilisé pour régler la fonction de mémoire.
13. **Bouton départ/+30SEC:** utilisé pour démarrer un programme de cuisson ou ajouter 30 secondes à un programme de cuisson.
14. **Porte ouverte :** Utilisé pour activer/désactiver l'interverrouillage de sécurité.



# CONSIGNES D'UTILISATION

## PREMIÈRE UTILISATION

Lorsque l'appareil est branché pour la première fois, l'affichage indique "0:00". Utilisez le pavé numérique pour entrer l'heure actuelle, puis appuyez sur le bouton d'horloge pour confirmer.

Lorsque vous réglez la minuterie de cuisson, l'appareil revient en mode veille s'il n'y a pas d'entrée dans les 60 secondes.

Pendant l'opération:

- Appuyez sur le bouton **depart/+ 30SEC** pour commencer l'opération.
- Appuyez sur le bouton **arrêt/maintien 3SEC** pour annuler le programme de cuisson.
- L'appareil émet un bip cinq fois à la fin d'un programme de cuisson.

## CUISSON À MICRO-ONDES

1. Appuyez sur le bouton **temps de cuisson**. L'affichage indique "00:00".
2. Utilisez le pavé numérique pour entrer le temps de cuisson désiré. Le temps maximum est de 99 minutes et 99 secondes.
3. Appuyez sur le bouton de **puissance** pour choisir un niveau de puissance. Le niveau de puissance par défaut est 100%. L'affichage affichera "PL10". Utilisez le pavé numérique pour entrer le niveau de puissance souhaité si 100% n'est pas nécessaire.
4. Appuyez sur le bouton **depart/+ 30SEC** pour commencer l'opération.

**Remarque:** Si "PLO" est sélectionné, le ventilateur de l'appareil fonctionnera sans fonction de cuisson. Ce niveau de puissance peut être utilisé pour éliminer les odeurs du four.

**Remarque:** Pendant la cuisson, si le niveau de puissance choisi n'est pas suffisant, appuyez sur le bouton d'alimentation. Le niveau de puissance actuel clignotera pendant trois secondes. Utilisez le pavé numérique pour choisir un nouveau niveau de puissance et l'opération se poursuivra dans le nouveau niveau de puissance.

## RÉGLAGE DE LA MINUTERIE/HORLOGE

L'horloge ne peut être réglée que sur 12 heures.

Pour régler l'heure actuelle:

1. Appuyez deux fois sur la touche **minuterie/horloge**, l'écran affiche "00:00".
2. Utilisez le pavé numérique pour entrer l'heure actuelle.
3. Appuyez sur la touche **minuterie/horloge** pour confirmer.

En cours de fonctionnement, appuyez sur la touche Horloge pour afficher l'heure actuelle.

Pour régler une minuterie:

1. Appuyez une fois sur la touche **minuterie/horloge**, l'écran affiche "00:00".
2. Utilisez le pavé numérique pour entrer la durée souhaitée pour faire fonctionner la minuterie. La durée maximale est de 99 minutes et 99 secondes.
3. Appuyez sur la touche **depart/+ 30SEC** pour lancer la minuterie.

**Remarque:** Le minuteur de cuisine est un minuteur.

## CUISINE À DEUX ÉTAGES

Certaines recettes nécessitent différentes étapes de cuisson à différentes températures. Pour définir un programme de cuisson en deux étapes:

1. Appuyez sur le bouton **temps de cuisson** et utilisez le pavé numérique pour entrer le temps de cuisson souhaité pour la première étape.
2. Appuyez sur le bouton de **puissance** et utilisez le pavé numérique pour entrer le niveau de puissance souhaité pour la première étape.
3. Appuyez sur le bouton **temps de cuisson** et utilisez le pavé numérique pour entrer le temps de cuisson désiré pour la deuxième étape.
4. Appuyez sur le bouton de **puissance** et utilisez le pavé numérique pour entrer le niveau de puissance souhaité pour la deuxième étape.
5. Appuyez sur le bouton **depart/+ 30SEC** pour commencer l'opération.

<b>Pavé numérique</b>	0	1	2	3	4	5	6	7	8	9	10
<b>Puissance de cuisson</b>	0%	10%	20%	30%	40%	50%	60%	70%	80%	90%	100%
<b>Afficher</b>	PL0	PL1	PL2	PL3	PL4	PL5	PL6	PL7	PL8	PL9	PL10

# CONSIGNES D'UTILISATION

## CUISSON AUTOMATIQUE

Les boutons de cuisson automatique peuvent être utilisés pour régler les fonctions de cuisson automatiques pour les types d'aliments ci-dessous.

### MAÏS SOUFFLÉ

1. Appuyez plusieurs fois sur le bouton **maïs soufflé** pour parcourir les options "1.75", "3.2" et "3.5". Ces nombres se rapportent à la taille du sac de maïs soufflé en onces.
2. Appuyez sur le bouton **depart/+ 30SEC** pour commencer l'opération.

### POMME DE TERRE

1. Appuyez plusieurs fois sur le bouton **pomme de terre** pour parcourir les options de "1", "2" et "3". Ces chiffres se rapportent à la taille de la portion en onces. 1 est de 8 onces, 2 est de 16 onces et 3 est de 24 onces.
2. Appuyez sur le bouton **depart/+ 30SEC** pour commencer l'opération.

### PIZZA

1. Appuyez plusieurs fois sur le bouton **pizza** pour parcourir les options "4.0", "8.0" et "14.0". Ces chiffres se rapportent à la taille de la portion en onces.
2. Appuyez sur le bouton **depart/+ 30SEC** pour commencer l'opération.

### LÉGUME CONGELÉS

1. Appuyez plusieurs fois sur le bouton **légume congelés** pour parcourir les options "4.0", "8.0" et "16.0". Ces chiffres se rapportent à la taille de la portion en onces.
2. Appuyez sur le bouton **depart/+ 30SEC** pour commencer l'opération.

### BREUVAGE

1. Appuyez plusieurs fois sur le bouton **breuvage** pour parcourir les options de "1", "2" et "3". Ces chiffres se rapportent au nombre de tasses.
2. Appuyez sur le bouton **depart/+ 30SEC** pour commencer l'opération.

### REPAS

1. Appuyez plusieurs fois sur le bouton **repas** pour parcourir les options de "9.0", "12.0" et "18.0". Ces chiffres se rapportent à la taille de la portion en onces.
2. Appuyez sur le bouton **depart/+ 30SEC** pour commencer l'opération.

## CUISSON EXPRESSE

Lorsque l'appareil n'est pas en service, appuyez sur le pavé numérique de 1 à 6 et l'appareil fonctionnera entre 1 et 6 minutes à 100% de la puissance de cuisson.

## AJOUTER 30 SECONDES

Lorsque l'appareil ne fonctionne pas, appuyez sur la touche **depart/+ 30SEC** pour faire fonctionner l'appareil pendant 30 secondes à 100% du niveau de puissance. Ce bouton peut être pressé à plusieurs reprises, chaque pression ajoutera encore 30 secondes au temps de cuisson. Le temps de cuisson maximum est de 99 minutes et 99 secondes.

# CONSIGNES D'UTILISATION

## VERROUILLAGE DE SÉCURITÉ

Le verrouillage de sécurité est un système qui empêche l'activation involontaire du four à micro-ondes et constitue une mesure de protection pour assurer la sécurité des enfants.

La mise en route d'un processus de cuisson déclenche le verrouillage de la porte, qui s'enclenche également si la porte reste déverrouillée pendant 30 minutes supplémentaires après la fin de la cuisson.

L'interverrouillage de sécurité est actif par défaut. Il ne sera désactivé que si l'utilisateur choisit de le faire manuellement. Même en cas de coupure de courant, le four conserve l'état du verrouillage de sécurité, qu'il soit activé ou désactivé.

### Déverrouiller la porte :

Appuyez sur **Porte Ouverte** pendant le fonctionnement et ouvrez la porte dans les 10 secondes, sinon le verrou de sécurité se réenclenche. La porte reste déverrouillée jusqu'à ce que la cuisson soit lancée.

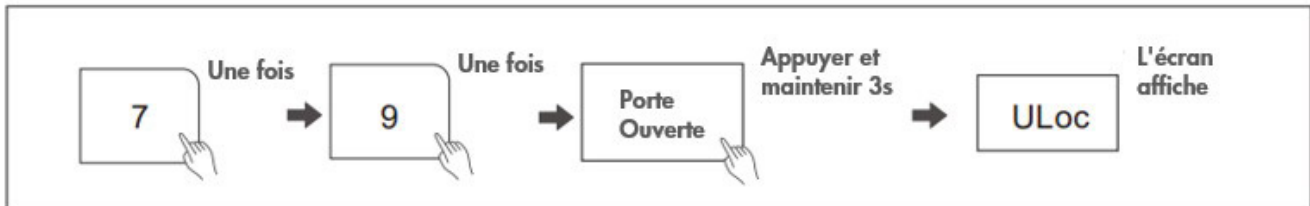
### OU

Appuyez sur **Porte Ouverte** dans les 30 minutes suivant la fin de la cuisson pour désactiver manuellement le verrouillage de la porte et passer en mode veille. Si aucune touche n'est activée, le verrouillage de sécurité se désactive automatiquement au bout de 30 minutes.

### Désactiver le verrouillage de sécurité :

S'il n'y a pas d'enfants dans la résidence, vous pouvez choisir de désactiver définitivement la fonction de verrouillage de sécurité.

Appuyez sur "7", "9" dans l'ordre consécutif, puis appuyez sur **Porte Ouverte** pendant trois secondes. Dans les 30 secondes qui suivent, l'écran affiche "ULoc", indiquant que la désactivation du verrouillage de sécurité a réussi.



### Réactiver le verrouillage de sécurité :

Appuyez sur "7", "9" dans l'ordre consécutif, puis appuyez sur **Porte Ouverte** pendant trois secondes. Dans les 30 secondes qui suivent, l'écran affiche "Loc", indiquant que la réactivation du verrouillage de sécurité a réussi.

## RÉGLAGE DU VERROUILLAGE DU PANNEAU DE COMMANDE

Pour régler le verrouillage du panneau de commande, maintenez enfoncé le bouton **arrêt/maintien 3SEC** pendant 3 secondes. Le four à micro-ondes émettra un bip pour indiquer que le verrouillage est activé. Lorsqu'il est verrouillé, le micro-ondes ne peut pas être utilisé.

Pour annuler le verrouillage du panneau de commande, maintenez enfoncé le bouton **arrêt/maintien 3SEC** pendant 3 secondes. Le four à micro-ondes émettra un bip pour indiquer que le verrouillage a été désactivé.

## CONSIGNES D'UTILISATION

### DÉGIVRAGE PAR POIDS

Le temps de dégivrage et le niveau de puissance sont réglés automatiquement lorsque le poids est entré.

1. Appuyez sur le bouton **dégivrage par poids**. L'affichage indique "dEF1".
2. Utilisez le pavé numérique pour entrer le poids de l'aliment à décongeler entre 4 et 100 oz.
3. Appuyez sur la bouton **depart/+30SEC** pour confirmer.

### DÉGIVRAGE PAR TEMPS

1. Appuyez sur le bouton **dégivrage temps**. L'affichage indique "dEF2".
2. Utilisez le pavé numérique pour entrer le temps de dégivrage souhaité. Le temps maximum est de 99 minutes et 99 secondes.
3. Le niveau de puissance par défaut est 3, 30%. L'affichage indique "PL3".
4. Pour changer le niveau de puissance, appuyez sur le bouton **puissance**, puis appuyez sur le pavé numérique pour connaître le niveau de puissance désiré.
5. Appuyez sur la bouton **depart/+ 30SEC** pour confirmer.

### MODE MUTE

En mode silencieux, le four à micro-ondes n'émet pas de signaux sonores. Le mode silencieux ne peut être activé qu'en mode veille.

Pour activer le mode silencieux, appuyez sur **8/Muet** pendant 3 secondes. Un signal sonore retentit et "OFF" s'affiche. Lorsque vous appuyez sur une touche, celle-ci n'émet aucun son.

Pour désactiver le mode muet, appuyez sur **8/Muet** pendant 3 secondes. Un bip retentit et "ON" s'affiche

### FONCTION ECO

En mode ECO, l'écran d'affichage s'éteint. La fonction ECO ne peut être activée qu'en mode veille.

Pour activer le mode ECO, assurez-vous que la porte est fermée et appuyez une fois sur la touche **arrêt/maintien 3SEC**. L'écran s'éteint.

**Remarque :** le fait d'appuyer sur n'importe quelle touche ou d'ouvrir et de fermer la porte annule la fonction ECO.

### FONCTION MÉMOIRE

La fonction mémoire permet de programmer les temps de cuisson et les pouvoirs qui peuvent être rappelés et utilisés encore et encore avec une entrée minimale. Trois programmes de mémoire peuvent être définis à la fois, ils sont étiquetés 1, 2 et 3.

Pour configurer la mémoire 1 :

1. Appuyez une fois sur le bouton **0/mémoire**. Le numéro 1 s'affiche.
2. Appuyez sur le bouton **temps de cuisson**, puis utilisez le pavé numérique pour entrer le temps de cuisson désiré.
3. Appuyez une fois sur le bouton **puissance**. Le niveau de puissance sera par défaut à 100%. "PL10" s'affiche. Pour changer le niveau de puissance, utilisez le pavé numérique pour entrer le niveau de puissance désiré.
4. Appuyez sur le bouton **depart/+ 30SEC** pour enregistrer le réglage.
5. Pour utiliser le réglage à l'avenir, appuyez une fois sur le bouton **0/mémoire** et lorsque le numéro 1 s'affiche, appuyez sur le bouton **depart/+ 30SEC** pour commencer l'opération.

Pour régler la mémoire 2 ou 3, appuyez deux fois sur trois sur le bouton **0/mémoire** jusqu'à ce que le numéro 2 ou 3 s'affiche, puis suivez les étapes ci-dessus.

**Remarque:** Si l'alimentation est perdue ou que l'appareil est débranché, les réglages de la mémoire devront être reprogrammés.

### NETTOYAGE

Éteignez et débranchez l'appareil avant de procéder à un nettoyage.

L'intérieur de l'appareil doit être nettoyé avec un chiffon chaud et humide et des détergents doux. Ne laissez pas les éclaboussures de nourriture s'accumuler à l'intérieur de l'appareil, car cela peut affecter l'efficacité du micro-ondes et, si suffisamment sale, peut s'allumer et provoquer un incendie.

L'extérieur de l'appareil doit être nettoyé avec un chiffon chaud et humide. Pour éviter d'endommager les composants internes, ne laissez aucune eau s'écouler dans les ouvertures de ventilation.

Nettoyez la porte et la fenêtre des deux côtés, les joints de la porte et les parties adjacentes souvent avec un chiffon humide pour éliminer les déversements ou les éclaboussures. Ne pas utiliser de nettoyants abrasifs.

Ne laissez pas le panneau de commande se mouiller. Si nécessaire, nettoyer le panneau de commande avec un chiffon humide, puis essuyer.

Le bac en verre peut être enlevé et nettoyé dans de l'eau tiède et un détergent doux ou peut être placé dans un lave-vaisselle.

La bague de roulement et le plancher du four doivent être nettoyés régulièrement afin d'éviter un bruit ou un renversement excessif. L'anneau à rouleaux peut être nettoyé dans de l'eau tiède et un détergent doux ou peut être placé dans un lave-vaisselle. Assurez-vous que la bague de roulement et le plateau en verre sont remplacés dans la bonne position pour éviter le bruit ou le renversement

### ENTRETIEN

Pour éliminer les odeurs du micro-ondes:

1. Mélangez une tasse d'eau avec le jus et la peau d'un citron dans un bol à micro-ondes.
2. Micro-ondes à pleine puissance pendant 5 minutes.
3. Essuyez complètement l'intérieur de l'appareil, le plateau en verre et l'anneau à rouleaux avec un chiffon chaud et humide.

### FEUILLE DE MICA

À l'intérieur de l'appareil, il y a une feuille de carton en mica protégeant le magnétron. Ne retirez pas cela de l'appareil car l'exposition du magnétron aux éclaboussures de nourriture peut provoquer un arc ou un incendie. Si elle devient sale, la feuille de mica peut être nettoyée avec un chiffon chaud.

### DISPOSITION

Ce produit ne doit pas être considéré comme un ordures ménagères, il doit être transporté vers le point de collecte approprié pour le recyclage des composants électriques. Pour plus d'informations sur les points locaux de collecte des déchets, contactez votre agence locale d'élimination des déchets ou votre bureau gouvernemental.

## DÉPANNAGE

<b>PROBLEM</b>	<b>POSSIBLE CAUSE</b>
<b>Aucune puissance</b>	<ul style="list-style-type: none"><li>• Un fusible peut être soufflé ou le disjoncteur a déclenché</li><li>• Branchement pas complètement inséré dans la prise murale</li></ul>
<b>Arracher ou étinceler pendant l'opération</b>	<ul style="list-style-type: none"><li>• Les articles métalliques ont été laissés dans l'appareil pendant l'opération</li><li>• L'appareil fonctionne alors qu'il est vide</li><li>• Les aliments renversés ont été construits à l'intérieur de l'appareil ou sur la feuille de mica</li></ul>
<b>Aliments cuits de façon inégale</b>	<ul style="list-style-type: none"><li>• La nourriture n'a pas été complètement décongelée avant de cuisiner</li><li>• Le temps de cuisson ou le niveau de puissance étaient insuffisants</li><li>• La nourriture n'a pas été tournée ou agitée pendant la cuisson</li></ul>
<b>Aliments trop cuit</b>	<ul style="list-style-type: none"><li>• Le niveau de puissance ou le temps de cuisson étaient trop élevés</li></ul>
<b>Aliments non cuits</b>	<ul style="list-style-type: none"><li>• La nourriture n'a pas été complètement décongelée avant de cuisiner</li><li>• Le temps de cuisson ou le niveau de puissance étaient insuffisants</li><li>• La nourriture n'a pas été tournée ou agitée pendant la cuisson</li><li>• Les ouvertures de ventilation sont bloquées</li></ul>
<b>Mauvaise décongélation</b>	<ul style="list-style-type: none"><li>• Le temps de dégivrage ou le niveau de puissance étaient insuffisants</li><li>• La nourriture n'a pas été tournée ou agitée pendant le dégivrage</li></ul>



## GARANTIE LIMITÉE « EN ATELIER »

Cet appareil de qualité est garanti exempt de tout vice de matière première et de fabrication, s'il est utilisé dans les conditions normales recommandées par le fabricant.

Cette garantie n'est offerte qu'à l'acheteur initial de l'appareil vendu par Danby Products Limited (Canada) ou Danby Products Inc. (É.-U.) (ci-après « Danby ») ou par l'un des ses distributeurs agréés et elle ne peut être transférée.

### CONDITIONS

Les pièces en plastique sont garanties pendant trente (30) jours seulement à partir de la date de l'achat, sans aucune prolongation prévue.

**Premiers 12 mois** Pendant les premiers **douze (12) mois**, toutes les pièces fonctionnelles de ce produit qui s'avèrent défectueuses seront réparées ou remplacées, selon le choix du garant, sans frais à l'acheteur initial.

**Pour obtenir un service** Contactez le revendeur où l'appareil a été acheté ou contactez le dépôt de service Danby autorisé le plus proche, où le service doit être effectué par un technicien de service qualifié. Si le service est effectué sur l'appareil par une personne autre qu'un dépôt de service autorisé, toutes les obligations de Danby en vertu de cette garantie seront annulées.

Il est de la responsabilité de l'acheteur de transporter l'appareil vers le dépôt de service agréé le plus proche.

Les frais de transport entre votre domicile et le lieu de l'entretien ne sont pas couverts par la présente garantie et doivent être acquittés par l'acheteur.

Aucune partie de la garantie ne prévoit implicitement que le fabricant sera tenu responsable des dommages subis par les aliments ou d'autres types de contenu, qu'ils soient causés par la défectuosité de l'appareil ou par son usage adéquat ou inadéquat.

### EXCLUSIONS

En vertu de la présente, il n'existe aucune autre garantie, condition ou représentation, qu'elle soit exprimée ou tacite, de façon manifeste ou intentionnelle, par Danby ou ses distributeurs agréés. De même, sont exclues toutes les autres garanties, conditions ou représentations, y compris les garanties, conditions ou représentations en vertu de toute loi régissant la vente de produits ou de toute autre législation ou règlement semblable. **En vertu de la présente, Danby ne peut être tenue responsable en cas de blessures corporelles ou de dégâts matériels, y compris à l'appareil, quelle qu'en soit la cause. Danby ne peut pas être tenue responsable des dommages indirects dus au fonctionnement défectueux de l'appareil. En achetant l'appareil, l'acheteur accepte de tenir sans reproche et de dégager Danby de toute responsabilité en cas de réclamation pour toute blessure corporelle ou tout dégât matériel causé par cet appareil.**

### CONDITIONS GÉNÉRALES

La garantie ou assurance ci-dessus ne s'applique pas si les dégâts ou réparations sont dus aux cas suivants :

- 1) Panne de courant.
- 2) Dommages subis pendant le transport ou le déplacement de l'appareil.
- 3) Alimentation électrique incorrecte (tension faible, câblage défectueux, fusibles incorrects).
- 4) Accident, modification, emploi abusif ou incorrect de l'appareil tel qu'une circulation d'air inadéquate dans la pièce ou des conditions de fonctionnement anormales (température extrêmement élevée ou basse).
- 5) Utilisation dans un but commercial ou industriel (à savoir, si l'appareil n'est pas installé dans un domicile résidentiel).
- 6) Incendie, dommages causés par l'eau, le vol, la guerre, une émeute, des hostilités, ou en cas de force majeure (ouragan, inondation, etc.).
- 7) Visites d'un technicien pour expliquer le fonctionnement de l'appareil au propriétaire.
- 8) Installation inappropriée (par exemple, encastrement d'un appareil autoportant, ou utilisation extérieure d'un appareil non conçu à cet effet, y compris, mais sans s'y limiter : les garages, les patios, les porches ou ailleurs, qui ne sont pas correctement isolés ou climatisés).

La preuve de la date d'achat sera requise pour les réclamations de garantie; conserver la facture de vente. Dans le cas où un service de garantie est requis, présentez la preuve d'achat à notre dépôt de service agréé.

### Service sous garantie

En Atelier

Danby Products Limited  
PO Box 1778, Guelph, Ontario, Canada N1H 6Z9  
Téléphone : (519) 837-0920 Télécopieur : (519) 837-0449

**1-800-263-2629**  
02/18

Danby Products Inc.  
PO Box 669, Findlay, Ohio, U.S.A. 45840  
Téléphone : (419) 425-8627 Télécopieur : (419) 425-8629

# Bienvenido a la familia Danby.

Estamos orgullosos de nuestros productos de calidad y creemos en un servicio confiable. Le sugerimos que lea este manual del propietario antes de enchufar su nuevo electrodoméstico, ya que contiene información importante de funcionamiento, información de seguridad, solución de problemas y consejos de mantenimiento para garantizar la confiabilidad y longevidad de su electrodoméstico.

Tiene derecho a la cobertura de la garantía como se describe en el manual del propietario que se proporciona con su nuevo electrodoméstico.

1. Escriba la información de su aparato a continuación. **Debe conservar el comprobante de compra original para validar y recibir los servicios de garantía.**
2. Registre su producto en línea y reciba una **EXTENSIÓN DE GARANTÍA GRATUITA DE 2 MESES** después de completar una encuesta sobre el producto, en [www.danby.com/support/product-registration/](http://www.danby.com/support/product-registration/)

**Número de modelo:** \_\_\_\_\_

**Número de serie:** \_\_\_\_\_

**Fecha de compra:** \_\_\_\_\_

## Necesitas ayuda?

1. Lea el manual del propietario para obtener ayuda con la instalación, resolución de problemas y asistencia de mantenimiento.
2. Visite [www.Danby.com](http://www.Danby.com) para acceder a herramientas de autoservicio, preguntas frecuentes y mucho más buscando su número de modelo en la barra de búsqueda.
3. Para obtener el **servicio al cliente más rápido**, complete el formulario web en [www.danby.com/support](http://www.danby.com/support). Su envío irá directamente a un experto en su dispositivo en particular. Nuestros tiempos de respuesta promedio son entre 20 minutos y 2 horas, durante el horario comercial EST.
4. Llame al **1-800-263-2629**; tenga en cuenta que durante las horas pico, los tiempos de espera pueden exceder una hora.



# INSTRUCCIONES DE SEGURIDAD IMPORTANTES

## LEA Y SIGA TODAS LAS INSTRUCCIONES DE SEGURIDAD

Se deben seguir las precauciones básicas de seguridad al usar aparatos eléctricos, incluidas las siguientes:

**ADVERTENCIA** - Para reducir el riesgo de quemaduras, descargas eléctricas, incendios, lesiones a personas o exposición a energía de microondas excesiva:

1. Lea todas las instrucciones antes de usar el microondas.
2. Lea y siga las "PRECAUCIONES PARA EVITAR POSIBLE EXPOSICIÓN A ENERGÍA EXCESIVA DE MICROONDAS" específicas que se encuentran en la página 4.
3. Este microondas debe estar conectado a tierra. Conéctelo solo a un tomacorriente debidamente conectado a tierra. Consulte las "INSTRUCCIONES DE CONEXIÓN A TIERRA" que se encuentran en la página 5.
4. Instale o ubique este microondas únicamente de acuerdo con las instrucciones de instalación provistas.
5. Algunos productos, como huevos enteros y recipientes sellados, por ejemplo, frascos de vidrio cerrados, pueden explotar y no deben calentarse en este horno.
6. Utilice este microondas solo para el uso previsto como se describe en este manual. No utilice productos químicos o vapores corrosivos en este microondas. Este tipo de horno está diseñado específicamente para calentar, cocinar o secar alimentos. No está diseñado para uso industrial o de laboratorio.
7. EL CONTENIDO CALIENTE PUEDE CAUSAR QUEMADURAS GRAVES. NO PERMITA QUE LOS NIÑOS UTILICEN EL MICROONDAS. Tenga cuidado al retirar objetos calientes.
8. No utilice este microondas si tiene un cable o enchufe dañado, si no funciona correctamente o si se ha dañado o caído.
9. Este microondas debe ser reparado únicamente por personal de servicio calificado. Comuníquese con el centro de servicio autorizado más cercano para que lo examinen, reparen o ajusten.
10. No cubra ni bloquee las aberturas del microondas.

**¡GUARDA ESTAS INSTRUCCIONES!**



# INSTRUCCIONES DE SEGURIDAD IMPORTANTES

## LEA Y SIGA TODAS LAS INSTRUCCIONES DE SEGURIDAD

11. No guarde este microondas al aire libre. No use este microondas cerca del agua, por ejemplo, cerca de un fregadero de la cocina, en un sótano húmedo, cerca de una piscina o en un lugar similar.
12. No sumerja el cable de alimentación ni el enchufe en agua.
13. Mantenga el cable de alimentación alejado de superficies calientes.
14. No deje que el cable de alimentación cuelgue del borde de una mesa o mostrador.
15. Cuando limpie las superficies de la puerta y el horno que hacen contacto cuando la puerta está cerrada, use solo jabones suaves no abrasivos o detergente aplicado con una esponja o paño suave.
16. Para reducir el riesgo de incendio en la cavidad del horno:
  - No cocine demasiado los alimentos. Preste atención al microondas cuando se coloquen papel, plástico u otros materiales combustibles dentro del horno para facilitar la cocción.
  - Retire los alambres retorcidos de las bolsas de papel o plástico antes de colocar la bolsa en el horno.
  - Si el material dentro del horno se enciende, mantenga la puerta del horno cerrada, apague el horno y desconecte el cable de alimentación, o apague la energía en el panel de fusibles o disyuntores.
  - No utilice el horno con fines de almacenamiento. No deje productos de papel, utensilios de cocina o alimentos dentro del horno cuando no esté en uso.
17. Los líquidos, como el agua, el café o el té, pueden sobrecalentarse más allá del punto de ebullición sin que parezca que están hirviendo. Cuando se retira el recipiente del microondas, no siempre hay burbujas o ebullición visibles. **ESTO PODRÍA RESULTAR EN QUE LOS LÍQUIDOS MUY CALIENTES SE HIERVAN REPENTINAMENTE CUANDO EL RECIPIENTE ESTÁ MOLESTADO O SE INSERTA UN UTENSILIO EN EL LÍQUIDO.**
  - No sobrecaliente los líquidos.
  - Revuelva los líquidos antes y a la mitad del calentamiento.
  - No utilice recipientes de lados rectos con cuellos estrechos.
  - Después de calentar, deje reposar el recipiente en el microondas por un período corto de tiempo antes de sacarlo.
  - Tenga mucho cuidado al insertar una cuchara u otro utensilio en el recipiente.

**¡GUARDA ESTAS INSTRUCCIONES!**



# **INSTRUCCIONES DE SEGURIDAD IMPORTANTES**

## **LEA Y SIGA TODAS LAS INSTRUCCIONES DE SEGURIDAD**

### **PRECAUCIONES PARA EVITAR UNA POSIBLE EXPOSICIÓN A EXCESIVA ENERGÍA DE MICROONDAS**

- (1) No intente operar este horno con la puerta abierta. La operación con la puerta abierta puede resultar en una exposición dañina a la energía de microondas. Es importante no anular ni alterar los enclavamientos de seguridad.**
- (2) No coloque ningún objeto entre el gabinete del horno y la puerta ni permita que se acumule suciedad o residuos de limpiadores en las superficies que hacen contacto cuando la puerta está cerrada.**
- (3) No opere el horno si está dañado. Es particularmente importante que la puerta del horno se cierre correctamente y que no haya daños en:
  - (a) puerta (doblada),**
  - (b) bisagras y pestillos (rotos o sueltos),**
  - (c) sellos de puertas y superficies de sellado.****
- (4) El horno no debe ser ajustado ni reparado por nadie que no sea personal de servicio debidamente calificado.**

**¡GUARDA ESTAS INSTRUCCIONES!**



# INSTRUCCIONES DE SEGURIDAD IMPORTANTES

## LEA Y SIGA TODAS LAS INSTRUCCIONES DE SEGURIDAD

### INSTRUCCIONES DE PUESTA A TIERRA

Este microondas debe estar conectado a tierra. En caso de un cortocircuito eléctrico, la conexión a tierra reduce el riesgo de descarga eléctrica al proporcionar un cable de escape para la corriente eléctrica.

Este microondas está equipado con un cable que tiene un cable de conexión a tierra con un enchufe de conexión a tierra. El cable de alimentación debe estar enchufado a un tomacorriente que esté debidamente conectado a tierra. Si el tomacorriente es un tomacorriente de pared de 2 clavijas, es su responsabilidad reemplazarlo por un tomacorriente de pared de 3 clavijas debidamente conectado a tierra. La placa de clasificación de serie indica el voltaje y la frecuencia para los que está diseñado el microondas.

**ADVERTENCIA** - El uso inadecuado del enchufe con conexión a tierra puede resultar en un riesgo de descarga eléctrica. Consulte a un electricista calificado o agente de servicio si las instrucciones de conexión a tierra no se comprenden completamente, o si existen dudas sobre si el microondas está conectado a tierra correctamente.

Si es necesario usar un cable de extensión, use solo un cable de extensión de 3 hilos que tenga un enchufe de 3 clavijas con conexión a tierra y un receptáculo de 3 ranuras que acepte el enchufe del microondas. La clasificación eléctrica marcada del cable de extensión debe ser al menos tan grande como la clasificación eléctrica del microondas. El cable más largo debe colocarse de manera que no caiga sobre la encimera o la mesa donde los niños puedan tirar de él o tropezar con él.

**PELIGRO** - Peligro de descarga eléctrica: tocar algunos de los componentes internos puede causar lesiones personales graves o la muerte. No desmonte este microondas.

**ADVERTENCIA** - Peligro de descarga eléctrica: el uso inadecuado del enchufe con conexión a tierra puede provocar una descarga eléctrica. No enchufe el microondas si el enchufe con conexión a tierra está dañado.

Se proporciona un cable de alimentación corto para reducir los riesgos de enredarse o tropezarse con un cable más largo.

Si el cable de alimentación está dañado, debe ser reemplazado por el fabricante, su agente de servicio o una persona calificada similar para evitar peligros.

Solicite a un electricista calificado que instale un tomacorriente con conexión a tierra cerca del microondas si el cable de alimentación es demasiado corto.

**¡GUARDA ESTAS INSTRUCCIONES!**



# INSTRUCCIONES DE SEGURIDAD IMPORTANTES

## LEA Y SIGA TODAS LAS INSTRUCCIONES DE SEGURIDAD

### SEGURIDAD - LÍQUIDO SOBREALENTADO

Los líquidos pueden sobrecalentarse más allá del punto de ebullición sin que parezca que están hirviendo debido a la tensión superficial del líquido. No siempre habrá burbujas visibles cuando se saque el líquido del microondas. Esto puede provocar que los líquidos muy calientes hiervan repentinamente cuando se inserta un utensilio u otro elemento, como una bolsita de té, en el líquido.

Para reducir el riesgo de lesiones:

- No sobrecaliente los líquidos. No caliente ningún líquido durante más de 2 minutos por taza.
- Revuelva los líquidos antes y a la mitad del calentamiento.
- No utilice recipientes de lados rectos con cuellos estrechos, ya que esto puede provocar la acumulación de vapor.
- El líquido sobrecalentado puede comenzar a hervir espontáneamente cuando se retira del microondas. Después de calentar, deje reposar el líquido en el microondas durante 30 segundos antes de retirarlo.
- Tenga mucho cuidado al insertar un utensilio u otro artículo en líquidos calientes.

Se debe remover o agitar el contenido de los biberones de leche y de los frascos de comida para bebés y controlar la temperatura antes de servir para evitar quemaduras.

No descongele bebidas congeladas, especialmente bebidas carbonatadas, en este microondas, ya que podrían explotar.

Los alimentos calientes y el vapor pueden provocar quemaduras. Tenga cuidado al abrir cualquier recipiente que se haya calentado en el microondas. Dirija la abertura lejos de las manos y la cara para evitar quemaduras.

### SEGURIDAD - ARCO

La formación de arco se refiere a las chispas dentro del microondas mientras está en funcionamiento. El arco eléctrico es causado por:

- Metal o papel de aluminio dentro del microondas.
- Se utilizan toallas de papel recicladas dentro del microondas, ya que pueden contener pequeños trozos de metal.

Si se forman arcos eléctricos, detenga el funcionamiento y retire las toallas de papel o de metal del microondas.

### INTERFERENCIA DE RADIO

Este microondas genera y utiliza frecuencias ISM y, si no se instala y utiliza correctamente siguiendo estrictamente las instrucciones del fabricante, puede provocar interferencias en la recepción de radio y televisión. Ha sido sometido a pruebas de tipo y se ha determinado que cumple con los límites para equipos ISM de conformidad con la Parte 18 de las normas de la FCC, que están diseñadas para proporcionar una protección razonable contra dicha interferencia en una instalación residencial.

Sin embargo, no hay garantía de que no se produzcan interferencias en determinadas instalaciones. Si este microondas causa interferencia en la recepción de radio o televisión, lo cual se puede determinar encendiendo y apagando el equipo, la interferencia se puede corregir mediante uno o más de los siguientes métodos:

- Reoriente la antena receptora de radio o televisión.
- Aleje el microondas del receptor.
- Enchufe el microondas en un tomacorriente diferente para que el microondas y el receptor estén en circuitos derivados diferentes.

El fabricante no es responsable de ninguna interferencia de radio o televisión causada por modificaciones no autorizadas de este microondas. Es responsabilidad del usuario corregir dicha interferencia.

**¡GUARDA ESTAS INSTRUCCIONES!**

## INSTRUCCIONES DE INSTALACIÓN

### INSTALACIÓN

- Retire todos los materiales de embalaje del interior y del exterior del aparato. No retire la hoja de mica de cartón que cubre el magnetrón.
- Compruebe si el aparato está dañado antes de usarlo, como una puerta desalineada o doblada, sellos dañados de la puerta, bisagras o pestillos de la puerta rotos o sueltos o abolladuras dentro de la cavidad o en la puerta. Si hay algún daño en el aparato, no lo utilice, devuélvalo a su punto de compra o póngase en contacto con el consumidor.
- El aparato debe colocarse sobre una superficie plana y estable que sea capaz de sostener su peso y el alimento más pesado que pueda ser colocado en el aparato.
- No utilice este aparato donde se genere calor, humedad o humedad elevada.
- No limpie este aparato con o cerca de materiales combustibles.
- Deje 7.5 cm (3 pulgadas) de espacio sobre el aparato, 2,5 cm (1 pulgadas) en la parte posterior del aparato y 7,5 cm (3 pulgadas) en ambos lados para que el aire fluya correctamente alrededor del aparato. No bloquee las aberturas de ventilación del aparato.
- No opere el aparato sin la bandeja de vidrio, el soporte del rodillo y el eje en sus posiciones correctas.
- **ADVERTENCIA:** No instale el microondas sobre una estufa u otro electrodoméstico que produzca calor. Si se instala cerca o encima de una fuente de calor, el microondas podría dañarse y la garantía quedaría anulada.

## INSTRUCCIONES DE OPERACIÓN

### TÉCNICAS DE COCCIÓN

Para obtener los mejores resultados al cocinar en este aparato, siga las siguientes sugerencias.

#### REVOLVIENDO

Revuelva los alimentos mientras cocina para distribuir el calor uniformemente. Alimentos en el exterior de la antena absorbe más energía y se calienta más rápidamente para agitar desde el exterior del plato hacia el centro.

#### ARREGLO

Organizar los alimentos de forma irregular, más gruesos, partes más caras hacia el exterior de la plataforma giratoria para que reciban más calor. Para evitar que se quemem demasiado, coloque los artículos delicados hacia el centro de la mesa giratoria.

#### TORNEADO

Convierte los alimentos a la mitad de la cocción para exponer todas las partes a la energía de microondas. Esto es importante con los artículos grandes y la carne.

#### REPOSEN

Los alimentos cocinados en un microondas acumulan calor interno y continúan cocinando durante unos minutos después de que se detenga la calefacción. Deje que los alimentos reposen para completar la cocción, especialmente carnes y líquidos. Todos los líquidos deben dejarse reposar durante unos minutos después de la cocción y deben ser sacudidos o revueltos antes de consumirlos.

#### AÑADIR HUMEDAD

La energía de la microonda se atrae a las moléculas de agua. Los alimentos que son desiguales en el contenido de humedad deben ser cubiertos y dejar reposar después de cocinar para permitir que el calor se dispersen uniformemente. Añadir una pequeña cantidad de agua para secar los alimentos para ayudar a cocinar.



# INSTRUCCIONES DE OPERACIÓN

## GUÍA DE UTENSILIOS DE COCINA

Ciertos utensilios son inadecuados para su uso en un microondas. Vea a continuación para más información sobre qué utensilios se recomiendan, que sólo deben tener un uso limitado y que no se recomiendan.

### RECOMENDADO

**Plato para dorar en el microondas:** Se utiliza para dorar el exterior de los alimentos pequeños. Siga las instrucciones proporcionadas con el plato de dorado.

**Envoltura de plástico para microondas:** Se utiliza para retener el vapor. Deje una pequeña abertura para evitar una acumulación de vapor. No coloque directamente sobre los alimentos.

**Tazones y platos de vidrio y cerámica:** Uso para calentar o cocinar.

**Platos y tazas de papel:** Utilice para calentar a corto plazo a bajas temperaturas. No utilice papel reciclado ya que pueden contener metal y podrían encenderse.

**Toallas de papel y servilletas:** Utilizar para calefacción y cubrimiento a corto plazo. Pueden absorber el exceso de humedad y evitar salpicaduras. No utilice toallas de papel recicladas ya que pueden contener metal y podrían encenderse.

**Papel encerado:** Utilizar como tapa para evitar salpicaduras.

**Termómetros:** Utilice solamente aquellos que están etiquetados como "seguros para microondas" y siga todas las instrucciones. Compruebe la comida en varios lugares. Los termómetros convencionales se pueden utilizar una vez que los alimentos se han retirado del microondas.

### USO LIMITADO

**Cerámica, porcelana y gres:** Úselo sólo si están etiquetados como "seguros para microondas".

**El plástico:** Utilice solamente si está marcado como "seguro para microondas".

### USO LIMITADO

**Cerámica, porcelana y gres:** Úselo sólo si están etiquetados como "seguros para microondas".

**El plástico:** Utilice solamente si está marcado como "seguro para microondas".

### NO RECOMENDADO

**Tarros y botellas de vidrio:** El vidrio regular es demasiado delgado para ser utilizado en un microondas. Puede romperse y causar daños o lesiones.

**Bolsas de papel:** Estos son un peligro de incendio y podrían encenderse. La única excepción son las bolsas de palomitas de maíz, que están diseñados para uso de microondas.

**Placas y tazas de espuma de poliestireno:** Estos pueden derretirse y dejar un residuo poco saludable en los alimentos.

**Almacenamiento de plástico y contenedores de alimentos:** Estos pueden fundir y encender.

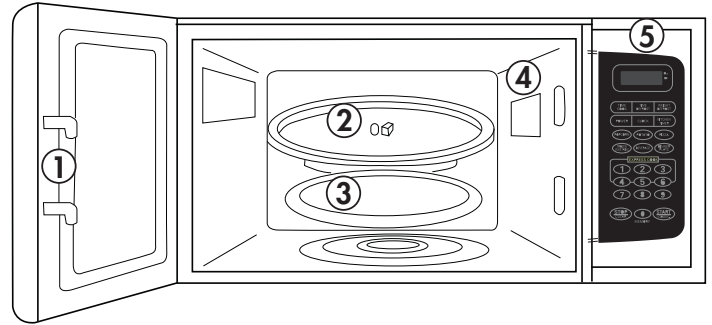
**Utensilios de metal:** Pueden producirse arcos y daños en el aparato. Retire todo el metal antes de la operación.

**Nota:** Para verificar si un plato es seguro para usar en el microondas, coloque el plato vacío en el microondas y presione el botón **inicio/+30SEC** para ejecutar un programa de cocción al 100% de potencia durante 30 segundos. Si el plato se calienta mucho, no debe usarse.

# INSTRUCCIONES DE OPERACIÓN

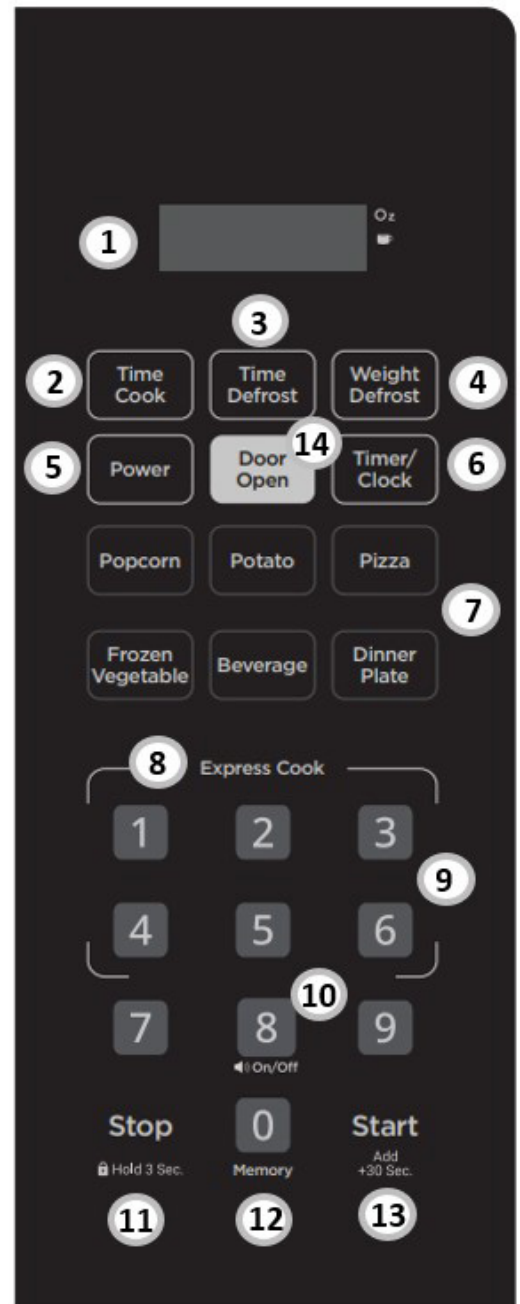
## CARACTERÍSTICAS

1. Sistema de cierre de puerta
2. Bandeja de vidrio
3. Anillo de rodillos
4. Hoja de mica (No quitar)
5. Panel de control



## PANEL DE CONTROL

1. **Pantalla de visualización:** Muestra el tiempo de cocción, el nivel de potencia y la hora del reloj.
2. **Botón de cocción programada:** Se utiliza para ajustar el tiempo de cocción deseado.
3. **Tiempo de descongelación:** Se utiliza para ajustar la función de descongelación en función del tiempo.
4. **Descongelar por peso:** Se utiliza para ajustar la función de descongelación en función del peso.
5. **Botón de encendido:** Se utiliza para seleccionar el nivel de potencia.
6. **Botón de temporizador/reloj:** Permite ajustar el temporizador y la hora actual..
7. **Menús de cocción automática:** Configuración instantánea para cocinar alimentos populares.
8. **Botones cocción express:** Se utiliza para configurar las opciones de cocción express.
9. **Botones del teclado numérico:** Se utilizan para ajustar el tiempo o las cantidades.
10. **8/Silenciar:** Sirve para silenciar o desactivar el sonido. Mantén pulsado 3 segundos para silenciar, mantén pulsado 3 segundos para anular el silencio.
11. **Parada/Retención 3SEC:**
  - Se utiliza para pausar o borrar un programa de cocción.
  - Mantenga pulsado durante 3 segundos para activar el bloqueo del panel de control.
12. **Botón de memoria:** Se utiliza para configurar la función de memoria.
13. **Botón Inicio/+30SEC :** Se utiliza para iniciar un programa de cocción o añadir 30 segundos a un programa de cocción.
14. **Puerta abierta:** Permite activar/desactivar el bloqueo de seguridad.



# INSTRUCCIONES DE OPERACIÓN

## USO PRIMERO

Cuando el aparato esté enchufado por primera vez, la pantalla mostrará "0:00". Utilice el teclado numérico para introducir la hora actual y luego pulse el botón de reloj para confirmar.

Al configurar el temporizador de cocción, el aparato volverá al modo de espera si no hay entrada en 60 segundos.

Durante la operación:

- Pulse el botón **inicio/+30SEC** para iniciar la operación.
- Pulse el botón **parada** para cancelar el programa de cocción.
- Al final de un programa de cocción, el aparato emitirá un pitido cinco veces.

## COCCIÓN DE MICROONDAS

1. Presione el botón **cocción programada**. La pantalla mostrará "00:00".
2. Utilice el teclado numérico para introducir el tiempo de cocción deseado. El tiempo máximo es de 99 minutos y 99 segundos.
3. Pulse el botón de **encendido** para seleccionar un nivel de potencia. El nivel de potencia predeterminado es 100%. La pantalla mostrará "PL10". Use el teclado numérico para ingresar el nivel de potencia deseado si no se requiere 100%.
4. Pulse el botón **inicio/+30SEC** para iniciar la operación.

**Nota:** Si se selecciona "PLO", el ventilador del aparato funcionará sin función de cocción. Este nivel de potencia se puede utilizar para eliminar olores del horno.

**Nota:** Durante la cocción, si el nivel de potencia elegido no es suficiente, presione el botón de encendido. El nivel de potencia actual parpadeará durante tres segundos. Use el teclado numérico para elegir un nuevo nivel de potencia y la operación continuará en el nuevo nivel de potencia.

## AJUSTE DEL TEMPORIZADOR/RELOJ

El reloj sólo puede ajustarse como reloj de 12 horas.

Para ajustar la hora actual:

1. Pulse dos veces el botón **temporizador/reloj**, la pantalla mostrará "00:00".
2. Utilice el teclado numérico para introducir la hora actual.
3. Pulse el botón **temporizador/reloj** para confirmar.

Durante el funcionamiento, pulse el botón **temporizador/reloj** para ver la hora actual.

Para programar un temporizador:

1. Pulse el botón **temporizador/reloj** una vez, la pantalla mostrará "00:00".
2. Utilice el teclado numérico para introducir el tiempo deseado para que funcione el temporizador. El tiempo máximo es de 99 minutos y 99 segundos.
3. Pulse el botón **Inicio/+30SEC** para iniciar el funcionamiento del temporizador.

**Nota:** El temporizador de cocina es un temporizador.

## COCINA DE DOS ETAPAS

Algunas recetas requieren diferentes etapas de cocción a diferentes temperaturas. Para establecer un programa de cocción en dos etapas:

1. Pulse el botón **cocción programada** y utilice el teclado numérico para introducir el tiempo de cocción deseado para la primera etapa.
2. Pulse el botón de **encendido** y utilice el teclado numérico para introducir el nivel de potencia deseado para la primera etapa.
3. Pulse el botón **cocción programada** y utilice el teclado numérico para introducir el tiempo de cocción deseado para la segunda etapa.
4. Pulse el botón de **encendido** y utilice el teclado numérico para introducir el nivel de potencia deseado para la segunda etapa.
5. Pulse el botón **inicio/+30SEC** para iniciar la operación.

<b>Teclado numérico</b>	0	1	2	3	4	5	6	7	8	9	10
<b>Potencia de cocinar</b>	0%	10%	20%	30%	40%	50%	60%	70%	80%	90%	100%
<b>Pantalla</b>	PL0	PL1	PL2	PL3	PL4	PL5	PL6	PL7	PL8	PL9	PL10

# INSTRUCCIONES DE OPERACIÓN

## COCCIÓN AUTOMÁTICA

Los botones de cocción automática se pueden utilizar para configurar las funciones de cocción automática para los tipos de alimentos siguientes.

### PALOMITAS DE MAIZ

1. Pulse repetidamente el botón **palomitas de maiz** para recorrer las opciones de "1.75", "3.2" y "3.5". Estos números se refieren al tamaño de la bolsa de palomitas de maíz en onzas.
2. Pulse el botón **inicio/+30SEC** para iniciar la operación.

### PATATA

1. Presione el botón de **patata** varias veces para recorrer las opciones de "1", "2" y "3". Estos números se refieren al tamaño de la porción en onzas. 1 es 8 onzas, 2 es 16 onzas y 3 es 24 onzas.
2. Pulse el botón **inicio/+30SEC** para iniciar la operación.

### PIZZA

1. Presione repetidamente el botón **pizza** para recorrer las opciones de "4.0", "8.0" y "14.0". Estos números se refieren al tamaño de la porción en onzas.
2. Pulse el botón **inicio/+30SEC** para iniciar la operación.

### VEGETAL CONGELADO

1. Pulse repetidamente el botón **vegetal congelado** para recorrer las opciones de "4.0", "8.0" y "16.0". Estos números se refieren al tamaño de la porción en onzas.
2. Pulse el botón **inicio/+30SEC** para iniciar la operación.

### BEBIDA

1. Presione repetidamente el botón **bebida** para recorrer las opciones de "1", "2" y "3". Estos números se refieren al número de copas.
2. Pulse el botón **inicio/+30SEC** para iniciar la operación.

### PLATO DE CENA

1. Presione repetidamente el botón **plato de cena** para recorrer las opciones de "9.0", "12.0" y "18.0". Estos números se refieren al tamaño de la porción en onzas.
2. Pulse el botón **inicio/+30SEC** para iniciar la operación.

## COCCIÓN EXPRESA

Cuando el aparato no esté en funcionamiento, presione el botón numérico de 1 a 6 y el aparato funcionará entre 1 y 6 minutos con una potencia de cocción del 100%.

## AÑADIR 30 SEGUNDOS

Cuando el aparato no esté en funcionamiento, al presionar el botón **inicio/+30SEC**, el aparato funcionará durante 30 segundos a un nivel de potencia del 100%. Este botón se puede pulsar varias veces, cada vez que se presione, se añadirán otros 30 segundos al tiempo de cocción. El tiempo máximo de cocción es de 99 minutos y 99 segundos.

# INSTRUCCIONES DE OPERACIÓN

## BLOQUEO DE SEGURIDAD

El Bloqueo de Seguridad es un sistema que protege contra la activación involuntaria del microondas, proporcionando una medida de protección para garantizar la seguridad de los niños.

Al iniciar un proceso de cocción se activa el bloqueo de la puerta, y también se activa si la puerta permanece desbloqueada durante 30 minutos adicionales tras la finalización de la cocción.

El bloqueo de seguridad está activo por defecto. Sólo se desactivará si el usuario decide hacerlo manualmente. Incluso en caso de pérdida de alimentación, el horno conservará el estado del bloqueo de seguridad, tanto si está activado como desactivado.

### Desbloquear la puerta:

Pulse **Puerta Abierta** durante el funcionamiento y abra la puerta antes de 10 segundos o el bloqueo de seguridad volverá a activarse. La puerta permanecerá desbloqueada hasta que se inicie la cocción.

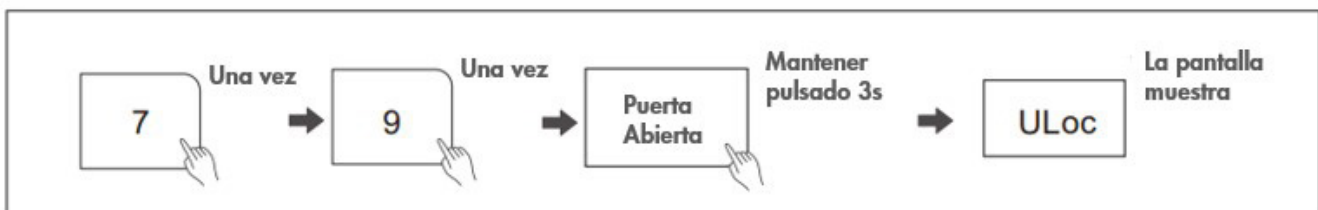
O

Pulse **Puerta Abierta** en los 30 minutos siguientes a la finalización de la cocción para desactivar manualmente el bloqueo de la puerta y pasar al modo de espera. Si no se pulsa ninguna tecla, el bloqueo de seguridad se desactivará automáticamente transcurridos 30 minutos.

### Desactive el bloqueo de seguridad:

Si no hay niños en el domicilio, puede optar por desactivar permanentemente la función de bloqueo de seguridad.

Pulse "7", "9" en orden consecutivo y, a continuación, mantenga pulsado **Puerta Abierta** durante tres segundos. En 30 segundos, la pantalla mostrará "ULoc", indicando que el bloqueo de seguridad se ha desactivado correctamente.



### Vuelva a activar el bloqueo de seguridad:

Pulse "7", "9" en orden consecutivo y, a continuación, mantenga pulsado **Puerta Abierta** durante tres segundos. En 30 segundos, la pantalla mostrará "Loc", lo que indica que el bloqueo de seguridad se ha reactivado correctamente.

## AJUSTE DEL BLOQUEO DEL PANEL DE CONTROL

Para configurar el bloqueo del panel de control, presione y mantenga presionado el botón **detener/mantener 3SEC** durante 3 segundos. El microondas emitirá un pitido para indicar que el bloqueo está activado. Mientras está bloqueado, el microondas no se puede utilizar.

Para cancelar el bloqueo del panel de control, mantenga presionado el botón **detener/mantener 3SEC** durante 3 segundos. El microondas emitirá un pitido para indicar que el bloqueo se ha desactivado.

# INSTRUCCIONES DE OPERACIÓN

## DESCONGELAMIENTO POR PESO

El tiempo de descongelación y el nivel de potencia se ajustan automáticamente una vez que se introduce el peso.

1. Pulse el botón **descongelar por peso**. La pantalla mostrará "dEF1".
2. Use el teclado numérico para ingresar el peso de los alimentos que se descongelarán entre 4 ~ 100 oz.
3. Pulse el botón **inicio/+30SEC** para confirmar.

## TIEMPO DE DESCONGELACIÓN

1. Presione el botón **tiempo de descongelación**. La pantalla mostrará "dEF2".
2. Utilice el teclado numérico para introducir el tiempo de descongelación deseado. El tiempo máximo es de 99 minutos y 99 segundos.
3. El nivel de potencia predeterminado es 3, 30%. La pantalla mostrará "PL3".
4. Para cambiar el nivel de potencia, presione el botón de **encendido** y luego presione el teclado numérico para el nivel de potencia deseado.
5. Pulse el botón **inicio/+30SEC** para confirmar.

## MODO SILENCIO

En modo silencio, el microondas no emite pitidos. El modo silencio sólo puede activarse en el modo de espera.

Para activar el modo silencio, mantenga pulsado "8" durante 3 segundos. Sonará un pitido y se mostrará "OFF". Al pulsar un botón, éste no emite ningún sonido.

Para desactivar el modo silencio, mantenga pulsado "8" durante 3 segundos. Sonará un pitido y aparecerá "ON".

## FUNCIÓN ECO

En el modo ECO, la pantalla se apagará. La función ECO sólo es posible en el modo de espera.

Para activar el modo ECO, asegúrese de que la puerta está cerrada y pulse el botón **detener/cancelar** una vez. La pantalla se apagará.

**Nota:** pulsando cualquier botón o abriendo y cerrando la puerta se cancelará la función ECO.

## MEMORIA

La función de memoria le permite programar tiempos de cocción y potencias que se pueden recuperar y utilizar con una entrada mínima. Se pueden configurar tres programas de memoria a la vez, están etiquetados como 1, 2 y 3.

Para configurar la Memoria 1:

1. Presione el botón **0/memoria** una vez. Aparecerá el número 1.
2. Presione el botón de **cocción programada** y luego use el teclado numérico para ingresar el tiempo de cocción deseado.
3. Presione el botón de encendido una vez. El nivel de potencia estará predeterminado al 100%. Aparecerá "PL10". Para cambiar el nivel de potencia, use el teclado numérico para ingresar el nivel de potencia deseado.
4. Presione el botón **inicio/+30SEC** para guardar la configuración.
5. Para usar la configuración en el futuro, presione el botón **0/memoria** una vez y cuando se muestre el número 1, presione el botón **inicio/+30SEC** para comenzar la operación.

Para configurar la memoria 2 o 3, presione el botón Memoria dos o tres veces hasta que se muestre el número 2 o 3 y luego siga los pasos anteriores.

**Nota:** Si se corta la energía o se desconecta el microondas, será necesario reprogramar la configuración de la memoria.

## CUIDADO Y MANTENIMIENTO

### LIMPIEZA

Apague y desenchufe el microondas antes de realizar cualquier limpieza.

El interior del microondas debe limpiarse con un paño húmedo y tibio y detergentes suaves. No permita que se acumulen salpicaduras de alimentos en el interior del microondas, ya que esto puede afectar la eficiencia y, si está lo suficientemente sucio, puede encenderse y provocar un incendio.

El exterior del microondas debe limpiarse con un paño húmedo y tibio. Para evitar daños a los componentes internos, no permita que gotee agua por las aberturas de ventilación.

Limpie la puerta y la ventana en ambos lados, los sellos de la puerta y las partes adyacentes con frecuencia con un paño húmedo para eliminar cualquier derrame o salpicadura. No utilice limpiadores abrasivos.

No permita que el panel de control se moje. Si es necesario, limpie el panel de control con un paño húmedo y luego séquelo.

La bandeja de vidrio se puede quitar y limpiar con agua tibia y un detergente suave o se puede colocar en un lavavajillas.

El aro giratorio y el piso del horno deben limpiarse con regularidad para evitar derrames o ruidos excesivos. El anillo giratorio se puede limpiar con agua tibia y un detergente suave o se puede colocar en un lavavajillas. Asegúrese de que el anillo giratorio y la bandeja de vidrio se vuelvan a colocar en la posición adecuada para evitar ruidos o derrames.

### MANTENIMIENTO

Para eliminar los olores del microondas:

1. Combine una taza de agua con el jugo y la piel de un limón en un tazón microwavable.
2. Cocinar a plena potencia durante 5 minutos.
3. Limpie completamente el interior del aparato y la bandeja de vidrio y el anillo de rodillos con un paño húmedo y caliente.

### HOJA DE MICA

Dentro del aparato hay una hoja de mica de cartón que protege el magnetrón. No lo quite del aparato, ya que exponer el magnetrón a las salpicaduras de alimentos puede causar arcos o incendios. Si se ensucia, la hoja de mica se puede limpiar con un paño caliente.

### DISPOSICIÓN

Este producto no debe ser tratado como un desecho doméstico ordinario, debe ser transportado al punto de recogida apropiado para el reciclaje de componentes eléctricos. Para obtener información sobre los puntos de recogida de residuos locales, póngase en contacto con la agencia local de eliminación de residuos o con la oficina gubernamental.

## SOLUCIÓN SUGERIDA

PROBLEM	POSSIBLE CAUSE
<b>Ninguna energía</b>	<ul style="list-style-type: none"> <li>• Se puede quemar un fusible o disparar el disyuntor</li> <li>• El enchufe no está completamente insertado en la toma de corriente</li> </ul>
<b>Arco o chispas durante la operación</b>	<ul style="list-style-type: none"> <li>• Se dejaron artículos metálicos en el aparato durante el funcionamiento</li> <li>• El aparato está funcionando mientras está vacío</li> <li>• Los alimentos derramados se han acumulado dentro del aparato o en la hoja de mica</li> </ul>
<b>Alimentos cocinados de forma pareja</b>	<ul style="list-style-type: none"> <li>• La comida no estaba completamente descongelada antes de cocinar</li> <li>• El tiempo de cocción o el nivel de potencia eran insuficientes</li> <li>• La comida no se dio vuelta o se removió durante la cocción</li> </ul>
<b>Alimentos sobrecocidos</b>	<ul style="list-style-type: none"> <li>• El nivel de potencia o el tiempo de cocción fueron demasiado altos</li> </ul>
<b>Alimentos poco cocidos</b>	<ul style="list-style-type: none"> <li>• La comida no estaba completamente descongelada antes de cocinar</li> <li>• El tiempo de cocción o el nivel de potencia eran insuficientes</li> <li>• La comida no se dio vuelta o se removió durante la cocción</li> <li>• Las aberturas de ventilación están bloqueadas</li> </ul>
<b>Encasa descongelación</b>	<ul style="list-style-type: none"> <li>• El tiempo de descongelación o el nivel de potencia eran insuficientes</li> <li>• Los alimentos no se revolviaron o revolviaron durante la descongelación</li> </ul>



## GARANTÍA LIMITADA "ACARREADO SOLAMENTE"

Este producto de calidad está garantizado contra defectos de fabricación, incluyendo partes y mano de obra, siempre y cuando la unidad se utilice bajo las condiciones normales de funcionamiento para las que fue diseñado.

Esta garantía está solamente disponible para la persona que haya comprado originalmente esta unidad directamente de Danby Products Limited (Canada) o Danby Products Inc. (U.S.A.) (en adelante "Danby") o uno de sus distribuidores autorizados, y no es transferible.

### CONDICIONES DE LA GARANTÍA

Las piezas plásticas, se autorizan por treinta (30) días solamente a partir de la fecha de la compra, sin las extensiones proporcionadas.

**Primeros 12 meses** Durante los primeros **doce (12) meses**, cualquier parte en buen estado de este producto que resulte defectuosa, incluyendo cualquier sistema sellado, será reparado o reemplazado, a opción del fabricante, sin cargo para el comprador original.

**Para obtener servicio** Póngase en contacto con el distribuidor donde adquirió el electrodoméstico o póngase en contacto con el centro de servicio autorizado más cercano de Danby, donde el servicio debe ser realizado por un técnico cualificado. Si el servicio es realizado por cualquier persona que no sea un depósito de servicio autorizado, todas las obligaciones de Danby bajo esta garantía serán nulas.

Es responsabilidad del comprador transportar el aparato al centro de servicio autorizado más cercano.

Los cargos de transporte desde y hacia el lugar de servicio no están protegidos por esta garantía y son responsabilidad del comprador.

Nada dentro de esta garantía implica que Danby será responsable por cualquier daño que hayan sufrido los alimentos u otros contenidos de este aparato, ya sea debido a un defecto del aparato, o su uso, adecuado o inadecuado.

### EXCLUSIONES

Salvo lo aquí indicado por Danby, no existen otras garantías, condiciones o representaciones, explícitas o implícitas, concretas o intencionales por parte de Danby o sus distribuidores autorizados y todas las demás garantías, condiciones o representaciones, incluyendo cualquier garantía, condiciones o representaciones bajo cualquier Acta de Venta de Productos o legislación o estatuto similar, quedan de esta forma expresamente excluidas. **Salvo lo aquí indicado, Danby no serán responsables por ningún daño a personas o bienes, incluyendo la propia unidad, sin importar su causa, o de ningún daño indirecto causado por el desperfecto de la unidad, y al comprar esta unidad, el comprador acepta por la presente, indemnizar y proteger a Danby contra cualquier reclamo por daños a personas o bienes causados por la unidad.**

### CONDICIONES GENERALES

No se considerará ninguna de estas garantías o seguros cuando el daño o la necesidad de reparación sea el producto de los siguientes casos:

- 1) Falla del suministro eléctrico.
- 2) Daños en tránsito o durante el transporte de la unidad.
- 3) Alimentación incorrecta, como bajo voltaje, instalación eléctrica defectuosa o fusibles inadecuados.
- 4) Accidente, modificación, abuso o uso incorrecto del artefacto, tal como insuficiente ventilación del ambiente o condiciones de operación anormales (temperatura ambiente extremadamente alta o baja).
- 5) Utilización comercial o industrial (v.g., si el electrodoméstico no está instalado en una vivienda particular).
- 6) Incendio, daños por agua, robo, guerra, disturbios, hostilidades, actos de fuerza mayor como huracanes, inundaciones, etc.
- 7) Pedidos de servicio debido a desinformación del usuario.
- 8) Instalación inadecuada (v.g., instalación de un electrodoméstico independiente o uso de un aparato al aire libre que no esté aprobado para aplicaciones en exteriores, incluyendo pero no limitado a: garajes, patios, porches o cualquier lugar que no esté bien aislado o controlado por el clima).

Se requerirá una prueba de la fecha de compra para reclamaciones de garantía; conservar las facturas de venta. En el caso de que se requiera servicio de garantía, presente el comprobante de compra a nuestro depósito de servicio autorizado.

**Servicio de Garantía**  
Acarreado Solamente

Danby Products Limited  
PO Box 1778, Guelph, Ontario, Canada N1H 6Z9  
Telephone: (519) 837-0920 FAX: (519) 837-0449

**1-800-263-2629**  
04/17

Danby Products Inc.  
PO Box 669, Findlay, Ohio, U.S.A. 45840  
Telephone: (419) 425-8627 FAX: (419) 425-8629





**Danby**<sup>®/MD</sup>  
Do the right thing.

**Danby Products Limited, Guelph, Ontario, Canada N1H 6Z9**

**Danby Products Inc. Findlay, Ohio, U.S.A. 45840**

**[www.danby.com](http://www.danby.com)**



Printed in China | Imprimé en Chine | Impreso en China