

Installation Guide

Duct Cover Extension
for Chimney Hoods

FOR INSTALLATION WITH CEILINGS FROM 9' (.24 m) TO 10' (.30 m)

IMPORTANT-PLEASE READ AND FOLLOW

- Before beginning, please read these instructions completely and carefully.
- Do not remove permanently affixed labels, warnings, or plates from the product. This may void the warranty.
- The installer should leave instructions with the consumer who should retain for local inspector's use and for future reference.

1. Measure from top of the canopy to ceiling and subtract 1/8" (.3 cm) for clearance. (See Figure 1)
2. Place the duct cover extension inside the duct cover base and lower until desired height is found (See Figure 2)
3. Use the retaining nuts and bolts to fasten in place. (See Figure 3)
4. Slide the duct cover assembly in place and fasten from inside canopy using the sheet metal screws provided.

When installing with DRK (Recirculating Kit), always install the duct cover to the DRK first. Then, attach the DRK/DUCT cover assembly to the canopy.

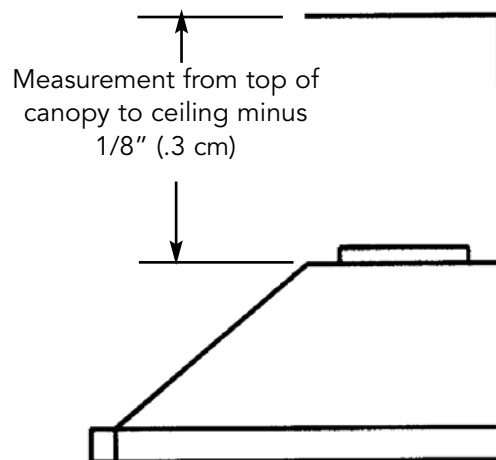


Figure 1

CAUTION: To reduce the risk of scratching the duct cover top, come down in one motion to desired height. Do not adjust the duct cover up and down.

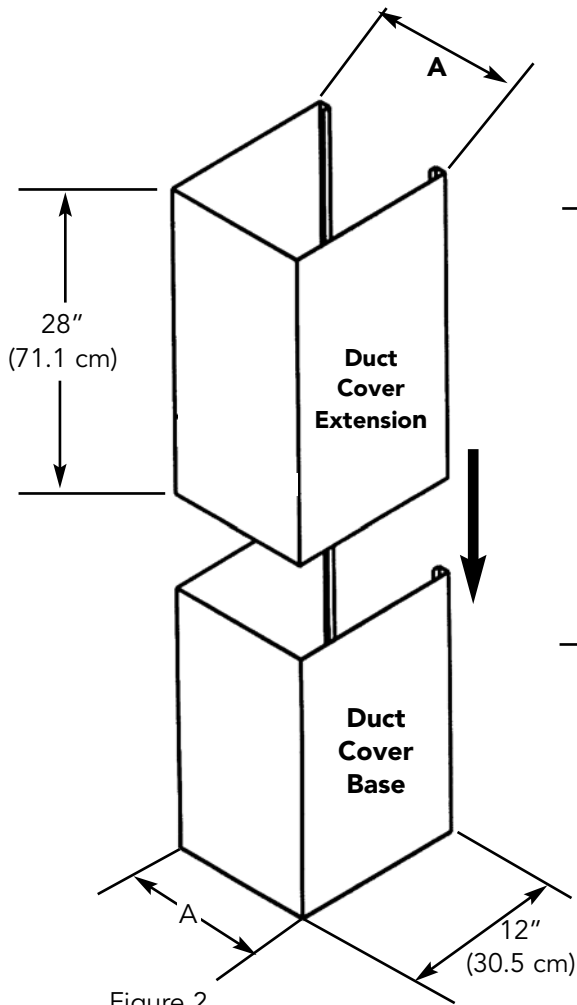


Figure 2

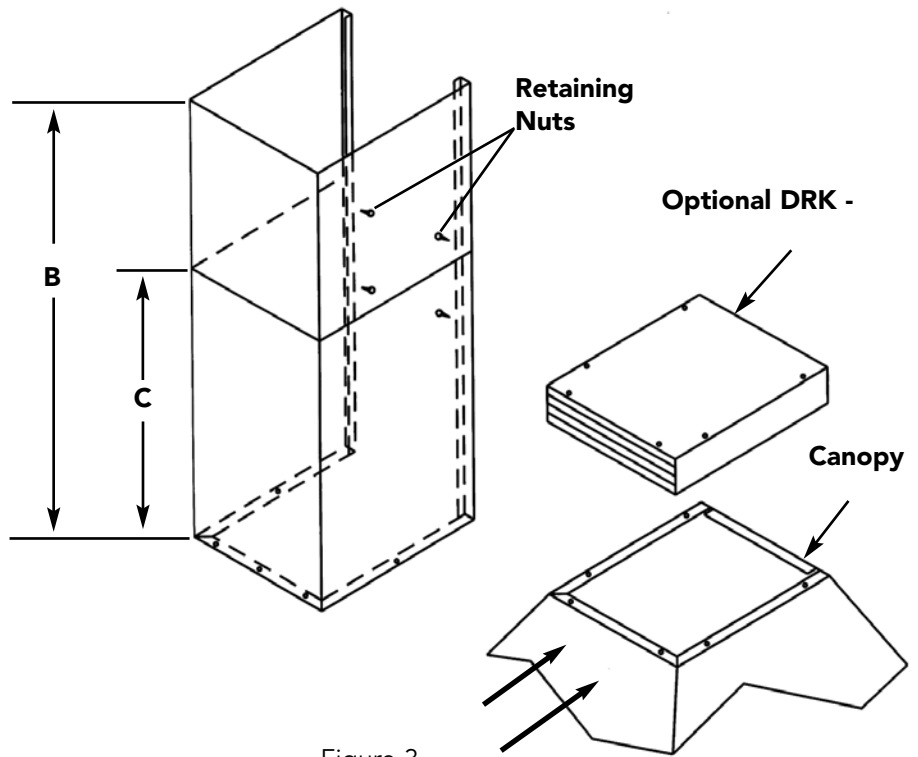


Figure 3

	A	B	C
30" W., 33" W.	10" (25.4 cm)	Min. 30" (76.2 cm) Max. 42" (106.7 cm)	18" (45.7 cm)
36" W., 39" W. 42" W., 45" W.	12" (30.5 cm)	Min. 28" (71.1 cm) Max. 40" (101.6 cm)	16" (40.6 cm)
48" W., 51" W.	18" (45.7 cm)	Min. 28" (71.1 cm) Max. 40" (101.6 cm)	16" (40.6 cm)
DCH3042/3642 (DCCE1610SS)	16" (40.6 cm)	Min. 30" (76.2 cm) Max. 42" (106.7 cm)	16" (40.6 cm)

Viking Range, LLC

111 Front Street

Greenwood, Mississippi 38930 USA

(662) 455-1200

For product information,

call 1-888-845-4641.