

Top Control, Pro Handle Dishwasher, 8 Programs, 45 dBA

DDT38530X

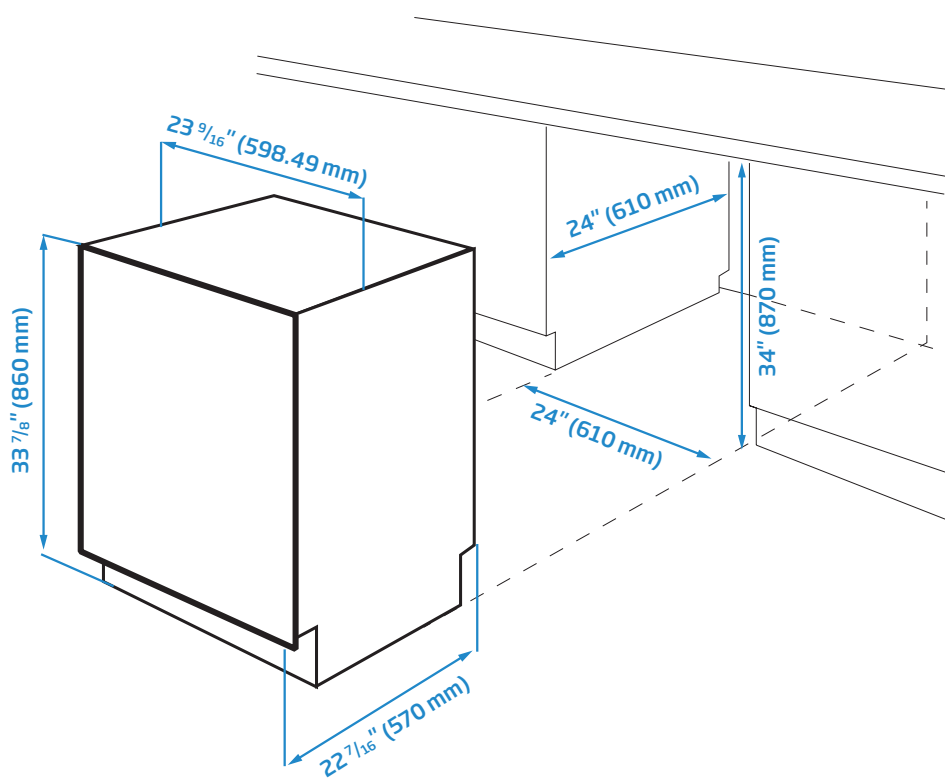


CEE Tier 1

KEY FEATURES

- AqualIntense
- SilentTech: 45 dBA
- Full Size Third Rack
- Height-adjustable Upper Rack
- Interior Illumination
- LED Spot (Light Indicator on Floor)
- 16 Place Settings
- 8 Programs
- Concealed Heating Element
- Easy Installation

GENERAL	
Control Type	LCD, 2 Rows
Position	Top Control
Finish	Fingerprint-free Stainless Steel
MAIN FEATURES	
Loading Capacity (Place Settings)	16
Tub Material	Stainless Steel
Inner Door Material	Stainless Steel
Interior Illumination	Yes
DMSF Overflow Protection	Yes
Dirt Sensor	Yes
Turbidity Sensor	Yes
Delay Timer	Yes
Drying System	Active Ventilation
ProSmart Inverter Motor	Yes
Interior High Loop with Air Gap	Yes
Detergent Dispenser Type	Yes
SilentTech	45 dBA
All-In-1 Tablet	Yes
FUNCTIONS	
1/2 Load Function	Yes
Sanitize Function	Yes
Extra Dry	Yes
Steam Gloss Function	Yes
Fast Function	Yes
AquaIntense Function	Yes
PROGRAMS	
Number of Programs	8
Heavy Plus	Yes
Auto Program	Yes
AquaFlex	Yes
Normal	Yes
Clean & Shine	Yes
Glass Care	Yes
Express	Yes
Rinse & Hold	Yes
DISPLAY	
Rinse Aid Indicator	Yes
Water Leakage Indicator	Yes
Overflow Safety	Yes
Watertap Indicator	Yes
LED Spot (Light Indicator On Floor)	Yes
RACK SYSTEM	
Full Size Third Rack	Yes
Easy Fold Lower Rack Folding Tines	4
Cutlery Basket	Standard, Full-size
Upper Rack (Inset Shelves)	4
Easy Fold Upper Rack Folding Tines	3
Height-adjustable Upper Rack	Yes, 3 Positions when Loaded
Nylon Coated Racks	Yes
ENVIRONMENTAL STANDARDS	
Energy Consumption	225 kWh/year
Water Consumption	2.32 – 5.60 gal./cycle
DIMENSIONS	
Required Cutout Dimension H x W x D	34" x 24" x 24"
Product Dims H x W x D	33 7/8" x 23 9/16" x 22 7/16" (86.1 x 59.8 x 57 cm)
Packed H x W x D	35 1/4" x 25 9/16" x 26 3/8" (89.5 x 65 x 67 cm)
Product Weight	94.6 lbs. (42.9 kg)
Packed Weight	104.5 lbs. (47.4 kg)



NOTE TO THE INSTALLER: All height, width, and depth dimensions are shown in inches (as well as metric). Beko U.S., Inc. reserves the absolute and unrestricted right to change product materials and specifications, at any time, without notice. Please visit our website, www.BekoAppliances.com, or call 888.352.2356 to verify the latest specifications with final dimensional data and other details prior to installation and making a cutout. Applicable product limited warranty information may be found in accompanying product materials, or you may contact your account manager for further details. Proper installation is the responsibility of the installer. Product failure due to improper installation is not covered under the Limited Warranty.