

dacor[®]

Use and Care
Utilisation et entretien
Usos y Cuidados

**Hood Liner
Hotte d'armoire
Campana de gabinete**

DHD**U790LS/DA

Contents

Important Information for Customer	3
Important Safety Information	4
Operations	7
Description of the hood	7
Care and Maintenance	8
Maintenance	8
Troubleshooting	10
Getting help	10
Warranty and Service	11

Important Information for Customer

Installer

Leave these instructions with the owner.

Customer

Read this manual completely before using your Hood. Save the manual for reference.

For service and warranty information, see pg. 11

If you have any questions (other than warranty questions) call Dacor customer service.

Important Safety Information

▲ WARNING

This indicates that death or serious injuries may occur as a result of non-observance of this warning.

⚠ CAUTION

This indicates that minor or moderate injuries may occur as a result of non-observance of this warning.

📄 NOTE

This indicates that damage to the appliance or property may occur as a result of non-observance of this advisory.

▲ WARNING

Use this unit only in the manner intended by the manufacturer. If you have questions, contact the manufacturer.

▲ WARNING

- When cutting or drilling into wall or ceiling, do not damage electrical wiring and other hiding utilities.
- Ducted fans must always be vented to the outdoors.

INSTALLER: LEAVE THESE INSTRUCTIONS WITH THE APPLIANCE AFTER INSTALLATION IS COMPLETE.

IMPORTANT: SAVE FOR THE LOCAL INSPECTOR'S USE.

▲ WARNING

When properly cared for, your new appliance has been designed to be safe and reliable. Read all instructions carefully before use. These precautions will reduce the risk of burns, electric shock, fire and injury to persons. When using kitchen appliances, basic safety precautions must be followed, including those in the following pages.

Proper Installation and Maintenance

▲ WARNING

Remove all the tape and packaging before using the appliance. Destroy the packaging after unpacking the appliance. Never allow children to play with packaging material. This appliance is intended for normal family household use only. It is not approved for outdoor use. Refer to the Statement of Limited Warranty in this manual. If you have any questions, contact the manufacturer.

Do not store or use corrosive chemicals, vapors, flammables, or non-food products in or near this appliance. It is specifically designed for use when heating or cooking food. The use of corrosive chemicals in heating or cleaning will damage the appliance and could result in injury.

Do not operate this appliance if it is not working properly, or if it has been damaged. Contact an authorized servicer. Do not repair or replace any part of the appliance unless specifically recommended in this manual. Refer all servicing to a factory authorized service center.

⚠ CAUTION

Grease left on filters can melt and move into the vent.

▲ WARNING

Hidden surfaces may have sharp edges. Use caution when reaching behind or under appliance.

Important Safety Information

Fire Safety

▲ WARNING

Use this appliance only for its intended use as described in this manual.

Always have a working smoke detector near the kitchen. In the event that personal clothing or hair catches fire, drop and roll immediately to extinguish flames. Have an appropriate fire extinguisher available, nearby, highly visible and easily accessible near the appliance.

Smother flames from food fires other than grease fires with baking soda. Never use water on cooking fires.

▲ WARNING

TO REDUCE THE RISK OF INJURY TO PERSONS IN THE EVENT OF A RANGE TOP GREASE FIRE OBSERVE THE FOLLOWING:*

- Smother flames with a close fitting lid, cookie sheet, or metal tray, then turn off the burner. Be careful to prevent burns. If the flames do not go out immediately, evacuate and call the fire department.
- Never pick up a flaming pan – you may get burned.
- Do not use water, including dishcloths or towels – a violent steam explosion will result.
- Use an extinguisher only if:
 - a) You have a class ABC extinguisher, and you already know how to operate it.
 - b) The fire is small and contained in the area where it started.
 - c) The fire department is being called.
 - d) You can fight the fire with your back to an exit.

*Based on “Kitchen Fire Safety Tips” published by NFPA

Whenever possible, do not operate the ventilation system during a cooktop fire. However, do not reach through fire to turn it off.

READ AND SAVE THESE INSTRUCTIONS

▲ WARNING

RISK OF FIRE

Hot oil and grease catch fire fast. Never leave hot oil and grease unsupervised. Never extinguish a fire with water. Suffocate flames carefully with a lid, a fire blanket or similar.

▲ WARNING

RISK OF FIRE

Grease deposits in the filter can ignite. Clean the filter at least every two months or as frequently necessary. Never operate the appliance without the filter.

▲ WARNING

RISK OF FIRE

Grease deposits in the filter can catch fire. Never work with a naked flame near the appliance (e.g. flambéing).

Important Safety Information

▲ WARNING

RISK OF FIRE

Use only metal ductwork.

▲ WARNING

RISK OF BURNS

The accesible parts get hot during operation. Never touch hot parts. Keep children away. When children become old enough to use the appliance, it is the resposibility of the parents or legal guardians to ensure that they are instructed in safe practices by qualified persons.

Do not allow anyone to climb, stand, lean, sit or hang on any part of an appliance. This can damage the appliance or cause injury.

▲ WARNING

Be sure the entire appliance (including the filters and strip LED, if applicable) has cooled and grease has solidified before attempting to clean any part of the appliance.

Do not use steam cleaners to clean the appliance.

Proposition 65 Warnings

This product may contain a chemical known to the State of California, which can cause cancer or reproductive harm. Therefore, the packaging of your product may bear the following label as required by California:

STATE OF CALIFORNIA PROPOSITION 65 WARNING:

▲ WARNING

Cancer and reproductive harm - www.p65warnings.ca.gov

Protecting the environment

Unpack the appliance and dispose of the packaging inline with the environmental requirements.

NOTICE

Always turn appliance on when cooking to avoid condensation buildup. Condensation can lead to corrosion damage.

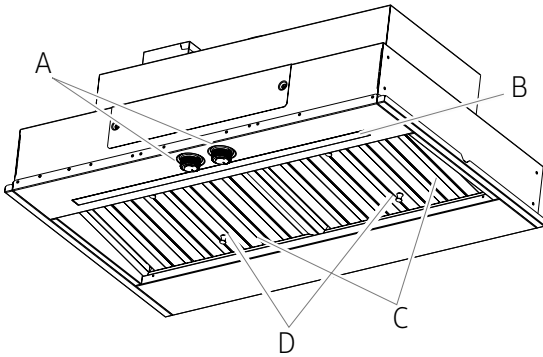
Risk of damage due to moisture entering into the electronic circuitry.

Never clean operator controls with a wet cloth. Surface damage may be caused due to incorrect cleaning. Clean stainless steel surfaces in the brushing direction only. Do not use any stainless steel cleaners for operators controls. Never use strong or abrasive cleaning agents, since they can cause surface damage.

Risk of damage from condensation back flow. Install exhaust vent at slight downward slope away from the appliance.

Operations

Description of the hood

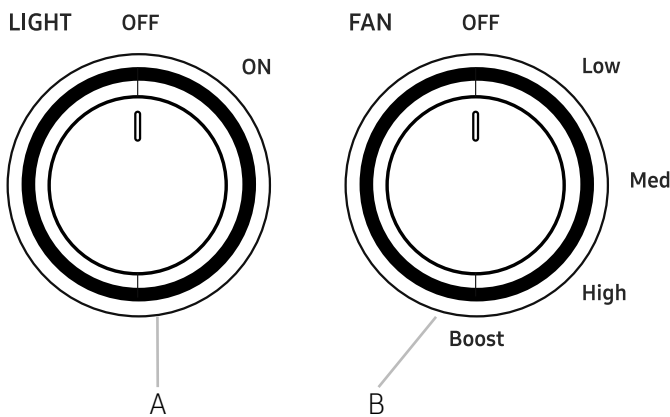


- A. Fan and light controls
- B. Strip LED
- C. Filter
- D. Filter handle

Control

The hood is designed to remove smoke, cooking vapors and odors from the cooktop area. For best results, start the hood before cooking and allow it to operate several minutes after the cooking is complete to clear all smoke and odors from the kitchen.

The hood controls are located on the center side of the hood.



- A. Light knob
- B. Fan knob

Operating the lights

1. Turn the light knob to the "ON" position to turn the hood lights On.
2. Turn the light knob to the "OFF" position to turn the hood lights Off.

Operating the fan

1. Turn the fan knob on "Low" to turn the hood on.
2. Turn the fan knob to the desired speed position.
3. Turn the fan knob to the "Boost" position to turn the hood on maximum.
4. Turn the fan knob to the "OFF" position to turn the hood fan Off.

Auto On fan

The hood is equipped with a sensor to automatically turn on the fan when excessive heat is detected in the area. This sensor will turn the fan to boost speed when necessary. When the heat decreases, the fan will be back to previous setting.

CFM reduction

When the CFM reduction wire is connected, both "High" and "Boost" will perform with "High" setting.

"High" and "Boost" settings are max. 410 CFM for single fan model and max. 810 CFM for double fan models.

Care and Maintenance

Maintenance

▲ WARNING

To avoid risk of fire and explosion do not use flammable liquids or solvents. Always unplug or disconnect the appliance from the power supply before servicing or cleaning.

Do not use steam cleaners to clean the appliance. Hidden surfaces may have sharp edges. Use caution when reaching behind or under the appliance.

▲ WARNING

RISK OF BURNS

The appliance will become hot when in use, let it cool before cleaning.

▲ WARNING

RISK OF ELECTRIC SHOCK

Moisture can cause electric shock. Only clean appliance with a damp cloth. Prior to cleaning, pull the plug or flip the breaker in the fuse box.

Cleaning agents

To prevent various surfaces from becoming damaged due to incorrect cleaning agents follow the specifications given.

Do not use:

- Cleaning agents that are harsh or abrasive
- Cleaning agents with high alcohol content
- Hard abrasive pads or sponges
- High pressure or steam cleaners

Thoroughly rinse all new sponges before use.

Exterior surfaces

To avoid damage to the exterior surface, do not use steel wool or soap-filled scouring pads to clean the hood. Always wipe dry to avoid water marks.

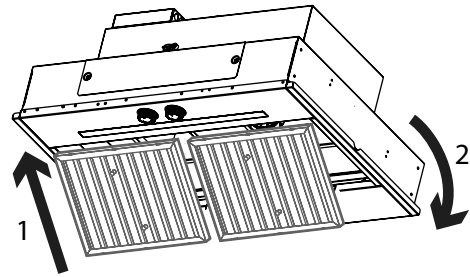
Cleaning method

- Liquid detergent soap and water or all-purpose cleanser.
- Wipe with a damp soft cloth or non-abrasive sponge, then rinse with clean water and wipe dry.
- Do not use cleaning agents containing bleach.

Care and Maintenance

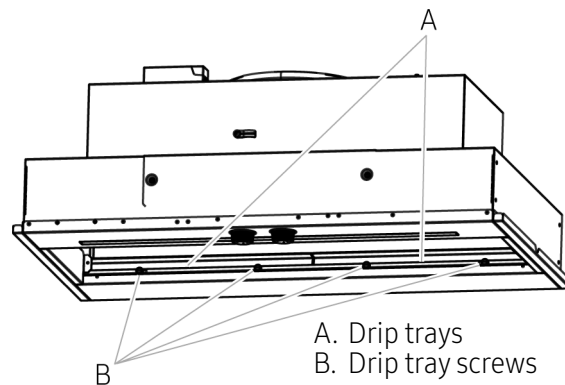
Filters and drip trays

1. Use 2 hands to remove filters. Grasp filter handles, pull toward the front of the hood and pull down on the rear handle to remove. Repeat for each filter.

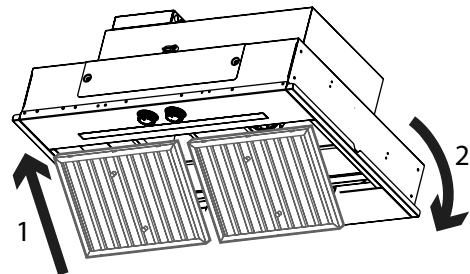


*Model shown for reference only, some features may vary

2. Untighten and remove drip tray screws and uninstall drip trays.



3. Wash filters and drip trays as needed in dishwasher or hot detergent solution to clean.
4. Place drip tray in its original position, replace and tighten drip tray screws.
5. Reinstall filters by grasping filter handles and place front edge of filter into the hood.
6. Push up on the back handle and set rear of filter into the drip tray to secure. Repeat for each filter.



Replacing strip LED

The strip LED is replaceable by a service technician only. See the support contact information in the Warranty section.

Troubleshooting

This table lists various minor problems concerning hood issues, possible causes, and solutions. If you have an issue listed in this table, try resolving the issue by applying the corresponding solution. If you cannot resolve the issue, contact Dacor (see Warranty and Service for contact info).

Problem	Cause	Solution
Nothing works (fan lights not working)	<ul style="list-style-type: none"> • Main power is OFF; Power to hood OFF • Power outage • Hood not connected to the power source 	<ul style="list-style-type: none"> • Check hood's main power; turn on power at source; check for tripped breaker or blown fuse. • Call your electric company • Connect it to power source
Light(s) not working (fan working)	<ul style="list-style-type: none"> • Strip LED burned out 	<ul style="list-style-type: none"> • Call for service
Fan not drawing heat and smoke properly	<ul style="list-style-type: none"> • Fan speed to low • Filters clogged • Damper jammed shut; ducting clogged 	<ul style="list-style-type: none"> • See Operating instructions section • Call for service • Consult qualified installation professional*
Fan not working (lights working)	<ul style="list-style-type: none"> • Fan electrical malfunction 	<ul style="list-style-type: none"> • Call for service
Fan turns on by itself	<ul style="list-style-type: none"> • Auto on feature is working 	<ul style="list-style-type: none"> • The fan will automatically turn off when the heat has cooled down
	<ul style="list-style-type: none"> • Auto on does not work as intended 	<ul style="list-style-type: none"> • Disconnect power source and call for service

*Dacor does not manufacture/warrant/service the ducting that vents heat/smoke from the hood to the outside. The owner shall have a qualified person install/maintain the ducting.

Getting help

Before requesting service:

1. Review **Troubleshooting**
2. Familiarize yourself with the hood warranty, terms and conditions
3. If none of the previous suggestions resolves your issue, call Dacor customer service.

Warranty and Service

Customer Service

Before you request help or schedule service:

1. Try the Solutions offered in the Problem—Solution table in the “Troubleshooting” section.
2. Become familiar with the warranty terms and conditions of your product.
3. If none of these tips or suggestions resolves your problem, visit dacor.com or call our Customer Service center at (833) 353-5483 (United States), (844) 509-4659 (Canada)

United States - Warranty

CERTIFICATE OF WARRANTY ON DACOR HOOD - UNITED STATES:

FULL TWO-YEAR WARRANTY

This warranty covers any defects in materials or workmanship in the Dacor-branded new appliance purchased from a Dacor Authorized Dealer or other seller authorized by Dacor.

This full warranty runs for two years starting from the date of original retail purchase receipt or closing date for new construction, whichever period is longer. Dacor will repair or replace your product.

LIMITED WARRANTY

After the Full Warranty period has ended, this product is warranted against defects in materials or workmanship reported to us during the applicable warranty periods as follows:

Cosmetic Defects. In addition, for 60 days from the date of purchase, your product is warranted to be free from cosmetic defects in material and workmanship (such as scratches of stainless steel, paint/porcelain blemishes, chip, dents, or other damage to the finish). Color variations are excluded, and display, floor-model, “as-is” or refurbished products are specifically excluded.

COVERAGE LIMITATIONS

Service will be provided by a Dacor designated service company during regular business hours. Please note service providers are independent entities and are not agents of Dacor.

The owner must provide proof-of-purchase or a closing statement for new construction upon request. All Dacor products must be accessible for service.

Warranty will be null and void on product that has altered, defaced, or missing serial numbers and tags.

Warranty is null and void if non-CSA approved product is transported from the U.S.A.

Warranty and Service

WHAT IS NOT COVERED

<ul style="list-style-type: none"> • Due to differences in painted parts, kitchen lighting, product placement, and other factors; this warranty does not apply to color variation. 	<ul style="list-style-type: none"> • Service calls to educate the customer on proper use and care of the product.
<ul style="list-style-type: none"> • Service fees for travel to islands and remote areas, which include but are not limited to, ferries, toll roads, or other travel expenses. 	<ul style="list-style-type: none"> • Consequential or incidental damage, including but not limited to: food or medicine loss, time away from work, or restaurant meals.
<ul style="list-style-type: none"> • Commercial, business, or rental use, or any application other than residential consumer use. 	<ul style="list-style-type: none"> • Failure of the product caused by improper product installation.
<ul style="list-style-type: none"> • Replacement of house fuses, fuse boxes, or resetting of circuit breakers. 	<ul style="list-style-type: none"> • Damage caused by accident, fire, flood, power interruption, power surges, or acts of God.
<ul style="list-style-type: none"> • Liability or responsibility for damage to surrounding property including cabinetry, floors, ceilings and other structures or objects. 	<ul style="list-style-type: none"> • Breakage, discoloration or damage to glass, metal surfaces, plastic components, trim, paint, or other cosmetic finish caused by improper usage, care, abuse, or neglect.
<ul style="list-style-type: none"> • Except as noted above, consumable parts such as filters and LED lamps are not covered and are the responsibility of the purchaser. 	

THE REMEDIES PROVIDED IN THE ABOVE EXPRESS WARRANTIES ARE THE SOLE AND EXCLUSIVE REMEDIES. THEREFORE, NO OTHER EXPRESS WARRANTIES ARE MADE, AND OUTSIDE THE FIFTY STATES OF THE UNITED STATES AND CANADA, ALL IMPLIED WARRANTIES, INCLUDING BUT NOT LIMITED TO, ANY IMPLIED WARRANTY OF MERCHANTABILITY OR FITNESS FOR A PARTICULAR USE OR PURPOSE, ARE LIMITED IN DURATION TO ONE YEAR FROM THE DATE OF ORIGINAL PURCHASE. IN NO EVENT SHALL DACOR BE LIABLE FOR INCIDENTAL EXPENSE OR CONSEQUENTIAL DAMAGES.

IN THE EVENT DACOR PREVAILS IN ANY LAWSUIT, DACOR SHALL BE ENTITLED TO REIMBURSEMENT OF ALL COSTS AND EXPENSES, INCLUDING ATTORNEY'S FEES, FROM THE DACOR CUSTOMER. NO WARRANTIES, EXPRESS OR IMPLIED, ARE MADE TO ANY BUYER FOR RESALE.

Some states do not allow limitations on how long an implied warranty lasts, or do not allow the exclusion or limitation of inconsequential damages, therefore the above limitations or exclusions may not apply to you. This warranty gives you specific legal rights, and you may also have other rights that vary from state-to-state.

Warrantor: Samsung Electronics America, Ridgefield Park, NJ, 07660

Warranty and Service

CANADA – Warranty

CERTIFICATE OF WARRANTY ON DACOR HOOD - CANADA:

This Limited Warranty covers only those Products supplied and distributed in Canada by us and delivered new, in the original carton or packaging, to the original consumer purchaser that are purchased from an authorized reseller or distributor, except as otherwise stated herein. Except where prohibited by applicable provincial law, only the original consumer purchaser of the Product has any rights under this Limited Warranty and this Limited Warranty may not be transferred or assigned.

Any additional statements such as dealer advertising or presentation, whether oral or written, that make additional warranties or modifications to this Limited Warranty do not constitute warranties by us and should not be relied upon.

1. WHAT IS COVERED AND FOR HOW LONG

We warrant to the original purchaser (“Purchaser”) that your Dacor Hood purchased from an authorized reseller or distributor in Canada (the “Products”) is free from defects in material and workmanship encountered in normal use for the warranty period identified below, effective as of the date of purchase or closing date for new construction, whichever period is longer.

Dacor Product or Part	Warranty Period and Warranty Coverage
Hood	Two (2) Years: Parts and Labour

Cosmetic Defects. For sixty (60) days from the date of purchase, the Product is warranted to be free from cosmetic defects in material and workmanship (such as scratches of stainless steel, paint/porcelain blemishes, chip, dents, or other damage to the finish). Color variations are excluded, and display, floor-model, “as-is” or refurbished products are specifically excluded.

2. COVERAGE LIMITATIONS

If the Product fails to operate according to the Product’s specifications during the applicable warranty period and the failure is due to improper workmanship or defective material, we will repair or replace, at our sole option, and without charge to the Purchaser, the Product or any defective component part of the Product. We may, at our sole option, use rebuilt, reconditioned, or new parts or components when repairing any Product. If the same model Product or part is not available for replacement, we may, at our sole option, replace the Product or part with any rebuilt, refurbished, reconditioned or new Product or part of similar utility and value to the Product or part being replaced.

We expressly reserve the exclusive right, at our sole option, and in lieu of any service, repair or replacement of a Product under this Limited Warranty, to offer the Purchaser a partial refund of the original purchase price paid by the Purchaser for that Product (a “Partial Refund”). The amount of any Partial Refund to be offered shall be determined in our discretion based on the fair market value of the Product given its age and condition. If Purchaser accepts that offer of a Partial Refund, the Purchaser shall be deemed to have released us from any claim or liability whatsoever under this Limited Warranty or under any other applicable express or implied warranty or condition in respect of that Product.

All repaired parts or replaced Products will be warranted for a period equal to the remainder of the original Limited Warranty on the original Product or for 90 days, whichever is longer.

Warranty and Service

3. WHAT IS NOT COVERED

The remedies provided for in this Limited Warranty are available only within Canada.

This Limited Warranty does not cover any defect, malfunction, failure or damage caused by or resulting from any of the following:

(a) removal, installation, re-installation, maintenance, or service of the Product that was not authorized by us; (b) accident, fire, flood, power interruption, power surges, incorrect line voltage or supply or electrical current, fuses, house wiring, circuit breakers, connectors not supplied by us, unusual electrical or electromechanical stress, acts of God, or acts of nature; (c) misuse, abuse, neglect, mishandling, misapplication, alteration or modification of the Product or any part of the Product; (d) use of the Product in conjunction with products, equipment, utilities, services, parts, supplies, accessories, applications, external wiring, connectors, or ancillary or peripheral equipment not supplied or authorized by us; (e) uses for which the Product was not intended.

Further, this Limited Warranty does not cover: (i) any Product or part from which the serial number has been removed or on which the serial number has been made illegible.

Removing the serial number on any Product or rendering it illegible on any Product will immediately void the Limited Warranty for that Product; (ii) any damage whatsoever that occurs during shipment of the Product once the Product has been accepted by the Purchaser; (iii) any damage whatsoever resulting from any failure to follow operating, maintenance or environmental instructions contained in any instruction booklet or owner's manual available in connection with the Product; (iv) service fees for travel to islands and remote areas, which include but are not limited to, ferries, toll roads, or other travel expenses; (v) replacement of house fuses, fuse boxes, or resetting of circuit breakers; (vi) liability or responsibility for damage to surrounding property including cabinetry, floors, ceilings and other structures or objects; (vii) the cost of service calls for instructions, for the correction of installation errors, for customer adjustments that are explained in the Product owner's manual, or where the Product operates according to the Product's specifications. There may be a service charge for service calls made for issues not covered under this Limited Warranty; (viii) breakage, discoloration or damage to glass, metal surfaces, plastic components, trim, paint, or other cosmetic finish caused by improper usage, care, abuse, or neglect; (ix) except as noted above, consumable parts such as filters and light bulbs are not covered and are the responsibility of the Purchaser; (x) commercial, business, or rental use, or any application other than residential consumer use; (xi) colour variation due to differences in painted parts, kitchen lighting, product placement, and other factors;

We do not warrant or guarantee uninterrupted or error-free operation of the Product.

4. WHAT ARE THE LIMITATIONS ON IN-HOME WARRANTY SERVICE?

In-home service is subject to availability, and it is not available in all areas of Canada.

In-home service will only be provided if the Product is unobstructed and easily accessible from floor level to service personnel. If repair cannot be completed during in-home service or if in-home service is not available in your area, you may be directed to deliver the Product to a Dacor Authorized Service Center for warranty service. The cost of transportation of the Product to and from a Dacor Authorized Service Centre shall be paid by the Purchaser unless we elect to provide that transportation at our discretion.

To receive in-home service, the Purchaser must first contact Dacor Customer Care for problem determination and service procedures. All in-home warranty repairs must be performed by a Dacor Authorized Service Center. Valid proof of purchase must be presented to us at the time that service is requested and before warranty services are rendered.

When in-home service is not available, the Purchaser must return the Product to a Dacor Authorized Service Center for analysis. Assistance on where to deliver the Product can be obtained by contacting our Customer Service center. The cost of transporting the Product to or from the Authorized Service Center must be paid by the Purchaser.

Warranty and Service

5. WHAT ARE THE LIMITS OF OUR LIABILITY?

EXCEPT AS EXPRESSLY SET FORTH IN THIS LIMITED WARRANTY, OUR LIABILITY IS SUBJECT TO THE FOLLOWING LIMITATIONS:

- (A) THE PURCHASER TAKES THE PRODUCT "AS IS" AND WE MAKE NO WARRANTY OR REPRESENTATION OF ANY KIND WHATSOEVER WITH RESPECT TO THE PRODUCT.
- (B) THERE ARE NO CONDITIONS, EXPRESS OR IMPLIED, STATUTORY OR OTHERWISE, WITH RESPECT TO THE PRODUCT.
- (C) IN PARTICULAR, AND WITHOUT LIMITING THE GENERALITY OF THE FOREGOING PARAGRAPHS (A) AND (B), WE MAKE NO WARRANTY, CONDITION OR REPRESENTATION AS TO ANY OF THE FOLLOWING: (i) THE MERCHANTABILITY OF THE PRODUCT OR ITS FITNESS FOR ANY PARTICULAR PURPOSE OR USE; (ii) TITLE OR NON-INFRINGEMENT; (iii) DESIGN, CONDITION, QUALITY, OR PERFORMANCE OF THE PRODUCT; (iv) THE WORKMANSHIP OF THE PRODUCT OR THE COMPONENTS CONTAINED THEREIN; (v) COMPLIANCE OF THE PRODUCT WITH THE REQUIREMENTS OF ANY LAW, RULE, SPECIFICATION OR CONTRACT PERTAINING TO THE PRODUCT.
- (D) NOTHING CONTAINED IN ANY INSTRUCTION MANUAL OR OWNER'S MANUAL SHALL BE CONSTRUED TO CREATE AN EXPRESS WARRANTY OF ANY KIND WHATSOEVER WITH RESPECT TO THE PRODUCT.

THE PROVISIONS FOUND IN PARAGRAPHS (E) AND (F) BELOW DO NOT APPLY IN CIRCUMSTANCES WHERE THIS LIMITED WARRANTY IS GOVERNED BY THE LAWS OF THE PROVINCE OF QUEBEC.

(E) ALL IMPLIED WARRANTIES AND CONDITIONS THAT MAY ARISE BY OPERATION OF LAW, INCLUDING ANY APPLICABLE IMPLIED WARRANTY OR CONDITION OF MERCHANTABILITY OR FITNESS FOR A PARTICULAR PURPOSE, ARE HEREBY LIMITED TO THE SAME DURATION OF TIME AS THIS LIMITED WARRANTY. SOME PROVINCES PROHIBIT LIMITATIONS ON HOW LONG AN IMPLIED WARRANTY LASTS, AND THE LIMITATION ON THE DURATION OF THE IMPLIED WARRANTY WILL NOT APPLY TO THE EXTENT THAT THE LIMITATION IS PROHIBITED BY APPLICABLE PROVINCIAL LAW.

(F) WE SHALL NOT BE LIABLE FOR DAMAGES OF ANY KIND (INCLUDING, WITHOUT LIMITATION, ANY INCIDENTAL, SPECIAL, CONSEQUENTIAL OR SIMILAR DAMAGES) THAT RESULT OR ARISE DIRECTLY OR INDIRECTLY FROM ANY OF THE FOLLOWING: (i) THE PURCHASE, USE, OR MISUSE OF THE PRODUCT; (ii) ANY LOSS OF USE OF THE PRODUCT OR INABILITY TO USE THE PRODUCT; (iii) ANY BREACH OF THE EXPRESS WARRANTY; (iv) ANY LOSS OF ANTICIPATED PROFITS OR BENEFITS; (v) ANY LOSS OF FOOD OR CONSUMABLES; (vi) ANY TORT (INCLUDING NEGLIGENCE OR GROSS NEGLIGENCE) OR FAULT COMMITTED BY US, ITS AGENTS OR EMPLOYEES; (vii) ANY BREACH OF CONTRACT; (viii) ANY CLAIM BROUGHT AGAINST THE PURCHASER BY ANY OTHER PARTY. SOME PROVINCES PROHIBIT THE EXCLUSION OR LIMITATION OF INCIDENTAL OR CONSEQUENTIAL DAMAGES, AND THE ABOVE EXCLUSION OF INCIDENTAL OR CONSEQUENTIAL DAMAGES WILL NOT APPLY TO THE EXTENT THAT THE EXCLUSION IS PROHIBITED BY APPLICABLE PROVINCIAL LAW.

(G) THIS WARRANTY GIVES YOU SPECIFIC LEGAL RIGHTS, AND YOU MAY ALSO HAVE OTHER RIGHTS, WHICH VARY FROM PROVINCE TO PROVINCE. THIS LIMITED WARRANTY STATES THE PURCHASER'S EXCLUSIVE REMEDY. EXCEPT WHERE PROHIBITED BY APPLICABLE PROVINCIAL LAW, THIS LIMITED WARRANTY IS NOT TRANSFERABLE WITHOUT OUR EXPRESS CONSENT.

(H) IF ANY PORTION OF THIS LIMITED WARRANTY IS HELD ILLEGAL OR UNENFORCEABLE BY REASON OF ANY LAW, SUCH PARTIAL ILLEGALITY OR UNENFORCEABILITY SHALL NOT AFFECT THE ENFORCEABILITY FOR THE REMAINDER OF THIS LIMITED WARRANTY.

If the Product is purchased from a non-authorized reseller or distributor or purchased outside of Canada, this Limited Warranty does not apply except that the above limitations specified in Sections 5(A) through 5(I) shall apply.

Warrantor in Canada: Samsung Electronics Canada Inc., Mississauga, ON, L5N 0B9 Canada

Warranty and Service

OUTSIDE THE UNITED STATES AND CANADA:

LIMITED FIRST YEAR WARRANTY

If your Dacor product fails to function within one year of the original date of purchase due to a defect in material or workmanship, Dacor will furnish a new part, F.O.B. factory to replace the defective part.

All delivery, installation, labor costs, and other service fees are the responsibility of the purchaser.

Sommaire

Informations importantes pour le client	18
Informations importantes sur la sécurité	19
Description de la hotte	22
Maintenance	23
Entretien et maintenance	23
Dépannage	25
Obtenir de l'aide	25
Garantie et Service	26

Informations importantes pour le client

Installateur

Laissez ces instructions au propriétaire.

Client

Lisez entièrement ce manuel avant d'utiliser votre hotte. Conservez le manuel pour vous y référer.

Pour des informations sur le service et la garantie, voir p. 26.

Si vous avez des questions (autres que celles concernant la garantie), appelez le service clientèle de Dacor.

Informations importantes sur la sécurité

▲ AVERTISSEMENT

Cela indique que le non-respect de cet avertissement peut entraîner la mort ou des blessures graves.

⚠ ATTENTION

Cela indique que des blessures mineures ou modérées peuvent survenir en cas de non-respect de cet avertissement.

📖 REMARQUE

Cela indique que le non-respect de cet avis peut entraîner des dommages à l'appareil ou à la propriété.

▲ AVERTISSEMENT

N'utilisez cet appareil que de la manière prévue par le fabricant. Si vous avez des questions, contactez le fabricant.

▲ AVERTISSEMENT

- Lorsque vous découpez ou percez un mur ou un plafond, n'endommagez pas le câblage électrique et les autres services publics cachés.
- Les ventilateurs à conduit doivent toujours être évacués vers l'extérieur.

INSTALLATEUR: LAISSEZ CES INSTRUCTIONS AVEC L'APPAREIL UNE FOIS L'INSTALLATION TERMINÉE.

IMPORTANT: GARDER POUR L'USAGE DE L'INSPECTEUR LOCAL.

▲ AVERTISSEMENT

S'il est correctement entretenu, votre nouvel appareil a été conçu pour être sûr et fiable. Lisez attentivement toutes les instructions avant de l'utiliser. Ces précautions réduiront les risques de brûlures, de chocs électriques, d'incendie et de blessures corporelles. Lors de l'utilisation d'appareils de cuisine, des précautions de sécurité de base doivent être prises, notamment celles qui figurent dans les pages suivantes.

Installation et entretien corrects

▲ AVERTISSEMENT

Retirez tout le ruban adhésif et l'emballage avant d'utiliser l'appareil. Détruisez l'emballage après avoir déballé l'appareil. Ne laissez jamais les enfants jouer avec les matériaux d'emballage. Cet appareil est destiné à un usage domestique familial normal uniquement. Il n'est pas approuvé pour une utilisation en extérieur. Reportez-vous à la déclaration de garantie limitée dans ce manuel. Si vous avez des questions, contactez le fabricant.

Ne stockez pas et n'utilisez pas de produits chimiques corrosifs, de vapeurs, de produits inflammables ou de produits non alimentaires dans ou près de cet appareil. Il est spécifiquement conçu pour être utilisé pour chauffer ou cuire des aliments. L'utilisation de produits chimiques corrosifs pour le chauffage ou le nettoyage endommagera l'appareil et pourrait entraîner des blessures.

N'utilisez pas cet appareil s'il ne fonctionne pas correctement ou s'il a été endommagé. Contactez un réparateur agréé. Ne réparez ou ne remplacez aucune pièce de l'appareil, sauf si cela est spécifiquement recommandé dans ce manuel. Confiez toutes les réparations à un centre de service agréé par l'usine.

⚠ ATTENTION

La graisse laissée sur les filtres peut fondre et passer dans l'évent.

▲ AVERTISSEMENT

Les surfaces cachées peuvent avoir des bords tranchants. Soyez prudent lorsque vous passez la main derrière ou sous l'appareil.

Informations importantes sur la sécurité

Sécurité incendie

▲ AVERTISSEMENT

Utilisez cet appareil uniquement pour l'usage auquel il est destiné, tel que décrit dans ce manuel.

Ayez toujours un détecteur de fumée en état de marche près de la cuisine. Si vos vêtements ou vos cheveux prennent feu, laissez-les tomber et roulez-les immédiatement pour éteindre les flammes. Ayez un extincteur approprié disponible, à proximité, bien visible et facilement accessible près de l'appareil.

Étouffez les flammes des feux d'aliments autres que les feux de graisse avec du bicarbonate de soude. N'utilisez jamais d'eau sur les feux de cuisson.

▲ AVERTISSEMENT

Pour réduire le risque de blessure en cas de feu de graisse sur le dessus de la cuisinière, respectez les points suivants :*

- Étouffez les flammes avec un couvercle bien ajusté, une plaque à biscuits ou un plateau métallique, puis éteignez le brûleur. Faites attention à ne pas vous brûler. Si les flammes ne s'éteignent pas immédiatement, évacuez les lieux et appelez les pompiers.
- Ne ramassez jamais une casserole enflammée - vous pourriez vous brûler.
- N'utilisez pas d'eau, ni de torchons ou de serviettes - une violente explosion de vapeur en résulterait.
- N'utilisez un extincteur que si:
 - a) Vous disposez d'un extincteur de classe ABC et vous savez déjà comment l'utiliser.
 - b) Le feu est petit et contenu dans la zone où il s'est déclaré.
 - c) Les pompiers sont appelés.
 - d) Vous pouvez combattre le feu en tournant le dos à une sortie.

*Basé sur "Kitchen Fire Safety Tips" publié par la NFPA.

Dans la mesure du possible, ne faites pas fonctionner le système de ventilation pendant un incendie de table de cuisson. Toutefois, ne passez pas la main à travers le feu pour l'éteindre.

LIRE ET DE L'ENREGISTRER CETTE L'INSTRUCTION

▲ AVERTISSEMENT

RISQUE D'INCENDIE

L'huile et la graisse chaudes s'enflamment rapidement. Ne laissez jamais l'huile et la graisse chaudes sans surveillance. N'éteignez jamais un feu avec de l'eau. Étouffez soigneusement les flammes avec un couvercle, une couverture anti-feu ou autre.

▲ AVERTISSEMENT

RISQUE D'INCENDIE

Les dépôts de graisse dans le filtre peuvent s'enflammer. Nettoyez le filtre au moins tous les deux mois ou aussi souvent que nécessaire. Ne faites jamais fonctionner l'appareil sans le filtre.

▲ AVERTISSEMENT

RISQUE D'INCENDIE

Les dépôts de graisse dans le filtre peuvent prendre feu. Ne travaillez jamais avec une flamme nue à proximité de l'appareil (par exemple, en le faisant flamber).

Informations importantes sur la sécurité

▲ AVERTISSEMENT

RISQUE D'INCENDIE

N'utilisez que des conduits métalliques.

▲ AVERTISSEMENT

RISQUE DE BRÛLURES

Les parties accessibles deviennent chaudes pendant le fonctionnement. Ne touchez jamais les parties chaudes. Tenez les enfants à l'écart. Lorsque les enfants sont en âge d'utiliser l'appareil, il est de la responsabilité des parents ou des tuteurs légaux de s'assurer qu'ils sont formés à des pratiques sûres par des personnes qualifiées.

Ne laissez personne grimper, se tenir debout, s'appuyer, s'asseoir ou s'accrocher à une partie de l'appareil. Cela peut endommager l'appareil ou causer des blessures.

▲ AVERTISSEMENT

Assurez-vous que l'ensemble de l'appareil (y compris les filtres et la bande LED, le cas échéant) a refroidi et que la graisse s'est solidifiée avant de tenter de nettoyer une partie de l'appareil.

N'utilisez pas de nettoyeur à vapeur pour nettoyer l'appareil.

Avertissements de la Proposition 65

Ce produit peut contenir un produit chimique connu de l'État de Californie, qui peut causer le cancer ou des dommages à la reproduction. Par conséquent, l'emballage de votre produit peut porter l'étiquette suivante, comme l'exige la Californie :

AVERTISSEMENT DE LA PROPOSITION 65 DE L'ÉTAT DE CALIFORNIE :

▲ AVERTISSEMENT

Cancer et troubles de la reproduction - www.p65warnings.ca.gov

Protéger l'environnement

Déballez l'appareil et éliminez l'emballage en respectant les exigences environnementales.

AVIS:

Mettez toujours l'appareil en marche lorsque vous cuisinez pour éviter l'accumulation de condensation. La condensation peut entraîner des dommages dus à la corrosion.

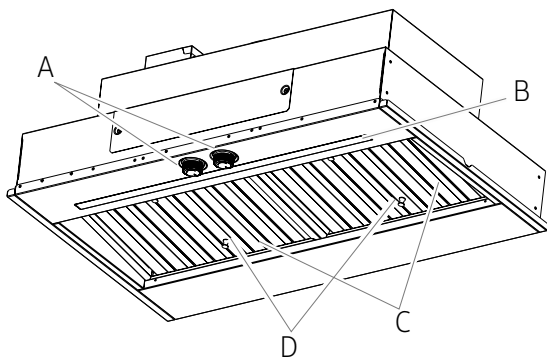
Risque de dommages dus à la pénétration d'humidité dans les circuits électroniques.

Ne nettoyez jamais les commandes avec un chiffon humide. Un nettoyage incorrect peut endommager les surfaces. Nettoyez les surfaces en acier inoxydable dans le sens du brossage uniquement. N'utilisez pas de nettoyant pour acier inoxydable pour les commandes de l'opérateur. N'utilisez jamais de produits de nettoyage forts ou abrasifs, car ils peuvent endommager la surface.

Risque de dommages dus au reflux de la condensation. Installez le conduit d'évacuation en pente légère vers le bas, loin de l'appareil.

Opérations

Description de la hotte

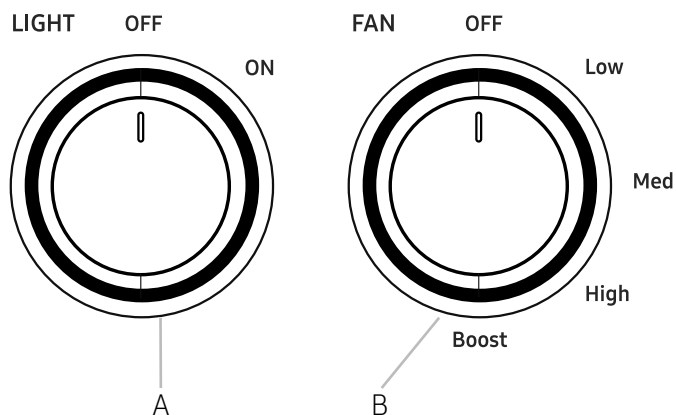


- A. Commandes de ventilateurs et de lumières
B. Bande LED
C. Filtre
D. Poignée du filtre

Contrôle

La hotte est conçue pour éliminer la fumée, les vapeurs de cuisson et les odeurs de la zone de la table de cuisson. Pour de meilleurs résultats, mettez la hotte en marche avant de cuisiner et laissez-la fonctionner plusieurs minutes après la fin de la cuisson afin d'éliminer toute la fumée et les odeurs de la cuisine.

Les commandes de la hotte sont situées sur le côté central de la hotte.



- A. Bouton de lampe
B. Bouton du ventilateur

Utilisation des lampes

1. Mettez l'interrupteur à la position "ON" pour allumer les lumières de la hotte.
2. Mettez l'interrupteur à la position "OFF" pour éteindre les lumières de la hotte.

Fonctionnement du ventilateur

1. Mettez l'interrupteur du ventilateur sur "Low" pour allumer la hotte.
2. Tournez l'interrupteur du ventilateur à la position de vitesse désirée.
3. Placez l'interrupteur du ventilateur à la position "Boost" pour allumer la hotte à haute vitesse.
4. Placez l'interrupteur du ventilateur à la position "OFF" pour éteindre le ventilateur de la hotte.

Ventilateur Auto On

La hotte est équipée d'un capteur qui met automatiquement en marche le ventilateur lorsqu'une chaleur excessive est détectée dans la zone de contrôle. Ce capteur fait passer le ventilateur à une vitesse supérieure si nécessaire. Lorsque la chaleur diminue, le ventilateur revient à sa fonction précédente.

Réduction du CFM

Lorsque le fil de réduction CFM est utilisé, les fonctions "High" et "Boost" fonctionnent avec la fonction "High".

Les fonctions "High" et "Boost" sont max. 410 CFM pour le modèle à un seul ventilateur et max. 810 CFM pour les modèles à double ventilateur.

Entretien et maintenance

Maintenance

▲ AVERTISSEMENT

Pour éviter tout risque d'incendie et d'explosion, n'utilisez pas de liquides ou de solvants inflammables. Débranchez ou déconnectez toujours l'appareil de l'alimentation électrique avant de le réparer ou de le nettoyer.

N'utilisez pas de nettoyeur à vapeur pour nettoyer l'appareil. Les surfaces cachées peuvent avoir des bords tranchants. Soyez prudent lorsque vous passez la main derrière ou sous l'appareil.

▲ AVERTISSEMENT

RISQUE DE BRÛLURES

L'appareil devient chaud lorsqu'il est utilisé, laissez-le refroidir avant de le nettoyer.

▲ AVERTISSEMENT

RISQUE DE CHOC ÉLECTRIQUE

L'humidité peut provoquer un choc électrique. Ne nettoyez l'appareil qu'avec un chiffon humide. Avant de nettoyer, débranchez la fiche ou basculez le disjoncteur dans la boîte à fusibles.

Agents de nettoyage

Pour éviter d'endommager les différentes surfaces en raison de l'utilisation de produits de nettoyage incorrects, respectez les spécifications indiquées. Ne pas utiliser :

- Les produits de nettoyage agressifs ou abrasifs
- Les produits de nettoyage à forte teneur en alcool
- Tampons ou éponges abrasifs durs
- Nettoyeurs haute pression ou à vapeur

Rincez soigneusement toutes les nouvelles éponges avant de les utiliser.

Surfaces extérieures

Pour éviter d'endommager la surface extérieure, n'utilisez pas de laine d'acier ou de tampons à récurer remplis de savon pour nettoyer le capot. Essuyez toujours à sec pour éviter les traces d'eau.

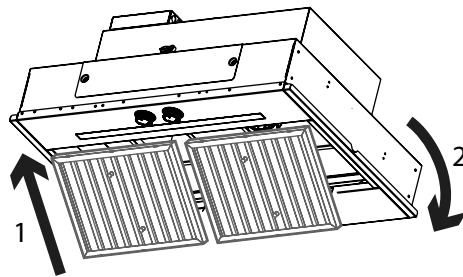
Méthode de nettoyage

- Savon liquide et eau ou nettoyant tout usage.
- Essuyez avec un chiffon doux humide ou une éponge non abrasive, puis rincez à l'eau claire et essuyez.
- N'utilisez pas de produits de nettoyage contenant de l'eau de Javel.

Entretien et maintenance

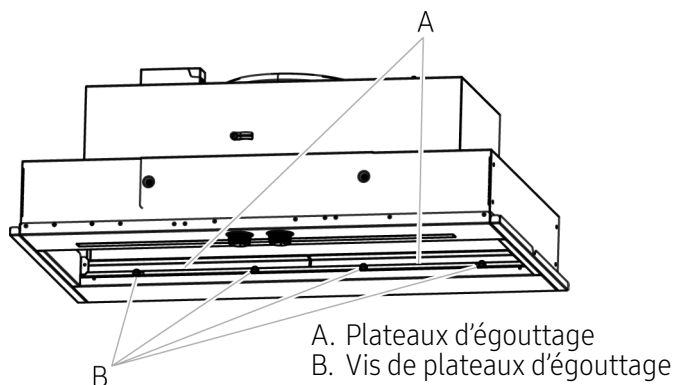
Filtres et bacs de récupération

1. Utiliser deux mains pour retirer les filtres. Saisir les poignées des filtres, les tirer vers l'avant de la hotte et tirer vers le bas sur la poignée arrière pour les retirer. Répétez l'opération pour chaque filtre.

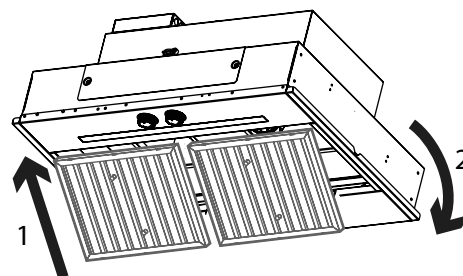


*Modèle présenté à titre de référence uniquement, certaines caractéristiques peuvent varier.

2. Desserrez et retirez les vis du plateau d'égouttage et désinstallez les plateaux d'égouttage.



3. Lavez les filtres et les plateaux d'égouttage au besoin dans le lave-vaisselle ou dans une solution détergente chaude pour les nettoyer.
4. Placez le plateau d'égouttement dans sa position d'origine, remplacez et serrez les vis du plateau d'égouttement.
5. Réinstallez les filtres en saisissant les poignées des filtres et en plaçant le bord avant du filtre dans la hotte.
6. Poussez vers le haut la poignée arrière et placez l'arrière du filtre dans le bac de récupération pour le fixer. Répétez l'opération pour chaque filtre.



Remplacement de la bande LED

La bande LED ne peut être remplacée que par un technicien de maintenance. Voir les coordonnées de l'assistance dans la section Garantie.

Dépannage

Ce tableau répertorie divers problèmes mineurs concernant les capots, les causes possibles et les solutions. Si vous rencontrez un problème répertorié dans ce tableau, essayez de le résoudre en appliquant la solution correspondante. Si vous ne pouvez pas résoudre le problème, contactez Dacor (voir Garantie et service pour les coordonnées).

Problème	Cause	Solution
Rien ne fonctionne (les lumières du ventilateur ne fonctionnent pas)	<ul style="list-style-type: none">L'interrupteur principal est éteint; l'alimentation de la hotte est coupée.Panne de courantLa hotte n'est pas connectée à la source d'alimentation	<ul style="list-style-type: none">Vérifiez l'interrupteur principal de la hotte; mettez le courant à la source; vérifiez si un disjoncteur ou un fusible a sauté.Appelez votre compagnie d'électricité.Branchez-la à la source d'alimentation
Lumière(s) ne fonctionnant pas (ventilateur fonctionnant)	<ul style="list-style-type: none">Bande LED brûlée	<ul style="list-style-type: none">Appel de service
Le ventilateur ne tire pas correctement la chaleur et la fumée	<ul style="list-style-type: none">Vitesse du ventilateur trop faibleFiltres bouchésLe volet est bloqué ; les conduits sont obstrués.	<ul style="list-style-type: none">Voir la section Instructions d'utilisationAppeler le service après-venteConsulter un professionnel de l'installation qualifié*.
Le ventilateur ne fonctionne pas (lumières fonctionnant)	<ul style="list-style-type: none">Dysfonctionnement électrique du ventilateur	<ul style="list-style-type: none">Appel de service
Le ventilateur se met en marche tout seul	<ul style="list-style-type: none">La fonction Auto on est active	<ul style="list-style-type: none">Le ventilateur s'arrête automatiquement lorsque la chaleur a refroidi.
	<ul style="list-style-type: none">Dysfonctionnement de l'Auto on	<ul style="list-style-type: none">Déconnecter la source d'alimentation et appeler le service après-vente

*Dacor ne fabrique pas, ne garantit pas et n'entretient pas les conduits qui évacuent la chaleur et la fumée de la hotte vers l'extérieur. Le propriétaire doit faire appel à une personne qualifiée pour installer/entretenir le conduit.

Obtenir de l'aide

Avant de demander un service:

1. Examiner le **Dépannage**
2. Familiarisez-vous avec la garantie, les conditions et les modalités de la hotte.
3. Si aucune des suggestions précédentes ne résout votre problème, appelez le service clientèle de Dacor.

Garantie et Service

Service client

Avant de demander de l'aide ou de programmer une réparation :

1. Essayez les solutions proposées dans le tableau de résolution des problèmes de la section «Dépannage».
2. Prenez connaissance des conditions de garantie de votre appareil.
3. Si aucun de ces conseils ou suggestions ne permet de résoudre votre problème, rendez-vous sur le site dacor.com ou appelez notre centre de service client au (833) 353-5483 (États-Unis) ou au (844) 509-4659 (Canada).

États-Unis - Garantie

CERTIFICAT DE GARANTIE POUR LE HOTTE DE CUISINE DACOR - ÉTATS-UNIS :

PLEINE GARANTIE DE DEUX ANS

La présente garantie couvre tout défaut de matière ou de fabrication sur le nouvel appareil de la marque Dacor acheté auprès d'un revendeur Dacor agréé ou d'un autre vendeur agréé par Dacor.

L'intégralité de la présente garantie s'applique pendant deux ans à compter de la date figurant sur le reçu d'achat original ou de la date de règlement pour les nouvelles constructions, quelle que soit la période la plus longue. Dacor réparera ou remplacera votre appareil.

GARANTIE LIMITÉE

Une fois toute la période de garantie écoulée, cet appareil est garanti contre les défauts de matière ou de fabrication signalés par nos soins pendant les périodes de garantie applicables, comme suit :

Défauts esthétiques. En outre, durant les 60 jours suivant la date d'achat, votre appareil est garanti comme étant exempt de défauts esthétiques de matière et de fabrication (comme des rayures sur l'acier inoxydable, un ternissement de la peinture/porcelaine, éclats, piqûres ou autres dommages sur la finition). Les variations de couleur sont exclues et les appareils de démonstration, d'atelier, « en l'état » ou rénovés sont spécifiquement exclus.

LIMITATIONS DE LA COUVERTURE

L'assistance sera fournie par une entreprise de service désignée par Dacor pendant les heures d'ouverture normales. Veuillez noter que les prestataires de service sont des entités indépendantes et ne sont pas des agents de Dacor.

Le propriétaire doit fournir un justificatif d'achat ou un relevé de clôture pour les nouvelles constructions sur demande. Tous les appareils Dacor doivent être accessibles pour pouvoir effectuer l'intervention.

La garantie sera nulle et non avenue sur les appareils altérés, déformés ou en cas d'étiquettes et de numéros de série manquants.

La garantie est nulle et non avenue si des appareils non homologués CSA sont importés des États-Unis.

Garantie et Service

CE QUE LA GARANTIE NE COUVRE PAS

<ul style="list-style-type: none">En raison des différences entre les pièces peintes, l'éclairage de la cuisine, le placement de l'appareil et d'autres facteurs ; la présente garantie ne s'applique pas aux variations de couleur.	<ul style="list-style-type: none">Les appels d'assistance pour conseiller le client sur la bonne utilisation et le bon entretien de l'appareil.
<ul style="list-style-type: none">Les frais de service concernant un transport à destination d'îles ou de zones isolées, incluant sans s'y limiter les ferrys, les autoroutes à péage ou autres frais de transport.	<ul style="list-style-type: none">Les dommages généraux ou accessoires, incluant sans s'y limiter : perte d'aliments ou de médicaments, temps hors travail, repas en restaurants.
<ul style="list-style-type: none">L'utilisation à des fins commerciales, professionnelles ou locatives, ou pour toute autre application qu'une utilisation résidentielle.	<ul style="list-style-type: none">Défaillance de l'appareil provoquée par une mauvaise installation de l'appareil.
<ul style="list-style-type: none">Remplacement des fusibles, boîtiers à fusibles ou réinitialisation des disjoncteurs.	<ul style="list-style-type: none">Les dommages causés par un accident, un incendie, une inondation, une coupure de courant, une saute de puissance ou des cas de force majeure.
<ul style="list-style-type: none">Responsabilité établie pour des dommages sur l'environnement immédiat incluant le mobilier, les sols, les plafonds et autres structures ou objets.	<ul style="list-style-type: none">Cassure, décoloration ou dommage sur le verre, les surfaces métalliques, les composants plastiques, la peinture ou les finitions causés par un(e) mauvais(e) utilisation, entretien, abus ou négligence.
<ul style="list-style-type: none">À l'exception des éléments précités, les pièces consommables, telles que les filtres et les DEL lampes, ne sont pas couvertes et sont donc sous la responsabilité de l'acheteur.	

LES SOLUTIONS FOURNIES DANS LES GARANTIES EXPRESSES CI-DESSUS CONSTITUENT LES SOLUTIONS UNIQUES ET EXCLUSIVES. AINSI, AUCUNE AUTRE GARANTIE EXPRESSE N'EST FAITE ET, EN DEHORS DES CINQUANTE ÉTATS DES ÉTATS-UNIS ET DU CANADA, TOUTE GARANTIE IMPLICITE, INCLUANT SANS POUR AUTANT S'Y LIMITER TOUTE GARANTIE IMPLICITE DE QUALITÉ MARCHANDE OU D'ADÉQUATION À DES FINS OU À UN USAGE PARTICULIERS, EST LIMITÉE À UNE DURÉE D'UN AN À COMPTER DE LA DATE ORIGINALE D'ACHAT. EN AUCUN CAS DACOR NE SERA TENUE RESPONSABLE DE FRAIS ACCESSOIRES OU DE DOMMAGES INDIRECTS. DANS LE CAS OÙ DACOR INTENTERAIT UNE ACTION EN JUSTICE, DACOR POURRA DEMANDER LE REMBOURSEMENT DE TOUS LES FRAIS ET DÉPENSES, INCLUANT LES FRAIS D'AVOCAT, AU CLIENT DACOR. AUCUNE GARANTIE, EXPRESSE OU IMPLICITE, N'EST FAITE À UN QUELCONQUE ACHETEUR POUR LA REVENTE.

Certains États n'autorisent pas les limitations de durée de garantie implicite, ou l'exclusion/la limitation des dommages négligeables. Par conséquent, il se peut que les limitations ou exclusions spécifiées

ci-dessus ne s'appliquent pas dans votre cas. La présente garantie vous confère des droits légaux spécifiques ; il est donc possible que vous bénéficiiez d'autres droits qui varieront d'un État ou d'une juridiction à un(e) autre.

Émetteur de la garantie : Samsung Electronics America, Ridgefield Park, NJ 07660

Garantie et Service

Canada - Garantie

CERTIFICAT DE GARANTIE POUR LE HOTTE DE CUISINE DACOR - CANADA :

La présente Garantie limitée couvre uniquement les Appareils fournis et distribués au Canada par nos soins et livrés neufs, dans le carton ou l'emballage d'origine à l'acheteur initial, et ayant été achetés auprès d'un revendeur ou distributeur agréé, à l'exception des conditions stipulées dans la présente. Sauf lorsque tel est interdit par la loi en vigueur dans la province, seul l'acheteur initial de l'Appareil jouit des droits octroyés dans le cadre de la présente Garantie limitée et la présente Garantie limitée n'est ni cessible ni attribuable.

Toutes les affirmations supplémentaires, telles que celles faites par le commerçant à des fins de promotion ou de présentation, qu'elles soient orales ou écrites, exprimant des garanties ou des modifications supplémentaires à la présente Garantie limitée ne constituent pas des garanties faites par nos soins et elles ne doivent pas être considérées comme fiables.

1. CE QUE LA GARANTIE COUVRE ET PÉRIODE DE GARANTIE

Nous garantissons à l'acheteur initial (« l'Acheteur ») que votre hotte de cuisine Dacor acheté auprès d'un revendeur ou distributeur agréé au Canada (les « Appareils ») est exempt de défauts de matière et de fabrication rencontrés dans le cadre d'une utilisation normale durant la période de garantie identifiée ci-dessous, entrant en vigueur à compter de la date d'achat ou de la date d'arrêt de fabrication de nouveaux modèles, la période la plus longue prévalant.

Appareil ou pièce Dacor	Période de Garantie et éléments couverts par la Garantie
Hotte de cuisine	Deux (2) ans : pièces et main-d'œuvre

Défauts esthétiques. Durant les soixante (60) jours suivant la date d'achat, l'Appareil est garanti comme étant exempt de défauts esthétiques de matière et de fabrication (comme des rayures sur l'acier inoxydable, un ternissement de la peinture/porcelaine, éclats, piqûres ou autres dommages sur la finition). Les variations de couleur sont exclues et les appareils de démonstration, d'atelier, « en l'état » ou rénovés sont spécifiquement exclus.

2. LIMITATIONS DE LA COUVERTURE

Si l'Appareil ne fonctionne pas conformément aux spécifications de l'Appareil durant la période de garantie applicable et que le dysfonctionnement est dû à un défaut de matière ou de fabrication, nous réparerons ou remplacerons, à notre entière discrétion et sans frais pour l'Acheteur, l'Appareil ou toute pièce défectueuse de l'Appareil. Nous pouvons, à notre entière discrétion, utiliser des pièces ou composants réparés, reconditionnés ou neufs lors de la réparation d'un Appareil. Si le même modèle d'Appareil ou de pièce n'est pas disponible pour procéder au remplacement, nous pouvons, à notre entière discrétion, remplacer l'Appareil ou la pièce par un Appareil ou une pièce réparé, rénové, reconditionné ou neuf ayant une fonction et une valeur similaires à celles de l'Appareil ou de la pièce à remplacer.

Nous nous réservons expressément le droit exclusif, à notre entière discrétion et à la place de toute intervention, réparation ou remplacement sur un Appareil couvert par la présente Garantie limitée, de proposer à l'Acheteur un remboursement partiel du prix d'achat initial payé par l'Acheteur pour cet Appareil (un « Remboursement partiel »). Le montant de tout Remboursement partiel à proposer devra être déterminé par nos soins selon la juste valeur marchande de l'Appareil compte tenu de son ancienneté et de son état. Si l'Acheteur accepte de bénéficier d'un Remboursement partiel, l'Acheteur devra considérer qu'il nous dégage de toute réclamation ou responsabilité quelle qu'elle soit en vertu de la présente Garantie limitée, ou en vertu de toute autre garantie ou condition expresse ou implicite applicable à l'égard de cet Appareil.

Toutes les pièces réparées ou tous les Appareils remplacés seront garantis pendant une période égale à la durée restante de la Garantie limitée initiale couvrant l'Appareil d'origine, ou pendant 90 jours, la période la plus longue prévalant.

Garantie et Service

3. CE QUE LA GARANTIE NE COUVRE PAS

Les recours disponibles dans le cadre de la présente Garantie limitée sont disponibles uniquement au sein du Canada.

La présente Garantie limitée ne couvre pas les défauts, dysfonctionnements, pannes ou dommages causés par ou résultant de l'une des causes suivantes :

(a) retrait, installation, réinstallation, maintenance ou entretien de l'Appareil n'ayant pas été autorisé(e) par nos soins ; (b) accident, incendie, inondation, coupure de courant, surtensions, tension de ligne/alimentation/intensité électrique incorrecte, utilisation de fusibles, câblages domestiques, disjoncteurs, connecteurs non fournis par nos soins, tension électrique ou électromécanique inhabituelle, cas de force majeure, catastrophes naturelles ; (c) utilisation inappropriée, utilisation abusive, négligence, manipulation inadéquate, application incorrecte, altération ou modification de l'Appareil ou de

toute pièce de l'Appareil ; (d) utilisation de l'Appareil conjointement à des appareils, équipements, charges, pièces, fournitures, accessoires, applications, câblages externes, connecteurs ou équipements auxiliaires/périphériques non fournis ou autorisés par nos soins ; (e) utilisations pour lesquelles l'Appareil n'a pas été conçu.

En outre, la présente Garantie limitée ne couvre pas : (i) tout Appareil ou toute pièce dont le numéro de série a été effacé ou sur lequel/laquelle le numéro de série est devenu illisible. Le fait d'effacer le numéro de série sur un Appareil ou de le rendre illisible sur un Appareil annulera immédiatement la Garantie limitée pour ledit Appareil ; (ii) tout dommage quel qu'il soit qui survient pendant l'expédition de l'Appareil, une fois que l'Appareil a été accepté par l'Acheteur ; (iii) tout dommage quel qu'il soit résultant d'un manquement quel qu'il soit à suivre les instructions d'utilisation, de maintenance ou environnementales figurant dans le livret de consignes ou dans le manuel d'utilisation disponible en lien avec l'Appareil ; (iv) les frais de gestion pour le transport vers des îles ou des zones reculées,

ce qui inclut, sans pour autant s'y limiter, les coûts de ferry, les frais de péage ou autres dépenses

de transport ; (v) remplacement des fusibles ou boîtes à fusibles du domicile, ou réactivation de disjoncteurs ; (vi) accusation ou responsabilité vis-à-vis de dommages infligés sur les biens situés autour, notamment les meubles, sols, plafonds et autres structures ou objets ; (vii) coût des appels d'assistance visant à obtenir des instructions, la correction d'erreurs d'installation, des réglages à effectuer par le client alors qu'ils sont expliqués dans le manuel d'utilisation de l'Appareil, ou lorsque l'Appareil fonctionne bien conformément aux spécifications de l'Appareil. Il se peut que des frais

de gestion soient facturés pour les appels d'assistance effectués pour des problèmes non couverts par la présente Garantie limitée ; (viii) cassure, décoloration ou dommage sur le verre, les surfaces métalliques, les composants en plastique, la garniture, la peinture ou d'autres finitions esthétiques, causés par une utilisation ou un entretien inapproprié(e), une utilisation abusive ou une négligence ; (ix) à l'exception des éléments précités, les pièces consommables, telles que les filtres et les ampoules, ne sont pas couvertes et relèvent donc de la responsabilité de l'Acheteur ; (x) utilisation à des fins commerciales, professionnelles ou locatives, ou pour toute autre application qu'une utilisation résidentielle par le consommateur ; (xi) variation de couleur due à des différences dans les pièces peintes, à l'éclairage de la cuisine, au positionnement de l'appareil et à d'autres facteurs.

Nous n'assurons et ne garantissons pas un fonctionnement continu ou sans erreur de l'Appareil.

4. QUELLES SONT LES LIMITATIONS APPLICABLES À UNE INTERVENTION À DOMICILE SOUS GARANTIE ?

L'intervention à domicile est soumise à disponibilité et n'est pas disponible dans toutes les régions du Canada.

L'intervention à domicile ne sera assurée que si l'Appareil est dégagé et facilement accessible au niveau du sol pour le personnel d'intervention. Si la réparation ne peut pas être effectuée pendant l'intervention à domicile, ou si l'intervention à domicile n'est pas disponible dans votre région, il se peut qu'il vous soit demandé d'envoyer l'Appareil dans un centre de service Dacor agréé à des fins de réparation sous garantie. Le coût du transport de l'Appareil vers et depuis un centre de service Dacor agréé sera payé par l'Acheteur, à moins que nous ne décidions à notre discrétion de prendre en charge le coût du transport.

Garantie et Service

Pour bénéficier d'une intervention à domicile, l'Acheteur doit d'abord communiquer avec le Service client Dacor pour déterminer l'origine du problème et identifier les procédures de réparation. Toutes les réparations à domicile sous garantie doivent être effectuées par un centre de service Dacor agréé. Une preuve d'achat valide doit nous être présentée au moment où l'intervention est demandée et avant que les interventions sous garantie soient effectuées.

Lorsque l'intervention à domicile n'est pas disponible, l'Acheteur doit renvoyer l'Appareil dans un centre de service Dacor agréé à des fins d'analyse. Pour savoir où envoyer l'Appareil, communiquez avec notre Centre de service client. Le coût du transport de l'Appareil vers ou depuis le centre de service agréé doit être payé par l'Acheteur.

5. QUELLES SONT LES LIMITATIONS DE NOTRE RESPONSABILITÉ?

SAUF TEL QU'EXPRESSÉMENT EXPOSÉ DANS LA PRÉSENTE GARANTIE LIMITÉE, NOTRE RESPONSABILITÉ EST SOUMISE AUX LIMITATIONS SUIVANTES :

(A) L'ACHETEUR ACCEPTE L'APPAREIL « EN L'ÉTAT » ET NOUS NE FAISONS AUCUNE GARANTIE OU ASSURANCE QUELLE QU'ELLE SOIT QUANT À L'APPAREIL.

(B) IL N'EXISTE AUCUNE CONDITION, EXPRESSE OU IMPLICITE, STATUTAIRE OU AUTRE, VIS-À-VIS DE L'APPAREIL.

(C) EN PARTICULIER, ET SANS LIMITER LA GÉNÉRALITÉ DES PARAGRAPHERS (A) ET (B) PRÉCÉDENTS, NOUS NE FAISONS AUCUNE GARANTIE, CONDITION OU ASSURANCE QUANT AUX ÉLÉMENTS SUIVANTS : (i) LA QUALITÉ MARCHANDE DE L'APPAREIL OU SON ADÉQUATION À UN OBJECTIF OU USAGE SPÉCIFIQUE ; (ii) LE TITRE OU LA CONTREFAÇON ; (iii) LA CONCEPTION, L'ÉTAT, LA QUALITÉ OU LES PERFORMANCES DE L'APPAREIL ; (iv) LA CONSTRUCTION DE L'APPAREIL OU DES COMPOSANTS QU'IL CONTIENT ; (v) LA CONFORMITÉ DE L'APPAREIL AUX EXIGENCES DE TOUTE LOI, RÈGLE, SPÉCIFICATION OU TOUT CONTRAT RELATIF À L'APPAREIL.

(D) PARMIS TOUT CE QUE CONTIENT UN MANUEL D'INSTRUCTIONS OU D'UTILISATION, RIEN NE DOIT ÊTRE CONSIDÉRÉ COMME CRÉANT UNE GARANTIE EXPRESSE DE QUELQUE NATURE QUE CE SOIT VIS-À-VIS DE L'APPAREIL.

LES CLAUSES PRÉSENTES DANS LES PARAGRAPHERS (E) ET (F) CI-DESSOUS NE S'APPLIQUENT PAS DANS LES CIRCONSTANCES OÙ LA PRÉSENTE GARANTIE LIMITÉE EST RÉGIE PAR LES LOIS DE LA PROVINCE DU QUÉBEC.

(E) TOUTES LES GARANTIES ET CONDITIONS IMPLICITES POUVANT DÉCOULER DE L'APPLICATION DE LA LOI, NOTAMMENT TOUTE GARANTIE OU CONDITION IMPLICITE APPLICABLE QUANT À LA QUALITÉ MARCHANDE OU L'ADÉQUATION À UN USAGE PARTICULIER, SONT PAR LA PRÉSENTE LIMITÉES À

LA MÊME DURÉE QUE LA PRÉSENTE GARANTIE LIMITÉE. CERTAINES PROVINCES INTERDISENT LES LIMITATIONS PORTANT SUR LA DURÉE D'UNE GARANTIE IMPLICITE ET LA LIMITATION DE DURÉE DE LA GARANTIE IMPLICITE NE S'APPLIQUERA PAS DANS LA MESURE OÙ LA LIMITATION EST INTERDITE PAR LA LOI EN VIGUEUR DANS LA PROVINCE.

(F) NOUS NE POURRONS ÊTRE TENUS POUR RESPONSABLES EN CAS DE DOMMAGES QUELS QU'ILS SOIENT (NOTAMMENT, MAIS SANS POUR AUTANT S'Y LIMITER, TOUT DOMMAGE ACCESSOIRE, PARTICULIER, INDIRECT OU SIMILAIRE) RÉSULTANT OU DÉCOULANT DIRECTEMENT OU INDIRECTEMENT DE L'UN DES ÉLÉMENTS SUIVANTS : (i) L'ACHAT, L'UTILISATION OU L'USAGE INAPPROPRIÉ DE L'APPAREIL ; (ii) TOUTE PERTE DE JOUISSANCE DE L'APPAREIL OU INCAPACITÉ À UTILISER L'APPAREIL ; (iii) TOUTE VIOLATION DE LA GARANTIE EXPRESSE ; (iv) TOUTE PERTE DE PROFITS OU BÉNÉFICES ANTICIPÉS ; (v) TOUTE PERTE D'ALIMENTS OU DE PRODUITS CONSOMMABLES ; (vi) TOUTE FAUTE (NOTAMMENT UNE NÉGLIGENCE OU GROSSIÈRE NÉGLIGENCE) OU ERREUR COMMISE PAR NOUS, NOS AGENTS OU EMPLOYÉS ; (vii) TOUTE VIOLATION DU CONTRAT ; (viii) TOUTE RÉCLAMATION FAITE

À L'ENCONTRE DE L'ACHETEUR PAR TOUTE AUTRE PARTIE. CERTAINES PROVINCES INTERDISENT L'EXCLUSION OU LA RESTRICTION DES DOMMAGES ACCESSOIRES OU INDIRECTS ET L'EXCLUSION PRÉCITÉE DES DOMMAGES ACCESSOIRES OU INDIRECTS NE S'APPLIQUERA PAS DANS LA MESURE OÙ L'EXCLUSION EST INTERDITE PAR LA LOI EN VIGUEUR DANS LA PROVINCE.

Garantie et Service

(G) LA PRÉSENTE GARANTIE VOUS CONFÈRE DES DROITS LÉGAUX SPÉCIFIQUES ET VOUS POUVEZ ÉGALEMENT AVOIR D'AUTRES DROITS QUI VARIENT D'UNE PROVINCE À L'AUTRE. LA PRÉSENTE GARANTIE LIMITÉE STIPULE LE RECOURS EXCLUSIF DE L'ACHETEUR. SAUF LORSQUE TEL EST INTERDIT PAR LA LOI EN VIGUEUR DANS LA PROVINCE, LA PRÉSENTE GARANTIE LIMITÉE N'EST PAS CESSIBLE SANS AVOIR OBTENU NOTRE CONSENTEMENT EXPRESSE.

(H) SI UNE PARTIE DE LA PRÉSENTE GARANTIE LIMITÉE EST JUGÉE COMME ILLÉGALE OU NON APPLICABLE SELON UNE LOI QUELLE QU'ELLE SOIT, LADITE INAPPLICABILITÉ OU ILLÉGALITÉ PARTIELLE N'AFPECTERA PAS L'APPLICABILITÉ DU RESTE DE LA PRÉSENTE GARANTIE LIMITÉE.

Si l'Appareil est acheté auprès d'un revendeur ou distributeur non agréé ou acheté en dehors du Canada, la présente Garantie limitée ne s'applique pas, à l'exception des limitations précitées spécifiées dans les Sections 5(A) à 5(I) qui s'appliquent effectivement.

Émetteur de la garantie au Canada : Samsung Electronics Canada Inc., Mississauga, ON, L5N 0B9 Canada

EN DEHORS DES ÉTATS-UNIS ET DU CANADA :

GARANTIE LIMITÉE À UN AN

Si votre appareil Dacor ne fonctionne pas durant la première année suivant la date originale d'achat en raison d'un défaut de matériel ou de fabrication, Dacor fournira une nouvelle pièce d'usine franco à bord pour remplacer la pièce défectueuse.

Toute livraison, installation, tout frais de main d'œuvre et autre frais de service sera à la charge de l'acheteur.

Contenido

Información importante para el cliente	33
Información importante de seguridad	34
Operaciones	37
Descripción de la campana	37
Cuidado y mantenimiento	38
Mantenimiento	38
Solución de problemas	40
Cómo obtener ayuda	40
Garantía y Servicio	41

Información importante para el cliente

Instalador

Deje estas instrucciones al propietario.

Cliente

Lea este manual por completo antes de utilizar la campana. Guarde el manual como referencia.

Para obtener información sobre el servicio y la garantía, consulte la pág. 41

Si tiene alguna pregunta (que no sea sobre la garantía) llame al servicio de atención al cliente de Dacor.

Información importante de seguridad

▲ ADVERTENCIA

Indica que la inobservancia de esta advertencia puede provocar la muerte o lesiones graves.

⚠ PRECAUCIÓN

Esto indica que pueden producirse lesiones leves o moderadas como consecuencia de la inobservancia de esta advertencia.

📖 NOTA

Esto indica que pueden producirse daños en el aparato o en la propiedad si no se respeta esta advertencia.

▲ ADVERTENCIA

Utilice esta unidad sólo de la manera prevista por el fabricante. Si tiene dudas, póngase en contacto con el fabricante.

▲ ADVERTENCIA

- Al cortar o perforar la pared o el techo, no dañe el cableado eléctrico ni otros servicios públicos ocultos.
- Los ventiladores con conductos deben estar siempre ventilados al exterior.

INSTALADOR: DEJE ESTAS INSTRUCCIONES JUNTO CON EL APARATO UNA VEZ FINALIZADA LA INSTALACIÓN.

IMPORTANTE: PARA USO DEL INSPECTOR LOCAL.

▲ ADVERTENCIA

Si se cuida adecuadamente, su nuevo aparato ha sido diseñado para ser seguro y fiable. Lea atentamente todas las instrucciones antes de utilizarlo. Estas precauciones reducirán el riesgo de quemaduras, descargas eléctricas, incendios y lesiones a las personas. Al utilizar los electrodomésticos de la cocina, deben seguirse las precauciones básicas de seguridad, incluidas las de las páginas siguientes.

Instalación y mantenimiento adecuados

▲ ADVERTENCIA

Retire toda la cinta y el embalaje antes de utilizar el aparato. Destruya el embalaje después de desembalar el aparato. No permita que los niños jueguen con el material de embalaje. Este aparato está destinado a un uso doméstico normal. No está aprobado para su uso en exteriores. Consulte la declaración de garantía limitada en este manual. Si tiene alguna duda, póngase en contacto con el fabricante.

No almacene ni utilice productos químicos corrosivos, vapores, inflamables o productos no alimentarios dentro o cerca de este aparato. Está diseñado específicamente para su uso al calentar o cocinar alimentos. El uso de productos químicos corrosivos para calentar o limpiar dañará el aparato y podría provocar lesiones.

No utilice este aparato si no funciona correctamente o si está dañado. Póngase en contacto con un servicio técnico autorizado. No repare ni sustituya ninguna pieza del aparato a menos que se recomiende específicamente en este manual. Diríjase a un centro de servicio autorizado por la fábrica para cualquier tipo de reparación.

⚠ PRECAUCIÓN

La grasa que queda en los filtros puede derretirse y pasar a la ventilación.

▲ ADVERTENCIA

Las superficies ocultas pueden tener bordes afilados. Tenga cuidado al alcanzar detrás o debajo del aparato.

Información importante de seguridad

Seguridad contra incendios

▲ ADVERTENCIA

Utilice este aparato sólo para el uso previsto, tal como se describe en este manual.

Tenga siempre un detector de humo en funcionamiento cerca de la cocina. En caso de que se incendie la ropa o el pelo de las personas, bájese y ruede inmediatamente para extinguir las llamas. Disponga de un extintor de incendios adecuado, cercano, bien visible y de fácil acceso cerca del aparato.

Apague las llamas de los fuegos de alimentos que no sean de grasa con bicarbonato de sodio. No utilice nunca agua en los fuegos de la cocina.

▲ ADVERTENCIA

PARA REDUCIR EL RIESGO DE LESIONES A LAS PERSONAS EN CASO DE INCENDIO DE LA GRASA DE LA COCINA, OBSERVE LO SIGUIENTE:*

- Apague las llamas con una tapa ajustada, una bandeja para galletas o una bandeja metálica, y luego apague el quemador. Tenga cuidado para evitar quemaduras. Si las llamas no se apagan inmediatamente, evacúe y llame a los bomberos.
- No levante nunca una sartén en llamas: puede quemarse.
- No utilice agua, incluyendo paños de cocina o toallas - se producirá una violenta explosión de vapor.
- Utilice un extintor sólo si:
 - a) Tiene un extintor de clase ABC y ya sabe cómo manejarlo.
 - b) El fuego es pequeño y está contenido en la zona donde se inició.
 - c) Se está llamando a los bomberos.
 - d) Puede combatir el fuego de espaldas a una salida.

*Basado en "Kitchen Fire Safety Tips" publicado por la NFPA

Siempre que sea posible, no accione el sistema de ventilación durante un incendio en la placa de cocción. Sin embargo, no intente alcanzar el fuego para apagarlo.

LEA Y GUARDE ESTAS INSTRUCCIONES

▲ ADVERTENCIA

RIESGO DE INCENDIO

El aceite y la grasa calientes se incendian rápidamente. Nunca deje el aceite y la grasa calientes sin supervisión. Nunca apague un fuego con agua. Sofoca las llamas cuidadosamente con una tapa, una manta ignífuga o algo similar.

▲ ADVERTENCIA

RIESGO DE INCENDIO

Los depósitos de grasa en el filtro pueden inflamarse. Limpie el filtro al menos cada dos meses o con la frecuencia necesaria. No utilice nunca el aparato sin el filtro.

▲ ADVERTENCIA

RIESGO DE INCENDIO

Los depósitos de grasa en el filtro pueden incendiarse. No trabaje nunca con una llama desnuda cerca del aparato (por ejemplo, flameando).

Información importante de seguridad

▲ ADVERTENCIA

RIESGO DE INCENDIO

Utilice únicamente conductos metálicos.

▲ ADVERTENCIA

RIESGO DE QUEMADURAS

Las partes accesibles se calientan durante el funcionamiento. No toque nunca las partes calientes. Mantenga a los niños alejados. Cuando los niños tengan la edad suficiente para utilizar el aparato, es responsabilidad de los padres o tutores legales asegurarse de que sean instruidos en prácticas seguras por personas cualificadas.

No permita que nadie se suba, se pare, se apoye, se siente o se cuelgue de ninguna parte del aparato. Esto puede dañar el aparato o causar lesiones.

▲ ADVERTENCIA

Asegúrese de que todo el aparato (incluidos los filtros y la tira de LEDs, si procede) se ha enfriado y la grasa se ha solidificado antes de intentar limpiar cualquier parte del aparato.

No utilice limpiadores de vapor para limpiar el aparato.

AVISOS DE LA PROPUESTA 65

Este producto puede contener una sustancia química conocida por el Estado de California, que puede causar cáncer o daños reproductivos. Por lo tanto, el envase de su producto puede llevar la siguiente etiqueta, tal y como exige California:

ADVERTENCIA DE LA PROPOSICIÓN 65 DEL ESTADO DE CALIFORNIA:

▲ ADVERTENCIA

Cáncer y daño reproductivo- www.p65warnings.ca.gov

Protegiendo el ambiente

Desembale el aparato y elimine el embalaje de acuerdo con los requisitos medioambientales.

NOTICIA

Encienda siempre el aparato cuando cocine para evitar la acumulación de condensación. La condensación puede provocar daños por corrosión.

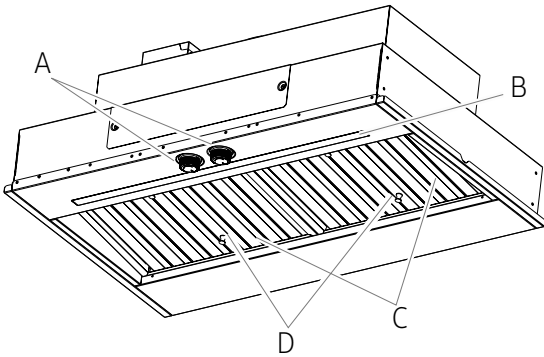
Riesgo de daños debido a la entrada de humedad en los circuitos electrónicos.

No limpie nunca los mandos del aparato con un paño húmedo. Pueden producirse daños en la superficie debido a una limpieza incorrecta. Limpie las superficies de acero inoxidable sólo en la dirección del cepillado. No utilice ningún limpiador de acero inoxidable para los mandos del operador. No utilice nunca productos de limpieza fuertes o abrasivos, ya que pueden causar daños en la superficie.

Riesgo de daños por reflujos de condensación. Instale el conducto de evacuación de gases de combustión con una ligera inclinación hacia abajo, lejos del aparato.

Operaciones

Descripción de la campana

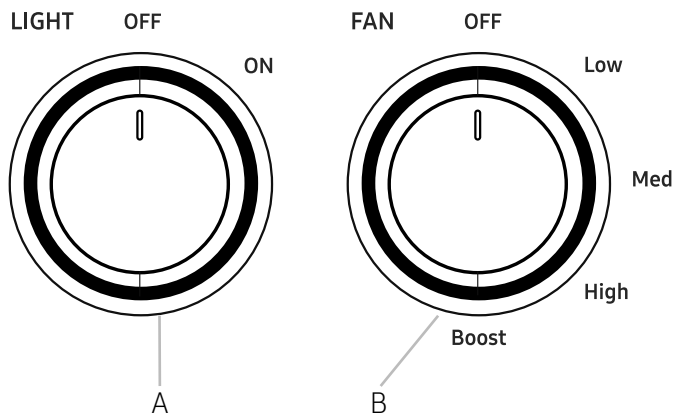


- A. Controles de ventiladores y luces
B. Tira de LEDs
C. Filtro
D. Asa del filtro

Control

La campana extractora está diseñada para eliminar el humo, los vapores y los olores de la zona de cocción. Para obtener los mejores resultados, ponga en marcha la campana antes de cocinar y déjela funcionar varios minutos después de terminar de cocinar para eliminar todo el humo y los olores de la cocina.

Los controles de la campana están situados en el lado central de la campana extractora.



- A. Perilla de las luces
B. Perilla del ventilador

Funcionamiento de las luces

1. Gire el interruptor de la luz a la posición "ON" para encender las luces de la campana extractora.
2. Gire el interruptor de la luz a la posición "OFF" para apagar las luces de la campana extractora.

Funcionamiento del ventilador

1. Gire el interruptor del ventilador en "Low" para encender la campana extractora.
2. Gire el interruptor del ventilador a la posición de velocidad deseada.
3. Gire el interruptor del ventilador a la posición "Boost" para encender la campana extractora en Alto.
4. Gire el interruptor del ventilador a la posición "OFF" para apagar el ventilador de la campana extractora.

Ventilador Auto On

La campana extractora está equipada con un sensor para encender automáticamente el ventilador cuando se detecta un calor excesivo en la zona de control. Este sensor hará que el ventilador aumente su velocidad cuando sea necesario. Cuando el calor disminuya, el ventilador volverá a su función anterior.

Reducción de CFM

Cuando el cable de reducción de CFM está en uso, tanto "High" como "Boost" funcionarán con la función "High".

Las funciones "High" y "Boost" son máx. 410 CFM para el modelo de un solo ventilador y máx. 810 CFM para los modelos de doble ventilador.

Cuidado y mantenimiento

Mantenimiento

▲ ADVERTENCIA

Para evitar el riesgo de incendio y explosión no utilice líquidos o disolventes inflamables. Desenchufe o desconecte siempre el aparato de la red eléctrica antes de proceder a su mantenimiento o limpieza.

No utilice limpiadores de vapor para limpiar el aparato. Las superficies ocultas pueden tener bordes afilados. Tenga cuidado al meter la mano por detrás o por debajo del aparato.

▲ ADVERTENCIA

RIESGO DE QUEMADURAS

El aparato se calentará cuando esté en uso, deje que se enfríe antes de limpiarlo.

▲ ADVERTENCIA

RIESGO DE DESCARGA ELÉCTRICA

La humedad puede provocar una descarga eléctrica. Limpie el aparato sólo con un paño húmedo. Antes de limpiarlo, desconecte el enchufe o accione el disyuntor en la caja de fusibles.

Agentes de limpieza

Para evitar que las distintas superficies se dañen debido a productos de limpieza incorrectos, siga las especificaciones indicadas. No utilizar:

- Agentes de limpieza que son duros o abrasivos
- Productos de limpieza con alto contenido de alcohol
- Almohadillas o esponjas abrasivas duras
- Limpiadores de alta presión o de vapor

Aclare bien todas las esponjas nuevas antes de utilizarlas.

Superficies exteriores

Para evitar daños en la superficie exterior, no utilice estropajos de acero o jabón para limpiar la campana. Pase siempre un paño seco para evitar marcas de agua.

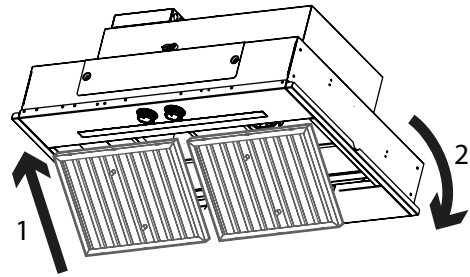
Método de limpieza

- Jabón detergente líquido y agua o limpiador multiuso.
- Limpie con un paño suave y húmedo o con una esponja no abrasiva, luego enjuague con agua limpia y seque.
- No utilice productos de limpieza que contengan lejía.

Cuidado y mantenimiento

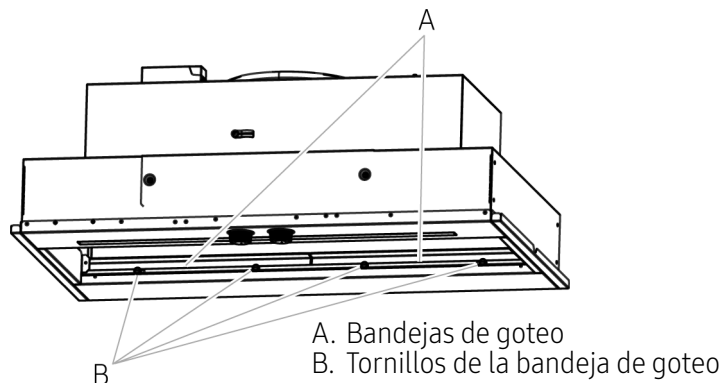
Filtros y bandejas de goteo

1. Utilice las dos manos para retirar los filtros. Agarre las asas de los filtros, tire hacia la parte delantera de la campana extractora y tire hacia abajo del asa trasera para retirarlos. Repita la operación para cada filtro.

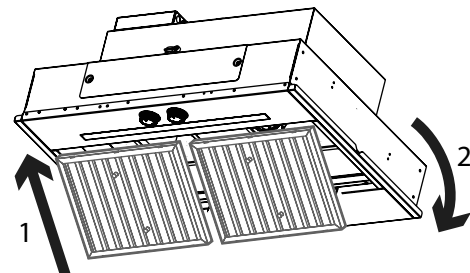


*El modelo mostrado es sólo de referencia, algunas características pueden variar

2. Afloje y retire los tornillos de la bandeja de goteo y desinstale las bandejas de goteo.



3. Lave los filtros y las bandejas de goteo según sea necesario en el lavavajillas o en una solución de detergente caliente para limpiarlos.
4. Coloque la bandeja de goteo en su posición original, vuelva a colocar y apriete los tornillos de la bandeja de goteo.
5. Vuelva a instalar los filtros agarrando las asas del filtro y coloque el borde delantero del filtro en la campana.
6. Empuje hacia arriba el asa trasera y coloque la parte posterior del filtro en la bandeja de goteo para asegurarlo. Repita la operación con cada filtro.



Sustitución de la tira de LEDs

La tira de LEDs sólo puede ser sustituida por un técnico de servicio. Consulte la información de contacto del servicio técnico en la sección Garantía.

Solución de problemas

Esta tabla enumera varios problemas menores relacionados con las campanas, las posibles causas y las soluciones. Si tiene un problema que aparece en esta tabla, intente resolverlo aplicando la solución correspondiente. Si no puede resolver el problema, póngase en contacto con Dacor (consulte la garantía y el servicio técnico para obtener información de contacto).

Problema	Causa	Solución
Nada funciona (las luces del ventilador no funcionan)	<ul style="list-style-type: none">• El interruptor principal está desconectado; la alimentación de la campana está desconectada• Corte de energía• La campana no está conectada a la fuente de alimentación	<ul style="list-style-type: none">• Compruebe el interruptor principal de la campana; conecte la alimentación en la fuente; compruebe si hay un disyuntor disparado o un fusible fundido.• Llame a su compañía eléctrica• Conéctela a la fuente de alimentación
La(s) luz(es) no funciona(n) (el ventilador funciona)	<ul style="list-style-type: none">• Tira de LEDs quemada	<ul style="list-style-type: none">• Llamada al servicio
El ventilador no extrae el calor y el humo correctamente	<ul style="list-style-type: none">• Velocidad del ventilador a baja velocidad• Filtros obstruidos• Compuerta atascada; conductos obstruidos	<ul style="list-style-type: none">• Ver sección de instrucciones de funcionamiento• Llamar al servicio técnico• Consulte a un profesional de la instalación cualificado*.
El ventilador no funciona (las luces funcionan)	<ul style="list-style-type: none">• Avería eléctrica del ventilador	<ul style="list-style-type: none">• Llamada al servicio
El ventilador se enciende solo	<ul style="list-style-type: none">• La función Auto on está activa	<ul style="list-style-type: none">• El ventilador se apagará automáticamente cuando el calor se haya enfriado
	<ul style="list-style-type: none">• Avería de función Auto on	<ul style="list-style-type: none">• Desconecte la fuente de alimentación y llame al servicio técnico

*Dacor no fabrica/garantiza/mantenimiento el conducto que ventila el calor/humo de la campana hacia el exterior. El propietario deberá encargar a una persona cualificada la instalación/mantenimiento de los conductos.

Cómo obtener ayuda

Antes de solicitar el servicio:

1. Revise la **Solución de problemas**
2. Familiarícese con la garantía de la campana, sus términos y condiciones
3. Si ninguna de las sugerencias anteriores resuelve su problema, llame al servicio de atención al cliente de Dacor.

Garantía y Servicio

Atención al cliente

Antes de solicitar asistencia o programar un servicio:

1. Pruebe con las soluciones provistas en la tabla de la sección “Solución de problemas”.
2. Familiarícese con los términos y condiciones de la garantía del producto.
3. Si ninguno de esos consejos prácticos o sugerencias resuelve su problema, visite dacor.com o llame a nuestro centro de atención al cliente al (833) 353-5483 (Estados Unidos), (844) 509-4659 (Canadá)

Estados Unidos - Garantía

CERTIFICADO DE GARANTÍA PARA CAMPANA DE COCINA DACOR - ESTADOS UNIDOS:

GARANTIA COMPLETA DE DOS AÑOS

Esta garantía cubre cualquier defecto en los materiales o la mano de obra en el nuevo electrodoméstico de la marca Dacor comprado a un distribuidor autorizado de Dacor u otro vendedor autorizado por Dacor.

Esta garantía se aplica por dos años a partir de la fecha del comprobante de la compra minorista original o la fecha de cierre para la nueva construcción, el periodo que sea más largo. Dacor reparará o reemplazará su producto.

GARANTÍA LIMITADA

Una vez finalizado el período de garantía completa, este producto está garantizado contra defectos de materiales o mano de obra que se nos informen durante los períodos de garantía aplicables de la siguiente manera:

Defectos cosméticos. Además, durante 60 días a partir de la fecha de compra, se garantiza que su producto está libre de defectos cosméticos en los materiales y la mano de obra (como arañazos del acero inoxidable, manchas en la pintura/porcelana, astillas, abolladuras u otros daños en el acabado). Se excluyen las variaciones de color y se excluyen específicamente los productos de exhibición, modelo de piso, vendidos “tal cual” o reacondicionados.

LIMITACIONES DE LA COBERTURA

El servicio será ofrecido por una empresa de servicios designada por Dacor durante el horario laboral normal. Les rogamos que tengan en cuenta que los proveedores de servicios no son agentes de Dacor, sino entidades independientes.

El propietario debe proporcionar a solicitud una prueba de compra o una declaración de cierre para la nueva construcción. Todos los productos Dacor deben estar en una ubicación accesible para el servicio.

La garantía se considerará nula y sin efecto en aquellos productos cuyos números de serie y etiquetas hayan sido alterados, desfigurados o eliminados.

La garantía se considerará nula y sin efecto si un producto no aprobado por CSA se transporta desde Estados Unidos.

Garantía y Servicio

LO QUE NO ESTÁ CUBIERTO

<ul style="list-style-type: none"> Pueden observarse ligeras variaciones en el color a causa de diferencias entre las partes pintadas, iluminación de la cocina, ubicación del producto y otros factores; esta garantía no cubre las variaciones de color. 	<ul style="list-style-type: none"> Las llamadas de servicio para instruir al cliente acerca del correcto uso y cuidado del producto.
<ul style="list-style-type: none"> Las tarifas de servicio para viajes a islas y áreas remotas, que incluyen, entre otros, transbordadores, carreteras con peaje u otros gastos de viaje. 	<ul style="list-style-type: none"> Daños indirectos o accidentales, que incluyen, aunque no de modo taxativo: pérdida de alimentos o medicinas, ausencia del trabajo o comidas en restaurantes.
<ul style="list-style-type: none"> Fines comerciales, empresariales, de alquiler o cualquier otro propósito que no sea el uso residencial por parte del consumidor. 	<ul style="list-style-type: none"> Falla del producto causada por una instalación incorrecta.
<ul style="list-style-type: none"> Reemplazo de fusibles o cajas de fusibles domésticos o reajuste de disyuntores. 	<ul style="list-style-type: none"> Daños causados por accidentes, incendios, inundaciones, interrupción de alimentación, sobrecargas eléctricas o fenómenos naturales.
<ul style="list-style-type: none"> Responsabilidad por daños a la propiedad circundante, incluyendo gabinetes, pisos, techos y otros objetos o estructuras. 	<ul style="list-style-type: none"> Rotura, decoloración o daños a superficies de cristal o metálicas, componentes plásticos, bordes, pintura u otros acabados cosméticos causados por mal uso o cuidado impropio, abuso o negligencia.
<ul style="list-style-type: none"> Excepto en los casos indicados anteriormente, las partes consumibles como filtros y lámparas LED no están incluidas y son responsabilidad del comprador. 	

LOS RECURSOS PROPORCIONADOS EN LAS GARANTÍAS EXPRESAS ANTEDICHAS CONSTITUYEN SU ÚNICO Y EXCLUSIVO RECURSO. POR CONSIGUIENTE, NO SE OFRECE NINGUNA OTRA GARANTÍA EXPRESA, Y FUERA DE LOS CINCUENTA ESTADOS DE ESTADOS UNIDOS Y CANADÁ, TODAS LAS GARANTÍAS IMPLÍCITAS, INCLUIDAS, ENTRE OTRAS, LAS GARANTÍAS IMPLÍCITAS DE COMERCIALIZABILIDAD O DE IDONEIDAD PARA UN USO O FIN CONCRETO, TIENEN UNA DURACIÓN LIMITADA A UN AÑO A PARTIR DE LA FECHA DE COMPRA ORIGINAL. EN NINGÚN CASO DACOR SERÁ RESPONSABLE DE DAÑOS ACCIDENTALES O INDIRECTOS. EN CASO DE QUE DACOR GANE UN JUICIO, DACOR TENDRÁ DERECHO A RECIBIR DEL CLIENTE EL REEMBOLSO DE TODOS LOS COSTOS Y GASTOS, INCLUIDOS LOS HONORARIOS DEL ABOGADO. NO SE OFRECE GARANTÍA ALGUNA, EXPRESA O IMPLÍCITA, A UN COMPRADOR QUE REVENDA EL PRODUCTO.

Ciertos estados no permiten limitaciones en cuanto a la vigencia de una garantía implícita o no permiten la exclusión o limitación de daños intrascendentes, de tal forma que las limitaciones o excepciones mencionadas tal vez no se apliquen a usted en particular. Esta garantía le otorga derechos legales específicos, e incluso puede otorgarle otros derechos que varían de un estado a otro.

Garante: Samsung Electronics America, Ridgefield Park, NJ, 07660

Garantía y Servicio

CANADÁ – Garantía

CERTIFICADO DE GARANTÍA PARA CAMPANA DE COCINA DACOR - CANADÁ:

Esta garantía limitada cubre solo aquellos productos suministrados y distribuidos en Canadá por nosotros y entregados nuevos, en la caja o el empaque original, al comprador consumidor original que realiza la compra a un revendedor o distribuidor autorizado, excepto que se indique lo contrario en el presente documento. Excepto donde lo prohíba la ley provincial aplicable, solo el comprador consumidor original del producto tiene derechos en virtud de esta garantía limitada, la cual no se puede transferir ni ceder.

Cualquier declaración adicional, como publicidad o presentación del distribuidor, ya sea oral o escrita, que ofrezca garantías adicionales o modificaciones a la presente garantía limitada no constituye una garantía por parte nuestra y no es confiable.

1. LO QUE ESTÁ CUBIERTO Y POR CUÁNTO TIEMPO

Garantizamos al comprador original (“Comprador”) que su campana de cocina Dacor comprado a un revendedor o distribuidor autorizado en Canadá (los “Productos”) está libre de defectos en los materiales y la mano de obra encontrados en el uso normal durante el período de garantía identificado a continuación, efectivo a partir de la fecha de compra o fecha de cierre para la nueva construcción, el periodo que sea más largo.

Producto o pieza de Dacor	Periodo y cobertura de la garantía
Campana de cocina	Dos (2) años: Piezas y mano de obra

Defectos cosméticos. Durante sesenta (60) días a partir de la fecha de compra, se garantiza que el producto está libre de defectos cosméticos en los materiales y la mano de obra (como arañazos del acero inoxidable, manchas en la pintura/porcelana, astillas, abolladuras u otros daños en el acabado). Se excluyen las variaciones de color y se excluyen específicamente los productos de exhibición, modelo de piso, vendidos “tal cual” o reacondicionados.

2. LIMITACIONES DE LA COBERTURA

Si el producto no funciona de acuerdo con las especificaciones durante el periodo de garantía aplicable y la falla se debe a una mano de obra inadecuada o materiales defectuosos, repararemos o reemplazaremos, a nuestro exclusivo criterio, y sin cargo para el comprador, el producto o cualquier otro componente defectuoso del producto. Podemos, a nuestro exclusivo criterio, utilizar piezas o componentes reconstruidos, reacondicionados o nuevos al reparar cualquier producto. Si el mismo modelo de producto o pieza no está disponible para el reemplazo, podemos, a nuestro exclusivo criterio, reemplazar el producto o la pieza con cualquier producto o pieza reconstruida, renovada, reacondicionada o nueva de utilidad y valor similares al producto o la pieza que se reemplaza.

Nos reservamos expresamente el derecho exclusivo, a nuestra entera discreción, y en lugar de cualquier servicio, reparación o reemplazo de un producto en virtud de la presente garantía limitada, de ofrecer al comprador un reembolso parcial del precio de compra original pagado por el comprador por ese producto (un “Reembolso parcial”). El monto de cualquier reembolso parcial que se ofrecerá se determinará a nuestra discreción con base en el valor justo de mercado del producto dada su antigüedad y condición. Si el comprador acepta la oferta de un reembolso parcial, se considerará que nos ha liberado de cualquier reclamo o responsabilidad en virtud de la presente garantía limitada o cualquier otra garantía o condición expresa o implícita aplicable con respecto a ese producto.

Todas las piezas reparadas o los productos reemplazados estarán garantizados por un periodo igual a lo que resta de la garantía limitada original del producto original o por 90 días, el plazo que sea más largo.

Garantía y Servicio

3. LO QUE NO ESTÁ CUBIERTO

Los recursos previstos en la presente garantía limitada están disponibles solo dentro de Canadá.

Esta garantía limitada no cubre ningún defecto, mal funcionamiento, falla o daño causado por, o que resulte de, cualquiera de los siguientes casos:

(a) retiro, instalación, reinstalación, mantenimiento o servicio del producto sin nuestra autorización; (b) accidente, incendio, inundación, interrupción de energía, sobrecargas de energía, voltaje de línea o suministro incorrecto o corriente eléctrica, fusibles, cableado de la casa, disyuntores, conectores no suministrados por nosotros, tensión eléctrica o electromecánica inusual, casos de fuerza mayor o actos de la naturaleza; (c) mal uso, abuso, negligencia, mal manejo, mala aplicación, alteración o modificación del producto o de cualquier pieza del producto; (d) uso del producto junto con otros productos, equipos, utilidades, servicios, piezas, suministros, accesorios, aplicaciones, cableado externo, conectores o equipos auxiliares o periféricos no suministrados o autorizados por nosotros; (e) usos para los cuales el producto no fue diseñado.

Además, esta garantía limitada no cubre: (i) cualquier producto o pieza cuyo número de serie se haya eliminado o se haya vuelto ilegible. Eliminar o dejar ilegible el número de serie de cualquier producto anulará de inmediato la garantía limitada de dicho producto; (ii) cualquier daño que ocurra durante el envío del producto una vez que el comprador ha aceptado el producto; (iii) cualquier daño que resulte de cualquier incumplimiento de las instrucciones de operación, mantenimiento o ambientales contenidas en cualquier folleto de instrucciones o manual del propietario disponible en relación con el producto; (iv) tarifas de servicio para viajes a islas y áreas remotas, que incluyen, entre otros, transbordadores, carreteras con peaje u otros gastos de viaje; (v) reemplazo de fusibles domésticos, cajas de fusibles o reajuste de disyuntores; (vi) responsabilidad por daños a la propiedad circundante, incluidos gabinetes, pisos, techos y otras estructuras u objetos; (vii) el costo de las llamadas de servicio para obtener instrucciones, para la corrección de errores de instalación, para los ajustes del cliente que se explican en el manual del propietario del producto o cuando el producto funciona de acuerdo con las especificaciones. Las llamadas de servicio realizadas por problemas no cubiertos por la presente garantía limitada podrían tener un cargo; (viii) rotura, decoloración o daños a superficies de cristal o metálicas, componentes plásticos, bordes, pintura u otros acabados cosméticos causados por mal uso o cuidado indebido, abuso o negligencia; (ix) excepto en los casos indicados anteriormente,

las partes consumibles como filtros y lámparas no están incluidas y son responsabilidad del comprador; (x) fines comerciales, empresariales, de alquiler o cualquier otro propósito que no sea el uso residencial por parte del consumidor; (xi) variaciones en el color a causa de diferencias entre las partes pintadas, iluminación de la cocina, ubicación del producto y otros factores;

No garantizamos un funcionamiento ininterrumpido y sin fallas del producto.

4. ¿CUÁLES SON LAS LIMITACIONES DEL SERVICIO DE GARANTÍA A DOMICILIO?

El servicio a domicilio está sujeto a disponibilidad y no está disponible en todas las áreas de Canadá. El servicio a domicilio solo se proporcionará si el producto no está obstruido y es fácilmente accesible desde el nivel del piso para el personal de servicio. Si la reparación no se puede completar durante el servicio a domicilio o si el servicio a domicilio no está disponible en su área, es posible que deba entregar el producto a un centro de servicio autorizado de Dacor para recibir el servicio de garantía. El comprador pagará el costo de transporte del producto hacia y desde un centro de servicio autorizado de Dacor, a menos que decidamos proporcionar ese transporte a nuestra discreción.

Para recibir el servicio a domicilio, el comprador debe comunicarse con el servicio de atención al cliente de Dacor a fin de determinar la naturaleza del problema y conocer los procedimientos del servicio. Todas las reparaciones bajo garantía a domicilio deben ser realizadas por un centro de servicio autorizado de Dacor. Debe presentarnos un comprobante de compra válido al momento de solicitar el servicio y antes de que se presten los servicios de garantía.

Garantía y Servicio

Cuando el servicio a domicilio no está disponible, el comprador debe devolver el producto a un centro de servicio autorizado de Dacor para su análisis. Para obtener ayuda sobre dónde entregar el producto, comuníquese con nuestro centro de atención al cliente. El costo de transporte del producto hacia o desde el centro de servicio autorizado correrá a cargo del comprador.

5. ¿CUÁLES SON LOS LÍMITES DE NUESTRA RESPONSABILIDAD?

SALVO LO EXPRESAMENTE ESTABLECIDO EN LA PRESENTE GARANTÍA LIMITADA, NUESTRA RESPONSABILIDAD ESTÁ SUJETA A LAS SIGUIENTES LIMITACIONES:

(A) EL COMPRADOR ACEPTA EL PRODUCTO “TAL CUAL” Y NO OFRECEMOS GARANTÍA ALGUNA NI REPRESENTACIÓN DE NINGÚN TIPO CON RESPECTO AL PRODUCTO.

(B) NO EXISTEN CONDICIONES, EXPRESAS O IMPLÍCITAS, ESTATUTARIAS O DE OTRO TIPO, CON RESPECTO AL PRODUCTO

(C) EN PARTICULAR, Y SIN LIMITAR LA GENERALIDAD DE LOS PÁRRAFOS (A) Y (B) ANTERIORES, NO OFRECEMOS GARANTÍA, CONDICIÓN O REPRESENTACIÓN ALGUNA CON RESPECTO A NINGUNO DE LOS SIGUIENTES PUNTOS: (i) LA COMERCIABILIDAD DEL PRODUCTO O SU IDONEIDAD PARA CUALQUIER PROPÓSITO O USO EN PARTICULAR; (ii) TITULARIDAD O NO INFRACCIÓN; (iii) DISEÑO, ESTADO, CALIDAD O RENDIMIENTO DEL PRODUCTO; (iv) LA MANO DE OBRA DEL PRODUCTO O DE LOS COMPONENTES CONTENIDOS EN EL MISMO; (v) CUMPLIMIENTO DEL PRODUCTO CON LOS REQUISITOS DE CUALQUIER LEY, REGLA, ESPECIFICACIÓN O CONTRATO RELATIVO AL PRODUCTO.

(D) NINGÚN CONTENIDO DE CUALQUIER MANUAL DE INSTRUCCIONES O MANUAL DEL PROPIETARIO CONSTITUIRÁ UNA GARANTÍA EXPRESA DE NINGÚN TIPO CON RESPECTO AL PRODUCTO.

LAS DISPOSICIONES QUE SE ENCUENTRAN EN LOS PÁRRAFOS (E) Y (F) A CONTINUACIÓN NO SE APLICAN EN CIRCUNSTANCIAS EN LAS QUE LA PRESENTE GARANTÍA LIMITADA SE RIGE POR LAS LEYES DE LA PROVINCIA DE QUEBEC.

(E) TODAS LAS GARANTÍAS Y CONDICIONES IMPLÍCITAS QUE PUEDAN SURGIR POR APLICACIÓN DE LA LEY, INCLUIDA CUALQUIER GARANTÍA IMPLÍCITA APLICABLE O CONDICIÓN DE COMERCIABILIDAD O ADECUACIÓN PARA UN PROPÓSITO EN PARTICULAR, ESTÁN LIMITADAS A LA MISMA DURACIÓN DE TIEMPO QUE LA PRESENTE GARANTÍA LIMITADA. ALGUNAS PROVINCIAS PROHÍBEN LAS LIMITACIONES A LA DURACIÓN DE UNA GARANTÍA IMPLÍCITA, Y LA LIMITACIÓN A LA DURACIÓN DE LA GARANTÍA IMPLÍCITA NO SE APLICARÁ EN LA MEDIDA EN QUE DICHA LIMITACIÓN ESTÉ PROHIBIDA POR LA LEY PROVINCIAL APLICABLE.

(F) NO SEREMOS RESPONSABLES POR DAÑOS DE NINGÚN TIPO (INCLUYENDO, SIN LIMITACIÓN, CUALQUIER DAÑO INCIDENTAL, ESPECIAL, CONSECUENTE O SIMILAR QUE RESULTE O SURJA DIRECTA O INDIRECTAMENTE DE CUALQUIERA DE LOS SIGUIENTES CASOS: (i) LA COMPRA, USO O MAL USO DEL PRODUCTO; (ii) CUALQUIER PÉRDIDA DE USO DEL PRODUCTO O INCAPACIDAD DE USAR EL PRODUCTO; (iii) CUALQUIER INCUMPLIMIENTO DE LA GARANTÍA EXPRESA; (iv) CUALQUIER PÉRDIDA DE GANANCIAS O BENEFICIOS PREVISTOS; (v) CUALQUIER PÉRDIDA DE ALIMENTOS O CONSUMIBLES; (vi) CUALQUIER AGRAVIO (INCLUYENDO NEGLIGENCIA O NEGLIGENCIA GRAVE) O FALTA COMETIDA POR NOSOTROS, SUS AGENTES O EMPLEADOS; (vii) CUALQUIER INCUMPLIMIENTO DE CONTRATO; (viii) CUALQUIER RECLAMO PRESENTADO CONTRA EL COMPRADOR POR CUALQUIER OTRA PARTE. ALGUNAS PROVINCIAS PROHÍBEN LA EXCLUSIÓN O LIMITACIÓN DE DAÑOS INCIDENTALES O CONSECUENTES, Y LA EXCLUSIÓN ANTERIOR DE DAÑOS INCIDENTALES O CONSECUENTES NO SE APLICARÁ EN LA MEDIDA EN QUE DICHA EXCLUSIÓN ESTÉ PROHIBIDA POR LA LEY PROVINCIAL APLICABLE.

(G) ESTA GARANTÍA LE OTORGA DERECHOS LEGALES ESPECÍFICOS E INCLUSO PUEDE OTORGARLE OTROS DERECHOS, QUE VARÍAN DE UNA PROVINCIA A OTRA. LA PRESENTE GARANTÍA LIMITADA INDICA EL RECURSO EXCLUSIVO DEL COMPRADOR. SALVO DONDE LO PROHÍBE LA LEY PROVINCIAL APLICABLE, LA PRESENTE GARANTÍA LIMITADA NO ES TRANSFERIBLE SIN NUESTRO CONSENTIMIENTO EXPRESO.

Garantía y Servicio

(H) SI CUALQUIER PARTE DE ESTA GARANTÍA LIMITADA SE CONSIDERA ILEGAL O IMPOSIBLE DE APLICAR POR MOTIVO DE CUALQUIER LEY, DICHA ILEGALIDAD PARCIAL O IMPOSIBILIDAD DE APLICACIÓN NO AFECTARÁ LA EJECUCIÓN DEL RESTO DE LA PRESENTE GARANTÍA LIMITADA.

Si el producto se compra a un revendedor o distribuidor no autorizado o se compra fuera de Canadá, la presente garantía limitada no se aplica, salvo que se apliquen las limitaciones anteriores especificadas en las Secciones 5(A) a 5(I).

Garante en Canadá: Samsung Electronics Canada Inc., Mississauga, ON, L5N 0B9 Canadá

FUERA DE ESTADOS UNIDOS Y CANADÁ:

GARANTÍA LIMITADA AL PRIMER AÑO

Si su producto Dacor deja de funcionar antes de que transcurra un año a partir de la fecha de compra original debido a un defecto en los materiales o la mano de obra, Dacor proporcionará una nueva pieza, F.O.B. de fábrica, para reemplazar la pieza defectuosa.

Los costos de entrega, instalación y laborales, así como otros cargos de servicio, son responsabilidad del comprador.

Notes

Contact Dacor

If you have any questions or comments relating to Dacor appliances, please contact the Dacor Customer Service Center.

Country	Contact Center	Web Site
U.S.A.	1-833-353-5483	www.dacor.com
CANADA	1-844-509-4659	www.dacor.com