



**MODEL • MODÈLE • MODELO**  
**DOM014401G1**

<b>24" OVER THE RANGE SENSOR MICROWAVE INSTALLATION MANUAL.....</b>	<b>1 - 22</b>
<b>MICRO-ONDES DE CUISSON À CAPTEUR DE 24" AU-DESSUS DE LA PLAGE MANUEL D'INSTALLATION.....</b>	<b>23 - 44</b>
<b>MICROONDAS DE COCCIÓN CON SENSOR DE 24" SOBRE EL RANGO MANUAL DE INSTALACIÓN.....</b>	<b>45 - 66</b>

DANBY PRODUCTS LIMITED, ONTARIO, CANADA N1H 6Z9  
DANBY PRODUCTS INC., FINDLAY, OHIO, USA 45840



# IMPORTANT SAFETY INSTRUCTIONS

## READ AND FOLLOW ALL SAFETY INSTRUCTIONS

### RADIO FREQUENCY INTERFERENCE

This equipment generates and uses ISM frequencies and if not installed and used properly in strict accordance with the manufacturer's instructions, it may cause interference to radio and television reception. It has been type-tested and found to comply with limits for ISM Equipment pursuant to Part 18 of FCC Rules, which are designed to provide reasonable protection against such interference in a residential installation.

However, there is no guarantee that interference will not occur in particular installations. If this equipment does cause interference to radio or television reception, which can be determined by turning the equipment off and on, the interference can be corrected by one or more of the following methods:

- Reorient the receiving antenna of radio or television.
- Move the microwave oven away from the receiver.
- Plug the microwave into a different outlet so that microwave and receiver are on different branch circuits.

The manufacturer is not responsible for any radio or TV interference caused by unauthorized modification of this appliance. It is the responsibility of the user to correct such interference.

### AVOID POSSIBLE EXPOSURE TO EXCESSIVE MICROWAVE ENERGY

- Do not attempt to operate the appliance with the door open as this can result in harmful exposure to microwave energy. Do not tamper with or attempt to defeat the safety locks.
- Do not place any object between the front face and the door or allow soil or cleaner residue to accumulate on the sealing surfaces.
- Do not operate the appliance if it is damaged. The door must close properly and there must be no damage to the hinges, latches, door, door seals or sealing surfaces.

### GROUNDING INSTRUCTIONS

This appliance must be grounded. In the event of an electrical short circuit, grounding reduces the risk of electrical shock by providing an escape wire for the electrical current.

This appliance is equipped with a cord that has a grounding wire with a grounding plug. The power cord must be plugged into an outlet that is properly grounded. If the outlet is a standard 2-prong wall outlet, it is your responsibility to have it replaced with a properly grounded 3-prong wall outlet. The serial rating plate indicates the voltage and frequency the appliance is designed for.

**WARNING** - Improper use of the grounding plug can result in a risk of electric shock. Consult a qualified electrician or service agent if the grounding instructions are not completely understood, or if doubt exists as to whether the appliance is properly grounded.

### DO NOT USE AN EXTENSION CORD

Do not connect your appliance to extension cords or together with another appliance in the same wall outlet. Do not splice the power cord. Do not under any circumstances cut or remove the third ground prong from the power cord.

If the power supply cord is damaged, it must be replaced by the manufacturer, its service agent or similar qualified person in order to avoid hazard.

**SAVE THESE INSTRUCTIONS!**



# **IMPORTANT SAFETY INSTRUCTIONS**

## **READ AND FOLLOW ALL SAFETY INSTRUCTIONS**

### **SAFETY INSTRUCTIONS**

- Ensure that component parts are replaced with like components and that servicing is done by factory authorized service personnel, to minimize the risk of possible ignition due to incorrect parts or improper service.
- Check the appliance for damage before using. If there is any damage to the appliance, do not use it, return it to its point of purchase or contact consumer care.
- The appliance must be placed on a flat, stable surface that is able to hold its weight and the heaviest food likely to be placed in the appliance.
- Do not use this appliance where heat, moisture or high humidity are generated.
- Do not clean this appliance with or use near combustible materials.
- Children should be supervised to ensure that they do not play with the appliance.
- This appliance is specifically designed to heat, cook or dry food. It is not designed for industrial or laboratory use.
- Do not store or use this appliance outdoors. Do not use this appliance near water.
- Do not overcook food. Carefully watch the appliance when it is in use.
- Remove wire twist-ties before placing items in the appliance.
- Do not use the appliance for storage purposes. Do not leave items inside the appliance when not in use.
- Do not heat oil or fat for deep frying as it is difficult to control the temperature of oil in a microwave.
- Some items such as whole eggs or sealed containers have the possibility of exploding when heated and should not be placed in this appliance.
- Do not operate any heating or cooking appliance beneath this appliance.
- Ensure that the glass tray and rollers are in the correct position before use to avoid possible spills.
- Do not operate this appliance when it is empty as this will increase the heat around the magnetron and can damage the appliance or cause a fire.
- If items inside the appliance should ignite, keep the door closed, turn the appliance off and disconnect the power cord.
- Do not operate the appliance without the glass tray, roller support and shaft in their correct positions.

**SAVE THESE INSTRUCTIONS!**



# IMPORTANT SAFETY INSTRUCTIONS

## READ AND FOLLOW ALL SAFETY INSTRUCTIONS

### SAFETY - SUPERHEATED LIQUID

Liquids are able to be overheated beyond the boiling point without appearing to be boiling due to the surface tension of the liquid. Visible bubbling will not always be present when the liquid is removed from the appliance. This could result in very hot liquids suddenly boiling over when a utensil or other item such as a tea bag is inserted into the liquid.

To reduce the risk of injury:

- Do not overheat liquids. Do not heat any liquid for more than 2 minutes per cup.
- Stir liquids before and halfway through heating.
- Do not use straight-sided containers with narrow necks as this can cause a build up of steam.
- Superheated liquid can begin to spontaneously boil when removed from the microwave. After heating, allow the liquid to stand in the microwave for 30 seconds before removing.
- Use extreme care when inserting a utensil or other item into hot liquids.
- The contents of milk bottles and baby food jars should be stirred or shaken and the temperature checked before serving in order to avoid burns.
- Do not defrost frozen beverages, especially carbonated beverages, in this appliance as they could explode.
- Hot foods and steam can cause burns. Be careful when opening any container that has been heated in the appliance. Direct the opening away from hands and face to avoid burns.

### SAFETY - ARCING

Arcing refers to sparks inside the microwave while it is in operation. Arcing is caused by:

- Metal or foil inside the appliance.
- Recycled paper towels being used inside the appliance, as these can contain small pieces of metal.

If arcing is present, stop operation and remove any metal or paper towels from the appliance.

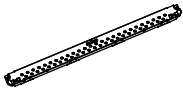
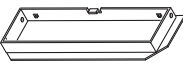
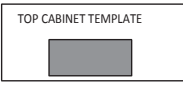
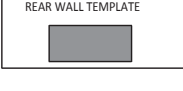
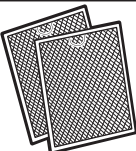
Oven capacity:	38 L 1.4 cu. ft.
Turntable diameter:	ø 325 mm ø 12.8 in
External dimensions:	60.6 x 44.5 x 42.4 cm 23.8 x 17.5 x 16.7 in
Net weight:	23.5 kg 51.8 lbs
Rated voltage:	120 V ~ 60 Hz

**SAVE THESE INSTRUCTIONS!**

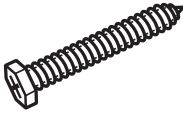

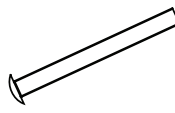


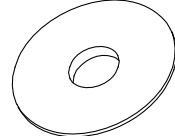
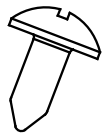
# INSTALLATION INSTRUCTIONS

- Remove all packing materials from the inside and outside of the appliance. Do not remove the cardboard mica sheet covering the magnetron.
- Check the appliance for damage before using, such as a misaligned or bent door, damaged door seals, broken or loose door hinges or latches, or dents inside the cavity or on the door. If there is any damage to the appliance, do not use it, return it to its point of purchase or contact consumer care.
- The mounting surface must be capable of supporting the cabinet load in addition to the added weight of this microwave, approximately 22.6 - 31.7 kg (50 - 70 pounds), plus additional oven loads of up to 22.6 kg (50 pounds) for a total weight of 45.2 - 54.3 kg (100 - 120 pounds).
- This appliance cannot be installed in cabinet arrangements such as an island or peninsula. It must be mounted to both a top cabinet and a wall.
- Do not clean this appliance with or use near combustible materials.
- Do not block any ventilation openings on the appliance.
- Do not operate the appliance without the glass tray, roller support and shaft in their correct positions.
- Make sure the shelf is positioned properly inside the microwave to prevent damage from arcing. Do not use the microwave with the shelf on the floor of the microwave. Do not use the shelf when cooking popcorn. Always use pot holders when removing the shelf as it may be hot.

## PARTS INCLUDED



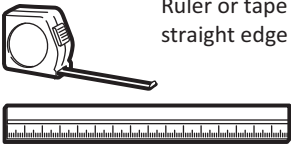
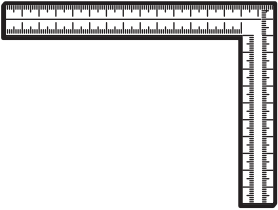

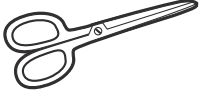
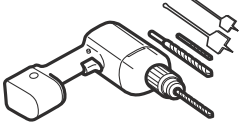




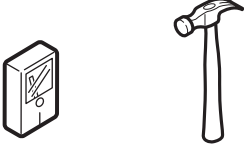
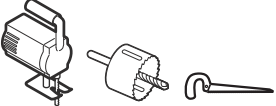

PART		QTY
	Mounting plate	1
	Exhaust adapter	1
	Top cabinet template	1
	Rear wall template	1
	Extra grease filters	2

## INSTALLATION ACCESSORIES

PART		QTY
	Wood screw (1/4" x 2")	2
	Wing nut	2
	Machine screw (3/16" x 3")	2
	Self aligning machine screw (1/4"-20 x 3")	2
	Nylon grommet (for metal cabinets)	1
	Washer	2
	Sheet metal screw	2

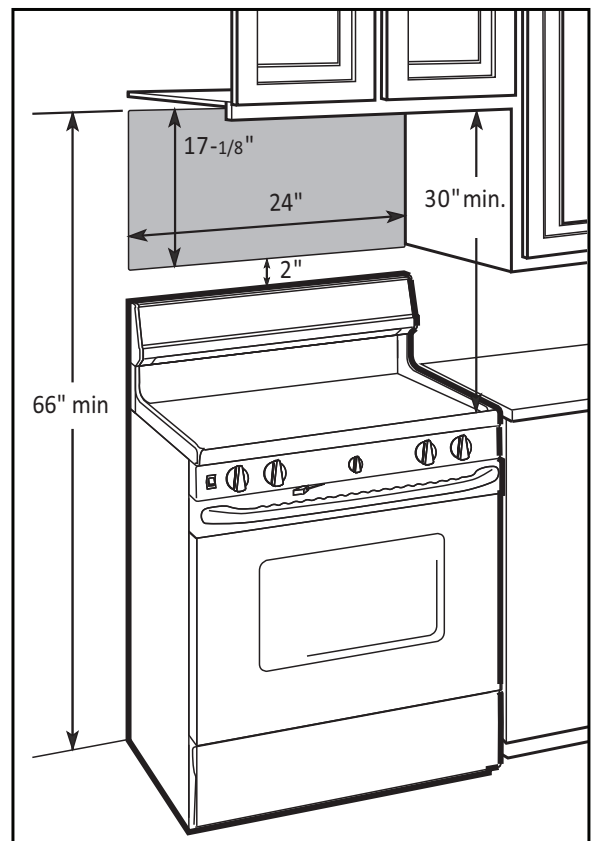
# INSTALLATION INSTRUCTIONS

## REQUIRED TOOLS

 <p>#1 and #2 Phillips screwdrivers</p>	 <p>Pencil</p>	 <p>Ruler or tape measure straight edge</p>	 <p>Carpenter square (optional)</p>
 <p>Tin snips (to cut damper, if needed)</p>	 <p>Scissors (to cut template, if needed)</p>	 <p>Electric drill with 3/16", 1/2" and 5/8" bits</p>	 <p>Filler blocks or scrap wood pieces (for top cabinet spacing in recessed bottom cabinet installations, if needed)</p>
 <p>Gloves</p>	 <p>Safety goggles</p>	 <p>Duct and masking tape</p>	 <p>Edge-to-edge stud finder or hammer (optional)</p>
 <p>Saw (saber, hole, or keyhole)</p>	 <p>Level</p>		

## LOCATION

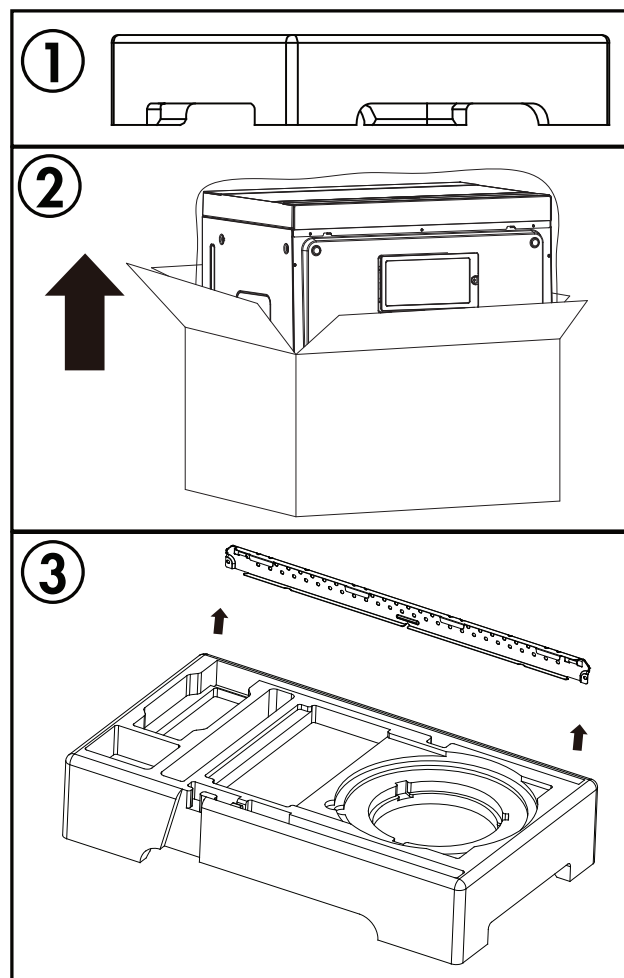
- The space between the cabinets must be 30" wide and free of obstructions.
- If the space between the cabinets is greater than 30", use filler material to fill the gap between the microwave oven and the cabinets.
- This microwave is for installation over ranges up to 24" wide.
- If installing the microwave beneath smooth, flat cabinets, be sure to follow the instructions for power cord clearance.



# INSTALLATION INSTRUCTIONS

## UNPACKING THE APPLIANCE

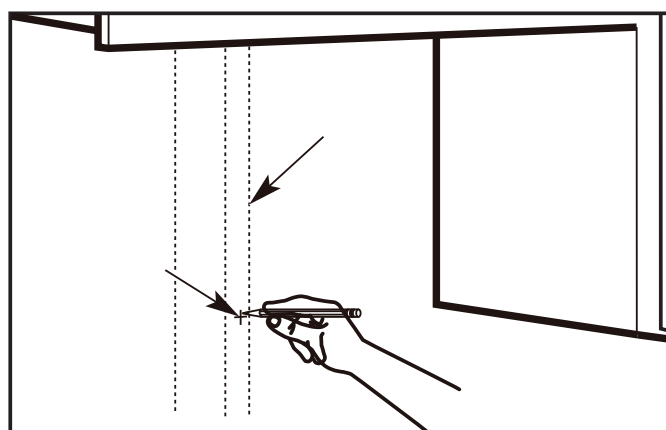
1. Open the carton and remove the upper foam from the box. Keep the accessories.
2. Remove the microwave from the carton and remove the plastic bag.
3. Remove the mounting bracket from the upper foam.



## FINDING THE WALL STUDS

1. Use a stud finder to locate the wall stud. If a stud finder is not available, use a hammer to tap lightly on the wall to find a solid sound. This sound indicates the location of the wall stud.
2. Find the center of the wall stud by probing the wall with a small nail to find the edges of the stud. Draw a line down the center of the wall stud.

**Note:** The microwave must be connected to at least one wall stud.

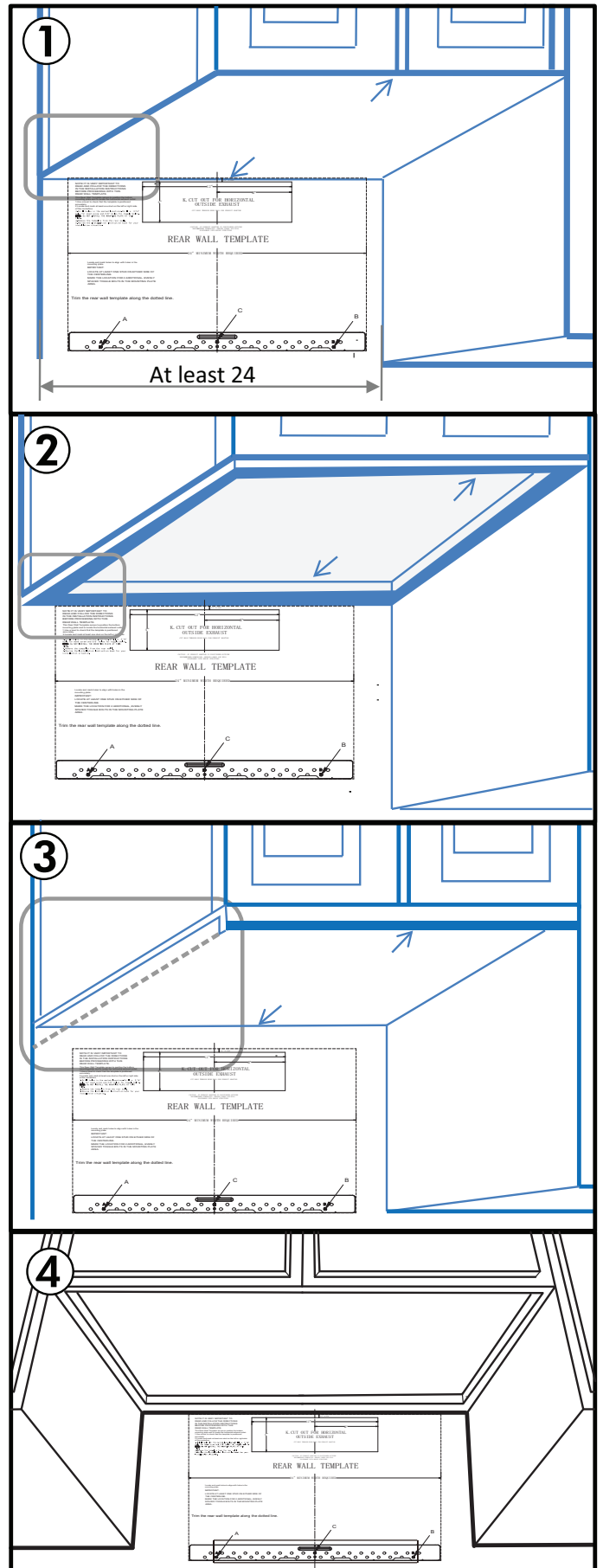


# INSTALLATION INSTRUCTIONS

## USING THE INSTALLATION TEMPLATE

There are three different types of cabinetry that will change how the rear wall template should be used to determine where to install the mounting bracket.

- 1. Flat bottomed cabinet:** The top of the template should align with the bottom of the cabinet.
- 2. Framed recessed cabinet:** The top of the template should align with the back frame of the cabinet bottom.
- 3. Framed recessed bottom cabinet with front overhang:** The top of the template should align with the front overhang. It may be helpful to measure the overhang, then measure the same distance from the bottom of the cabinet and mark that spot.
- 4. Aligning the center line of the rear wall template:** Measure the space where the microwave will be installed and find the center line. Mark this line with a pencil and straight edge. Align the center line of the template with the center line on the wall.





## INSTALLATION INSTRUCTIONS

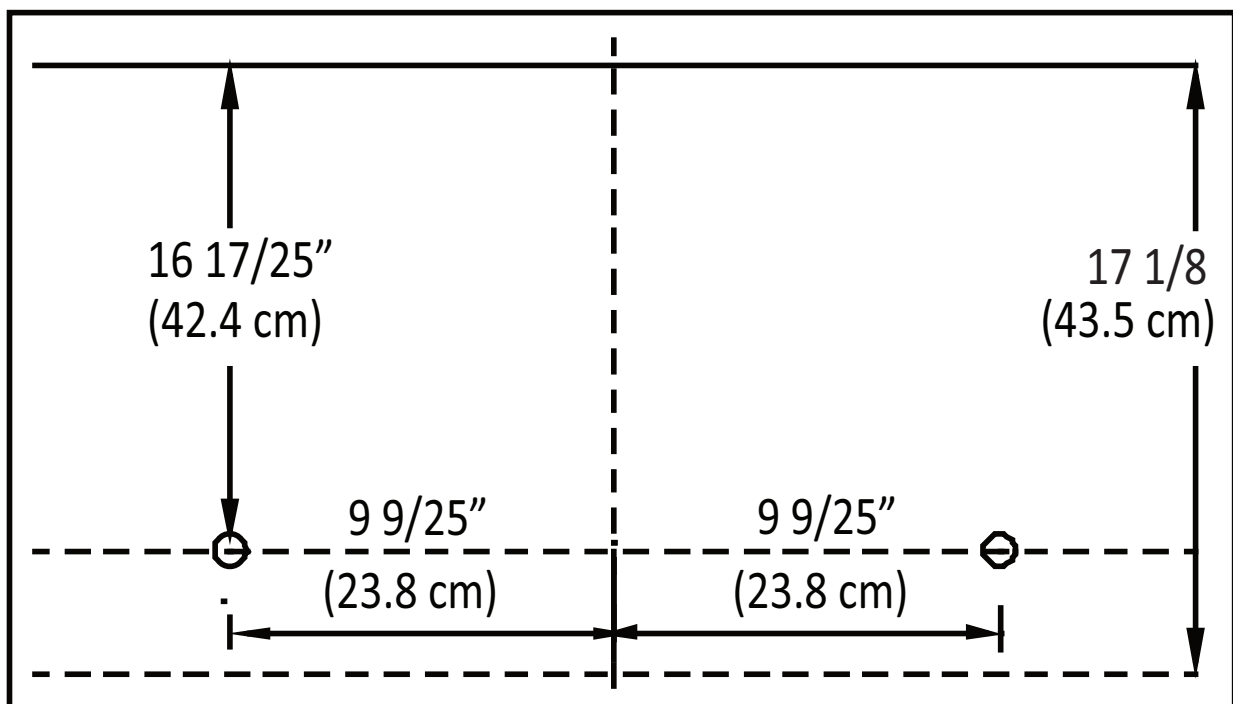
### TEMPLATE DAMAGED OR UNUSABLE

If the template arrives damaged or cannot be used, measure and mark the wall with these dimensions. Remember that the microwave must be level.

The bottom edge of the mounting plate must be  $17 \frac{1}{8}$ " (43.5 cm) from the bottom edge of the upper cabinet.

The mounting plate holes must be  $16 \frac{17}{25}$ " (42.4 cm) from the bottom edge of the upper cabinet and must be in line with each other. Each hole must be  $9 \frac{9}{25}$ " (23.8 cm) from the center line.

Mark the template location on the wall but do not install the template yet. The exhaust duct work must be installed first.



### NOTES

Any decorative trim on the cabinetry or wall should be removed before installing the microwave.

Use a level to ensure that the template is level before marking the wall. The microwave must be level to ensure proper functioning.

At least three screws must be used to install the mounting plate. At least one of those screws must be in a wall stud.

Tape the mounting template to the wall and then mark the three screw holes at the bottom of the template. Remove the template and double check the marked holes with the actual mounting plate to ensure that they match.

# INSTALLATION INSTRUCTIONS

## HOOD EXHAUST

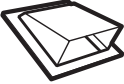


This microwave is designed for adaptation to three types of ventilation: outside top exhaust, outside back exhaust and non-venting ductless recirculation. Use the following duct instructions if the appliance will be vented to the outside.

For satisfactory air movement, the total duct length of 3 1/4" x 10" rectangular or 6" round duct should not exceed 140 equivalent feet.

Elbows, transitions, wall caps and roof caps present additional resistance to airflow and are equivalent to a section of straight duct which is longer than the actual physical size. When calculating the total duct length add the equivalent lengths of all transitions and adapters plus the length of all straight duct sections. The chart below is an example of one possible installation configuration.

### OUTSIDE TOP EXHAUST (EXAMPLE ONLY)

The following chart describes an example of one possible ductwork installation.

DUCT PIECES		EQUIVALENT LENGTH	X	NUMBER USED	=	EQUIVALENT LENGTH
	Roof cap	24 ft	X	(1)	=	24 ft
	12 ft. straight duct (6" round)	12 ft	X	(1)	=	12 ft
	Rectangular to round transition adapter	5 ft	X	(1)	=	5 ft
<b>TOTAL LENGTH</b>					<b>=</b>	<b>41 ft</b>


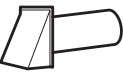


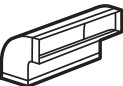
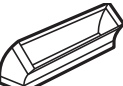
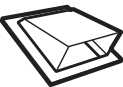

**IMPORTANT:** If a rectangular to round transition adapter is used, the bottom corners of the damper must be cut to fit using tin snips to allow free movement of the damper.

**IMPORTANT:** It is important that venting be installed using the most direct route with as few elbows as possible. This ensures clear venting of exhaust and helps prevent blockages. Make sure dampers swing freely and nothing is blocking the ducts.

# INSTALLATION INSTRUCTIONS

## DUCT LENGTH CALCULATOR

Use the chart below to calculate the total length of the duct work being installed. The total length should not exceed 140 feet.

DUCT PIECES		EQUIVALENT LENGTH	X	NUMBER USED	=	EQUIVALENT LENGTH
	Rectangular to round transition adapter	5 ft	X	(     )	=	ft
	Wall cap	40 ft	X	(     )	=	ft
	Round 90° elbow	10 ft	X	(     )	=	ft
	Round 45° elbow	5 ft	X	(     )	=	ft
	Rectangular 90° elbow	25 ft	X	(     )	=	ft
	Rectangular 45° elbow	5 ft	X	(     )	=	ft
	Roof cap	24 ft	X	(     )	=	ft
	Straight duct 6" round or 3 1/4" x 10" rectangular	1 ft	X	(     )	=	ft
<b>TOTAL LENGTH</b>					<b>=</b>	ft

## INSTALLATION INSTRUCTIONS - OUTSIDE TOP EXHAUST

Use these instructions if the appliance will be vented to the outside through the top of the appliance.

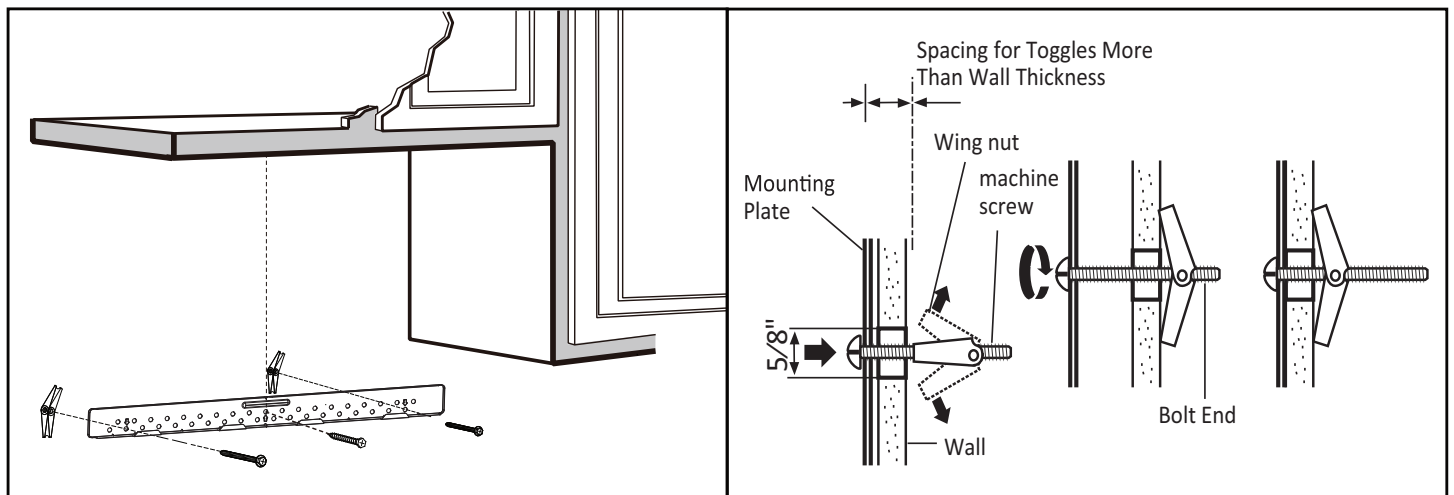
### Install the mounting plate

Use a 5/8" drill to make two holes that will enter the drywall. Use a 3/16" drill to make a hole that will enter a wall stud. Use the mounting template to decide the location of the holes. At least one hole must enter a wall stud.

Insert the machine screws into the mounting plate through the holes designed to go into drywall and attach the wing nuts 3/4" onto each machine screw.

Place the mounting plate against the wall and insert the wing nuts into the holes in the wall. The wing nuts will open on the other side of the wall to secure the screw.

Do not place a wing nut on the screw that will go into the wall stud. Insert a wood screw through the mounting plate and into the wall stud. Tighten all screws.



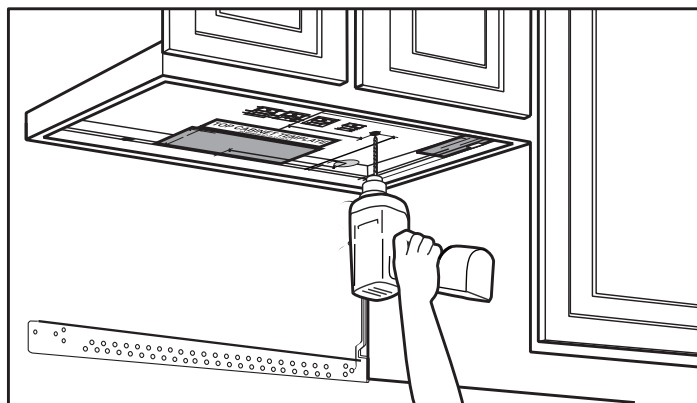
## INSTALLATION INSTRUCTIONS - OUTSIDE TOP EXHAUST

### Using the top cabinet template

There are instructions on the top cabinet template that detail how it should be used.

Tape the top cabinet template to the under side of the cabinet where the microwave will be installed.

Drill holes for the top support screws, a hole large enough for the power cord to fit through and a cutout large enough for the exhaust adapter.

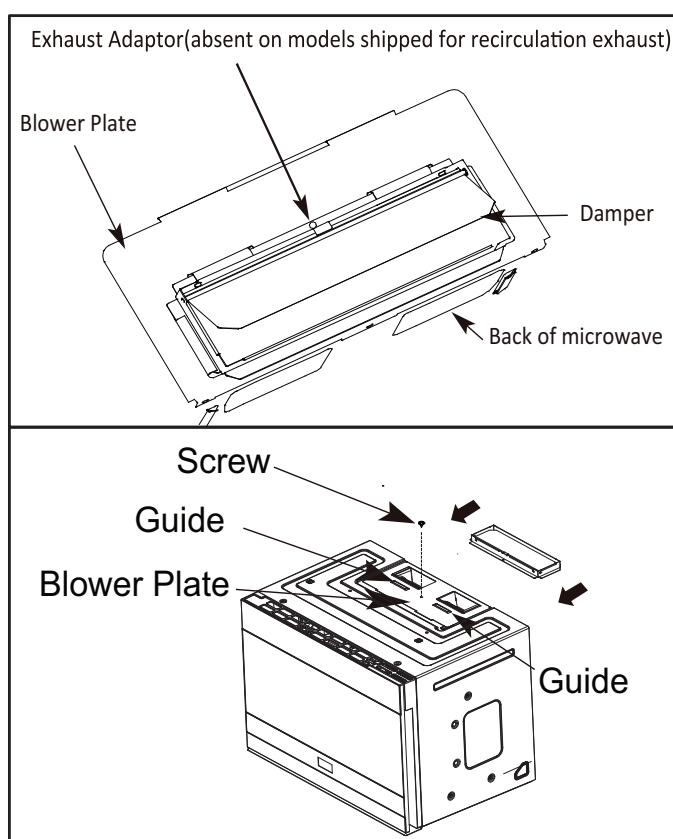


### Check for proper damper operation

Place the microwave in its upright position with the top of the appliance facing up.

Make sure the tape securing the damper is removed and the damper pivots easily before mounting the microwave.

Attach the exhaust adapter to the blower plate by sliding it into the guides. Secure the adapter with one sheet metal screw.



# INSTALLATION INSTRUCTIONS - OUTSIDE TOP EXHAUST

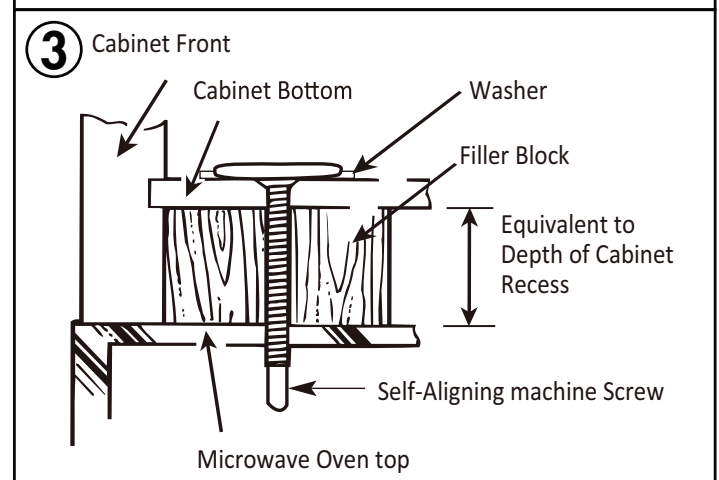
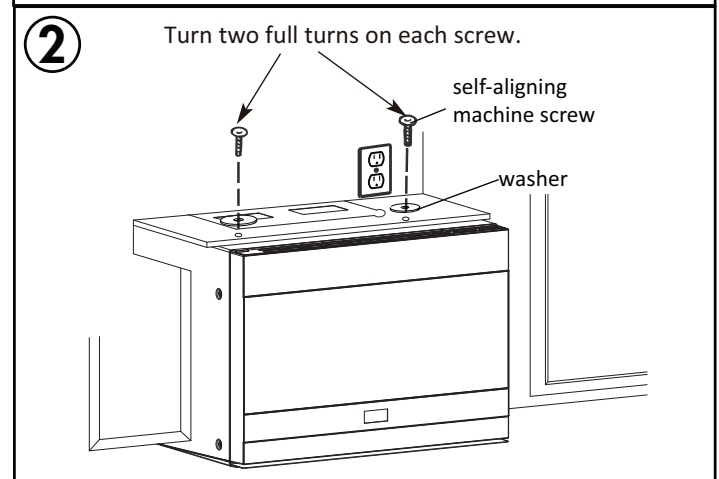
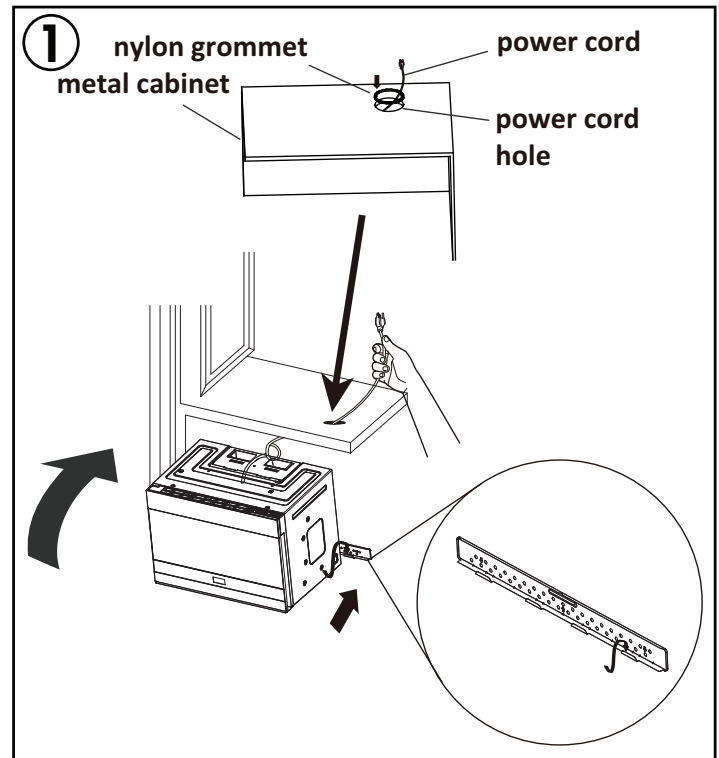
## Mounting the microwave oven

Two people should be used to install the microwave. Do not grip or use the handle during installation.

If the surrounding cabinets are metal, use the nylon grommet around the power cord hole to prevent damage to the cord.

When mounting the microwave, thread the power cord through the hole in the cabinet. Keep the cord tight when mounting the microwave to ensure the cord does not get pinched. Do not lift the microwave by the cord.

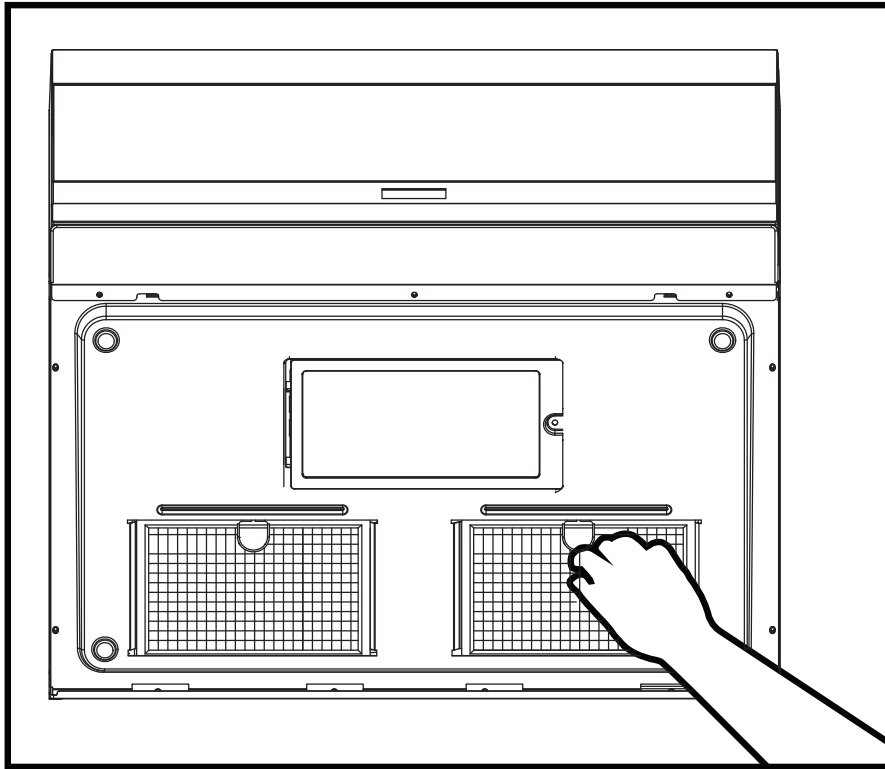
1. Lift the microwave, tilt it forward and hook the slots on the back of the microwave onto the lower tabs of the mounting plate. Rotate the front of the microwave against the bottom of the cabinet.
2. Insert two self-aligning machine screws with washers through the top cabinet holes and tighten two turns.
3. If the cabinet has an overhang, insert the wood filler blocks before completely tightening the screws.



## INSTALLATION INSTRUCTIONS - OUTSIDE TOP EXHAUST

### Install grease filters

Slide the grease filters into the openings in the bottom of the microwave until they click into place. The appliance should not be operated without the grease filters installed.



### Connecting ductwork

Adjust the exhaust adapter inside the cabinet so it can connect to the house duct.

Extend the house duct down to connect to the exhaust adapter.

Use duct tape to seal the exhaust duct joints.

## INSTALLATION INSTRUCTIONS - OUTSIDE BACK EXHAUST

Use these instructions if the appliance will be vented to the outside through the back of the appliance.

Cut a 12" x 4" square hole in the rear wall for the outside exhaust. Follow the instructions included on the rear template.

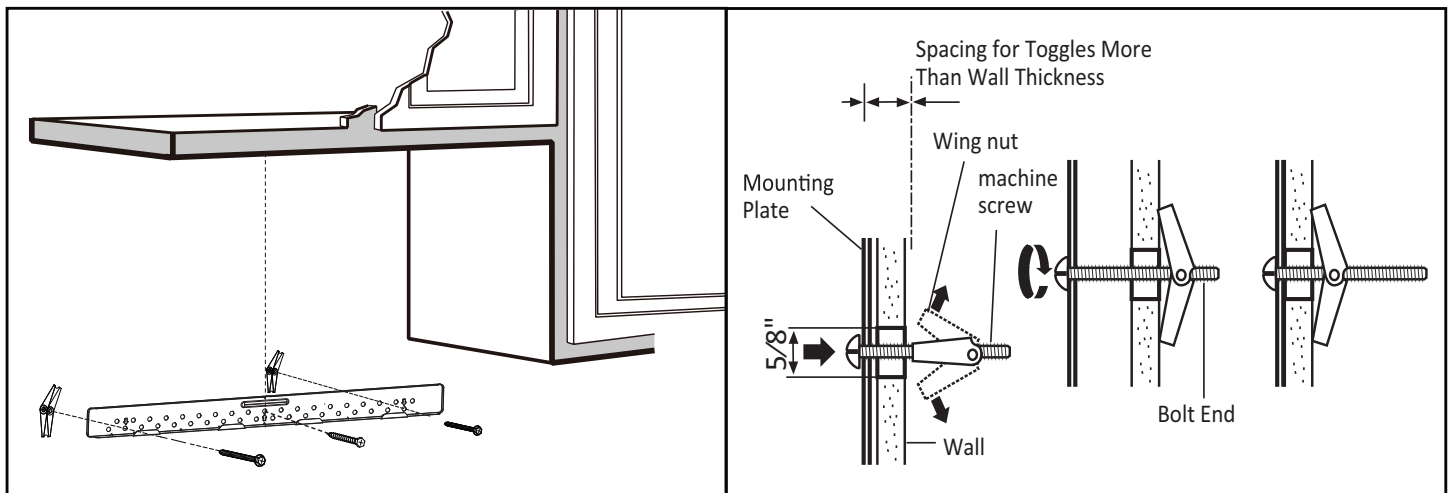
### Install the mounting plate

Use a 5/8" drill to make two holes that will enter the drywall. Use a 3/16" drill to make a hole that will enter a wall stud. Use the mounting template to decide the location of the holes. At least one hole must enter a wall stud.

Insert the machine screws into the mounting plate through the holes designed to go into drywall and attach the wing nuts 3/4" onto each machine screw.

Place the mounting plate against the wall and insert the wing nuts into the holes in the wall. The wing nuts will open on the other side of the wall to secure the screw.

Do not place a wing nut on the screw that will go into the wall stud. Insert a wood screw through the mounting plate and into the wall stud. Tighten all screws.





# INSTALLATION INSTRUCTIONS - OUTSIDE BACK EXHAUST

## Using the top cabinet template

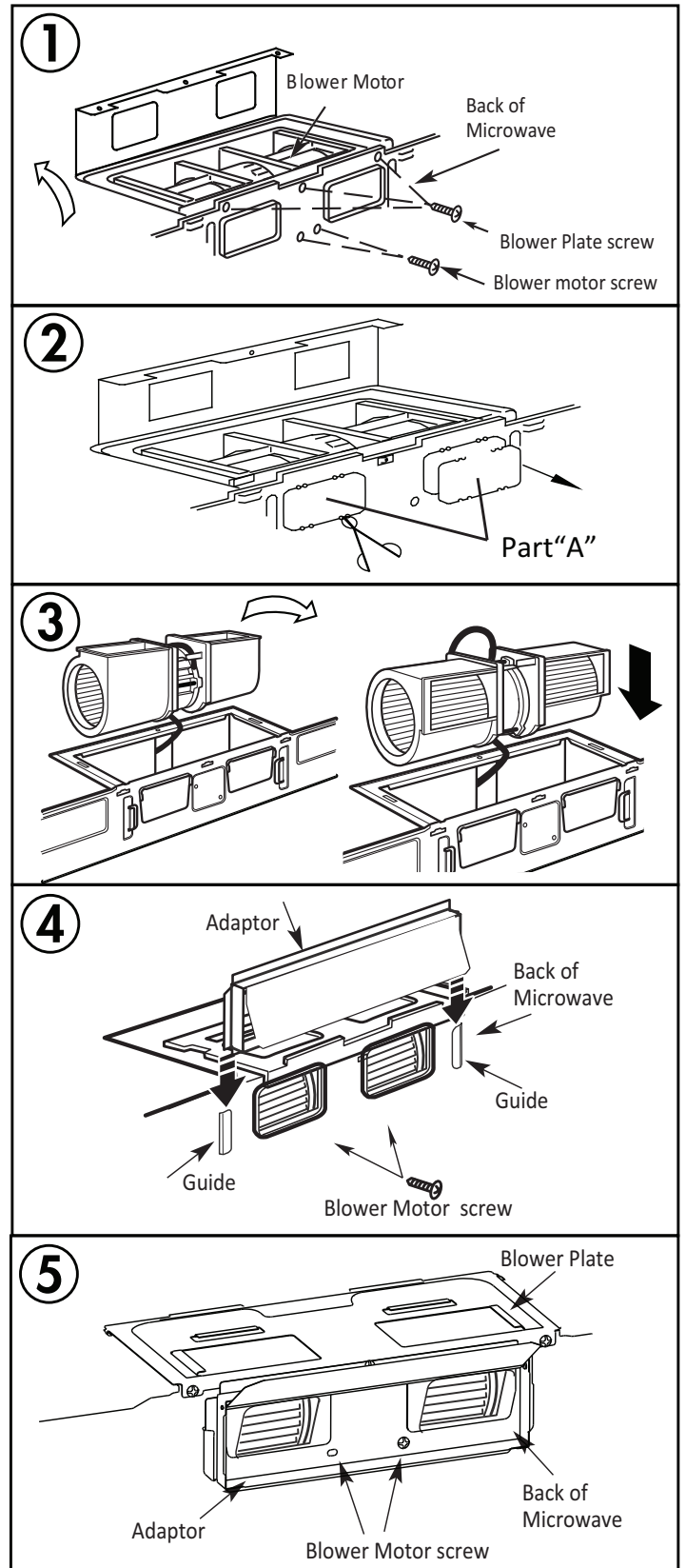
There are instructions on the top cabinet template that detail how it should be used.

Tape the top cabinet template to the under side of the cabinet where the microwave will be installed.

Drill holes for the top support screws, a hole large enough for the power cord to fit through and a cutout large enough for the exhaust adapter.

## Adapting blower for back exhaust

1. Remove the screws that secure the blower motor. Lift up the blower plate.
2. Remove part A with tin snips or scissors.
3. Pull out the blower unit. Be careful not to stretch the wires and make sure the wires do not get pinched. Rotate the blower so that it faces toward the back and replace it in the appliance. The blower unit exhaust openings should match the exhaust openings on the rear of the microwave.
4. Close the blower plate. Attach the exhaust adaptor to the back of the microwave by sliding it into the guides at the top. Push in securely until the screw holes are visible. Ensure that the damper hinge is installed so that it is at the top and the damper swings freely.
5. Secure the blower motor with screws. Secure the blower plate with screws.



# INSTALLATION INSTRUCTIONS - OUTSIDE BACK EXHAUST

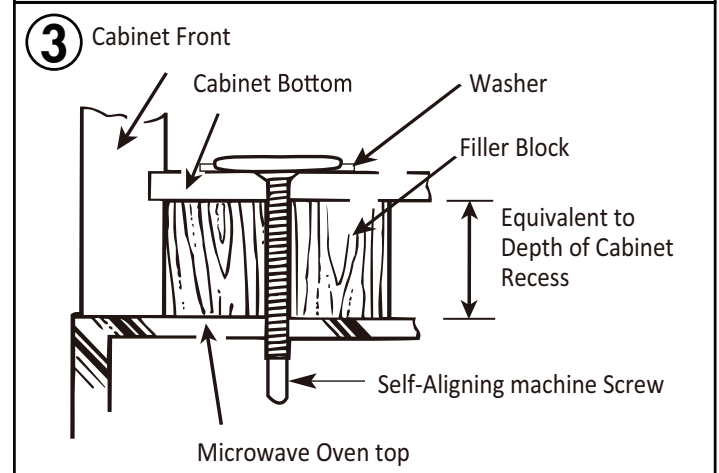
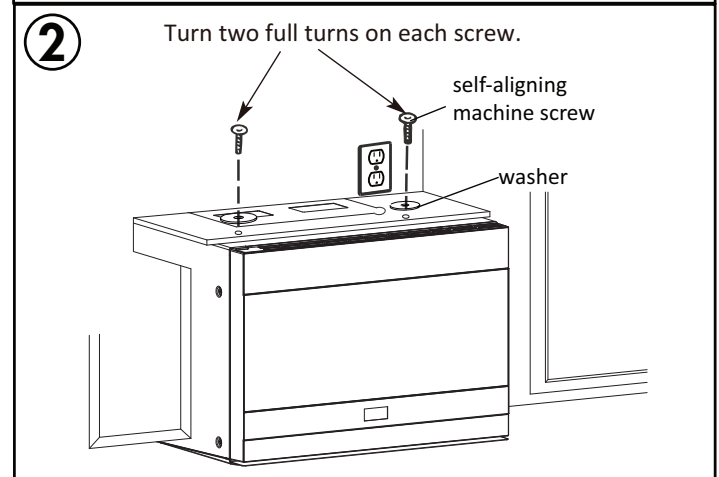
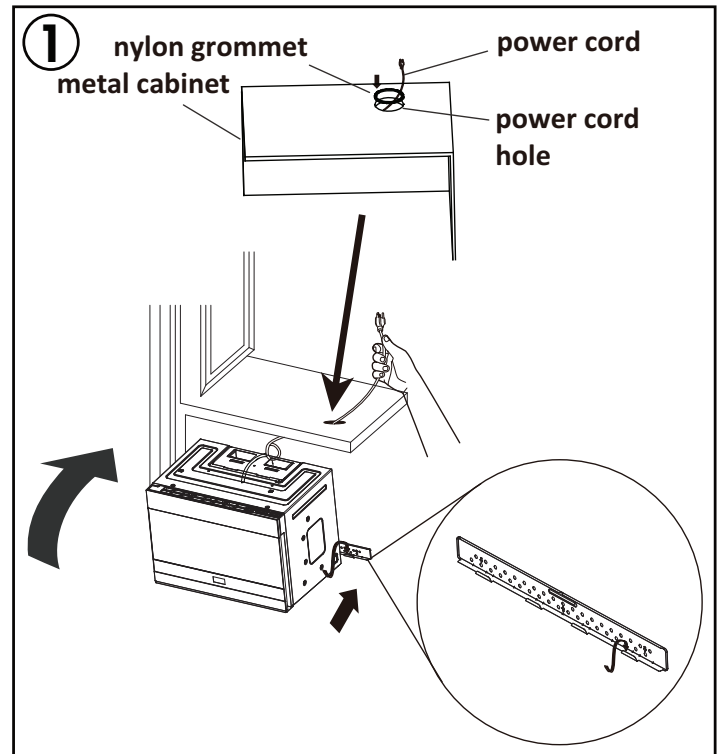
## Mounting the microwave oven

Two people should be used to install the microwave. Do not grip or use the handle during installation.

If the surrounding cabinets are metal, use the nylon grommet around the power cord hole to prevent damage to the cord.

When mounting the microwave, thread the power cord through the hole in the cabinet. Keep the cord tight when mounting the microwave to ensure the cord does not get pinched. Do not lift the microwave by the cord.

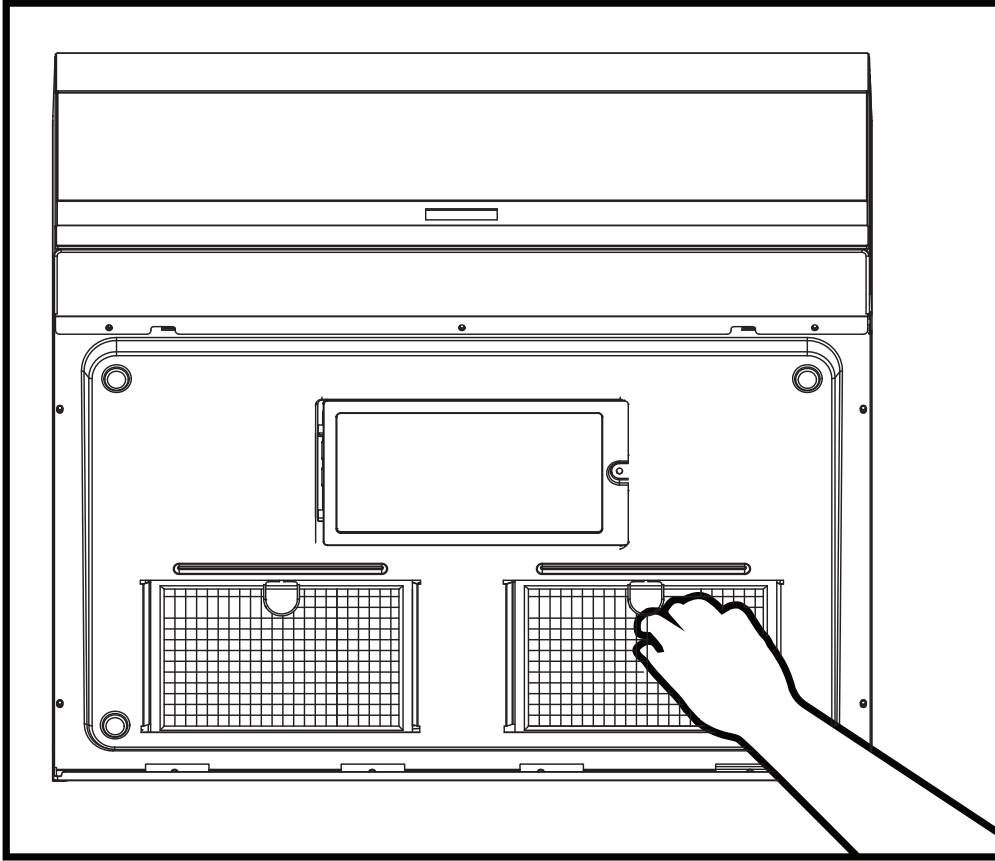
1. Lift the microwave, tilt it forward and hook the slots on the back of the microwave onto the lower tabs of the mounting plate. Rotate the front of the microwave against the bottom of the cabinet.
2. Insert two self-aligning machine screws with washers through the top cabinet holes and tighten two turns.
3. If the cabinet has an overhang, insert the wood filler blocks before completely tightening the screws.



## INSTALLATION INSTRUCTIONS - OUTSIDE BACK EXHAUST

### Install grease filters

Slide the grease filters into the openings in the bottom of the microwave until they click into place. The appliance should not be operated without the grease filters installed.



### Connecting ductwork

Adjust the exhaust adapter inside the cabinet so it can connect to the house duct.

Extend the house duct down to connect to the exhaust adapter.

Use duct tape to seal the exhaust duct joints.

## INSTALLATION INSTRUCTIONS - RECIRCULATING (NON-VENTED)

Use these instructions if the appliance will not be vented to the outside.

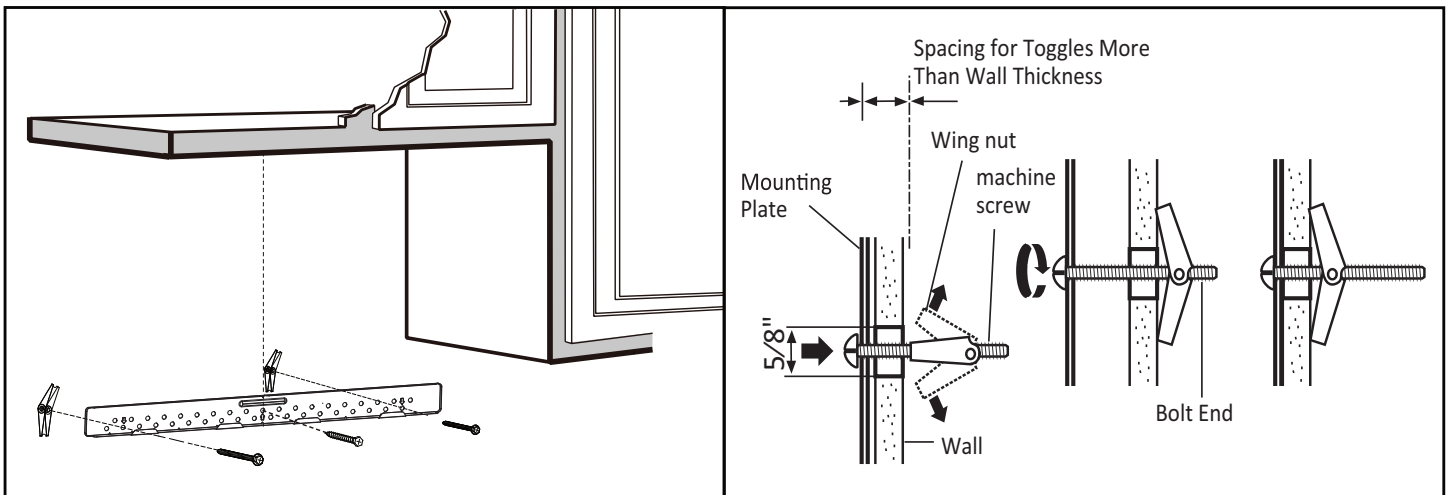
### Install the mounting plate

Use a 5/8" drill to make two holes that will enter the drywall. Use a 3/16" drill to make a hole that will enter a wall stud. Use the mounting template to decide the location of the holes. At least one hole must enter a wall stud.

Insert the machine screws into the mounting plate through the holes designed to go into drywall and attach the wing nuts 3/4" onto each machine screw.

Place the mounting plate against the wall and insert the wing nuts into the holes in the wall. The wing nuts will open on the other side of the wall to secure the screw.

Do not place a wing nut on the screw that will go into the wall stud. Insert a wood screw through the mounting plate and into the wall stud. Tighten all screws.

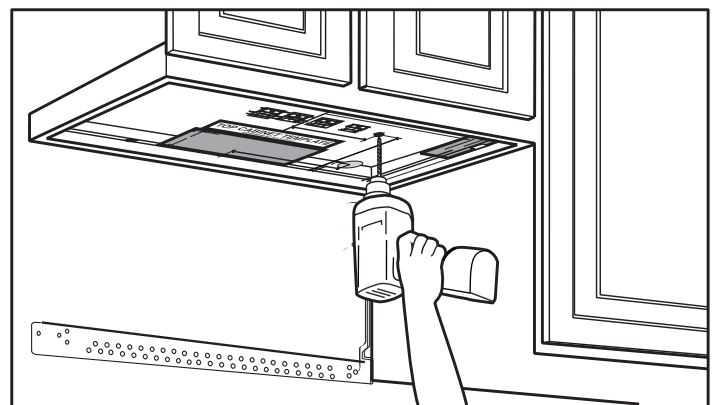


### Using the top cabinet template

There are instructions on the top cabinet template that detail how it should be used.

Tape the top cabinet template to the under side of the cabinet where the microwave will be installed.

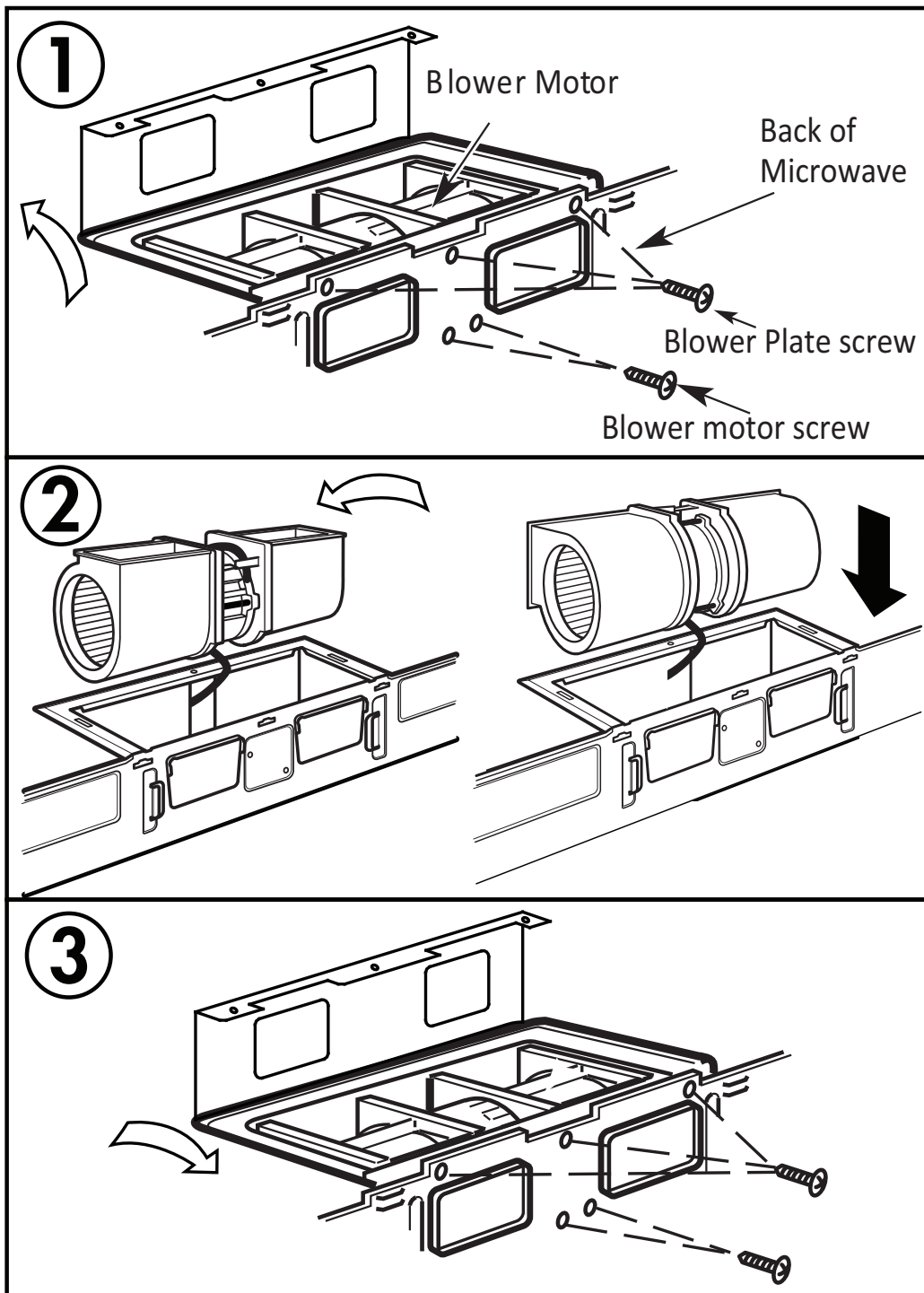
Drill holes for the top support screws, a hole large enough for the power cord to fit through and a cutout large enough for the exhaust adapter.



# INSTALLATION INSTRUCTIONS - RECIRCULATING (NON-VENTED)

## Adapting blower for recirculating exhaust

1. Remove the screws that secure the blower motor. Lift up the blower plate.
2. Pull out the blower unit. Be careful not to stretch the wires and make sure the wires do not get pinched. Rotate the blower so that it faces toward the front and replace it in the appliance.
3. Secure the blower motor with screws. Secure the blower plate with screws.



# INSTALLATION INSTRUCTIONS - RECIRCULATING (NON-VENTED)

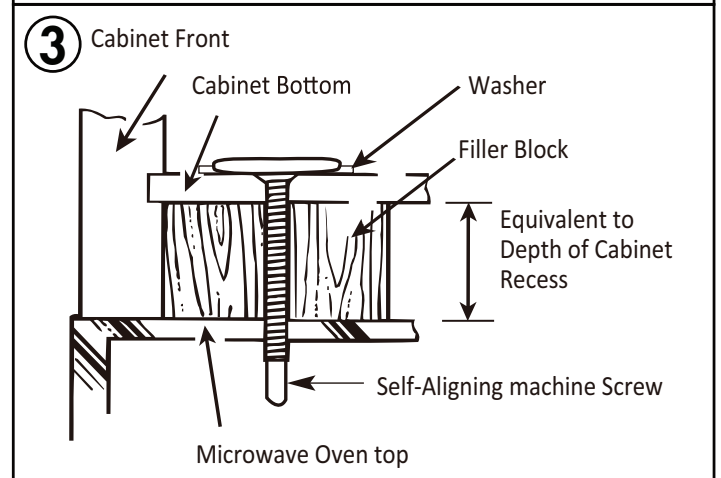
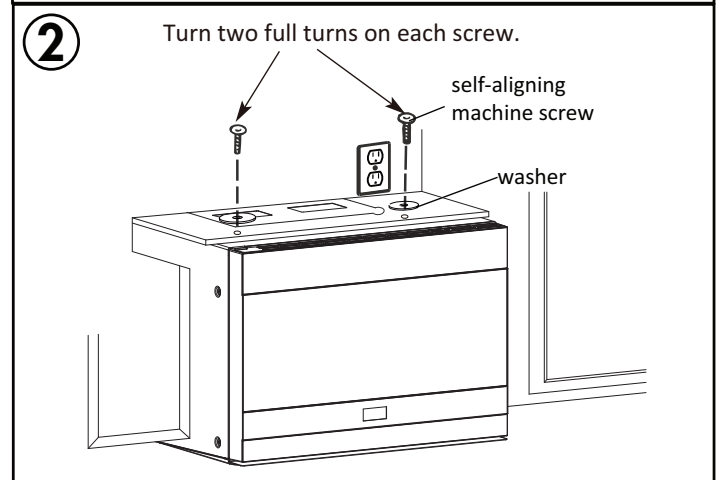
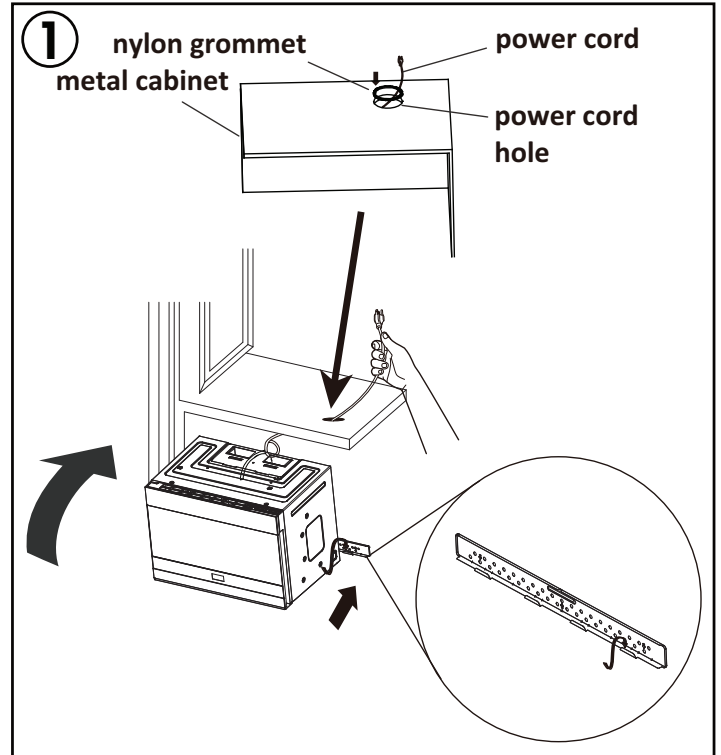
## Mounting the microwave oven

Two people should be used to install the microwave. Do not grip or use the handle during installation.

If the surrounding cabinets are metal, use the nylon grommet around the power cord hole to prevent damage to the cord.

When mounting the microwave, thread the power cord through the hole in the cabinet. Keep the cord tight when mounting the microwave to ensure the cord does not get pinched. Do not lift the microwave by the cord.

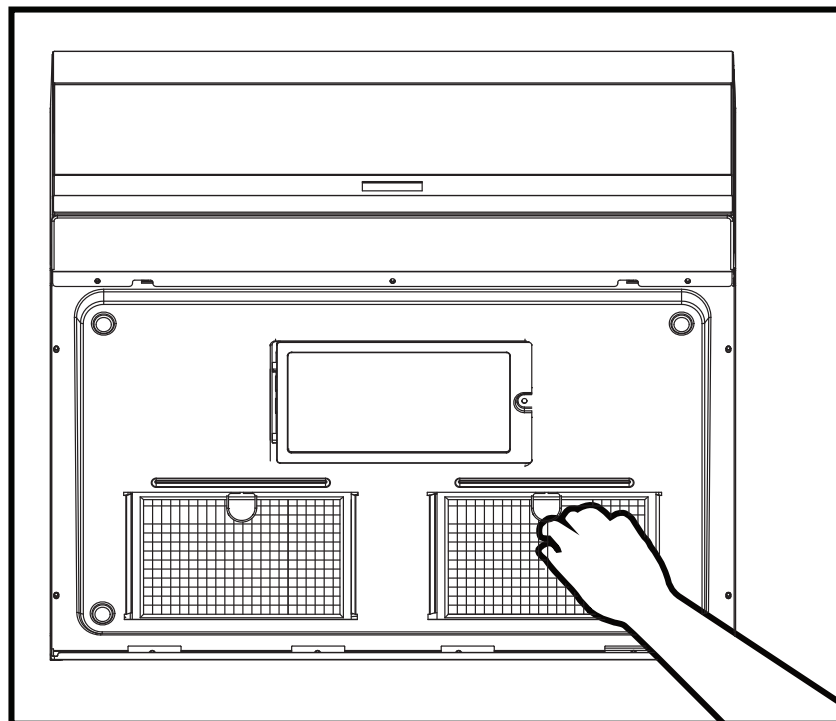
1. Lift the microwave, tilt it forward and hook the slots on the back of the microwave onto the lower tabs of the mounting plate. Rotate the front of the microwave against the bottom of the cabinet.
2. Insert two self-aligning machine screws with washers through the top cabinet holes and tighten two turns.
3. If the cabinet has an overhang, insert the wood filler blocks before completely tightening the screws.



# INSTALLATION INSTRUCTIONS - RECIRCULATING (NON-VENTED)

## Install grease filters

Slide the grease filters into the openings in the bottom of the microwave until they click into place. The appliance should not be operated without the grease filters installed.



## Air recirculation

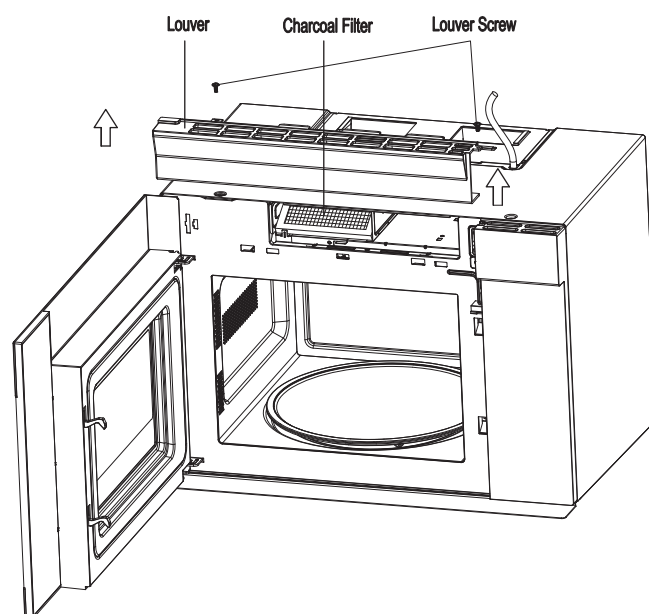
There is no duct work required for this type of installation. Air from the appliance will exhaust through the front vent and recirculate into the air in the room.

## Charcoal filter

The charcoal filter should be used in non-vented, recirculating installations. The filter should be changed every 6 to 12 months depending on use.

1. Remove the two screws securing the louver on the front of the microwave.
2. Remove the used charcoal filter.
3. Install the new charcoal filter. The wire mesh of the filter should be visible from the front.
4. Reinstall the louver.

To purchase replacement filters, either contact the consumer service department or visit [www.DanbyApplianceParts.com](http://www.DanbyApplianceParts.com) or [www.DanbyApplianceParts.ca](http://www.DanbyApplianceParts.ca)





# CONSIGNES DE SÉCURITÉ IMPORTANTES

## LIRE ET SUIVRE TOUTES LES CONSIGNES DE SÉCURITÉ

### INTERFÉRENCES DE FRÉQUENCE RADIO

Cet équipement génère et utilise des fréquences ISM et s'il n'est pas installé et utilisé correctement en stricte conformité avec les instructions du fabricant, il peut provoquer des interférences avec la réception radio et télévision. Il a été testé par type et déclaré conforme aux limites des équipements ISM conformément à la partie 18 des règles de la FCC, qui sont conçues pour fournir une protection raisonnable contre de telles interférences dans une installation résidentielle.

Cependant, il n'y a aucune garantie que des interférences ne se produiront pas dans des installations particulières. Si cet équipement cause des interférences à la réception radio ou télévision, ce qui peut être déterminé en allumant et éteignant l'équipement, l'interférence peut être corrigée par une ou plusieurs des méthodes suivantes :

- Réorientez l'antenne de réception de la radio ou de la télévision.
- Éloignez le four à micro-ondes du récepteur.
- Branchez le four à micro-ondes dans une prise différente afin que le four à micro-ondes et le récepteur soient sur des circuits de dérivation différents.

Le fabricant n'est pas responsable des interférences radio ou TV causées par une modification non autorisée de cet appareil. Il est de la responsabilité de l'utilisateur de corriger ces interférences.

### ÉVITER UNE ÉVENTUELLE EXPOSITION À UNE ÉNERGIE MICRO-ONDES EXCESSIVE

- N'essayez pas de faire fonctionner l'appareil avec la porte ouverte car cela peut entraîner une exposition nocive à l'énergie des micro-ondes. Ne pas altérer ou tenter de déjouer les verrous de sécurité.
- Ne placez aucun objet entre la face avant et la porte et ne laissez pas de saleté ou de résidus de nettoyage s'accumuler sur les surfaces d'étanchéité.
- Ne faites pas fonctionner l'appareil s'il est endommagé. La porte doit fermer correctement et les charnières, les loquets, la porte, les joints de porte ou les surfaces d'étanchéité ne doivent pas être endommagés.

### INSTRUCTIONS DE MISE À LA TERRE

Cet appareil doit être mis à la terre. En cas de court-circuit électrique, la mise à la terre réduit le risque de choc électrique en fournissant un fil d'échappement pour le courant électrique.

Cet appareil est équipé d'un cordon doté d'un fil de mise à la terre avec une fiche de mise à la terre. Le cordon d'alimentation doit être branché dans une prise correctement mise à la terre. Si la prise est une prise murale standard à 2 broches, il est de votre responsabilité de la faire remplacer par une prise murale à 3 broches correctement mise à la terre. La plaque signalétique de série indique la tension et la fréquence pour lesquelles l'appareil est conçu.

**AVERTISSEMENT** - Une mauvaise utilisation de la fiche de mise à la terre peut entraîner un risque de choc électrique. Consultez un électricien qualifié ou un agent de service si les instructions de mise à la terre ne sont pas complètement comprises ou si vous avez des doutes quant à la bonne mise à la terre de l'appareil.

### NE PAS UTILISER DE RALLONGE

Ne connectez pas votre appareil à des rallonges ou avec un autre appareil dans la même prise murale. Ne pas épisser le cordon d'alimentation. Ne coupez ou ne retirez en aucun cas la troisième broche de terre du cordon d'alimentation.

Si le cordon d'alimentation est endommagé, il doit être remplacé par le fabricant, son agent de service ou une personne qualifiée similaire afin d'éviter tout danger.

**CONSERVEZ CES INSTRUCTIONS !**





# CONSIGNES DE SÉCURITÉ IMPORTANTES

## LIRE ET SUIVRE TOUTES LES CONSIGNES DE SÉCURITÉ

### CONSIGNES DE SÉCURITÉ

- Assurez-vous que les composants sont remplacés par des composants similaires et que l'entretien est effectué par le personnel de service autorisé de l'usine, afin de minimiser le risque d'inflammation possible en raison de pièces incorrectes ou d'un entretien inapproprié.
- Vérifiez que l'appareil n'est pas endommagé avant de l'utiliser. Si l'appareil est endommagé, ne l'utilisez pas, rapportez-le à son point d'achat ou contactez le service à la clientèle.
- L'appareil doit être placé sur une surface plane et stable capable de supporter son poids et les aliments les plus lourds susceptibles d'être placés dans l'appareil.
- N'utilisez pas cet appareil là où de la chaleur, de l'humidité ou une humidité élevée sont générées.
- Ne pas nettoyer cet appareil avec ou utiliser à proximité de matériaux combustibles.
- Les enfants doivent être surveillés pour s'assurer qu'ils ne jouent pas avec l'appareil.
- Cet appareil est spécialement conçu pour chauffer, cuire ou sécher des aliments. Il n'est pas conçu pour une utilisation industrielle ou en laboratoire.
- Ne rangez pas et n'utilisez pas cet appareil à l'extérieur. N'utilisez pas cet appareil près de l'eau.
- Ne pas trop cuire les aliments. Surveillez attentivement l'appareil lorsqu'il est utilisé.
- Retirez les attaches métalliques avant de placer des articles dans l'appareil.
- N'utilisez pas l'appareil à des fins de stockage. Ne laissez aucun objet à l'intérieur de l'appareil lorsqu'il n'est pas utilisé.
- Ne chauffez pas l'huile ou la graisse pour la friture car il est difficile de contrôler la température de l'huile dans un micro-ondes.
- Certains articles tels que les œufs entiers ou les récipients scellés peuvent exploser lorsqu'ils sont chauffés et ne doivent pas être placés dans cet appareil.
- N'utilisez aucun appareil de chauffage ou de cuisson sous cet appareil.
- Assurez-vous que le plateau en verre et les rouleaux sont dans la bonne position avant utilisation pour éviter d'éventuels déversements.
- Ne faites pas fonctionner cet appareil lorsqu'il est vide car cela augmentera la chaleur autour du magnétron et pourrait endommager l'appareil ou provoquer un incendie.
- Si des objets à l'intérieur de l'appareil s'enflamment, gardez la porte fermée, éteignez l'appareil et débranchez le cordon d'alimentation.
- Ne faites pas fonctionner l'appareil sans que le plateau en verre, le support de rouleau et l'arbre ne soient correctement positionnés.

**CONSERVEZ CES INSTRUCTIONS !**



# CONSIGNES DE SÉCURITÉ IMPORTANTES

## LIRE ET SUIVRE TOUTES LES CONSIGNES DE SÉCURITÉ

### SÉCURITÉ - LIQUIDE SURCHAUFFÉ

Les liquides peuvent être surchauffés au-delà du point d'ébullition sans sembler bouillir en raison de la tension superficielle du liquide. Des bulles visibles ne seront pas toujours présentes lorsque le liquide est retiré de l'appareil. Cela pourrait entraîner des liquides très chauds qui débordent soudainement lorsqu'un ustensile ou un autre article tel qu'un sachet de thé est inséré dans le liquide.

Pour réduire le risque de blessure :

- Ne surchauffez pas les liquides. Ne chauffez aucun liquide plus de 2 minutes par tasse.
- Remuer les liquides avant et à mi-cuisson.
- N'utilisez pas de récipients à parois droites avec des cols étroits car cela peut provoquer une accumulation de vapeur.
- Un liquide surchauffé peut commencer à bouillir spontanément lorsqu'il est retiré du micro-ondes. Après le chauffage, laissez le liquide reposer au micro-ondes pendant 30 secondes avant de le retirer.
- Soyez extrêmement prudent lorsque vous insérez un ustensile ou un autre article dans des liquides chauds.
- Le contenu des biberons et des petits pots pour bébés doit être remué ou secoué et la température vérifiée avant de servir afin d'éviter les brûlures.
- Ne décongelez pas de boissons congelées, en particulier de boissons gazeuses, dans cet appareil car elles pourraient exploser.
- Les aliments chauds et la vapeur peuvent provoquer des brûlures. Soyez prudent lorsque vous ouvrez un récipient qui a été chauffé dans l'appareil. Dirigez l'ouverture loin des mains et du visage pour éviter les brûlures.

### SÉCURITÉ - ARC

La formation d'arc fait référence aux étincelles à l'intérieur du micro-ondes pendant son fonctionnement.

L'arc est causé par :

- Métal ou feuille à l'intérieur de l'appareil.
- Des serviettes en papier recyclées sont utilisées à l'intérieur de l'appareil, car elles peuvent contenir de petits morceaux de métal.

Si un arc est présent, arrêtez le fonctionnement et retirez tout métal ou essuie-tout de l'appareil.

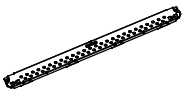
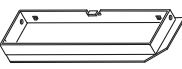
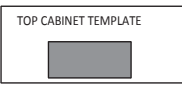
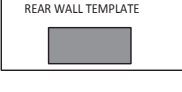
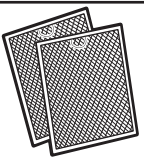
Capacité du four:	38 L 1.4 cu. ft.
Diamètre du plateau tournant:	ø 325 mm ø 12.8 in
Dimensions extérieures:	60.6 x 44.5 x 42.4 cm 23.8 x 17.5 x 16.7 in
Poids net:	23.5 kg 51.8 lbs
Tension nominale:	120 V ~ 60 Hz

**CONSERVEZ CES INSTRUCTIONS !**

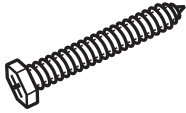

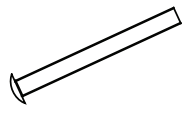


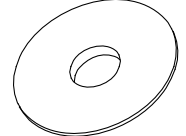
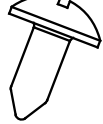
# INSTRUCTIONS D'INSTALLATION

- Retirez tous les matériaux d'emballage de l'intérieur et de l'extérieur de l'appareil. Ne retirez pas la feuille de mica en carton recouvrant le magnétron.
- Vérifiez que l'appareil n'est pas endommagé avant de l'utiliser, comme une porte mal alignée ou tordue, des joints de porte endommagés, des charnières ou des loquets de porte cassés ou desserrés, ou des bosses à l'intérieur de la cavité ou sur la porte. Si l'appareil est endommagé, ne l'utilisez pas, rapportez-le à son point d'achat ou contactez le service à la clientèle.
- La surface de montage doit être capable de supporter la charge de l'armoire en plus du poids supplémentaire de ce four à micro-ondes, environ 22,6 à 31,7 kg (50 à 70 livres), plus des charges de four supplémentaires allant jusqu'à 22,6 kg (50 livres) pour un poids total de 45,2 à 54,3 kg (100 à 120 livres).
- Cet appareil ne peut pas être installé dans des armoires telles qu'un îlot ou une péninsule. Il doit être monté à la fois sur une armoire supérieure et sur un mur.
- Ne pas nettoyer cet appareil avec ou utiliser à proximité de matériaux combustibles.
- N'obstruez aucune ouverture de ventilation sur l'appareil.
- Ne faites pas fonctionner l'appareil sans que le plateau en verre, le support de rouleau et l'arbre ne soient correctement positionnés.
- Assurez-vous que l'étagère est correctement positionnée à l'intérieur du micro-ondes pour éviter tout dommage causé par un arc électrique. N'utilisez pas le four à micro-ondes avec l'étagère sur le sol du four à micro-ondes. N'utilisez pas la grille lors de la cuisson du popcorn. Utilisez toujours des maniques pour retirer la clayette car elle peut être chaude.

## PIÈCES INCLUSES



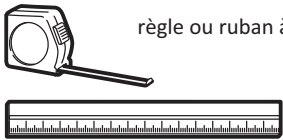
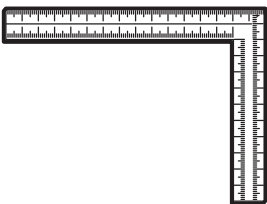


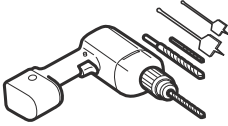




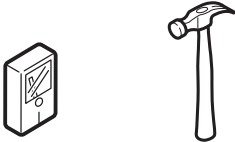
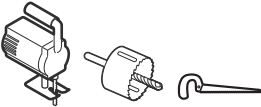

PARTIE		QTY
	Plaque de montage	1
	Adaptateur d'échappement	1
	Modèle d'armoire supérieure	1
	Gabarit de paroi arrière	1
	Filtres à graisse supplémentaires	2

## ACCESSOIRES DE POSE

PARTIE		QTY
	Vis à bois (1/4" x 2")	2
	Écrou papillon	2
	Vis mécanique (3/16" x 3")	2
	Vis mécanique à alignement automatique (1/4"-20 x 3")	2
	Passe-fil en nylon (pour les armoires métalliques)	1
	Rondelle	2
	Vis à tête	2

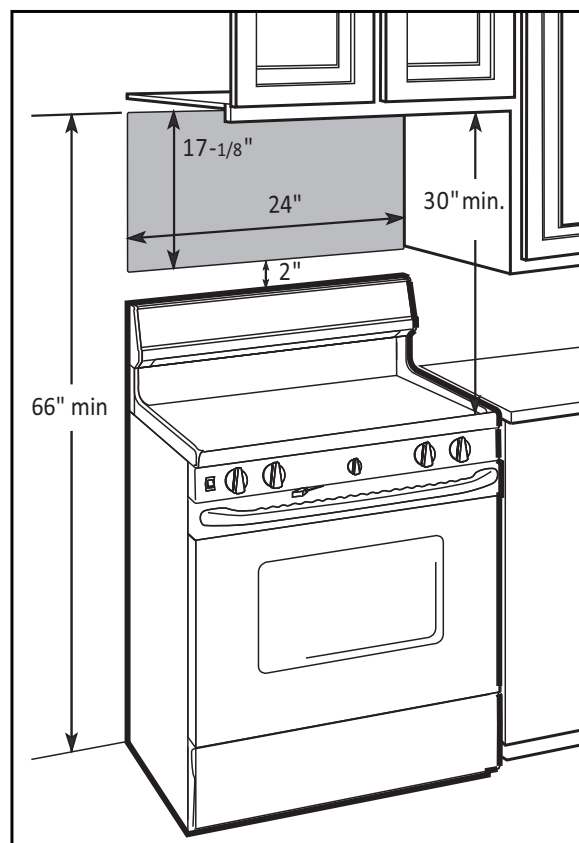
# INSTRUCTIONS D'INSTALLATION

## OUTILS REQUIS

 tournevis Phillipa #1 et #2	 crayon	 règle ou ruban à mesurer	 équerre de charpentier (facultatif)
 cisailles (pour couper l'amortisseur, si nécessaire)	 les ciseaux (pour découper le gabarit, si nécessaire)	 perceuse électrique avec embouts 3/16", 1/2" et 5/8"	 blocs de remplissage ou morceaux de bois (pour l'espacement des armoires supérieures dans les installations d'armoires inférieures encastrées, si nécessaire)
 des gants	 lunettes de sécurité	 du ruban adhésif et du ruban de masquage	 détecteur de montants bord à bord ou un marteau (facultatif)
 scie (sabre, trou ou trou de serrure)	 niveau		

## EMPLACEMENT

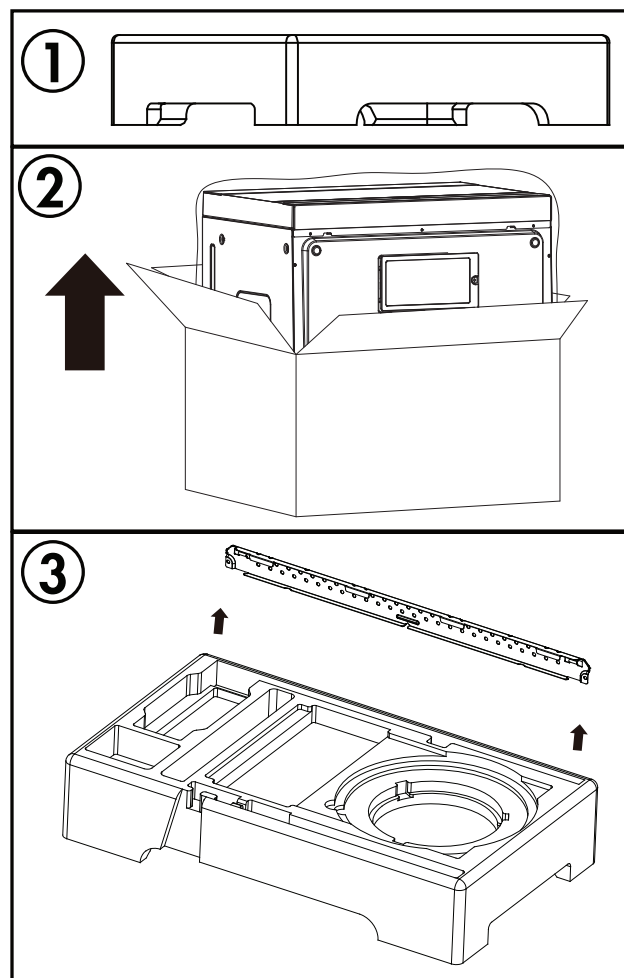
- L'espace entre les armoires doit être de 30" de large et libre de tout obstacle.
- Si l'espace entre les armoires est supérieur à 30 po, utilisez un matériau de remplissage pour combler l'espace entre le four à micro-ondes et les armoires.
- Ce four à micro-ondes est destiné à être installé sur des plages allant jusqu'à 24 pouces de large.
- Si vous installez le four à micro-ondes sous des armoires lisses et plates, assurez-vous de suivre les instructions relatives au dégagement du cordon d'alimentation.



# INSTRUCTIONS D'INSTALLATION

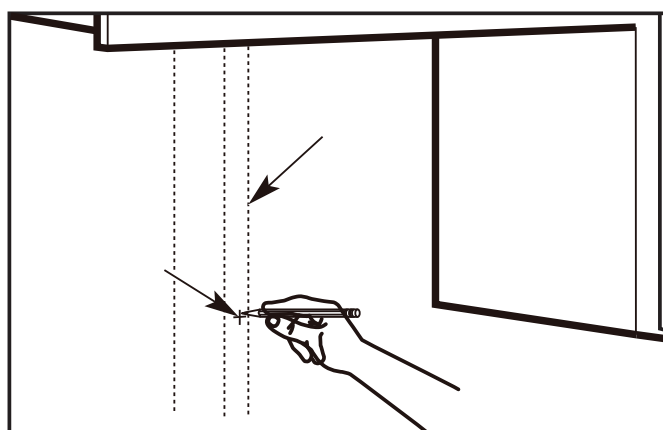
## DÉBALLAGE DE L'APPAREIL

1. Ouvrez le carton et retirez la mousse supérieure de la boîte. Gardez les accessoires.
2. Retirez le micro-ondes du carton et retirez le sac en plastique.
3. Retirez le support de montage de la mousse supérieure.



## TROUVER LES POTEAUX MURAUX

1. Utilisez un détecteur de montant pour localiser le montant du mur. Si un détecteur de montants n'est pas disponible, utilisez un marteau pour taper légèrement sur le mur pour trouver un son solide. Ce son indique l'emplacement du montant du mur.
2. Trouvez le centre du montant du mur en sondant le mur avec un petit clou pour trouver les bords du montant. Tracez une ligne au centre du montant du mur.



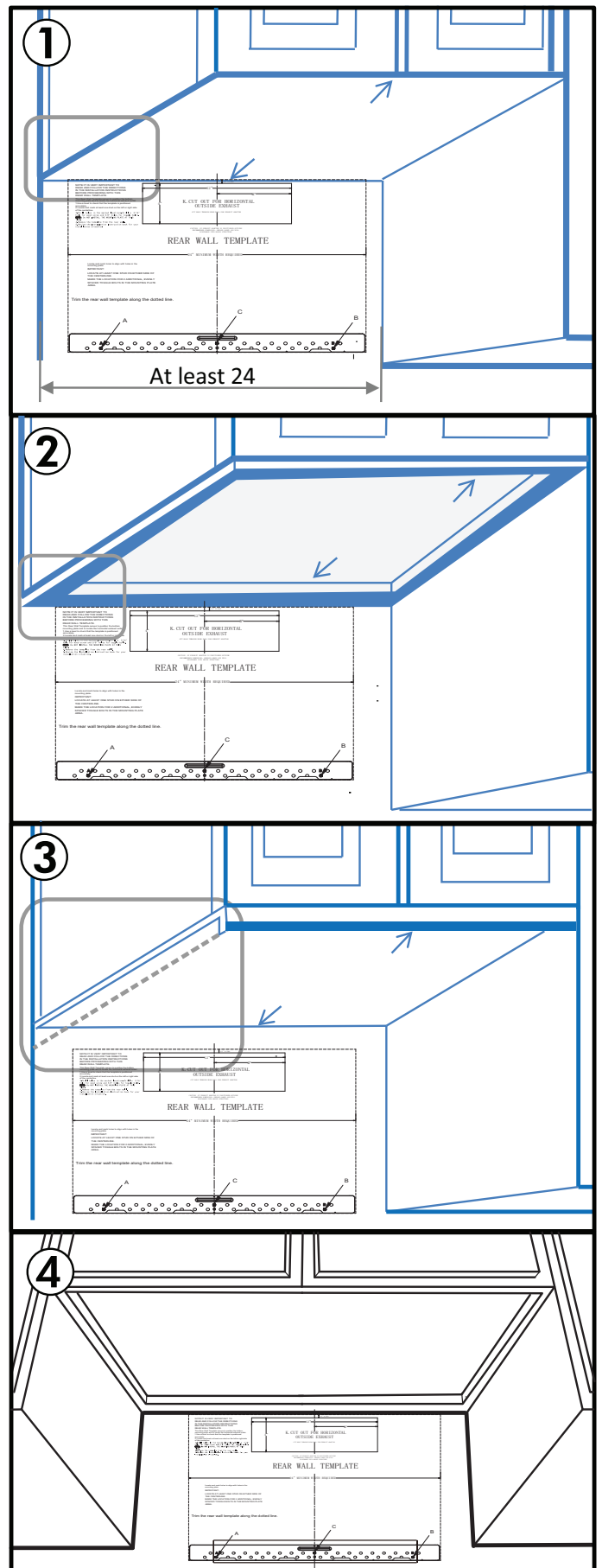
Remarque : Le micro-ondes doit être connecté à au moins un poteau mural.

# INSTRUCTIONS D'INSTALLATION

## UTILISATION DU MODÈLE D'INSTALLATION

Il existe trois types d'armoires différents qui modifieront la façon dont le modèle de mur arrière doit être utilisé pour déterminer où installer le support de montage.

- 1. Armoire à fond plat :** Le haut du gabarit doit être aligné avec le bas de l'armoire.
- 2. Armoire encastrée encadrée :** le haut du gabarit doit être aligné avec le cadre arrière du bas de l'armoire.
- 3. Armoire inférieure encastrée encadrée avec porte-à-faux avant :** Le haut du gabarit doit être aligné avec le porte-à-faux avant. Il peut être utile de mesurer le surplomb, puis de mesurer la même distance à partir du bas de l'armoire et de marquer cet endroit.
- 4. Alignement de la ligne médiane du gabarit du mur arrière :** Mesurez l'espace où le four à micro-ondes sera installé et trouvez la ligne médiane. Marquez cette ligne avec un crayon et une règle droite. Alignez la ligne centrale du gabarit avec la ligne centrale sur le mur.



## INSTRUCTIONS D'INSTALLATION

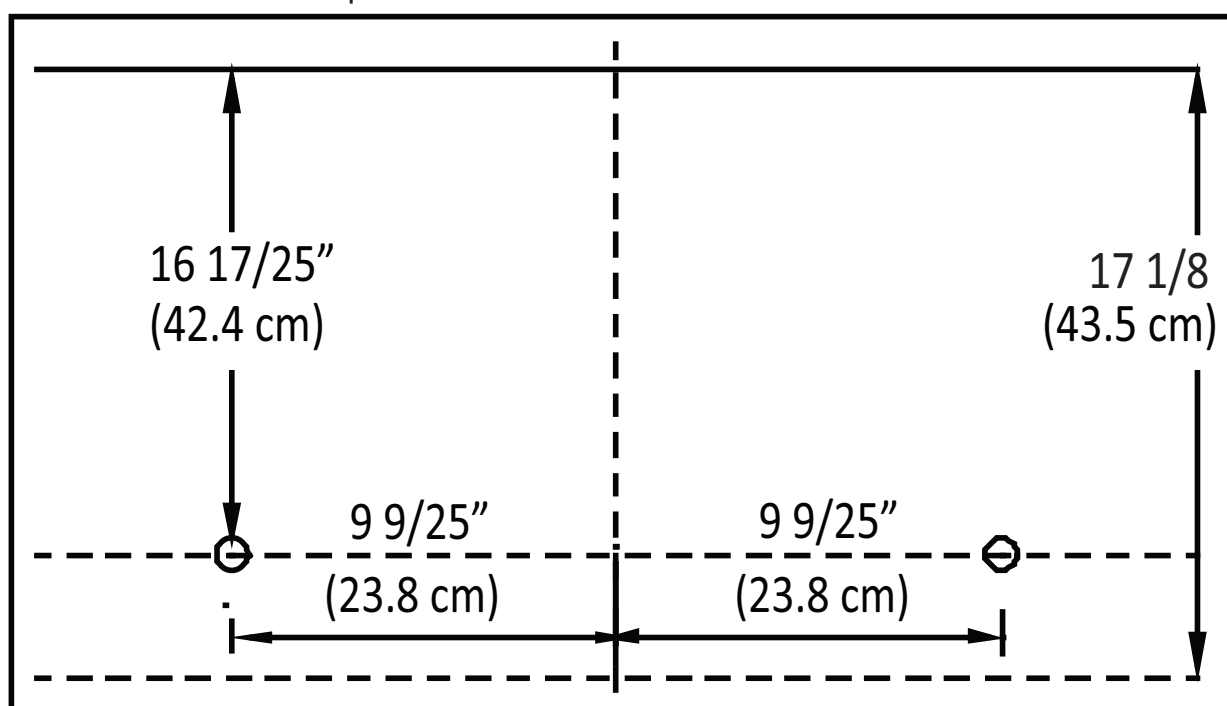
### MODÈLE ENDOMMAGÉ OU INUTILISABLE

Si le gabarit arrive endommagé ou ne peut pas être utilisé, mesurez et marquez le mur avec ces dimensions. N'oubliez pas que le micro-ondes doit être de niveau.

Le bord inférieur de la plaque de montage doit être à  $17 \frac{1}{8}$  po (43,5 cm) du bord inférieur de l'armoire supérieure.

Les trous de la plaque de montage doivent être à  $16 \frac{17}{25}$  po (42,4 cm) du bord inférieur de l'armoire supérieure et doivent être alignés les uns avec les autres. Chaque trou doit être à  $9 \frac{9}{25}$  po (23,8 cm) de la ligne médiane.

Marquez l'emplacement du modèle sur le mur, mais n'installez pas encore le modèle. Le conduit d'évacuation doit être installé en premier.



### REMARQUES

Toute garniture décorative sur les armoires ou le mur doit être retirée avant d'installer le four à micro-ondes.

Utilisez un niveau pour vous assurer que le gabarit est de niveau avant de marquer le mur. Le micro-ondes doit être de niveau pour assurer un bon fonctionnement.

Au moins trois vis doivent être utilisées pour installer la plaque de montage. Au moins une de ces vis doit être dans un poteau mural.

Fixez le gabarit de montage au mur avec du ruban adhésif, puis marquez les trois trous de vis au bas du gabarit. Retirez le gabarit et vérifiez les trous marqués avec la plaque de montage réelle pour vous assurer qu'ils correspondent.

# INSTRUCTIONS D'INSTALLATION

## ÉCHAPPEMENT DE LA HOTTE

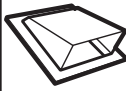


Ce four à micro-ondes est conçu pour s'adapter à trois types de ventilation : évacuation supérieure extérieure, évacuation arrière extérieure et recirculation sans conduit sans évacuation. Utilisez les instructions de conduit suivantes si l'appareil doit être ventilé vers l'extérieur.

Pour un mouvement d'air satisfaisant, la longueur totale du conduit rectangulaire de 3 1/4" x 10" ou du conduit rond de 6" ne doit pas dépasser 140 pieds équivalents.

Les coudes, les transitions, les capuchons muraux et les capuchons de toit présentent une résistance supplémentaire au flux d'air et équivalent à une section de conduit droit qui est plus longue que la taille physique réelle. Lors du calcul de la longueur totale du conduit, ajoutez les longueurs équivalentes de toutes les transitions et adaptateurs plus la longueur de toutes les sections droites du conduit. Le tableau ci-dessous est un exemple d'une configuration d'installation possible.

## ÉCHAPPEMENT SUPÉRIEUR EXTÉRIEUR (EXEMPLE UNIQUEMENT)

Le tableau suivant décrit un exemple d'une installation possible de conduits.

PIÈCES DE CONDUITS		LONGUEUR ÉQUIVALENTE	X	NOMBRE UTILISÉ	=	LONGUEUR ÉQUIVALENTE
	Chapeau de toit	24 ft	X	(1)	=	24 ft
	Conduit droit de 12 pi (rond de 6 po)	12 ft	X	(1)	=	12 ft
	Adaptateur de transition rectangulaire à rond	5 ft	X	(1)	=	5 ft
<b>LONGUEUR TOTALE</b>					=	<b>41 ft</b>

**IMPORTANT** : Si un adaptateur de transition rectangulaire à rond est utilisé, les coins inférieurs de l'amortisseur doivent être coupés pour s'adapter à l'aide de cisailles pour permettre le libre mouvement de l'amortisseur.


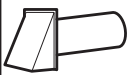


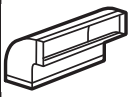
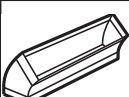


**IMPORTANT** : Il est important que la ventilation soit installée en utilisant le chemin le plus direct avec le moins de coudes possible. Cela garantit une ventilation claire des gaz d'échappement et aide à prévenir les blocages. Assurez-vous que les registres oscillent librement et que rien ne bloque les conduits.



# INSTRUCTIONS D'INSTALLATION

## CALCULATEUR DE LONGUEUR DE CONDUIT

Utilisez le tableau ci-dessous pour calculer la longueur totale des conduits à installer. La longueur totale ne doit pas dépasser 140 pieds.

PIÈCES DE CONDUITS		LONGUEUR ÉQUIVALENTE	X	NOMBRE UTILISÉ	=	LONGUEUR ÉQUIVALENTE
	Adaptateur de transition rectangulaire à rond	5 ft	X	(    )	=	ft
	Capuchon mural	40 ft	X	(    )	=	ft
	Coude rond à 90°	10 ft	X	(    )	=	ft
	Coude rond à 45°	5 ft	X	(    )	=	ft
	Coude rectangulaire à 90°	25 ft	X	(    )	=	ft
	Coude rectangulaire à 45°	5 ft	X	(    )	=	ft
	Chapeau de toit	24 ft	X	(    )	=	ft
	Conduit droit 6" rond ou 3 1/4" x 10" rectangulaire	1 ft	X	(    )	=	ft
<b>LONGUEUR TOTALE</b>					=	ft

# INSTRUCTIONS D'INSTALLATION - ÉCHAPPEMENT SUPÉRIEUR EXTÉRIEUR

Utilisez ces instructions si l'appareil est ventilé vers l'extérieur par le haut de l'appareil.

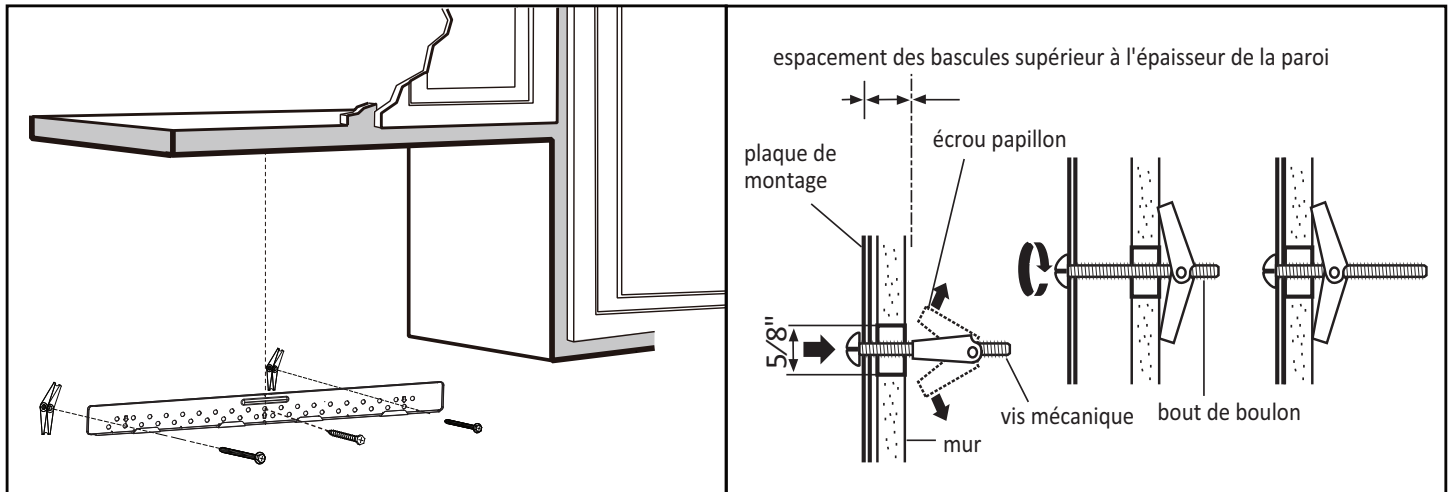
## Installer la plaque de montage

Utilisez une perceuse de 5/8 po pour faire deux trous qui entreront dans la cloison sèche. Utilisez une perceuse de 3/16 po pour faire un trou qui entrera dans un montant de mur. Utilisez le gabarit de montage pour décider de l'emplacement des trous. Au moins un trou doit entrer dans un montant de mur.

Insérez les vis à métaux dans la plaque de montage à travers les trous conçus pour pénétrer dans la cloison sèche et fixez les écrous à oreilles 3/4 po sur chaque vis à métaux.

Placez la plaque de montage contre le mur et insérez les écrous à oreilles dans les trous du mur. Les écrous à oreilles s'ouvriront de l'autre côté du mur pour fixer la vis.

Ne placez pas d'écrou à oreilles sur la vis qui ira dans le montant du mur. Insérez une vis à bois à travers la plaque de montage et dans le montant du mur. Serrez toutes les vis.



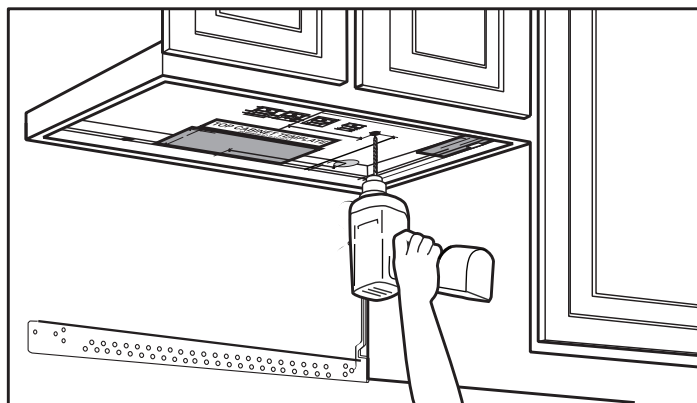
# INSTRUCTIONS D'INSTALLATION - ÉCHAPPEMENT SUPÉRIEUR EXTÉRIEUR

## Utilisation du modèle d'armoire supérieure

Il y a des instructions sur le modèle d'armoire supérieure qui détaillent comment il doit être utilisé.

Collez le gabarit de l'armoire supérieure sur le dessous de l'armoire où le four à micro-ondes sera installé.

Percez des trous pour les vis de support supérieures, un trou suffisamment grand pour que le cordon d'alimentation puisse passer à travers et une découpe suffisamment grande pour l'adaptateur d'échappement.

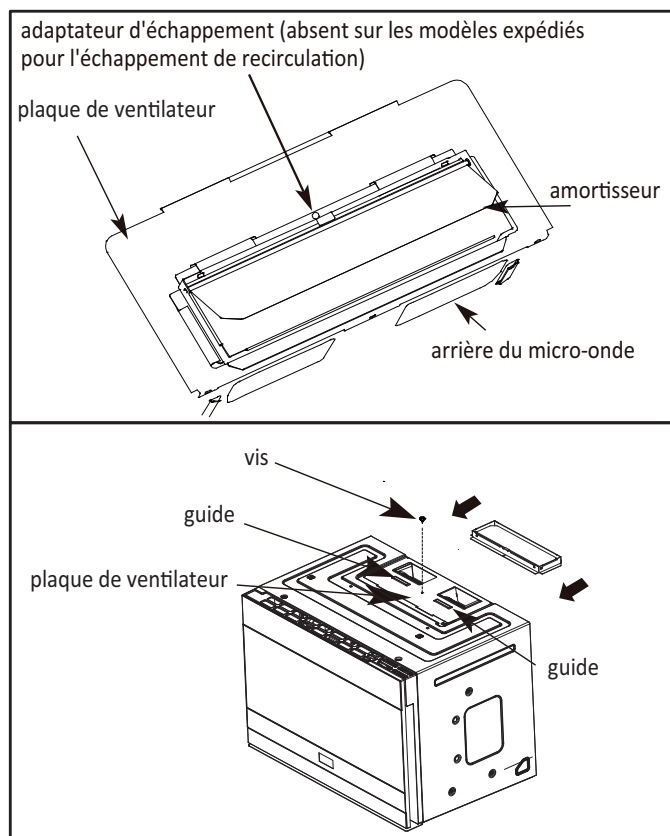


## Vérifier le bon fonctionnement de l'amortisseur

Placez le micro-ondes en position verticale avec le dessus de l'appareil vers le haut.

Assurez-vous que le ruban adhésif fixant le registre est retiré et que le registre pivote facilement avant de monter le micro-ondes.

Fixez l'adaptateur d'évacuation à la plaque du ventilateur en le glissant dans les guides. Fixez l'adaptateur avec une vis à tête.



# INSTRUCTIONS D'INSTALLATION - ÉCHAPPEMENT SUPÉRIEUR EXTÉRIEUR

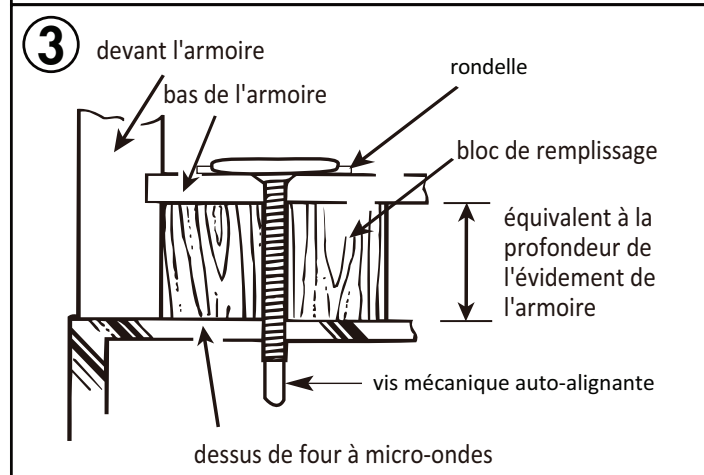
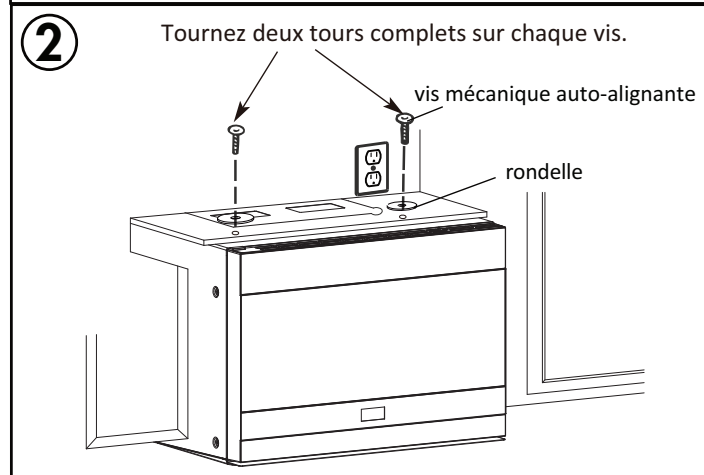
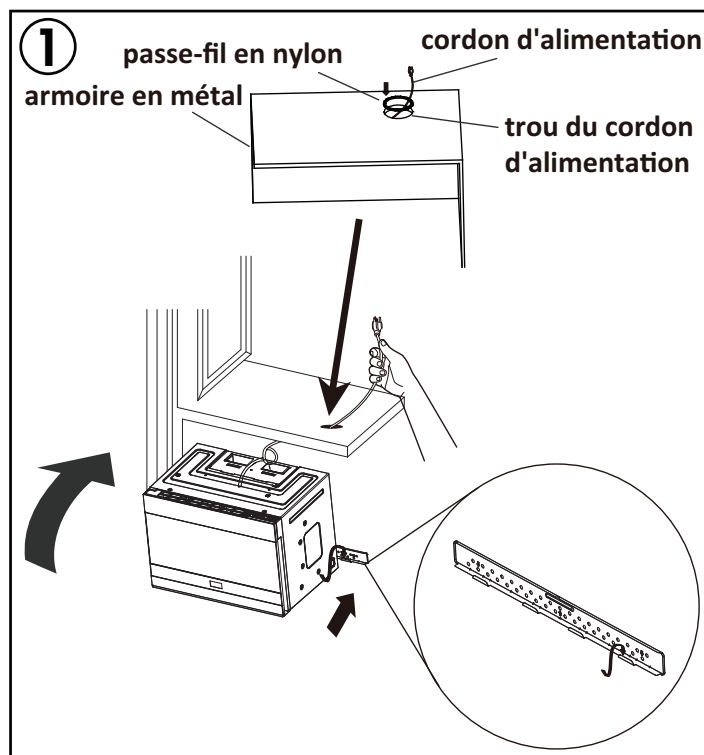
## Montage du four à micro-ondes

Deux personnes doivent être utilisées pour installer le micro-ondes. Ne saisissez pas ou n'utilisez pas la poignée pendant l'installation.

Si les armoires environnantes sont en métal, utilisez l'œillet en nylon autour du trou du cordon d'alimentation pour éviter d'endommager le cordon.

Lors du montage du four à micro-ondes, faites passer le cordon d'alimentation dans le trou de l'armoire. Gardez le cordon bien tendu lors du montage du four à micro-ondes pour vous assurer qu'il ne soit pas pincé. Ne soulevez pas le micro-ondes par le cordon.

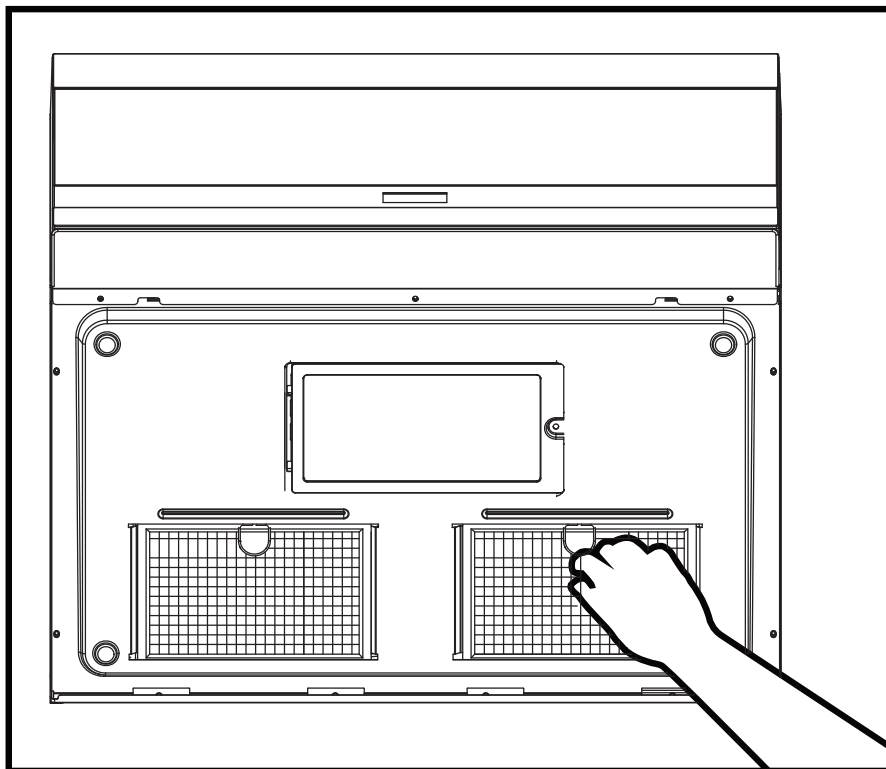
1. Soulevez le micro-ondes, inclinez-le vers l'avant et accrochez les fentes à l'arrière du micro-ondes sur les languettes inférieures de la plaque de montage. Faites pivoter l'avant du four à micro-ondes contre le fond de l'armoire.
2. Insérez deux vis mécaniques à alignement automatique avec rondelles dans les trous supérieurs de l'armoire et serrez de deux tours.
3. Si le meuble a un surplomb, insérez les cales de remplissage en bois avant de serrer complètement les vis.



# INSTRUCTIONS D'INSTALLATION - ÉCHAPPEMENT SUPÉRIEUR EXTÉRIEUR

## Installer des filtres à graisse

Faites glisser les filtres à graisse dans les ouvertures au bas du micro-ondes jusqu'à ce qu'ils s'enclenchent. L'appareil ne doit pas être utilisé sans les filtres à graisse installés.



## Conduits de raccordement

Ajustez l'adaptateur d'échappement à l'intérieur de l'armoire afin qu'il puisse se connecter au conduit de la maison.

Prolongez le conduit de la maison vers le bas pour le connecter à l'adaptateur d'évacuation.

Utilisez du ruban adhésif pour sceller les joints des conduits d'évacuation.

## INSTRUCTIONS D'INSTALLATION - ÉCHAPPEMENT ARRIÈRE EXTÉRIEUR

Utilisez ces instructions si l'appareil est ventilé vers l'extérieur par l'arrière de l'appareil.

Découpez un trou carré de 12 po x 4 po dans le mur arrière pour l'évacuation extérieure. Suivez les instructions incluses sur le gabarit arrière.

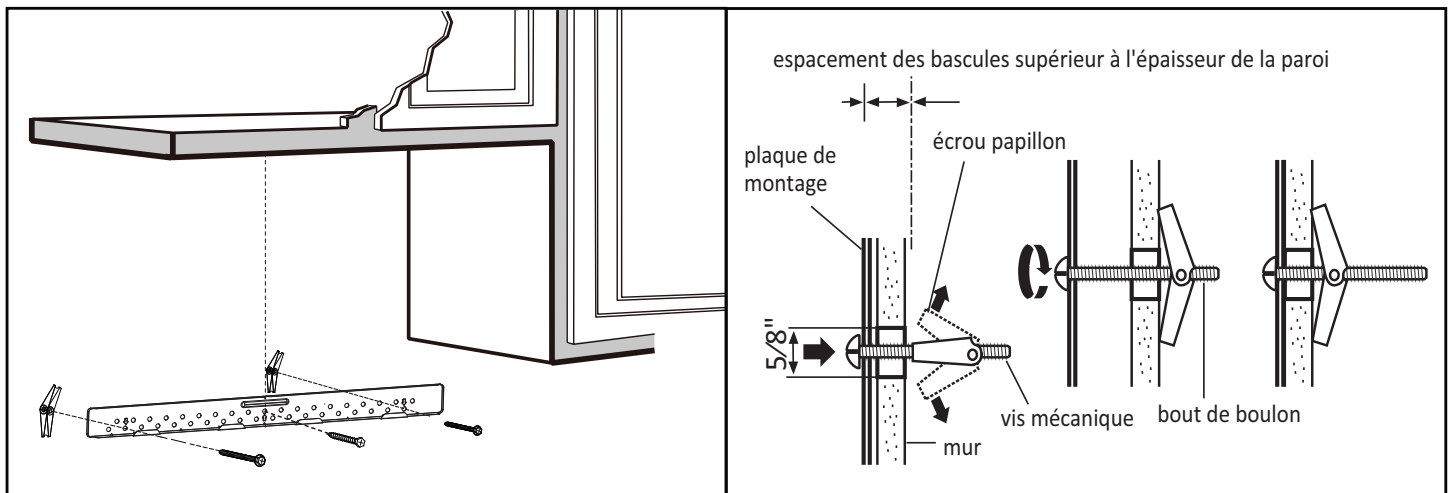
### Installer la plaque de montage

Utilisez une perceuse de 5/8 po pour faire deux trous qui entreront dans la cloison sèche. Utilisez une perceuse de 3/16 po pour faire un trou qui entrera dans un montant de mur. Utilisez le gabarit de montage pour décider de l'emplacement des trous. Au moins un trou doit entrer dans un montant de mur.

Insérez les vis à métaux dans la plaque de montage à travers les trous conçus pour pénétrer dans la cloison sèche et fixez les écrous à oreilles 3/4 po sur chaque vis à métaux.

Placez la plaque de montage contre le mur et insérez les écrous à oreilles dans les trous du mur. Les écrous à oreilles s'ouvriront de l'autre côté du mur pour fixer la vis.

Ne placez pas d'écrou à oreilles sur la vis qui ira dans le montant du mur. Insérez une vis à bois à travers la plaque de montage et dans le montant du mur. Serrez toutes les vis.



# INSTRUCTIONS D'INSTALLATION - ÉCHAPPEMENT ARRIÈRE EXTÉRIEUR

## Utilisation du modèle d'armoire supérieure

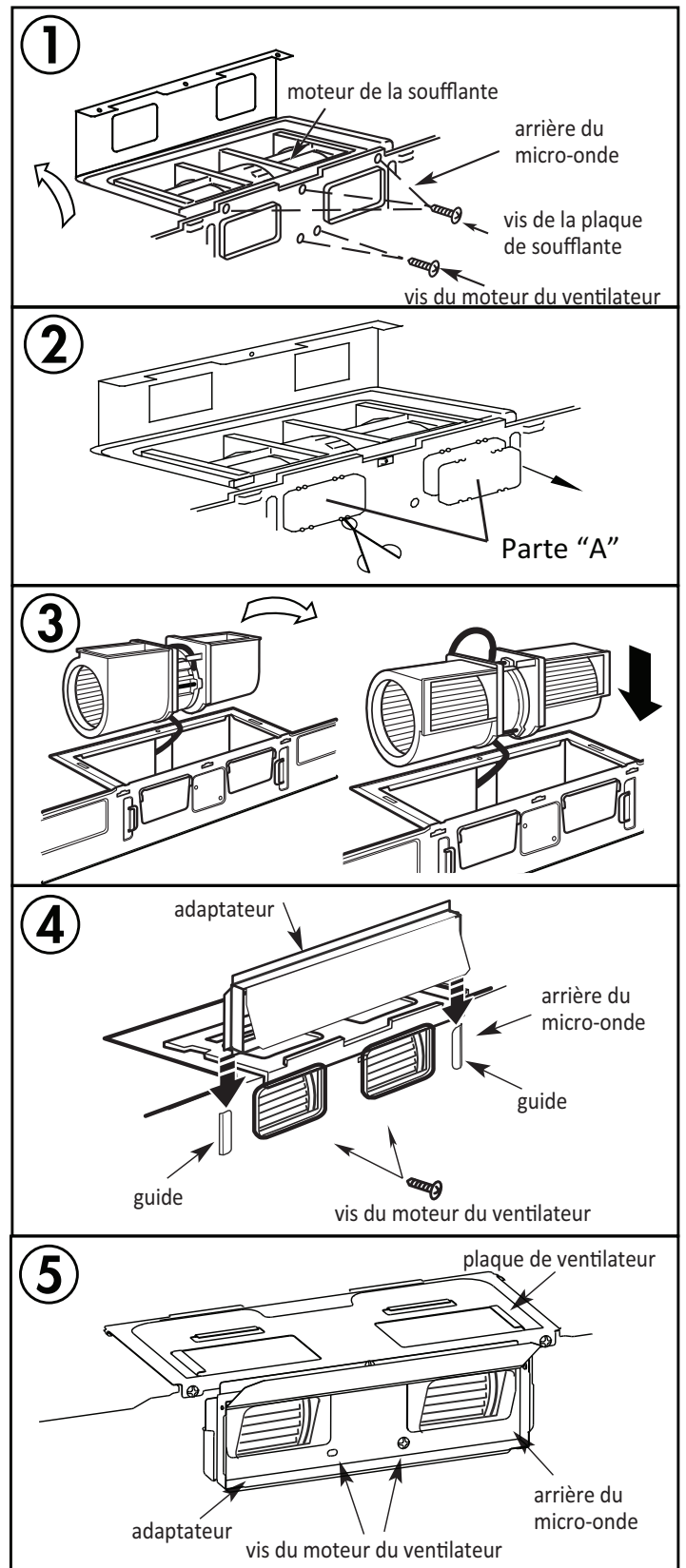
Il y a des instructions sur le modèle d'armoire supérieure qui détaillent comment il doit être utilisé.

Collez le gabarit de l'armoire supérieure sur le dessous de l'armoire où le four à micro-ondes sera installé.

Percez des trous pour les vis de support supérieures, un trou suffisamment grand pour que le cordon d'alimentation puisse passer à travers et une découpe suffisamment grande pour l'adaptateur d'échappement.

## Adaptation du ventilateur pour l'échappement arrière

1. Retirez les vis qui fixent le moteur du ventilateur. Soulevez la plaque du ventilateur.
2. Retirez la partie A avec des cisailles ou des ciseaux.
3. Sortez l'unité de soufflage. Veillez à ne pas étirer les fils et assurez-vous que les fils ne soient pas pincés. Faites pivoter le ventilateur de manière à ce qu'il soit orienté vers l'arrière et remplacez-le dans l'appareil. Les ouvertures d'évacuation du ventilateur doivent correspondre aux ouvertures d'évacuation à l'arrière du four à micro-ondes.
4. Fermez la plaque du ventilateur. Fixez l'adaptateur d'évacuation à l'arrière du micro-ondes en le faisant glisser dans les guides en haut. Poussez fermement jusqu'à ce que les trous de vis soient visibles. Assurez-vous que la charnière du registre est installée de manière à ce qu'elle soit en haut et que le registre oscille librement.
5. Fixez le moteur du ventilateur avec des vis. Fixez la plaque du ventilateur avec des vis.



# INSTRUCTIONS D'INSTALLATION - ÉCHAPPEMENT ARRIÈRE EXTÉRIEUR

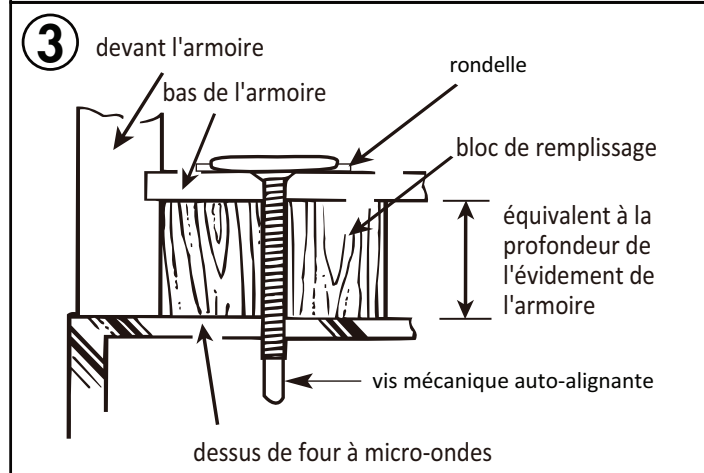
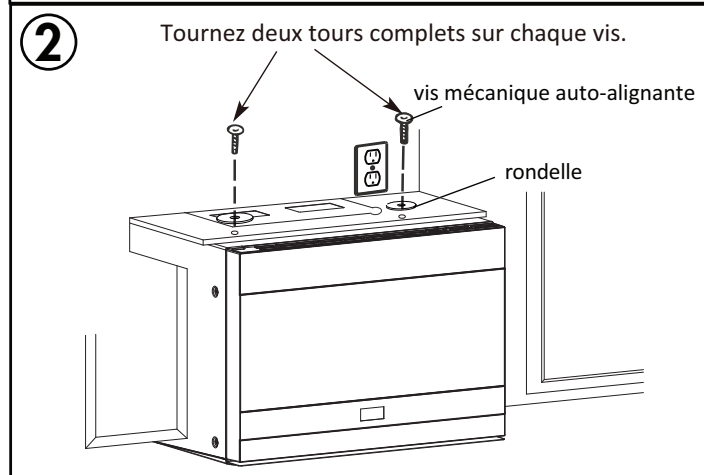
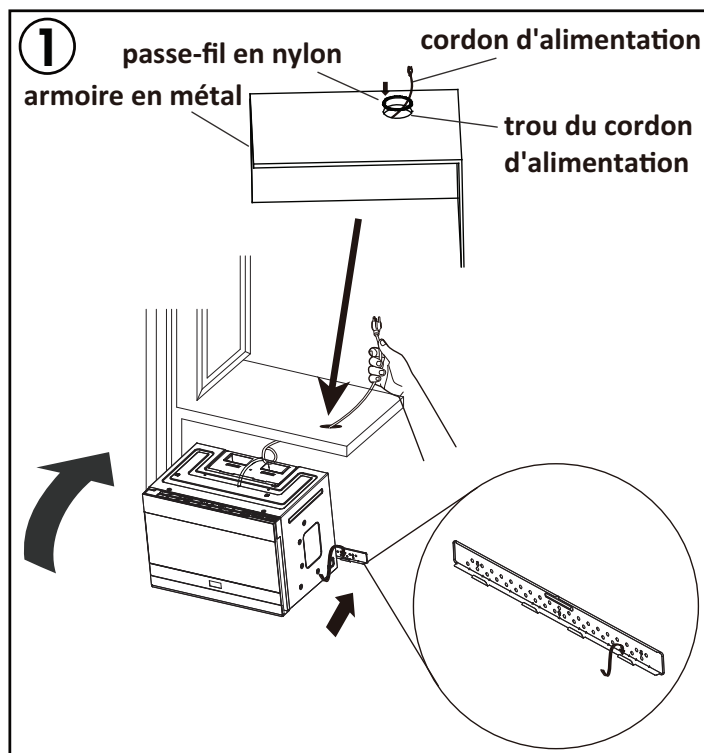
## Montage du four à micro-ondes

Deux personnes doivent être utilisées pour installer le micro-ondes. Ne saisissez pas ou n'utilisez pas la poignée pendant l'installation.

Si les armoires environnantes sont en métal, utilisez l'œillet en nylon autour du trou du cordon d'alimentation pour éviter d'endommager le cordon.

Lors du montage du four à micro-ondes, faites passer le cordon d'alimentation dans le trou de l'armoire. Gardez le cordon bien tendu lors du montage du four à micro-ondes pour vous assurer qu'il ne soit pas pincé. Ne soulevez pas le micro-ondes par le cordon.

1. Soulevez le micro-ondes, inclinez-le vers l'avant et accrochez les fentes à l'arrière du micro-ondes sur les languettes inférieures de la plaque de montage. Faites pivoter l'avant du four à micro-ondes contre le fond de l'armoire.
2. Insérez deux vis mécaniques à alignement automatique avec rondelles dans les trous supérieurs de l'armoire et serrez de deux tours.
3. Si le meuble a un surplomb, insérez les cales de remplissage en bois avant de serrer complètement les vis.

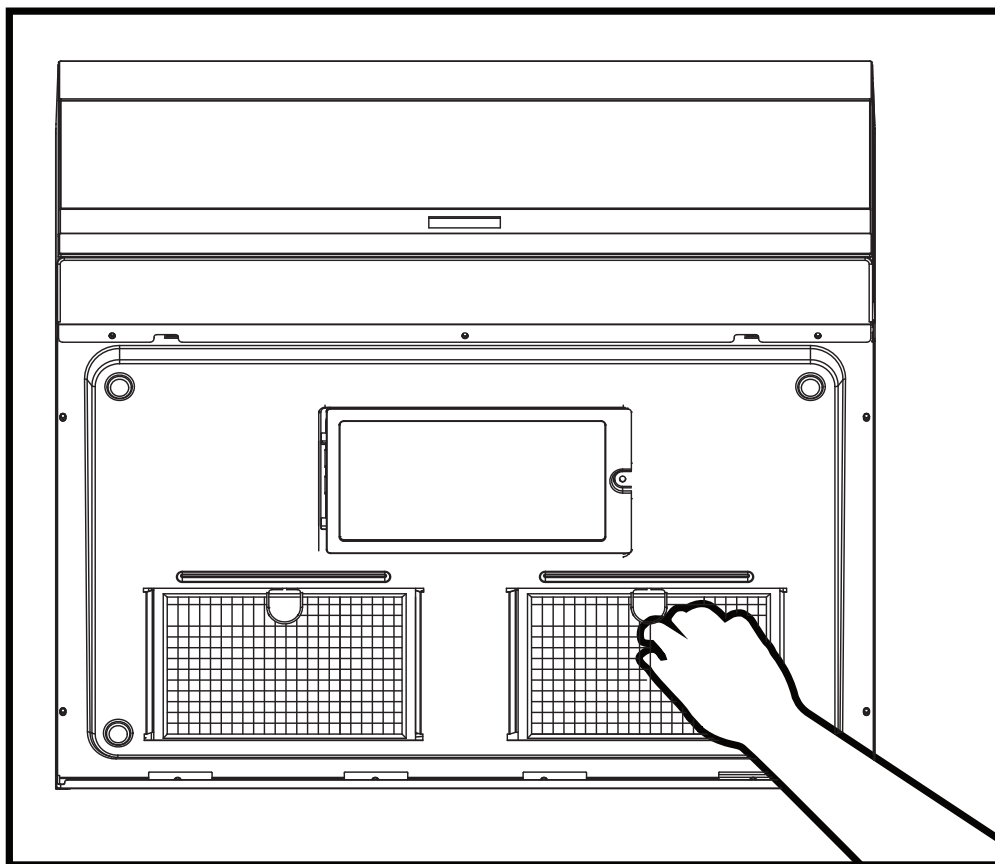




# INSTRUCTIONS D'INSTALLATION - ÉCHAPPEMENT ARRIÈRE EXTÉRIEUR

## Installer des filtres à graisse

Faites glisser les filtres à graisse dans les ouvertures au bas du micro-ondes jusqu'à ce qu'ils s'enclenchent. L'appareil ne doit pas être utilisé sans les filtres à graisse installés.



## Conduits de raccordement

Ajustez l'adaptateur d'échappement à l'intérieur de l'armoire afin qu'il puisse se connecter au conduit de la maison.

Prolongez le conduit de la maison vers le bas pour le connecter à l'adaptateur d'évacuation.

Utilisez du ruban adhésif pour sceller les joints des conduits d'évacuation.

## INSTRUCTIONS D'INSTALLATION - RECIRCULATION (NON VENTILÉ)

Utilisez ces instructions si l'appareil ne sera pas ventilé vers l'extérieur.

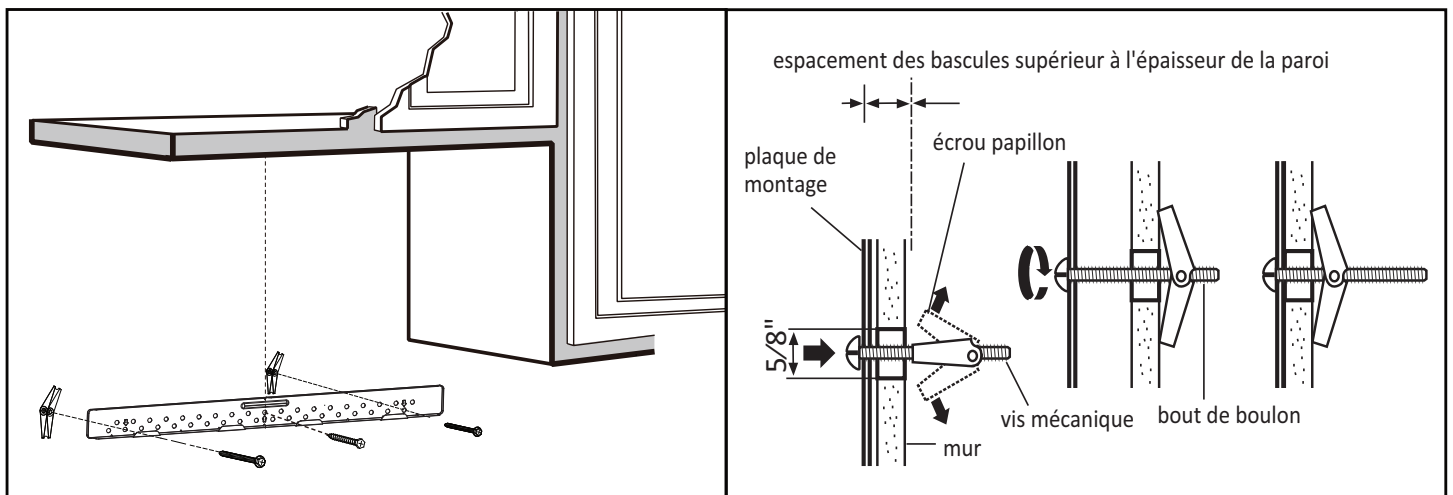
### Installer la plaque de montage

Utilisez une perceuse de 5/8 po pour faire deux trous qui entreront dans la cloison sèche. Utilisez une perceuse de 3/16 po pour faire un trou qui entrera dans un montant de mur. Utilisez le gabarit de montage pour décider de l'emplacement des trous. Au moins un trou doit entrer dans un montant de mur.

Insérez les vis à métaux dans la plaque de montage à travers les trous conçus pour pénétrer dans la cloison sèche et fixez les écrous à oreilles 3/4 po sur chaque vis à métaux.

Placez la plaque de montage contre le mur et insérez les écrous à oreilles dans les trous du mur. Les écrous à oreilles s'ouvriront de l'autre côté du mur pour fixer la vis.

Ne placez pas d'écrou à oreilles sur la vis qui ira dans le montant du mur. Insérez une vis à bois à travers la plaque de montage et dans le montant du mur. Serrez toutes les vis.

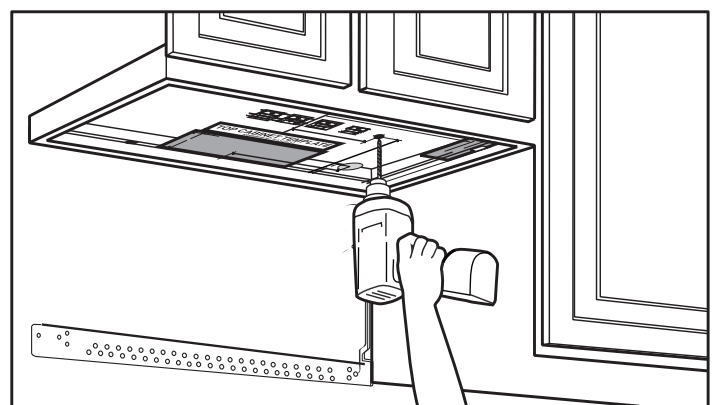


### Utilisation du modèle d'armoire supérieure

Il y a des instructions sur le modèle d'armoire supérieure qui détaillent comment il doit être utilisé.

Collez le gabarit de l'armoire supérieure sur le dessous de l'armoire où le four à micro-ondes sera installé.

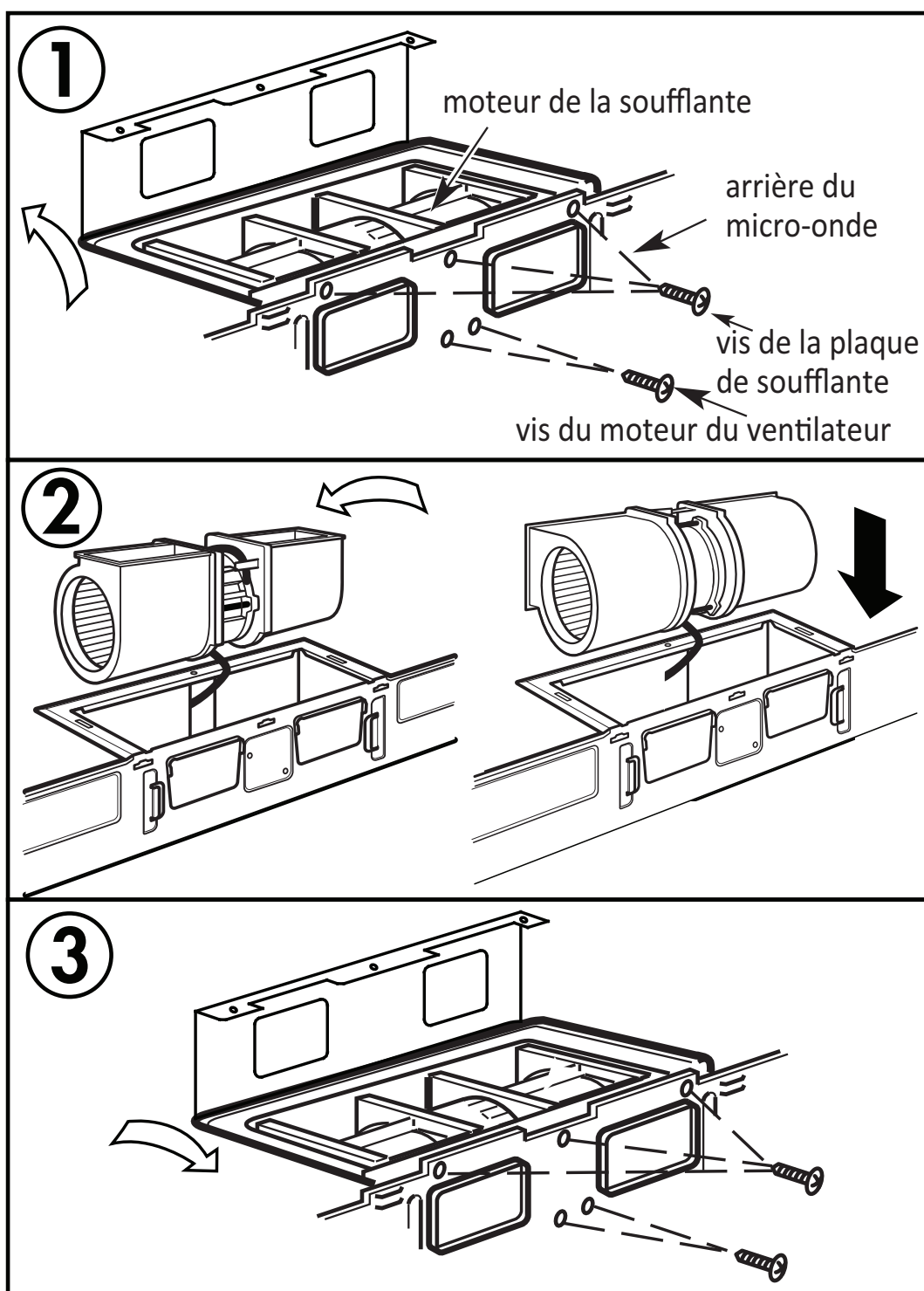
Percez des trous pour les vis de support supérieures, un trou suffisamment grand pour que le cordon d'alimentation puisse passer à travers et une découpe suffisamment grande pour l'adaptateur d'échappement.



## INSTRUCTIONS D'INSTALLATION - RECIRCULATION (NON VENTILÉ)

### Adaptation du ventilateur pour la recirculation des gaz d'échappement

1. Retirez les vis qui fixent le moteur du ventilateur. Soulevez la plaque du ventilateur.
2. Sortez l'unité de soufflage. Veillez à ne pas étirer les fils et assurez-vous que les fils ne soient pas pincés. Faites pivoter le ventilateur de sorte qu'il soit orienté vers l'avant et remplacez-le dans l'appareil.
3. Fixez le moteur du ventilateur avec des vis. Fixez la plaque du ventilateur avec des vis.



# INSTRUCTIONS D'INSTALLATION - RECIRCULATION (NON VENTILÉ)

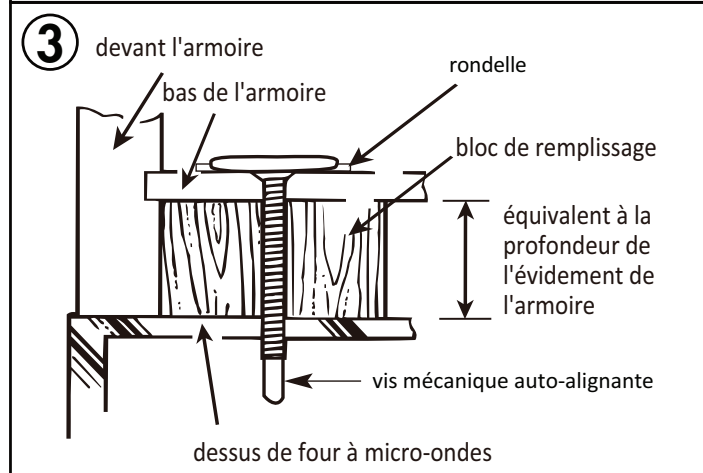
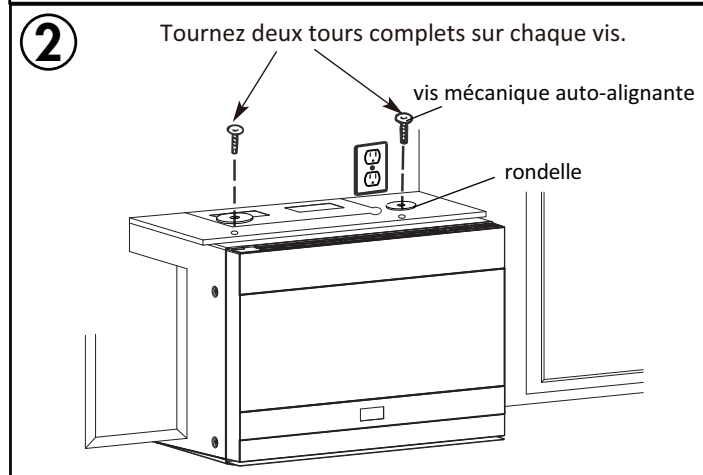
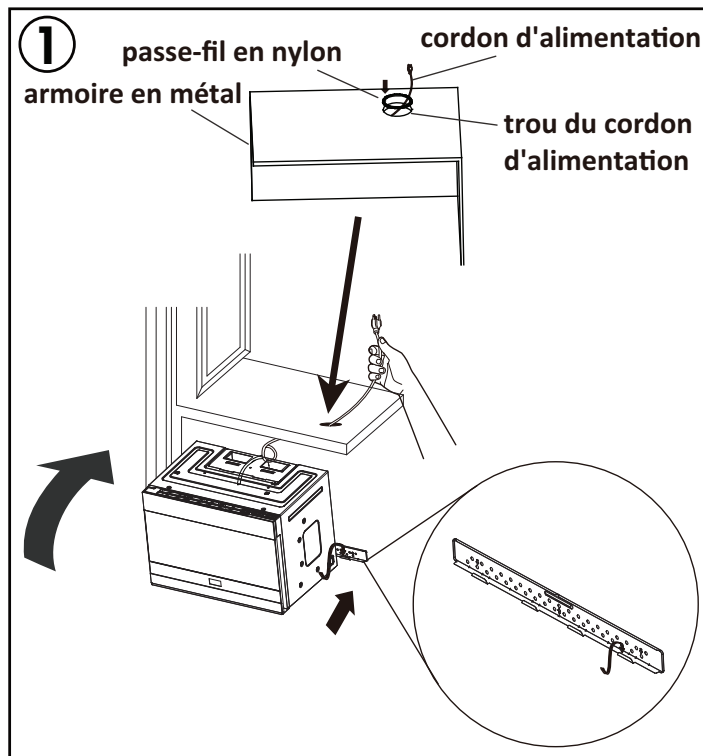
## Montage du four à micro-ondes

Deux personnes doivent être utilisées pour installer le micro-ondes. Ne saisissez pas ou n'utilisez pas la poignée pendant l'installation.

Si les armoires environnantes sont en métal, utilisez l'œillet en nylon autour du trou du cordon d'alimentation pour éviter d'endommager le cordon.

Lors du montage du four à micro-ondes, faites passer le cordon d'alimentation dans le trou de l'armoire. Gardez le cordon bien tendu lors du montage du four à micro-ondes pour vous assurer qu'il ne soit pas pincé. Ne soulevez pas le micro-ondes par le cordon.

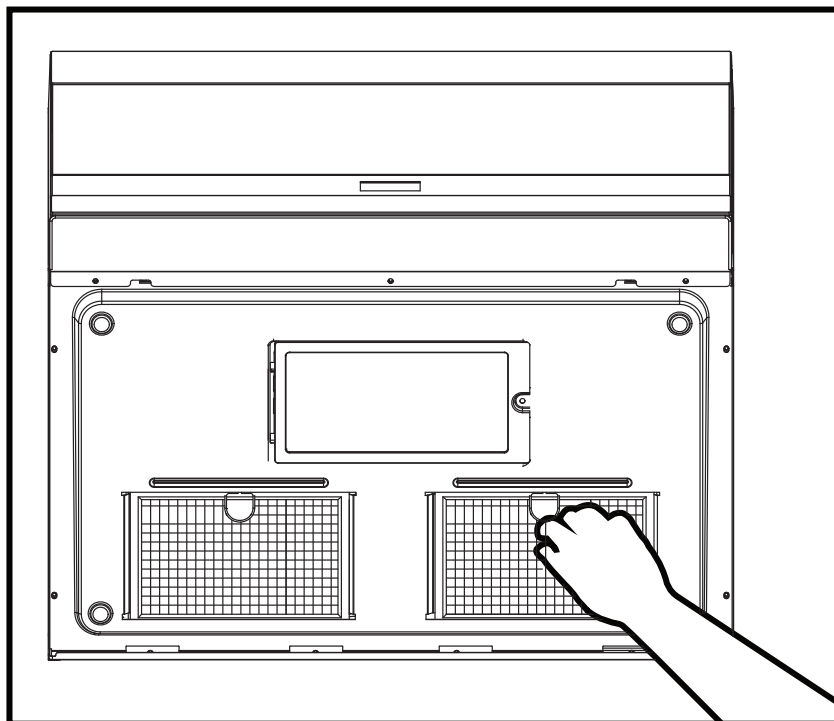
1. Soulevez le micro-ondes, inclinez-le vers l'avant et accrochez les fentes à l'arrière du micro-ondes sur les languettes inférieures de la plaque de montage. Faites pivoter l'avant du four à micro-ondes contre le fond de l'armoire.
2. Insérez deux vis mécaniques à alignement automatique avec rondelles dans les trous supérieurs de l'armoire et serrez de deux tours.
3. Si le meuble a un surplomb, insérez les cales de remplissage en bois avant de serrer complètement les vis.



# INSTRUCTIONS D'INSTALLATION - RECIRCULATION (NON VENTILÉ)

## Installer des filtres à graisse

Faites glisser les filtres à graisse dans les ouvertures au bas du micro-ondes jusqu'à ce qu'ils s'enclenchent. L'appareil ne doit pas être utilisé sans les filtres à graisse installés.



## Recirculation d'air

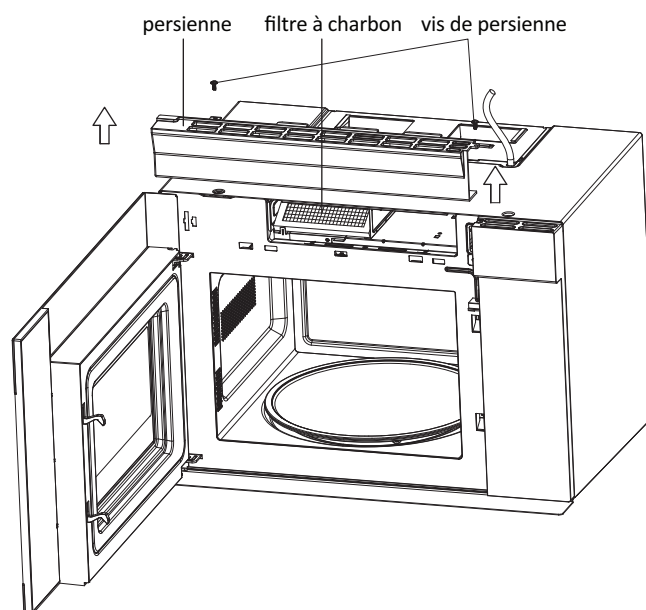
Aucun conduit n'est requis pour ce type d'installation. L'air de l'appareil s'échappera par l'évent avant et recirculera dans l'air de la pièce.

## Filtre à charbon

Le filtre à charbon doit être utilisé dans des installations de recirculation sans évacuation. Le filtre doit être changé tous les 6 à 12 mois selon l'utilisation.

1. Retirez les deux vis fixant la grille à l'avant du four à micro-ondes.
2. Retirez le filtre à charbon usagé.
3. Installez le nouveau filtre à charbon. Le treillis métallique du filtre doit être visible de l'avant.
4. Réinstallez la persienne.

Pour acheter des filtres de rechange, contactez le service à la clientèle ou visitez [www.DanbyApplianceParts.com](http://www.DanbyApplianceParts.com) ou [www.DanbyApplianceParts.ca](http://www.DanbyApplianceParts.ca)





# INSTRUCCIONES DE SEGURIDAD IMPORTANTES

## LEA Y SIGA TODAS LAS INSTRUCCIONES DE SEGURIDAD

### INTERFERENCIA DE RADIOFRECUENCIA

Este equipo genera y utiliza frecuencias ISM y, si no se instala y utiliza correctamente siguiendo estrictamente las instrucciones del fabricante, puede causar interferencias en la recepción de radio y televisión. Ha sido probado y cumple con los límites para equipos ISM de conformidad con la Parte 18 de las normas de la FCC, que están diseñadas para brindar una protección razonable contra dicha interferencia en una instalación residencial.

Sin embargo, no hay garantía de que no se produzcan interferencias en instalaciones particulares. Si este equipo causa interferencia en la recepción de radio o televisión, lo que se puede determinar apagando y encendiendo el equipo, la interferencia se puede corregir mediante uno o más de los siguientes métodos:

- Reorientar la antena receptora de radio o televisión.
- Aleje el horno de microondas del receptor.
- Enchufe el microondas en un tomacorriente diferente para que el microondas y el receptor estén en diferentes circuitos derivados.

El fabricante no es responsable de ninguna interferencia de radio o televisión causada por la modificación no autorizada de este aparato. Es responsabilidad del usuario corregir dicha interferencia.

### EVITE LA POSIBLE EXPOSICIÓN A ENERGÍA DE MICROONDAS EXCESIVA

- No intente operar el aparato con la puerta abierta ya que esto puede resultar en una exposición dañina a la energía de microondas. No manipule ni intente anular los bloqueos de seguridad.
- No coloque ningún objeto entre la cara frontal y la puerta ni permita que se acumule suciedad o residuos de limpiador en las superficies de sellado.
- No utilice el aparato si está dañado. La puerta debe cerrar correctamente y no debe haber daños en las bisagras, los pestillos, la puerta, los sellos de la puerta o las superficies de sellado.

### INSTRUCCIONES DE PUESTA A TIERRA

Este aparato debe estar conectado a tierra. En caso de un cortocircuito eléctrico, la conexión a tierra reduce el riesgo de descarga eléctrica al proporcionar un cable de escape para la corriente eléctrica.

Este electrodoméstico está equipado con un cable que tiene un cable de conexión a tierra con un enchufe con conexión a tierra. El cable de alimentación debe estar enchufado en un tomacorriente que esté debidamente conectado a tierra. Si el tomacorriente es un tomacorriente de pared estándar de 2 clavijas, es su responsabilidad reemplazarlo por un tomacorriente de pared de 3 clavijas debidamente conectado a tierra. La placa de características nominales indica el voltaje y la frecuencia para los que está diseñado el aparato.

**ADVERTENCIA:** el uso inadecuado del enchufe con conexión a tierra puede resultar en un riesgo de descarga eléctrica. Consulte a un electricista calificado o a un agente de servicio si no entiende completamente las instrucciones de conexión a tierra o si tiene dudas sobre si el electrodoméstico está correctamente conectado a tierra.

### NO UTILICE UN CABLE DE EXTENSIÓN

No conecte su electrodoméstico a cables de extensión o junto con otro electrodoméstico en el mismo tomacorriente de pared. No empalme el cable de alimentación. Bajo ninguna circunstancia corte o retire la tercera clavija de conexión a tierra del cable de alimentación.

Si el cable de alimentación está dañado, debe ser reemplazado por el fabricante, su agente de servicio o una persona calificada similar para evitar riesgos.

**¡GUARDA ESTAS INSTRUCCIONES!**



# INSTRUCCIONES DE SEGURIDAD IMPORTANTES

## LEA Y SIGA TODAS LAS INSTRUCCIONES DE SEGURIDAD

### LAS INSTRUCCIONES DE SEGURIDAD

- Asegúrese de que las piezas de los componentes se reemplacen con componentes similares y que el servicio lo realice personal de servicio autorizado de fábrica, para minimizar el riesgo de una posible ignición debido a piezas incorrectas o servicio inadecuado.
- Verifique que el aparato no esté dañado antes de usarlo. Si hay algún daño en el electrodoméstico, no lo use, devuélvalo a su punto de compra o comuníquese con atención al consumidor.
- El electrodoméstico debe colocarse sobre una superficie plana y estable que pueda soportar su peso y los alimentos más pesados que puedan colocarse en el electrodoméstico.
- No use este aparato donde se genere calor, humedad o mucha humedad.
- No limpie este aparato ni lo use cerca de materiales combustibles.
- Los niños deben ser supervisados para asegurarse de que no jueguen con el aparato.
- Este aparato está diseñado específicamente para calentar, cocinar o secar alimentos. No está diseñado para uso industrial o de laboratorio.
- No guarde ni use este aparato al aire libre. No utilice este aparato cerca del agua.
- No sobrecocine los alimentos. Vigile cuidadosamente el aparato cuando esté en uso.
- Retire las ataduras de alambre antes de colocar artículos en el electrodoméstico.
- No utilice el aparato con fines de almacenamiento. No deje artículos dentro del aparato cuando no esté en uso.
- No caliente aceite o grasa para freír, ya que es difícil controlar la temperatura del aceite en un microondas.
- Algunos artículos, como huevos enteros o recipientes sellados, tienen la posibilidad de explotar cuando se calientan y no deben colocarse en este aparato.
- No opere ningún aparato de calefacción o cocina debajo de este aparato.
- Asegúrese de que la bandeja de vidrio y los rodillos estén en la posición correcta antes de usar para evitar posibles derrames.
- No haga funcionar este aparato cuando esté vacío, ya que esto aumentará el calor alrededor del magnetrón y puede dañar el aparato o provocar un incendio.
- Si los artículos dentro del aparato se incendiaron, mantenga la puerta cerrada, apague el aparato y desconecte el cable de alimentación.
- No opere el aparato sin la bandeja de vidrio, el soporte del rodillo y el eje en sus posiciones correctas.

**¡GUARDA ESTAS INSTRUCCIONES!**



# INSTRUCCIONES DE SEGURIDAD IMPORTANTES

## LEA Y SIGA TODAS LAS INSTRUCCIONES DE SEGURIDAD

### SEGURIDAD - LÍQUIDO SOBRECALENTADO

Los líquidos pueden sobrecalentarse más allá del punto de ebullición sin que parezca que están hirviendo debido a la tensión superficial del líquido. No siempre habrá burbujas visibles cuando se retire el líquido del aparato. Esto podría provocar que los líquidos muy calientes hiervan repentinamente cuando se inserta en el líquido un utensilio u otro elemento, como una bolsita de té.

Para reducir el riesgo de lesiones:

- No sobrecaliente los líquidos. No caliente ningún líquido durante más de 2 minutos por taza.
- Revuelva los líquidos antes y a la mitad del calentamiento.
- No utilice recipientes de lados rectos con cuellos angostos, ya que esto puede causar una acumulación de vapor.
- El líquido sobrecalentado puede comenzar a hervir espontáneamente cuando se retira del microondas. Después de calentar, deje reposar el líquido en el microondas durante 30 segundos antes de retirarlo.
- Tenga mucho cuidado al insertar un utensilio u otro artículo en líquidos calientes.
- El contenido de los biberones de leche y los tarros de comida para bebés se debe remover o sacudir y se debe controlar la temperatura antes de servir para evitar quemaduras.
- No descongele bebidas congeladas, especialmente bebidas carbonatadas, en este aparato ya que podrían explotar.
- Los alimentos calientes y el vapor pueden causar quemaduras. Tenga cuidado al abrir cualquier recipiente que haya sido calentado en el aparato. Dirija la abertura lejos de las manos y la cara para evitar quemaduras.

### SEGURIDAD - ARCO

La formación de arcos se refiere a las chispas dentro del microondas mientras está en funcionamiento. El arco es causado por:

- Metal o papel aluminio dentro del aparato.
- Se utilizan toallas de papel recicladas dentro del electrodoméstico, ya que pueden contener pequeñas piezas de metal.

Si se forma un arco, detenga el funcionamiento y retire cualquier metal o toalla de papel del aparato.

Capacidad del horno:	38 L 1.4 cu. ft.
Diámetro de la placa giratoria:	ø 325 mm ø 12.8 in
Dimensiones externas:	60.6 x 44.5 x 42.4 cm 23.8 x 17.5 x 16.7 in
Peso neto:	23.5 kg 51.8 lbs
Tensión nominal:	120 V ~ 60 Hz

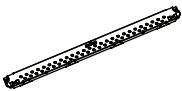
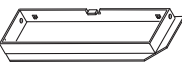
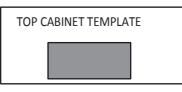
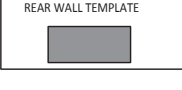
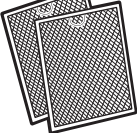
**¡GUARDA ESTAS INSTRUCCIONES!**



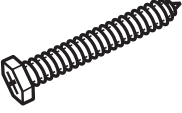

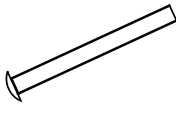
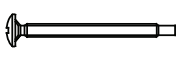

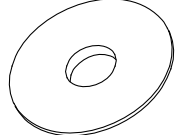

# INSTRUCCIONES DE INSTALACIÓN

- Retire todos los materiales de embalaje del interior y exterior del aparato. No retire la hoja de mica de cartón que cubre el magnetrón.
- Verifique que el electrodoméstico no esté dañado antes de usarlo, como una puerta desalineada o doblada, sellos de la puerta dañados, bisagras o pestillos de la puerta rotos o sueltos, o abolladuras dentro de la cavidad o en la puerta. Si hay algún daño en el electrodoméstico, no lo use, devuélvalo al punto de compra o comuníquese con atención al consumidor.
- La superficie de montaje debe ser capaz de soportar la carga del gabinete además del peso adicional de este microondas, aproximadamente 22,6 - 31,7 kg (50 - 70 libras), más cargas adicionales del horno de hasta 22,6 kg (50 libras) para un peso total de 45,2 - 54,3 kg (100 - 120 libras).
- Este electrodoméstico no se puede instalar en arreglos de gabinete como una isla o península. Debe montarse tanto en un gabinete superior como en una pared.
- No limpie este aparato ni lo use cerca de materiales combustibles.
- No bloquee las aberturas de ventilación del aparato.
- No opere el aparato sin la bandeja de vidrio, el soporte del rodillo y el eje en sus posiciones correctas.
- Asegúrese de que el estante esté colocado correctamente dentro del microondas para evitar daños por arcos. No use el microondas con el estante en el piso del microondas. No use el estante cuando cocine palomitas de maíz. Siempre use agarraderas cuando retire el estante, ya que puede estar caliente.

## PIEZAS INCLUIDAS



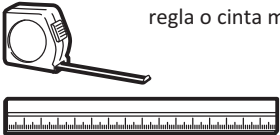
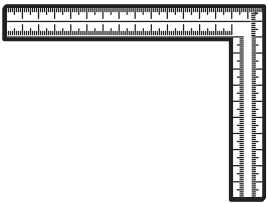


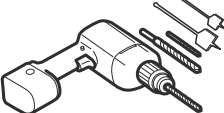




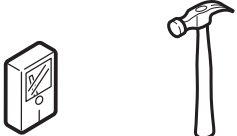
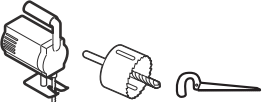

PARTE		QTY
	Placa de montaje	1
	Adaptador de escape	1
	Plantilla de gabinete superior	1
	Plantilla de pared trasera	1
	Filtros de grasa adicionales	2

## ACCESORIOS DE INSTALACIÓN

PARTE		QTY
	Tornillo para madera (1/4" x 2")	2
	Tuerca de mariposa	2
	El tornillo de la máquina (3/16" x 3")	2
	Tornillo de máquina autoalineador (1/4"-20 x 3")	2
	Ojal de nylon (para gabinetes de metal)	1
	Arandela	2
	Tornillo para chapa	2

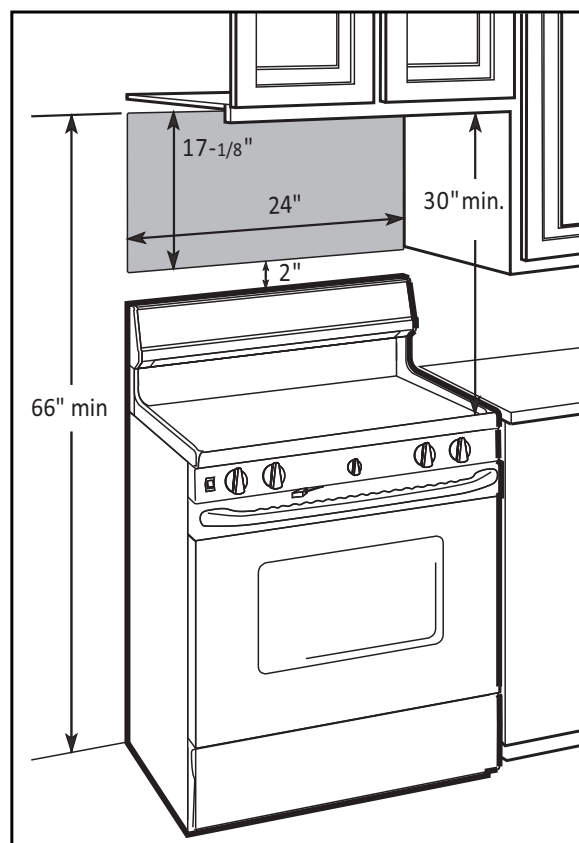
# INSTRUCCIONES DE INSTALACIÓN

## HERRAMIENTAS REQUERIDAS

 <p>Destornilladores Phillips #1 y #2</p>	 <p>lápiz</p>	 <p>regla o cinta métrica</p>	 <p>escuadra de carpintero (opcional)</p>
 <p>tijeras de hojalatero (para cortar el amortiguador, si es necesario)</p>	 <p>tijeras (para cortar plantilla, si es necesario)</p>	 <p>taladro eléctrico con puntas de 3/16", 1/2" y 5/8"</p>	 <p>bloques de relleno o pedazos de madera de desecho (para el espacio del gabinete superior en instalaciones de gabinetes inferiores empotrados, si es necesario)</p>
 <p>guantes</p>	 <p>gafas protectoras</p>	 <p>cinta adhesiva y de enmascarar</p>	 <p>detector de vigas de borde a borde o martillo (opcional)</p>
 <p>sierra (sable, agujero o ojo de cerradura)</p>	 <p>nivel</p>		

## LOCALIZACIÓN

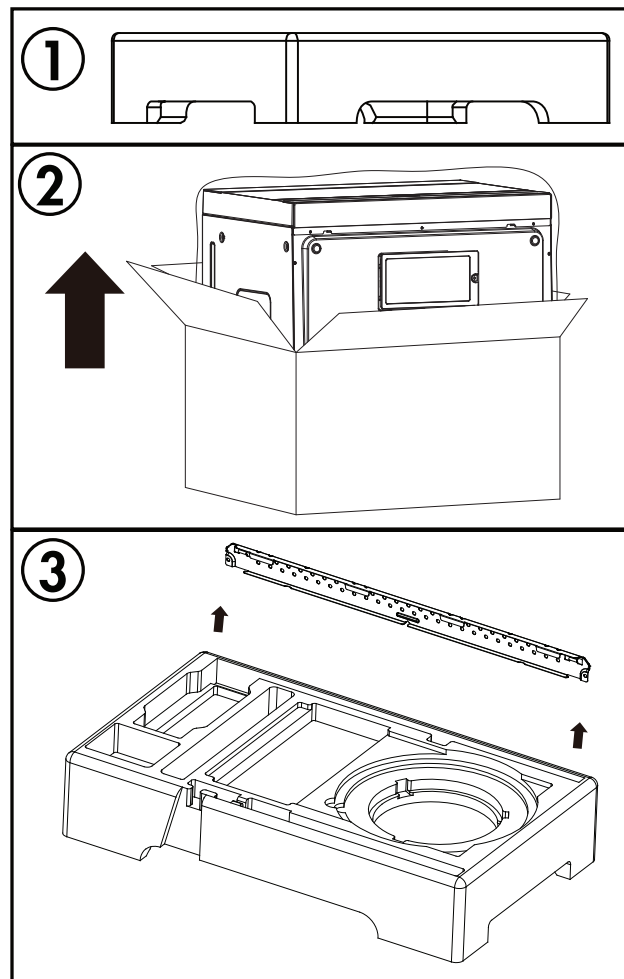
- El espacio entre los gabinetes debe ser de 30" de ancho y libre de obstrucciones.
- Si el espacio entre los gabinetes es mayor a 30", use material de relleno para llenar el espacio entre el horno de microondas y los gabinetes.
- Este microondas se puede instalar en cocinas de hasta 24" de ancho.
- Si instala el microondas debajo de gabinetes lisos y planos, asegúrese de seguir las instrucciones para el espacio libre del cable de alimentación.



# INSTRUCCIONES DE INSTALACIÓN

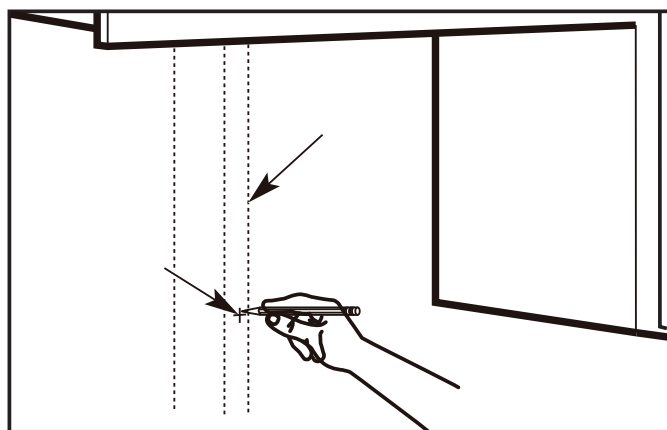
## DESEMBALAJE DEL APARATO

1. Abra la caja y retire la espuma superior de la caja. Guarda los accesorios.
2. Retire el microondas de la caja y retire la bolsa de plástico.
3. Retire el soporte de montaje de la espuma superior.



## ENCONTRAR LOS MONTANTES DE LA PARED

1. Utilice un detector de montantes para localizar el montante de la pared. Si no dispone de un detector de vigas, utilice un martillo para golpear ligeramente la pared hasta encontrar un sonido sólido. Este sonido indica la ubicación del montante de la pared.
2. Encuentre el centro del montante de la pared sondeando la pared con un clavo pequeño para encontrar los bordes del montante. Dibuja una línea en el centro del montante de la pared.



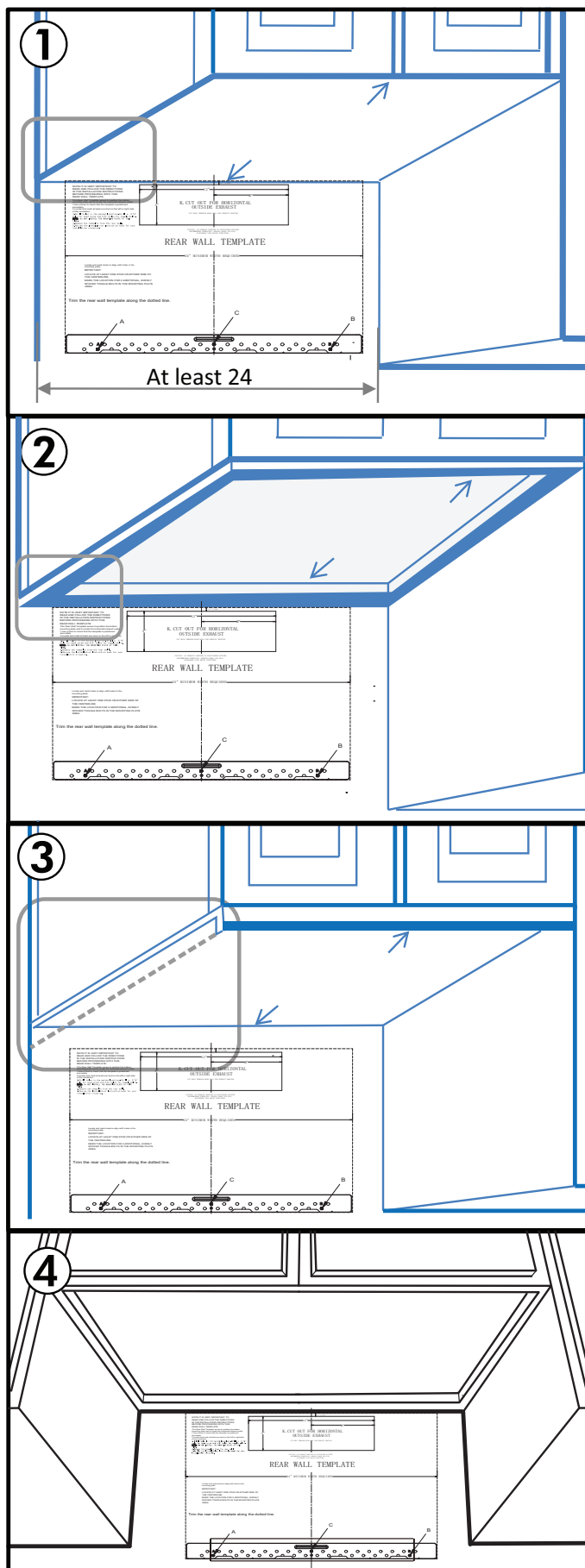
**Nota:** El microondas debe estar conectado al menos a un montante de pared.

# INSTRUCCIONES DE INSTALACIÓN

## USO DE LA PLANTILLA DE INSTALACIÓN

There are three different types of cabinetry that will change how the rear wall template should be used to determine where to install the mounting bracket.

- 1. Gabinete de fondo plano:** La parte superior de la plantilla debe alinearse con la parte inferior del gabinete.
- 2. Gabinete empotrado enmarcado:** La parte superior de la plantilla debe alinearse con el marco posterior de la parte inferior del gabinete.
- 3. Gabinete inferior empotrado enmarcado con voladizo frontal:** La parte superior de la plantilla debe alinearse con el voladizo frontal. Puede ser útil medir el voladizo, luego medir la misma distancia desde la parte inferior del gabinete y marcar ese punto.
- 4. Alineación de la línea central de la plantilla de la pared trasera:** Mida el espacio donde se instalará el microondas y encuentre la línea central. Marque esta línea con un lápiz y una regla. Alinee la línea central de la plantilla con la línea central de la pared.



## INSTRUCCIONES DE INSTALACIÓN

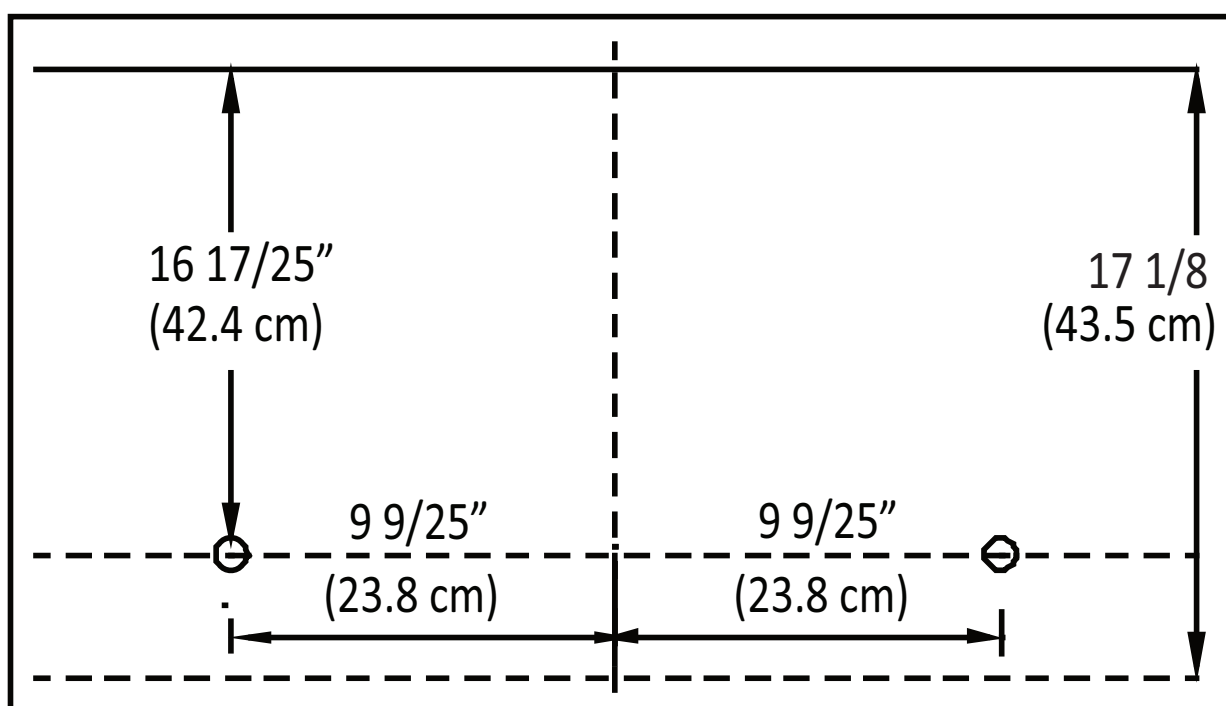
### PLANTILLA DAÑADA O INUTILIZABLE

Si la plantilla llega dañada o no se puede utilizar, mida y marque la pared con estas dimensiones. Recuerda que el microondas debe estar nivelado.

El borde inferior de la placa de montaje debe estar a  $17 \frac{1}{8}$ " (43,5 cm) del borde inferior del gabinete superior.

Los orificios de la placa de montaje deben estar a  $16 \frac{17}{25}$ " (42,4 cm) del borde inferior del gabinete superior y deben estar alineados entre sí. Cada hoyo debe estar a  $9 \frac{9}{25}$ " (23,8 cm) de la línea central.

Marque la ubicación de la plantilla en la pared pero no instale la plantilla todavía. Primero se debe instalar el conducto de escape.



### NOTAS

Se debe quitar cualquier moldura decorativa en los gabinetes o la pared antes de instalar el microondas.

Use un nivel para asegurarse de que la plantilla esté nivelada antes de marcar la pared. El microondas debe estar nivelado para garantizar un funcionamiento adecuado.

Se deben usar al menos tres tornillos para instalar la placa de montaje. Al menos uno de esos tornillos debe estar en un montante de pared.

Pegue con cinta adhesiva la plantilla de montaje a la pared y luego marque los tres orificios para tornillos en la parte inferior de la plantilla. Retire la plantilla y verifique dos veces los orificios marcados con la placa de montaje real para asegurarse de que coincidan.

# INSTRUCCIONES DE INSTALACIÓN

## ESCAPE DE CAPO

Este microondas está diseñado para adaptarse a tres tipos de ventilación: escape superior exterior, escape trasero exterior y recirculación sin conductos sin ventilación. Utilice las siguientes instrucciones de conductos si el aparato se ventilará hacia el exterior.

Para un movimiento de aire satisfactorio, la longitud total del conducto rectangular de 3 1/4" x 10" o redondo de 6" no debe exceder los 140 pies equivalentes.

Los codos, transiciones, tapas de pared y tapas de techo presentan una resistencia adicional al flujo de aire y son equivalentes a una sección de conducto recto que es más larga que el tamaño físico real. Al calcular la longitud total del conducto, agregue las longitudes equivalentes de todas las transiciones y adaptadores más la longitud de todas las secciones rectas del conducto. La siguiente tabla es un ejemplo de una posible configuración de instalación.

## ESCAPE SUPERIOR EXTERIOR (SÓLO EJEMPLO)

El siguiente cuadro describe un ejemplo de una posible instalación de conductos.

PIEZAS DE CONDUCTO		LONGITUD EQUIVALENTE	X	NÚMERO UTILIZADO	=	LONGITUD EQUIVALENTE
	Tapa de techo	24 ft	X	(1)	=	24 ft
	Ducto recto de 12 pies (redondo de 6")	12 ft	X	(1)	=	12 ft
	Adaptador de transición rectangular a redondo	5 ft	X	(1)	=	5 ft
<b>LARGO TOTAL</b>						<b>= 41 ft</b>





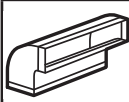
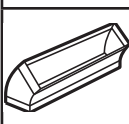
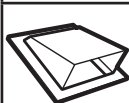
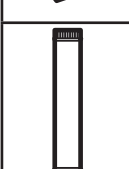
**IMPORTANTE:** si se usa un adaptador de transición de rectangular a redondo, las esquinas inferiores del amortiguador deben cortarse para que encajen con tijeras de hojalatero para permitir el libre movimiento del amortiguador.

**IMPORTANTE:** Es importante que la ventilación se instale usando la ruta más directa con la menor cantidad de codos posible. Esto asegura una ventilación clara del escape y ayuda a prevenir obstrucciones. Asegúrese de que las compuertas giren libremente y que nada bloquee los conductos.

# INSTRUCCIONES DE INSTALACIÓN

## CALCULADORA DE LONGITUD DE CONDUCTO

Use la tabla a continuación para calcular la longitud total de los conductos que se instalarán. La longitud total no debe exceder los 140 pies.

PIEZAS DE CONDUCTO		LONGITUD EQUIVALENTE	X	NÚMERO UTILIZADO	=	LONGITUD EQUIVALENTE
	Adaptador de transición rectangular a redondo	5 ft	X	(     )	=	ft
	Tapa de pared	40 ft	X	(     )	=	ft
	Codo redondo de 90°	10 ft	X	(     )	=	ft
	Codo redondo de 45°	5 ft	X	(     )	=	ft
	Codo rectangular de 90°	25 ft	X	(     )	=	ft
	Codo rectangular de 45°	5 ft	X	(     )	=	ft
	Tapa de techo	24 ft	X	(     )	=	ft
	Ducto recto 6" redondo o 3 1/4" x 10" rectangular	1 ft	X	(     )	=	ft
<b>LARGO TOTAL</b>					=	ft

## INSTRUCCIONES DE INSTALACIÓN - ESCAPE SUPERIOR EXTERIOR

Use estas instrucciones si el electrodoméstico se ventilará hacia el exterior a través de la parte superior del electrodoméstico.

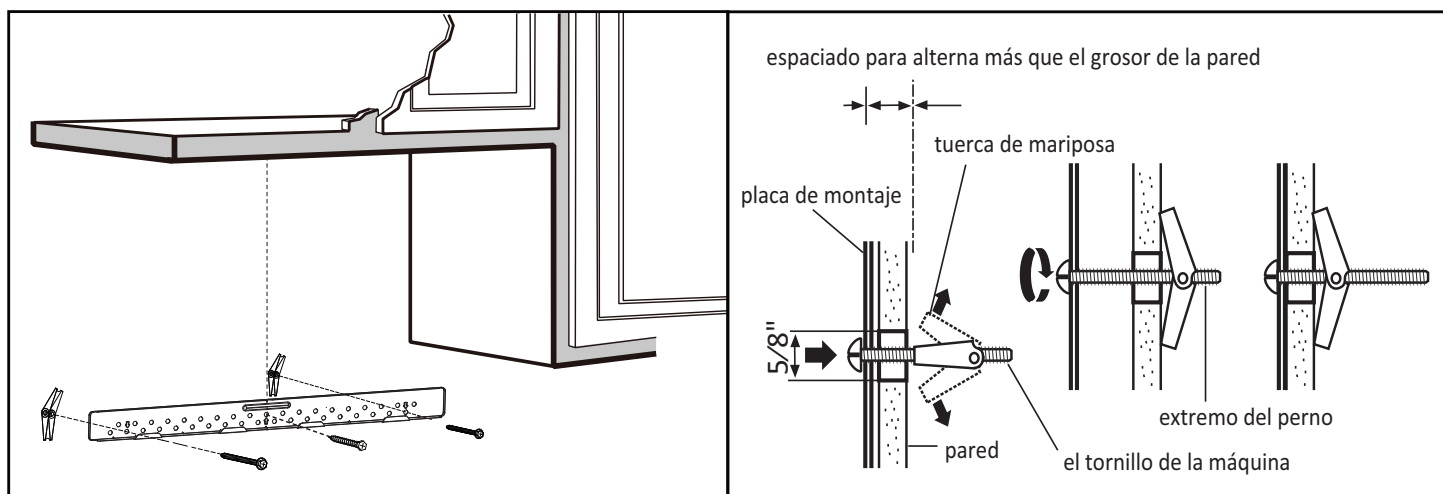
### Instale la placa de montaje

Use un taladro de 5/8" para hacer dos agujeros que entrarán en el panel de yeso. Use un taladro de 3/16" para hacer un agujero que entre en un montante de la pared. Utilice la plantilla de montaje para decidir la ubicación de los agujeros. Al menos un agujero debe entrar en un montante de pared.

Inserte los tornillos para metales en la placa de montaje a través de los orificios diseñados para entrar en paneles de yeso y fije las tuercas de mariposa 3/4" en cada tornillo para metales.

Coloque la placa de montaje contra la pared e inserte las tuercas de mariposa en los orificios de la pared. Las tuercas de mariposa se abrirán en el otro lado de la pared para asegurar el tornillo.

No coloque una tuerca de mariposa en el tornillo que se introducirá en el montante de la pared. Inserte un tornillo para madera a través de la placa de montaje y dentro del montante de la pared. Apriete todos los tornillos.





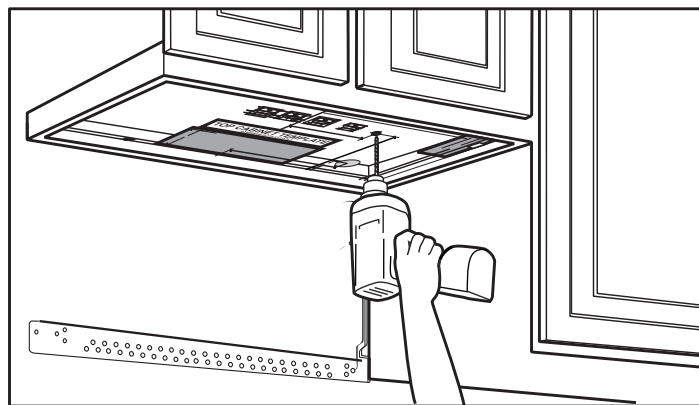
# INSTRUCCIONES DE INSTALACIÓN - ESCAPE SUPERIOR EXTERIOR

## Usando la plantilla del gabinete superior

Hay instrucciones en la plantilla del gabinete superior que detallan cómo debe usarse.

Pegue la plantilla del gabinete superior al lado inferior del gabinete donde se instalará el microondas.

Taladre orificios para los tornillos de soporte superiores, un orificio lo suficientemente grande para que pase el cable de alimentación y un corte lo suficientemente grande para el adaptador de escape.

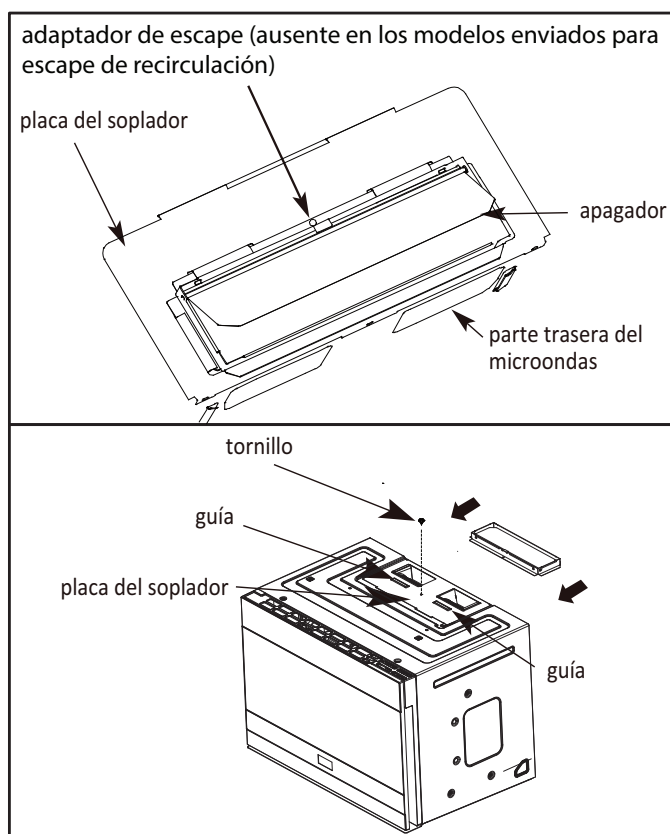


## Comprobar el correcto funcionamiento de la compuerta

Coloque el microondas en posición vertical con la parte superior del aparato hacia arriba.

Asegúrese de quitar la cinta que asegura el amortiguador y que el amortiguador gire fácilmente antes de montar el microondas.

Fije el adaptador de escape a la placa del ventilador deslizándolo en las guías. Asegure el adaptador con un tornillo para láminas de metal.



# INSTRUCCIONES DE INSTALACIÓN - ESCAPE SUPERIOR EXTERIOR

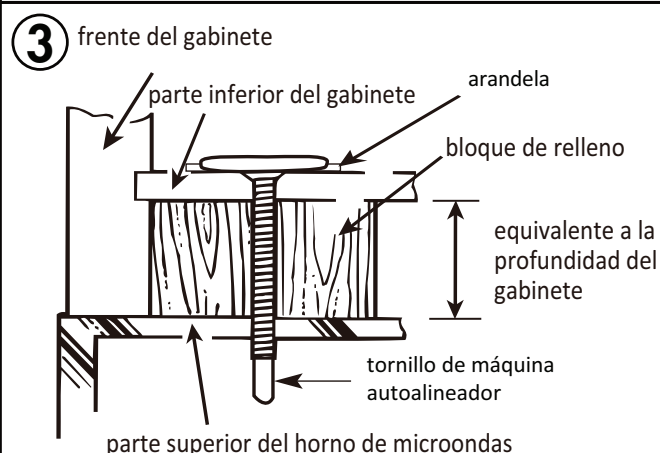
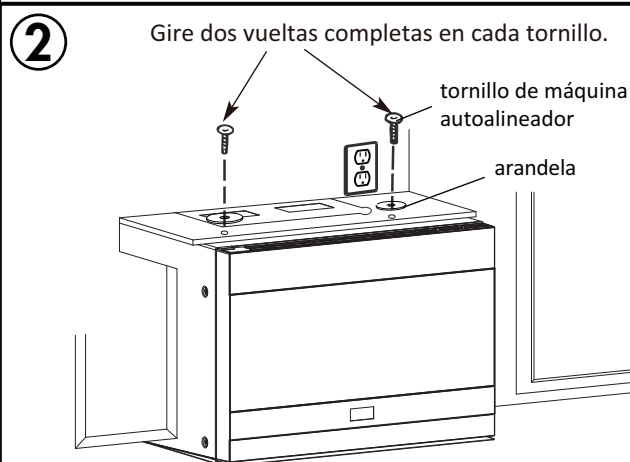
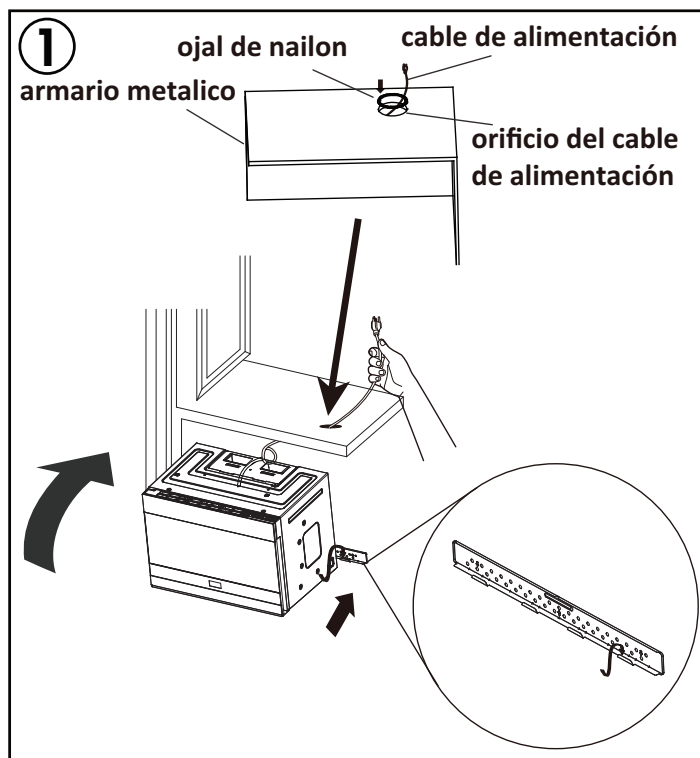
## Montaje del horno de microondas

Se deben utilizar dos personas para instalar el microondas. No agarre ni use el mango durante la instalación.

Si los gabinetes circundantes son de metal, use la arandela de nailon alrededor del orificio del cable de alimentación para evitar dañar el cable.

Cuando monte el microondas, pase el cable de alimentación a través del orificio en el gabinete. Mantenga el cable tenso cuando monte el microondas para asegurarse de que no se pellizque. No levante el microondas por el cable.

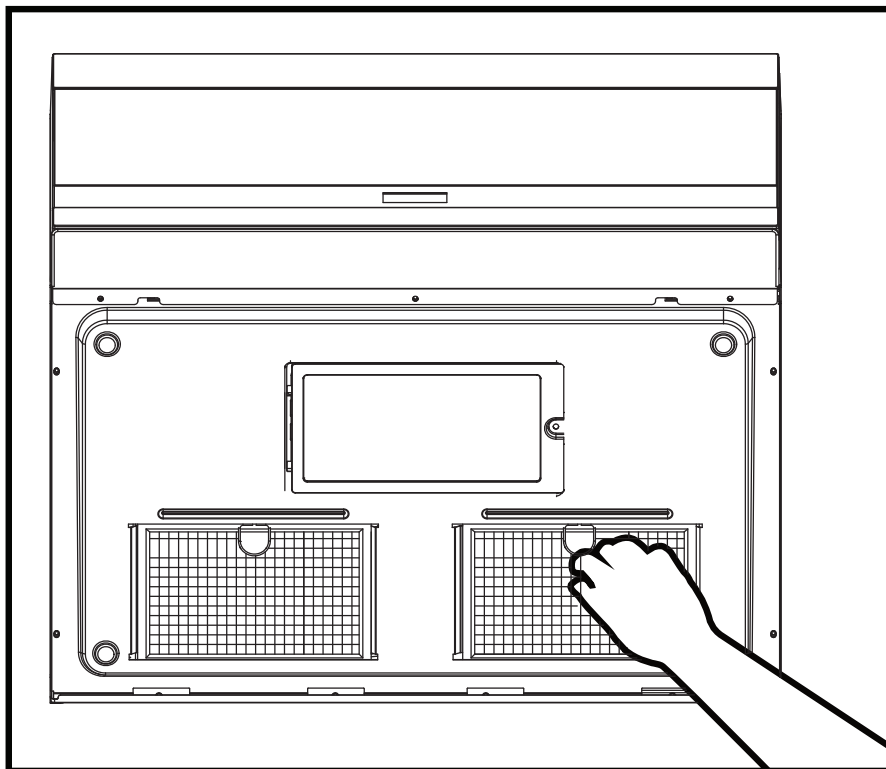
1. Levante el microondas, inclínelo hacia adelante y enganche las ranuras en la parte posterior del microondas en las pestañas inferiores de la placa de montaje. Gire la parte delantera del microondas contra la parte inferior del gabinete.
2. Inserte dos tornillos autoalineables con arandelas a través de los orificios superiores del gabinete y apriete dos vueltas.
3. Si el gabinete tiene un voladizo, inserte los bloques de relleno de madera antes de apretar completamente los tornillos.



## INSTRUCCIONES DE INSTALACIÓN - ESCAPE SUPERIOR EXTERIOR

### Instalar filtros de grasa

Deslice los filtros de grasa en las aberturas en la parte inferior del microondas hasta que encajen en su lugar. El aparato no debe funcionar sin los filtros de grasa instalados.



### Conexión de conductos

Ajuste el adaptador de escape dentro del gabinete para que pueda conectarse al conducto de la casa.

Extienda el conducto de la casa hacia abajo para conectarlo al adaptador de escape.

Use cinta adhesiva para sellar las juntas del conducto de escape.

## INSTRUCCIONES DE INSTALACIÓN - ESCAPE EXTERIOR TRASERO

Use estas instrucciones si el electrodoméstico se ventilará hacia el exterior a través de la parte posterior del electrodoméstico.

Corte un agujero cuadrado de 12" x 4" en la pared trasera para el escape exterior. Siga las instrucciones incluidas en la plantilla trasera.

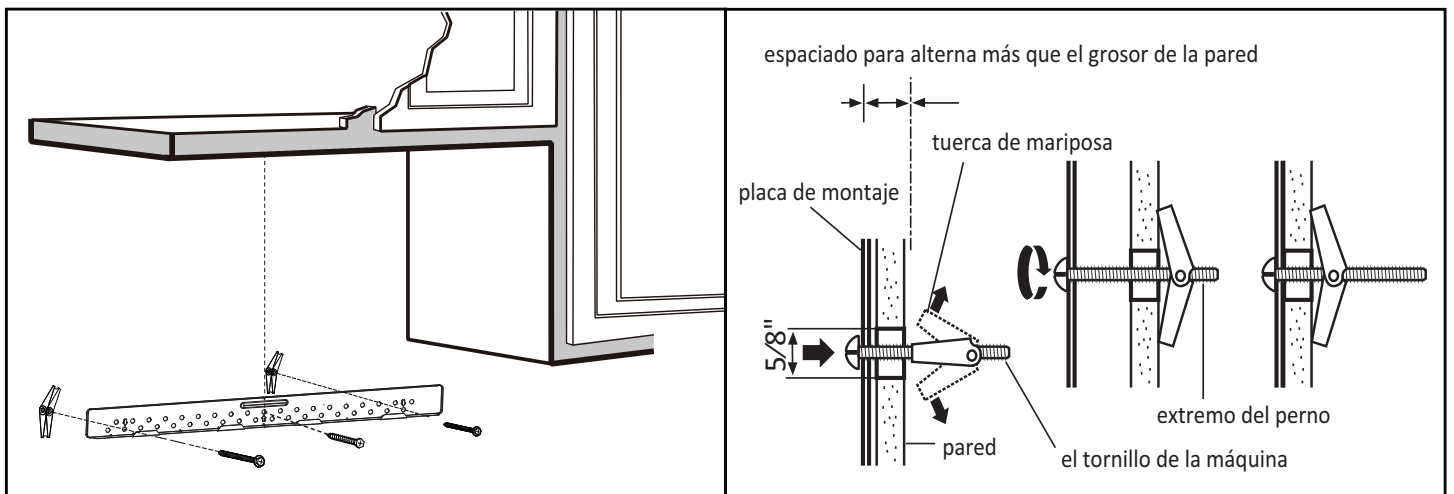
### Instale la placa de montaje

Use un taladro de 5/8" para hacer dos agujeros que entrarán en el panel de yeso. Use un taladro de 3/16" para hacer un agujero que entre en un montante de la pared. Utilice la plantilla de montaje para decidir la ubicación de los agujeros. Al menos un agujero debe entrar en un montante de pared.

Inserte los tornillos para metales en la placa de montaje a través de los orificios diseñados para entrar en paneles de yeso y fije las tuercas de mariposa 3/4" en cada tornillo para metales.

Coloque la placa de montaje contra la pared e inserte las tuercas de mariposa en los orificios de la pared. Las tuercas de mariposa se abrirán en el otro lado de la pared para asegurar el tornillo.

No coloque una tuerca de mariposa en el tornillo que se introducirá en el montante de la pared. Inserte un tornillo para madera a través de la placa de montaje y dentro del montante de la pared. Apriete todos los tornillos.



# INSTRUCCIONES DE INSTALACIÓN - ESCAPE EXTERIOR TRASERO

## Usando la plantilla del gabinete superior

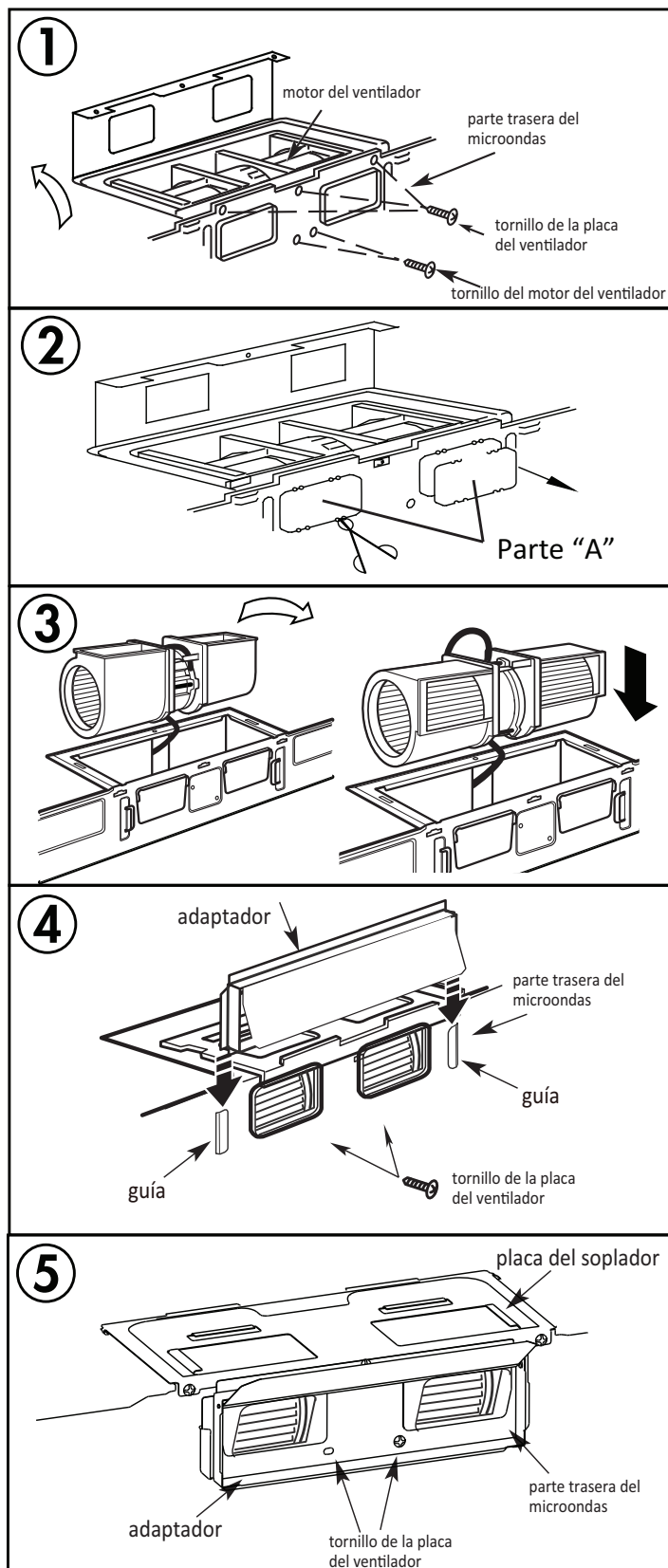
Hay instrucciones en la plantilla del gabinete superior que detallan cómo debe usarse.

Pegue la plantilla del gabinete superior al lado inferior del gabinete donde se instalará el microondas.

Taladre orificios para los tornillos de soporte superiores, un orificio lo suficientemente grande para que pase el cable de alimentación y un corte lo suficientemente grande para el adaptador de escape.

## Adaptación del ventilador para el escape trasero

1. Retire los tornillos que aseguran el motor del ventilador. Levante la placa del ventilador.
2. Retire la parte A con tijeras o tijeras.
3. Extraiga la unidad del ventilador. Tenga cuidado de no estirar los cables y asegúrese de que no queden pellizcados. Gire el soplador para que mire hacia atrás y vuelva a colocarlo en el aparato. Las aberturas de escape de la unidad del ventilador deben coincidir con las aberturas de escape en la parte trasera del microondas.
4. Cierre la placa del ventilador. Conecte el adaptador de escape a la parte posterior del microondas deslizándolo en las guías en la parte superior. Empuje firmemente hasta que se vean los orificios de los tornillos. Asegúrese de que la bisagra del amortiguador esté instalada de modo que quede en la parte superior y que el amortiguador oscile libremente.
5. Asegure el motor del ventilador con tornillos. Asegure la placa del ventilador con tornillos.



# INSTRUCCIONES DE INSTALACIÓN - ESCAPE EXTERIOR TRASERO

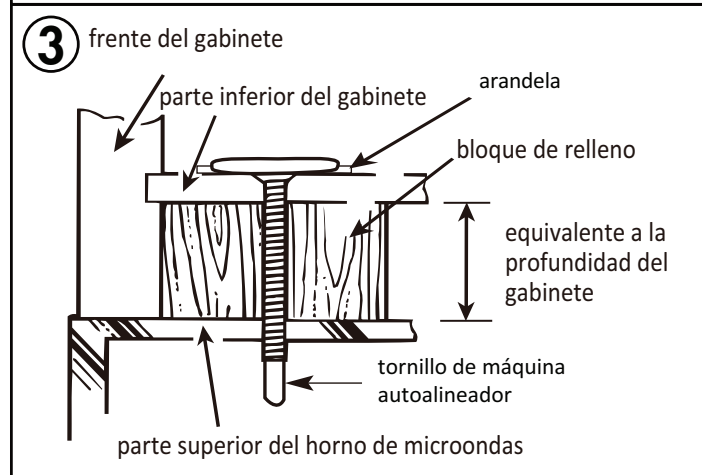
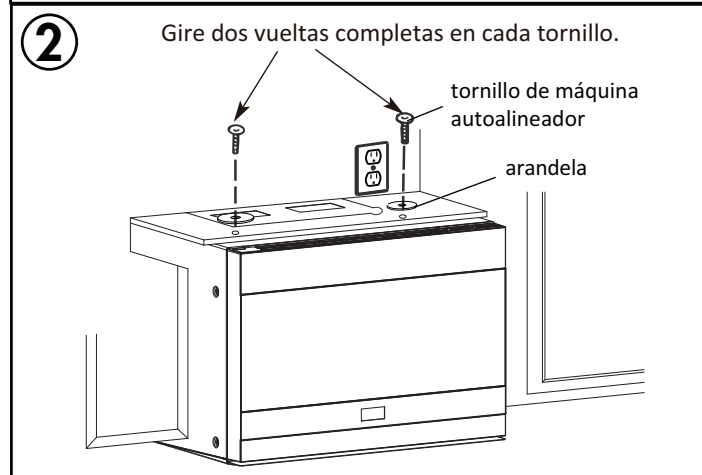
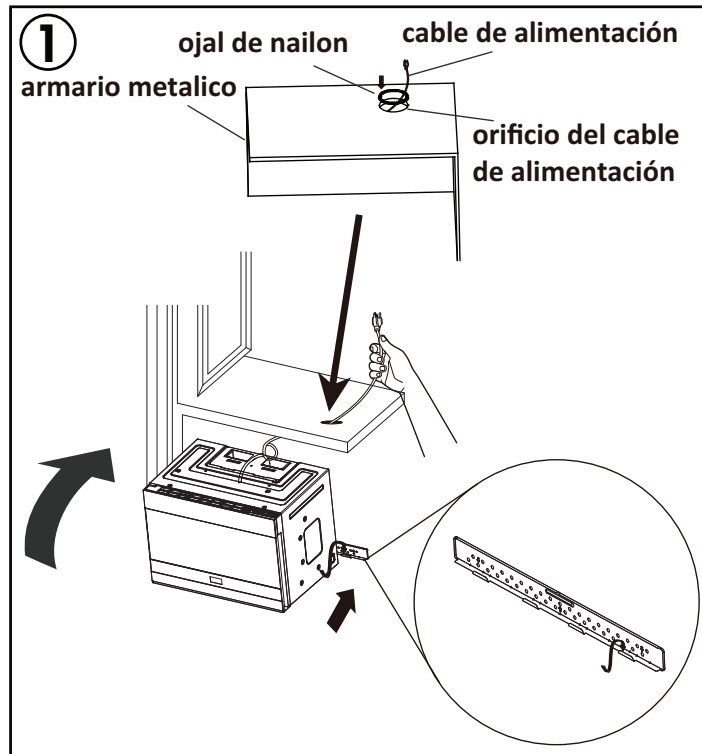
## Montaje del horno de microondas

Se deben utilizar dos personas para instalar el microondas. No agarre ni use el mango durante la instalación.

Si los gabinetes circundantes son de metal, use la arandela de nailon alrededor del orificio del cable de alimentación para evitar dañar el cable.

Cuando monte el microondas, pase el cable de alimentación a través del orificio en el gabinete. Mantenga el cable tenso cuando monte el microondas para asegurarse de que no se pellizque. No levante el microondas por el cable.

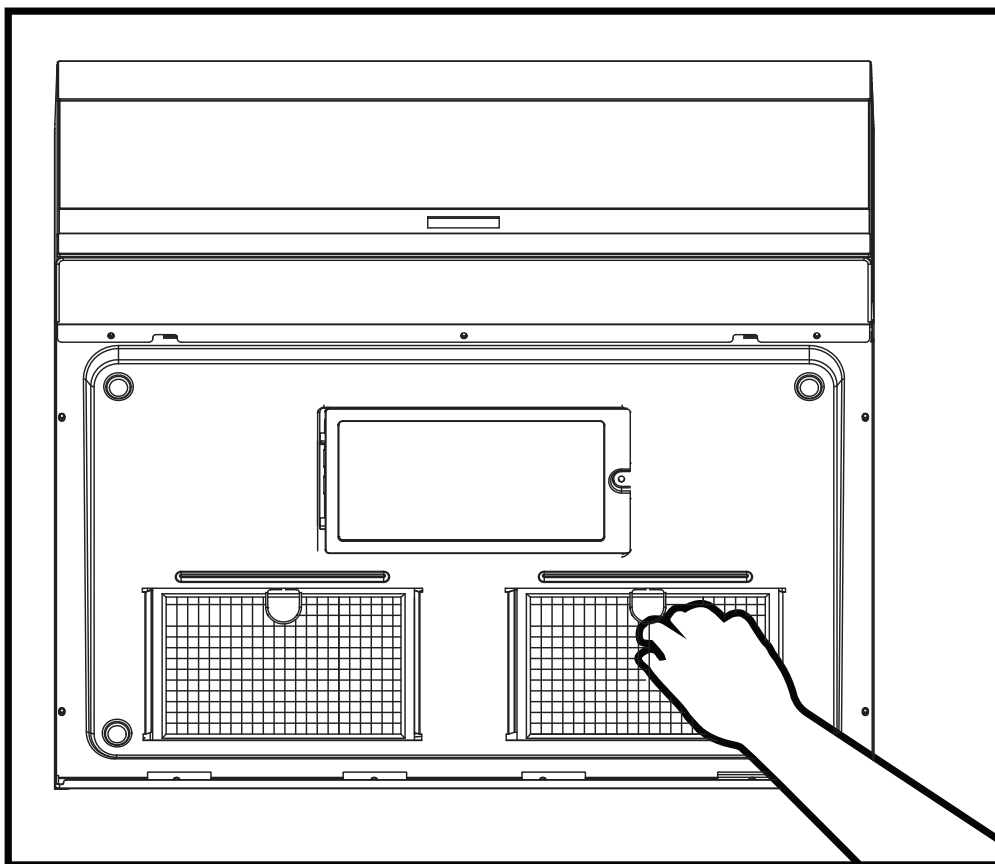
1. Levante el microondas, inclínelo hacia adelante y enganche las ranuras en la parte posterior del microondas en las pestañas inferiores de la placa de montaje. Gire la parte delantera del microondas contra la parte inferior del gabinete.
2. Inserte dos tornillos autoalineables con arandelas a través de los orificios superiores del gabinete y apriete dos vueltas.
3. Si el gabinete tiene un voladizo, inserte los bloques de relleno de madera antes de apretar completamente los tornillos.



## INSTRUCCIONES DE INSTALACIÓN - ESCAPE EXTERIOR TRASERO

### Install grease filters

Slide the grease filters into the openings in the bottom of the microwave until they click into place. The appliance should not be operated without the grease filters installed.



### Connecting ductwork

Adjust the exhaust adapter inside the cabinet so it can connect to the house duct.

Extend the house duct down to connect to the exhaust adapter.

Use duct tape to seal the exhaust duct joints.

## INSTRUCCIONES DE INSTALACIÓN - RECIRCULACIÓN (SIN VENTILACIÓN)

Use these instructions if the appliance will not be vented to the outside.

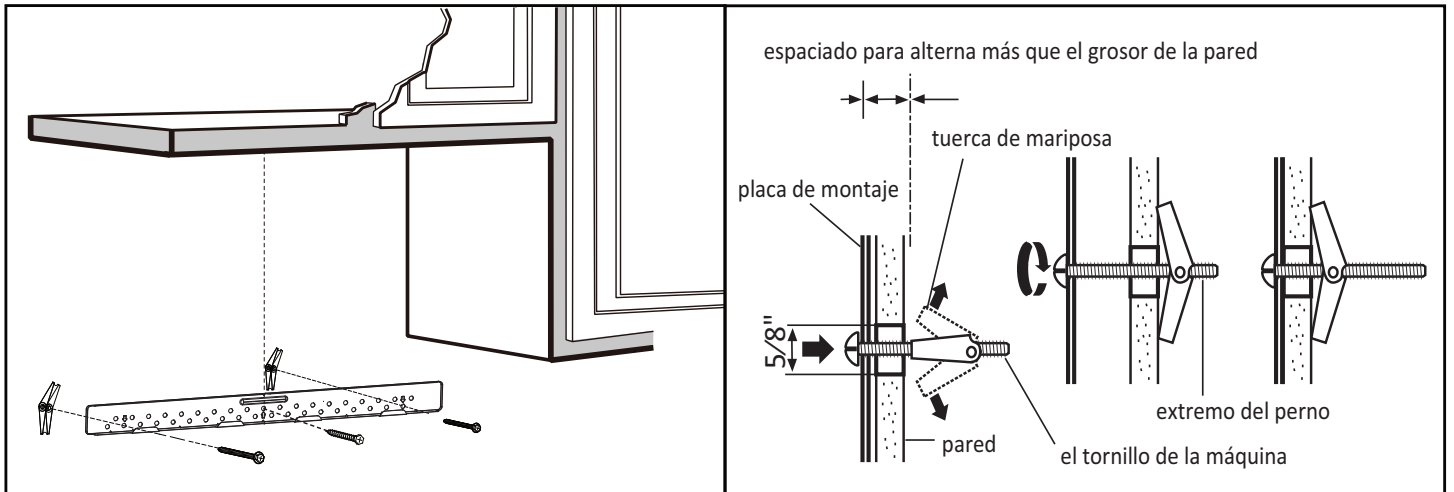
### Instale la placa de montaje

Use un taladro de 5/8" para hacer dos agujeros que entrarán en el panel de yeso. Use un taladro de 3/16" para hacer un agujero que entre en un montante de la pared. Utilice la plantilla de montaje para decidir la ubicación de los agujeros. Al menos un agujero debe entrar en un montante de pared.

Inserte los tornillos para metales en la placa de montaje a través de los orificios diseñados para entrar en paneles de yeso y fije las tuercas de mariposa 3/4" en cada tornillo para metales.

Coloque la placa de montaje contra la pared e inserte las tuercas de mariposa en los orificios de la pared. Las tuercas de mariposa se abrirán en el otro lado de la pared para asegurar el tornillo.

No coloque una tuerca de mariposa en el tornillo que se introducirá en el montante de la pared. Inserte un tornillo para madera a través de la placa de montaje y dentro del montante de la pared. Apriete todos los tornillos.

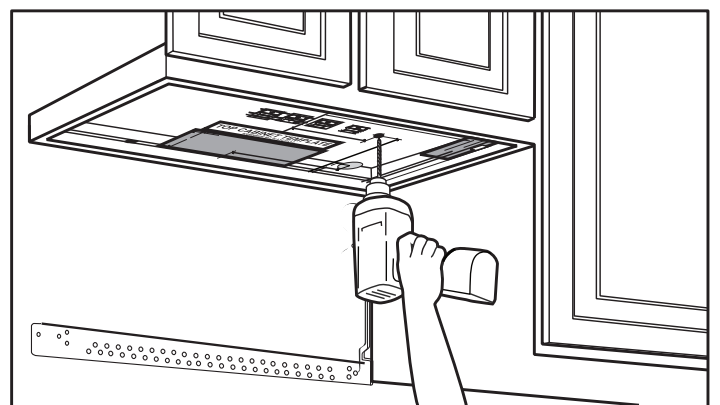


### Usando la plantilla del gabinete superior

Hay instrucciones en la plantilla del gabinete superior que detallan cómo debe usarse.

Pegue la plantilla del gabinete superior al lado inferior del gabinete donde se instalará el microondas.

Taladre orificios para los tornillos de soporte superiores, un orificio lo suficientemente grande para que pase el cable de alimentación y un corte lo suficientemente grande para el adaptador de escape.

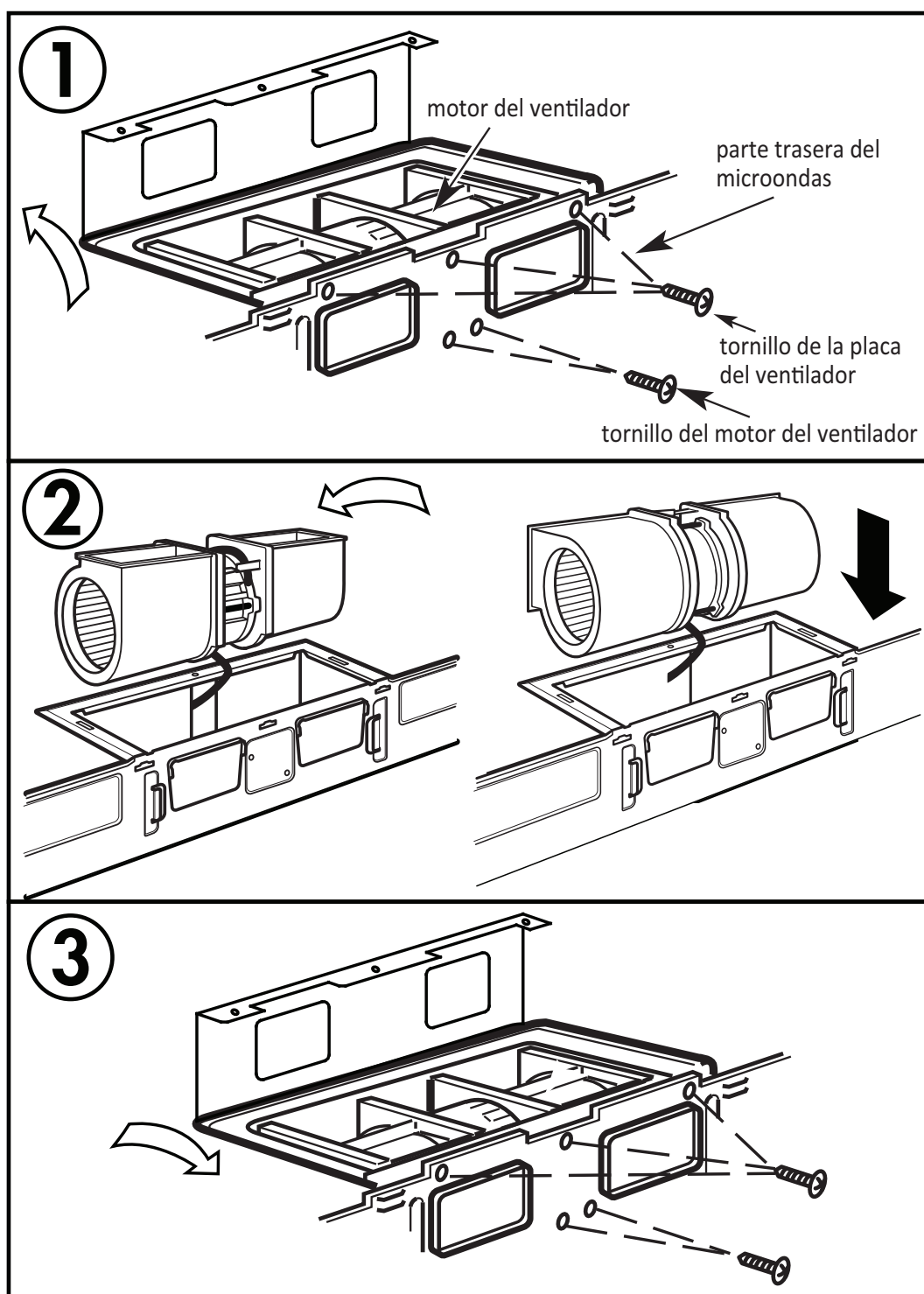




# INSTRUCCIONES DE INSTALACIÓN - RECIRCULACIÓN (SIN VENTILACIÓN)

## Adaptación del ventilador para el escape de recirculación

1. Retire los tornillos que aseguran el motor del ventilador. Levante la placa del ventilador.
2. Extraiga la unidad del ventilador. Tenga cuidado de no estirar los cables y asegúrese de que no queden pellizcados. Gire el soplador para que mire hacia el frente y vuelva a colocarlo en el aparato.
3. Asegure el motor del ventilador con tornillos. Asegure la placa del ventilador con tornillos.



# INSTRUCCIONES DE INSTALACIÓN - RECIRCULACIÓN (SIN VENTILACIÓN)

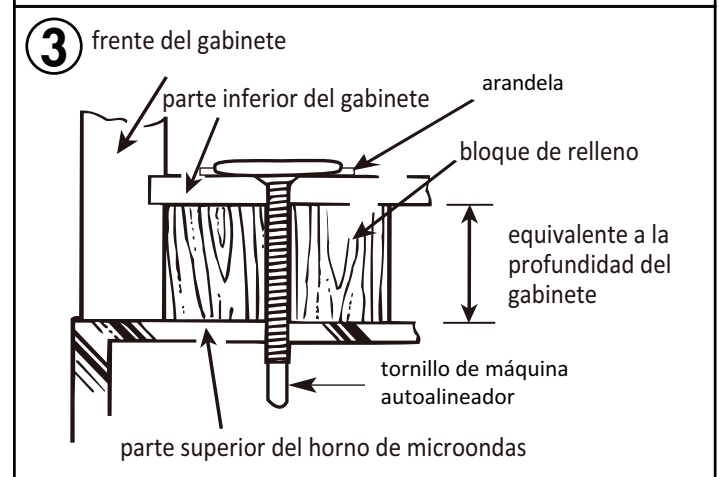
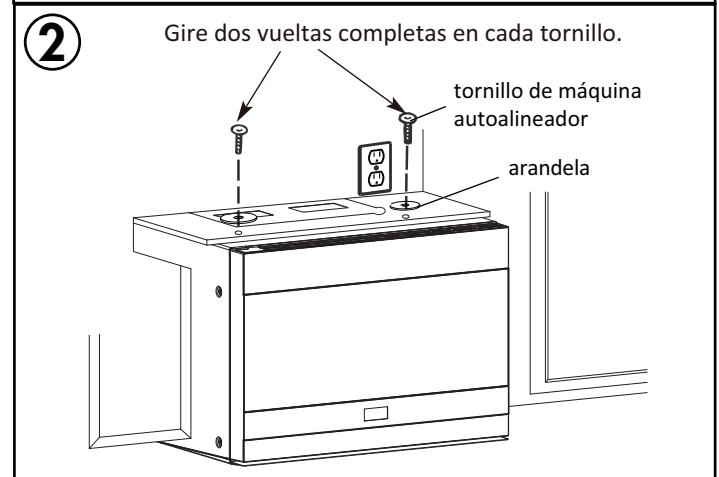
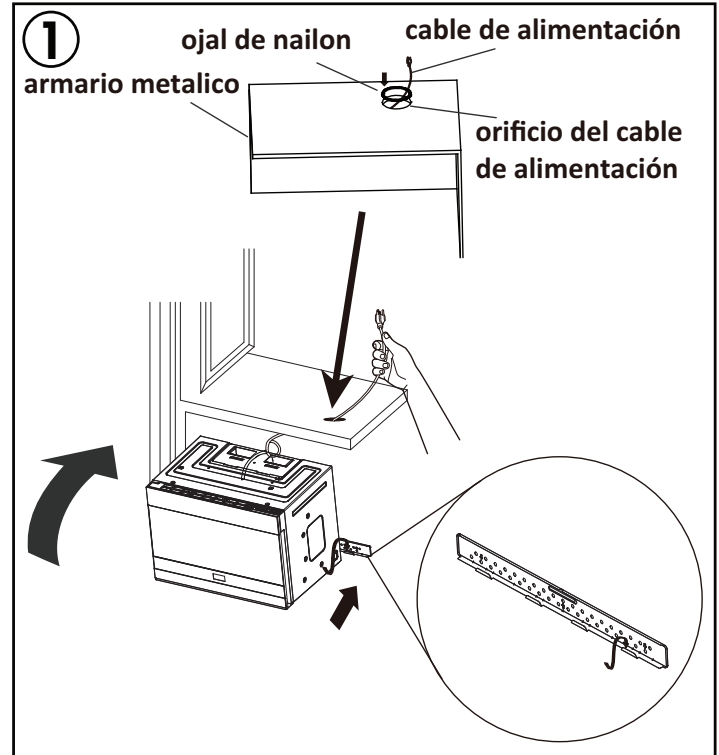
## Montaje del horno de microondas

Se deben utilizar dos personas para instalar el microondas. No agarre ni use el mango durante la instalación.

Si los gabinetes circundantes son de metal, use la arandela de nailon alrededor del orificio del cable de alimentación para evitar dañar el cable.

Cuando monte el microondas, pase el cable de alimentación a través del orificio en el gabinete. Mantenga el cable tenso cuando monte el microondas para asegurarse de que no se pellizque. No levante el microondas por el cable.

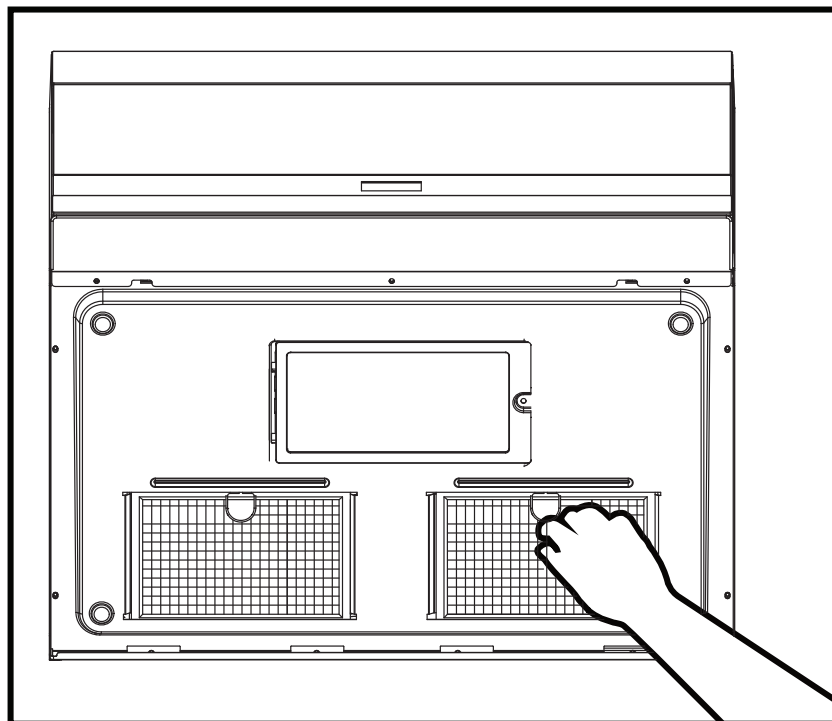
1. Levante el microondas, inclínelo hacia adelante y enganche las ranuras en la parte posterior del microondas en las pestañas inferiores de la placa de montaje. Gire la parte delantera del microondas contra la parte inferior del gabinete.
2. Inserte dos tornillos autoalineables con arandelas a través de los orificios superiores del gabinete y apriete dos vueltas.
3. Si el gabinete tiene un voladizo, inserte los bloques de relleno de madera antes de apretar completamente los tornillos.



# INSTRUCCIONES DE INSTALACIÓN - RECIRCULACIÓN (SIN VENTILACIÓN)

## Instalar filtros de grasa

Deslice los filtros de grasa en las aberturas en la parte inferior del microondas hasta que encajen en su lugar. El aparato no debe funcionar sin los filtros de grasa instalados.



## Recirculación de aire

No se requieren conductos para este tipo de instalación. El aire del aparato se escapará a través de la ventilación frontal y recirculará en el aire de la habitación.

## Filtro de carbón

El filtro de carbón debe usarse en instalaciones de recirculación sin ventilación. El filtro debe cambiarse cada 6 a 12 meses dependiendo del uso.

1. Retire los dos tornillos que sujetan la rejilla en la parte delantera del microondas.
2. Retire el filtro de carbón usado.
3. Instale el nuevo filtro de carbón. La malla de alambre del filtro debe ser visible desde el frente.
4. Vuelva a instalar la rejilla.

Para comprar filtros de reemplazo, comuníquese con el departamento de servicio al consumidor o visite [www.DanbyApplianceParts.com](http://www.DanbyApplianceParts.com) o [www.DanbyApplianceParts.ca](http://www.DanbyApplianceParts.ca)

