

DVG50R5200W

SAMSUNG

Samsung Top Load Gas Dryer with Sensor Dry

7.4 cu. ft. Capacity DOE



Signature Features

Sensor Dry

- Automatically optimizes the time and temperature of your drying cycle to protect your clothes from heat damage, while avoiding excessive energy use.

10 Preset Drying Cycles

- More cycles to cover almost every drying need for your active family.

Smart Care

- Easy troubleshooting from the convenience of your smartphone.¹ Smart Care interacts with your washer and dryer to perform an immediate diagnosis and offer quick solutions.

Available Color



White



Sensor Dry



Smart Care

Features

- Sensor Dry
- 10 Preset Drying Cycles
- Smart Care
- 9 Additional Drying Options
- Interior Drum Light
- 3-Way Venting
- Powder Coat Interior
- 5 Temperature Levels
- 7.4 cu. ft. Capacity
- Reversible Door
- LED Display: Ice Blue

Convenience

- Child Lock
- Lint Filter Indicator

¹Requires Samsung Smart Washer/Dryer App. The Samsung Smart Washer/Dryer app supports Android OS 2.3.6 or later and iOS 3 or later for iPhone models. Smart Washer/Dryer app available in App Store and Play Store.

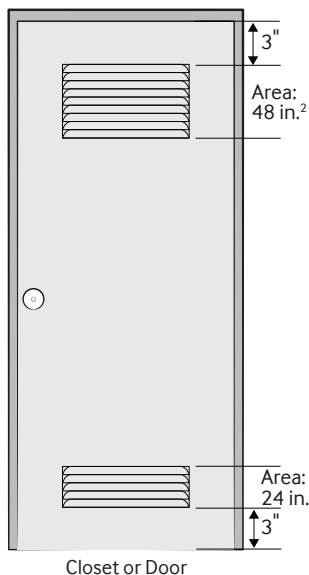
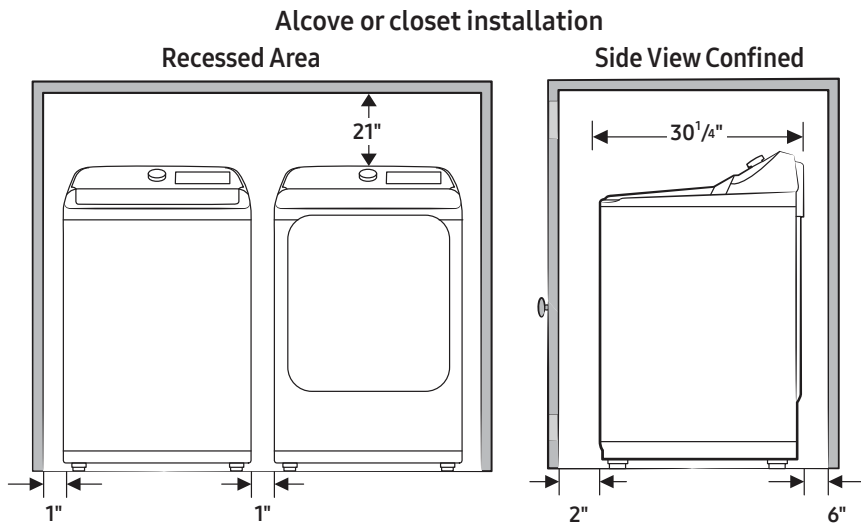
DVG50R5200W

SAMSUNG

Samsung Top Load Gas Dryer with Sensor Dry

7.4 cu. ft. Capacity DOE

Installation Specifications

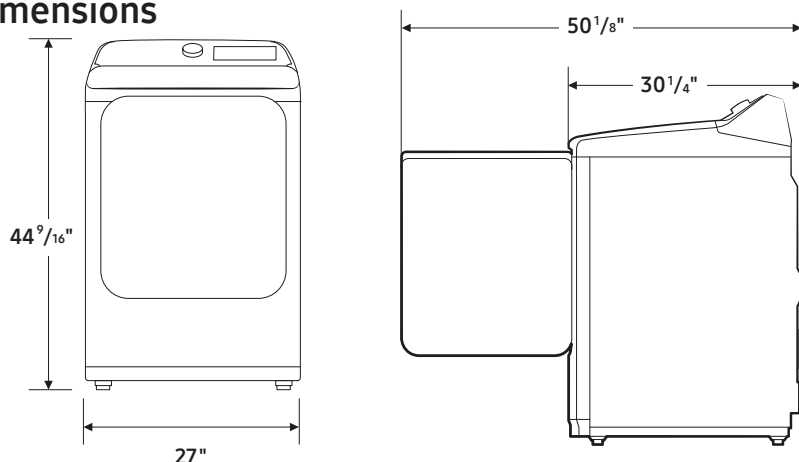


Minimum clearances for closets and alcoves:

- Sides – 1"
- Top – 21"
- Rear – 6"
- Closet Front – 2"

If both the washer and a dryer are installed in the same location, the front of the alcove or closet must have two unobstructed air openings for a combined minimum total area of 72-inch². This clearance requirement is applicable for washers only.

Dimensions



3-Way Venting

10 Preset Drying Cycles:

Normal, Heavy Duty, Permanent Press, Bedding, Delicates, Sanitize, Time Dry, Air Fluff, Quick Dry, Wrinkle Release

9 Additional Drying Options:

Damp Alert, Wrinkle Prevent, Adjust Time (Up), Adjust Time (Down), Child Lock, Alarm Off, Eco Dry, Smart Care, Drum Light

5 Temperature Levels:

High, Medium High, Medium, Medium Low, Low

5 Dry Levels:

More Dry, Normal-More Dry, Normal Dry, Normal-Less Dry, Less Dry

Warranty

One (1) Year Parts and Labor

Product Dimensions & Weight (WxHxD)

Dimensions: 27" x 44 9/16" x 30 1/4"

Weight: 119.0 lbs

Shipping Dimensions & Weight (WxHxD)

Dimensions: 29 9/16" x 46 15/16" x 31 3/16"

Weight: 125.7 lbs

Gas	Model #	UPC Code
White	DVG50R5200W	887276300764
Electric		
White	DVE50R5200W	887276300733
Matching Washer		
White	WA50R5200AW	887276300528
Accessories		
Vent Kit	DV-2A	887276146416

Actual color may vary. Design, specifications, and color availability are subject to change without notice. Non-metric weights and measurements are approximate.

©2019 Samsung Electronics America, Inc. 85 Challenger Road, Ridgefield Park, NJ 07660. Tel: 800-SAMSUNG. samsung.com. Samsung is a registered trademark of Samsung Electronics Co., Ltd.