

ASPIRE

HESTAN

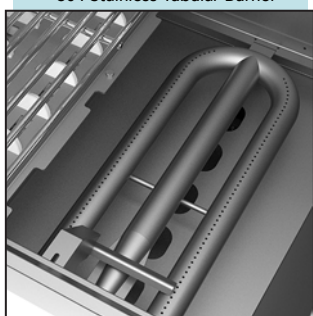
Zamak Die Cast Knobs



Interior Lighting



304 Stainless Tubular Burner



STANDARD FEATURES

- Available in 30", 36" and 42"
- Spring assist for ease of opening hood
- Two 20 watt halogen interior lights for the brightest illumination with simple touch on function
- Built-in ceramic infrared rotisserie burner from 12,000 to 18,000 Btu/hour (depending on model) with simple touch on function
- High performance 304 stainless steel tubular burner at 23,000 Btu/hour each
- 304 high polish 5/16" thick rod grate with easy lift opening
- High performance variable ceramic infrared sear burner at 23,000 Btu/hour
- Symmetrical flip to clean 304 radiant tray with ceramic disc briquettes*
- 519 square inch total grilling surface for 30" model. 647 square inch total grilling surface for 36" model. 774 square inch total grilling surface for 42" model.
- Warming rack - 147 square inches for the 30", 183 square inches for the 36", 219 square inches for 42"
- External rotisserie motor with a single speed, 3 rpm, 40 in-lbs motor (Rotisserie Models Only) with simple touch on function
- Marquise Accented™ control panel and hood handle with commercial grade end caps*
- Hot surface ignition system
- Lifetime warranty on welded body, stainless steel tubular burners, variable sear burners, and rotisserie burner
- 304 Heavy gauge welded body construction
- LED front control panel lighting with simple touch on function
- Monogrammed temperature gauge with cooking zone markings*
- Stainless steel removable drip tray for ease of cleaning with manual light clip
- Zamak die-cast knobs and bezels
- Porcelain broiling pan with stainless steel rotisserie spit and forks (Rotisserie Models Only)

BUILT-IN GRILLS



36" with Rotisserie Model Shown

OPTIONS & ACCESSORIES

- Natural Gas (NG) or Liquid Propane (LP)
- 9 Aspire signature color finishes
- 5/16" thick stainless steel DiamondCut Grates™ lasered in-house
- Charcoal Tray
- Griddle Insert
- High altitude kit
- Gas conversion kits (NG/LP)
- Infinite position monogrammed removable smoker and handle for wood chips or smoker pellets
- Vinyl Cover

* = patent pending

www.hestanaspire.com

phone 888.905.7463

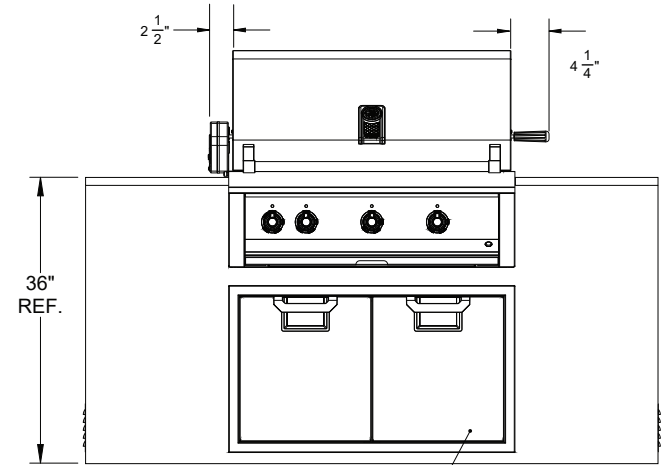
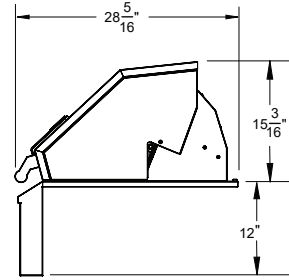
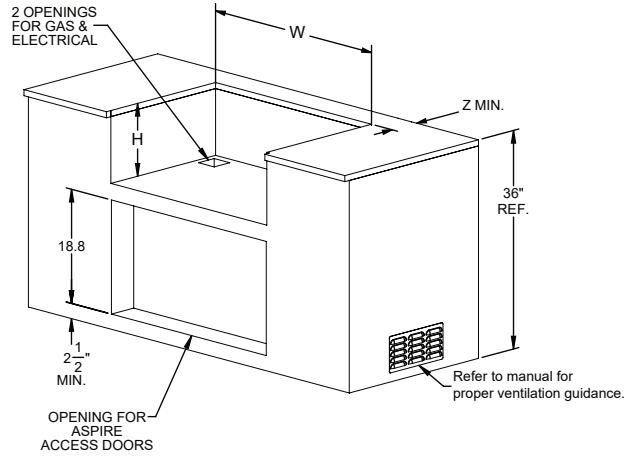
3375 E. La Palma Ave., Anaheim, CA 92806

BUILT-IN
GRILLS

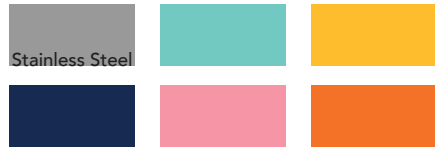
ASPIRE

HESTAN

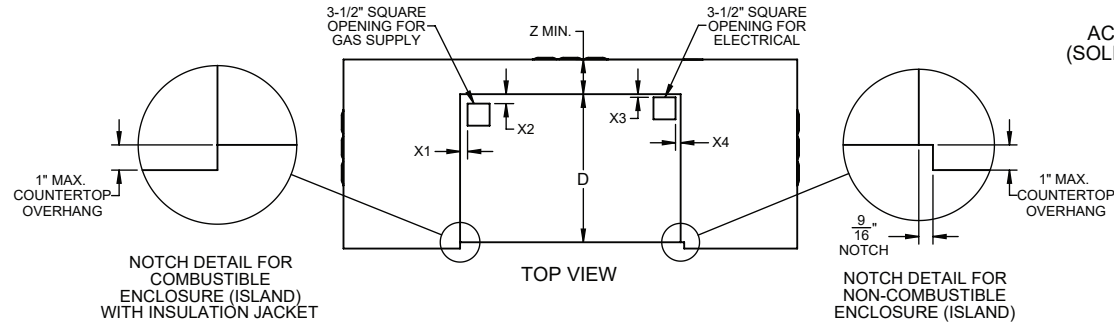
BUILT-IN GRILLS



Aspire Colors



Hestan Legacy Colors



GAS REQUIREMENTS : 1/2" NPT gas connection.

Minimum gas supply is 7" water column for natural gas and 11" for propane. Operating pressure at the manifold is 4" water column for natural gas and 10" for propane. All units require a regulated gas supply. (included)

ELECTRICAL REQUIREMENTS :

120V, 60Hz, 5 amps



Aspire by Hestan products are approved for outdoor use only. Hestan Commercial Corporation reserves the right to change materials and specifications without notice. Specify type of gas when ordering.

INSULATED JACKETS

Model Number	Description	W (in.)	D (in.)	H (in.)	X1 (in.)	X2 (in.)	X3 (in.)	X4 (in.)	Z (in.)
AGIJ30	Insulated Jacket, 30"	35	25-1/8	12-13/16	4-3/16	3-1/8	1-1/2	3-13/16	3-7/8
AGIJ36	Insulated Jacket, 36"	41	25-1/8	12-13/16	4-3/16	3-1/8	1-1/2	3-13/16	3-7/8
AGIJ42	Insulated Jacket, 42"	47	25-1/8	12-13/16	4-3/16	3-1/8	1-1/2	3-13/16	3-7/8

Built - In Models	Description	Cutout Dimensions								Total Btu's	Total Btu's with Rotis
		W (in.)	D (in.)	H (in.)	X1 (in.)	X2 (in.)	X3 (in.)	X4 (in.)	Z (in.)		
E__30-NG / -LP	30" Grill Built-in	29	23-1/2	11-1/2	1-3/16	1-1/2	1/4	13/16	5-1/2	46,000	58,000
E__36-NG / -LP	36" Grill Built-in	35	23-1/2	11-1/2	1-3/16	1-1/2	1/4	13/16	5-1/2	69,000	83,000
E__42-NG / -LP	42" Grill Built-in	41	23-1/2	11-1/2	1-3/16	1-1/2	1/4	13/16	5-1/2	92,000	110,000

__ = specify burner configuration AB = all U- Burners MB= 1 Sear and the rest Tubular U-Burners R= with Rotisserie