

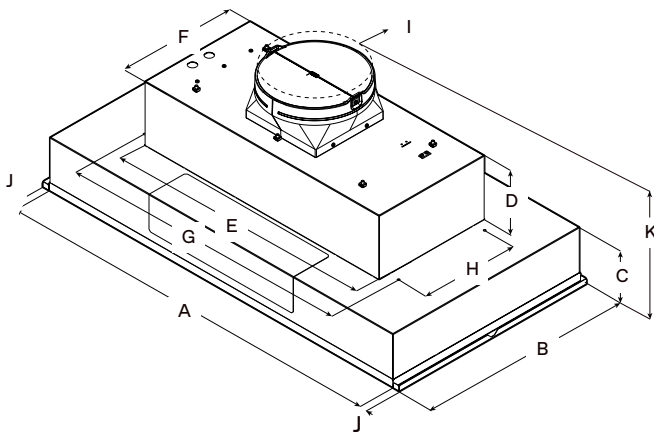
# Arezzo

## Insert hood



Learn more

### MEASUREMENTS



	EAR628S4	EAR634SS* EAR134S4**	EAR140S4	EAR146S4
A	28 1/2" (72.4 cm)	34 1/2" (87.6 cm)	40 1/2" (103 cm)	46 1/2" (118 cm)
B	22" (55.9 cm)			
C	5 7/16" (13.8 cm)			
D	6 1/2" (16.4 cm)			
E	22 1/2" (56 cm)	27 9/16" (70 cm)		
F	12 7/16" (31.6 cm)			
G	24 7/16" (62 cm)	29 13/16" (75.7 cm)		
H	10 1/8" (25.7 cm)			
I	6" (15.2 cm)	6" (15.2 cm)* 8" (20.3 cm)**	8" (20.3 cm)	8" (20.3 cm)
J	3/4" (1.9 cm)			
K	16 1/16" (42.3 cm)			

### DESCRIPTION

Arezzo provides professional grade performance, while being discreetly mounted inside the cabinetry.

Available in 28 1/2" and 34 1/2" width with a 600 CFM blower, and equipped with a 1200 CFM blower for widths of 34 1/2", 40 1/2" and 46 1/2" for extraordinary ventilating power.

The extra depth (22") is ideal for supporting powerful professional ranges. Plus the All-In-One design avoids the need to purchase a stainless liner. Hidden metallic in/out knob controls operate the 4-speed blower and LED lighting.

\*Damp-location approved



### FEATURES

- Hush system
- Heat guard
- Professional performance
- Grease collectors
- Seamless look



### GENERAL PROPERTIES

	28"	34"	40"	46"
Width	28"	34"	40"	46"
Model	EAR628S4	EAR634SS* EAR134S4**	EAR140S4	EAR146S4
Dimensions	28 <sup>1</sup> / <sub>2</sub> "W x 22"D x 11 <sup>7</sup> / <sub>8</sub> "H	34 <sup>1</sup> / <sub>2</sub> "W x 25"D x 11 <sup>7</sup> / <sub>8</sub> "H	40 <sup>1</sup> / <sub>2</sub> "W x 22"D x 11 <sup>7</sup> / <sub>8</sub> "H	46 <sup>1</sup> / <sub>2</sub> "W x 22"D x 11 <sup>7</sup> / <sub>8</sub> "H
Blower Type <sup>1</sup> (Internal)	600 CFM (4-speed)	600 CFM (4-speed)* 1200 CFM (4-speed)**	1200 CFM (4-speed)	
Noise (Min-max sones) <sup>1</sup>	1.7-7.0 Sones	1.7-8.5 Sones* 1.7-7.0 Sones**	1.7-8.5 Sones	
Electrical	120V-60Hz,463W*	120V-60Hz,490W* 120V-60Hz,913W**	120V-60Hz,926W	
Illumination	2 LED, 6.5W, 3000K, 540 Lumen		4 LED, 6.5W, 3000K, 540 Lumen	
Finish	Stainless Steel			
Controls	Fully Retractable Rotating Knobs with Blue backlighting			
Grease filters	Dishwasher-Safe, Professional Stainless Steel Angled Baffle Filters (2 for 28",34",40" & 3 for 46")			
Installation type	Ducted or recirculating w/kit			
Duct transition	6" Round with Backdraft Damper (Top Only)	6" / 8"*** Round with Backdraft Damper (Top Only)	8" Round with Backdraft Damper (Top Only)	8" Round with Backdraft Damper (Top Only)

### KITS

External Blower	KIT0153054 (1200 CFM blower 8" or 10" compatible)
Inline Blower	KIT0154387 (1200 CFM blower 8" or 10" compatible)
Inline Blower Shell (1200 CFM)	KIT0179549 (for use with 1200 CFM blower, 8" or 10" compatible)
Inline Blower Shell (600 CFM)	KIT0205342 (for use with 600 CFM blower, 6" compatible)
External Blower Shell	KIT0179547 (for use with 1200 CFM blowers only)
Recirculation (600 CFM)	KIT0192765 (4 round carbon filters)+ KIT0195736 (6" round deflector)
Recirculation (1200 CFM)	KIT0192765 (4 round carbon filters) + KIT0192763 (8" round deflector)
Electronic CFM Reduction Bypass	KIT0185752 (Achieve <300 CFM, for 600 CFM Blower) KIT0185099 (Achieve <400 CFM, for 1200 CFM Blower)

**WARRANTY:<sup>2</sup> Two (2) Years Parts & In-Home Labor. Earn an additional One (1) Year of Parts & In-Home Labor by registering on [elica.com](http://elica.com)**



The product images shown are for illustration purposes only and may not be an exact representation of the product.

<sup>1</sup> CFM and Noise data indicate the performance of the hood blower tested according to international standards. For AHAM Certified Ratings, established in accordance with California Title 24 Standardized test procedure, please refer to AHAM Certified Product Directory. Electric Ratings are declared according to UL.

<sup>2</sup> For valid warranty extension, register within 3 months from purchase. For USA & Canada Users Only.