



Dual Fuel Range

36" Dual-Fuel Freestanding Range

ECFD3668AS

Available Colors : Stainless Steel

Version : 01/21

Cooktop

| | |
|----------------------|------------|
| Cooking Surface Type | Gas |
| Grate Material | Cast Iron |
| Grate Quantity | 3 |
| Grate Style | Continuous |
| Sealed Burners | Yes |

Cooktop Performance

| | |
|-----------------------------|-----------------------|
| Right Front Element Burner | 18,000 / 750 BTU Dual |
| Right Rear Element Burner | 12,000 / 750 BTU Dual |
| Left Front Element Burner | 18,000 / 750 BTU Dual |
| Left Rear Element Burner | 12,000 / 750 BTU Dual |
| Center Front Element Burner | 12,000 / 750 BTU Dual |
| Center Rear Element Burner | 12,000 / 750 BTU Dual |

Cooking Controls

| | |
|---------------------|-----|
| Bake | Yes |
| Bread Proof | Yes |
| Broil | Yes |
| Child Lock | Yes |
| Convection Bake | Yes |
| Convection Roast | Yes |
| Cook Time | Yes |
| Delay Start | Yes |
| Keep Warm | Yes |
| Kitchen Timer | Yes |
| Probe | Yes |
| Steam Clean | Yes |
| Temperature Display | Yes |

Cooking Controls Function

| | |
|---------------|-----|
| Timed Cooking | Yes |
|---------------|-----|

Oven

| | |
|-------------------|-------------|
| Bake Element Type | Hidden |
| Bake Element | 3,300 Watts |

| | |
|---------------------------|--------------------|
| Broil Element | 3,300 Watts |
| Convection Type | True Dual |
| Convection Element | 3,380 Watts |
| Number of Convection Fans | 2 |
| Rack Position Type | Ladder |
| Number of Rack Positions | 5 |
| Rack Type 1 | Flat |
| Rack Type 1 Quantity | 2 |
| Rack Type 2 | Glide |
| Rack Type 2 Quantity | 1 |
| Oven Interior Color | Gray |
| Window Type | Extra Large Visual |
| Oven Light Type | Halogen |
| Oven Light Quantity | 2 |
| Oven Light Watts | 40 Watts |

Controls

| | |
|--------------|-----|
| Sabbath Mode | Yes |
|--------------|-----|

Display

| | |
|------------------|-------|
| Control Location | Front |
| Display Type | LED |

Dimensions and Volume

| | |
|--------------------------|-------------|
| Minimum Height | 35.563" |
| Maximum Height | 36.563" |
| Width | 35.938" |
| Depth | 25 7/8" |
| Depth With Door 90° Open | 43 94/100" |
| Oven Interior Height | 14 1/2" |
| Oven Interior Width | 28 1/4" |
| Oven Interior Depth | 16 1/2" |
| Oven Capacity | 4.4 Cu. Ft. |

Electrical Specifications

| | |
|--------------------------|---------|
| Minimum Circuit Required | 30 Amps |
|--------------------------|---------|

High standards of quality at Electrolux Home Products, Inc. mean we are constantly working to improve our products. We reserve the right to change specifications or discontinue models without notice.

Electrolux Major Appliances, N.A.

USA • 10200 David Taylor Drive • Charlotte, NC 28262 • Charlotte, NC 28262 • 1-877-4electrolux (1-877-435-3287) • electroluxappliances.com

CANADA • 5855 Terry Fox Way • Mississauga, ON L5V 3E4 • 1-800-265-8352 • electroluxappliances.ca

36" Dual-Fuel Freestanding Range

ECFD3668AS

Version : 01/21

| | |
|----------------|-------|
| Voltage Rating | 240 V |
|----------------|-------|

Installation

| | |
|--------------------------|-----|
| Adjustable Leveling Legs | Yes |
|--------------------------|-----|

| | |
|----------------------------|-----|
| LP Conversion Kit Included | Yes |
|----------------------------|-----|

| | |
|---------------------|-----|
| Power Cord Included | Yes |
|---------------------|-----|

General Specifications

| | |
|----------------|---------|
| Product Weight | 360 lbs |
|----------------|---------|

| | |
|---------------|-----|
| Prop 65 Label | Yes |
|---------------|-----|

| | |
|------------------|--------|
| Warranty - Labor | 1 Year |
|------------------|--------|

| | |
|------------------|--------|
| Warranty - Parts | 1 Year |
|------------------|--------|

Safety Certifications & Approvals

| | |
|------------|-----|
| CSA Listed | Yes |
|------------|-----|

| | |
|------|-----|
| RoHS | Yes |
|------|-----|

High standards of quality at Electrolux Home Products, Inc. mean we are constantly working to improve our products. We reserve the right to change specifications or discontinue models without notice.

Electrolux Major Appliances, N.A.

USA • 10200 David Taylor Drive • Charlotte, NC 28262 • Charlotte, NC 28262 • 1-877-4electrolux (1-877-435-3287) • electroluxappliances.com

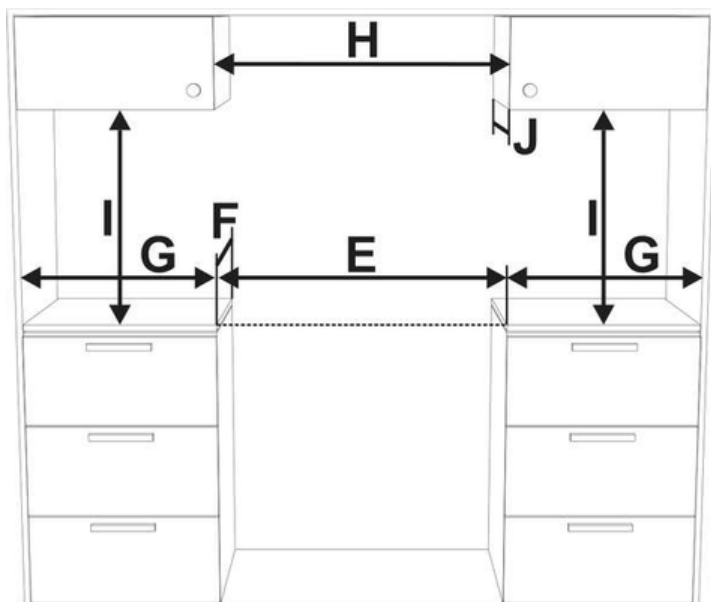
CANADA • 5855 Terry Fox Way • Mississauga, ON L5V 3E4 • 1-800-265-8352 • electroluxappliances.ca

Electrolux

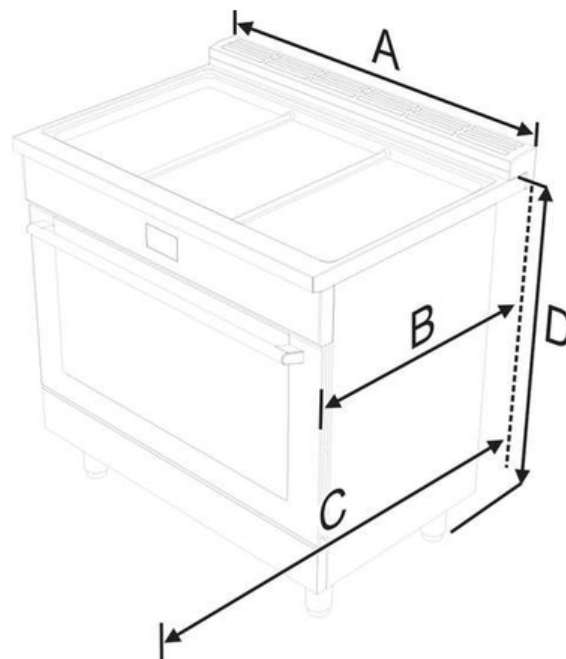
36" Dual-Fuel Freestanding Range

ECFD3668AS

Version : 01/21



| | | |
|----------|-------------|----------|
| E | min. 914 mm | min. 36" |
| F | 628 mm | 24" 5/8 |
| G | min. 508 mm | min. 20" |
| H | min. 914 mm | min. 36" |
| I | min. 457 mm | min. 18" |
| J | max. 330 mm | max. 13" |



| | | |
|----------|----------------------------|--------------------------------|
| A | 912.4 mm | 35 15/16" |
| B | min: 654 mm max: 658 mm | min: 25 3/4" max: 25 7/8" |
| C | 1116 mm | 43 15/16" |
| D | min: 903 mm max: 929 mm | min: 35 9/16" max: 36 9/16" |

High standards of quality at Electrolux Home Products, Inc. mean we are constantly working to improve our products. We reserve the right to change specifications or discontinue models without notice.

Electrolux Major Appliances, N.A.

USA • 10200 David Taylor Drive • Charlotte, NC 28262 • Charlotte, NC 28262 • 1-877-4electrolux (1-877-435-3287) • electroluxappliances.com

CANADA • 5855 Terry Fox Way • Mississauga, ON L5V 3E4 • 1-800-265-8352 • electroluxappliances.ca