

INSTALLATION INSTRUCTIONS

30" ELECTRIC RANGE

INSTALLATION AND SERVICE MUST BE PERFORMED BY A QUALIFIED INSTALLER.

IMPORTANT: SAVE FOR LOCAL ELECTRICAL INSPECTOR'S USE.

READ AND SAVE THESE INSTRUCTIONS FOR FUTURE REFERENCE.

⚠ WARNING FOR YOUR SAFETY: Do not store or use gasoline or other flammable vapors or liquids near this or any other appliance.

Table of Contents

IMPORTANT SAFETY INSTRUCTIONS	2
Product Dimensions	3
Cabinet clearances	4
Location of the grounded outlet	4
Installing the backguard	5
Installing the front/side skirting	5
Island installation	6
Unpacking, moving and positioning the range	7
Electrical connection	8
Wall and floor attachment	9
Door removal	12

Important Notes to the Installer

1. Read all instructions contained in these installation instructions before installing the range.
2. Remove all packing materials from the oven and the drawer compartments before connecting the electrical supply to the range.
3. Observe all governing codes and ordinances. Be sure to leave these instructions with the consumer.

Important Note to the Customer

Keep these instructions with your owner's guide for future reference.

30" ELECTRIC RANGE INSTALLATION INSTRUCTIONS

IMPORTANT SAFETY INSTRUCTIONS

This manual contains important safety symbols and instructions. Please pay attention to these symbols and follow all instructions given.

⚠ WARNING This symbol will help alert you to situations that may cause serious injury death or property damage.

⚠ CAUTION This symbol will help alert you to situations that may cause injury or property damage.

⚠ CAUTION Cold temperatures can damage the electronic control. When using the appliance for the first time, or when the appliance has not been used for a long time, make sure that the unit has been in temperatures above 32°F (0°C) for at least 3 hours before turning on the power to the appliance.

- **Make sure your range is installed and grounded properly by a qualified installer or service technician.**
- **This range must be electrically grounded in accordance with local codes or, in their absence, with the National Electrical Code ANSI/NFPA No. 70—latest edition in United States or with CSA Standard C22.1, Canadian Electrical Code, Part 1 in Canada.**
- The installation of appliances designed for manufactured (mobile) home installation must conform with Manufactured Home Construction and Safety Standard, title 24CFR, part 3280 [Formerly the Federal Standard for Mobile Home Construction and Safety, title 24, HUD (part 280)] or when such standard is not applicable, the Standard for Manufactured Home Installation 1982 (Manufactured Home Sites, Communities and Setups), ANSI Z225.1/NFPA 501A-latest edition, or with local codes in United States and with CAN/CSA-Z240 MH in Canada.
- **Make sure the wall coverings around the range can withstand the heat generated by the range.**

- **Before installing the range in an area covered with linoleum or any other synthetic floor covering, make sure the floor covering can withstand heat at least 90°F (32.2°C) above room temperature without shrinking, warping or discoloring.** Do not install the range over carpeting unless you place an insulating pad or sheet of ¼" (0.64 cm) thick plywood between the range and carpeting.

⚠ WARNING Never leave children alone or unattended in the area where an appliance is in use. As children grow, teach them the proper, safe use of all appliances. Never leave the oven door open when the range is unattended.

⚠ WARNING Stepping, leaning or sitting on the door or drawer of this range can result in serious injuries and can also cause damage to the range.

- **Do not store items of interest to children in the cabinets above the range.** Children could be seriously burned if they climb on the range to reach items.
- **To eliminate the risk of burns or fire by reaching over hot surface units, cabinet storage space above the surface unit should be avoided.** If cabinet storage is to be provided, the risk can be reduced by installing a range hood that projects a minimum of 5 inches horizontally beyond the bottom of the cabinet.
- **Do not use the oven as a storage space.** This creates a potentially hazardous situation.
- **Never use your range for warming or heating the room.** Prolonged use of the range without adequate ventilation can be dangerous.
- **Do not store or use gasoline or other flammable vapors and liquids near this or any other appliance.** Explosions or fires could result.
- **Reset all controls to the "OFF" position after using a programmable timing operation.**

30" ELECTRIC RANGE INSTALLATION INSTRUCTIONS

⚠ WARNING

Tip Over Hazard



- A child or adult could tip the range over and be killed.
- Install the anti-tip device on the floor or wall as per the installation instructions.
- Engage the range with the anti-tip device as per the installation instructions.

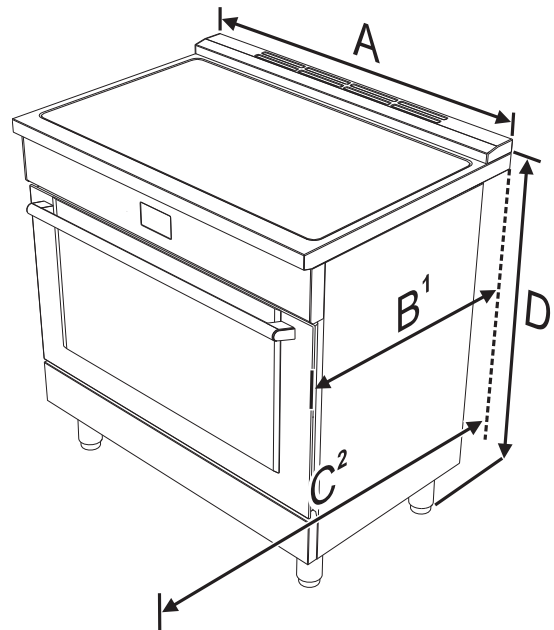
- Ensure the anti-tip device is re-engaged when the range is moved.
- Do not operate the range without the anti-tip device in place and engaged.
- Failure to follow these instructions can result in death or serious burns to children and adults.



To check if the anti-tip bracket is installed properly, use both arms and grasp the back edge of the range. Carefully attempt to tilt the range forward. When properly installed, the range should not tilt forward.

Refer to the anti-tip bracket installation instructions supplied with your range for proper installation.

Product Dimensions

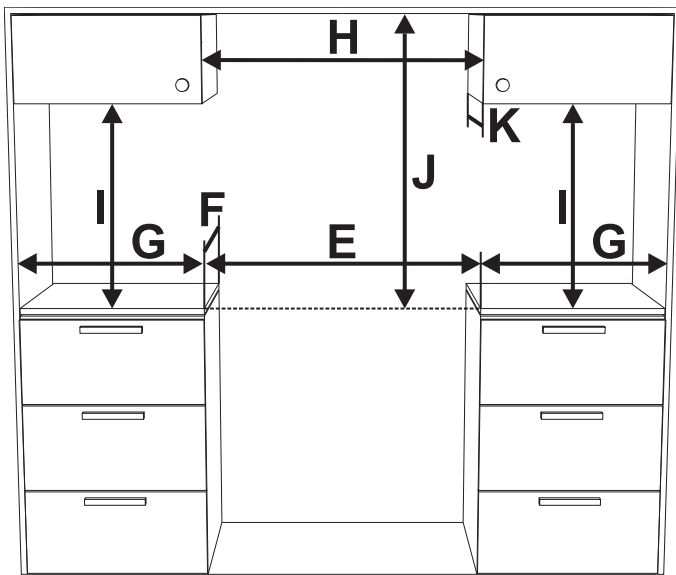


A	760 mm	29 15/16"
B¹	min: 627 mm max: 631 mm	min: 24 11/16" max: 24 13/16"
C²	1186 mm	46 11/16"
D	min: 898 mm max: 930 mm	min: 35 6/16" max: 36 5/8"

1. Measurement **B** varies according to the model: the minimum is obtained without the rear spacers (see "Island installation") and the maximum is obtained for traditional installation (slot-in installation - with the rear spacers).
2. Measurement **C** refers to the open door.

30" ELECTRIC RANGE INSTALLATION INSTRUCTIONS

Cabinet clearances

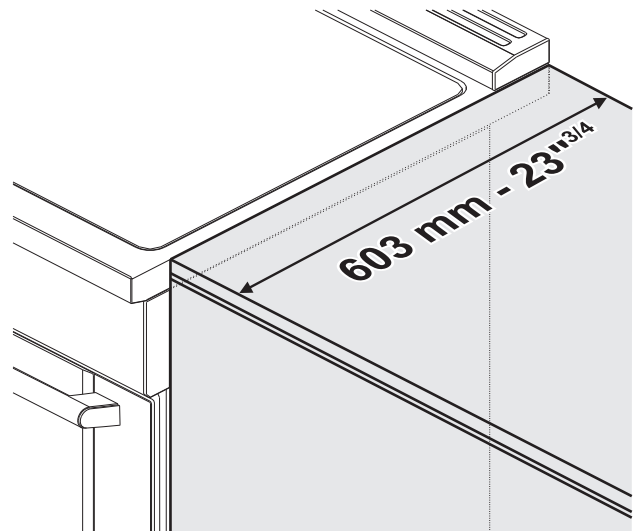


E	762 mm	30"
F	603 mm	23" 3/4
G	178 mm	7"
H	min. 914 mm	min. 36"
I	min. 457 mm	min. 18"
J	see notes below	
K	max. 330 mm	max. 13"

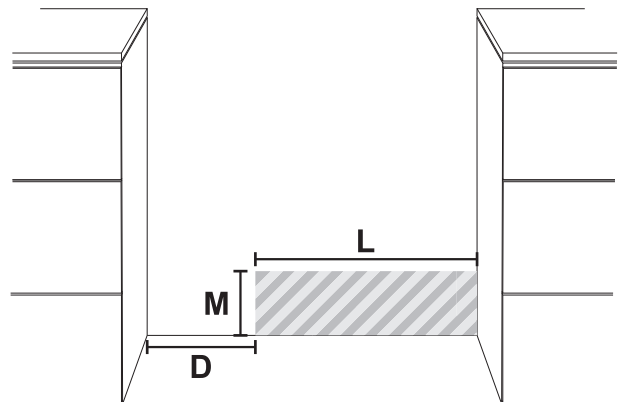
Clearance **J** can have the following values:

- **J = 30" / 762 mm** minimum clearance between the top of the cooking surface and the bottom of an unprotected wood or metal cabinet.
- **J = 24" / 610 mm** minimum when the bottom of wood or metal cabinet is protected by not less than 1/4-inch-thick flame-retardant millboard covered with not less than No. 28 MSG sheet steel, 0.015-inch-thick stainless steel, 0.024-inch-thick aluminum, or 0.020-inch-thick copper. Clearances from non-combustible materials are not part of the ANSI Z21.1 scope and are not certified by CSA. Clearances of less than 30" should be approved by the local codes and/or by the local authority having jurisdiction.

The side cabinet depth (clearance **F**) must match the front edge of the range side panel:



Location of the grounded outlet



The grounded outlet should be located in the high-lighted area in the image above. This area must have the following measures:

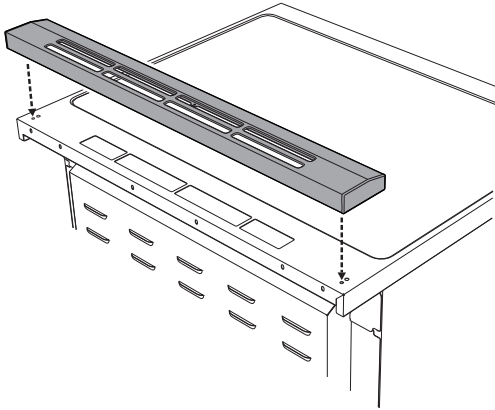
D	Min: 5" 7/8	Min: 150 mm
L	Min: 11" 7/8 Max: 24"	Min: 300 mm Max: 610 mm
M	Min: 2" Max: 9" 7/8	Min: 51 mm Max: 250 mm

30" ELECTRIC RANGE INSTALLATION INSTRUCTIONS

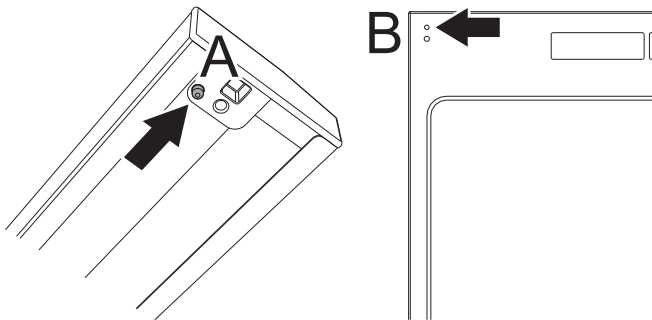
Installing the backguard

The backguard provided is an integral part of the appliance; it must always be positioned and secured correctly on the cooktop.

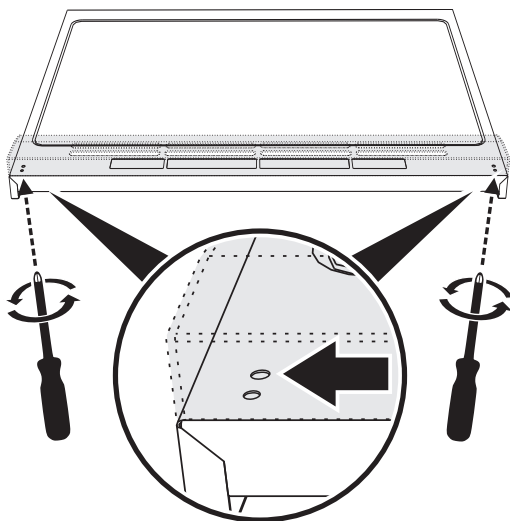
1. Position the backguard on the top.



2. Make sure that you align the pins (A) of the backguard with the holes (B) on the cooktop.



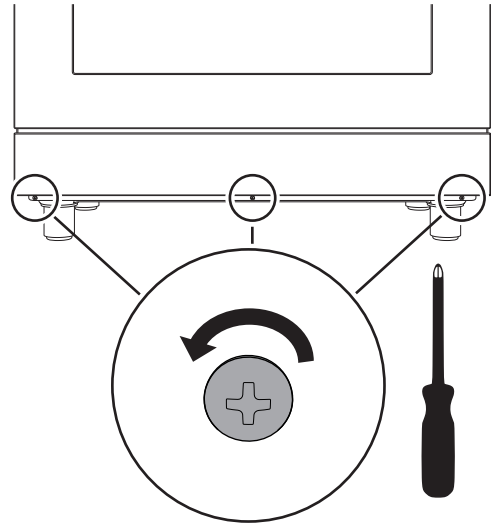
3. Secure the backguard to the top by the tightening the screws.



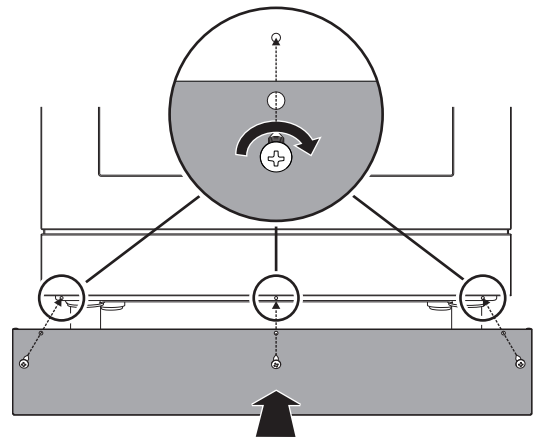
Installing the front/side skirting

The front skirting must always be correctly positioned and secured to the appliance.

1. Use a screwdriver to remove the front screws.

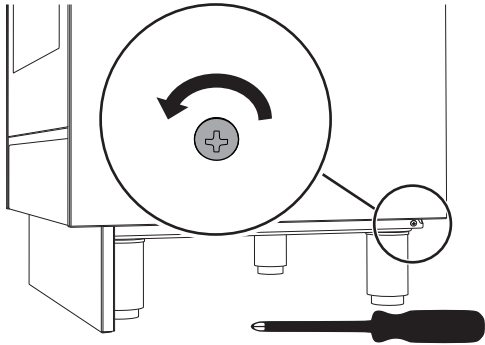


2. Position the front skirting at the bottom of the appliance and line up the holes on the side of the skirting with the holes on the base of the appliance.
3. Fasten the front skirting to the appliance using the screws that were previously removed.

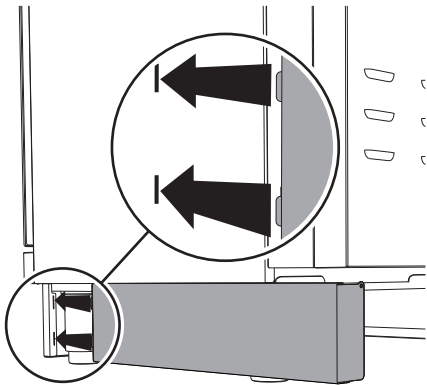


30" ELECTRIC RANGE INSTALLATION INSTRUCTIONS

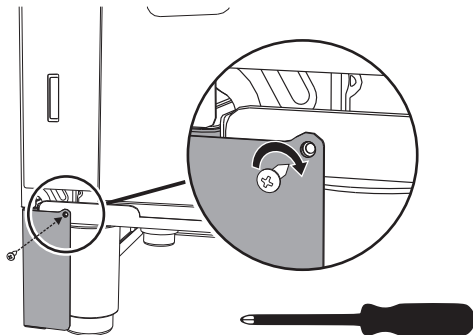
- After the front skirting has been installed, the side skirting can be fastened correctly to the appliance. Use a screwdriver to remove the side screws.



- Insert the tabs on the side skirting into the slots on the back of the front skirting.



- Line up the hole on the side skirting with the rear hole on the base of the appliance.
- Fasten the side skirting to the appliance using the screw that was previously removed.

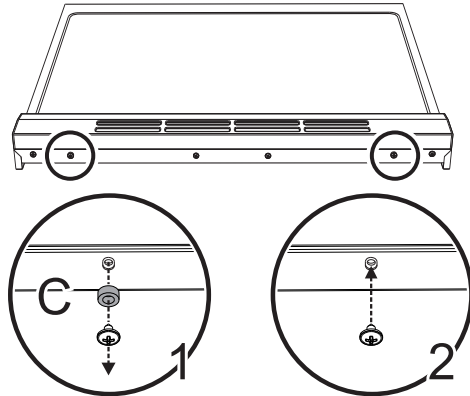


- Repeat the procedure for the other side skirting section.

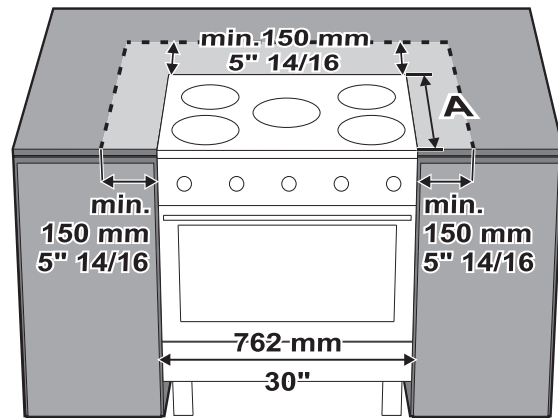
Island installation

If the appliance is installed as an island:

- Unscrew the screws indicated.
- Remove the spacers (C).
- Insert the screws that were previously removed into their seats.

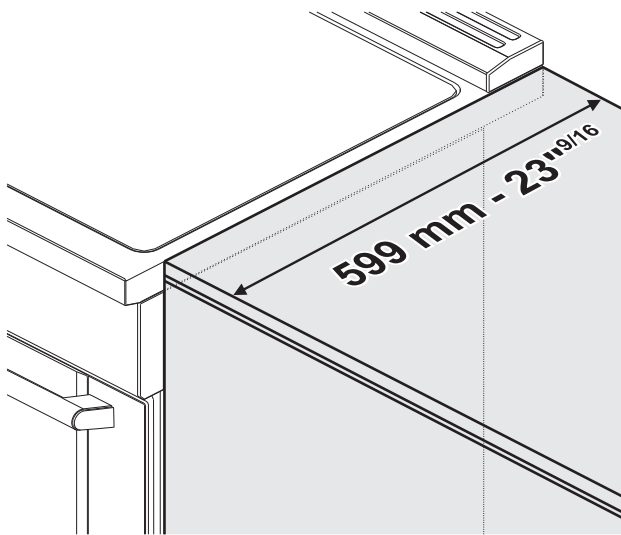


Keep a minimum clearance of 5 7/8" (150 mm) between the appliance and the other furnishings or decorative elements according to the diagram below.



30" ELECTRIC RANGE INSTALLATION INSTRUCTIONS

The side cabinet depth (clearance **A**) must match the front edge of the range side panel:

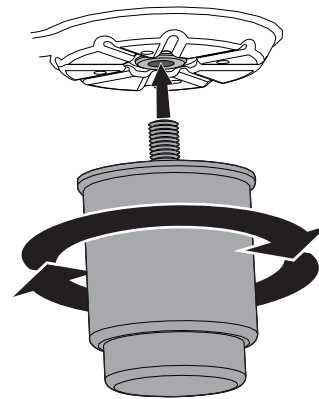


Unpacking, moving and positioning the range

CAUTION This unit is designed as a cooking appliance. For safety reasons, never use it for warming the room or as a space heater.

- It is recommended that the front kick panel, the backguard and oven racks be removed to facilitate handling. This will reduce the weight for moving.
- When positioning the appliance during installation, do not use the door handle to lift or move the appliance.
- The appliance can be moved with a hand dolly or with a clamp lift truck (not with a fork lift truck) only if it is still packaged.
- Wear gloves to avoid cutting fingers on sharp edges during installation.
- Remove the outer carton and packing material from the shipping base.
- Before moving range ensure legs are installed completely.
- Due to its weight, after removing the packing material, move it with the help of a second person.
- The floor under the legs should be protected (wood, strips, carpet, paneling, etc.) before pushing the unit into position.

- The anti-tip device must be installed, and the electrical connection should be made before the range is placed in its final position.
- Legs should be installed near to where the appliance will be used as they are not secure for long transit. Keep the unit raised so that the legs can be screwed into their couplings, then lower the range gently to prevent the legs and mounting hardware from being subject to any undue strain.

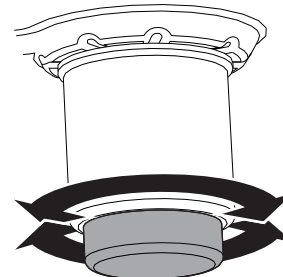


NOTE: First insert the front feet and then the rear ones.

The following is the correct order of installation and positioning:

1. Install and adjust the legs.
2. Install the front/side skirting.
3. Assemble and fix the anti-tip bracket to the floor or wall.
4. Connect the plug to the grounded outlet.
5. Move the range to its final position.

The adjustment range of the screw is 1.37 inches (35 mm).



The appliance must sit level on the floor to ensure stability:

- Screw or unscrew the bottom part of the foot until the appliance is stable and level on the floor.

NOTE: this appliance must only use the specific leveling legs provided by the manufacturer.

30" ELECTRIC RANGE INSTALLATION INSTRUCTIONS

Electrical connection

⚠ WARNING



Electrical shock hazard

- This appliance is equipped with a four-prong grounding plug for your protection against electric shock and should be plugged directly into a properly grounded receptacle. Do not cut or remove the grounding prong from this plug.
- The grounding prong must be plugged into a matching grounding type receptacle and connected to a correctly polarized 240-Volt circuit. If there is any doubt as to whether the wall receptacle is properly grounded, have it checked by a qualified electrician.

Failure to do any of the above could result in a fire, personal injury or electrical shock.

⚠ WARNING

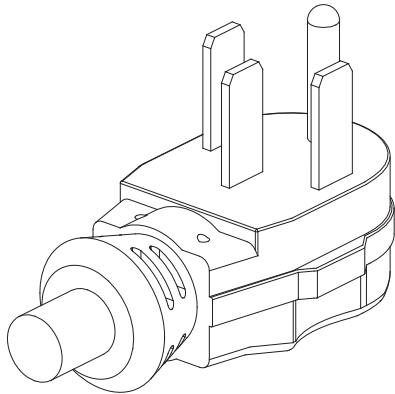


Electrical shock hazard

- For personal safety, this appliance must be properly grounded. For maximum safety, the power cord must be securely connected to an electrical outlet or junction box that is the correct voltage, is correctly polarized and properly grounded, and protected by a circuit breaker in accordance with local codes.
- It is the personal responsibility of the consumer to have the appropriate outlet or junction box with the correct, properly grounded wall receptacle installed by a qualified electrician. It is the responsibility and obligation of the consumer to contact a qualified installer to ensure that the electrical installation is suitable and in conformance with all local codes and ordinances.

30" ELECTRIC RANGE INSTALLATION INSTRUCTIONS

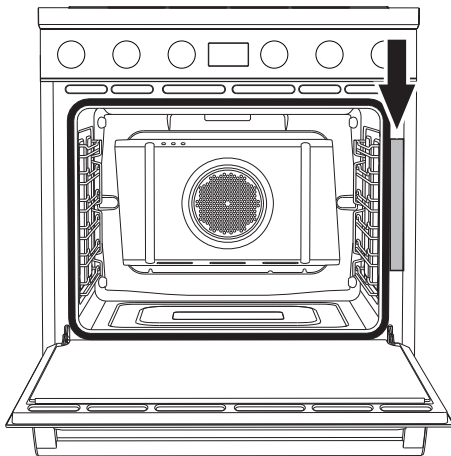
This range is equipped with a factory-connected power cord. The cord must be connected to a grounded 120/240 volt or 120/208 volt outlet. If no outlet is available, have one installed by a qualified electrician.



CAUTION Do not use multiple outlets, extension cords or adapters.

See the rating plate for technical specifications. The rating plate is visibly located on the right side of the oven door frame.

This ID plate must never be removed.



Wall and floor attachment

WARNING



Electrical shock hazard

- Use extreme caution when drilling holes in the wall or floor. There may be concealed electrical wiring behind the wall or under the floor.
- Identify the location of the electrical circuits that could be affected by the installation of the anti-tip device, then turn off power to these circuits.
- Failure to follow these instructions may result in electrical shock or other personal injury.

CAUTION

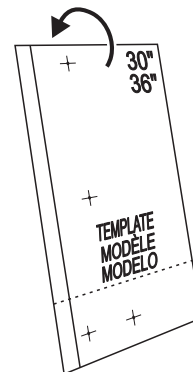
- Contact a qualified installer or contractor to determine the proper method for drilling holes through the wall or floor material (such as ceramic tile, hardwood, etc.)
- Failure to follow these instructions may result in damage to wall or floor coverings.

WARNING

Visually check from the inside of the drawer that the wall/floor-mounted bracket is inserted into the appropriate lateral hook (left side).

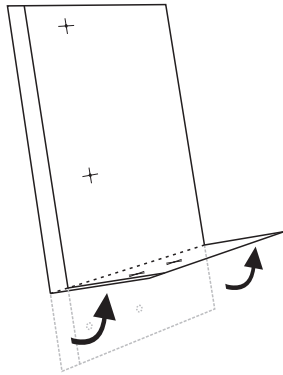
Positioning the bracket using the template:

1. Choose the correct side of the template, based on the model.

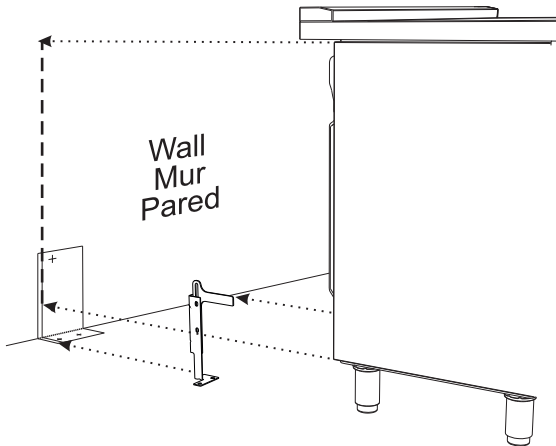


30" ELECTRIC RANGE INSTALLATION INSTRUCTIONS

2. Based on the model, fold the template sheet following the horizontal dashed line,.



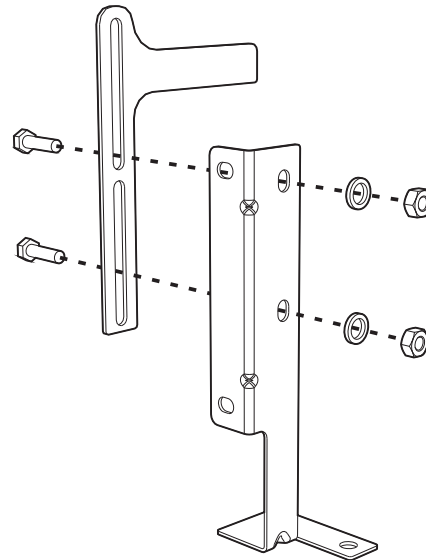
3. Place the template so that the thick vertical line drawn on it is aligned with the edge of the left side of the appliance.



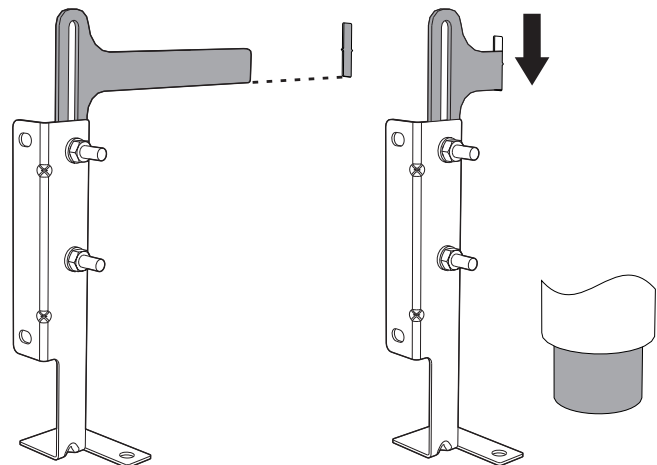
4. Mark the location of the screw holes, to wall or to floor depending of how you want to fix the bracket.
5. Fix the anti-tip bracket.

Installing the anti-tip bracket:

1. Ensure that the electrical connection is in the correct position.
2. Assemble the bracket.



3. Align the base of the hook of the bracket with the base on the slot of the rear wall fastening bracket. Align the base of the fastening bracket with the floor and tighten the screws to fix the measurements.

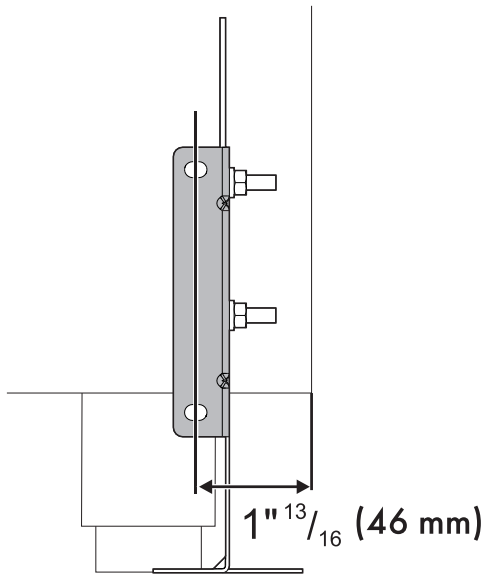


4. For wall mounting, follow the steps 5, 6, 9 and 10. For floor mounting follow the to steps 7, 8, 9 and 10.

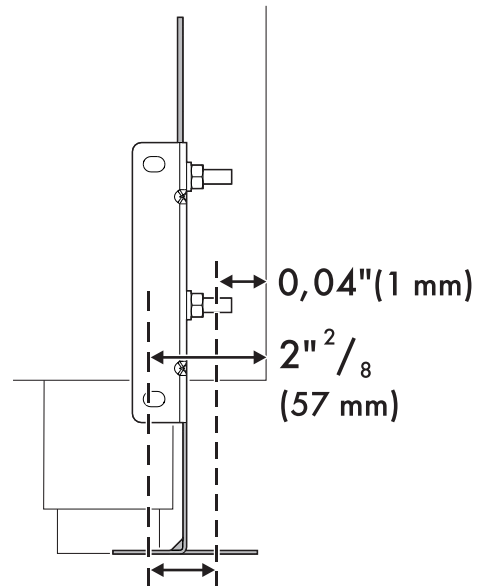
NOTE: The wall attachment is recommended if the appliance is placed against a wall. Floor attachment is recommended in case of island installation.

30" ELECTRIC RANGE INSTALLATION INSTRUCTIONS

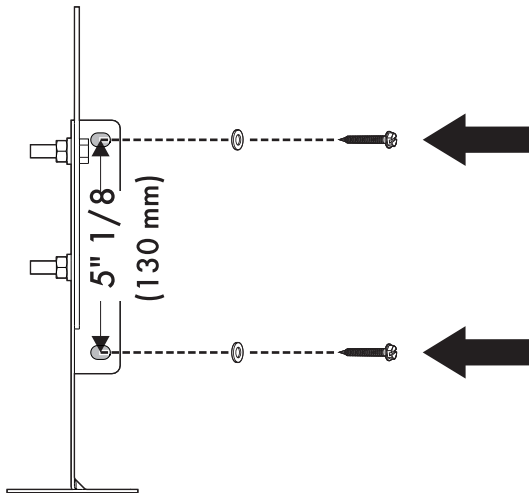
5. Use the specified distance from the side of the appliance to the bracket holes.



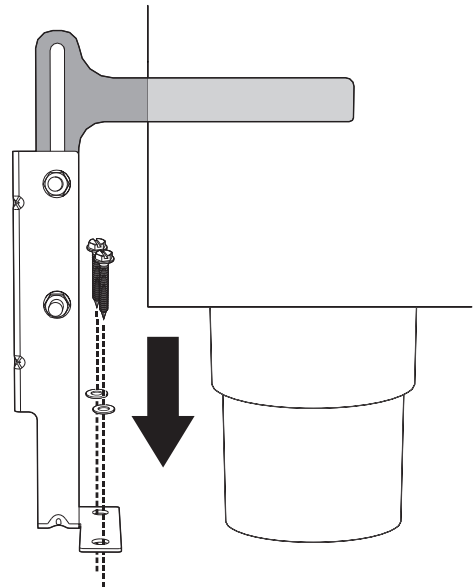
7. Use the following distances for the distance from the side of the appliance to the bracket holes.



6. Move the bracket to the wall and fix with the two washers and screws. A qualified technician must verify the suitability of the materials in accordance with the type and condition of the wall.

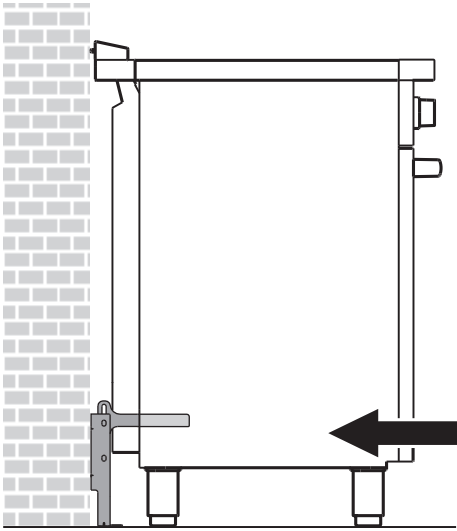


8. After having positioned and leveled the appliance, move the bracket close to the rear of the appliance and anchor it to the floor using the two washers and screws. A qualified technician must verify the suitability of the materials in accordance with the type and condition of the floor.



30" ELECTRIC RANGE INSTALLATION INSTRUCTIONS

9. Push the cooker towards the wall, and at the same time, insert the bracket in the plate that is fastened to the rear of the appliance.

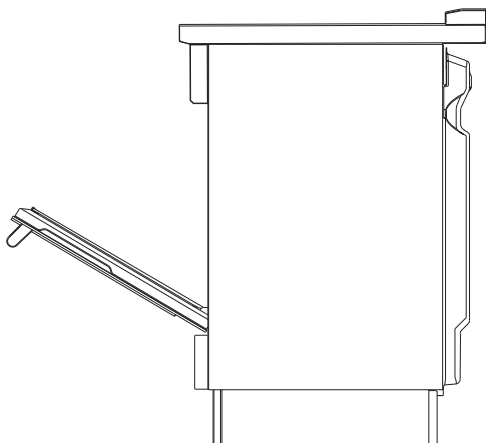


⚠ WARNING The rear vent trim has 3/16" (5 mm) standoffs to keep the appliance slightly away from the back wall. Do not remove or tamper with standoffs due to potential temperature issues.

10. Check for proper installation and use of the anti-tip bracket. Carefully tip the range forward by pulling it from the back to ensure that the anti-tip bracket engages the range leg and prevents tip-over. The range should not move more than 1" (2.5cm).

Door removal

It is not necessary to remove the door in order to install the range, but is an added convenience. Refer to the Use and Care Guide for the oven door removal instructions.



INSTALLATION INSTRUCTIONS CUISINIÈRE ÉLECTRIQUE 30”

L'INSTALLATION ET L'ENTRETIEN DOIVENT ÊTRE EFFECTUÉS PAR UN INSTALLATEUR QUALIFIÉ.

IMPORTANT : À CONSERVER POUR L'USAGE DES INSPECTEURS DES RÉSEAUX ÉLECTRIQUES LOCAL.

LISEZ ET CONSERVEZ CES INSTRUCTIONS À TITRE DE RÉFÉRENCE ULTÉRIEURE.

⚠ AVERTISSEMENT POUR VOTRE SÉCURITÉ : N'entreposez pas ou n'utilisez pas d'essence ou d'autres vapeurs inflammables ou de liquides à proximité de cet appareil ou d'autres appareils.

Table des matières

CONSIGNES DE SÉCURITÉ IMPORTANTES

14

Dimensions du produit.....	15
Dégagements des cabinets.....	16
Emplacement de la prise de mise à la terre..	16
Installation du dossieret	17
Installation de la plinthe avant/latérale	17
Installation de l'îlot.....	18
Déballage, déplacement et positionnement de la cuisinière	19
Branchement électrique	20
Fixation au mur et au sol.....	21
Retrait de la porte.....	24

Remarques importantes à l'installateur

1. Lisez toutes les instructions contenues dans ces instructions d'installation avant d'installer la cuisinière.
2. Retirez tout le matériel d'emballage du four et les compartiments du tiroir avant de brancher l'alimentation électrique à la cuisinière.
3. Respectez tous les codes et les ordonnances en vigueur. Soyez certain de laisser ces instructions au consommateur.

Remarque importante au client

Conservez ces instructions avec votre manuel du propriétaire pour une référence future.

CONSIGNES DE SÉCURITÉ IMPORTANTES

Ce manuel contient des instructions et des symboles de sécurité importants. Veuillez faire attention à ces symboles et suivre toutes les instructions fournies.

⚠ AVERTISSEMENT Ce symbole vous alertera de situations susceptibles de causer des blessures graves, la mort ou des dommages matériels.

⚠ PRÉCAUTION Ce symbole vous alertera de situations susceptibles de causer des blessures ou des dommages matériels.

⚠ PRÉCAUTION Les températures froides peuvent endommager la commande électronique. Lorsque vous utilisez l'appareil pour la première fois, ou lorsque l'appareil n'a pas été utilisé pendant une longue période, assurez-vous que l'appareil a été conservé à des températures supérieures à 32 °F (0 °C) pendant au moins 3 heures avant de mettre l'appareil sous tension.

- **Assurez-vous que votre cuisinière est correctement installée et mise à la terre par un installateur qualifié ou un technicien d'entretien.**
- **Cette cuisinière doit être mise à la terre conformément aux codes locaux ou, en leur absence, au National Electrical Code ANSI/NFPA No.70 - dernière édition aux États-Unis ou au CSA Standard C22.1, Canadian Electrical Code, Part 1, au Canada.**
- L'installation d'appareils conçus pour les maisons préfabriquées (mobiles) doit être conforme à la norme sur la construction et la sécurité des maisons préfabriquées, titre 24CFR, partie 3280 [anciennement la norme fédérale pour la construction et la sécurité des maisons mobiles, titre 24, HUD (partie 280)], ou si cette norme n'est pas applicable, à la norme pour l'installation des maisons préfabriquées de 1982 (sites de maisons préfabriquées, communautés et configurations), dernière édition ANSI Z225.1/NFPA 501A, ou aux codes locaux aux États-Unis et au CAN/CSA-Z240 MH au Canada.
- **Assurez-vous que les revêtements muraux autour de la cuisinière peuvent résister à la chaleur générée par la cuisinière.**

- **Avant d'installer la cuisinière dans une zone recouverte de linoléum ou de tout autre revêtement de sol synthétique, assurez-vous que le revêtement de sol peut résister à une chaleur d'au moins 90 °F (32,2 °C) au-dessus de la température ambiante sans rétrécir, se déformer ou se décolorer.** N'installez pas la cuisinière sur de la moquette à moins de placer un tampon isolant ou une feuille de contreplaqué de ¼" (0,64 cm) d'épaisseur entre la cuisinière et la moquette.

⚠ AVERTISSEMENT Ne laissez jamais les enfants seuls ou sans surveillance dans la zone où un appareil est utilisé. Au fur et à mesure que les enfants grandissent, apprenez-leur à utiliser tous les appareils correctement et en toute sécurité. Ne laissez jamais la porte du four ouverte lorsque la cuisinière est sans surveillance.

⚠ AVERTISSEMENT Marcher, s'appuyer ou s'asseoir sur la porte ou le tiroir de cette cuisinière pourrait entraîner des blessures graves et pourrait également endommager la cuisinière.

- **N'entreposez pas d'objets d'intérêt pour les enfants dans les cabinets au-dessus de la cuisinière.** Les enfants pourraient être gravement brûlés s'ils grimpent sur la cuisinière pour atteindre des objets.
- **Pour éliminer tout risque de feu ou de brûlures en déplaçant des objets au-dessus des surfaces chaudes, évitez de placer un espace de rangement au-dessus de ces dernières.** Si un cabinet de rangement doit être fourni, le risque peut être réduit en installant une hotte qui dépasse horizontalement un minimum de 5 pouces au-delà du fond du cabinet.
- **N'utilisez pas le four comme espace de rangement.** Cela crée une situation potentiellement dangereuse.
- **N'utilisez jamais votre cuisinière pour réchauffer ou chauffer une pièce.** L'utilisation prolongée de la cuisinière sans une ventilation adéquate peut être dangereuse.
- **N'entreposez pas ou n'utilisez pas d'essence ou d'autres vapeurs inflammables et de liquides à proximité de cet appareil ou d'autres appareils.** Des explosions ou des incendies pourraient en résulter.
- **Remettez toutes les commandes en position « OFF » après avoir utilisé une opération de minutage programmable.**

INSTRUCTIONS D'INSTALLATION CUISINIÈRE ÉLECTRIQUE 30"

⚠ AVERTISSEMENT

Risque de basculement



- Un enfant ou une personne adulte pourrait faire basculer la cuisinière et être tué.
- Installez le dispositif anti-basculement sur le sol ou le mur selon les instructions d'installation.
- Fixez la cuisinière avec le dispositif anti-basculement conformément aux instructions d'installation.

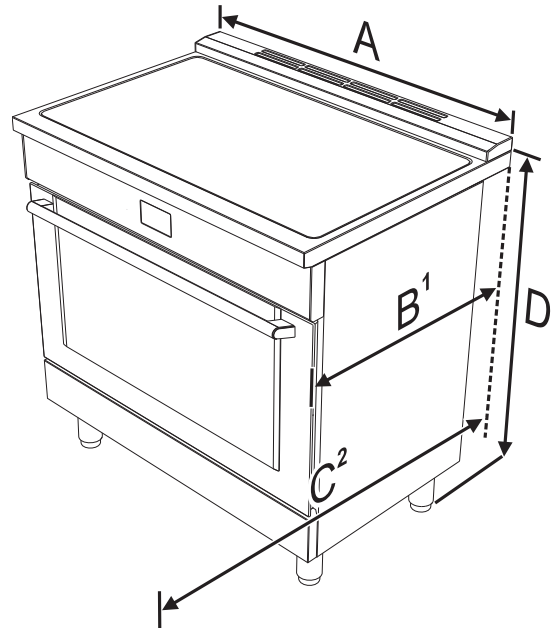
- Assurez-vous que le dispositif anti-basculement est ré-enclenché lorsque la cuisinière est déplacée.
- Ne pas mettre en marche la cuisinière sans le dispositif anti-basculement en place et enclenché.
- Le non-respect de ces consignes peut causer la mort ou des brûlures graves pour les enfants et les adultes.



Pour vérifier si le support anti-basculement est correctement installé, utilisez les deux bras et saisissez le bord arrière de la cuisinière. Essayez avec précaution d'incliner la cuisinière vers l'avant. Lorsqu'elle est correctement installée, la cuisinière ne doit pas s'incliner vers l'avant.

Reportez-vous aux instructions d'installation du support anti-basculement fournies avec votre cuisinière pour une installation correcte.

Dimensions du produit

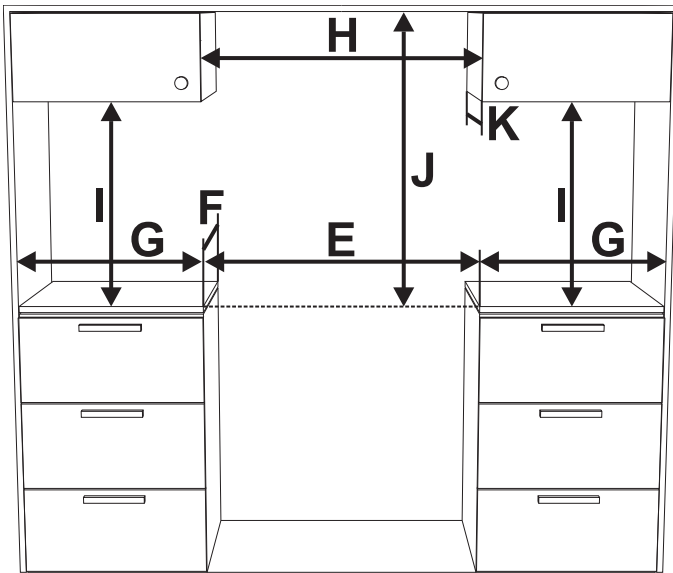


A	760 mm	29 15/16"
B¹	min : 627 mm max : 631 mm	min : 24 11/16" max : 24 13/16"
C²	1186 mm	46 11/16"
D	min : 898 mm max : 930 mm	min : 35 6/16" max : 36 5/8"

1. La mesure **B** varie selon le modèle : le minimum est obtenu sans les entretoises arrière (voir « Installation de l'îlot ») et le maximum est obtenu pour une installation traditionnelle (installation encastrée - avec les entretoises arrière).
2. La mesure **C** fait référence à la porte ouverte.

INSTRUCTIONS D'INSTALLATION CUISINIÈRE ÉLECTRIQUE 30"

Dégagements des cabinets

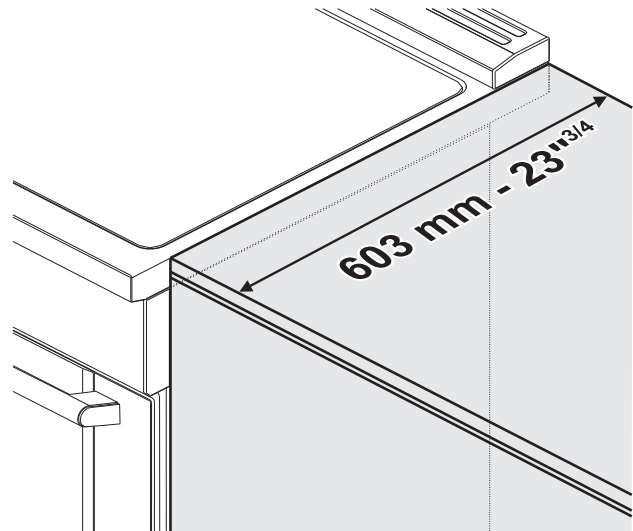


E	762 mm	30"
F	603 mm	23" 3/4
G	178 mm	7"
H	min. 914 mm	min. 36"
I	min. 457 mm	min. 18"
J	voir remarques ci-dessous	
K	max. 330 mm	max. 13"

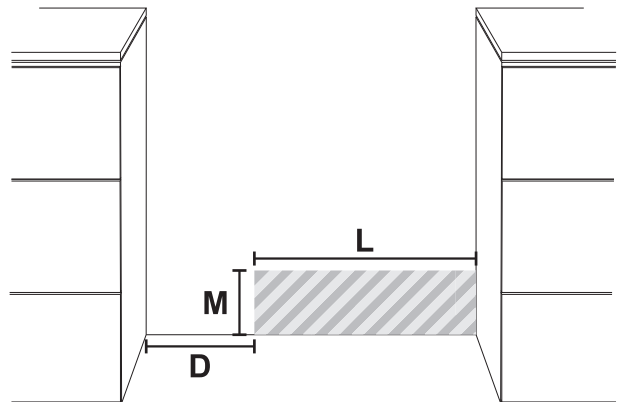
Le dégagement **J** peut avoir les valeurs suivantes :

- **J = 30" / 762 mm** minimum de dégagement entre le dessus de la surface de cuisson et le fond du cabinet en bois ou en métal non protégé.
- **J = 24" / 610 mm** minimum lorsque le dessous du cabinet en bois ou en métal est protégé par un retardateur de flamme d'au moins de 1/4 pouces d'épaisseur recouvert d'une feuille d'acier d'au moins que No. 28 MSG, 0,015 pouce d'épaisseur d'acier inoxydable, 0,024 pouce d'épaisseur en aluminium ou 0,020 pouce d'épaisseur en cuivre. Les dégagements des matériaux non-combustibles ne font pas partie de la norme ANSI Z21.1 et ne sont pas certifiés CSA. Les dégagements de moins de 30" devraient être approuvés pas les codes locaux et / ou par l'autorité locale compétente.

La profondeur du cabinet latéral (dégagement **F**) doit correspondre au bord avant du panneau latéral de la cuisinière :



Emplacement de la prise de mise à la terre



La prise mise à la terre doit être située dans la zone en surbrillance de l'image ci-dessus. Cette zone doit avoir les mesures suivantes :

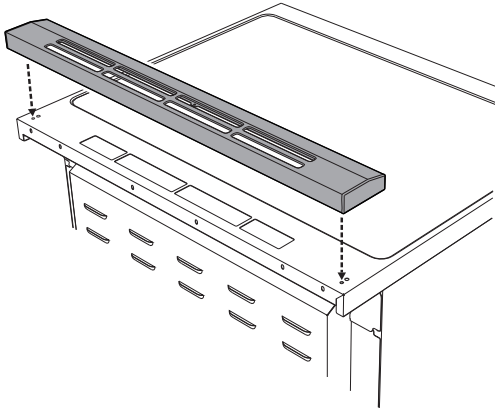
D	Min : 5" 7/8	Min : 150 mm
	Max : 24"	Max : 610 mm
L	Min : 11" 7/8	Min : 300 mm
	Max : 24"	Max : 610 mm
M	Min : 2"	Min : 51 mm
	Max : 9" 7/8	Max : 250 mm

INSTRUCTIONS D'INSTALLATION CUISINIÈRE ÉLECTRIQUE 30"

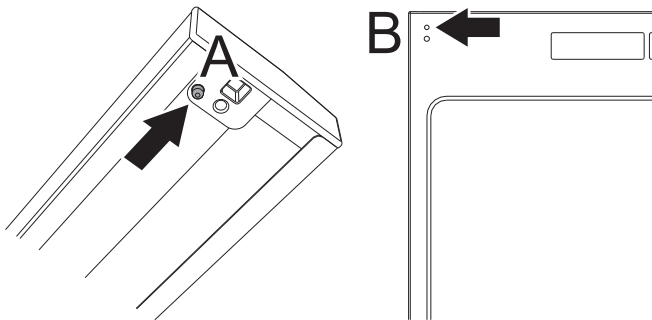
Installation du dossieret

Le dossieret fourni fait partie intégrante de l'appareil; il doit toujours être positionné et bien sécurisé sur la table de cuisson.

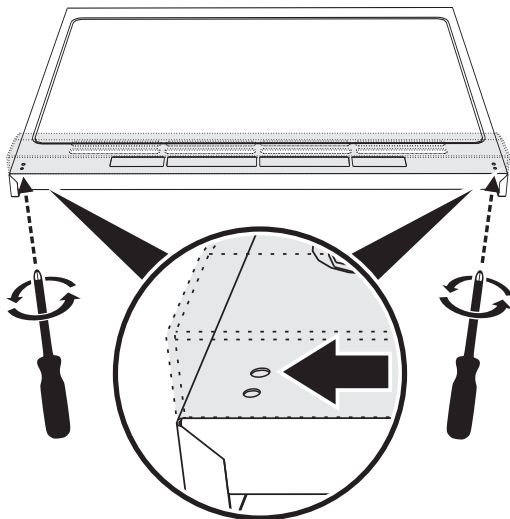
1. Positionnez le dossieret sur le dessus.



2. Assurez-vous d'aligner les broches (A) du dossieret aux trous (B) de la table de cuisson.



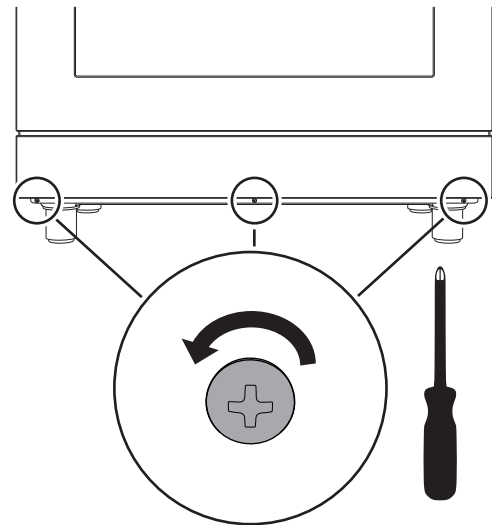
3. Sécurisez le dossieret sur le dessus en serrant les vis.



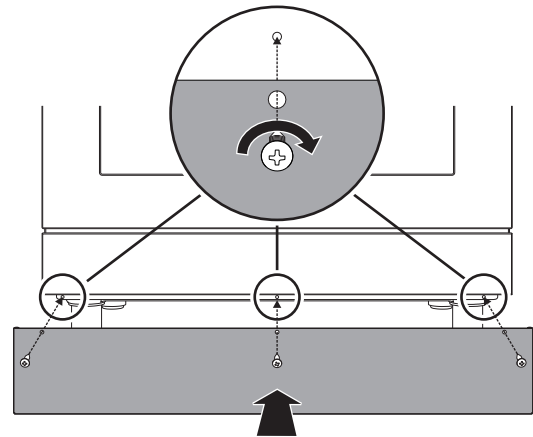
Installation de la plinthe avant/latérale

La plinthe avant doit toujours être correctement positionnée et fixée à l'appareil.

1. Utilisez un tournevis pour retirer les vis avant.

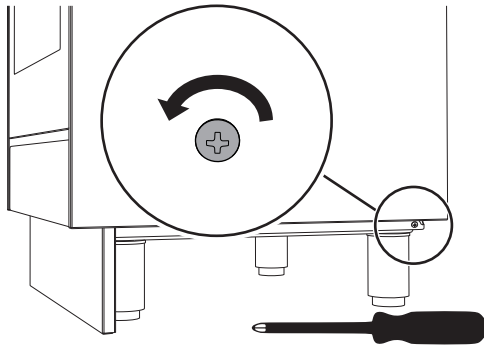


2. Positionnez la plinthe avant au bas de l'appareil et alignez les trous au côté de la plinthe avec les trous sur la base de l'appareil.
3. Fixez la plinthe avant à l'appareil à l'aide des vis précédemment retirées.

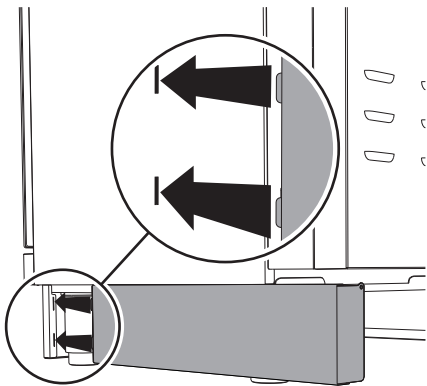


INSTRUCTIONS D'INSTALLATION CUISINIÈRE ÉLECTRIQUE 30"

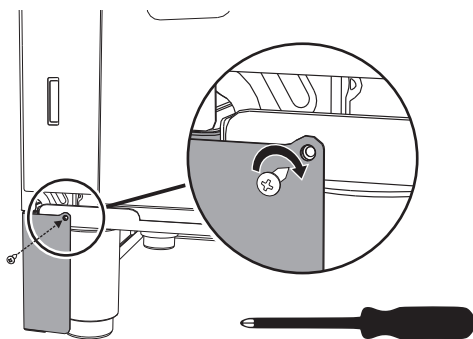
- Une fois la plinthe avant installée, la plinthe latérale peut être correctement fixée à l'appareil. Utilisez un tournevis pour retirer les vis latérales.



- Insérez les languettes de la plinthe latérale dans les fentes à l'arrière de la plinthe avant.



- Alignez le trou de la plinthe latérale au trou arrière de la base de l'appareil.
- Fixez la plinthe latérale à l'appareil à l'aide de la vis précédemment retirée.

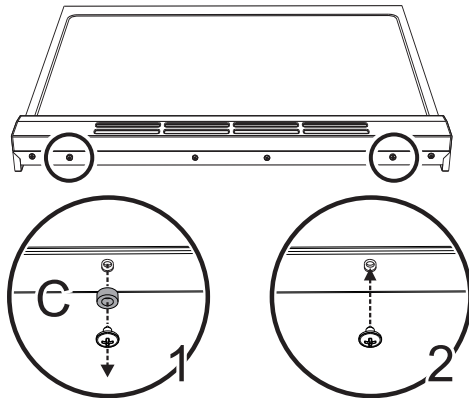


- Répétez la procédure pour l'autre section de plinthe latérale.

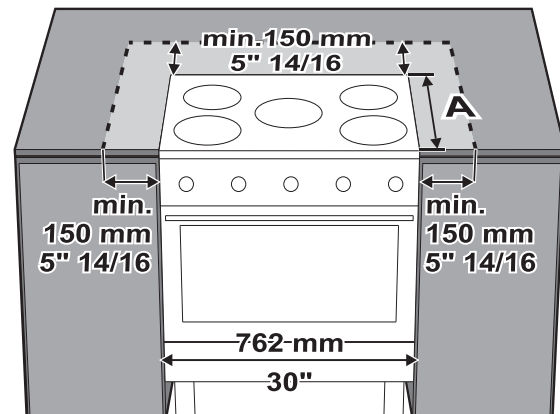
Installation de l'îlot

Si l'appareil est installé en tant qu'îlot :

- Dévissez les vis indiquées.
- Retirez les entretoises (C).
- Insérez les vis précédemment retirées dans leurs sièges.

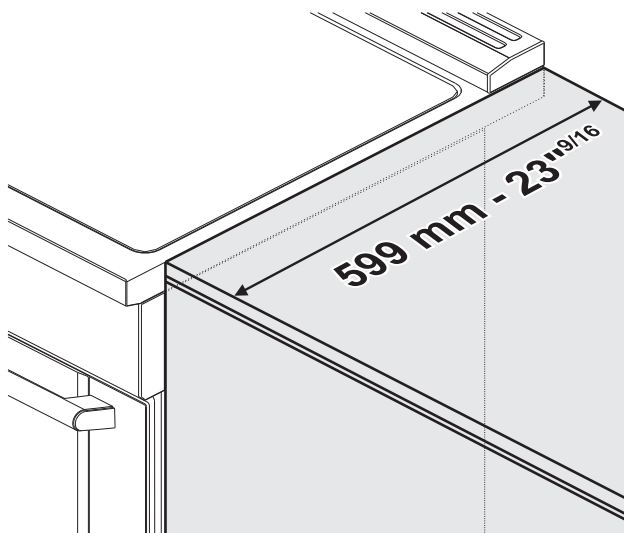


Gardez un dégagement minimum de 5 7/8" (150 mm) entre l'appareil et les autres meubles ou éléments décoratifs selon le schéma ci-dessous.



INSTRUCTIONS D'INSTALLATION CUISINIÈRE ÉLECTRIQUE 30"

La profondeur du cabinet latéral (dégagement **A**) doit correspondre au bord avant du panneau latéral de la cuisinière :

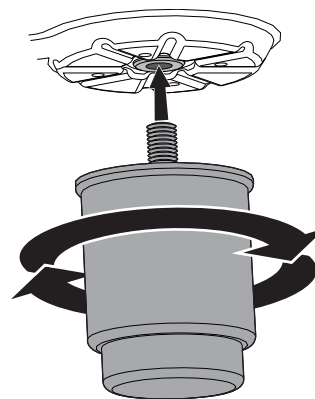


Déballage, déplacement et positionnement de la cuisinière

⚠ PRÉCAUTION Cet appareil a été conçu pour la cuisson. Pour des raisons de sécurité, ne l'utilisez jamais pour chauffer la pièce ou comme chauffage d'appoint.

- Il est recommandé de retirer le panneau avant, le dossier et les grilles du four pour faciliter la manipulation. Ceci réduira le poids pour le déplacement.
- Lors du positionnement de l'appareil au moment de l'installation, n'utilisez pas la poignée de la porte pour soulever ou déplacer l'appareil.
- L'appareil peut être déplacé avec un chariot manuel ou avec un chariot élévateur à pince (pas avec un chariot élévateur à fourche) uniquement s'il est encore emballé.
- Portez des gants pour éviter de vous couper les doigts sur les bords tranchants lors de l'installation.
- Enlever le carton extérieur et le matériel d'emballage de la base d'expédition.
- Avant de déplacer la cuisinière, assurez-vous que les pieds soient complètement installés.
- En raison de son poids, après avoir retiré le matériel d'emballage, déplacez-le avec l'aide d'une deuxième personne.
- Le plancher, sous les socles, devrait être protégé (bois, morceau de carton, tapis, lambris, etc.) avant de positionner la cuisinière.

- Le dispositif anti-basculement doit être installé, le raccord électrique devrait être fait avant de positionner la cuisinière à son emplacement final.
- Les socles devraient être installés près de l'emplacement où l'appareil sera utilisé, puisqu'ils ne sont pas sécurisés pour le long transit. Gardez l'appareil soulevé de manière à ce que les socles puissent être vissés dans leurs accouplements puis, doucement, descendre la cuisinière pour prévenir que les socles et montants ne soient soumis à des tensions excessives.

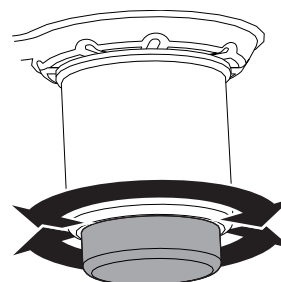


REMARQUE : Insérez d'abord les pieds avant puis les pieds arrière.

Voici l'ordre d'installation et de positionnement correct :

1. Installez et ajustez les pieds.
2. Installez la plinthe avant / latérale.
3. Assemblez et fixez le support anti-basculement au sol ou au mur.
4. Branchez la fiche à la prise de mise à la terre.
5. Déplacez la cuisinière dans sa position finale.

La longueur d'ajustement de la vis est de 1,37 pouce (35 mm).



Pour avoir une bonne stabilité, il est indispensable que l'appareil soit correctement nivelé au sol :

- Vissez ou dévissez le pied de la partie inférieure jusqu'à ce que l'appareil soit bien nivelé et stabilisé au sol.

REMARQUE : cet appareil doit seulement utiliser les montants de nivelage spécifiques fournis par le fabricant.

Branchement électrique

⚠ AVERTISSEMENT

Risque de choc électrique



- Cet appareil est équipé d'une fiche à quatre broches avec mise à la terre pour une protection contre les chocs électriques. La fiche doit être branchée à une prise avec mise à la terre. Ne coupez pas et n'enlevez pas la broche de mise à la terre de la fiche.
- La broche de mise à la terre doit être branchée sur une prise de type mise à la terre correspondante et connectée à un circuit 240 volts correctement polarisé. En cas de doute sur le fait que la prise murale est correctement mise à la terre, faites-la vérifier par un électricien qualifié.

Le non-respect de l'une des mesures ci-dessus peut entraîner un incendie, des blessures corporelles ou un choc électrique.

⚠ AVERTISSEMENT

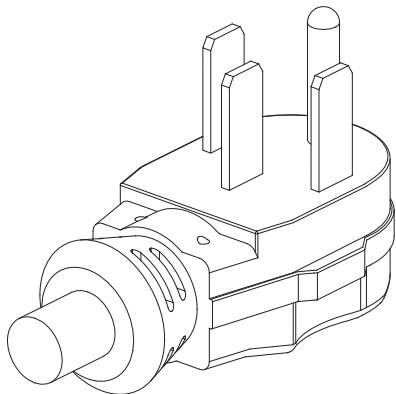


Risque de choc électrique

- Cet appareil doit être mis à terre pour votre sécurité personnelle. Pour une sécurité maximale, le cordon d'alimentation doit être solidement connecté à une prise électrique ou à une boîte de jonction ayant la tension correcte, il est correctement polarisé et correctement mis à la terre, et est protégé par un disjoncteur conformément aux codes locaux.
- Il est de la responsabilité personnelle du consommateur de faire installer la prise ou la boîte de jonction appropriée avec la prise murale correcte et correctement mise à la terre par un électricien qualifié. Il est de la responsabilité et de l'obligation du consommateur de communiquer avec un installateur qualifié pour s'assurer que l'installation électrique est appropriée et conforme à tous les codes et règlements locaux.

INSTRUCTIONS D'INSTALLATION CUISINIÈRE ÉLECTRIQUE 30"

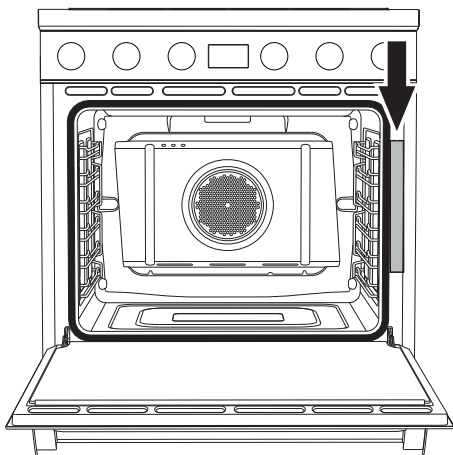
Cette cuisinière est équipée d'un cordon d'alimentation branché en usine. Le cordon doit être branché à une prise de 120/240 volts ou 120/208 volts mise à la terre. Si aucune prise n'est disponible, faites-en installer une par un électricien qualifié.



⚠ PRÉCAUTION N'utilisez pas plusieurs prises, rallonges ou adaptateurs.

Voir la plaque signalétique pour les spécifications techniques. La plaque signalétique est visiblement située du côté droit du cadre de la porte du four.

Cette plaque d'identification ne devrait jamais être enlevée.



Fixation au mur et au sol

⚠ AVERTISSEMENT



Risque de choc électrique

- Faites preuve d'une extrême prudence lorsque vous percez des trous dans les murs ou les planchers. Il se peut que des câbles électriques soient dissimulés dans les murs ou sous les planchers.
- Identifier l'emplacement des circuits électriques qui pourraient être affectés par l'installation du dispositif anti-basculement. Ensuite éteindre ces circuits.
- Ne pas se conformer à ces instructions peut entraîner des chocs électriques ou autres blessures corporelles.
- Contacter un entrepreneur ou un installateur qualifié pour déterminer la méthode appropriée pour percer des trous dans les murs ou sur les recouvrements de planchers (tel que la céramique, le bois dur, etc.).
- Ne pas se conformer à ces instructions peut entraîner des dommages aux murs ainsi qu'aux recouvrements de planchers.

⚠ PRÉCAUTION

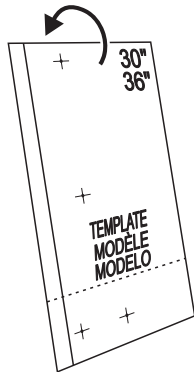
⚠ AVERTISSEMENT

Contrôlez visuellement de l'intérieur du tiroir que la bride montée au sol/au mur soit insérée dans le crochet latéral adéquat (du côté gauche).

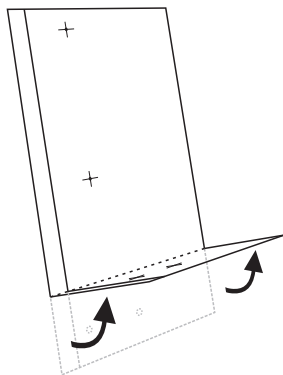
INSTRUCTIONS D'INSTALLATION CUISINIÈRE ÉLECTRIQUE 30"

Positionnement du support à l'aide du modèle :

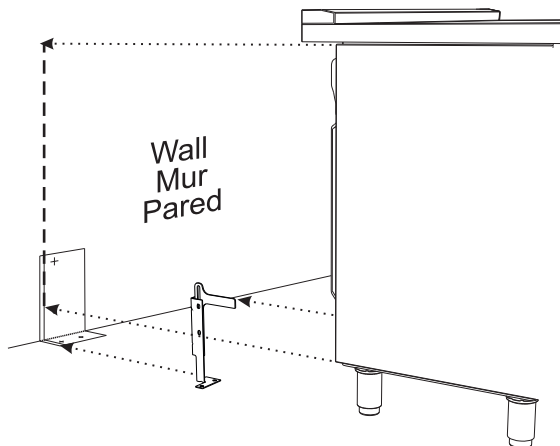
1. Choisissez le bon côté du modèle, en fonction du modèle de l'appareil.



2. En fonction du modèle, pliez la feuille de modèle en suivant la ligne horizontale en pointillés.



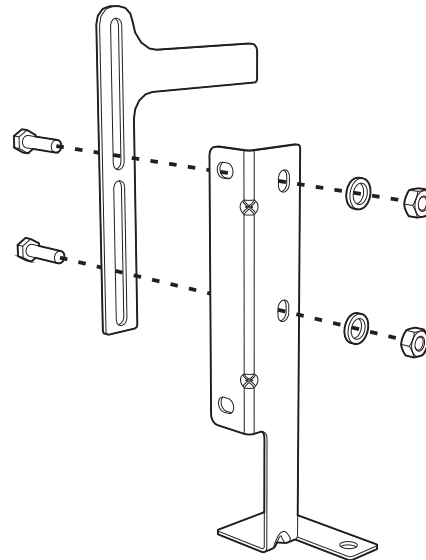
3. Placez le modèle de sorte que l'épaisse ligne verticale dessinée dessus soit alignée au bord du côté gauche de l'appareil.



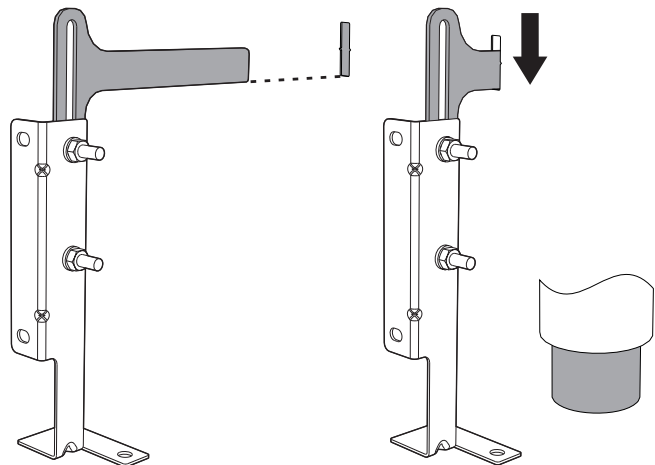
4. Marquez l'emplacement des trous de vis, au mur ou au sol en fonction de la façon dont vous souhaitez fixer le support.
5. Fixez le support anti-basculement.

Installation du support anti-basculement :

1. Assurez-vous que le branchement électrique soit à la bonne position.
2. Assemblez le support.



3. Alignez la base du crochet du support à la base sur la fente du support de fixation de la paroi arrière. Alignez la base du support de fixation au sol et serrez les vis pour fixer les mesures.

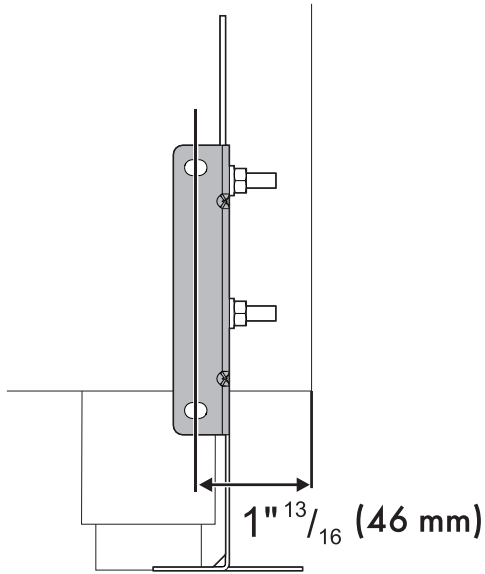


4. Pour le montage mural, suivez les étapes 5, 6, 9 et 10. Pour le montage au sol, suivez les étapes 7, 8, 9 et 10.

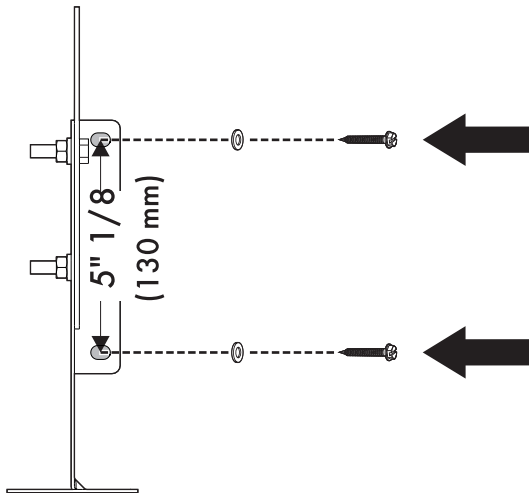
REMARQUE : La fixation murale est recommandée si l'appareil est placé contre un mur. La fixation au sol est recommandée en cas d'installation en îlot.

INSTRUCTIONS D'INSTALLATION CUISINIÈRE ÉLECTRIQUE 30"

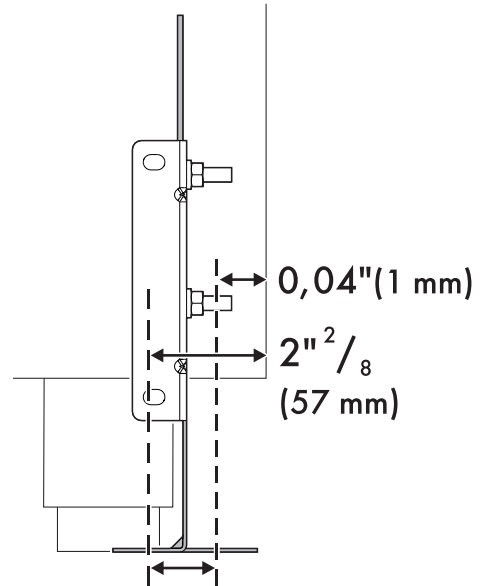
5. Utilisez la distance spécifiée entre le côté de l'appareil et les trous du support.



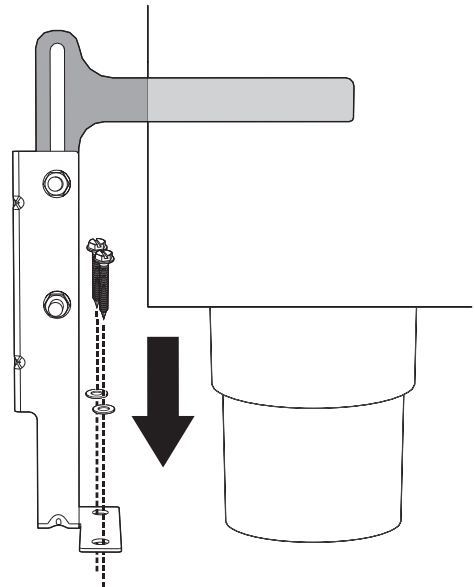
6. Déplacez le support contre le mur et fixez avec les deux rondelles et les vis. Un technicien qualifié doit vérifier l'adéquation des matériaux conformément au type et à l'état du mur.



7. Utilisez les distances suivantes pour la distance entre le côté de l'appareil et les trous du support.

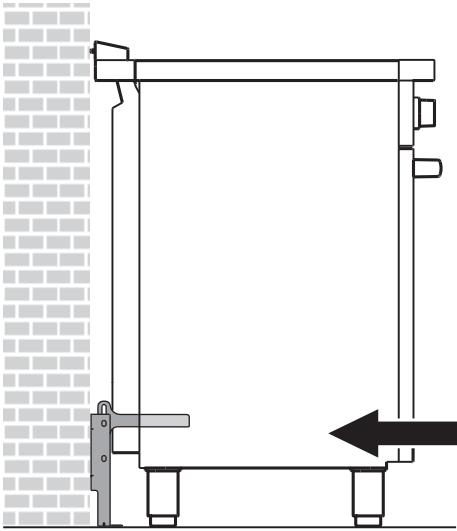


8. Après avoir positionné et mis à niveau l'appareil, déplacez la bride près de l'arrière de l'appareil et ancrez-la sur le plancher en utilisant les deux rondelles et les vis. Un technicien qualifié doit vérifier l'adéquation des matériaux conformément au type et à l'état du sol.



INSTRUCTIONS D'INSTALLATION CUISINIÈRE ÉLECTRIQUE 30"

9. Poussez la cuisinière vers le mur et, en même temps, insérez le support dans la plaque qui est fixée à l'arrière de l'appareil.

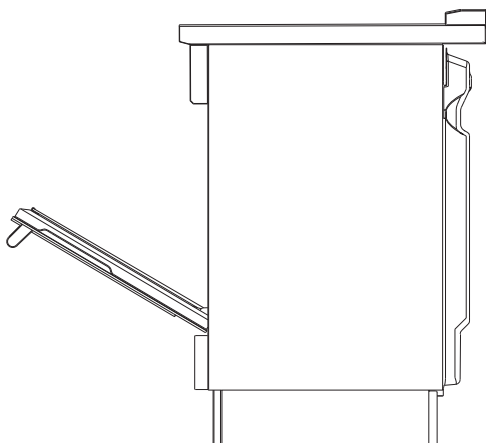


AVERTISSEMENT La garniture de ventilation arrière a des entretoises de 3/16" (5 mm) pour garder l'appareil légèrement éloigné du mur arrière. Ne retirez pas et ne modifiez pas les entretoises en raison de problèmes de température potentiels.

10. Vérifiez que l'installation et l'utilisation du support anti-basculement soient correctes. Inclinez délicatement la cuisinière vers l'avant en la tirant par l'arrière pour vous assurer que le support anti-basculement engage le pied de la cuisinière et empêche tout basculement. La cuisinière ne doit pas bouger de plus de 1" (2,5 cm).

Retrait de la porte

Il n'est pas nécessaire de retirer la porte pour installer la cuisinière, mais cela est une commodité supplémentaire. Reportez-vous au Guide d'utilisation et d'entretien pour obtenir les instructions de retrait de la porte du four.



INSTRUCCIONES DE MONTAJE ESTUFA ELÉCTRICA DE 30"

LAS OPERACIONES DE INSTALACIÓN Y SERVICIO TÉCNICO DEBEN SER LLEVADAS A CABO POR UN INSTALADOR CUALIFICADO.

IMPORTANTE: GUARDE ESTAS INSTRUCCIONES PARA USO DEL INSPECTOR ELÉCTRICO LOCAL.

LEA Y GUARDE ESTAS INSTRUCCIONES PARA FUTURAS REFERENCIAS.

⚠ ADVERTENCIA POR SU SEGURIDAD: No almacene o emplee gasolina u otros vapores o líquidos inflamables cerca de este o cualquier otro aparato.

Índice

INSTRUCCIONES IMPORTANTES DE SEGURIDAD	26
Dimensiones del producto	27
Distancias del armario	28
Ubicación de la toma de corriente con puesta a tierra	28
Montaje del respaldo	29
Montaje del zócalo delantero/lateral.....	29
Instalación de isla.....	30
Desembalaje, desplazamiento y ubicación de la estufa.....	31
Conexión eléctrica.....	32
Fijación a la pared y al suelo.....	33
Desmontaje de la puerta	36

Notas importantes para el instalador

1. Lea todas las instrucciones de montaje antes de instalar la estufa.
2. Quite todos los materiales de embalaje del horno y de los compartimientos del cajón antes de conectar la estufa a la alimentación eléctrica.
3. Respete los códigos y las normativas vigentes. Asegúrese de dejar estas instrucciones al consumidor.

Nota importante para el cliente

Mantenga estas instrucciones con la guía del propietario para futuras referencias.

INSTRUCCIONES IMPORTANTES DE SEGURIDAD

Este manual contiene símbolos e instrucciones importantes con relación a la seguridad. Preste atención a estos símbolos y siga las instrucciones proporcionadas.

⚠ ADVERTENCIA Este símbolo le alertará de situaciones que podrían causar lesiones graves, la muerte o daños a la propiedad.

⚠ ATENCIÓN Este símbolo le alertará de situaciones que podrían causar lesiones o daños a la propiedad.

⚠ ATENCIÓN Las bajas temperaturas pueden dañar el control electrónico. Al utilizar el aparato por primera vez o cuando este no se haya utilizado durante mucho tiempo, asegúrese de que la unidad haya permanecido a temperaturas superiores a 32°F (0°C) durante al menos 3 horas antes de conectar el aparato a la corriente.

- **Asegúrese de que un instalador o técnico de servicio cualificado instale y ponga a tierra correctamente la estufa.**
- **Esta estufa debe ser puesta a tierra conforme a los códigos locales o, en ausencia de estos, conforme al Código de Electricidad Nacional, ANSI/NFPA N.º 70 (última edición), en Estados Unidos, o al Estándar CSA C22.1, Código de Electricidad de Canadá, Parte 1, en Canadá.**
- La instalación de aparatos diseñados para su montaje en una casa prefabricada (rodante) debe cumplir con la Ley Nacional de Construcción y Normas de Seguridad de Viviendas Prefabricadas, título 24CFR, parte 3280 [anteriormente, las Normas Federales de Construcción y Seguridad de Viviendas Prefabricadas, Título 24, HUD (Parte 280)] o bien, cuando dicha norma no sea aplicable, con el Estándar de Instalación de Viviendas Prefabricadas de 1982 (Emplazamientos, Comunidades y Acondicionamiento de Viviendas Prefabricadas), ANSI Z225.1/NFPA 501A (última edición) o con los códigos locales en Estados Unidos y con CAN/CSA-Z240 MH en Canadá.
- **Asegúrese de que el revestimiento de la pared que rodea la estufa puede soportar el calor generado por la misma.**

- **Antes de instalar la estufa en una zona cubierta por linóleo u otros revestimientos de suelo sintéticos, asegúrese de que el revestimiento del suelo puede soportar una temperatura de al menos 90°F (32.2°C) por encima de la temperatura ambiente sin encogerse, deformarse o decolorarse.** No instale la estufa encima de una alfombra, a no ser que coloque un tapete aislante o una placa de madera contrachapada de ¼" (0,64 cm) de espesor entre la estufa y la alfombra.

⚠ ADVERTENCIA Los niños no deben permanecer solos o sin vigilancia en el área en la que se esté usando el aparato. Cuando los niños crezcan, instrúyales sobre el uso correcto y seguro de todos los aparatos. Nunca deje abierta la puerta del horno cuando la estufa esté sin vigilancia.

⚠ ADVERTENCIA Subirse, apoyarse o sentarse sobre la puerta o el cajón de esta estufa puede provocar lesiones graves y puede causar asimismo daños al aparato.

- **No guarde artículos de interés para los niños en los armarios que se encuentran encima de la estufa.** Los niños podrían sufrir quemaduras graves si se subieran a la estufa para alcanzar algún objeto.
- **Para eliminar el riesgo de quemaduras o incendios al estirar los brazos sobre las superficies calientes, evite el almacenamiento en armarios sobre la superficie de cocción.** Si se ha previsto un armario de almacenamiento, el riesgo se puede reducir instalando una campana que se proyecte horizontalmente un mínimo de 5 pulgadas por encima de la parte inferior del armario.
- **No usar el horno como lugar de almacenamiento.** Esto crea una situación potencialmente peligrosa.
- **No usar por ningún motivo la estufa para calentar el ambiente.** Un uso prolongado de la estufa sin la ventilación adecuada puede ser peligroso.
- **No almacenar ni emplear gasolina u otros vapores o líquidos inflamables cerca de este o de cualquier otro aparato.** Podrían provocar explosiones o incendios.
- **Reajuste todos los controles a la posición "OFF" después de usar una operación de temporización programable.**

INSTRUCCIONES DE MONTAJE DE LA ESTUFA ELÉCTRICA DE 30"

⚠ ADVERTENCIA

Peligro de vuelco



- Tanto un niño como un adulto podrían volcar la estufa, lo que podría causar su muerte.
- Instale el dispositivo antivuelco en el suelo o en la pared siguiendo las instrucciones de montaje.
- Enganche a la estufa el dispositivo antivuelco siguiendo las instrucciones de montaje.

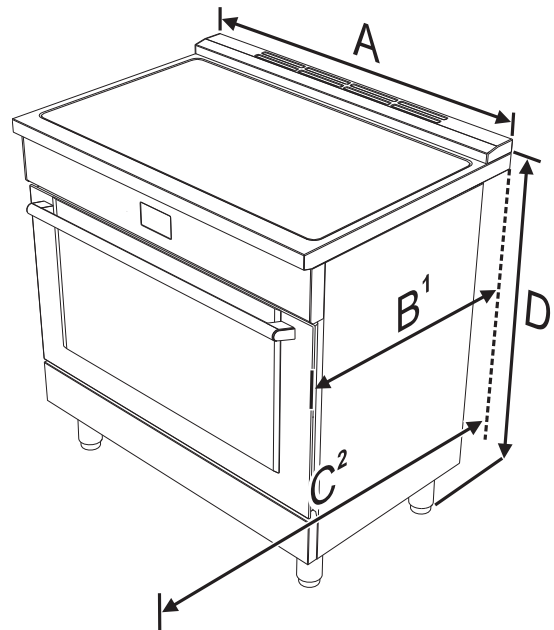
- Asegúrese de que el dispositivo antivuelco haya sido enganchado nuevamente cuando desplace la estufa.
- No hacer funcionar la estufa sin el dispositivo antivuelco en la posición correcta.
- Al no seguir estas instrucciones, podrían producirse la muerte o quemaduras graves en niños y adultos.



Para comprobar que el soporte antivuelco esté instalado correctamente, utilice los dos brazos y sujete el borde trasero de la estufa. Intente inclinar la estufa hacia delante con mucho cuidado. Si está correctamente instalada, la estufa no debería inclinarse hacia delante.

Consulte las instrucciones de montaje del soporte antivuelco suministradas con la estufa para una instalación adecuada.

Dimensiones del producto

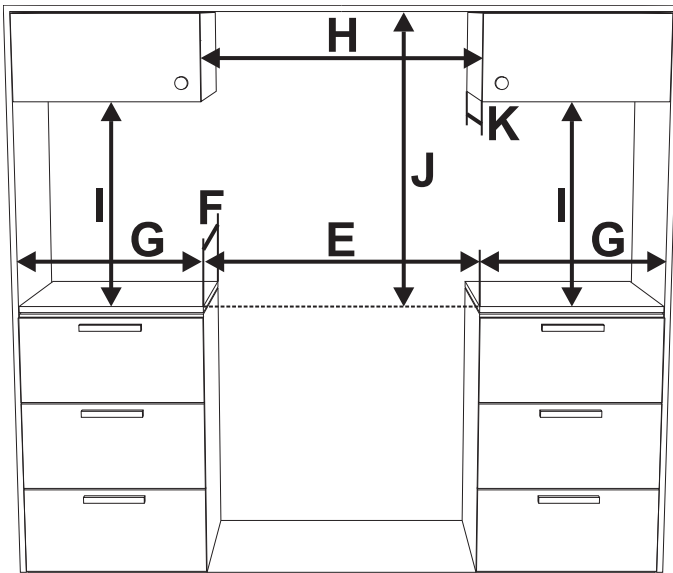


A	760 mm	29 15/16"
B¹	mín.: 627 mm máx.: 631 mm	mín.: 24 11/16" máx.: 24 13/16"
C²	1186 mm	46 11/16"
D	mín.: 898 mm máx.: 930 mm	mín.: 35 6/16" máx.: 36 5/8"

1. La medida **B** varía según el modelo: el mínimo se obtiene sin los separadores traseros (vea «Instalación de isla») y el máximo se obtiene para la instalación tradicional (instalación con ranura - con los separadores traseros).
2. La medida **C** hace referencia a la puerta abierta.

INSTRUCCIONES DE MONTAJE DE LA ESTUFA ELÉCTRICA DE 30"

Distancias del armario

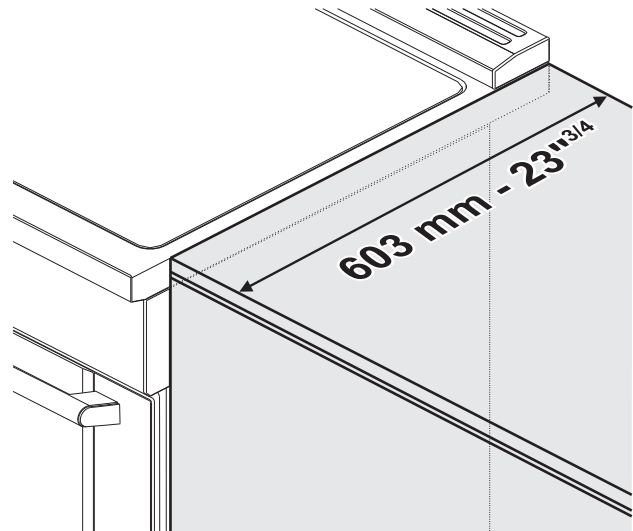


E	762 mm	30"
F	603 mm	23" 3/4
G	178 mm	7"
H	mín. 914 mm	mín. 36"
I	mín. 457 mm	mín. 18"
J	vea las notas a continuación	
K	máx. 330 mm	máx. 13"

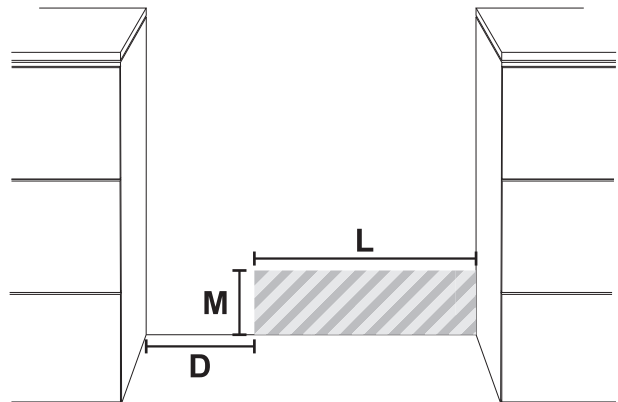
La distancia **J** puede tener los siguientes valores:

- **J = 30" / 762 mm** distancia mínima entre la superficie de cocción y la base de un armario de madera o metal sin protección.
- **J = 24" / 610 mm** como mínimo cuando el fondo del armario de madera o metal está protegido por una madera resistente al fuego de no menos de 1/4 pulgadas de grosor, cubierta por una lámina metálica de MSG de número 28 como mínimo, por acero inoxidable de 0,015 pulgadas de grosor, por aluminio de 0,024 pulgadas de grosor o por cobre de 0,020 pulgadas de grosor. Las distancias de materiales no combustibles están fuera del alcance de la ANSI Z21.1 y no están certificadas por CSA. Las distancias de menos de 30" deben ser aprobadas por los códigos locales y/o por la autoridad local competente.

La profundidad lateral del armario (distancia **F**) debe coincidir con el borde delantero del panel lateral de la estufa:



Ubicación de la toma de corriente con puesta a tierra



La toma a tierra debe estar colocada en el área destacada de la imagen anterior. Esta área debe tener las siguientes medidas:

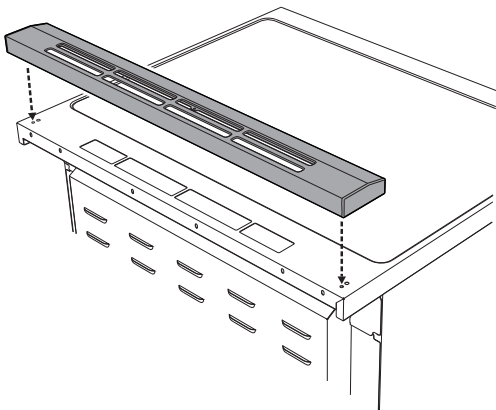
D	Mín.: 5" 7/8	Mín.: 150 mm
L	Mín.: 11" 7/8	Mín.: 300 mm
	Máx.: 24"	Máx.: 610 mm
M	Mín.: 2"	Mín.: 51 mm
	Máx.: 9" 7/8	Máx.: 250 mm

INSTRUCCIONES DE MONTAJE DE LA ESTUFA ELÉCTRICA DE 30"

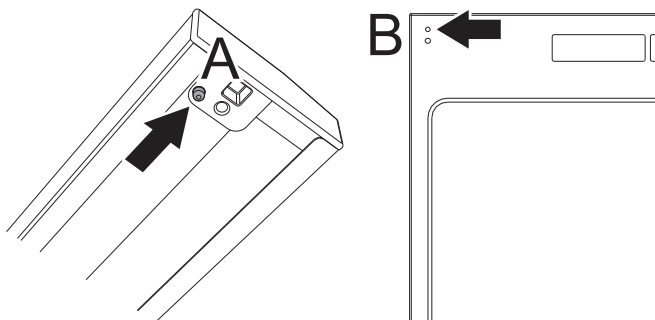
Montaje del respaldo

El respaldo suministrado es una parte integral del aparato y siempre debe estar posicionado y asegurado correctamente en la placa.

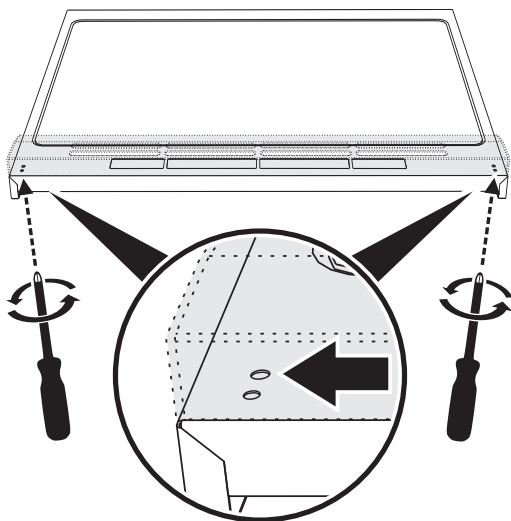
1. Coloque el respaldo en la parte superior.



2. Asegúrese de alinear las chavetas (A) del respaldo con los agujeros (B) de la placa.



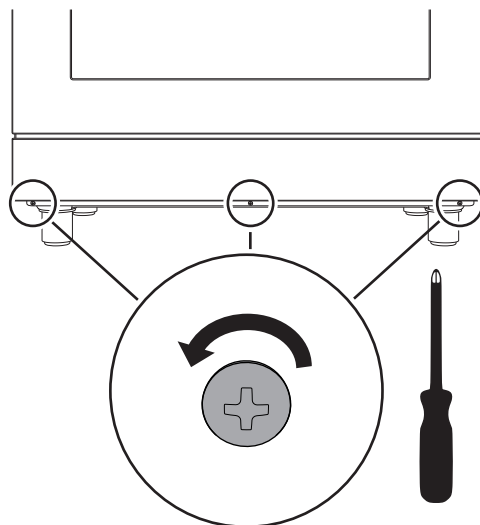
3. Fije el respaldo a la parte superior apretando los tornillos.



Montaje del zócalo delantero/lateral

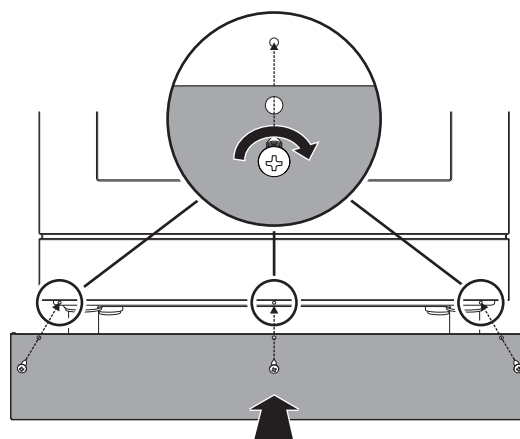
El zócalo delantero siempre debe estar colocado correctamente y fijado al aparato.

1. Utilice un destornillador para extraer los tornillos delanteros.



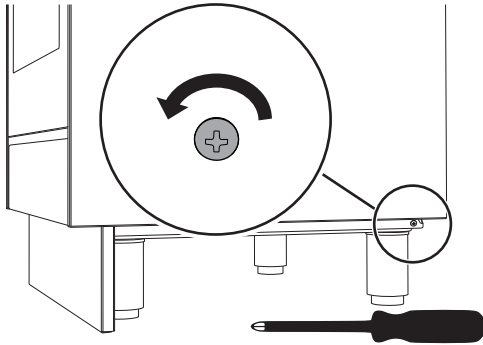
2. Coloque el zócalo delantero en la parte trasera del aparato y alinee los agujeros del lateral del zócalo con los agujeros de la base del aparato.

3. Fije el zócalo delantero al aparato utilizando los tornillos extraídos anteriormente.

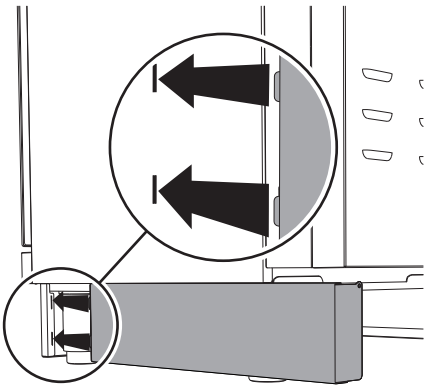


INSTRUCCIONES DE MONTAJE DE LA ESTUFA ELÉCTRICA DE 30"

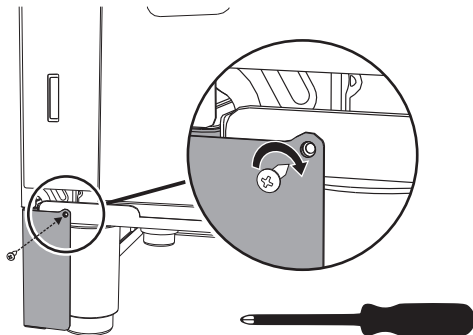
- Una vez instalado el zócalo delantero, se puede fijar correctamente el zócalo lateral al aparato. Utilice un destornillador para extraer los tornillos laterales.



- Introduzca las aletas del zócalo lateral en las ranuras de la parte trasera del zócalo delantero.



- Alinee el agujero del zócalo lateral con el agujero trasero de la base del aparato.
- Fije el zócalo lateral al aparato utilizando el tornillo extraídos anteriormente.

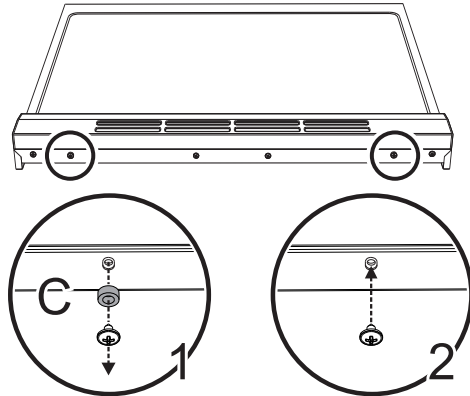


- Repita el procedimiento para la otra sección del zócalo lateral.

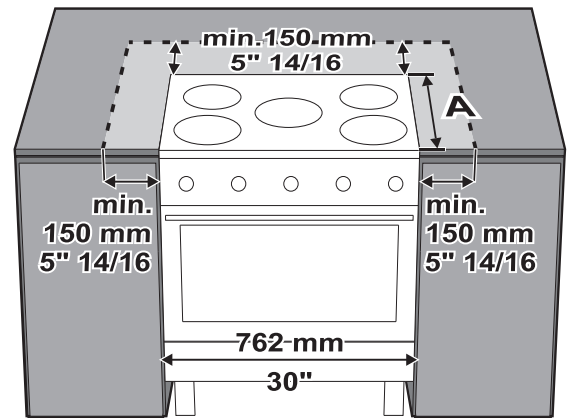
Instalación de isla

Si el aparato se instala de forma aislada:

- Desenrosque los tornillos indicados.
- Retire los separadores (C).
- Introduzca los tornillos retirados anteriormente en su sitio.

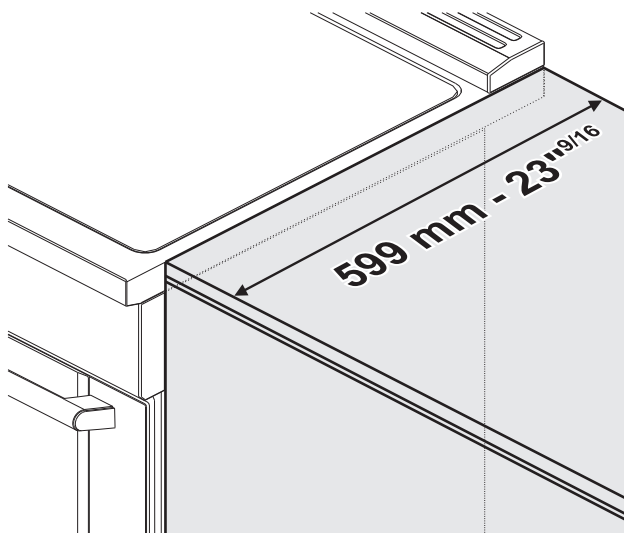


Mantenga una distancia mínima de 5 7/8" (150 mm) entre el aparato y otros muebles o elementos decorativos siguiendo el diagrama que se muestra a continuación.



INSTRUCCIONES DE MONTAJE DE LA ESTUFA ELÉCTRICA DE 30"

La profundidad lateral del armario (distancia **A**) debe coincidir con el borde delantero del panel lateral de la estufa:

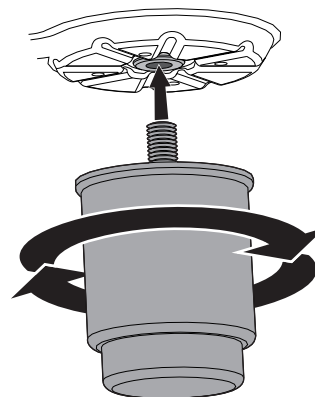


Desembalaje, desplazamiento y ubicación de la estufa

¡ATENCIÓN! Esta unidad ha sido diseñada como aparato de cocción. Por motivos de seguridad, nunca debe utilizarse para calentar ambientes.

- Se recomienda quitar el panel de protección frontal, el respaldo y las rejillas del horno para facilitar el desplazamiento. De esta manera se reducirá el peso para las operaciones de desplazamiento.
- Al ubicar el aparato durante la instalación, no utilice la manija de la puerta para levantar o mover el aparato.
- El aparato se puede mover con una carretilla o con una carretilla elevadora con pinzas (no con un montacargas) solo si todavía está embalado.
- Utilice guantes para evitar cortarse los dedos con los bordes afilados durante la instalación.
- Quite el cartón y el material de embalaje exterior y sepárelo del resto de la unidad.
- Antes de mover la estufa, asegúrese de que las patas estén completamente instaladas.
- Debido a su peso, una vez retirado el material de embalaje, muévala con la ayuda de otra persona.
- Se recomienda proteger el suelo sobre el cual se pondrá la estufa (con madera, tiras de tela, tapetes, paneles, etc.) antes de arrastrar la unidad a su posición.

- Es necesario instalar el dispositivo antivuelco y realizar la conexión eléctrica antes de ubicar la estufa en su posición definitiva.
- Las patas deben montarse cuando el aparato se encuentra cerca del lugar definitivo de instalación, ya que no son seguras para desplazamientos largos. Mantenga la unidad levantada para poder enroscar las patas en sus respectivos acoplamientos y luego bájele suavemente para evitar que las patas y las herramientas de montaje se deformen.

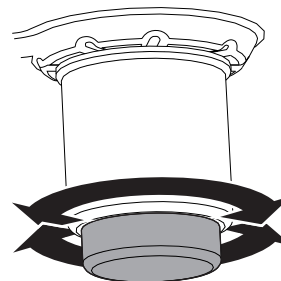


NOTA: Introduzca primero los pies delanteros y, después, los traseros.

Este es el orden correcto de instalación y posicionamiento:

1. Instale y ajuste las patas.
2. Instale el zócalo delantero/lateral.
3. Monte y fije el soporte antivuelco al suelo o a la pared.
4. Conecte el enchufe a la toma a tierra.
5. Mueva la estufa a su posición final.

El rango de ajuste del tornillo es de 1,37 pulgadas (35 mm).



El aparato debe colocarse en el suelo de forma nivelada para garantizar su estabilidad:

- Enrosque o desenrosque la parte inferior del pie hasta que el aparato esté estable y nivelado en el suelo.

NOTA: el aparato debe usarse únicamente con las patas específicas suministradas por el fabricante.

INSTRUCCIONES DE MONTAJE DE LA ESTUFA ELÉCTRICA DE 30"

Conexión eléctrica

⚠ ADVERTENCIA

Peligro de descarga eléctrica



- El aparato cuenta con un enchufe de puesta a tierra con cuatro dientes para la protección contra descargas eléctricas y debe conectarse directamente a una toma de corriente debidamente puesta a tierra. No cortar o quitar por ningún motivo el diente de puesta a tierra del enchufe.
- El diente de puesta a tierra debe enchufarse a un conector de puesta a tierra del mismo tipo y debe conectarse a un circuito de 240 voltios correctamente polarizado. Si tiene alguna duda acerca de la conexión a tierra correcta de la toma de corriente de pared, llame a un electricista cualificado para que lo verifique.

La inobservancia de lo anterior podría producir un incendio, lesiones personales o una descarga eléctrica.

⚠ ADVERTENCIA

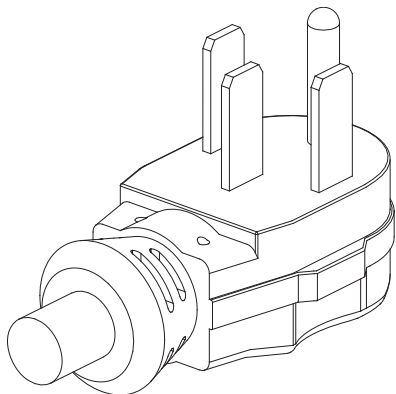
Peligro de descarga eléctrica



- Para su seguridad personal, el aparato debe conectarse a tierra adecuadamente. Para la máxima seguridad, el cable de alimentación debe estar conectado de manera segura a una toma eléctrica o a una caja de conexiones con la tensión correcta, correctamente polarizada y conectada a tierra y protegida por un cortacircuitos, de acuerdo con los códigos locales.
- Es responsabilidad personal del consumidor dotarse de la toma o caja de conexiones apropiada, con una toma de corriente adecuada y debidamente puesta a tierra e instalada por un electricista cualificado. Es responsabilidad y obligación del consumidor contactar con un instalador cualificado para garantizar que la instalación eléctrica sea la adecuada y cumpla con todos los códigos y normativas locales.

INSTRUCCIONES DE MONTAJE DE LA ESTUFA ELÉCTRICA DE 30"

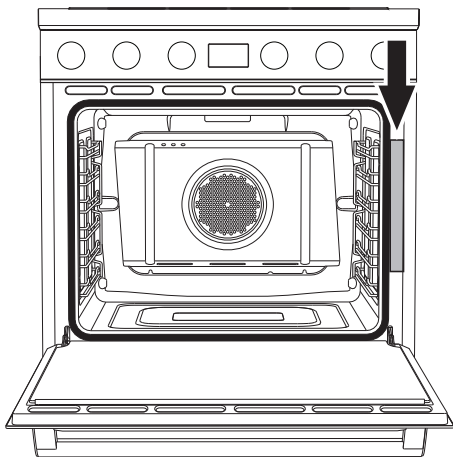
Esta estufa dispone de un cable de alimentación conectado de fábrica. El cable debe conectarse a una toma de corriente con conexión a tierra de 120/240 voltios o 120/208 voltios. Si no hay tomas disponibles, llame a un electricista cualificado para su instalación.



¡ATENCIÓN No utilice tomas múltiples, cables alargadores ni adaptadores.

Vea la placa de identificación para las especificaciones técnicas. La placa de identificación se encuentra visiblemente ubicada a la derecha del marco de la puerta del horno.

Dicha placa de identificación no debe quitarse por ningún motivo.



Fijación a la pared y al suelo

¡ADVERTENCIA



Peligro de descarga eléctrica

- Actúe con extrema precaución al taladrar agujeros en la pared o en el suelo. Podría haber cables eléctricos empotrados en la pared o debajo del suelo.
- Localice los circuitos eléctricos que podrían verse afectados por la instalación del dispositivo antivuelco y córtelos el suministro de corriente.
- El incumplimiento de estas instrucciones puede ocasionar descargas eléctricas u otras lesiones personales.

¡ATENCIÓN

- Póngase en contacto con un instalador o constructor cualificado para determinar el método adecuado para taladrar agujeros en la pared o en el suelo (baldosas cerámicas, madera, etc.).
- El incumplimiento de estas instrucciones puede ocasionar daños a las paredes o al revestimiento del suelo.

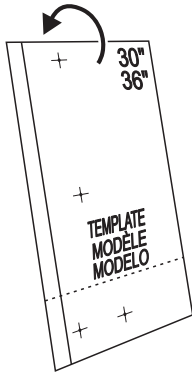
¡ADVERTENCIA

Compruebe visualmente desde el interior del cajón que el soporte de montaje a la pared/suelo esté bien puesto en el gancho lateral correspondiente (a la izquierda).

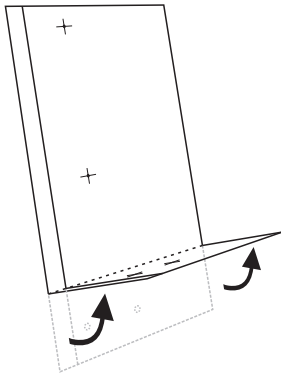
INSTRUCCIONES DE MONTAJE DE LA ESTUFA ELÉCTRICA DE 30"

Coloque el soporte utilizando la plantilla:

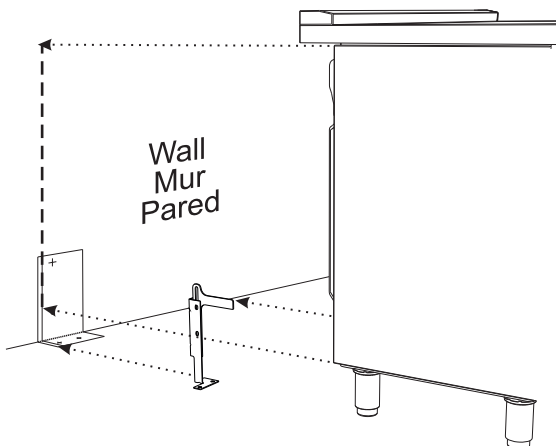
1. Elija el lado correcto de la plantilla, en función del modelo.



2. En función del modelo, doble la hoja de la plantilla siguiendo la línea discontinua horizontal.



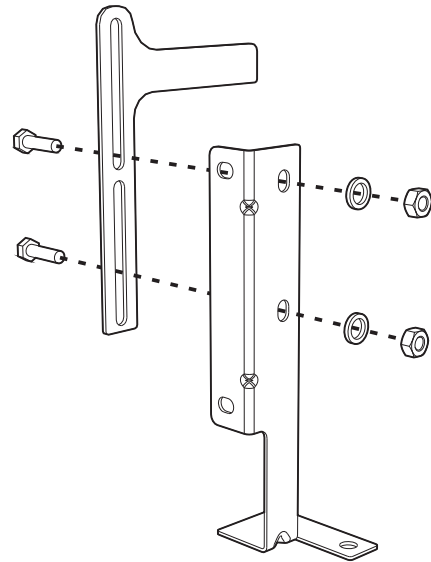
3. Coloque la plantilla de manera que la línea gruesa vertical dibujada sobre ella esté alineada con el borde del lado izquierdo del aparato.



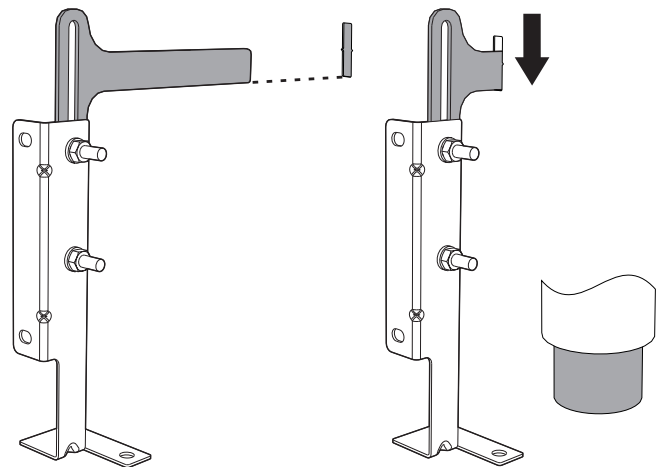
4. Marque la posición de los agujeros de los tornillos, en la pared o en el suelo, dependiendo de cómo desee fijar el soporte.
5. Fije el soporte antivuelco.

Instalación del soporte antivuelco:

1. Verifique que la conexión eléctrica esté en la posición correcta.
2. Monte el soporte.



3. Alinee la base del gancho del soporte con la base en la ranura del soporte de fijación de la pared trasera. Alinee la base del soporte de fijación con el suelo y apriete los tornillos para fijar las medidas.

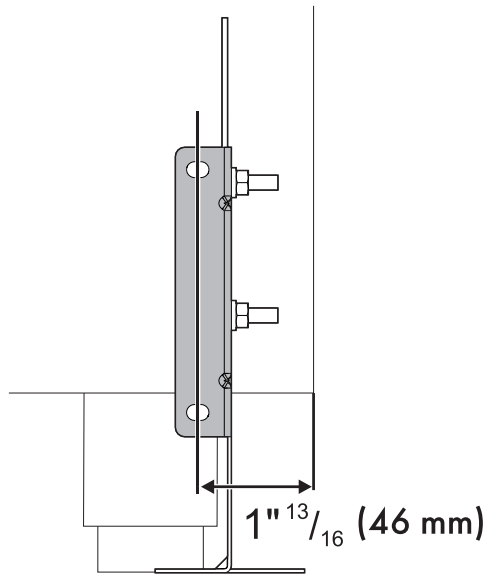


4. Para la fijación a la pared, siga los pasos 5, 6, 9 y 10. Para la fijación al suelo, siga los pasos 7, 8, 9 y 10.

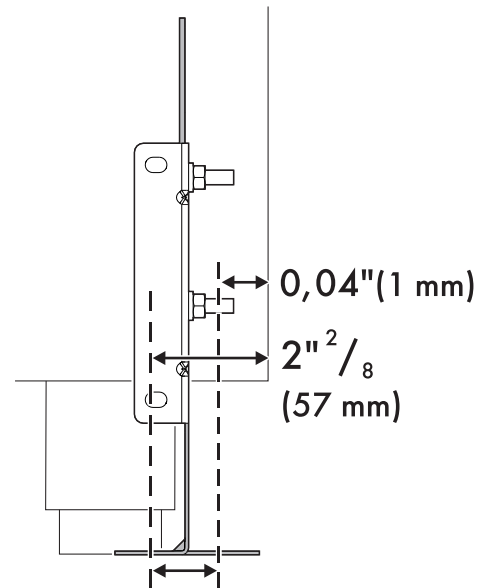
NOTA: Se recomienda la fijación a la pared si el aparato está colocado contra la misma. La fijación al suelo se recomienda en caso de instalación de isla.

INSTRUCCIONES DE MONTAJE DE LA ESTUFA ELÉCTRICA DE 30"

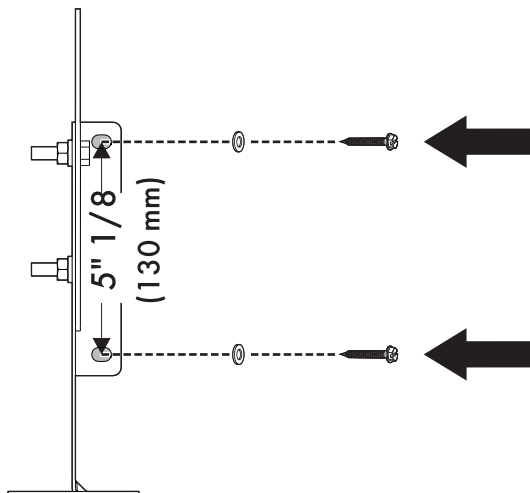
5. Use la distancia especificada desde el lateral del aparato hasta los agujeros del soporte.



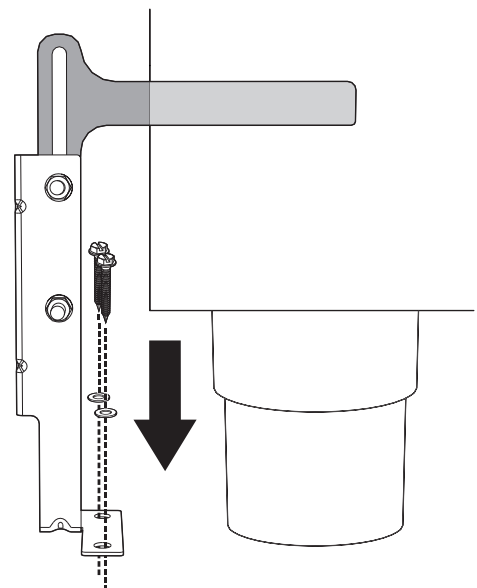
7. Use las siguientes distancias para la distancia desde el lateral del aparato hasta los agujeros del soporte.



6. Mueva el soporte a la pared y fíjelo con las dos arandelas y tornillos. Un técnico cualificado debe comprobar la idoneidad de los materiales de acuerdo con el tipo y la condición de la pared.

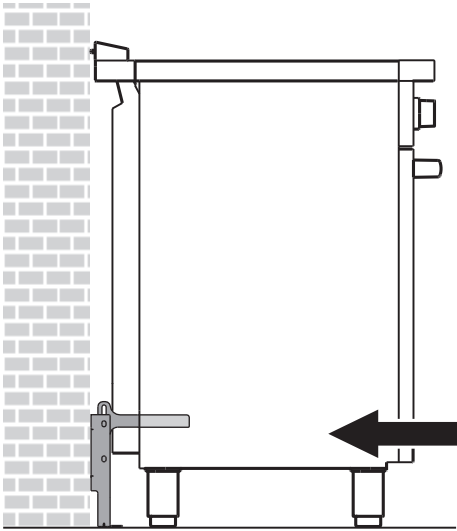


8. Tras haber colocado y nivelado el aparato, mueva el soporte cerca de la parte posterior del aparato y fíjelo al suelo utilizando las dos arandelas y tornillos. Un técnico cualificado debe comprobar la idoneidad de los materiales de acuerdo con el tipo y la condición del suelo.



INSTRUCCIONES DE MONTAJE DE LA ESTUFA ELÉCTRICA DE 30"

9. Empuje la estufa hacia la pared y, al mismo tiempo, introduzca el soporte en la placa que está fijada a la parte trasera del aparato.

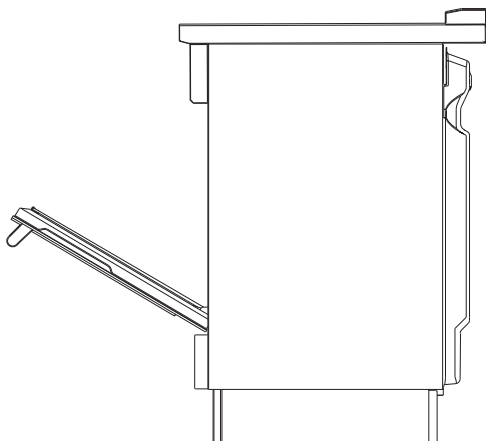


ADVERTENCIA Los bordes de la abertura de ventilación trasera tienen separadores de 3/16" (5 mm) para mantener el aparato ligeramente alejado de la pared trasera. No retire ni altere los separadores debido a posibles problemas de temperatura.

10. Compruebe la correcta instalación y utilización del soporte antivuelco. Incline cuidadosamente la estufa hacia adelante tirando de la parte trasera para garantizar que el soporte antivuelco esté enganchado a la pata de la estufa y evite que se vuelque. La estufa no debería moverse más de 1" (2,5 cm).

Desmontaje de la puerta

No es necesario desmontar la puerta para instalar la estufa, pero es una comodidad más. Haga referencia a la «Guía de uso y cuidado» para las instrucciones desmontaje de la puerta del horno.



914780091-A-462020