

Calabria

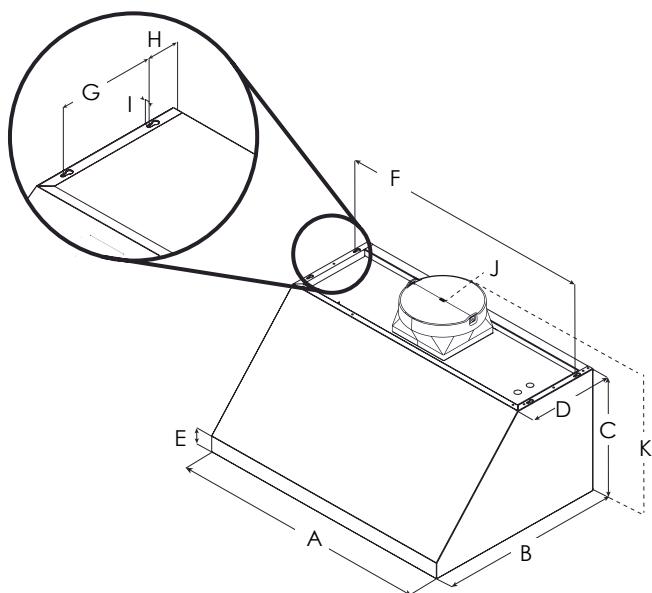
Wallmount hood

Specification sheet



Learn more

MEASUREMENTS



	ECL630S4	ECL636SS* ECL136S4**	ECL142S4	ECL148S4
A	30" (76 cm)	36" (91.1 cm)	42" (106.5 cm)	48" (121.7 cm)
B	25" (63.5 cm)			
C	18" (45.7 cm)			
D	12" (30.3 cm)			
E	1 5/8" (5.7 cm)			
F	29 1/8" (74 cm)	35 1/8" (89.2 cm)	41 1/8" (104.5 cm)	47 1/8" (119.7 cm)
G	7 1/2" (19 cm)			
H	2 9/16" (6.5 cm)			
I	3/8" (1 cm)			
J	6" (15.2 cm)*	6" (15.2 cm)* 8" (20.3 cm)**	8" (20.3 cm)	8" (20.3 cm)
K	21 1 5/16" (55.6 cm)			

DESCRIPTION

For homeowners who are passionate about the culinary arts, the seamless welded corner craftsmanship, traditional styling and gleaming stainless steel of Calabria, provides the look and performance expected from a professional-grade range hood.

With the new backlit hidden knob controls and traditional baffle filters, Calabria is available in 30", 36", 42" and 48" widths and equipped with a 600 CFM (30" and 36") or 1200 CFM blower (36", 42", 48") to support all cooking needs. Designed for standard ducted ventilation or recirculating with a kit.



FEATURES

- Hush system
- Heat guard
- Professional performance
- Grease collectors
- Seamless look



GENERAL PROPERTIES

Width	30"	36"	42"	48"
Model	ECL630S4	ECL636SS* ECL136S4**	ECL142S4	ECL148S4
Dimensions	30"W x 25"D x 18"H	36"W x 25"D x 18"H	42"W x 25"D x 18"H	48"W x 25"D x 18"H
Blower Type ¹ (Internal)	600 CFM (4-speed)	600 CFM (4-speed)* 1200 CFM (4-speed)**	1200 CFM (4-speed)	1200 CFM (4-speed)
Noise (Min-max sones) ¹	1.7-7.0 Sones	1.7-7.0 Sones* 1.7-8.5 Sones**	1.7-8.5 Sones	1.7-8.5 Sones
Electrical	120V-60Hz,463W*	120V-60Hz,490W* 120V-60Hz,913W**	120V-60Hz,913W	120V-60Hz,926W
Illumination	2 LED Lights, 6.5W, 3000K, 540 Lumen/Lamp			
Finish	Stainless Steel			
Controls	Fully Retractable Rotating Knobs with Blue backlighting			
Grease filters	Dishwasher-Safe, Professional Stainless Steel Baffle			
Installation type	Ducted or recirculating with Kit			
Duct transition	6" Round with Backdraft Damper (Top Only)	6" / 8"*** Round with Backdraft Damper (Top Only)	8" Round with Backdraft Damper (Top Only)	8" Round with Backdraft Damper (Top Only)

KITS

Long Chimney Extension(6")	KIT02159	KIT02158	KIT02622	KIT02164
Long Chimney Extension(12")	KIT02160	KIT02161	KIT02623	KIT02165
Heat Lamp	KIT0155106	KIT0155107	KIT0155110	KIT0155111
SS Backsplash w/warm racks	KIT0142864	KIT0142867	KIT0142868	KIT0142870
External Blower	KIT0153054 (1200 CFM blower, 8" or 10" compatible)			
Inline Blower	KIT0154387 (1200 CFM blower, 8" or 10" compatible)			
Inline Blower Shell (1200 CFM)	KIT0179549 (for use with 1200 CFM blower, 8" or 10" compatible)			
Inline Blower Shell (600 CFM)	KIT0205342 (for use with 600 CFM blower, 6" compatible)			
External Blower Shell	KIT0179547 (for use with 1200 CFM blowers only)			
Recirculation (600 CFM)	KIT0192765 (4 round carbon filters)+ KIT0195736 (6" round deflector)			
Recirculation (1200 CFM)	KIT0192765 (4 round carbon filters) + KIT0192763 (8" round deflector)			
Electronic CFM Reduction Bypass	KIT0185752 (Achieves <300 CFM for 600 CFM Blower) KIT0185099 (Achieves <400 CFM for 1200 CFM Blower)			

WARRANTY:² Two (2) Years Parts & In-Home Labor. Earn an additional One (1) Year of Parts & In-Home Labor by registering on elica.com



The product images shown are for illustration purposes only and may not be an exact representation of the product.
¹ CFM and Noise data indicate the performance of the hood blower tested according to international standards. For AHAM Certified Ratings, established in accordance with California Title 24 Standardized test procedure, please refer to AHAM Certified Product Directory. Electric Ratings are declared according to UL.
² For valid warranty extension, register within 3 months from purchase. For USA & Canada Users Only.