

Capri

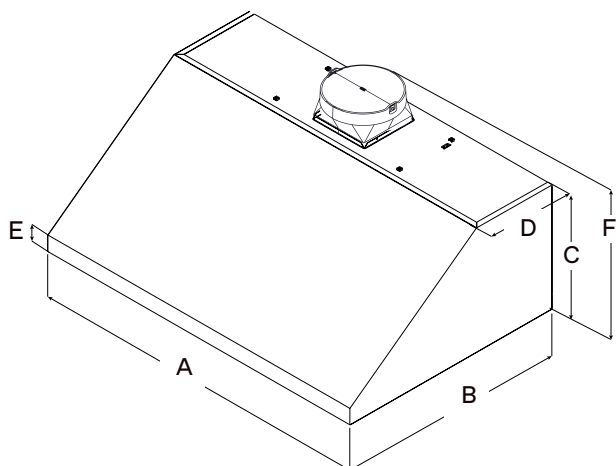
Outdoor hood

Specification sheet



Learn more

MEASUREMENTS



	ECP136SS	ECP148SS
A	36" (91.5 cm)	48" (121.9 cm)
B	32" (81.3 cm)	
C	17 ⁵ / ₁₆ " (45.7 cm)	
D	11 ⁷ / ₈ " (30.2 cm)	
E	2 ¹ / ₈ " (5.41 cm)	
F	22 ³ / ₄ " (57.7cm)	

DESCRIPTION

Tame the outdoors, without sacrificing style and luxury. Capri features a heavy gauge, corrosion-resistant 302-grade stainless steel body, which will withstand the harshest environment.





The extra deep 32" hood body is complimented with dual sets of angled stainless steel professional baffle filters, that provide a 1200 CFM blower has the power to do the job.

For exceptional air capture Capri is available in 36" and 48" widths, an optional 3" spacer will extend the depth to 35" for added capture efficiency, plus optional 12" and 6" duct covers are available to reach any ceiling height.

***Duct cover sold as kit**



FEATURES

-  Heat guard
-  Professional performance
-  Grease collectors
-  Seamless look



GENERAL PROPERTIES

Width	36"	48"
Model	ECP136S1	ECP148S1
Dimensions	36"W x 32"D x 18"H	48"W x 32"D x 18"H
Blower Type (Internal) ¹	1200 CFM (4-speed) (Internal or external)	
Noise (Min-max sones) ¹	1.7-8.5 Sones	
Electrical	120V-60Hz	
Illumination	2 LED, 6.5W, 3000 K	4 LED, 6.5W, 3000K
Finish	Corrosion Resistant Grade Stainless Steel	
Controls	Fully retractable rotating knobs with blue backlighting	
Grease filters	Professional Stainless Steel Baffle (4 with 36" & 6 with 48")	
Installation type	Ducted Installation Only	
Duct transition	10" Round (Top & Rear)	

KITS

External blower 1200 CFM	KIT0153054 (8" or 10" duct size compatible)			
Inline blower 1200 CFM	KIT0154387 (8" or 10" duct size compatible)			
1200 CFM Internal blower	KIT0156655 (for installation by installer)			
	Duct Cover Kit	F	G	H
	KIT0156637	36" (91.2 cm)	6 1/4" (15.2 cm)	11 15/16" (30.2 cm)
	KIT0156641	48" (121.7 cm)		
	KIT0156645	36" (91.2 cm)	12 1/2" (30.4 cm)	
	KIT0156649	48" (121.7 cm)		
	Spacer Kit	I	J	K
	KIT0153304	36" (91.2 cm)	3 5/8" (7.6 cm)	18" (45.71 cm)
	KIT0153305	48" (121.7 cm)		

WARRANTY:²

Two (2) Years Parts & In-Home Labor. Earn an additional One (1) Year of Parts & In-Home Labor by registering on elica.com



The product images shown are for illustration purposes only and may not be an exact representation of the product.
¹ CFM and Noise data indicate the performance of the hood blower tested according to international standards. For AHAM Certified Ratings, established in accordance with California Title 24 Standardized test procedure, please refer to AHAM Certified Product Directory. Electric Ratings are declared according to UL.

² For valid warranty extension, register within 3 months from purchase. For USA & Canada Users Only.