

---

**EN** FRONT LOAD WASHER

FR LAVEUSE Á CHARGEMENT FRONTAL

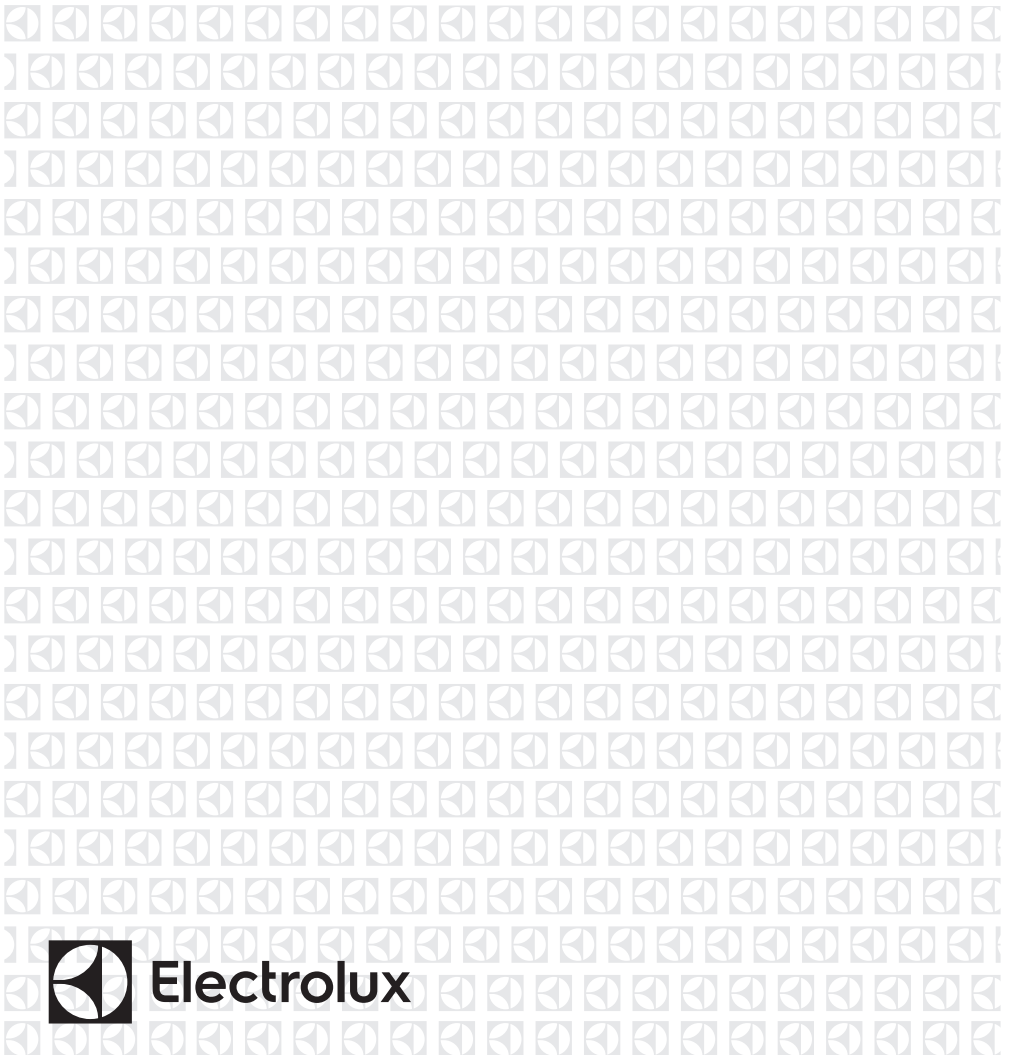
ES LAVADORA DE CARGA FRONTAL

---

INSTALLATION INSTRUCTIONS

INSTRUCTIONS D'INSTALLATION

INSTRUCCIONES DE INSTALACIÓN



**Electrolux**

# 2 Important Safety Instructions



## WARNING

Please read all instructions before using this washer.

### Recognize safety symbols, words and labels

Safety items throughout this manual are labeled with a WARNING or CAUTION based on the risk type as described below:

#### Definitions

**▲** This is the safety alert symbol. It is used to alert you to potential personal injury hazards. Obey all safety messages that follow this symbol to avoid possible injury or death.



## DANGER

DANGER indicates an imminently hazardous situation which, if not avoided, will result in death or serious injury.



## WARNING

WARNING indicates a potentially hazardous situation which, if not avoided, could result in death or serious injury.



## CAUTION

CAUTION indicates a potentially hazardous situation which, if not avoided, may result in minor or moderate injury.



## IMPORTANT

Indicates installation, operation, or maintenance information which is important but not hazard-related.

## Table of Contents

Important Safety Instructions .....	2
Installation Requirements .....	4
Installation Instructions .....	7
Accessories .....	11



## WARNING

### FIRE HAZARD

For your safety the information in this manual must be followed to minimize the risk of fire or explosion or to prevent property damage, personal injury or loss of life. Do not store or use gasoline or other flammable vapors and liquids in the vicinity of this or any other appliance.



## WARNING

### SUFFOCATION HAZARD

Recycle the carton and dispose of the plastic bags after the washer is unpacked. Children might use them for play. Cartons covered with rugs, bedspreads, or plastic sheets can become airtight chambers causing suffocation. Place all materials in a garbage container or make materials inaccessible to children.



## WARNING

### ELECTRIC SHOCK HAZARD

Certain internal parts are intentionally not grounded and may present a risk of electrical shock if contacted during installation.

Do not contact the following parts while the appliance is energized:

- Electronic Motor Control
- Drain Pump
- Recirculation Pump
- Drive Motor



## CAUTION

### EXCESSIVE WEIGHT HAZARD

To avoid back or other injury, have more than one person move or lift the washer.



## IMPORTANT

DO NOT INSTALL YOUR WASHER:

1. ...in an area exposed to dripping water or outside weather conditions. The ambient temperature should never be below 60° F (15.6° C) to maximize detergent effectiveness.
2. ...in an area (garage or garage-type building) where gasoline or other flammables (including automobiles) are kept or stored.
3. ... on carpet. Floor **MUST** be solid with a maximum slope of 1 inch (2.5 cm). To minimize vibration or movement, reinforcement of the floor may be necessary.



## IMPORTANT

The instructions in this manual and all other literature included with this washer are not meant to cover every possible condition and situation that may occur. Good safe practice and caution **MUST** be applied when installing, operating and maintaining any appliance.

Maximum benefits and enjoyment are achieved when all the Safety and Operating Instructions are understood and practiced as a routine with your laundering tasks.



## NOTE

The electrical service to the washer must conform with local codes and ordinances and the latest edition of the National Electrical Code, ANSI/NFPA 70, or in Canada, the Canadian Electrical Code C22.1 part 1.

**SAVE THESE INSTRUCTIONS FOR FUTURE REFERENCE.**

# 4 Installation Requirements

## Please Read and Save this Guide Questions?

Thank you for choosing Electrolux, the premium brand in home appliances. These Installation Instructions are part of our commitment to customer satisfaction and product quality throughout the life of your new appliance.

Toll-free telephone and online support:

**U.S. :** 1-877-4ELECTROLUX  
(1-877-435-3287)  
www.electroluxappliances.com

**Canada:** 1-800-265-8352  
www.electroluxappliances.ca



### Installation Checklist

#### Shipping Hardware

- Foam shipping support (under wash tub) removed and stored
- Shipping bolts and spacers removed from rear of appliance and stored
- Hole plugs (shipped in bag in drum) installed in holes in backsheet

#### Leveling

- Washer is level, side-to-side and front-to-back
- Cabinet is sitting solid on all corners

#### Water Supply

- Use only new hoses and verify rubber sealing washers are installed
- HOT supply is connected to HOT inlet and COLD supply is connected to COLD inlet
- HOT and COLD water supply turned on
- No leaks present at water supply connections or appliance inlet connections - recheck in 24 hours

#### Drain

- Stand pipe or wall drain height min. 24"
- Drain hose snapped in "U" channel (shipped in drum)
- Drain hose secured in place with cable tie (shipped in drum)

#### Electrical Power

- House power turned on
- Washer plugged in

#### Final Checks

- Installation Instructions and Use & Care Guide read thoroughly
- Door locks and water enters drum when cycle starts
- Registration card sent in

### Tools and materials needed for installation:



Adjustable wrench

OR



3/8" or 10 mm box wrench

OR



Ratchet and socket set

AND



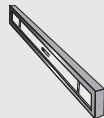
Optional universal wrench

OR



Adjustable pliers

AND



Carpenter's level



Inlet Hose (x2)



#### NOTE

Hoses are not included with washer purchase. See "Accessories" section for various inlet hose kits to fit your specific installation.

## Electrical system requirements

**CIRCUIT** - Individual, properly polarized and grounded 15 amp. branch circuit fused with 15 amp. time delay fuse or circuit breaker.

**POWER SUPPLY** - 2 wire, with ground, 120 volt single phase, 60 Hz, Alternating Current.

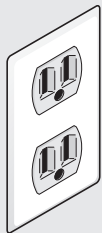


### NOTE

Because of potentially inconsistent voltage capabilities, the use of this washer with power created by gas powered generators, solar powered generators, wind powered generators or any other generator other than the local utility company is not recommended.

**OUTLET RECEPTACLE** - Properly grounded 3-prong receptacle to be located so the power supply cord is accessible when the washer is in an installed position.

### Grounding type wall receptacle



**Do not, under any circumstances, cut, remove, or bypass the grounding prong.**

Power cord with 3-prong grounded plug



### NOTE

GFI (Ground Fault Interrupter) receptacle is not required.

## Ground requirements



### WARNING

#### ELECTRICAL SHOCK HAZARD

Improper connection of the equipment grounding conductor can result in a risk of electrical shock. Check with a licensed electrician if you are in doubt as to whether the appliance is properly grounded.

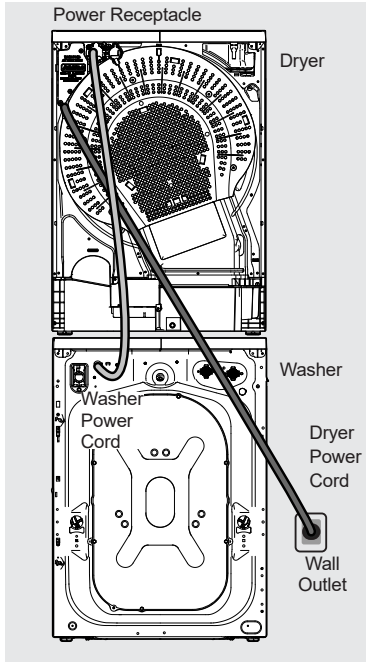
1. The washer **MUST** be grounded. In the event of malfunction or breakdown, grounding will reduce the risk of electrical shock by a path of least resistance for electrical current.
2. Since your washer is equipped with a power supply cord having an equipment-grounding conductor and a grounding plug, the plug **MUST** be plugged into an appropriate, copper wired receptacle that is properly installed and grounded in accordance with all local codes and ordinances or in the absence of local codes, with the National Electrical Codes, ANSI/NFPA 70 (latest edition). If in doubt, call a licensed electrician. **DO NOT** cut off or alter the grounding prong on the power supply cord. In situations where a two-slot receptacle is present, it is the owner's responsibility to have a licensed electrician replace it with a properly grounded three prong grounding type receptacle.



### NOTE

If you have an Electrolux compact dryer model number ELFE4222AW or ELFE422CAW, you may choose to power your Electrolux compact washer through it. See Illustrations.

# 6 Installation Requirements



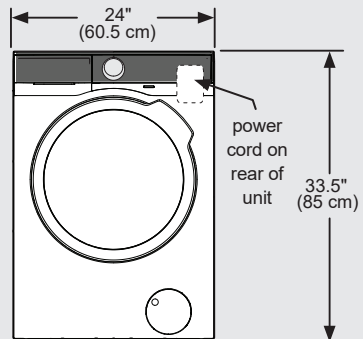
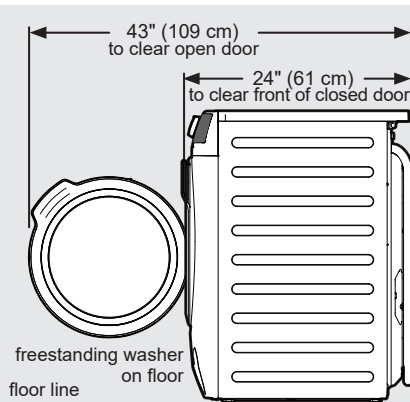
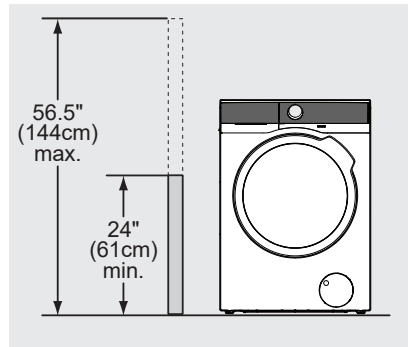
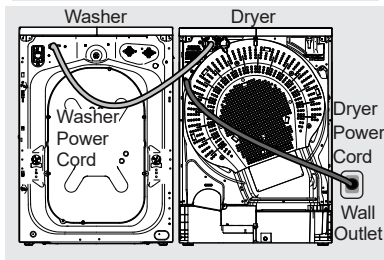
## Water supply requirements

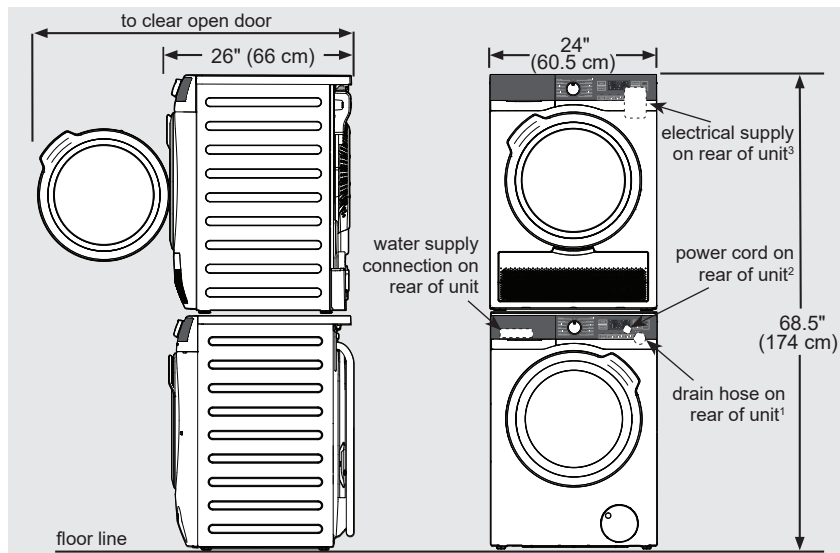
Hot and cold water faucets **MUST** be installed within hose length of your washer's water inlet. The faucets **MUST** be 3/4 inch (1.9 cm) with threading for laundry hose connection. Water pressure **MUST** be between 10 and 110 psi. Pressure difference between hot and cold cannot be more than 10 psi. Your water department can advise you of your water pressure.

## Drain system requirements

1. Drain capable of eliminating 6 gals (22.5 L) per minute.
2. A standpipe diameter of 1-1/4 in. (3.18 cm) minimum.
3. The standpipe height above the floor should be:  
 Minimum height: 24 in. (61 cm)  
 Maximum height: 56.5 in. (144 cm)

## Washer dimensions





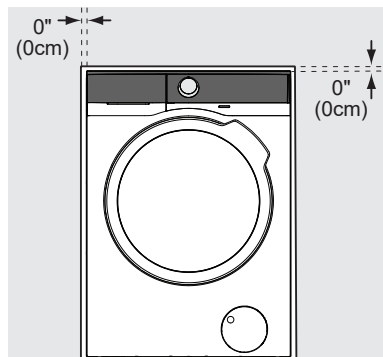
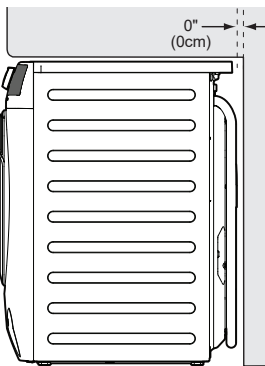
<sup>1</sup>Drain hose length on washer approximately 55 inches (140 cm).

<sup>2</sup>Power supply cord length on washer approximately 59 inches (150 cm).

<sup>3</sup>Power supply cord length on Canadian dryer approximately 59 inches (150 cm).

## Clearance requirements

MINIMUM INSTALLATION CLEARANCES - Inches (cm)				
	SIDES	REAR	TOP	FRONT
Alcove	0" (0 cm)	0" (0 cm)	0" (0 cm)	n/a
Under-Counter	0" (0 cm)	0" (0 cm)	0" (0 cm)	n/a



## Removing foam packaging



### WARNING

#### SUFFOCATION HAZARD

Recycle the carton and dispose of the plastic bags after the washer is unpacked. Children might use them for play. Cartons covered with rugs, bedspreads, or plastic sheets can become airtight chambers causing suffocation. Place all materials in a garbage container or make materials inaccessible to children.

# 8 Installation Instructions

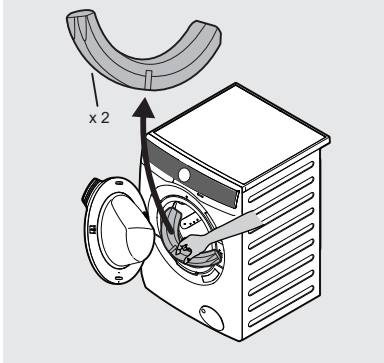
1. Remove door tape and empty drum contents, including foam shipping brace inside rubber gasket of door.
2. Using a foam corner post from the packaging to protect the floor, carefully lay the washer on its back.



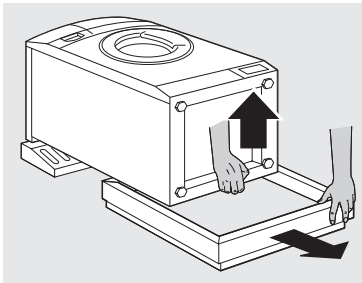
## CAUTION

### EXCESSIVE WEIGHT HAZARD

To avoid back or other injury, have more than one person move or lift the washer.



3. Remove styrofoam base and set it aside.
4. Carefully return the washer to an upright position.
5. Carefully move the washer to within 4 feet (1 m) of its final location.

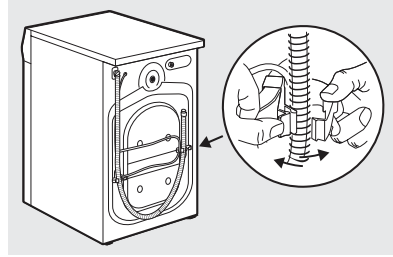


## IMPORTANT

Save styrofoam base and shipping braces for use to help prevent washer damage during any future moves.

## Releasing drain hose

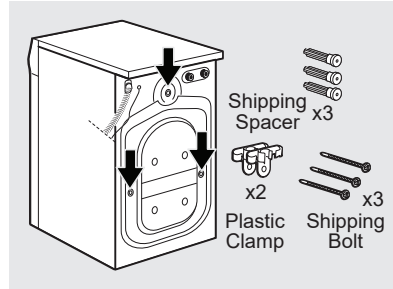
The drain hose is secured in place with two plastic latching clamps. Press the locking tab and release the drain hose.



## Removing shipping hardware

Remove all of the following from the back of the washer:

- 3 shipping bolts
- 2 plastic clamps
- 3 shipping spacers



## NOTE

Rubber expansion material on spacers may need time to relax before they can be easily pulled through shipping hole.



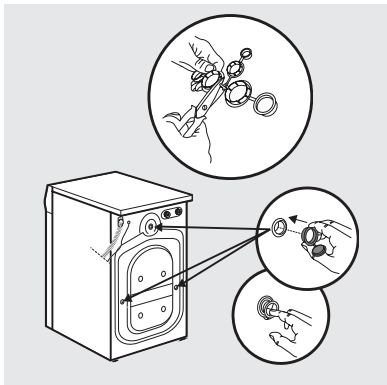
## IMPORTANT

Save all shipping bolts and spacers for future use. If the washer is to be transported at a later date, the shipping hardware must be reinstalled to help prevent shipping damage.



## Installing hole plugs

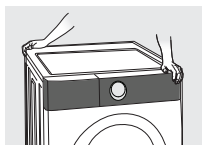
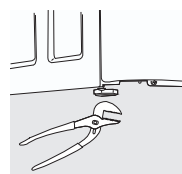
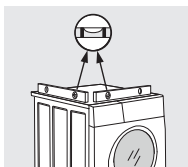
Locate hole plugs in the small bag supplied with washer instruction guides. Cut them apart from each other and insert them in the holes in washer back panel.



## Leveling your washer

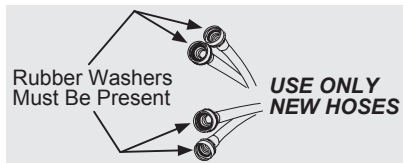
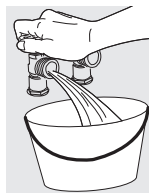
Excessive noise and vibration can be prevented by properly leveling the washer.

1. For free standing installation and with the washer within 4 feet (1 m) of its final location, place a level on top of the washer.
2. Use adjustable pliers or the universal wrench to adjust the leveling legs so the washer is level front-to-rear and side-to-side, and stable corner-to-corner.
3. Press down on alternate corners and sides and feel for the slightest movement. Adjust the appropriate leg(s) so the washer sits solidly on the floor on ALL four legs. Keep the leveling leg extension at a minimum for best performance of the washer.



## Connecting inlet water

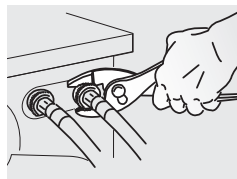
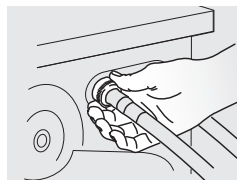
1. Run some water from the hot and cold faucets to flush the water lines and remove particles that might clog the water valve screens and to determine which faucet is hot and which is cold supply.



### NOTE

Hoses are not included with washer purchase. See "Accessories" section for various inlet hose kits to fit your specific installation.

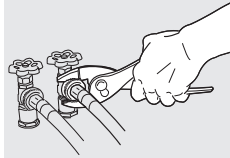
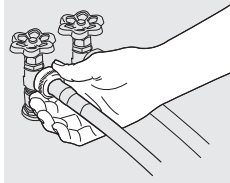
2. Connect the HOT inlet hose to the HOT inlet connection on the washer and the COLD inlet hose to the COLD inlet connection on the washer. Tighten by hand until snug. Then tighten each supply connection another 2/3 turn with pliers.



**Do not cross thread or over-tighten these connections.**

# 10 Installation Instructions

3. Connect the HOT inlet hose to the HOT water supply and the COLD inlet hose to the COLD water supply. Tighten by hand until snug. Then tighten each supply connection another 2/3 turn with pliers.

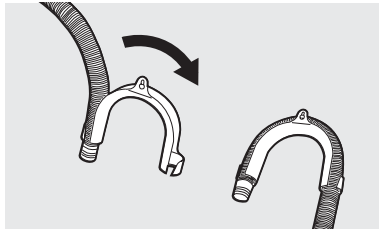


**Do not bend, kink or pinch water inlet hoses.**

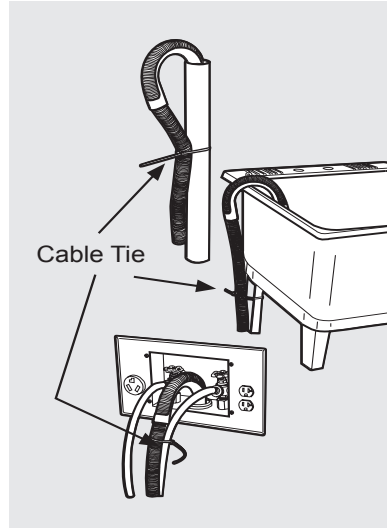
4. Turn on the water and check for leaks.

## Connecting drain and electrical

1. Snap one end of the drain hose hanger (shipped in washer drum) onto the drain hose. Continue wrapping it around the hanger and snap it in place.



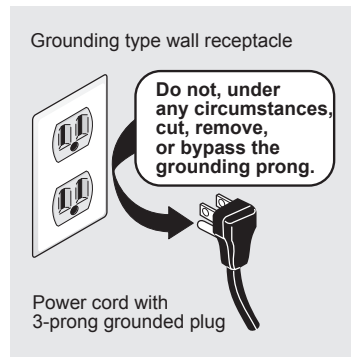
2. Place the hook end of the drain hose in the drain opening. Secure the drain hose with the cable tie (provided in the enclosure package) to the standpipe, inlet hose, laundry tub, etc. so the hose does not pull out from the force of the water.



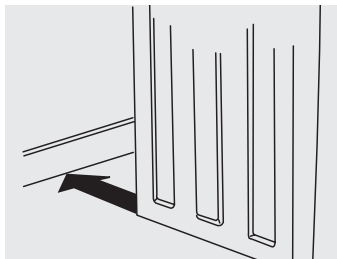
## ▶ IMPORTANT

Check to ensure the power is off at a circuit breaker/fuse box before plugging the power cord into an outlet.

3. Plug the power cord into a grounded outlet.



4. Turn on the power at a circuit breaker/fuse box.
5. Carefully slide the washer to its final position. Recheck for level and rock corners for stability. Remove and discard door tape.



6. Read the Use & Care Guide provided with the washer. It contains valuable and helpful information that will save you time and money.
7. If you have any questions during initial operation, please review the "Service Prevention Checklist" in your Use & Care Guide before calling for service.
8. Place these instructions in a location near the washer for future reference.



## NOTE

A wiring diagram and technical data sheet are located under the washer top panel, on top of the detergent dispenser housing.

## Replacement parts:

If replacements parts are needed for your washer, contact the source where you purchased your washer or refer to your Use & Care Guide for more information.



## WARNING

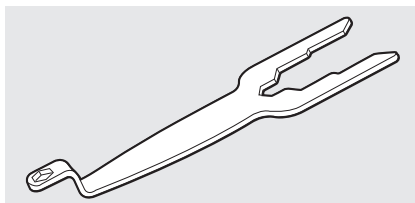
### ELECTRICAL SHOCK HAZARD

Label all wires prior to disconnection when servicing controls. Wiring errors can cause improper and dangerous operation. Verify proper operation after servicing.



## CAUTION

Failure to use accessories manufactured by (or approved by) the manufacturer could result in personal injury, property damage or damage to the washer.



Universal Appliance Wrench

## DRYER STACKING KIT P/N STACKIT24

Depending on the model you purchased, a kit for stacking a matching dryer on top of this washer may have been included in the initial purchase of your dryer. If your model did not include a stacking kit or you desire another stacking kit, you may order one.

## INLET HOSE KITS

Please call 866-233-8353 (in Canada, 800-265-8352) to explore hose kit options that will meet your specific installation needs.

## UNIVERSAL APPLIANCE WRENCH P/N 137019200

A UNIVERSAL APPLIANCE WRENCH is available to aid in dryer/washer/pedestal feet adjustment.

[electrolux.com/shop](http://electrolux.com/shop)

