

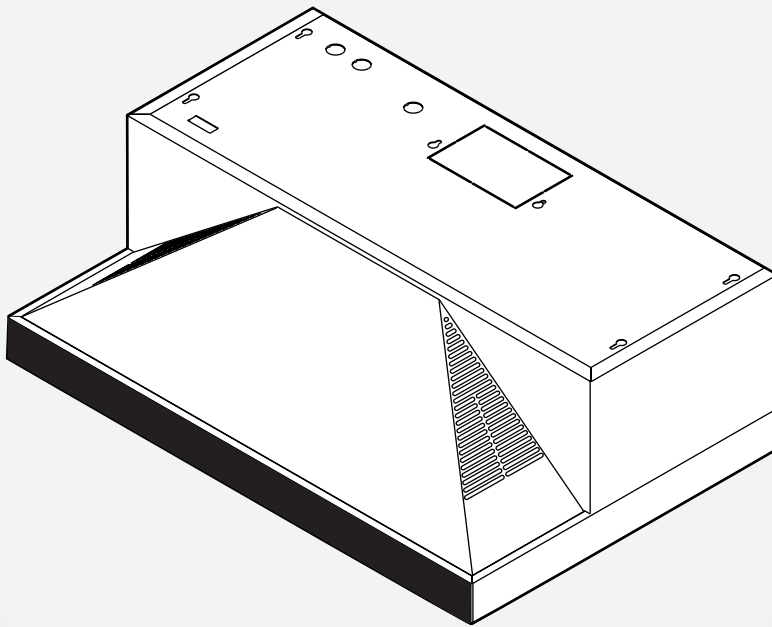
# Use, Care, and Installation Guide

---

Guide  
d'utilisation,  
d'entretien et  
d'installation

---

Guía de  
instalación, uso y  
mantenimiento



READ AND SAVE THESE  
INSTRUCTIONS

---

LISEZ CES  
INSTRUCTIONS ET  
CONSERVEZ-LES

---

LEA Y CONSERVE  
ESTAS INSTRUCCIONES

**Models:** | EMD530S3  
EMD536S3

**Contents**

Important safety notice..... 3

List of materials..... 4

    Parts supplied ..... 4

    Parts not supplied ..... 4

Dimensions and clearances..... 5

Ducting options and examples..... 5

Installation ..... 8

    Electrical connection..... 10

    Complete the installation..... 10

Description of the hood..... 10

Control..... 10

Maintenance ..... 11

Warranty ..... 12

**APPROVED FOR RESIDENTIAL APPLIANCES  
FOR RESIDENTIAL USE ONLY  
READ AND SAVE THESE INSTRUCTIONS**

**PLEASE READ ENTIRE INSTRUCTIONS BEFORE PROCEEDING.  
INSTALLATION MUST COMPLY WITH ALL LOCAL CODES.**

**IMPORTANT:** Save these Instructions for the Local Electrical Inspector’s use.

**INSTALLER:** Please leave these Instructions with this unit for the owner.

**OWNER:** Please retain these instructions for future reference.

**Safety Warning:** Turn off power circuit at service panel and lock out panel, before wiring this appliance.

**Requirement:** 120 V AC, 60 Hz. 15 or 20 A Branch Circuit.

## ⚠ IMPORTANT SAFETY NOTICE

### ⚠ CAUTION

FOR GENERAL VENTILATING USE ONLY. DO NOT USE TO EXHAUST HAZARDOUS OR EXPLOSIVE MATERIALS OR VAPOURS.

### ⚠ WARNING

TO REDUCE THE RISK OF FIRE, ELECTRIC SHOCK, OR INJURY TO PERSONS, OBSERVE THE FOLLOWING:

- A. Use this unit only in the manner intended by the manufacturer. If you have questions, contact the manufacturer.
- B. Before servicing or cleaning the unit, switch power off at service panel and lock service panel disconnecting means to prevent power from being switched on accidentally.  
When the service disconnecting means cannot be locked, securely fasten a prominent warning device, such as a tag, to the service panel.
- C. Installation work and electrical wiring must be done by qualified person(s) in accordance with all applicable codes & standards, including fire-rated construction.
- D. Sufficient air is needed for proper combustion and exhausting of gases through the flue (Chimney) of fuel burning equipment to prevent back-drafting.  
Follow the heating equipment manufacturers guideline and safety standards such as those published by the national fire protection association (NFPA), the american society for heating, refrigeration and air conditioning engineers (ASHRAE), and the local code authorities.
- E. When cutting or drilling into wall or ceiling, do not damage electrical wiring and other hidden utilities.
- F. Ducted systems must always be vented to the outdoors.

### ⚠ CAUTION

To reduce risk of fire and to properly exhaust air, be sure to duct air outside - do not vent exhaust air into spaces within walls, ceilings, attics, crawl spaces, or garages.

### ⚠ WARNING

TO REDUCE THE RISK OF FIRE, USE ONLY METAL DUCT WORK.

Install this hood in accordance with all requirements specified.

### ⚠ WARNING

To reduce the risk of fire or electric shock, do not use this hood with any external solid state speed control device.

### ⚠ WARNING

TO REDUCE THE RISK OF A RANGE TOP GREASE FIRE.

- a) Never leave surface units unattended at high settings. Boilovers cause smoking and greasy spillovers that may ignite. Heat oils slowly on low or medium settings.
- b) Always turn hood ON when cooking at high heat or when flambeing food (I.e. Crepes Suzette, Cherries Jubilee, Peppercorn Beef Flambe').
- c) Clean ventilating fans frequently. Grease should not be allowed to accumulate on fan or filter.
- d) Use proper pan size. Always use cookware appropriate for the size of the surface element.

### ⚠ WARNING

TO REDUCE THE RISK OF INJURY TO PERSONS, IN THE EVENT OF A RANGE TOP GREASE FIRE, OBSERVE THE FOLLOWING:<sup>a</sup>

- a) SMOTHER FLAMES with a close-fitting lid, cookie sheet, or other metal tray, then turn off the gas burner or the electric element. BE CAREFUL TO PREVENT BURNS. If the flames do not go out immediately, EVACUATE AND CALL THE FIRE DEPARTMENT.
- b) NEVER PICK UP A FLAMING PAN - you may be burned.
- c) DO NOT USE WATER, including wet dishcloths or towels - a violent steam explosion will result.
- d) Use an extinguisher ONLY if:
  - 1) You know you have a class ABC extinguisher, and you already know how to operate it.
  - 2) The fire is small and contained in the area where it started.
  - 3) The fire department is being called.
  - 4) You can fight the fire with your back to an exit.
- e) Ducted fans must always be vented to the outdoor.

<sup>a</sup>Based on "Kitchen Fire Safety Tips" published by NFPA.

### ⚠ CAUTION

Automatically Operated Device - To Reduce The Risk Of Injury Disconnect From Power Supply Before Servicing.

# LIST OF MATERIALS

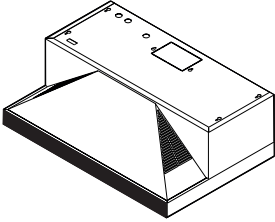





Removing the packaging.

**⚠ CAUTION**

Remove carton carefully, wear gloves to protect against sharp edges.

**⚠ WARNING**

Remove the protective film covering the product before putting into operation.

| Supplied Part  | Pieces |
|--|--------|
|  <p>Hood assembly and LED lamps already installed</p> | 1      |
|  <p>5.4x75 mm</p>                                     | 6      |
|  <p>5x45 mm</p>                                       | 6      |
|  <p>4x8 mm</p>  | 4      |
|  <p>4.5x13 mm</p>                                    | 4      |
|  <p>3.5x9.5 mm</p>                                  | 3      |


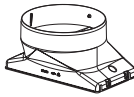
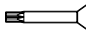
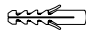


Parts not supplied

**Tools/Materials required**

- Level
- Drill with 1/4" (3.0 cm), 1/8" (3.0 mm), 1/16" (4.8 mm) drill bits
- Pencil
- Wire stripper or utility knife
- Tape measure or ruler
- Pliers
- Caulking gun and weatherproof caulking compound
- Vent clamps
- Saber or keyhole saw
- Metal snips
- Screwdrivers:
  - Phillips
  - Flat-blade
  - Torx #10

**Optional accessories and consumable parts**

| KIT                                    | # Part   |
|--|----------|
| <b>Charcoal filter replacement Kit</b> | KIT02667 |

| Supplied Part   | Pieces |
|---|--------|
|  <p>Rectangular duct 3 1/4" x 10" (8.3 x 25.4 cm) with back draft dampers</p> | 1      |
|  <p>6" round air transition</p>   | 1      |
|  <p>Torx 20 adapter</p>   | 1      |
|  <p>8x40 mm</p>   | 6      |
|  <p>10x60 mm wall anchors</p>  | 6      |
|  <p>Ø 6.4x18 mm washers</p>   | 2      |

**Location requirements:**

**IMPORTANT:** Observe all governing codes and ordinances. Have a qualified technician install the range hood. It is the installer's responsibility to comply with installation clearances specified on the model/serial rating plate. The model/serial rating plate is located inside the liner behind the filter on the left wall of the range hood. Range hood location should be away from strong draft areas, such as windows, doors, and strong heating vents. Cabinet opening dimensions that are shown must be used. Given dimensions provide minimum clearance. Consult your cooktop/ range manufacturer installation instructions before making any cutouts. Grounded electrical outlet is required. See "Electrical Requirements" section. The range hood is factory set for vented installations through the roof or wall. For non-vented (recirculating) installations see "Non- Vented (recirculating) Installation Through the Soffit/Cabinet" in the "Prepare Location" section. Recirculation Kit Part is available from your dealer or an authorized parts distributor. All openings in ceiling and wall where range hood will be installed must be sealed.

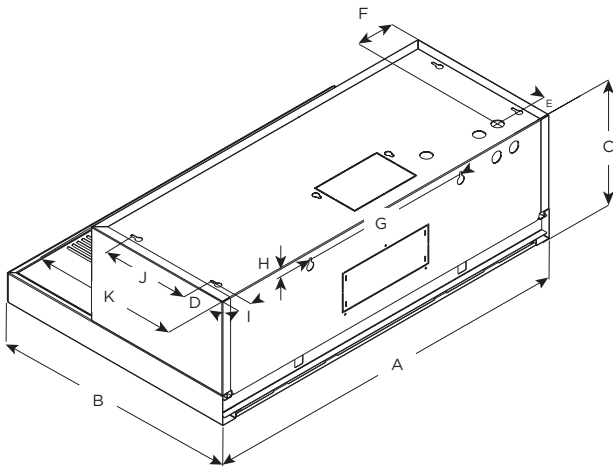
**For mobile home installations**

The installation of this range hood must conform to the Manufactured Home Construction Safety Standards, Title 24 CFR, Part 328 (formerly the Federal Standard for Mobile Home Construction and Safety, title 24, HUD, Part 280) or when such standard is not applicable, the standard for Manufactured Home Installation 1982 (Manufactured Home Sites, Communities and Setups) ANSI A225.1/NFPA 501A, or latest edition, or with local codes.

†®TORX is a registered trademark of Saturn Fasteners, Inc.

# LOCATION REQUIREMENTS

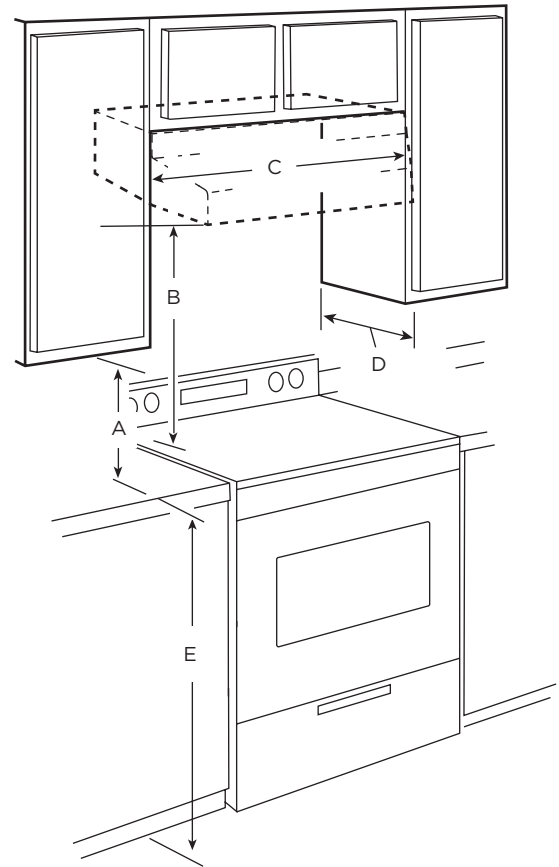
## Product dimensions



|          | Models                                     |   |
|----------|--|---|
|          | EMD530S3                                   | EMD536S3                                  |
| <b>A</b> | 30" (76 cm)                                | 36" (91.2 cm)                             |
| <b>B</b> | 19 <sup>5</sup> / <sub>8</sub> " (50 cm)   |   |
| <b>C</b> | 9 <sup>3</sup> / <sub>4</sub> " (25 cm)    |   |
| <b>D</b> | 2 <sup>3</sup> / <sub>16</sub> " (5.5 cm)  |   |
| <b>E</b> | 1 <sup>10</sup> / <sub>16</sub> " (4 cm)   |   |
| <b>F</b> | 3" (7.6 cm)                                | 5 <sup>3</sup> / <sub>4</sub> " (14.6 cm) |
| <b>G</b> | 13 <sup>13</sup> / <sub>16</sub> " (35 cm) |   |
| <b>H</b> | 5 <sup>8</sup> / <sub>16</sub> " (1.6 cm)  |   |
| <b>I</b> | 1 <sup>3</sup> / <sub>16</sub> " (3 cm)    |   |
| <b>J</b> | 7 <sup>1</sup> / <sub>4</sub> " (18.4 cm)  |   |
| <b>K</b> | 12" (30.5 cm)                              |   |

For gas range installation: Mount this hood so that the bottom edge is at minimum 27"(68.6 cm) above the cooking surface.  
For electric range installation: mount this hood so that the bottom is not less than 24"(61 cm).

## Installation clearances



- A. 18" (45.7 cm) min. clearance - upper cabinet to countertop
- B. 24" (61 cm) min. for electric cooking surfaces  
27" (68.6 cm) min. for gas cooking surfaces  
36" (91.4 cm) suggested max. - bottom of range hood to cooking surface
- C. 30" or 36" (76.2 cm or 91.4 cm) min. cabinet opening width
- D. 12" (30.5 cm) cabinet depth
- E. 36" (91.4 cm) base cabinet height

## Ducting Options

- Vent system must terminate to the outdoors, except for no vented (recirculating) installations.
- Do not terminate the vent system in an attic or other enclosed area.
- Do not use a 4" (10.2 cm) laundry-type wall cap.
- Rigid metal vent is recommended. Plastic or metal foil vent is not recommended. The length of vent system and number of elbows should be kept to a minimum to provide efficient performance.

### For the most efficient and quiet operation:

- Use no more than three 90° elbows.
- Make sure there is a minimum of 24" (61 cm) of straight vent between the elbows if more than 1 elbow is used.
- Do not install 2 elbows together.
- Use clamps to seal all joints in the vent system.
- The vent system must have a damper.
- Use caulking to seal exterior wall or roof opening around the cap.
- The size of the vent should be uniform.

## Cold weather installations

An additional back draft damper non return valve should be installed to minimize backward cold air flow and a thermal break should be installed to minimize conduction of outside temperatures as part of the vent system. The damper non return valve should be on the cold air side of the thermal break.

The break should be as close as possible to where the vent system enters the heated portion of the house.

## Makeup air

Local building codes may require the use of makeup air systems when using ventilation systems with greater than specified CFM of air movement. The specified CFM varies from locale to locale.

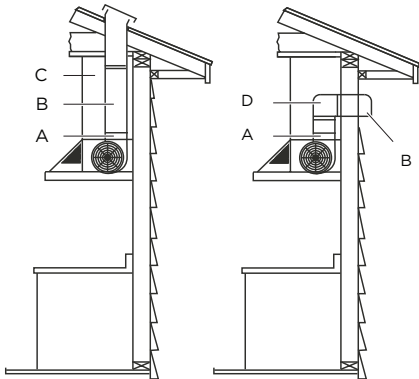
Consult your HVAC professional for specific requirements in your area.

## Venting methods

Vent system can terminate either through the roof or wall. Use 3/4" x 10" (8.3 x 25.4 cm) with a maximum vent length of 35 ft (10.7 m) or 6" (15.2 cm) or larger round vent with a maximum length of 50 ft (15.2 m) for vent system. In cases where it should not be possible to discharge cooking fumes and vapour to the outside, purchase Charcoal Filter Replacement Kit.

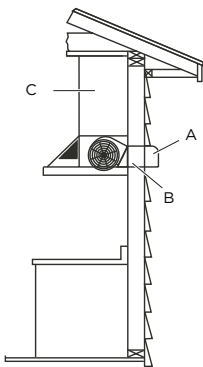
**NOTE:** Flexible vent is not recommended. Flexible vent creates back pressure and air turbulence that gently reduces performance.

### Vertical Discharge



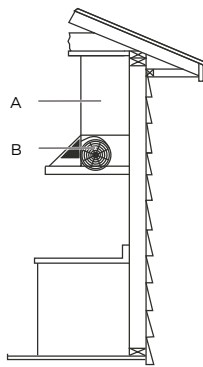
- A. 6" (15.2 cm) round transition
- B. 6" (15.2 cm) duct
- C. Cabinet
- D. 90° elbow

### Horizontal Discharge



- A. 3/4" x 10" (8.3 x 25.4 cm) rectangular transition
- B. 3/4" x 10" (8.3 x 25.4 cm) duct
- C. Cabinet

### Recirculating



- A. Cabinet
- B. Charcoal filters

## Preparation

We recommend that a qualified technician install the range hood. It is the installer's responsibility to ensure the range hood complies with the installation clearances specified for the product.

### Preparing the location

- We recommend you install the vent system before you install the hood.
- Before making cutouts, make sure there is proper clearance within the ceiling or wall for vent fittings.
- Making the cutout to the bottom of the cabinet may be easier to do prior to mounting the cabinet to the wall.

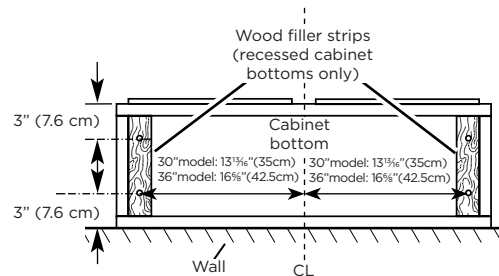
- 1 Disconnect power.
- 2 Determine which venting method to use: roof, wall or non vented.
- 3 Select a flat surface for assembling the range hood. Place a covering over that surface.

### ⚠WARNING:

#### EXCESSIVE WEIGHT HAZARD

**USE TWO OR MORE PEOPLE TO MOVE AND INSTALL RANGE HOOD. FAILURE TO DO SO CAN RESULT IN BACK OR OTHER INJURY.**

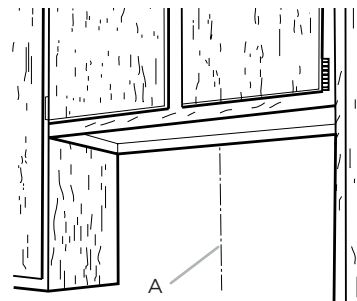
- 4 Using 2 or more people, lift the range hood onto covered surface.
- 5 If cabinet has recessed bottom, add wood filler strips on each side. Install screws to attach filler strips in locations shown.



### Determine wiring hole location

Cut only one 1/4" (3.2 cm) diameter wiring access hole. See Step 2 for wiring hole location instructions.

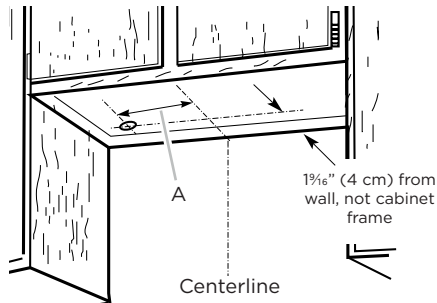
- 1 Determine and clearly mark a vertical centerline on the wall and cabinet in the area the vent opening will be made.



A. Centerline

## 2. To wire through top:

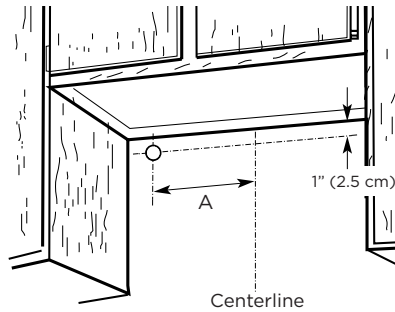
Mark a line distance "A" from the left of the centerline on the underside of the cabinet. Mark the point on this line that is  $1\frac{1}{16}$ " (4 cm) from back wall. Drill a  $1\frac{1}{4}$ " (3.2 cm) diameter hole through the cabinet at this point.



A. 12" (30.5 cm) for 30" (76.2 cm) models  
12 $\frac{1}{4}$ " (31.1 cm) for 36" (91.4 cm) models

## 3. To wire through wall:

Mark a line distance "A" from the left of the centerline on the underside of the cabinet. Mark a point on this line that is 1" (2.54 cm) from back wall. Drill a  $1\frac{1}{4}$ " (3.2 cm) diameter hole through the cabinet at this point.



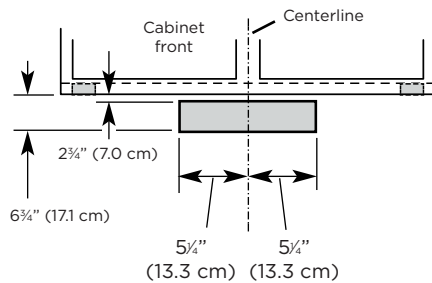
A. 12" (30.5 cm) for 30" (76.2 cm) models  
12 $\frac{1}{4}$ " (31.1 cm) for 36" (91.4 cm) models

## STYLE 1 - CUT OPENINGS FOR 3 $\frac{1}{4}$ " X 10" (8.3 CM X 25.4 CM) RECTANGULAR VENT SYSTEM

### Wall venting

To make a 4" x 10 $\frac{1}{2}$ " (10.2 cm x 26.7 cm) rectangle in the wall:

- 1 Draw one line  $2\frac{3}{4}$ " (7.0 cm) and a second line  $6\frac{3}{4}$ " (17.1 cm) below the underside of the cabinet. Extend these lines through the centerline on the back wall.
- 2 Draw lines  $5\frac{1}{4}$ " (13.3 cm) to the right and left of the centerline on the wall. Make sure these lines intersect with the lines you drew in Step 1.
- 3 With the lines you drew as a guide, use a saber or keyhole saw to cut a rectangular opening in the wall for the vent.

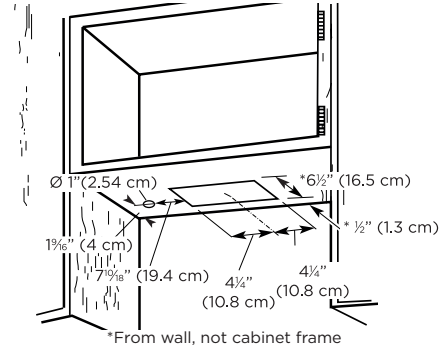


## STYLE 2 - CUT OPENINGS FOR TOP VENT OUTLET (FROM RECTANGULAR TO 6" (15.2 CM) ROUND VENT SYSTEM)

### Roof venting

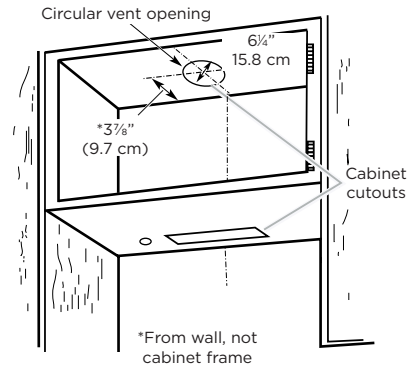
To make a 6 $\frac{1}{2}$ " x 8 $\frac{1}{2}$ " (16.5 cm x 21.6 cm) rectangle in the cabinet bottom:

- 1 Draw a line  $\frac{1}{2}$ " (1.3 cm) from the back wall on the centerline of the underside of the cabinet, and then draw another line  $6\frac{1}{2}$ " (16.5 cm) from the first line.
- 2 Draw lines  $4\frac{1}{4}$ " (10.8 cm) to the right and left of the centerline on the underside of cabinet.
- 3 With the lines you drew as a guide, use a saber or keyhole saw to cut a rectangular opening for the vent.



### To make a circular vent opening on the underside of the cabinet top:

- 1 Draw a centerline on the underside of the top of cabinet.
- 2 Draw a line  $3\frac{7}{8}$ " (9.7 cm) from the back wall on the underside of the top of cabinet. Make sure the line intersects with the line you drew in Step 1.
- 3 Where the two lines intersect, use a compass or a circle template to draw a  $6\frac{1}{4}$ " (15.2 cm) circle.
- 4 With the circle you drew as a guide, use a saber or keyhole saw to cut the circular vent opening.

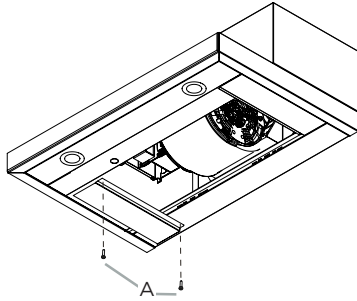


### Install vent system

- 1 Install the vent through the vent opening in cabinet or wall. Complete venting system according to the selected venting method. See "Venting Requirements" section.
- 2 Use caulking to seal exterior wall or roof opening around the cap.

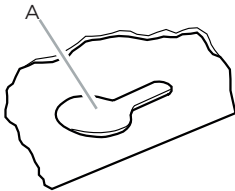
## Installation of the Range Hood

- 1 Remove the grease filters. See the "Maintenance" section.
- 2 Remove foam shipping pad from behind the blower motor.
- 3 Remove the left stainless piece, see image below.



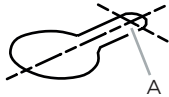
A. Left stainless piece screws (2)

- 4 Lift the range hood up under cabinet and determine its final location by centering beneath cabinet. Mark on the underside of cabinet the location of the 4 keyhole mounting slots on the range hood. Set range hood aside on a covered surface.



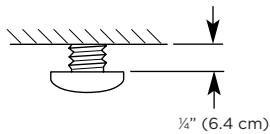
A. Keyhole slot

- 5 Use 1/8" (3 mm) drill bit and drill 4 pilot holes as shown.



A. Drill pilot hole

- 6 Install the 4 - 4.5 x 13 mm mounting screws in pilot holes. Leave about 1/4" (6.4 mm) space between screw heads and cabinet to slide range hood into place.



- 7 Replace the left stainless piece removed previously in step 3.

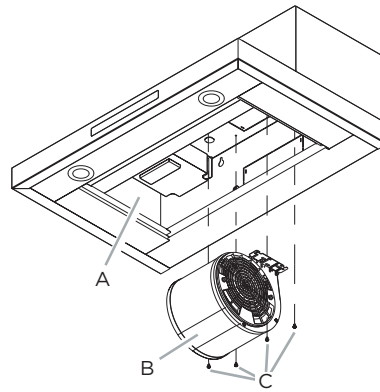
### Vent connector installation

Determine whether the range hood will be installed using either a top or rear vent connection.

### Rear vent transition installation

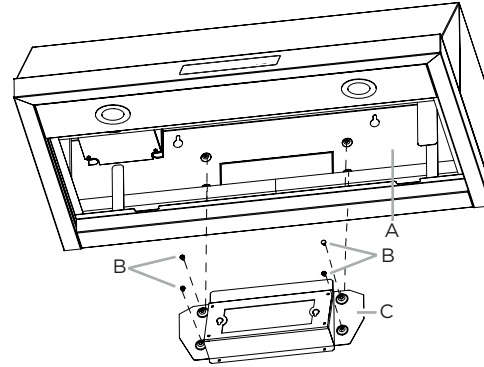
**NOTE:** For rear venting, the blower motor position must be changed. It will need the rear motor mounting bracket that is included with the range hood.

- 1 Place range hood on its back. Fit the vent system over the exhaust outlet.
- 2 Disconnect the blower motor electrical connector from the electrical box connector.
- 3 Using a T20® adapter, remove the 4 screws holding the blower motor in place. Push up on the blower motor to disengage the tabs from range hood cavity back. Remove the blower motor and set it aside.



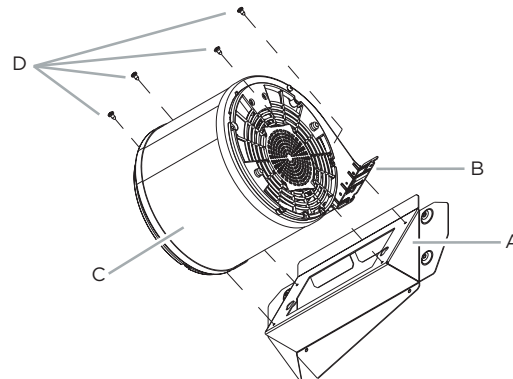
A. Range hood canopy (inside top)  
B. Blower motor  
C. Blower motor mounting screws

- 4 Install the rear blower mounting bracket into the range hood and secure it with the (4) 4 x 8 mm screws.



A. Range hood canopy (inside back)  
B. 4 x 8 mm screws (4)  
C. Rear blower motor mounting bracket assembly

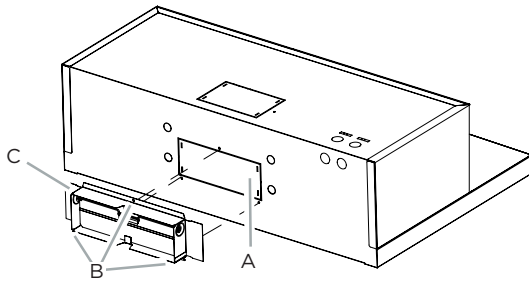
- 5 Install the blower motor onto the rear motor mounting bracket (included with the range hood). Engage the motor mounting tabs with the keyhole slots in the rear mounting bracket and push down to secure. Install the 4 screws removed previously and tighten to secure motor bracket.



A. Rear motor mounting bracket  
B. Motor mounting tabs (2)  
C. Blower motor  
D. Blower motor mounting screws (4)

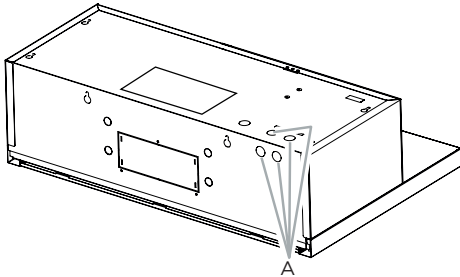
- 6 Reconnect blower motor electrical connector to the electrical box connector.
- 7 Remove the rear vent knockout.
- 8 Attach the 3 1/4" x 10" (8.3 cm x 25.4 cm) rectangular vent damper using 3- 3.5 x 95 mm vent transition mounting screws.





A. Rear vent knockout  
B. Rear rectangular transition knockout mounting screws (3)  
C. Rear rectangular vent transition

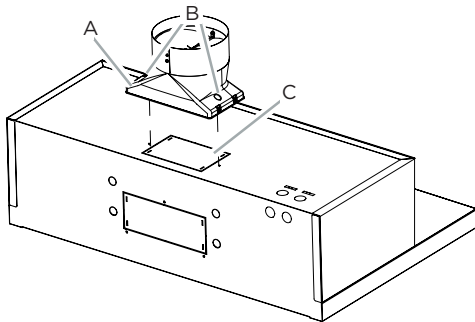
- Remove one of the round knockout from the top or back of the range hood (depending on your wiring location) for the wiring strain relief and install a 1/2" UL listed or CSA approved strain relief.



A. Round knockout

#### Top vent transition installation

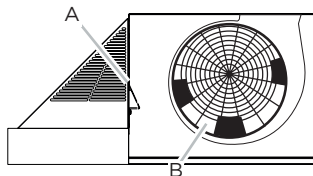
- Remove the top vent knockout.
- Attach the round vent transition damper using 2-3.5 x 9.5 mm vent transition mounting screws.
- Remove tape from damper flap.



A. Top round vent transition  
B. Top round vent transition mounting screws (2)  
C. Top vent knockout

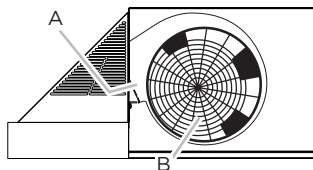
#### For non-vented (recirculating) installations

- Remove the blower mounting screws. Push up on the blower to detach the blower from the mounting plate.



A. Front mounting plate knockout  
B. Blower

- Rotate the blower and attach to front mounting plate. Install the blower mounting screws

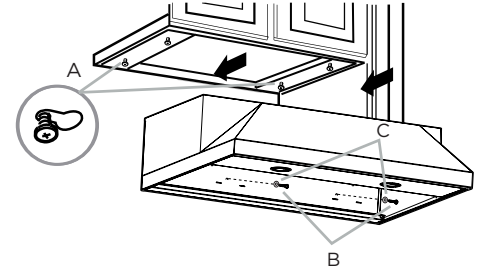


A. Front mounting plate  
B. Blower

- Install charcoal filters. See the "Maintenance" section.

#### Install range hood to cabinet

- Using 2 people, lift range hood into final location. Feed enough electrical wire through the strain relief to make connections in the terminal box. Tighten the strain relief screws.
- Position the range hood so that the large end of the keyhole slots are over the mounting screws. Then push the hood toward the wall so that the screws are in the neck of the slots. The hood should be against the wall. Tighten the mounting screws, making sure mounting screws are in the narrow neck of the slots.

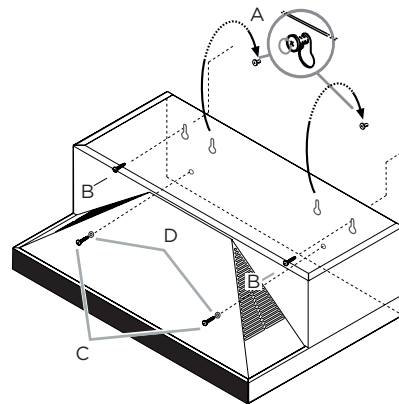


A. 4- mounting screws B. Security screws C. Washers

- Check that damper, if used, rotates up and down freely.
- Connect ventwork to hood. Seal joints with clamps to make secure and airtight.

#### Install range hood to the wall

- Fix the wiring conduit of the hood.
- Slide the hood back against the wall. Tighten the mounting screws. Be sure the screw heads are in the narrow neck of the keyhole slot.

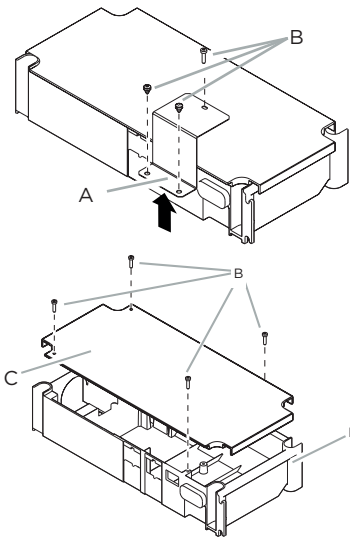


A. Mounting screws  
B. Upper security screws (Wall Installation)  
C. Lower security screws (Wall Installation)  
D. Washers

- Insert 2 screws into the upper security screw locations (see B in the image above). Tighten the screws.
- Insert 2 screws into the lower security screw location (see C in the image above). Tighten the screws.
- Connect the Ductwork to the hood.

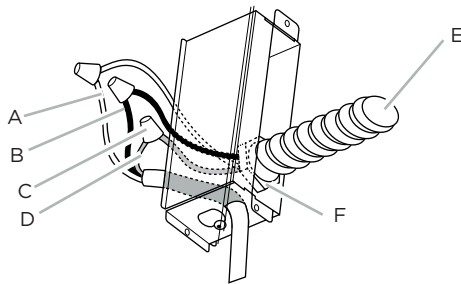
## Electrical Connection

- 1 Disconnect power.
- 2 Remove the bracket and then the terminal box cover.



A. Bracket  
B. Terminal box screws  
C. Terminal box cover  
D. Terminal box

- 3 Remove the knockout in the terminal box cover and install a UL listed or CSA approved ½" strain relief.



A. White wires  
B. Black wires  
C. UL listed wire connectors  
D. Green (or bare) and yellow-green ground wire  
E. Home power supply cable  
F. UL listed or CSA approved ½" strain relief

- 4 Use UL listed wire connectors and connect the black wires (B) together. Use UL listed wire connectors and connect the white wires (A) together.

**⚠ WARNING:**  
**ELECTRICAL SHOCK HAZARD. ELECTRICALLY GROUND BLOWER. CONNECT THE GROUND WIRE TO THE GREEN AND YELLOW GROUND WIRE IN THE TERMINAL BOX. FAILURE TO DO SO CAN RESULT IN DEATH OR ELECTRICAL SHOCK.**

- 5 Connect the green (or bare) ground wire from the home power supply to the yellow-green ground wire (D) in the terminal box using UL listed wire connectors.
- 6 Install the terminal box cover.
- 7 Reconnect the power.

## Complete Installation

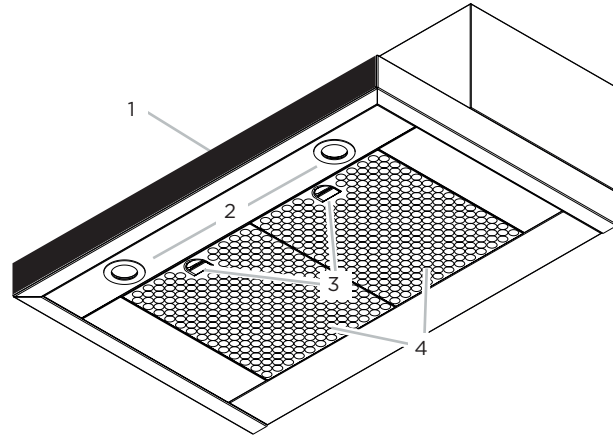
Replace filters. Check operation of the hood.

### If range hood does not operate:

- Check that the circuit breaker is not tripped or the house fuse blown.
- Disconnect power supply. Check that wiring is correct.

To get the most efficient use from your new range hood, read the "Maintenance" section. Keep your Installation Instructions and Use and Care Guide close to range hood for easy reference.

## Description of the Hood



1. Blower and light controls
2. LED lamps
3. Grease filter handle
4. Grease filter


## Control



1. Button ON/OFF motor (stand by)
2. Button for low speed (suction power) selection  
When flashing, it indicates that you must wash the grease filter.
3. Button for medium speed (suction power) selection
4. Button for high speed (suction power) selection
5. Button for intensive speed (suction power) selection  
It lasts 5 minutes then it returns to medium speed (suction power).
6. Button ON/OFF lighting  
Press briefly to switch on or off the lighting of the hood.  
Press and hold to adjust the intensity of the light.

### Indicators of filter saturation:

At regular time intervals, the hood indicates the need of performing filter maintenance.


**Button  on with steady light:**  
Perform grease filter maintenance.

**Button  flashing:**

Perform activated charcoal filter maintenance.

**NOTE:** Filter saturation signal is visible within the first minute after switching off the hood; within this time, the reset of saturation indicators must be performed.


### Reset of filter saturation indicators:

Press and hold the button 

### Activation of saturation indicator activated charcoal filter:

**NOTE:** This operation must be performed with the hood off. This indicator is normally deactivated; press and hold the

button  to activate the function: the button lights up with steady light.

To deactivate the function, press and hold the button , the button lights up flashing.

**Before operating your hood:**

Some States and Provinces of the US & Canada restrict the maximum exhausting airflow of range hoods. Airflow is measured as cubic feet per minute (CFM). These maximum levels allowed are detailed in the local code of your area. Please check local codes to find out if you need to restrict the maximum airflow of your hood. If your local code mandates a maximum airflow level below the maximum airflow of this hood (i.e. 600 CFM), please execute the procedure below to reduce the maximum airflow.



- 1 Turn the motor OFF.
- 2 Press the ON/OFF (1) and Intensive speed (5) buttons together for 3 seconds.  
You will hear a beep and all control lights will illuminate for 3 seconds.  
This action will Disable speeds 3 and 4 and effectively lower the Maximum airflow to > 300 CFM.
- 3 Locate the CFM certification sticker in the hardware pack.
- 4 Peel and Affix this sticker to a visible area in the blower.  
This sticker provides official certification to your local inspector that this hoods maximum airflow has been reduced to > 300 CFM.

Maintenance

**Cleaning**

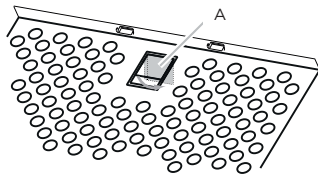
Do not spray cleaners directly to the control while cleaning the Hood. The cooker hood should be cleaned regularly (at least with the same frequency with which you carry out maintenance of the fat filters) internally and externally. Clean using the cloth dampened with neutral liquid detergent. Do not use abrasive products. **DO NOT USE ALCOHOL!**

**⚠ WARNING:**

Failure to carry out the basic cleaning recommendations of the cooker hood and replacement of the filters may cause fire risks. Therefore, we recommend observing these instructions. The manufacturer declines all responsibility for any damage to the motor or any fire damage linked to inappropriate maintenance or failure to observe the above safety recommendations.

**Grease filter**

Traps cooking grease particles. This must be cleaned once a month using non aggressive detergents, either by hand or in the dishwasher, which must be set to a low temperature and a short cycle. When washed in a dishwasher, the grease filter may discolour slightly, but this does not affect its filtering capacity. To remove the grease filter, pull the spring release handle.



A. Spring release handle

**Replacing a LED lamp**

The LED lights are replaceable by a service technician only. See "Who to contact" section in the warranty for service contact information.

**Charcoal filter**

**⚠ WARNING**

To reduce the risk of fire and shock use only the carbon filter kit **KIT02667**.

If the model is not vented to the outside, the air will be recirculated through disposable charcoal filters that help remove smoke and odors.

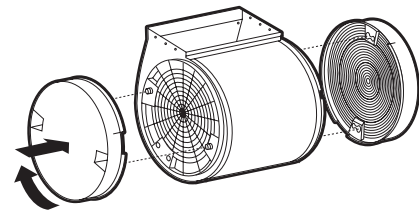
- 1 Cover the grill that protects the suction motor with the carbon filter so that the slots on the filter correspond to the pins on the sides of the motor protection grill.
- 2 Turn the carbon filter clockwise to block them (bayonet fixing).

**NOTE:** Remove the wiring to be able of placing the charcoal filter and then replace it.

**NOTE:** The charcoal filters cannot be cleaned. It should be replaced every 4-6 months (depending on hood usage).

**NOTE:** DO NOT rinse, or put charcoal filters in an automatic dishwasher.

**NOTE:** Charcoal filters are not included with the hood. They must be ordered from your supplier. Order the needed kit specifying your hood model and width size.



# ELICA North America

## TWO-YEAR LIMITED WARRANTY

### TO OBTAIN SERVICE UNDER WARRANTY

Owner must present proof of original purchase date. Please keep a copy of your dated proof of purchase (sales slip) in order to obtain service under warranty.

### PARTS AND SERVICE WARRANTY

For the period of two (2) years from the date of the original purchase, Elica will provide free of charge, non consumable parts or components that failed due to manufacturing defects. During these two (2) years limited warranty, Elica will also provide free of charge, all labor and in-home service to replace any defective parts.

### WHAT IS NOT COVERED

- Damage or failure to the product caused by accident or act of God, such as, flood, fire or earthquake.
- Damage or failure caused by modification of the product or use of non-genuine parts.
- Damage or failure to the product caused during delivery, handling or installation.
- Damage or failure to the product caused by operator abuse.
- Damage or failure to the product caused by dwelling fuse replacement or resetting of circuit breakers.
- Damage or failure caused by use of product in a commercial application.
- Service trips to dwelling to provide use or installation guidance.
- Light bulbs, metal or carbon filters and any other consumable part.
- Normal wear of finish.
- Wear to finish due to operator abuse, improper maintenance, use of corrosive or abrasive cleaning products/pads and oven cleaner products.

### WHO IS COVERED

This warranty is extended to the original purchaser for products purchased for ordinary residential use in North America (Including the United States, Guam, Puerto Rico, US Virgin Islands & Canada).

This warranty is non-transferable and applies only to the original purchaser and does not extend to subsequent owners of the product. This warranty is made expressly in lieu of all other warranties, expressed or implied, including, but not limited to any implied warranty of merchantability or fitness for a particular purpose and all other obligations on the part of Elica North America, provided, however, that if the disclaimer of implied warranties is ineffective under applicable law, the duration of any implied warranty arising by operation of law shall be limited to two (2) years from the date of original purchase at retail or such longer period as may be required by applicable law.

This warranty does not cover any special, incidental and/or consequential damages, nor loss of profits, suffered by the original purchaser, its customers and/or the users of the Products.

### WHO TO CONTACT

To obtain service under warranty or for any service related question:

- Elica North America Service, call at 1 888 732 8018
- For Eastern Canada, call AGI Services at 1 888 651 2534 Ask for the service department
- [elica@servicepower.com](mailto:elica@servicepower.com)