

# Nikolatesla flux

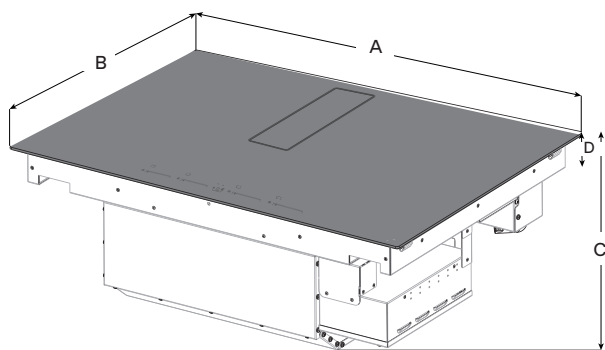
## Downdraft induction cooktop

Specification sheet



Learn more

### MEASUREMENTS

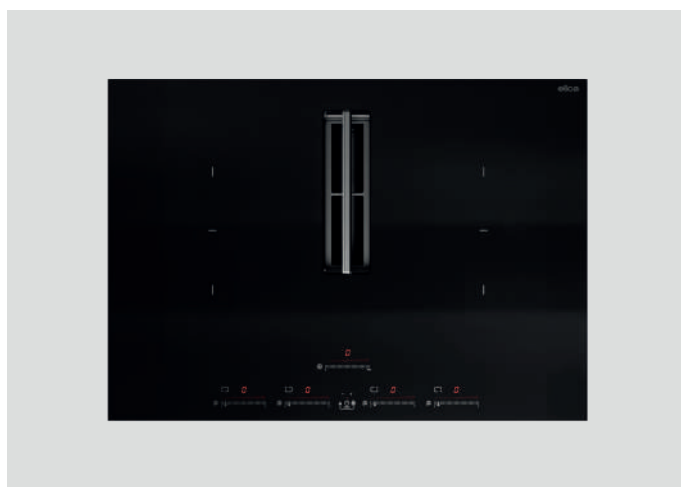


|   | ENF430BL                                    | ENF436BL       |
|---|---|----------------|
| A | 30" (76 cm)                                 | 36" (91.54 cm) |
| B | 22 <sup>9</sup> / <sub>16</sub> " (56.4 cm) |                |
| C | 10 <sup>3</sup> / <sub>16</sub> " (25.9 cm) |                |
| D | 2 <sup>9</sup> / <sub>16</sub> " (6.4 cm)   |                |

### DESCRIPTION

Discover the future of efficient and safe cooking with Nikolatesla FLUX.

Induction technology that redefines your cooking experience. With an integrated aspiration system equipped with a powerful central fan of 600 CFM, it can reach very high performance levels in terms of air capture, noise level, and energy efficiency. Perfect to compliment any kitchen design, Nikolatesla Flux is available in 30" & 36" widths.



### FEATURES

- Timer
- Temperature manager
- Child lock
- Long life filter ++
- Pot self-detection
- Bridge zones
- Easy to maintain
- Total integration
- Stop and go
- Airmatic
- Delay switch off
- Touch controls
- CFM reduction system



### GENERAL PROPERTIES

|                                    |   |                              |
|------------------------------------|---|------------------------------|
| Width                              | 30"   | 36"                          |
| Model                              | ENF430BL  | ENF436BL                     |
| Dimensions                         | 30"W x 22 9/16"D x 10 3/16"H                        | 36"W x 22 9/16"D x 10 3/16"H |
| Electrical                         | 220V-60Hz, 7.7Kw, 32A                               |                              |
| Finish                             | Tempered, ultra deep black ceramic glass            |                              |
| Controls                           | Electronic glass touch & slide w/red illumination   |                              |
| Installation type                  | Ducted out or recirculating w/kit                   |                              |
| Ventilation <sup>1</sup>           | 4 speed (3 speed + boost)                           |                              |
| Blower Type (Internal)             | 600 CFM   |                              |
| Noise (Min-max sones) <sup>1</sup> | 1.5-6.8 Sones                                       |                              |
| Grease filter                      | 4 layer, black anodized aluminum mesh grease filter |                              |
| Cooking zones                      | 4 Cooking Zones (3.7 kW) - 7 1/2" x 7.9"            |                              |
| Heating type                       | Induction   |                              |
| Heating level                      | 10 levels (9 + boost, see details in chart below)   |                              |

### KITS

|               |                                       |
|---------------|---------------------------------------|
| Recirculating | KIT0192385 (2 ceramic carbon filters) |
|---------------|---------------------------------------|

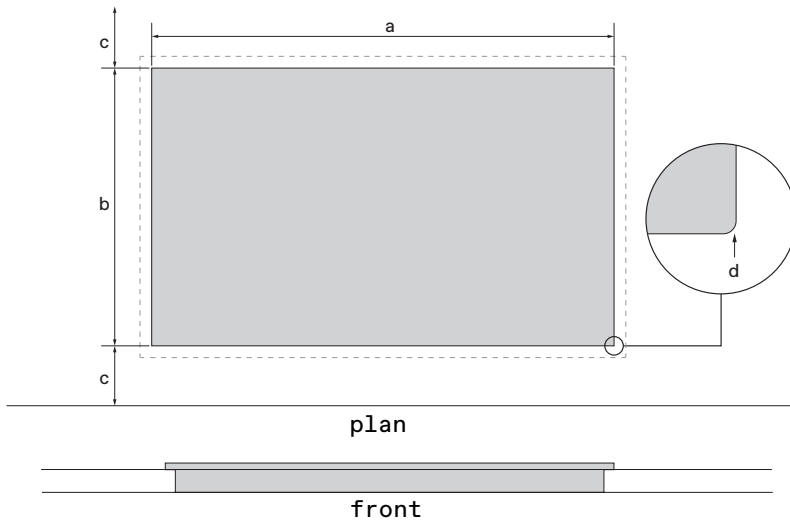
**WARRANTY:<sup>2</sup> Two (2) Years Parts & In-Home Labor. Earn an additional One (1) Year of Parts & In-Home Labor by registering on elica.com**

| Cooking level | Power (W) |
|---------------|-----------|
| Level 1       | 63 W      |
| Level 2       | 105 W     |
| Level 3       | 168 W     |
| Level 4       | 252 W     |
| Level 5       | 378 W     |
| Level 6       | 588 W     |
| Level 7       | 882 W     |
| Level 8       | 1344 W    |
| Level 9       | 2100 W    |
| Booster       | 3700 W    |

### Glass specifications

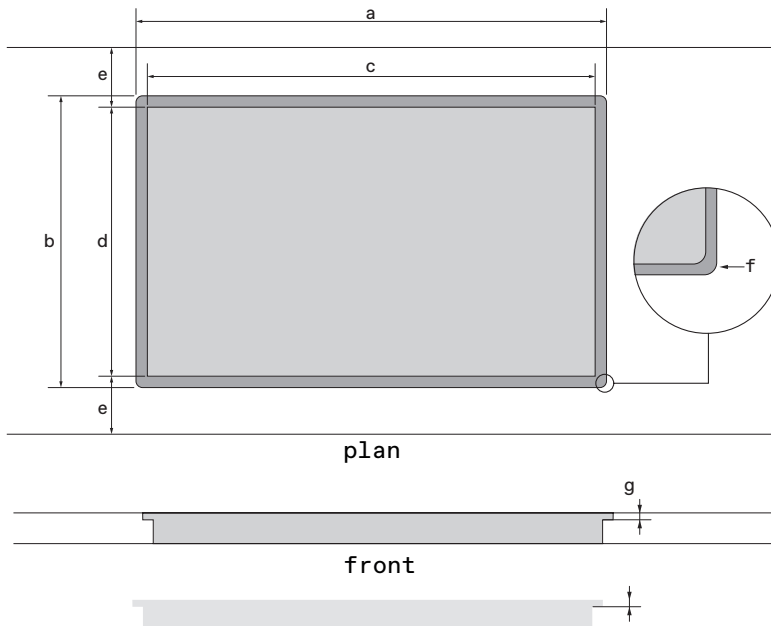
|                       |   |
|-----------------------|---|
| Material              | Glass ceramic cooking panel                     |
| Appearance            | Deep-black color                                |
| Thickness             | 4 mm  |
| Color in reflexion    | Black   |
| Color in transmission | Amber   |
| Surface structure     | Though crystal smooth scratch & stain-resistant |

## SELF RIMMING INSTALLATION



|   | ENF430BL           | ENF436BL           |
|---|--------------------|--------------------|
| a | 28 3/4" (73.03 cm) | 34 9/16" (87.7 cm) |
| b | 21 1/8" (53.6 cm)  |                    |
| c | 2" (5 cm) min      |                    |
| d | 1 15/16" (5 cm)    |                    |

## FLUSH MOUNTED INSTALLATION



|   | ENF430BL            | ENF436BL           |
|---|---------------------|--------------------|
| a | 30 7/16" (77.35 cm) | 36 1/8" (91.8 cm)  |
| b | 22" (56.76 cm)      |                    |
| c | 28 3/4" (73.03 cm)  | 34 9/16" (87.7 cm) |
| d | 21 1/8" (53.65 cm)  |                    |
| e | 1 15/16" (5 cm) min |                    |
| f | 4 x Ø7              |                    |
| g | 1/4" (0.63 cm)      |                    |



The product images shown are for illustration purposes only and may not be an exact representation of the product.

<sup>1</sup> CFM and Noise data indicate the performance of the hood blower tested according to international standards. For AHAM Certified Ratings, established in accordance with California Title 24 Standardized test procedure, please refer to AHAM Certified Product Directory. Electric Ratings are declared according to UL.

<sup>2</sup> For valid warranty extension, register within 3 months from purchase. For USA & Canada Users Only.