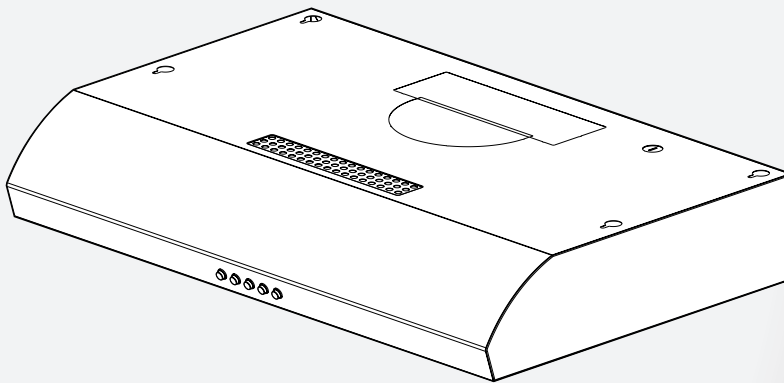


Use, Care, and Installation Guide

Guide
d'utilisation,
d'entretien et
d'installation

Guía de
instalación, uso y
mantenimiento



READ AND SAVE THESE
INSTRUCTIONS

LISEZ CES
INSTRUCTIONS ET
CONSERVEZ-LES

LEA Y CONSERVE
ESTAS INSTRUCCIONES

Models: | ENM230S1
| ENM236S1

Contents

Important safety notice..... 3

 Electrical & installation requirements 4

 Before installing the hood 4

Dimensions and clearances..... 4

List of materials.....5

 Parts supplied5

 Parts not supplied5

Ducting options and examples..... 6

Installation 7

 Electrical connection..... 8

 Complete the installation..... 9

Description of the hood.....9

Control.....9

Maintenance10

Warranty 11

**APPROVED FOR RESIDENTIAL APPLIANCES
FOR RESIDENTIAL USE ONLY
READ AND SAVE THESE INSTRUCTIONS**

**PLEASE READ ENTIRE INSTRUCTIONS BEFORE PROCEEDING.
INSTALLATION MUST COMPLY WITH ALL LOCAL CODES.**

IMPORTANT: Save these Instructions for the Local Electrical Inspector’s use.

INSTALLER: Please leave these Instructions with this unit for the owner.

OWNER: Please retain these instructions for future reference.

Safety Warning: Turn off power circuit at service panel and lock out panel, before wiring this appliance.

Requirement: 120 V AC, 60 Hz. 15 or 20 A Branch Circuit.

⚠ IMPORTANT SAFETY NOTICE

⚠ CAUTION

FOR GENERAL VENTILATING USE ONLY. DO NOT USE TO EXHAUST HAZARDOUS OR EXPLOSIVE MATERIALS OR VAPOURS.

⚠ WARNING

TO REDUCE THE RISK OF FIRE, ELECTRIC SHOCK, OR INJURY TO PERSONS, OBSERVE THE FOLLOWING:

- A. Use this unit only in the manner intended by the manufacturer. If you have questions, contact the manufacturer.
- B. Before servicing or cleaning the unit, switch power off at service panel and lock service panel disconnecting means to prevent power from being switched on accidentally.
When the service disconnecting means cannot be locked, securely fasten a prominent warning device, such as a tag, to the service panel.
- C. Installation work and electrical wiring must be done by qualified person(s) in accordance with all applicable codes & standards, including fire-rated construction.
- D. Sufficient air is needed for proper combustion and exhausting of gases through the flue (Chimney) of fuel burning equipment to prevent back-drafting.
Follow the heating equipment manufacturers guideline and safety standards such as those published by the national fire protection association (NFPA), the american society for heating, refrigeration and air conditioning engineers (ASHRAE), and the local code authorities.
- E. When cutting or drilling into wall or ceiling, do not damage electrical wiring and other hidden utilities.
- F. Ducted systems must always be vented to the outdoors.

⚠ CAUTION

To reduce risk of fire and to properly exhaust air, be sure to duct air outside - do not vent exhaust air into spaces within walls, ceilings, attics, crawl spaces, or garages.

⚠ WARNING

TO REDUCE THE RISK OF FIRE, USE ONLY METAL DUCT WORK.

Install this hood in accordance with all requirements specified.

⚠ WARNING

To reduce the risk of fire or electric shock, do not use this hood with any external solid state speed control device.

⚠ WARNING

TO REDUCE THE RISK OF A RANGE TOP GREASE FIRE.

- a) Never leave surface units unattended at high settings. Boilovers cause smoking and greasy spillovers that may ignite. Heat oils slowly on low or medium settings.
- b) Always turn hood ON when cooking at high heat or when flambeing food (I.e. Crepes Suzette, Cherries Jubilee, Peppercorn Beef Flambe').
- c) Clean ventilating fans frequently. Grease should not be allowed to accumulate on fan or filter.
- d) Use proper pan size. Always use cookware appropriate for the size of the surface element.

⚠ WARNING

TO REDUCE THE RISK OF INJURY TO PERSONS, IN THE EVENT OF A RANGE TOP GREASE FIRE, OBSERVE THE FOLLOWING:

- a) SMOTHER FLAMES with a close-fitting lid, cookie sheet, or other metal tray, then turn off the gas burner or the electric element. BE CAREFUL TO PREVENT BURNS. If the flames do not go out immediately, EVACUATE AND CALL THE FIRE DEPARTMENT.
- b) NEVER PICK UP A FLAMING PAN - you may be burned.
- c) DO NOT USE WATER, including wet dishcloths or towels - a violent steam explosion will result.
- d) Use an extinguisher ONLY if:
 - 1) You know you have a class ABC extinguisher, and you already know how to operate it.
 - 2) The fire is small and contained in the area where it started.
 - 3) The fire department is being called.
 - 4) You can fight the fire with your back to an exit.
- e) Ducted fans must always be vented to the outdoor.

^aBased on "Kitchen Fire Safety Tips" published by NFPA.

ELECTRICAL & INSTALLATION REQUIREMENTS

IMPORTANT

Observe all governing codes and ordinances.

It is the customer's responsibility:

- To contact a qualified electrical installer.
- To assure that the electrical installation is adequate and in conformance with National Electrical Code, ANSI/NFPA 70 — latest edition*, or CSA Standards C22.1-94, Canadian Electrical Code, Part 1 and C22.2 No.0-M91-latest edition** and all local codes and ordinances.
- If codes permit and a separate ground wire is used, it is recommended that a qualified electrician determine that the ground path is adequate.
- Do not ground to a gas pipe.
- Check with a qualified electrician if you are not sure range hood is properly grounded.
- Do not have a fuse in the neutral or ground circuit.

IMPORTANT

- Save Installation Instructions for electrical inspector's use.
- The range hood must be connected with copper wire only.
- The range hood should be connected directly to the fused disconnect (Or circuit breaker) box through metal electrical conduit.
- Wire sizes must conform to the requirements of the National Electrical Code ANSI/NFPA 70 — latest edition*, or CSA Standards C22.1-94, Canadian Electrical Code Part 1 and C22.2 No. 0-M91 - latest edition** and all local codes and ordinances.
- A U.L.- or C.S.A.-listed conduit connector must be provided at each end of the power supply conduit (at the range hood and at the junction box).

Copies of the standards listed may be obtained from:

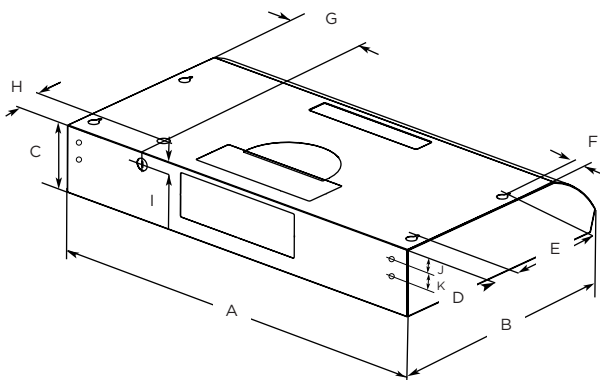
* National Fire Protection Association Batterymarch Park Quincy, Massachusetts 02269

** CSA International 8501 East Pleasant Valley Road Cleveland, Ohio 44131-5575

BEFORE INSTALLING THE HOOD

- 1 For the most efficient air flow exhaust, use a straight run or as few elbows as possible.
CAUTION: Vent unit to outside of building, only.
- 2 At least two people are necessary for installation.
- 3 Fittings material is provided to secure the hood to most types of walls/ceilings, consult a Qualified Installer, check if they perfectly fit with your cabinet/wall.
- 4 Do not use flex ducting.
- 5 COLD WEATHER installations should have an additional backdraft damper installed to minimize backward cold air flow and a nonmetallic thermal break to minimize conduction of outside temperatures as part of the ductwork. The damper should be on the cold air side of the thermal break.
The break should be as close as possible to where the ducting enters the heated portion of the house.
- 6 Make up air: Local building codes may require the use of Make-Up Air Systems when using Ducted Ventilation Systems greater than specified CFM of air movement. The specified CFM varies from locale to locale. Consult your HVAC professional for specific requirements in your area.

DIMENSIONS AND CLEARANCES



	Models	
	ENM230S1	ENM236S1
A	30" (76.2 cm)	36" (91.4 cm)
B	18 $\frac{1}{2}$ " (47.3 cm)	
C	4 $\frac{5}{16}$ " (12.5 cm)	
D	1 $\frac{1}{2}$ " (3.8 cm)	
E	9" (22.9 cm)	
F	1" (2.5 cm)	
G	6 $\frac{9}{16}$ " (16.7 cm)	
H	1 $\frac{1}{16}$ " (5 cm)	
I	$\frac{7}{8}$ " (2.2 cm)	
J	1 $\frac{1}{16}$ " (2.6 cm)	
K	1 $\frac{1}{16}$ " (3.6 cm)	

LIST OF MATERIALS

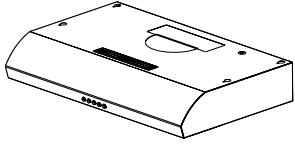


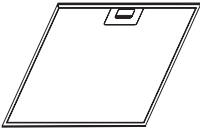

Removing the packaging.

⚠ CAUTION

Remove carton carefully, Wear gloves to protect against sharp edges.

⚠ WARNING

Remove the protective film covering the product before putting into operation.

Supplied Part	Pieces	Supplied Part	Pieces
 <p>Hood assembly and LED lamps already installed</p>	1	 <p>Rectangular duct 3 1/4" x 10" (8.3 x 25.4 cm) with back draft damper</p>	1
 <p>4.5x13 mm</p>	4	 <p>Grease filter</p>	1
 <p>3.5x6.5 mm</p>	2		

Parts no supplied

Tools/Materials required

- Drill
- 1/4" (3.0 cm) drill bit
- 3/8" (3.0 mm) drill bit for pilot holes
- Pencil
- Wire stripper or utility knife
- Tape measure or ruler
- Caulking gun and weatherproof caulking compound
- Saber or keyhole saw
- Metal snips
- Screwdrivers:
 - Phillips
 - Flat-blade

Optional accessories and consumable parts

KIT	# Part
Recirculating Kit	KIT0140997
7" Round Kit	KIT02722
7" Round Back Draft Damper Kit	KIT02723

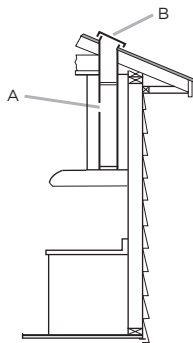
Ducting Options

Closely follow the instructions set out in this manual.

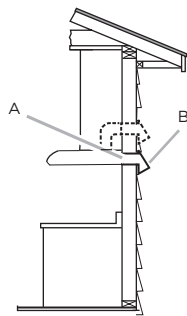
All responsibility, for any eventual inconveniences, damages or fires caused by not complying with the instructions in this manual, is declined.

Ducting version

- a) 3/4" x 10" (8.3 x 25.4 cm) rectangular vent through the roof/wall (purchased separately).
- b) Roof/wall cap (purchased separately)



Roof Venting

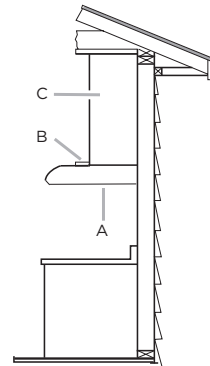


Wall Venting

Ductless (Recirculating)

In cases where it should not be possible to discharge cooking fumes and vapour to the outside, purchase the Ductless Recirculating Kit. For ductless (Recirculating) version only.

- a) Charcoal filter
- b) Recirculation cover plate
- c) Cabinet



Preparation

Do not cut a joist or stud unless absolutely necessary. If a joist or stud must be cut, then a supporting frame must be constructed.

Fittings material is provided to secure the hood to most types of walls/ceilings.

However, a qualified technician must verify suitability of the materials in accordance with the type of wall/ceiling.

Before making cutouts, make sure there is proper clearance within the ceiling or wall for exhaust vent.

Recommended installation height:

Hood installation height above cooktop is the users preference. The lower the hood is above the cooktop, the more efficient the capturing of cooking odors, grease and smoke.

⚠ CAUTION

FOR GAS RANGES INSTALLATION: MOUNT THIS HOOD SO THAT THE BOTTOM IS NOT LESS THAN 27" (68.6 CM).
FOR ELECTRIC RANGES INSTALLATION: MOUNT THIS HOOD SO THAT THE BOTTOM IS NOT LESS THAN 24" (61 CM) AND NOT MORE THAT 30" (76.2 CM) ABOVE THE COOKING SURFACE.

Check your ceiling height and the hood height maximum before you select your hood.

Prepare Location

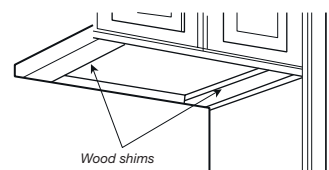
NOTE: It is recommended that the vent system be installed before hood is installed. Before making cutouts, make sure there is proper clearance within the ceiling or wall for exhaust vent.

- 1 Disconnect power.
- 2 Depending on your model, determine which venting method to use: roof, wall or recirculating.
- 3 Select a flat surface for assembling the range hood. Place covering over that surface. Lift the range hood and set it upside down onto covered surface.

For recessed bottom cabinet only

- 1 If the cabinets have front, side or back trim, make 2 wood shims the width of the trim and attach them to the cabinet bottom recess on both sides. See the diagrams for marking locations.

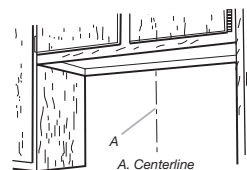
IMPORTANT: Align the wood filler strips so that they completely cover the recessed bottom cabinet.



Determine Wiring Hole Location

Cut only one 1/4" (3.2 cm) diameter wiring access hole.

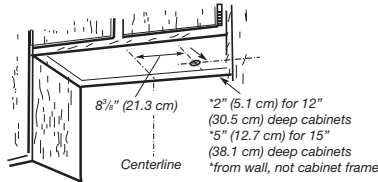
- 1 Determine and clearly mark a vertical centerline on the wall and cabinet in the area the vent opening will be made.



Installation

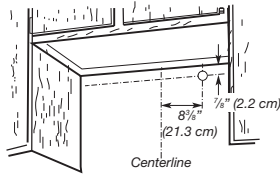
To wire through top:

- Mark a line $8\frac{3}{8}$ " (21.3 cm) from the right of the centerline on the underside of the cabinet. For 12" (30.5 cm) deep cabinets, mark the point on this line that is 2" (5.1 cm) from the back wall. For 15" (38.1 cm) deep cabinets, mark the point on this line that is 5" (12.7 cm) from the back wall. Drill a $1\frac{1}{4}$ " (3.2 cm) diameter hole through the cabinet at this point.



To wire through wall:

- Mark a line $8\frac{3}{8}$ " (21.3 cm) from the right of the centerline on the underside of the wall. Mark the point on this line that is $\frac{7}{8}$ " (2.2 cm) from the underside of the cabinet. Drill a $1\frac{1}{4}$ " (3.2 cm) diameter hole through the rear wall at this point.

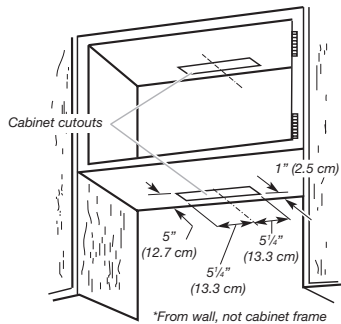


Cut Openings for $3\frac{1}{4}$ " x 10" (8.3 cm x 25.4 cm) Rectangular Vent System

Roof Venting

To make a $4\frac{1}{4}$ " x $10\frac{1}{2}$ " (10.8 cm x 26.7 cm) rectangular cutout on the underside of cabinet top and bottom:

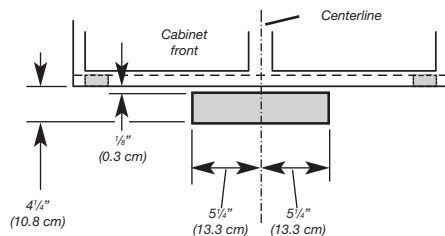
- Mark lines $\frac{1}{2}$ " (1.3 cm) and $4\frac{3}{4}$ " (12.1 cm) from the back wall on the centerline of the underside of cabinet.
- Mark lines $5\frac{1}{4}$ " (13.3 cm) to the right and left of the centerline on the underside of cabinet.
- Use saber or keyhole saw to cut a rectangular opening for vent.
- Repeat steps 1-3 for the underside of the top of the cabinet.



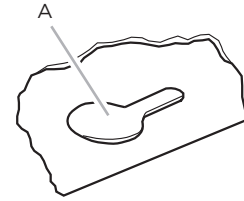
Wall Venting

To make a $4\frac{1}{4}$ " x $10\frac{1}{2}$ " (10.8 cm x 26.7 cm) rectangle in the wall:

- Make 2 lines by measuring $\frac{1}{8}$ " (0.3 cm) and $4\frac{1}{16}$ " (10.3 cm) down from underside of cabinet and mark on the centerline on the back wall.
- Mark lines $5\frac{1}{4}$ " (13.3 cm) to the right and left of the centerline on the wall.
- Use saber or keyhole saw to cut a rectangular opening in the wall for the vent.



- Lift the range hood up under cabinet and determine final location by centering beneath cabinet. Mark on the underside of cabinet the location of the 4 keyhole mounting slots on the range hood. Set range hood aside on a covered surface.



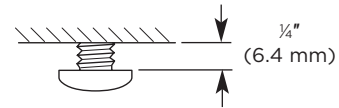
A. Keyhole slot

- Use $\frac{1}{8}$ " (3 mm) drill bit and drill 4 pilot holes as shown.

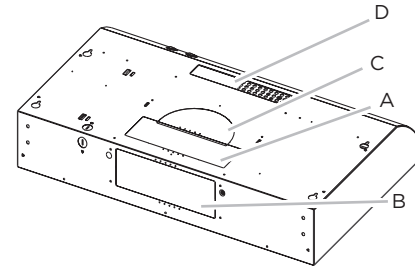


A. Drill pilot hole

- Install the 4 - 4.5 mm x 13 mm mounting screws in pilot holes. Leave about $\frac{1}{4}$ " (6.4 mm) space between screw heads and cabinet to slide range hood into place.



- Remove transition knockouts depending on the selected venting method.



A. Top rectangular vent knockout
B. Rear rectangular vent knockout
C. Round vent knockout
D. Recirculation cover plate

Top venting outlet (exit through the wall or the roof):

For rectangular vent system installations, remove the top rectangular knockout.

NOTE: For round vent system installations, remove the top round knockout.

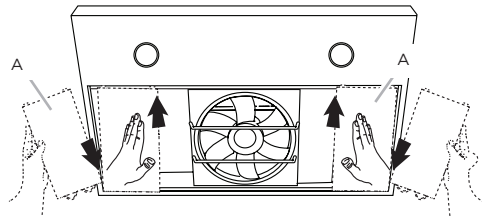
Rear venting outlet (exit through the wall):

Remove the rear rectangular knockout.

Non-ducted (recirculating) installations - No vent attachments.

Remove the two screws from the recirculation cover plate and set it aside. See the Recirculating installations section.

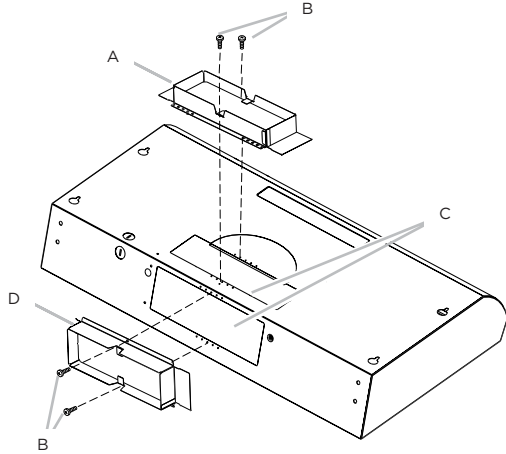
- Remove metal grease filters. See the "Range Hood Care" section. First remove the bracket and then the lateral panels. **NOTE:** You will have $3\frac{1}{4}$ " x 10" (8.3 x 25.4 cm) rectangular vent transition inside your range hood. Remove the $3\frac{1}{4}$ " x 10" (8.3 x 25.4 cm) rectangular vent transition inside your range hood.



A. Lateral panels

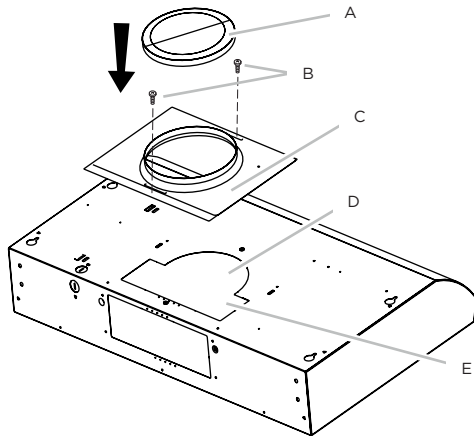
- Install 3/4 x 10" (8.3 x 25.4 cm) vent connector, depending on the vent system installation.

NOTE: The 3/4 x 10" (8.3 x 25.4 cm) rectangular vent connector can be installed up to 1" (2.5 cm) on either side of the hood center to accommodate off center ductwork.



A. Vertical connector
B. 6.5 x 9.5 mm screws
C. Vent knockouts
D. Horizontal connector

- For round installation: Install 7" (17.8 cm) round vent mounting plate and damper (purchase as an accessory).



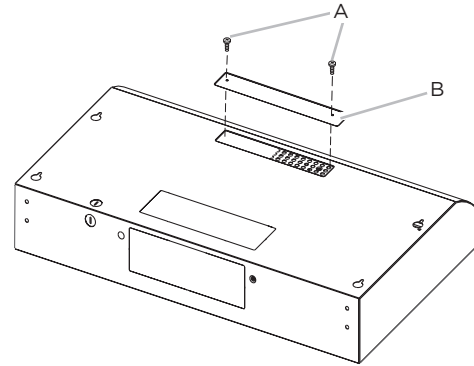
A. 7" (17.8 cm) round damper
B. Sheet metal screws
C. 7" (17.8 cm) round vent mounting plate
D. Round vent knockout
E. Rectangular vent knockout

- If a vent damper is installed with a wall cap with damper, check to make sure they do not interfere with each other. Remove the vent connector damper flap if they interfere.

Non-ducted (recirculating) installations - No vent attachments.

It requires the removal of the recirculation cover plate.

Remove the two screws from the recirculation cover plate and remove.



A. Screws (2)
B. Recirculation cover plate

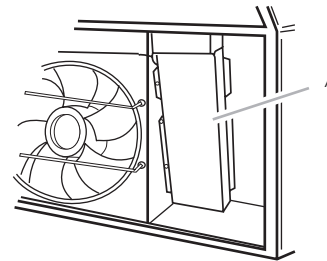
Electrical Connection

⚠ WARNING
Electrical Shock Hazard

⚠ WARNING
Turn off power circuit at the service panel before wiring this unit. 120 VAC, 15 or 20 Amp circuit required.

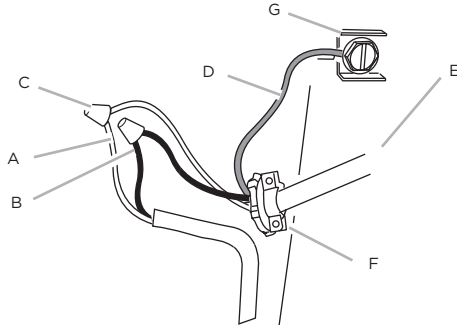
ELECTRICAL GROUNDING INSTRUCTIONS
THIS APPLIANCE IS FITTED WITH AN ELECTRICAL JUNCTION BOX WITH 3 WIRES, ONE OF WHICH (GREEN/YELLOW) SERVES TO GROUND THE APPLIANCE. TO PROTECT YOU AGAINST ELECTRIC SHOCK, THE GREEN AND YELLOW WIRE MUST BE CONNECTED TO THE GROUNDING WIRE IN YOUR HOME ELECTRICAL SYSTEM, AND IT MUST UNDER NO CIRCUMSTANCES BE CUT OR REMOVED.
Failure to do so can result in death or electrical shock.

- Remove the knockout and the Junction box cover and install the conduit connector (cULus listed) in junction box.



A. Terminal box cover

- Run 3 wires; black, white and green ,according to the National Electrical Code and local codes and ordinances, in ½" conduit from service panel to junction box.

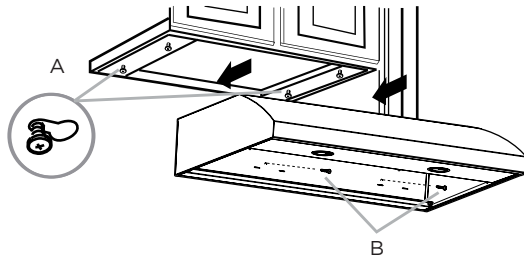


- | | |
|--------------------------------|--|
| A. White wires | E. Home power supply cable or power cord accessory kit |
| B. Black wires | F. UL listed or CSA approved ½" strain relief |
| C. UL listed wire connector | G. Green ground screw |
| D. Green (or bare) ground wire | |

- Connect black wire from service panel to black or red in junction box, white to white and green to green-yellow.
- Close and secure junction box cover.

Complete Installation

- Lift the hood into final position. Feed enough electrical wire through the ½" UL listed or CSA approved strain relief to make connections in the terminal box. Tighten the strain relief screws.
- Position the range hood so that the large end of the keyhole slots are over the mounting screws. Then push the hood toward the wall so that the screws are in the neck of the slots.



- A. Mounting screws (4)
B. Security screws

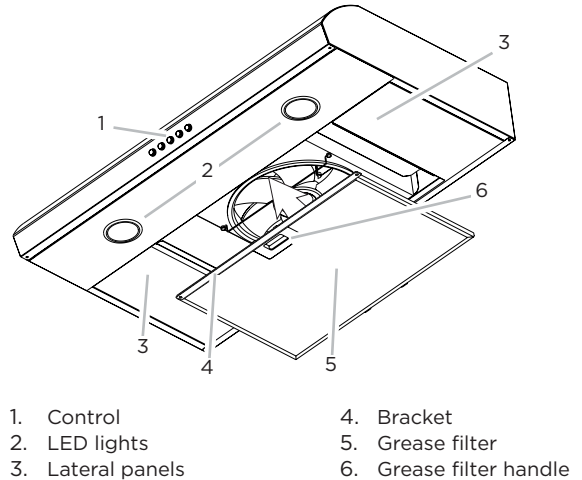
- Tighten the mounting screws, making sure the screws are in the narrow neck of slots.
- Connect ventwork to hood. Seal joints with clamps to make secure and airtight.
- Check that back draft dampers work properly.
- Replace filters. See the "Range Hood Care". Check operation of the hood.

If range hood does not operate:

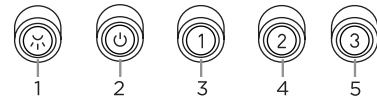
- Check that the circuit breaker is not tripped or the house fuse blown.
- Disconnect power supply. Check that wiring is correct.

To get the most efficient use from your new range hood, read the "Use and Care Information" section. Keep your Installation Instructions and Use and Care Guide close to range hood for easy reference.

Description of the Hood



Controls



1. Light On/Off button
2. Blower On/Off button
3. Blower speed minimum button
4. Blower speed medium button
5. Blower speed maximum button

NOTE: Control buttons will light up when range hood is On.

Operating the light

The Light On/Off button (1) controls both lights. Press once for On and again for Off.

Operating the blower

The Blower On/Off button (2) turns the blower On or Off. The Blower Speed buttons (3, 4 and 5) set the desired speed and control the sound level for quiet operation. The speed can be changed anytime during fan operation by pressing the desired blower speed button.

- 1 To turn the blower On, press the Blower On/Off button (2) and the desired speed button (3, 4 or 5).
- 2 To turn the blower Off, press the Blower On/Off button (2).

Any of the 3 blower speed buttons can be in the On position at the same time. The blower will operate at the highest speed button that is pushed in. For lower blower speeds, the higher speed buttons must not be pushed in.

Range Hood Care

Cleaning

Do not spray cleaners directly to the control while cleaning the Hood. The cooker hood should be cleaned regularly (at least with the same frequency with which you carry out maintenance of the fat filters) internally and externally. Clean using the cloth dampened with neutral liquid detergent. Do not use abrasive products.

DO NOT USE ALCOHOL!

⚠ WARNING:

Failure to carry out the basic cleaning recommendations of the cooker hood and replacement of the filters may cause fire risks. Therefore, we recommend observing these instructions.

The manufacturer declines all responsibility for any damage to the motor or any fire damage linked to inappropriate maintenance or failure to observe the above safety recommendations.

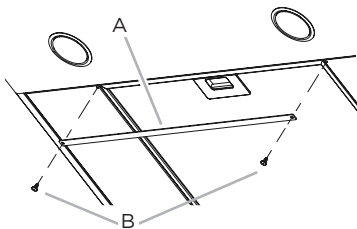
Grease filter

Traps cooking grease particles.

This must be cleaned once a month using non aggressive detergents, either by hand or in the dishwasher, which must be set to a low temperature and a short cycle. When washed in a dishwasher, the grease filter may discolour slightly, but this does not affect its filtering capacity.

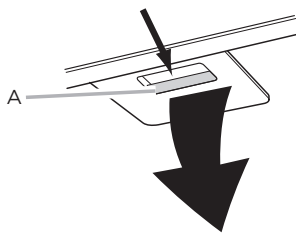
To remove the grease filter

- 1 Remove the grease filter bracket.



- A. Bracket
- B. Grease filter bracket screws (2)

- 2 Pull the spring release handle to remove the grease filter.



- 3 Reinstall the filter by placing the back edge in the channel at rear of hood.
- 4 Replace the bracket using the screws that were previously removed in step 1.

Replacing a LED Lamp

The LED lights are replaceable by a service technician only. See the service contact information in this page below.

Charcoal filter

If the model is not vented to the outside, the air will be recirculated through disposable charcoal filter that help remove smoke and odors.

The charcoal filter cannot be cleaned.

It must be replaced.

The charcoal filter is clipped inside of the metal grease filter

The charcoal filter should be replaced every 4-6 months (depending on hood usage).

NOTE: DO NOT rinse, or put charcoal filter in an automatic dishwasher.

NOTE: Charcoal filter is not included with the hood.

It must be ordered from your supplier.

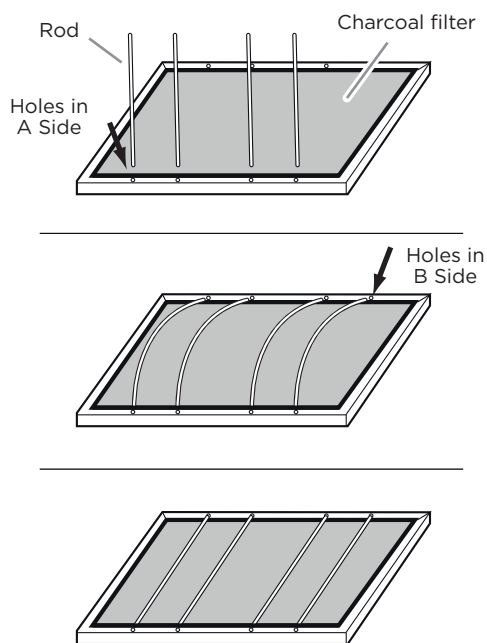
Order the needed kit specifying your hood model and width size.

Charcoal filter placement (Recirculating accessories)

Fit the charcoal filter mattress on the upper side of the grease filter.

Use provided rods to fix it in place.

NOTE: Place each rod into the hole in A side and then into the next hole in B side of the charcoal filter as the image below.



ELICA North America

TWO-YEARS LIMITED WARRANTY

TO OBTAIN SERVICE UNDER WARRANTY

Owner must present proof of original purchase date. Please keep a copy of your dated proof of purchase (sales slip) in order to obtain service under warranty.

PARTS AND SERVICE WARRANTY

For the period of two (2) years from the date of the original purchase, Elica will provide free of charge, non consumable parts or components that failed due to manufacturing defects. During these two (2) years limited warranty, Elica will also provide free of charge, all labor and in-home service to replace any defective parts.

WHAT IS NOT COVERED

- Damage or failure to the product caused by accident or act of God, such as, flood, fire or earthquake.
- Damage or failure caused by modification of the product or use of non-genuine parts.
- Damage or failure to the product caused during delivery, handling or installation.
- Damage or failure to the product caused by operator abuse.
- Damage or failure to the product caused by dwelling fuse replacement or resetting of circuit breakers.
- Damage or failure caused by use of product in a commercial application.
- Service trips to dwelling to provide use or installation guidance.
- Light bulbs, metal or carbon filters and any other consumable part.
- Normal wear of finish.
- Wear to finish due to operator abuse, improper maintenance, use of corrosive or abrasive cleaning products/pads and oven cleaner products.

WHO IS COVERED

This warranty is extended to the original purchaser for products purchased for ordinary residential use in North America (Including the United States, Guam, Puerto Rico, US Virgin Islands & Canada).

This warranty is non-transferable and applies only to the original purchaser and does not extend to subsequent owners of the product. This warranty is made expressly in lieu of all other warranties, expressed or implied, including, but not limited to any implied warranty of merchantability or fitness for a particular purpose and all other obligations on the part of Elica North America, provided, however, that if the disclaimer of implied warranties is ineffective under applicable law, the duration of any implied warranty arising by operation of law shall be limited to two (2) years from the date of original purchase at retail or such longer period as may be required by applicable law.

This warranty does not cover any special, incidental and/or consequential damages, nor loss of profits, suffered by the original purchaser, its customers and/or the users of the Products.

WHO TO CONTACT

To obtain service under warranty or for any service related question:

- Elica North America Service, call at 1 888 732 8018
- For Eastern Canada, call AGI Services at 1 888 651 2534 Ask for the service department
- elica@servicepower.com