



ASPIRE

HESTAN

OUTDOOR REFRIGERATOR

Model: ERS24

Installation / Use & Care Manual

Message from Aspire by Hestan:

Outdoor cooking is a perfectionist's pursuit, and with your new investment, you've now taken the ultimate step forward. We sincerely welcome you to the Aspire by Hestan Family. We've engineered and built our products so that your guests will rave about your meal, but deep down, our customers know it could've been just a little more tender, juicier – a pinch more salt in the rub or a few seconds less on the flame. Yes, we've taken the time to know our Aspire by Hestan customer and we're excited to be on this journey with you. Aspire by Hestan was born from this same perfectionist passion. Our engineers experimented, innovated, tweaked and tinkered until they created the most powerful, versatile and reliable outdoor products available.

We pride ourselves on restless innovation, superior engineering and purpose-built designs, but also our in-depth understanding of our target consumer and the interests and needs of the ultimate end-users we serve and covet. For many consumers, cooking outdoors is much more than an act of food preparation. It's a lifestyle activity that encompasses culinary, leisure and social pursuits among others.

We are thankful and proud that you have chosen Aspire by Hestan, and we yearn to have you as a customer for life. We take your decision to choose Aspire by Hestan most seriously, and we promise to deliver the very best to you.

Welcome to Aspire by Hestan

IMPORTANT SAFEGUARDS

Read all instructions before using this appliance. Use this appliance only for its intended purpose as described in this instruction manual. Always exercise basic safety precautions, as described below. After reading the instruction manual, store it in an accessible place where the user(s) of this product can easily find it.

The purpose of these safety precautions is to ensure safe and correct use of the product to minimize risks that could cause serious damage and injury to you or others. The safety precautions are divided into WARNINGS and CAUTIONS. Cases where improper handling of the unit could lead to death or serious injury are listed under the WARNING heading. However, the cases listed under CAUTION could also lead to serious results. To ensure safety, adhere strictly to both types of safety precautions.

WARNING

1. RISK OF FIRE OR EXPLOSION - FLAMMABLE REFRIGERANT USED. Consult repair manual/owner's guide before attempting to service this product. All safety precautions must be followed. To be repaired by trained service personnel only. Do not damage the refrigerant circuit.
2. All repairs, disassembly and modifications should be performed only by qualified technicians. Attempting to perform these yourself could result in fire, malfunction or injury.
3. Do not use the appliance other than for its intended purpose.
4. Never splash water directly onto the product or wash it with water without unplugging, as a short circuit could result. In a rainy environment, a water-proof covering is recommended.
5. Never put flammable or volatile substances, into the unit as explosion and fire could result.
6. Do not store explosive substances such as aerosol cans with a flammable propellant in this appliance.
7. Do not damage, modify, excessively bend, strain, twist or bundle the power cord. Avoid hot, sharp, or aggressive surfaces. Also, placing heavy objects on the power cord or binding it could damage the cord, possibly resulting in electrical shock or fire.
8. Use a dedicated wall outlet. Do not use an extension cord or multiple-outlet adaptor as this could result in electrical shock, overheating and fire.
9. Never use flammable spray cans or leave flammable substances near the unit. Sparks from electrical switches could result in explosion or fire. If a combustible gas is present near the appliance, turn off the source of the gas, then open the windows and doors to allow the gas to dissipate. To avoid an explosion, do not pull the plug or switch off the unit.
10. The electrical socket used must have good grounding. The ground wire cannot be connected with a gas pipe, heating pipe, water pipe, telephone line or lightning rod. It cannot be replaced with the neutral wire of single-phase power. In addition to the ground wire, an electrical leakage circuit breaker is also required.
11. Use an electrician installed ground fault circuit interrupter (GFCI) electrical outlet. If no GFCI is installed, electrical shock could result.
12. Never climb onto the unit. The unit could tip over or fall and cause material damage or personal injury.
13. Disconnect the power cord plug from the wall outlet before moving the unit and make sure that the power cord is not damaged during transport. A damaged power cord could result in electrical shock and/or fire.
14. Never unplug the unit by pulling on the power cord. Always grip the plug firmly and pull straight out from the outlet. Pulling the cord could cause wire breakage, possibly resulting in overheating and fire.
15. Repair or replace any cord that is frayed or damaged. Do not use a cord that shows cracks or abrasions along its length.
16. Do not use electrical appliances inside the food storage compartments of the appliance, unless they are of the type recommended by the manufacturer.

IMPORTANT SAFEGUARDS *(continued)*

CAUTION

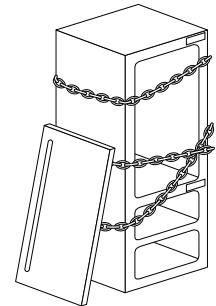
1. This unit must be properly installed in accordance with the installation instructions along with all local codes before it is used. See grounding instructions in the Installation section.
2. This model can either be built-in or free-standing. Built-in units vent at the bottom front and airflow at the front of this vent must be unimpeded.
3. Install the unit in a location where the floor is sturdy enough to support the load of the unit. If the floor is not sturdy enough or installation is incorrectly performed, the unit could tip over and cause personal injury. If the unit is placed on a stand, the front surface must be 3" [7.6 mm] or more back from the edge of the stand in order to avoid accidental tipping of the appliance during normal usage.
4. Never place heavy objects or items containing water on top of the unit. Objects could fall and cause injury and spilled water could cause the deterioration of the insulation of electrical components and result in electrical shock.
5. Disconnect the unit if it is behaving abnormally, and do not reconnect until the situation is corrected.
6. Pull out the plug before doing any maintenance on the unit to avoid electric shock.
7. Never pull out the power cord when hands are wet!
8. This unit is not intended for the storage of medicines or chemical reagents.
9. Keep packing materials away from children.
10. Condensate water from the evaporator drains into a hole in the floor of the storage compartment and is channeled into a drain pan located at the back of the unit on the compressor. Heat transferred from the compressor evaporates any water that has collected in the pan. Be sure the drain hole in the floor of the unit is clear and unobstructed.
11. During long absences, remove the unit's contents, unplug the unit, clean it and leave the door open slightly to avoid possible formation of condensation, mold or odors. Use a cover to protect the unit and prolong its lifespan.
12. Leave disassembly and disposal of the unit to qualified experts.

IMPORTANT CHILD SAFETY

DANGER

Risk of child entrapment. Before you throw away your old refrigerator:

- Take off the doors.
- Leave the shelves in place so that children may not easily climb inside.
- Do not let children play in, on, or around the refrigerator.
- Never allow children to operate, play with or crawl inside the appliance.
- Never allow children to clean and maintain the appliance without supervision.
- Children 8 years of age and older and people with reduced physical, sensory or mental capabilities or lack of experience and knowledge can use this appliance if they have been given supervision or instruction concerning use of the appliance in a safe way and they understand the hazards involved.



WARNING

For outdoor use ONLY. This appliance is not intended to be installed in or on recreational vehicles, and/or boats.

WARNING

Electrical Parts & Components – disconnect all power supplies before servicing.

READ THIS MANUAL CAREFULLY AND COMPLETELY BEFORE USING YOUR REFRIGERATOR TO REDUCE THE RISK OF FIRE, SHOCK HAZARD, OR OTHER INJURY.

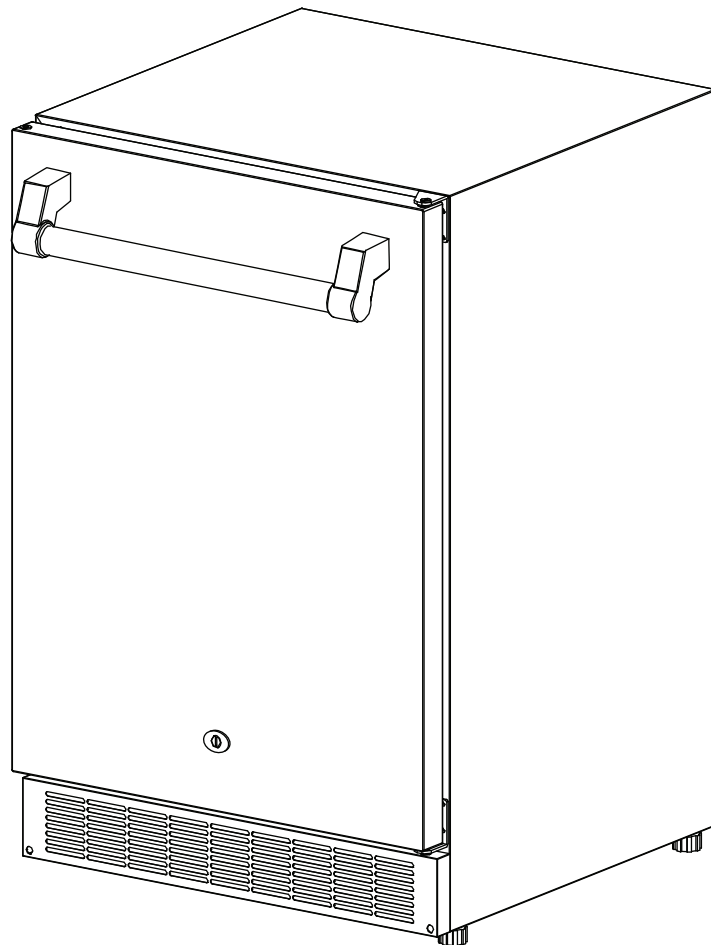
SAVE THESE INSTRUCTIONS FOR FUTURE REFERENCE.

TABLE OF CONTENTS



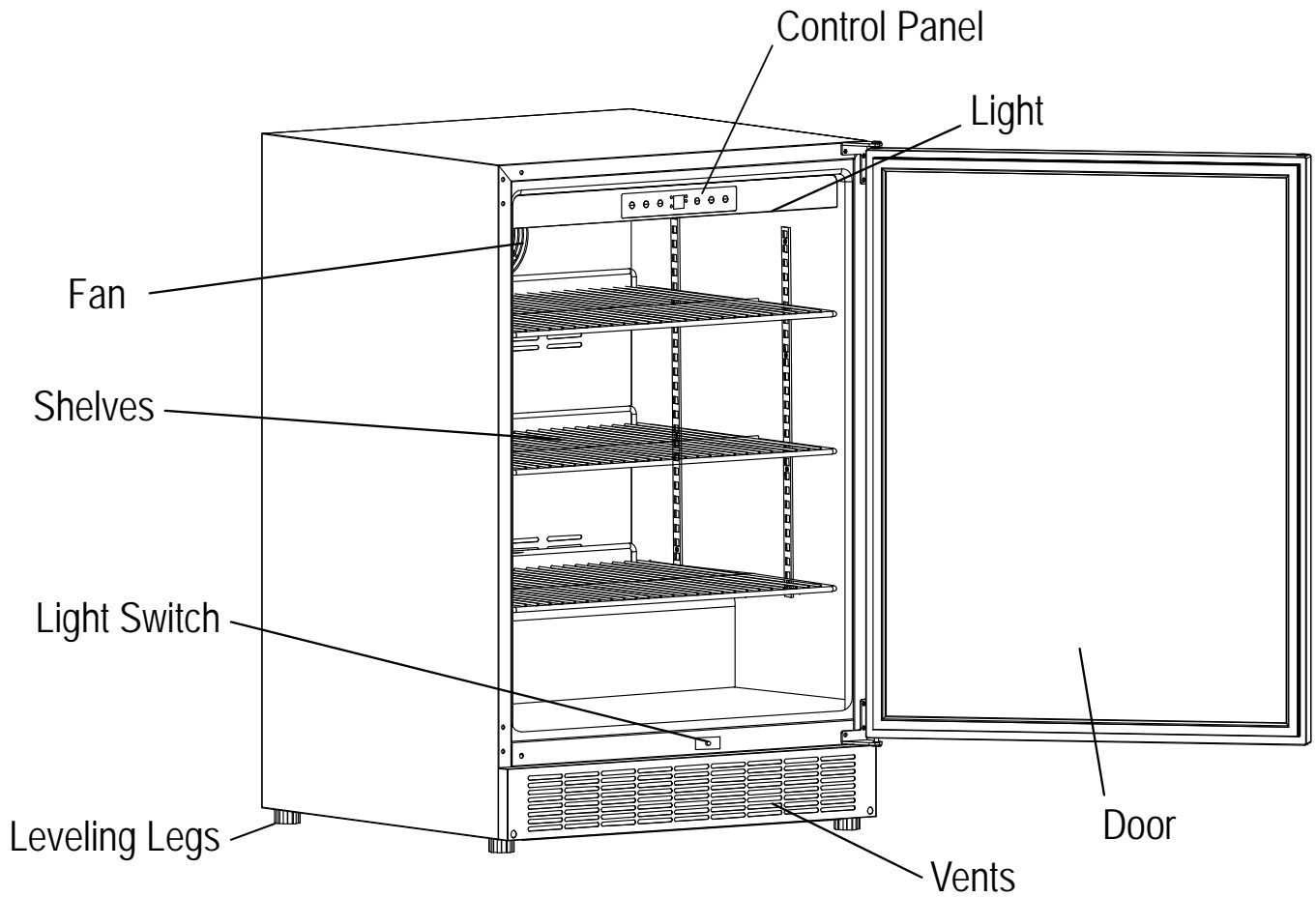
EN

- 2 IMPORTANT SAFEGUARDS
- 3 IMPORTANT CHILD SAFETY
- 5 LOCATION OF PARTS / TECHNICAL SPECIFICATIONS.
- 6 CONTROL PANEL
- 6 ENERGY-SAVING TIPS
- 6 INSTALLATION
- 8 OPERATING YOUR REFRIGERATOR
- 10 CLEANING AND MAINTENANCE
- 11 TROUBLESHOOTING / DISPOSAL
- 12 PARTS LIST / SERVICE
- 12 WARRANTY



LOCATION OF PARTS

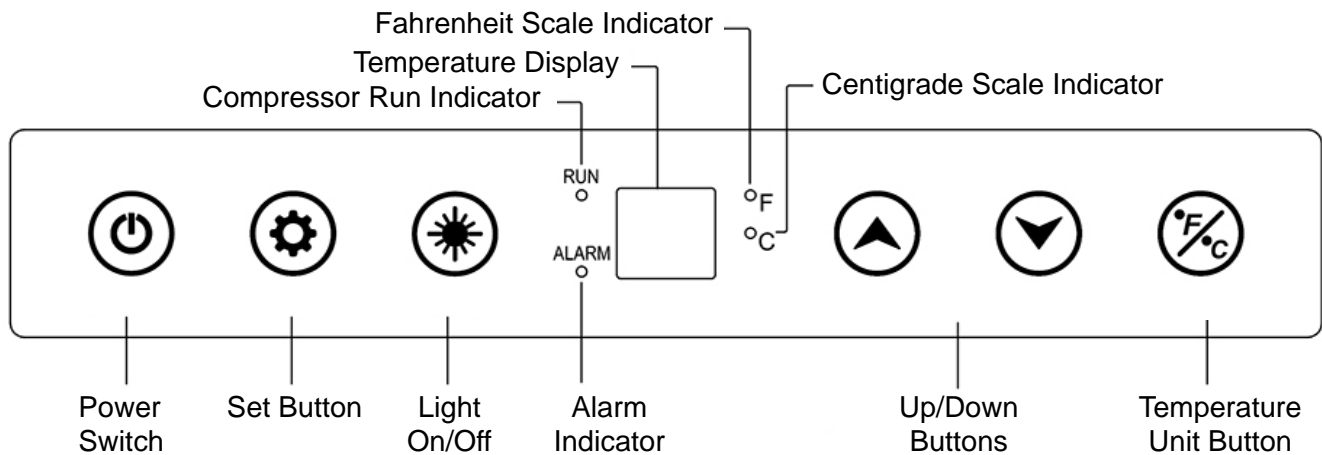
EN



TECHNICAL SPECIFICATIONS

Model Number:	ERS24
Description:	Outdoor Refrigerator
Electrical Input:	115VAC ~ 60Hz
Current Rating:	1.1A
Unit Dimensions:	23.7"W x 27"D x 33.5"H [601 x 685 x 851 mm]
Unit Weight:	105 lbs. [48 kg]
Ambient Temperature Range:	50°F - 100°F [10°C - 38°C]
Compartment Temperature Range:	36°F - 64°F [2°C - 18°C]
Refrigerant:	R600a - 1.02 oz.

CONTROL PANEL



EN

ENERGY-SAVING TIPS

- Do not place the unit next to a heating vent, a range or in direct sunlight.
- Keep the door closed as much as possible, especially in hot, humid weather.
- Cover foods to reduce moisture buildup inside the appliance.

INSTALLATION

⚠WARNING RISK OF FIRE OR EXPLOSION - FLAMMABLE REFRIGERANT USED. Consult repair manual/owner's guide before attempting to service this product. All safety precautions must be followed. To be repaired by trained service personnel only. Do not puncture refrigerant tubing.

⚠WARNING To avoid a hazard due to instability of the appliance, it must be fixed in accordance with the instructions.

This appliance is intended to be used in household and similar applications such as:

- staff kitchen areas in shops, offices and other working environments;
- farm houses and by clients in hotels, motels and other residential type environments;
- bed and breakfast type environments;
- catering and similar non-retail applications.

Remove the exterior and interior packaging. Use a soft dry cloth to wipe down the outside of the refrigerator thoroughly. Use a clean cloth dampened with lukewarm water to wipe down the inside of the refrigerator.

The unit should be located in a well-ventilated area. Avoid placing it near any source of heat or moisture, or in direct sunlight. Direct sunlight may affect the finish, and nearby heat sources will cause higher electrical consumption.

The Refrigerator is designed to be either free-standing or built-in. It has motorized fans at the back of the unit that direct compressor-generated heat away from the compressor and through the front of the unit. Keep the front vents unobstructed. If the unit is built-in, allow minimum clearances of 1/4" [6 mm] at the sides, 1/2" [13 mm] at the back and 1" [25 mm] at the top.

Once the Refrigerator is positioned, the adjustable legs should be turned to level the appliance. This will reduce vibrations.

Keep ventilation openings, in the appliance enclosure or in the built-in structure, clear of obstruction.

INSTALLATION *(continued)*

Reversing the Door Swing

Tools needed: Flathead screwdriver, Phillips screwdriver

IMPORTANT: Before you begin, unplug the refrigerator or disconnect power.

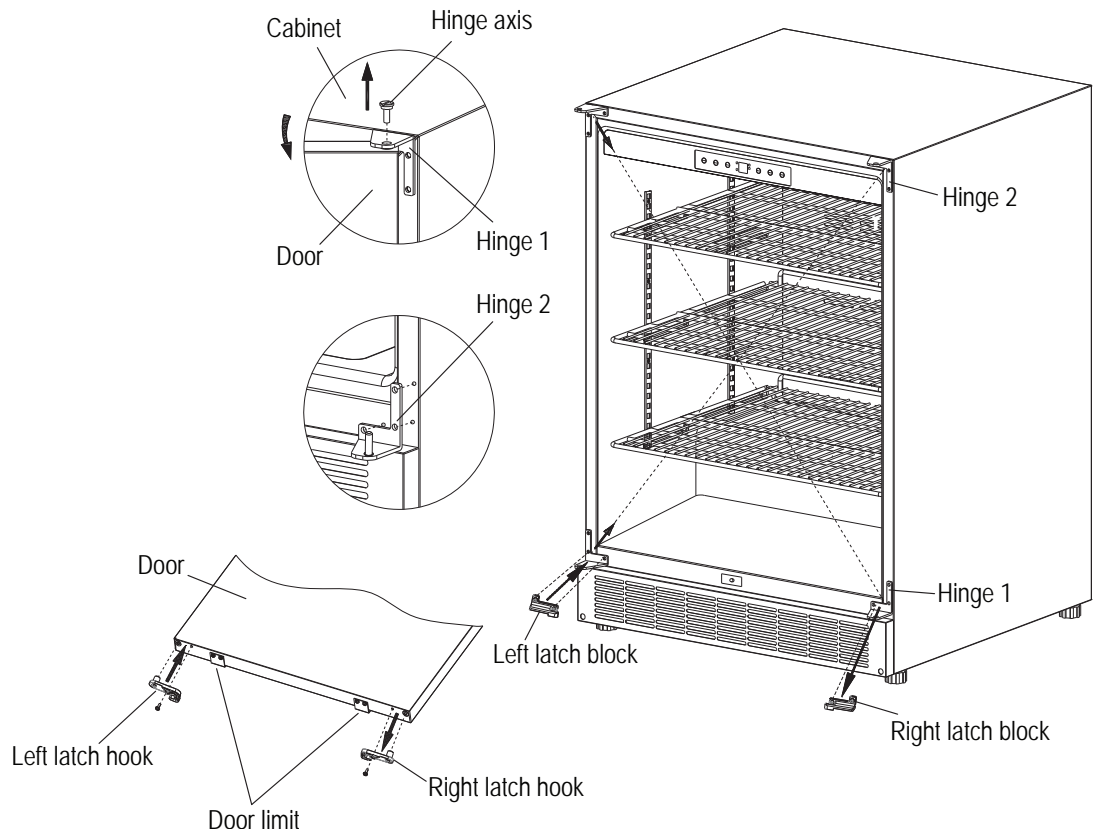
Note that the handle does not need to be removed to reverse the door swing.

To remove door from hinges:

1. Using a flathead screwdriver, separate the hinge axis from Hinge 1. Set aside.
2. Open the door about 20° around the axis of Bottom Hinge 2, then lift the door off Bottom Hinge 2 and set door aside.
3. Remove the right latch hook located in the right bottom of the door and plastic cap located in the left bottom of the door.
4. Install the left latch hook (in accessory bag) to the left bottom of the door where the plastic cap was placed and put the plastic cap on the other side.

To replace door on hinges:

1. Using a flathead screwdriver, remove the plug buttons from the screw holes opposite the door hinges, top and bottom. Set aside.
2. Replace the axis on the Hinge 1 and tighten it firmly. Remove Hinge 1 and install it with left latch block (in accessory bag) on the opposite bottom side.
3. Remove Hinge 2 and take down the right latch block, place Hinge 2 on the opposite top side. Separate the axis from Hinge 2 and set it aside.
4. Align the door on Bottom Hinge 1 and replace axis on Hinge 2. Tighten it firmly.
5. Push the plug buttons into the original screw holes.



INSTALLATION *(continued)*

ELECTRICAL CONNECTION

⚠ DANGER

Important! For your personal safety, this appliance must be properly grounded. In the event of an electrical short circuit, grounding reduces the risk of shock by providing an escape wire for the electric current. This appliance is equipped with a cord having a grounding wire with a grounding plug. The plug must be inserted into an outlet that is properly grounded and installed. The ground wire cannot be connected to a gas pipe, heating pipe, water pipe, telephone line or lightning rod. It cannot be replaced with the neutral wire of single-phase power. In addition to the ground wire, an electrical leakage circuit breaker (GFCI) is also required. Consult a qualified electrician if you do not completely understand these grounding instructions.



EN

DO NOT UNDER ANY CIRCUMSTANCES CUT OR REMOVE THE THIRD (GROUND) PRONG FROM THE POWER CORD!

If installation in a damp location is unavoidable, have an electrician install a ground fault circuit interrupter (GFCI) electrical outlet. If no GFCI is installed, electrical shock could result.

DO NOT USE AN EXTENSION CORD.

Avoid the use of an extension cord because of potential safety hazards under certain conditions.

OPERATING YOUR REFRIGERATOR

IMPORTANT: Do not plug in the Refrigerator for 24 hours after unit is set in place. Failure to do so may result in the unit working improperly.

Compartment Design

This outdoor refrigerator has a capacity of 175 cans. The unit has 3 adjustable chrome-plated flat wire shelves to hold cans and bottles of beverages such as beer, water and soft drinks. The control panel enables you to set your desired temperature and displays the current temperature inside the compartment.

OPERATING INSTRUCTIONS

First Use

The refrigerator control is preset at the factory. Initial startup requires no adjustments.

Turning On the Unit

Plug in the Refrigerator to turn it on automatically. (After the unit has been on for about 6 hours, the compressor will shut down for thirty minutes to allow for automatic defrosting.)

If you want to use the Automatic Temperature (default) setting, do nothing further. The unit will automatically set the temperature in the compartment at 40 °F [4°C]. If you want to set other temperatures, see below.

Temperature Setting

Wine Storage Temperatures: While wines store best at temperatures around 56-58°F [13-14°C], your unit also allows you to store wine at drinking temperatures. Generally, RED WINE should be kept at 60-61°F [16°C] and WHITE WINE, which is usually served chilled, is best kept at 54-55°F [13°C]. Sparkling wines should be kept at about 46°F [8°C]. For beer and soft drinks, choose the temperature setting that is most agreeable to you and your guests.

OPERATING YOUR REFRIGERATOR *(continued)*

To adjust the temperature, press the SET button, then use the UP/DOWN keys to navigate to the preferred temperature. The range of set temperatures is from 36°F to 64°F [2°C to 18°C]. For example, if you are storing red wine, you may want to set a temperature of 61°F [16°C]. When your desired temperature appears in the DISPLAY window of the control panel, press SET to confirm. The actual temperature inside the unit will now appear in the window. This temperature will vary depending on the number of bottles stored and how frequently the door is opened.

Please note: The temperature sensor records the average temperature of the unit. Cold air falls and warmer air rises, and there will be a temperature variation from the bottom to the top of the unit. The temperature at the bottom of the unit will always be slightly colder. The controller controls the average temperature of the unit. The temperature displayed by the electronic control panel is the instantaneous average temperature of the unit and there may be a variation of approximately 0°F to 6° F [0°C to 4°C] from top to bottom.

When fully loaded with room temperature product, the refrigerator will operate continuously for as long as 24 hours to reduce the temperature inside the cabinet to the desired point. Under normal conditions, when the unit has been on for six hours, it will go through the auto defrost function for a period of about thirty minutes.

The unit is designed to operate in ambient temperatures between 50°F [10°C] and 100°F [38°C]. Higher ambient temperatures may reduce the unit's ability to reach low temperatures. Best results are obtained at temperatures between 65°F [18°C] and 80°F [27°C] for built-in models and between 65°F [18°C] and 90°F [32°C] for freestanding models.

Caution: Damages caused by ambient temperatures of 40°F [4°C] or below are not covered by the warranty.

To temporarily stop the cooling cycle, unplug the refrigerator. To shut it down for longer periods of time, disconnect the plug and leave the door partially open to avoid odors or mold.

NOTE: If you unplug the Refrigerator, allow 3 minutes before plugging it back in. The unit will not restart in less than 3 minutes.

Memorized Temperature Settings

Your unit has been designed to "remember" the last run mode to which it was set. If there is a power outage or any other power cutoff, the unit will automatically return to the previous temperature setting after the power has returned.

Compressor Run Indicator

When the compressor is running, the control panel will light a running LED light representing a running compressor. When the compressor stops running, as it reaches the desired temperature, the running LED will go out as well.

ALARM Mode

In the event that there is a fault in the unit, an ALARM LED light will appear on the control panel. In ALARM mode, the unit will make a beeping sound and display an alarm message. If the control panel displays any of the following messages: EI, HI or LI, consult the Troubleshooting section of this manual.

Interior Light

The interior light can be turned On or Off automatically with the opening or closing of the door.

Shelving

The unit has 3 adjustable chrome-plated flat wire shelves to hold cans and bottles of beverages such as beer, water and soft drinks.

OPERATING YOUR REFRIGERATOR *(continued)*

These racks are designed to only be pulled out 1/3 of the way. This is a safety feature so that the refrigerator will not tip over or let the shelf fall out.

The racks are removable and reversible. To remove a rack, take out the cans on the rack and pull it out until it stops. Then lift up the front of the rack and remove it from the unit. Use these steps in reverse to reinstall the shelf.

EN

CLEANING AND MAINTENANCE

Cleaning the Outside

Unplug your Refrigerator. Clean the outside with a cloth dampened in mild soapy water. Dry thoroughly with a soft cloth. Polish with a stainless steel cleaner. To clean the door gasket, use only mild soapy water. Never use harsh cleansers or scouring pads to clean any part of your unit.

Cleaning the Inside

Unplug your Refrigerator and remove its contents. Rinse the inside surfaces with plain water and dry the chrome racks and shelving. Avoid getting excess water inside the machine since it will flow into the water trap near the compressor and possibly overflow.

Defrosting the Unit

▲WARNING Do not use mechanical devices or other means to accelerate the defrosting process, other than those recommended by the manufacturer.

The unit incorporates an automatic defrost system in which the refrigerated surfaces of the unit defrost automatically. Defrost water drains into a hole in the floor of the storage compartment and is channeled into a drain pan located at the back of the unit near the compressor. Heat transferred from the compressor evaporates any water that has collected in the pan. Be sure the drain hole in the floor of the unit is clear and unobstructed.

Extended Non-Use

VACATION/HOLIDAY, PROLONGED SHUTDOWN

The following steps are recommended for periods of extended non-use:

Remove all consumable content from the unit.

Disconnect the power cord from its outlet/socket and leave it disconnected until the unit is returned to service.

Clean and dry the interior of the unit. Ensure all water has been removed from the unit.

The door must remain open to prevent formation of mold and mildew. Prop open the door at a minimum of 2" [50 mm] to provide the necessary ventilation.

WINTERIZATION

If the unit will be exposed to temperatures of 40°F [4°C] or less, the steps above must be followed.

TROUBLESHOOTING

Unit does not turn on

- Not plugged in.
- Fuse blown or circuit breaker tripped.
- Press Power Button on control panel.

Noise or vibration

- Check that unit is level. If not, adjust leveling legs.

Unit is too warm

- Check that door is properly closed and sealed.
- Check temperature setting. (To change the temperature setting, follow the steps in the Operating Your Refrigerator section of this manual.)
- Check if door has been opened frequently or recently filled with product.

Unit Develops Condensation on External Surfaces

- Check the unit is properly exposed to excessive humidity. Moisture will dissipate as humidity levels decrease.

Temperature Window displays "E1"

- This message is an ALARM MODE indication. It indicates that thermostatic sensor has malfunctioned. Contact your authorized service facility for sensor replacement.

Temperature Window displays "L1"

- This message is an ALARM MODE indication. It indicates that the actual temperature is much lower than your set temperature.

Temperature Window displays "H1"

- This message is an ALARM MODE indication. It indicates that the actual temperature is much higher than your set temperature. Possible causes are:

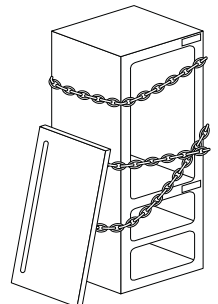
- The door might not be fully closed.
- The refrigerant may have leaked.
- The unit may have been recently loaded with room temperature product.
- The control panel may not be functioning properly and should be replaced. If you are certain that the door is not the cause of the problem, contact your authorized service facility immediately.

DISPOSAL

▲ DANGER Risk of child entrapment. Before you throw away your old refrigerator:

- Take off the doors.
- Leave the shelves in place so that children may not easily climb inside.
- Do not let children play in, on, or around the refrigerator.

▲ CAUTION Risk of fire or explosion. Please dispose the appliance according to federal or local regulations for its flammable refrigerant and blowing gas.



PARTS LIST

Please visit the Aspire by Hestan website to access the parts list for your Aspire by Hestan product: www.hestanaspire.com.

EN

SERVICE

All warranty and non-warranty repairs should be performed by qualified service personnel. To locate an authorized service agent in your area, contact your Hestan dealer, local representative, or the manufacturer. Before you call, please have the model number and serial number information ready. This information is shown on the rating sticker affixed to the back of your appliance.

Hestan Commercial Corporation
3375 E. La Palma Avenue
Anaheim, CA 92806
(888) 905-7463

OUTDOOR REFRIGERATOR LIMITED WARRANTY

WHAT THIS LIMITED WARRANTY COVERS

Hestan Commercial Corporation ("HCC") warrants to the original consumer purchaser of a Hestan outdoor refrigerator (the "Product") from an HCC authorized dealer that the Product is free from defective materials or workmanship for a period of one (1) year from the date of original retail purchase or closing date for new construction, whichever period is longer ("Limited Warranty Period"). HCC agrees to repair or replace, at HCC's sole option, any part or component of the Product that fails due to defective materials or workmanship during the Limited Warranty Period. This Limited Warranty is not transferable and does not extend to anyone beyond the original consumer purchaser ("Purchaser"). This Limited Warranty is valid only on Products purchased and received from an HCC authorized dealer in the fifty United States, the District of Columbia and Canada. This Limited Warranty applies only to Products in non-commercial use and does not extend to Products used in commercial applications.

HOW TO OBTAIN WARRANTY SERVICE

If the Product fails during the Limited Warranty Period for reasons covered by this Limited Warranty, the Purchaser must immediately contact the dealer from whom the Product was purchased or HCC at 888.905.7463.

Purchaser is responsible for making the Product reasonably accessible for service or for paying the cost to make the Product reasonably accessible for service. Service is to be provided during normal business hours of the authorized Hestan Commercial Service Provider. To the extent Purchaser requests service outside of the normal business hours of the authorized Hestan Commercial Service Provider, Purchaser will pay the difference between regular rates and overtime or premium rates. Purchaser is required to pay all travel costs for travel beyond 50 miles (one way) from the nearest authorized Hestan Commercial Service Provider.

WHAT THIS LIMITED WARRANTY DOES NOT COVER:

This Limited Warranty does not cover and HCC will not be responsible for and will not pay for: damage to or defects in any Product not purchased from an HCC authorized dealer; color variations in color finishes or other cosmetic damage; failure or damage from abuse, misuse, accident, fire, natural disaster, commercial use of the Product, or loss of electrical power to the Product; damage from alteration, improper installation, or improper operation of the Product; damage from improper or unauthorized repair or replacement of any part or component of the Product; damage from service by someone other than an authorized agent or representative of the Hestan Commercial Service Network; normal wear and tear; damage from exposure of the Product to a corrosive atmosphere containing chlorine, fluorine, or any other damaging chemicals; damage resulting from the failure to provide normal care and maintenance to the Product; damage HCC was not notified of within the Limited Warranty Period; and incidental and consequential damages caused by any defective material or workmanship.

OUTDOOR REFRIGERATOR LIMITED WARRANTY *(continued)*

ARBITRATION:

This Limited Warranty is governed by the Federal Arbitration Act. Any dispute between Purchaser and HCC regarding or related to the Product or to this Limited Warranty shall be resolved by binding arbitration only on an individual basis with Purchaser. Arbitration will be conducted by the American Arbitration Association ("AAA") in accordance with its Consumer Arbitration Rules or by JAMS. The arbitration hearing shall be before one arbitrator appointed by the AAA or JAMS. The arbitrator shall not conduct class arbitration and Purchaser shall not bring any claims against HCC in a representative capacity on behalf of others.

LIMITATION OF LIABILITY:

This Limited Warranty is the final, complete and exclusive agreement between HCC and Purchaser regarding the Product.

THERE ARE NO EXPRESS WARRANTIES OTHER THAN THOSE LISTED AND DESCRIBED ABOVE. NO WARRANTIES WHETHER EXPRESS OR IMPLIED, INCLUDING, BUT NOT LIMITED TO, ANY IMPLIED WARRANTIES OF MERCHANTABILITY OR FITNESS FOR A PARTICULAR PURPOSE SHALL APPLY AFTER THE LIMITED WARRANTY PERIOD STATED ABOVE. NO OTHER EXPRESS WARRANTY OR GUARANTY GIVEN BY ANY PERSON, FIRM OR CORPORATION WITH RESPECT TO THIS PRODUCT SHALL BE BINDING ON HCC. HCC ASSUMES NO RESPONSIBILITY THAT THE PRODUCT WILL BE FIT FOR ANY PARTICULAR PURPOSE, EXCEPT AS OTHERWISE PROVIDED BY APPLICABLE LAW.

HCC SHALL NOT BE LIABLE FOR LOSS OF REVENUE OR PROFITS, FAILURE TO REALIZE SAVINGS OR OTHER BENEFITS, OR ANY OTHER SPECIAL, INCIDENTAL OR CONSEQUENTIAL DAMAGES CAUSED BY THE USE, MISUSE OR INABILITY TO USE THE PRODUCT, REGARDLESS OF THE LEGAL THEORY ON WHICH THE CLAIM IS BASED, AND EVEN IF HCC HAS BEEN ADVISED OF THE POSSIBILITY OF SUCH DAMAGES. NO RECOVERY OF ANY KIND AGAINST HCC SHALL BE GREATER IN AMOUNT THAN THE PURCHASE PRICE OF THE PRODUCT.

WITHOUT LIMITING THE FOREGOING, YOU ASSUME ALL RISK AND LIABILITY FOR LOSS, DAMAGE OR INJURY TO YOU AND YOUR PROPERTY AND TO OTHERS AND THEIR PROPERTY ARISING OUT OF THE USE, MISUSE OR INABILITY TO USE THE PRODUCT NOT CAUSED DIRECTLY BY THE NEGLIGENCE OF HCC. THIS LIMITED WARRANTY STATES YOUR EXCLUSIVE REMEDY.

No oral or written representation or commitment given by anyone, including but not limited to, an employee, representative or agent of HCC will create a warranty or in any way increase the scope of this express Limited One Year Warranty. If there is any inconsistency between this Limited Warranty and any other agreement or statement included with or relating to the Product, this Limited Warranty shall govern. If any provision of this Limited Warranty is found invalid or unenforceable, it shall be deemed modified to the minimum extent necessary to make it enforceable and the remainder of the Limited Warranty shall remain valid and enforceable according to its terms.

INTERACTION OF LAWS WITH THIS LIMITED WARRANTY:

Some states, provinces or territories may not allow limitations on how long an implied warranty lasts or the exclusion or limitation of incidental or consequential damages, so the above limitations or exclusions may not apply to you. Some states, provinces or territories may provide for additional warranty rights and remedies, and the provisions contained in this Limited Warranty are not intended to limit, modify, take away from, disclaim or exclude any mandatory warranty requirements provided by states, provinces or territories, including certain implied warranties. This warranty gives you specific legal rights, and you may also have other rights which vary depending on location.

Any questions about this Limited Warranty may be directed to:

Hestan Commercial Corp. at (888) 905-7463

RETAIN THIS MANUAL FOR FUTURE REFERENCE
CONSERVEZ CE MANUEL POUR UNE RÉFÉRENCE FUTURE



Hestan Commercial Corporation

3375 E. La Palma Ave.
Anaheim, CA 92806
(888) 905-7463