



Features

- **Sleek Stainless Steel Rotary Control Knobs** provide precise heat control for delicate cooking.
- **Convection Oven** utilizes the interior fan to evenly disperse heat, thoroughly cooking food.
- **2.47 Cu. Ft. Capacity** allows you to cook family-sized meals without the need for a full-sized range.
- **Programmable Cooking Modes**, such as convection, broil, bake, and defrost offer versatility.

Overall Dimensions

Width	23 ⁶/₁₆" / 59.44 cm
Depth	21 ¹⁰/₁₆" / 54.86 cm
Height	23 ⁶/₁₆" / 59.44 cm

Cutout Dimensions

Width	22" / 55.80 cm
Depth	22 ¹/₁₆" / 56.01 cm
Height	22 ¹⁵/₁₆" / 58.29 cm

Power Requirements

Voltage	240V
Amperage	10 amps
Hertz	60 Hz

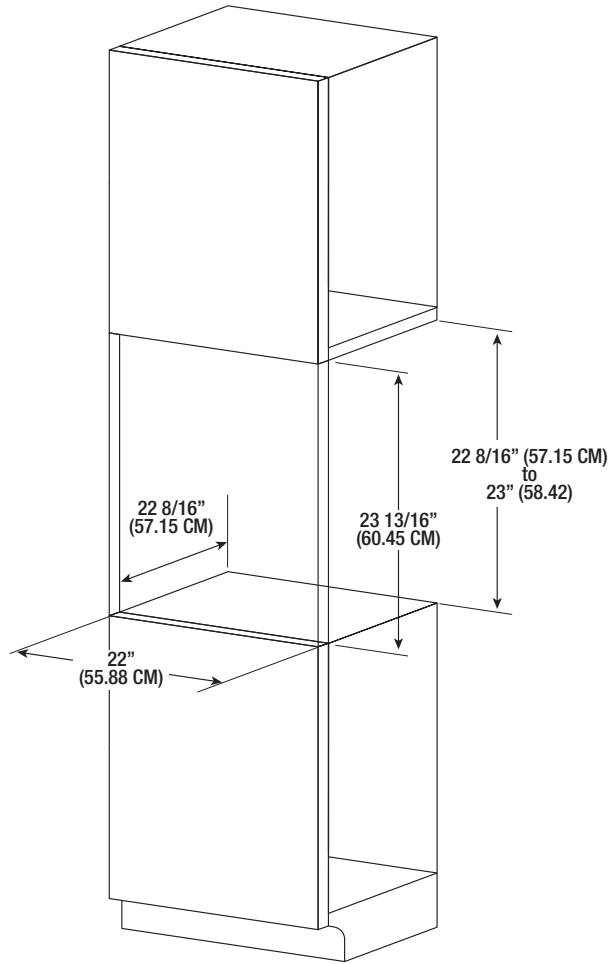
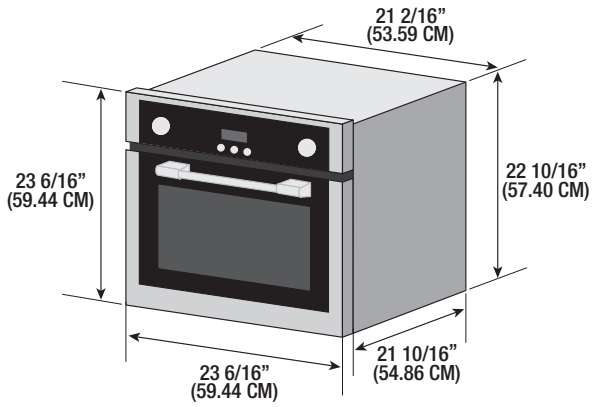
Product Specifications

Net Weight	71.65 lbs / 32.9 kg
Oven Capacity	2.47 cu. ft.
Oven Cleaning Type	Standard Clean
Rack Configuration	2 Flat Nickel Racks

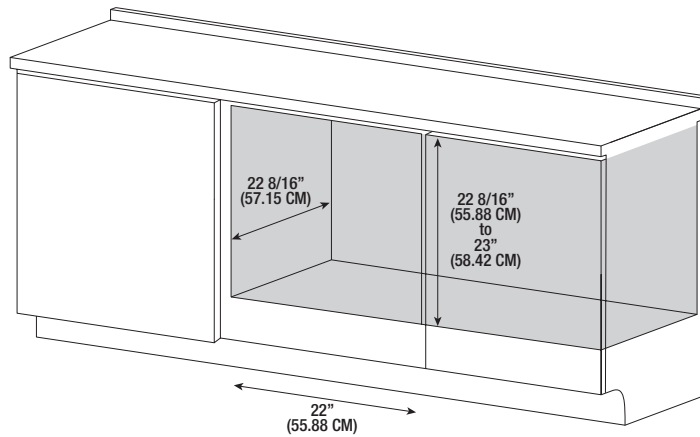
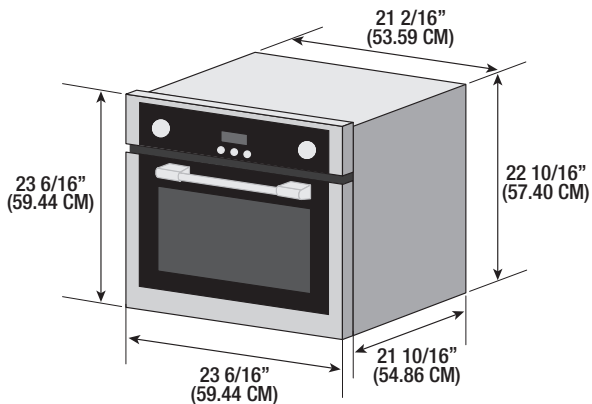
Warranty

Length	1 Year
Type	Limited

Wall Cabinet Installation



Under Counter Installation

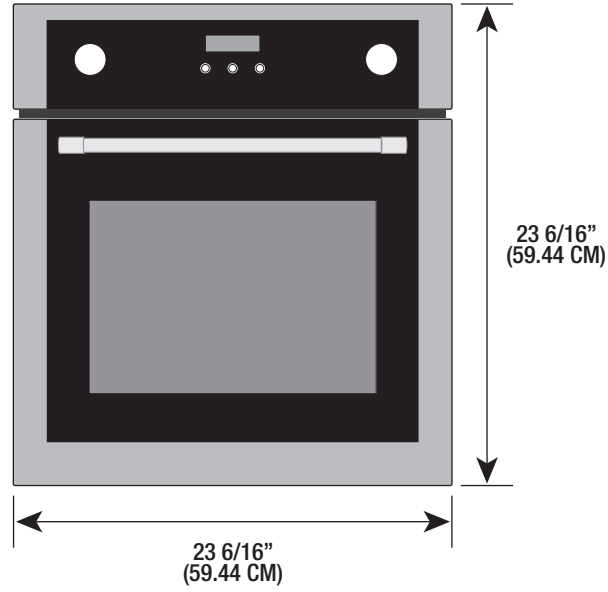


F24WOCVSS

24" Electric Wall Oven

FORTÉ

Front View Dimensions



Side View Dimensions

