

RADIANT COOKTOP 300 SERIES 24"







CODE ID

24" RADIANT COOKTOP WITH KNOB CONTROL WITH BRUSHED ALUMINUM TRIM

F3RK24S2



-  Easy Clean Ceramic Glass
-  Double Radiant
-  Residual Heat Sensor
-  Frame Creative



RADIANT COOKTOP

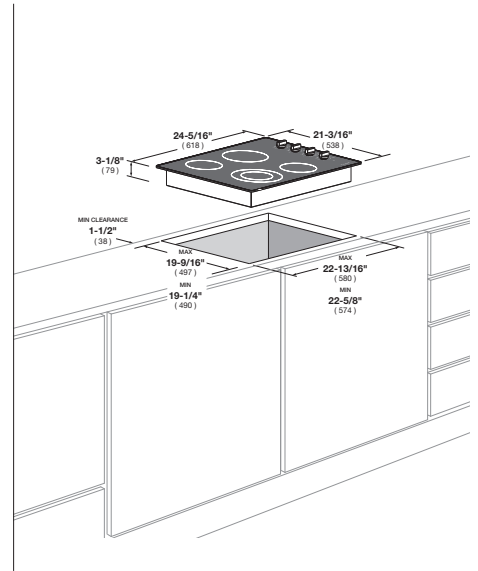
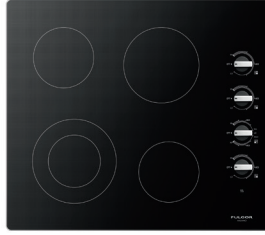
Power on Indication
Hot surface Indication



This product meets ADA (Americans with Disabilities Act) requirements. Please check with your local municipality's codes and stipulations for additional details to ensure compliance.

DISTINTO

24" RADIANT COOKTOP WITH TOUCH
CONTROL WITH BRUSHED ALUMINUM TRIM



CODE ID	F3RK24S2 - 24" RADIANT COOKTOP WITH TOUCH CONTROL WITH BRUSHED ALUMINUM TRIM		
Series and Finish	300 Series - Ceramic glass with aluminum frame		
CONTROL PANEL			
Control Type	Knobs		
COOKTOP			
Type	RADIANT		
Cooking Surface	Ceramic Glass		
RADIANT COOKTOP FEATURES			
Automatic Fast Boil Function	9 Levels		
Hot Surface Indication	-		
Timer Functions	•		
Timer Display	4		
Burners types (Rear-L) - Power	7 - 3/4" / 4 - 3/4"	(197 mm / 121 mm)	1900W / 800W
Burners types (Rear-R) - Power	5 - 1/2"	(140 mm)	1200W
Burners types (Front-R) - Power	7"	(180 mm)	1800W
DIMENSIONS/WEIGHT			
Overall dim - Width	24"	(618 mm)	
Overall dim - Height	3 - 5/16" + conduit 15/16"	(84 mm) + conduit (24 mm)	
Overall dim - Depth	21 - 3/16"	(538 mm)	
Cut-out - Width (min - max)	22 - 5/8", 22 - 13/16"	(574 mm) - (580 mm)	
Box - Height	3 - 1/16" + conduit 15/16"	(78 mm) + conduit (24 mm)	
Cut-out - Depth (min - max)	19 - 1/4", 19 - 9/16"	(490 mm) - (497 mm)	
Gross Weight	30 lbs	(14 kg)	
POWER / RATINGS (208/240 V, 60 HZ)			
kW / Amps rating at 240V, 60Hz	6.10kW - 25.4A		
kW / Amps rating at 208V, 60Hz	4.58kW - 22.0A		
Power Cable	Conduit		
INSTRUCTIONS FOR USE			
Use & Care Manual / Installation Manual	English / French / Spanish		