

FULGOR

MILANO

FULGOR
MILANO

ENTER CODE MUTE LBS. OZ.

12:00

START COOK FILTER DEF. TIME

Sensor Cook Pre

Potato Frozen Entree Popo
Reheat Frozen Vegetables Beve

- 1. Butter
- 2. Chocolate
- 3. Ice Cream
- 4. Cheese

Melt / Soften

Convenience Features

Turntable On-Off Clock Ke Wa
Time Cook Power Level Defr Time/W

1 2 3
4 5 6
7 8 9
+30 sec 0 Kitch Tim (4:3

Express Cook

Stop Clear

Start

Light On-Off Vent Fan Turbo-Hi-Lo-Off Fil Res (3 S

OVER THE RANGE MICROWAVE OVEN



INSTALLATION GUIDE
GUIDE D'INSTALLATION

IMPORTANT—Please Read and Follow!

- Please read all instructions thoroughly before installing the Built-In Microwave Hood. Two people are recommended to install this product.
- If a new electrical outlet is required, its installation should be completed by a qualified electrician before the Built-In Microwave Hood is installed. See **ELECTRICAL GROUNDING INSTRUCTIONS** on page 3.

Unpacking and Examining Your Oven

Open the bottom of the carton, bend the carton flaps back and tilt the oven over to rest on plastic foam pad. Lift carton off oven and remove all packing materials, Wall and Top Cabinet Templates, Turntable and Turntable Support. **SAVE THE CARTON AS IT MAY MAKE INSTALLATION EASIER.**

- Remove the feature sticker from the outside of the door, if there is one.
- **DO NOT REMOVE THE WAVEGUIDE COVER**, which is located on the right-side wall of the oven cavity. Check to see that there is a Wall Template and Top Cabinet Template. Read enclosures and **SAVE** the Use and Care manual.

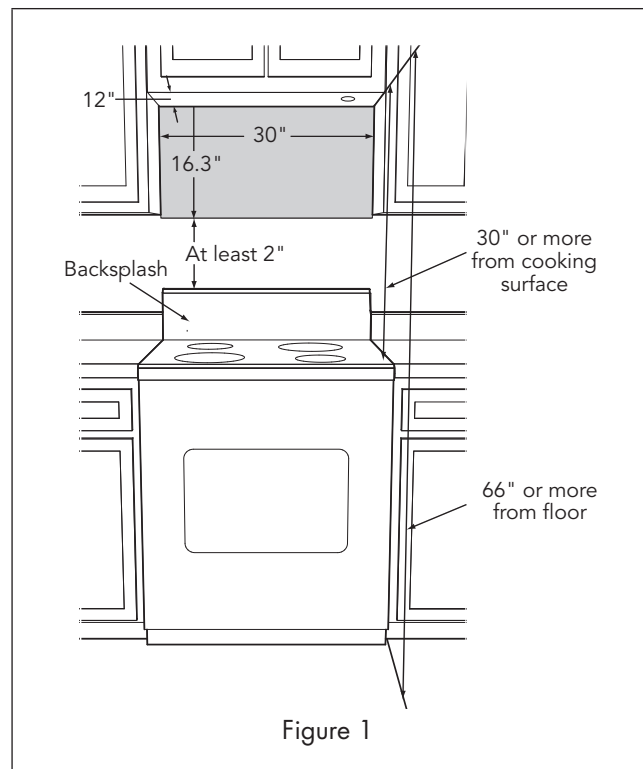
Check the oven for any damage, such as misaligned or bent door, damaged door seals and sealing surfaces, broken or loose door hinges and latches and dents inside the cavity or on the door. If there is any damage, do not operate the oven and contact your dealer or **AUTHORIZED SERVICER**.

1. Mounting Space

This Built-In Microwave Hood requires a mounting space on a wall as shown in Figure 1.

If the space between the wall cabinets is greater than 30-inches (36-inches or 42-inches) a Filler Panel may be used to fill the gap between the Built-In Microwave Hood and wall cabinets. The Filler Panel Kit should be installed before the Built-In Microwave Hood is installed.

For proper installation and servicing, a 2-inch space is necessary between the top of the range backsplash and the bottom of the Built-In Microwave Hood.



2. Wall Construction

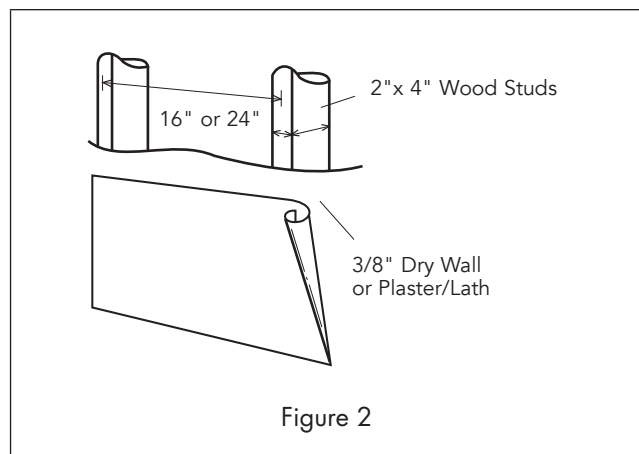
This Built-In Microwave Hood should be mounted against and supported by a flat vertical wall. The wall must be flat for proper installation. If the wall is not flat, use spacers to fill in the gaps.

Wall construction should be a minimum of 2" x 4" wood studding and 3/8" or more thick drywall or plaster/lath. The mounting surfaces must be capable of supporting a weight of 110 pounds—the oven and contents—AND the weight of all items that would normally be stored in the top cabinet above the unit. The unit should be attached to a minimum of one 2" x 4" wall stud.

To find the location of the studs, one of the following methods may be used:

- Use a stud finder, a magnetic device which locates the nails in the stud.
- Use a hammer to tap lightly across the mounting surface to find a solid sound. This will indicate stud location.

The center of the stud can be located by probing the wall with a small nail to find the edges of the stud and then placing a mark halfway between the edges. The center of any adjacent studs will normally be 16" or 24" to either side of this mark.



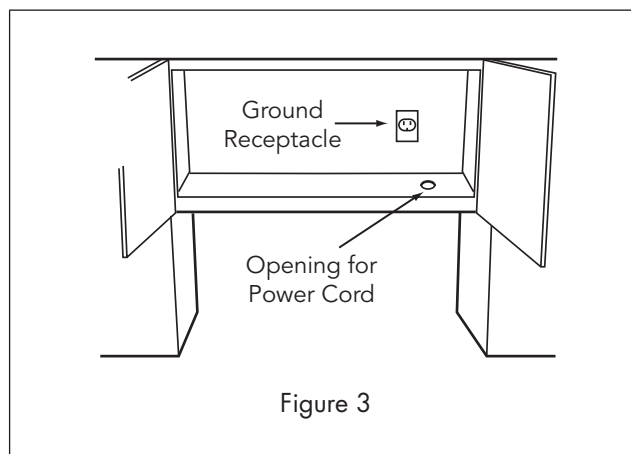
NOTE: In the event that the unit will be unable to be supported by any stud, it will be necessary to use special care in the placement of the toggle bolts and top cabinet screws. See Wall Template for details. The top cabinet should be tested to ensure it is securely attached to the wall. Place extra weight up to 110 pounds inside the top cabinet to test the support.

3. ELECTRICAL GROUNDING INSTRUCTIONS

This appliance must be grounded. This oven is equipped with a cord having a grounding wire with a grounding plug. It must be plugged into a wall receptacle that is properly installed and grounded in accordance with the National Electrical Code and local codes and ordinances. In the event of an electrical short circuit, grounding reduces risk of electric shock by providing an escape wire for the electric current.

WARNING - Improper use of the grounding plug can result in a risk of electric shock.

The Power Supply Cord and plug must be connected to a separate 120 Volt AC, 60 Hz, 15 Amp, or more branch circuit, single grounded receptacle.



NOTE:

1. If you have any questions about the grounding or electrical instructions, consult a qualified electrician or serviceperson.
2. Neither Fulgor Milano nor the dealer can accept any liability for damage to the oven or personal injury resulting from failure to observe the correct electrical connection procedures.

4. Hood Exhaust Duct

When the hood is vented to the outside, a hood exhaust duct is required. All ductwork must be metal; absolutely do not use plastic duct. Check that all connections are made securely. Please read the following carefully:

Exhaust Connection: The hood exhaust has been designed to connect to a standard 3¹/₄" x 10" rectangular duct. If round duct is required, a rectangular-to-round adapter must be used.

Rear Exhaust: If a rear or horizontal exhaust is to be used, care should be taken to align the exhaust with the space between the studs, or wall should be prepared at the time it is constructed by leaving enough space between wall studs to accommodate exhaust.

Maximum Duct Length: For satisfactory air movement, the total duct length of 3¹/₄" x 10" rectangular or 6" diameter round duct should not exceed 140 feet.

Elbows, adapters, wall, roof caps, etc. present additional resistance to air flow and are equivalent to a section of straight duct which is longer than their actual physical size. When calculating the total length, add the equivalent lengths of all transitions and adapters plus the length of all straight duct sections. Figure 4 shows the approximate feet of equivalent length of some typical ductwork parts.

Use the values in parentheses for calculating air flow resistance equivalent, which should total less than 140 feet.

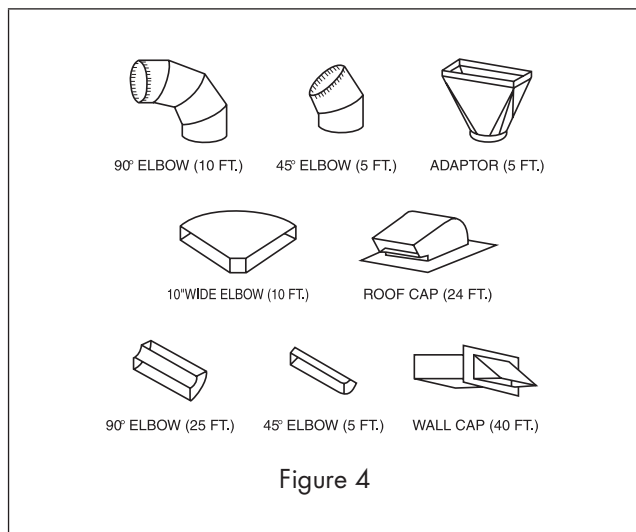


Figure 4

5. Tools Recommended for Installation

- Phillips Screwdriver
- Electric Drill
- Scissors
- Saw to cut exhaust opening (if needed)
- 1¹/₂" Wood Bit or Metal Hole Cutter (if metal cabinet is used)
- Pencil
- Measure
- Tape
- 1/2", 5/8" and 3/32" Drill Bits
- Protective Drop Cloth for product and range—you may also use carton for protection

6. Installation Hardware

The following is a list of parts you may need for installing your Built-In Microwave Hood. You will find the installation hardware contained in a packet with the unit. Check to make sure you have all these parts. Use this time to become familiar with each piece.

ITEM	PART NAME & CODE	QTY
①	Lag screws (1/4" x 1.8") 9KC7117604511	2
②	Toggle Bolts and Nuts 3/16" x 2.7" 9KC3516003200, 9KC3516003300	2
③	Cabinet Mounting Bolts 1/4" x 3 1/8" 9KC7045607011	2
④	Washer (3/4") 9KC3516003100	2
⑤	Nylon Grommet (for metal cabinets) 9KC3517503200	1
⑥	Damper 9KC3515400500	1
⑦	Mounting Plate 9KC351060009300	1

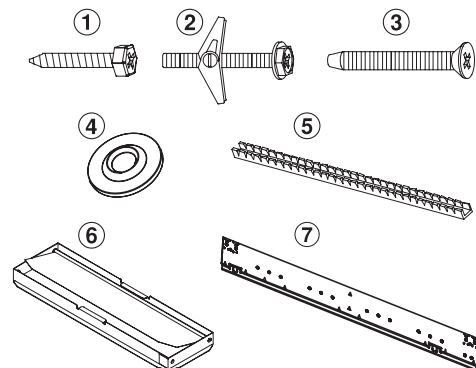


Figure 5

7. Ventilation System

This Built-In Microwave Hood is designed for adaptation to three types of hood ventilation systems. Select the type required for your installation.

A. Recirculating

Non-Vented, Ductless Operation

The unit is shipped assembled for recirculating.

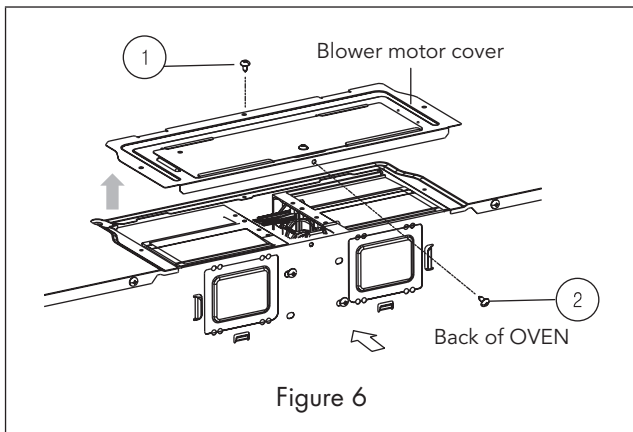
NOTE:

1. The Exhaust Damper Assembly is not required for recirculating operation.
2. The Charcoal Filter should be replaced every 6 months, depending on use.
3. The Charcoal Filter is also sold as an accessory. See Use and Care Manual for ordering information.

B. Horizontal Ventilation System

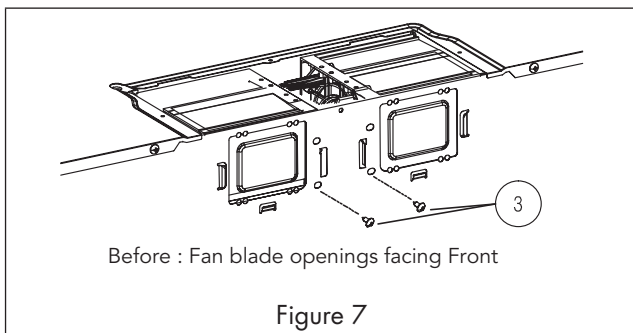
STEP 1

- Remove the screws (1) and (2) for opening the blower motor cover and save screws. Remove cover. See Figure 6.

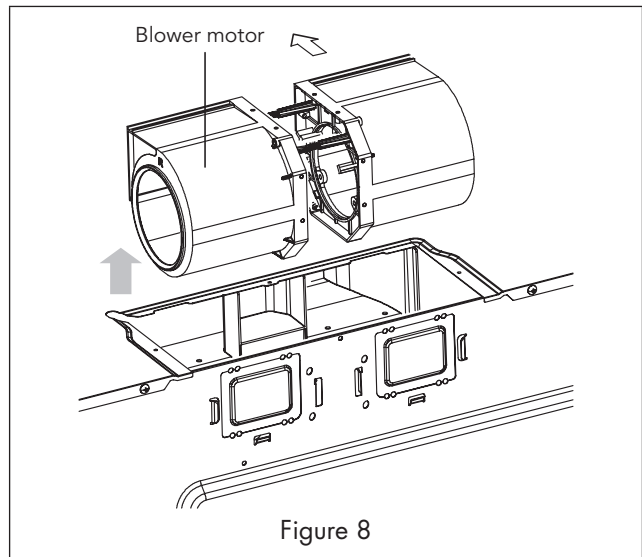


STEP 2

- Remove the screws (3) for Blower attachment and save screws. See Figure 7.



- Lift blower unit out of mounting location. See Figure 8.

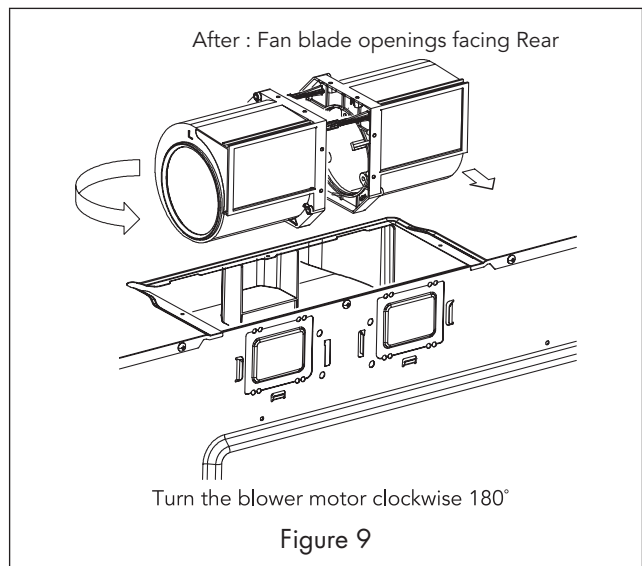


CAUTION: Do not pull or stretch blower wiring.

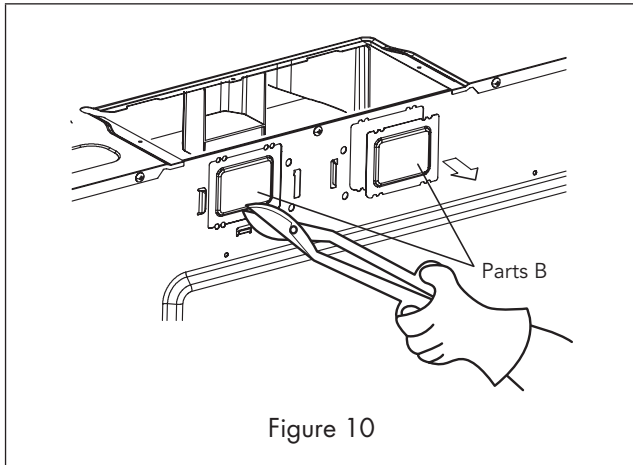
STEP 3

- Turn the blower unit so that the fan blade openings are facing back (rear of unit). See Figure 9.

CAUTION: Wires to blower unit must be routed properly to avoid pinching wires before reinstallation of cover plate.

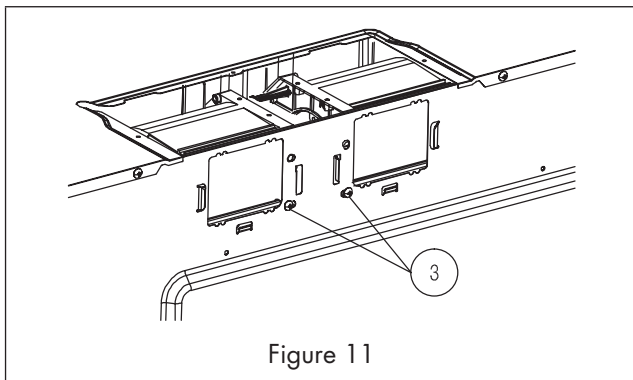


- Use side cutters or tin snips to cut and remove parts B from back plate. Be careful not to distort the plate. See Figure 10.

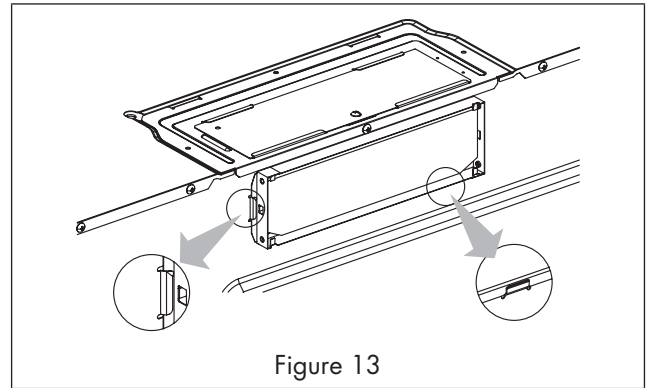
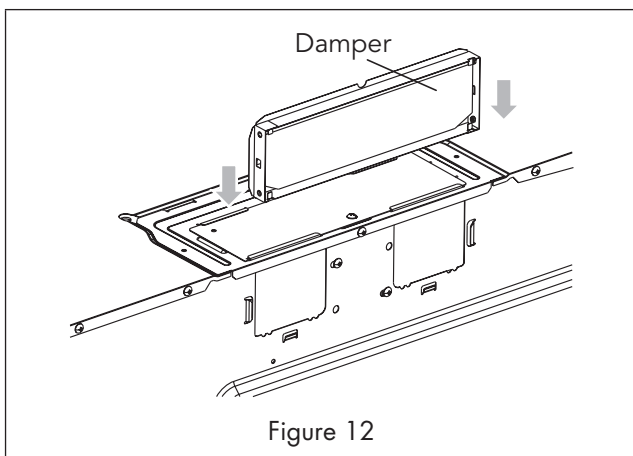


STEP 4

- Place the blower unit into the opening and secure it to the oven with the screws (3) from step 2. See Figure 11.



- Carefully match the exhaust opening location of the microwave and attach the damper to the rear plate by sliding it into the guides at the rear plate. See Figures 12,13.



Be sure that the damper hinge is on the top and the damper swings free into the wall outlet.

C. Vertical Ventilation System

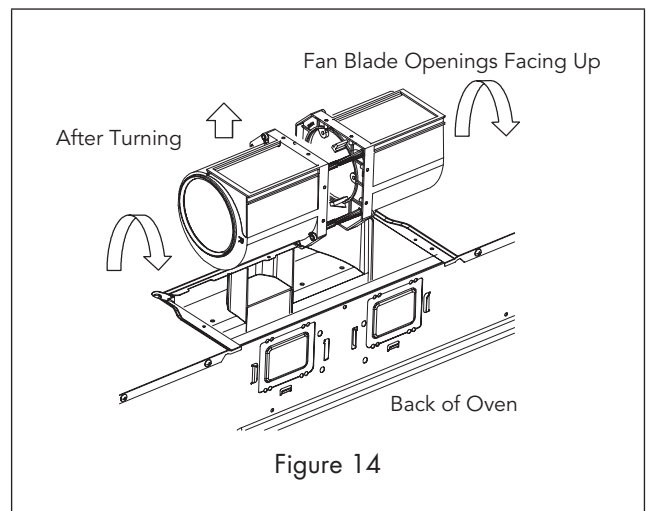
The unit is shipped assembled for recirculating.

STEPS 1 & 2

- A-1 Ventilation motor. See Figure 8.

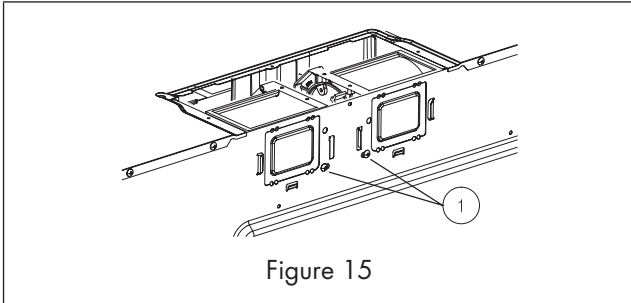
STEP 3

- Turn the blower unit so that the fan blade openings are facing upward. See Figure 14.

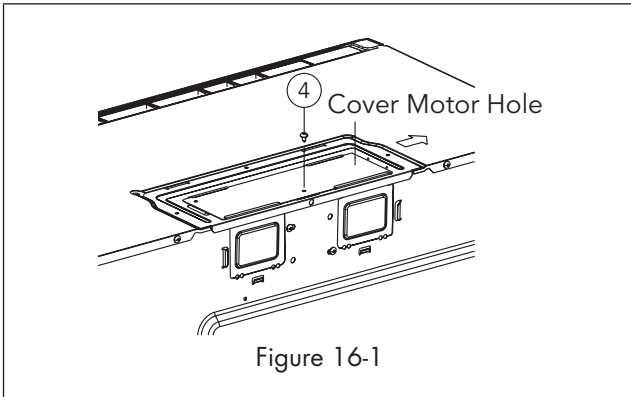


STEP 4

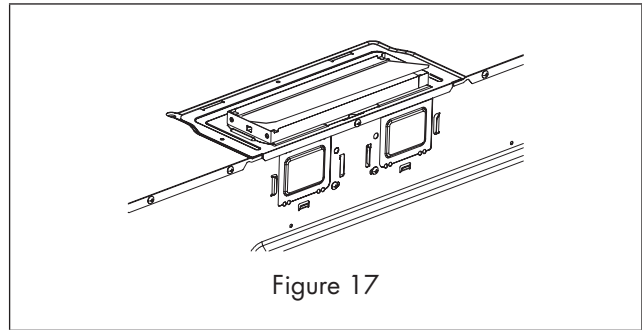
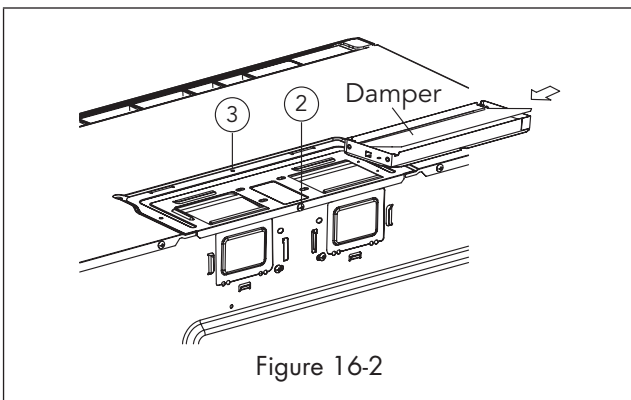
- Place the blower unit into the opening.
- Secure the Blower Motor Cover to the microwave oven with the screw (1, 2 and 3) from step 1 and 2. See Figure 15.



- Remove the screw (4) for the Blower Motor Cover and save screws. Remove the Cover Motor Hole from Blower Motor Cover. See Figure 16-1.



- Carefully match the exhaust opening location of the microwave and attach the damper to blower motor cover by sliding it into the guides at the blower motor cover. See Figure 16-2, 17.



Be sure that the damper hinge is on the front and the damper swings free into the wall outlet.

8. Oven Installation

THIS OVEN CANNOT BE PROPERLY INSTALLED WITHOUT REFERRING TO THE MOUNTING INSTRUCTIONS FOUND ON BOTH TEMPLATES.

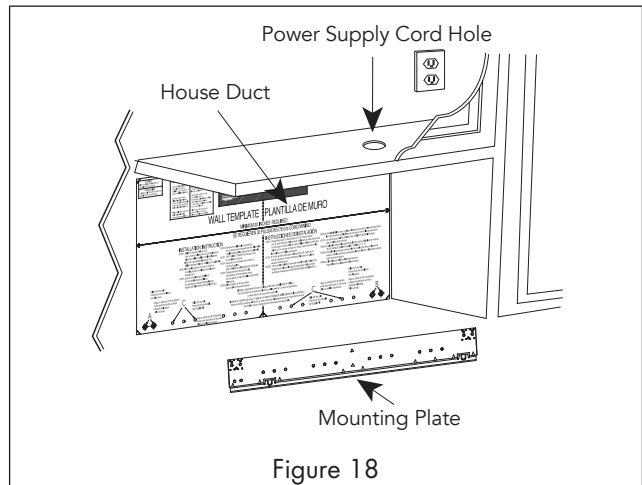
READ AND FOLLOW MOUNTING INFORMATION ON BOTH TOP CABINET AND WALL TEMPLATES.

Mounting Plate

STEP 1 - SETUP POSITION

- Draw a line down the middle of the studs (see Wall Construction, page 3).
- Draw a vertical line on the wall at the center of the 30" wide space. See Figure 18.

NOTE: Use the wall template for the rear wall. Reference Wall Template prior to proceeding. Installation of this product requires 2 people.



STEP 2 - DRILLING

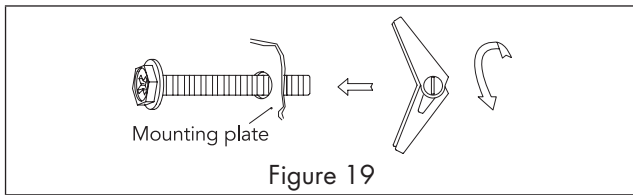
Reference the Wall Template.

STEP 3 - TIGHTENING THE SCREWS

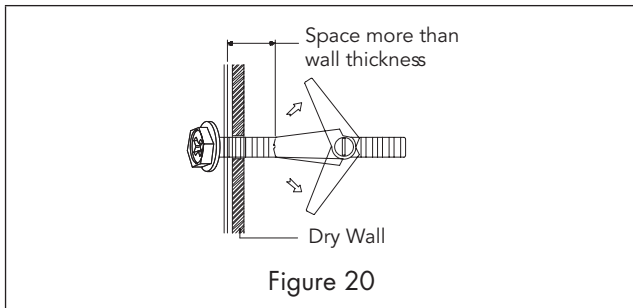
To attach the mounting plate to the wall using the toggle bolt assemblies and/or lag screws:

- Insert toggle bolts through mounting plate at required locations and add the spring loaded toggles. See Figure 19.

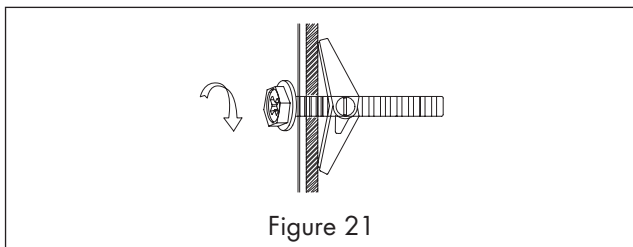
Be sure you leave space at least the thickness of the wall between the mounting plate and the end of the toggle nut, (in closed position). If you do not leave this space, the toggle nut will not open on the other side of the wall.



- Position mounting plate on wall and insert toggle bolt assemblies through the drywall holes or start the lag screw(s) through the wall stud(s). See Figure 20.



- Next, secure mounting plate to the wall by tightening toggle bolt assemblies or lag screw(s). See Figure 21.



- Drill 3/16" diameter lag screw hole(s), into one or more wall studs.

(Remember, you must have at least one lag screw secured to a wall stud.) For stud location refer to WALL CONSTRUCTION, see page 3.

- Tighten the lag screw(s) into wall stud(s).

Mounting Oven to The Wall

NOTE: IT IS VERY IMPORTANT THAT THIS OVEN BE INSTALLED BY TWO PEOPLE.

IMPORTANT: DO NOT GRIP OR USE HANDLE DURING INSTALLATION.

Preparation of Top Cabinet

You need to drill holes for the top support screws and a hole large enough for the power cord to fit through.

Read the instructions on the TOP CABINET TEMPLATE.

Tap it underneath the top cabinet.

Drill the holes, following the instructions on the template.

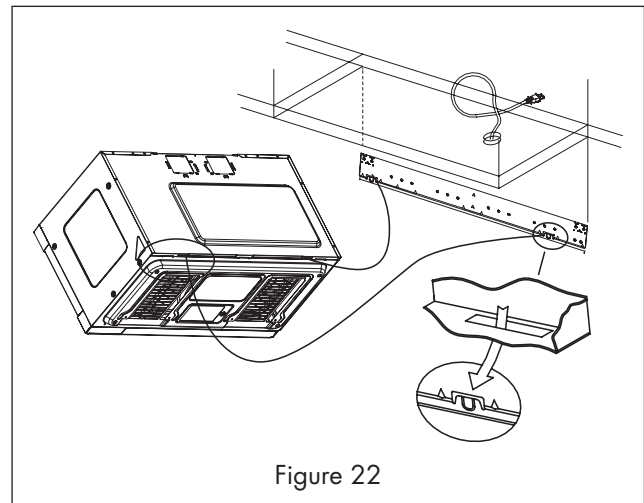
NOTE: TOP CABINET TEMPLATE instruction must be installed to proceed.

STEP 1

- Protect the top of your range by placing a portion of the carton or some other heavy material over the cooking surface before mounting your oven.

STEP 2

- Lift the microwave oven and tilt it forward.
- Hang the unit on two tabs at the bottom of the mounting plate. See Figure 22.



STEP 3

- Thread power cord through the hole at the bottom of the top cabinet.
- Swing the unit upward to meet the top of the mounting plate and hold it securely. See Figure 23.

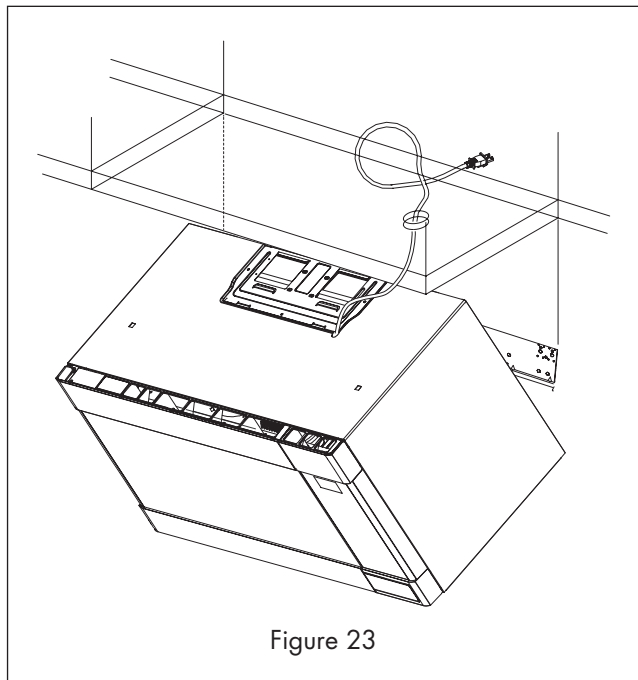


Figure 23

STEP 4

- Insert a bolt down through each hole in the upper cabinet bottom.
- Tighten the bolts until the gap between the upper cabinet and microwave oven is closed. See Figure 24.

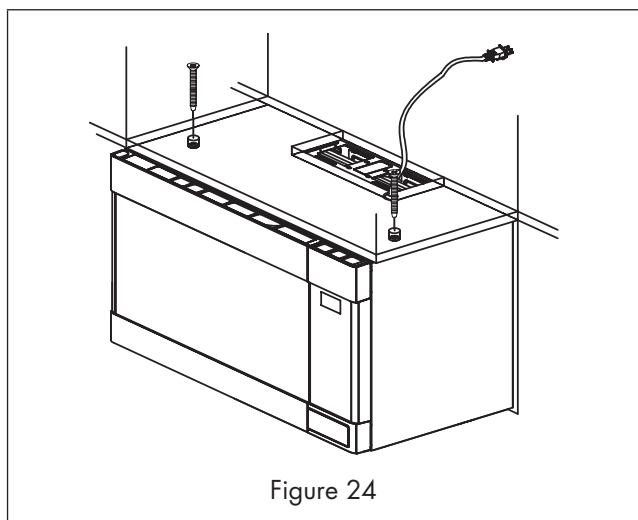


Figure 24

Connecting Ductwork

- Extend the house duct down to connect to the exhaust adapter. Seal exhaust duct joints using duct tape. See Figure 25.

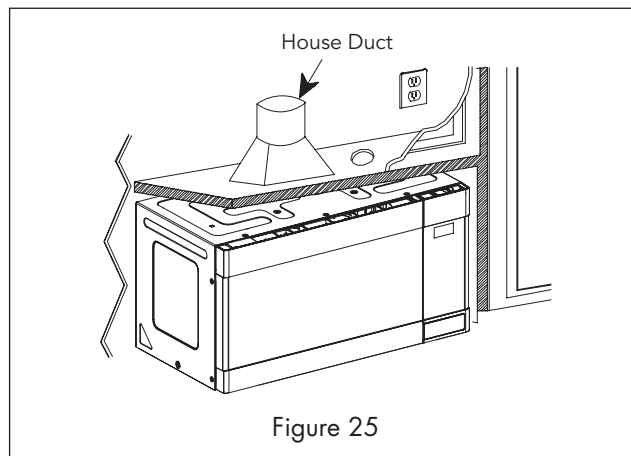


Figure 25

How to Replace the Charcoal filter

1. Unplug the oven or turn off the power at the main power supply.
2. Remove the grille air mounting 3 screws and open the door. See Figure 26.

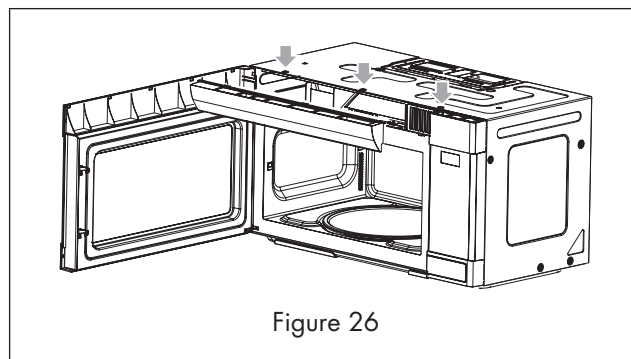


Figure 26

3. Slide the grille air to the left, then pull it straight out.
4. Push the charcoal filter backward and remove it.

5. Slide a new charcoal filter into place. The filter should rest at the angle. See Figure 27.

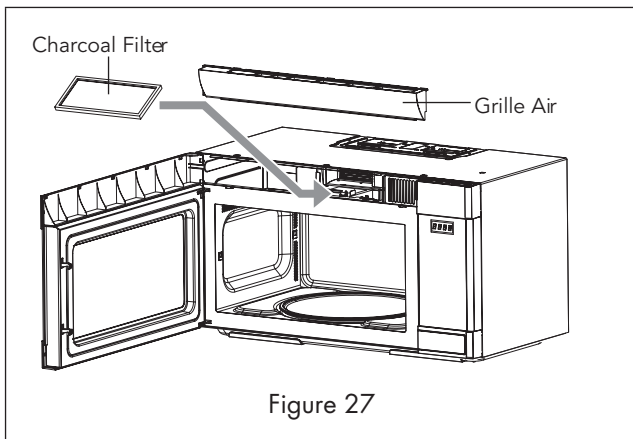


Figure 27

6. Replace the grille air and 3 screws and close the door.
7. Plug the oven in or turn on the power at the main power supply.

CHECK LIST FOR OPERATION

- 1 Make sure the unit has been installed according to all of the Installation Instructions, the Top Cabinet Template and Wall Template.
2. Remove all packing material from the oven.
3. Plug in the power cord.
4. Read the Use & Care Manual.
5. Keep the Installation Instructions for the local electrical inspector's use.

ACCESSORIES

Check with your dealer or order directly from Fulgor Milano. CHARCOAL FILTER (CFOR3). Filter is used when hood exhaust is recirculated only.

IMPORTANT – Prière de lire et de suivre!

- Veuillez lire les instructions en entier avant d'installer le système four à micro-ondes et hotte intégrée. La participation de deux personnes est recommandée pour l'installation de ce produit.
- Si une nouvelle prise de courant est requise, son installation devrait être effectuée par un électricien qualifié avant l'installation du four à micro-ondes à hotte intégrée. Voir 3 - INSTRUCTIONS DE MISE À LA TERRE à la page 3.

Déballer et examiner votre four

Ouvrez le fond du carton, pliez les rabats du carton et inclinez le four pour qu'il repose sur un tampon en mousse plastique. Soulevez le carton du four et retirez tous les matériaux d'emballage, les modèles d'armoires murale et supérieure, le plateau tournant et son support. **CONSERVEZ LE CARTON POUR FACILITER L'INSTALLATION.**

Retirez l'autocollant de fonction de l'extérieur de la porte, le cas échéant.

NE RETIREZ PAS LE COUVERCLE DU GUIDE DE CONDUITES, situé sur la paroi droite de la cavité du four. Vérifiez qu'il existe un modèle de mur et un modèle d'armoire supérieure. Lisez les pièces jointes et **CONSERVEZ** le manuel d'utilisation et d'entretien.

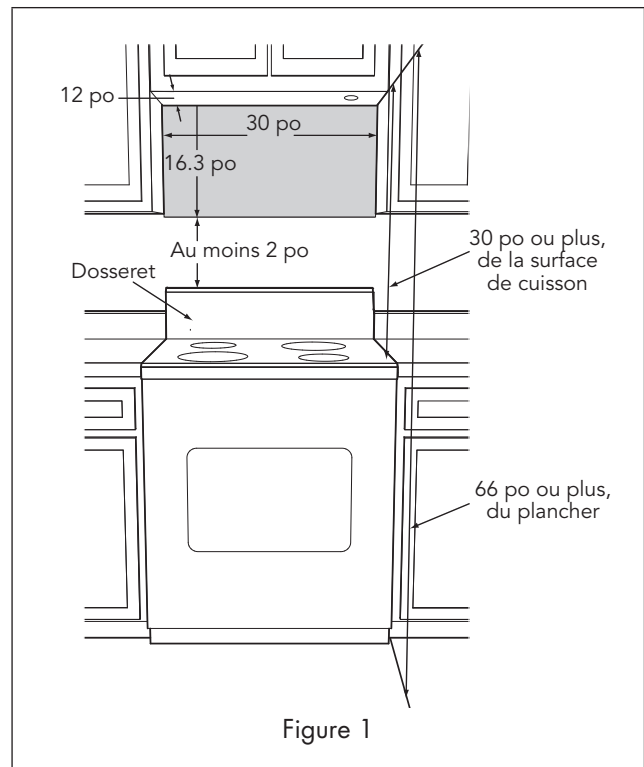
Vérifiez que le four ne présente aucun dommage, tel qu'une porte mal alignée ou déformée, des joints d'étanchéité de la porte et des surfaces d'étanchéité endommagés, des charnières et des loquets de porte cassés ou desserrés, ainsi que des bosses dans la cavité ou sur la porte. En cas de dommage, n'utilisez pas le four et contactez votre revendeur ou votre réparateur agréé.

1. Espace de montage

Ce four à micro-ondes à hotte intégrée nécessite un espace de montage sur le mur tel qu'illustré dans la Figure 1.

Si l'espace entre les armoires est supérieur à 30 pouces (36 ou 42 pouces), un panneau de finition peut être utilisé pour fermer l'espace vide entre le four à micro-ondes à hotte intégrée et les armoires. Le panneau de finition devrait être installé avant le four à micro-ondes à hotte intégrée.

Pour une installation et un entretien adéquats, un espace minimum de deux pouces est nécessaire entre le dessus du dossier de la cuisinière et le dessous du système four à micro-ondes et hotte intégrée.



2. Construction du mur

Ce four à micro-ondes à hotte intégrée devrait être monté sur et soutenu par un mur vertical plat. Le mur doit être plat pour une installation adéquate. Si le mur n'est pas plat, utilisez des entretoises pour remplir les écarts.

Le mur devrait comprendre au minimum des montants en bois de 2 po x 4 po et une cloison sèche de 3/8 po ou plus ou une cloison de plâtre sur lattes. Les surfaces de montage doivent avoir la capacité de soutenir un poids de 110 livres (50 kg) (le four et son contenu) PLUS le poids de tous les articles normalement rangés dans l'armoire au-dessus du four à micro-ondes.

L'appareil doit être fixé à au moins un montant mural de 2 po x 4 po.

Pour trouver l'emplacement des montants, vous pouvez utiliser l'une des méthodes suivantes :

Utiliser un détecteur de montant, un appareil magnétique qui détecte les clous dans le montant.

Utiliser un marteau pour taper doucement la surface de montage jusqu'à ce qu'il produise un son solide. Ceci indique l'emplacement du montant.

Vous pouvez trouver le centre du montant en sondant le mur avec un petit clou pour trouver les rebords du montant, puis tracer une marque au centre. Le centre des montants adjacents se trouve normalement à 16 ou 24 pouces de chaque côté de cette marque.

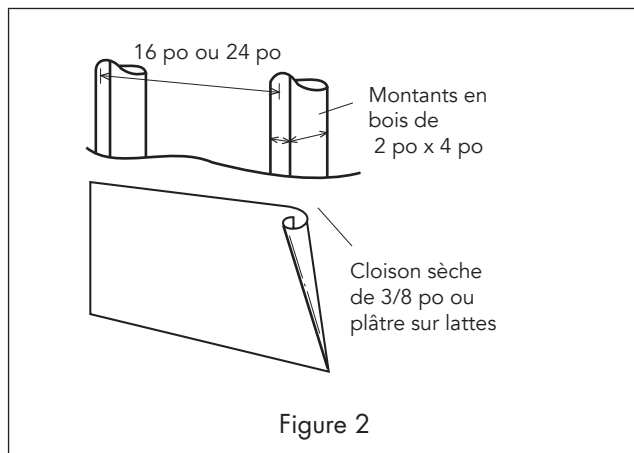


Figure 2

REMARQUE : S'il est impossible de fixer l'appareil à un montant du mur, il faudra porter une attention particulière au placement des ancrages à boulon et des vis pour l'armoire supérieure. Consultez le Gabarit mural pour les détails. L'armoire supérieure devrait être testée pour vérifier qu'elle est solidement fixée au mur. Placez jusqu'à 110 livres (50 kg) de poids supplémentaire dans l'armoire supérieure pour tester sa capacité de soutien.

3. INSTRUCTIONS POUR LA MISE À LA TERRE

Cet appareil doit être mis à la terre. Ce four est équipé d'un cordon avec fil de mise à la terre et une fiche pour mise à la terre. Il doit être branché dans une prise murale installée correctement et mise à la terre conformément au Code national de l'électricité ainsi qu'aux codes et règlements locaux. Dans l'éventualité d'un court-circuit, la mise à la terre réduit le risque d'électrocution en fournissant un fil de sortie pour le courant électrique.

AVERTISSEMENT - L'utilisation inappropriée de la prise de mise à la terre peut entraîner un risque d'électrocution.

Le cordon d'alimentation et la fiche doivent être connectés à une prise de courant séparée, mise à la terre, avec circuit de dérivation de 120 volts alternatif, 60 Hz, 15 ampères ou plus.

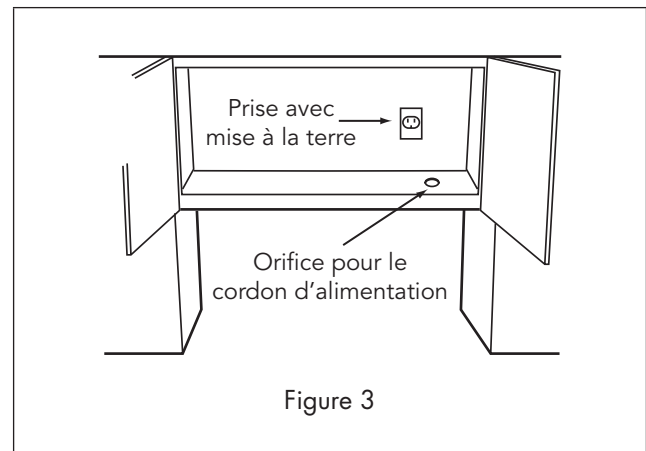


Figure 3

REMARQUE :

1. Si vous avez des questions concernant la mise à la terre ou les instructions sur l'électricité, consultez un électricien ou technicien qualifié.
2. Ni Fulgor Milano ni le revendeur ne peuvent être tenus responsables des dommages causés au four ou des blessures personnelles résultant du non-respect des procédures adéquates de branchement électrique.

4. Conduit de sortie de la hotte

Si la hotte est ventilée vers l'extérieur, un conduit de sortie est nécessaire. Tous les conduits doivent être en métal; n'utilisez absolument jamais de tuyauterie en plastique. Vérifiez que tous les raccords sont fixés solidement. Veuillez lire attentivement ce qui suit :

Raccordement du conduit de sortie : L'échappement de la hotte a été conçu pour être raccordé à un tuyau rectangulaire standard de 3 1/4 po x 10 po. Si un tuyau rond est utilisé, un adaptateur de tuyau rectangulaire à tuyau rond devra être utilisé.

Échappement à l'arrière : Si un échappement horizontal ou vers l'arrière est utilisé, il faut faire attention d'aligner l'échappement avec l'espace entre les montants, ou le mur doit être préparé au moment de sa construction pour laisser suffisamment d'espace entre les montants pour accommoder l'échappement.

Longueur maximale des tuyaux : Pour permettre un mouvement d'air satisfaisant, la longueur totale d'un tuyau rectangulaire de 3 1/4 po par 10 po ou d'un tuyau rond de 6 po de diamètre ne devrait pas dépasser 140 pieds.

Les coudes, adaptateurs, sorties murales et de toit, etc., offrent une résistance supplémentaire au mouvement de l'air et équivalent à une section de tuyau droit plus longue que leur longueur réelle. Lors du calcul de la longueur totale, ajoutez la longueur équivalente de toutes les transitions et des adaptateurs à la longueur de toutes les sections de tuyau droites. La Figure 4 montre la longueur équivalente approximative en pieds des pièces de conduit communes.

Utilisez les valeurs entre parenthèses pour calculer la longueur totale équivalente, qui devrait être inférieure à 140 pieds.

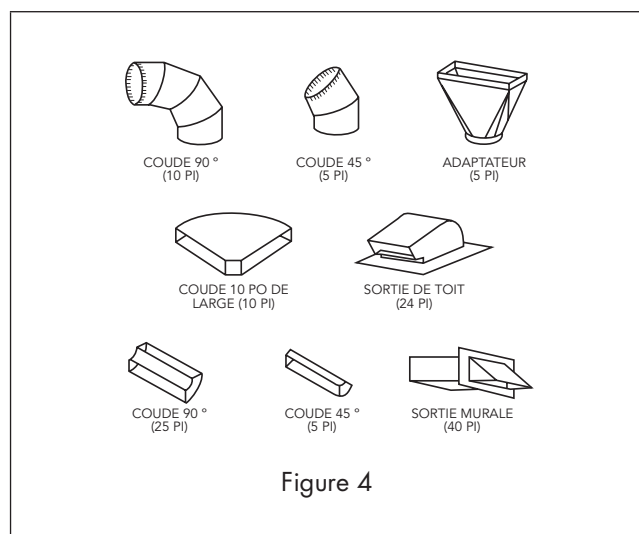


Figure 4

5. Outils recommandés pour l'installation

- Tournevis Phillips
- Perceuse électrique
- Ciseaux
- Scie pour découper l'orifice d'échappement (si nécessaire)
- Foret pour bois ou foret emporte-pièce pour le métal (si armoire en métal) de 1 1/2 po
- Crayon
- Ruban à mesurer
- Ruban adhésif
- Forets de 1/2 po, 5/8 po et 3/32 po
- Linge ou tissu de protection pour l'appareil et la cuisinière; vous pouvez aussi utiliser un carton

6. Quincaillerie d'installation

La liste qui suit comprend les pièces dont vous pourriez avoir besoin pour installer votre four à micro-ondes à hotte intégrée. La quincaillerie d'installation est fournie dans un sac accompagnant l'appareil. Assurez-vous d'avoir toutes ces pièces en votre possession. Profitez-en pour vous familiariser avec chacune des pièces.

ARTICLE	NOM DE LA PIÈCE ET CODE	QTÉ
①	Vis tire-fond (1/4 po x 1,8 po) 9KC7117604511	2
②	Boulons et écrous à ailettes 3/16 po x 2,7 po 9KC3516003200, 9KC3516003300	2
③	Boulons de montage à l'armoire 1/4 po x 3 1/8 po 9KC7045607011	2
④	Rondelle (3/4 po) 9KC3516003100	2
⑤	Passe-câble en nylon (pour armoires en métal) 9KC3517503200	1
⑥	Clapet 9KC3515400500	1
⑦	Plaque de montage 9KC351060009300	1

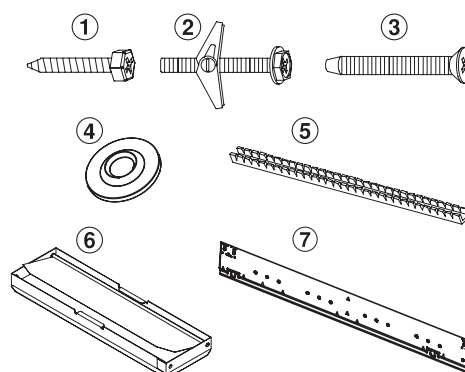


Figure 5

7. Système de ventilation

Cette hotte intégrée pour micro-ondes est conçue pour s'adapter à trois types de systèmes de ventilation de hotte. Sélectionnez le type requis pour votre installation.

A. Recirculation

Fonctionnement non ventilé et sans tuyau

L'appareil est expédié prêt à être utilisé en mode de recirculation.

REMARQUE :

1. Le clapet de sortie n'est pas nécessaire pour le fonctionnement en mode de recirculation.
2. Le filtre à charbon devrait être remplacé tous les six mois, selon la fréquence d'utilisation.
3. Le filtre à charbon est aussi vendu en tant qu'accessoire. Voir le Manuel d'utilisation pour des détails sur le processus de commande.

B. Système de ventilation horizontal

ÉTAPE 1

- Retirez les vis (1) et (2) pour ouvrir le couvercle du moteur du ventilateur et conservez ces vis. Retirez le couvercle. Voir la Figure 6.

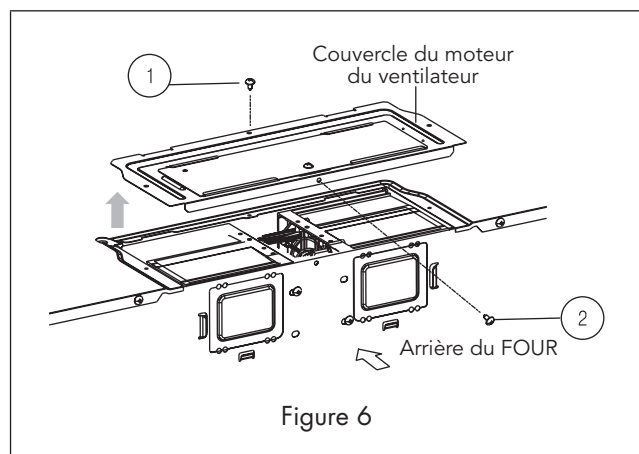


Figure 6

ÉTAPE 2

- Retirez les vis (3) de fixation du ventilateur et conservez les vis. Voir la Figure 7.

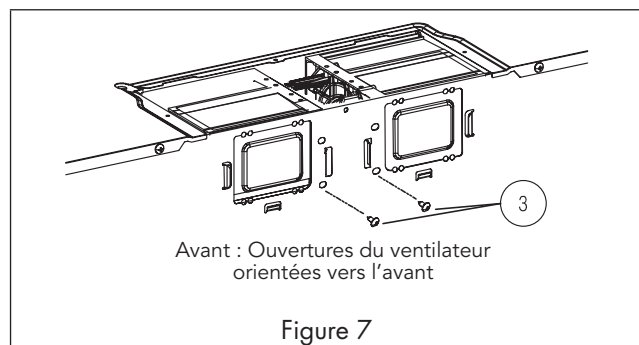


Figure 7

- Soulevez le ventilateur et retirez-le de l'emplacement de montage. Voir la Figure 8.

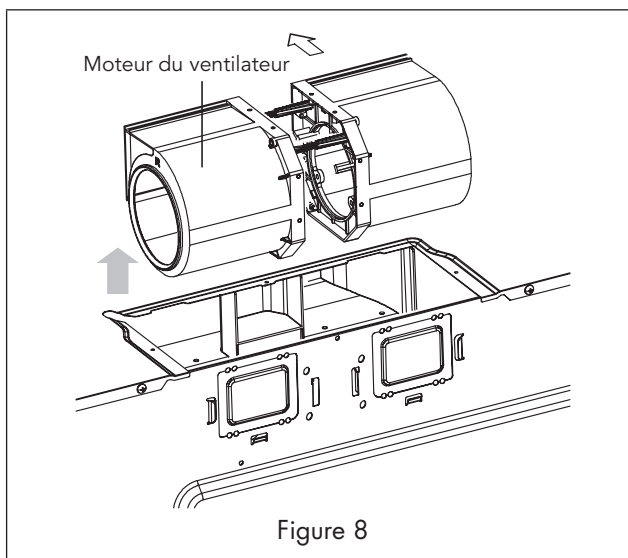


Figure 8

MISE EN GARDE : Ne tirez pas et n'étirez pas les fils du ventilateur.

ÉTAPE 3

- Tournez le ventilateur afin que les ouvertures du ventilateur soient tournées vers l'arrière (de l'appareil). Voir la Figure 9.

MISE EN GARDE : Les fils du ventilateur doivent être acheminés correctement avant la réinstallation de la plaque pour éviter les pincements.

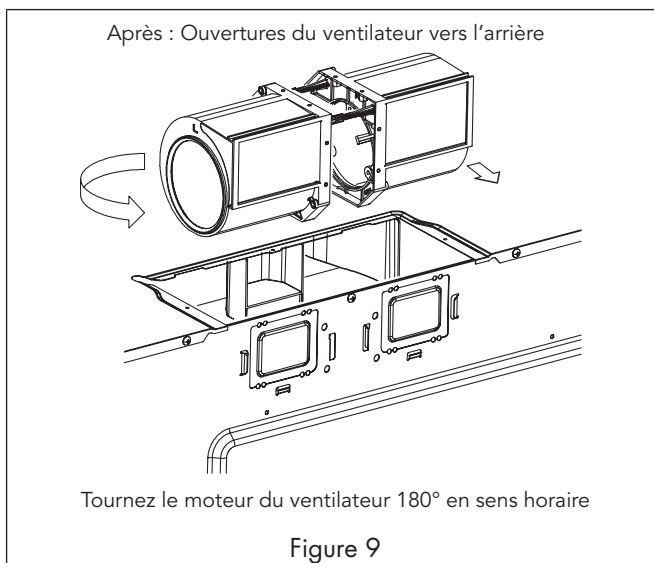
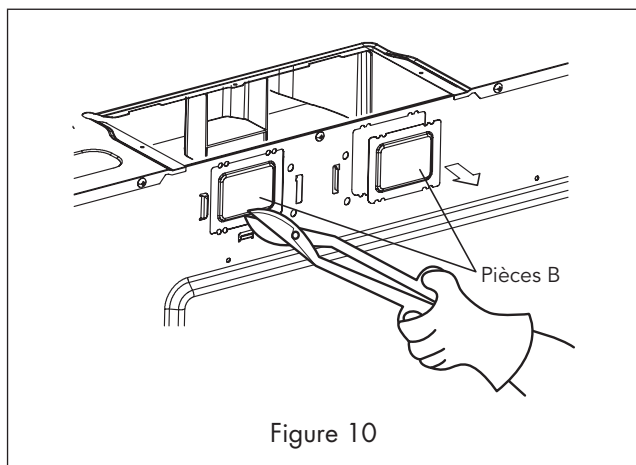


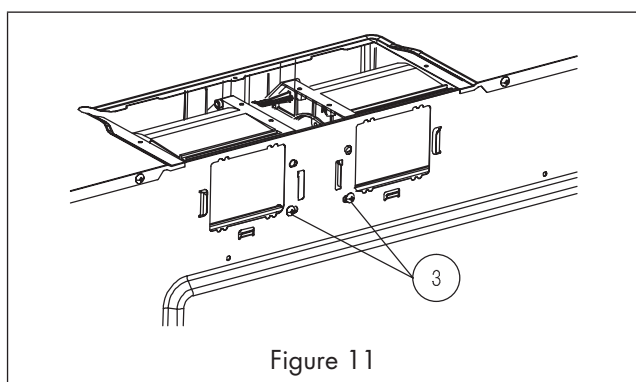
Figure 9

- Utilisez une pince coupante diagonale ou une cisaille à tôle pour découper et retirer les pièces B de la plaque arrière. Faites attention de ne pas déformer la plaque. Voir la Figure 10.

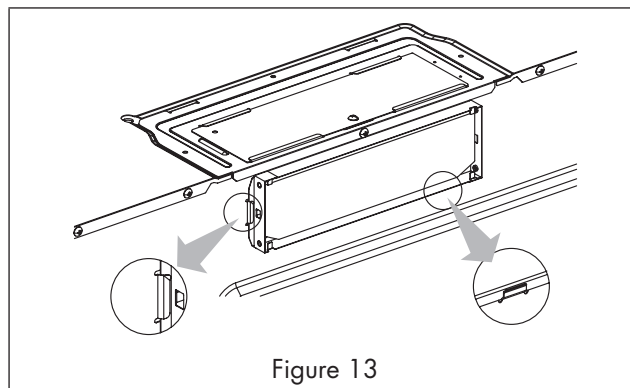
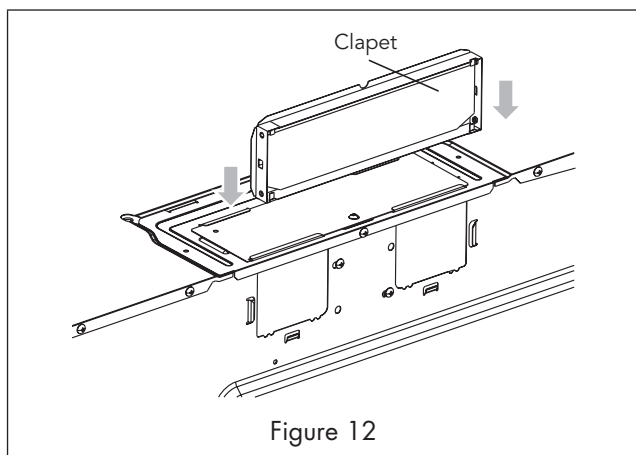


ÉTAPE 4

- Placez le ventilateur dans l'ouverture et fixez-le au four avec les vis (3) de l'étape 2. Voir la Figure 11.



- Alignez précisément l'ouverture du four à micro-ondes et le clapet et fixez ce dernier à la plaque arrière en le glissant dans les guides de la plaque arrière. Voir les Figures 12 et 13.



Assurez-vous que la charnière du clapet est en haut et que le clapet bascule librement dans la sortie murale.

C. Système de ventilation vertical

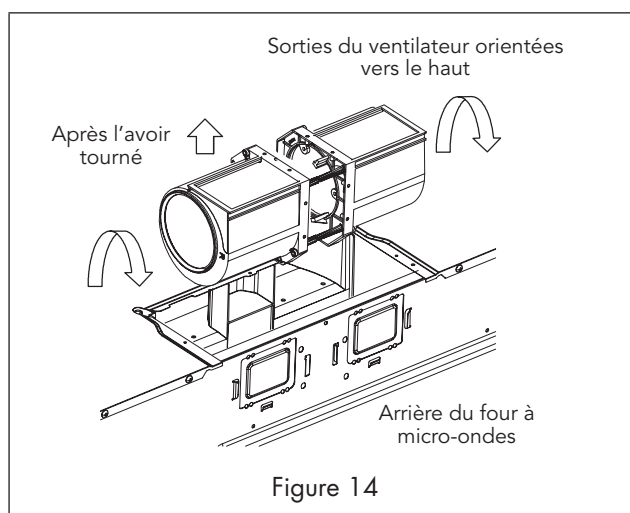
L'appareil est expédié prêt à être utilisé en mode de recirculation.

ÉTAPES 1 & 2

- A-1 Moteur du ventilateur. Voir la Figure 8

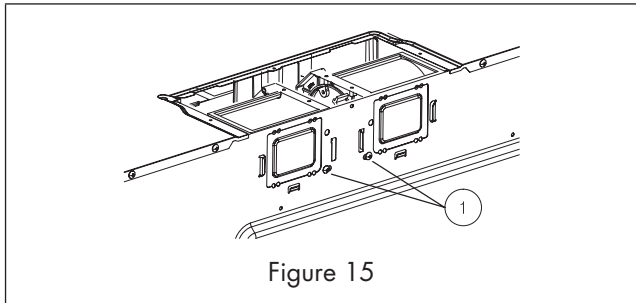
ÉTAPE 3

- Tournez le ventilateur afin que les sorties soient tournées vers le haut. Voir la Figure 14.

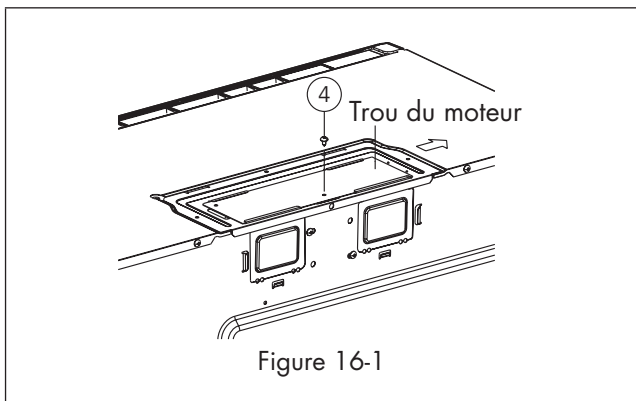


ÉTAPE 4

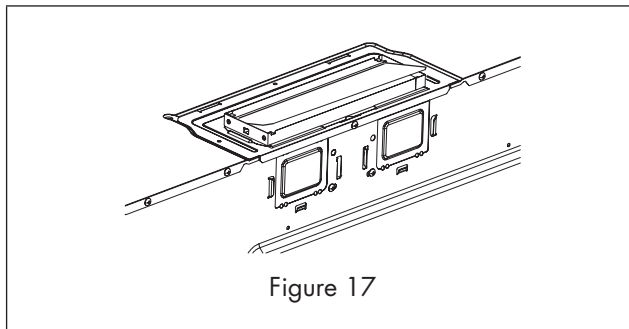
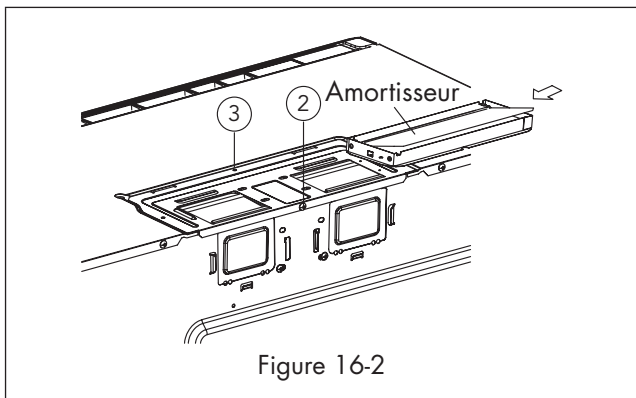
- Placez le ventilateur dans l'ouverture.
- Fixez le couvercle du moteur du ventilateur au four à micro-ondes avec les vis (1, 2 et 3) des étapes 1 et 2. Voir la figure 15.



- Retirez la vis (4) du capot du moteur du ventilateur et conservez les vis. Retirez le trou du couvercle du couvercle du moteur de la soufflante. Voir la figure 16-1.



- Faites correspondre avec soin l'emplacement de l'orifice d'évacuation du four à micro-ondes et fixez l'amortisseur au capot du moteur du ventilateur en le faisant glisser dans les guides situés sur le capot du moteur du ventilateur. Voir les figures 16-2 et 17.



Assurez-vous que la charnière de l'amortisseur est à l'avant et que l'amortisseur bascule librement dans la sortie verticale.

8. Installation du four

CE FOUR NE PEUT PAS ÊTRE INSTALLÉ CORRECTEMENT SANS CONSULTER LES INSTRUCTIONS DE MONTAGE IMPRIMÉES SUR LES DEUX GABARITS.

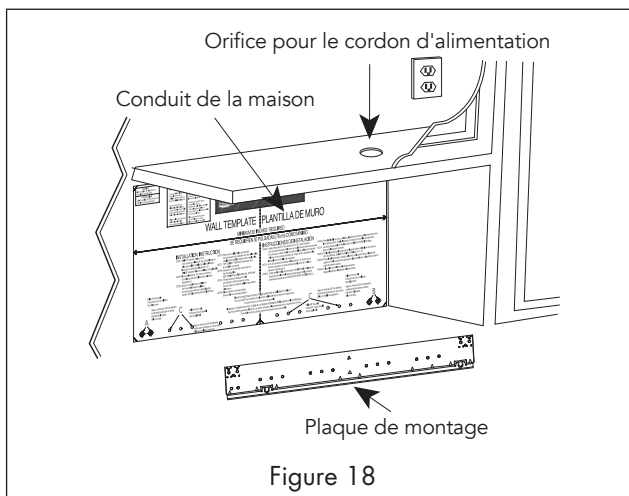
LISEZ ET SUIVEZ LES INFORMATIONS DE MONTAGE IMPRIMÉES SUR LES GABARITS POUR L'ARMOIRE SUPÉRIEURE ET LE MUR.

Plaque de montage

ÉTAPE 1 - POSITION DE MONTAGE

- Tracez une ligne le long du centre des montants (voir Construction du mur, page 1).
- Tracez une ligne verticale sur le mur au centre de l'espace de 30 po. Voir la Figure 18.

REMARQUE : Utilisez le gabarit mural pour le mur arrière. Reportez-vous au gabarit mural avant de poursuivre. L'installation de ce produit nécessite le concours de deux personnes.



ÉTAPE 2 - PERÇAGE DES TROUS

Reportez-vous au gabarit mural.

ÉTAPE 3 - SERRAGE DES VIS

Pour fixer la plaque de montage au mur, utilisez les ensembles de boulon à ailettes et/ou les vis tire-fond :

- Insérez les boulons à travers la plaque de montage aux emplacements déterminés et ajoutez les ailettes à ressort. Voir la Figure 19.

Assurez-vous de laisser un espace d'au moins l'épaisseur du mur entre la plaque de montage et la fin de l'écrou à ailettes (en position fermée). Si vous ne laissez pas cet espace, l'écrou à ailettes ne pourra pas s'ouvrir de l'autre côté du mur.

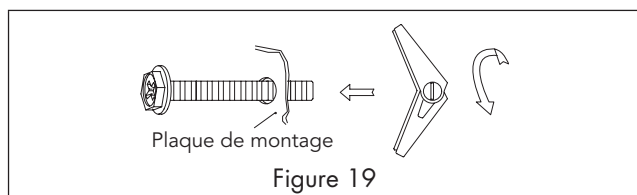


Figure 19

- Mettez en place la plaque de montage sur le mur et insérez les boulons à ailettes assemblés dans les trous percés dans le mur ou commencez à visser les vis tire-fond dans le(s) montant(s) du mur. Voir la Figure 20.

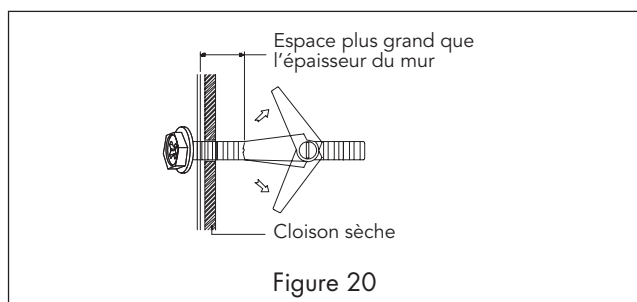


Figure 20

- Ensuite, fixez la plaque de montage au mur en serrant les boulons à ailettes ou les vis tire-fond. Voir la Figure 21.

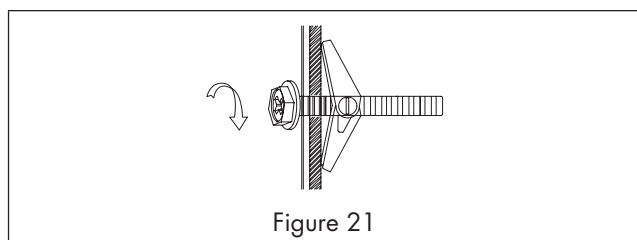


Figure 21

- Percez un ou des trous de 3/16 po de diamètre dans le ou les montants pour le(s) vis tire-fond.

(N'oubliez pas qu'il devrait y avoir au moins une vis tire-fond dans un montant.) Pour déterminer l'emplacement des montants, consultez CONSTRUCTION DU MUR en page 3.

- Serrez la/les vis tire-fond dans le(s) montant(s).

Fixation du four à micro-ondes au mur

REMARQUE : IL EST TRÈS IMPORTANT QUE LE FOUR SOIT INSTALLÉ PAR DEUX PERSONNES.

IMPORTANT : NE TENEZ OU N'UTILISEZ PAS LA POIGNÉE PENDANT L'INSTALLATION.

Préparation de l'armoire supérieure

Vous devez percer des trous pour les vis de montage supérieures et un trou suffisamment grand pour y passer le cordon d'alimentation.

Lisez les instructions sur le GABARIT DE L'ARMOIRE SUPÉRIEURE.

Fixez le gabarit sous l'armoire à l'aide de ruban adhésif.

Percez les trous conformément aux instructions sur le gabarit.

REMARQUE : Les instructions imprimées sur le GABARIT DE L'ARMOIRE SUPÉRIEURE doivent être complétées avant de poursuivre.

ÉTAPE 1

- Protégez la surface de votre cuisinière en plaçant une partie de la boîte en carton ou un autre matériau épais sur celle-ci avant de procéder à l'installation du four à micro-ondes.

ÉTAPE 2

- Soulevez le four à micro-ondes et inclinez-le vers l'avant.
- Accrochez-le aux deux languettes situées à la base de la plaque de montage. Voir la Figure 22.

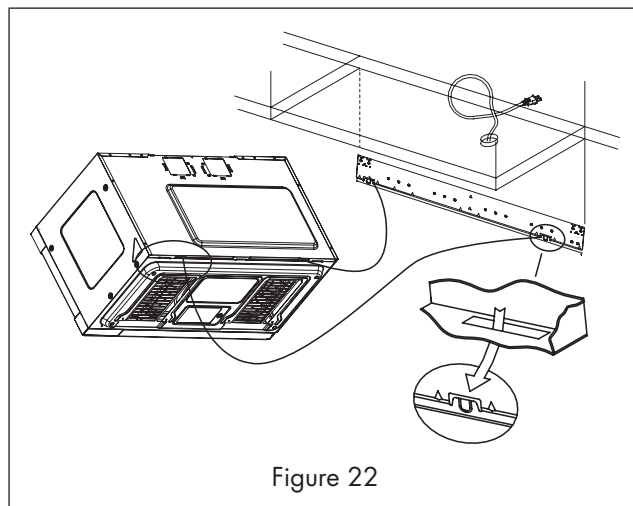


Figure 22

ÉTAPE 3

- Acheminez le cordon d'alimentation à travers l'orifice dans la base de l'armoire supérieure.
- Basculez l'appareil vers le haut pour qu'il rejoigne le dessus de la plaque de montage et tenez-le fermement. Voir la Figure 23.

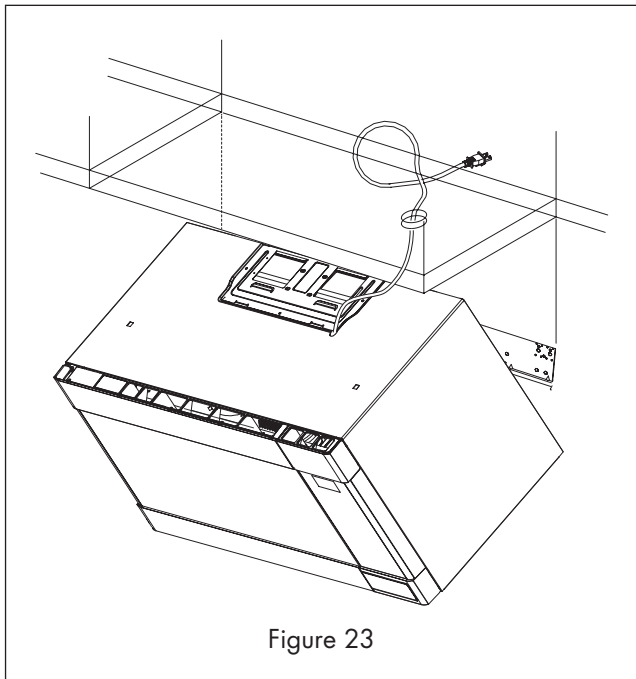


Figure 23

ÉTAPE 4

- Insérez ensuite un boulon dans chacun des trous percés dans l'armoire supérieure.
- Serrez les boulons jusqu'à ce que l'écart entre l'armoire et le four à micro-ondes se referme complètement. Voir la Figure 24.

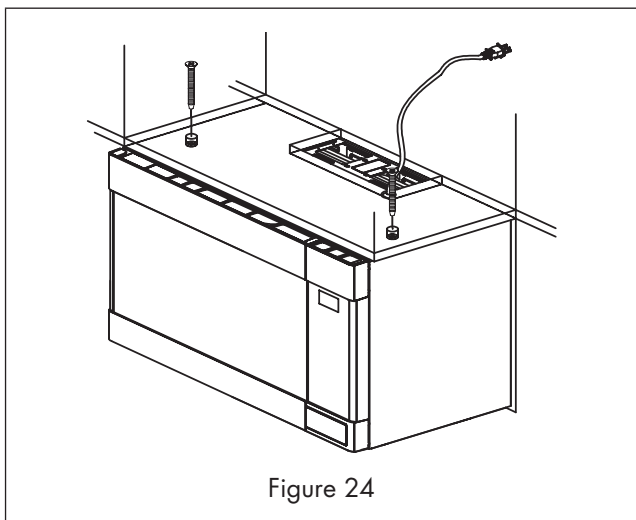


Figure 24

Connecting Ductwork

- Abaissez le conduit de la maison pour le raccorder à l'adaptateur d'échappement. Scellez les joints du tuyau de sortie avec du ruban à conduits. Voir la Figure 25.

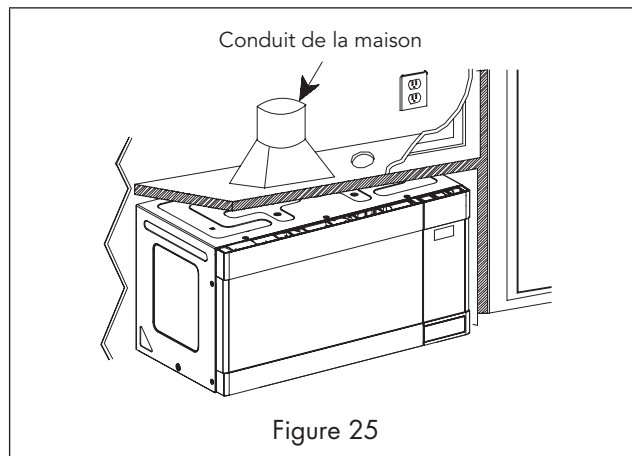


Figure 25

Comment remplacer le filtre à charbon

1. Débranchez le four à micro-ondes ou coupez le courant directement au panneau de distribution électrique.
2. Retirez les 3 vis de montage de la grille d'aération et ouvrez la porte. Voir la Figure 26.

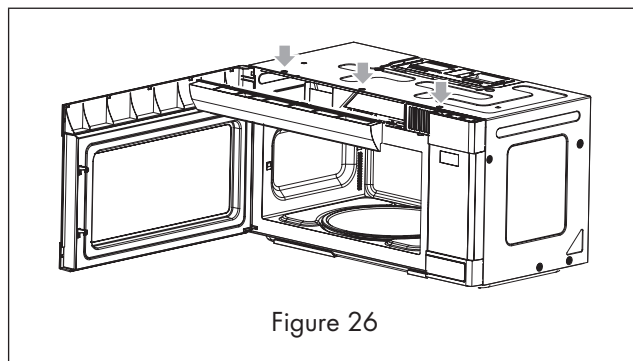
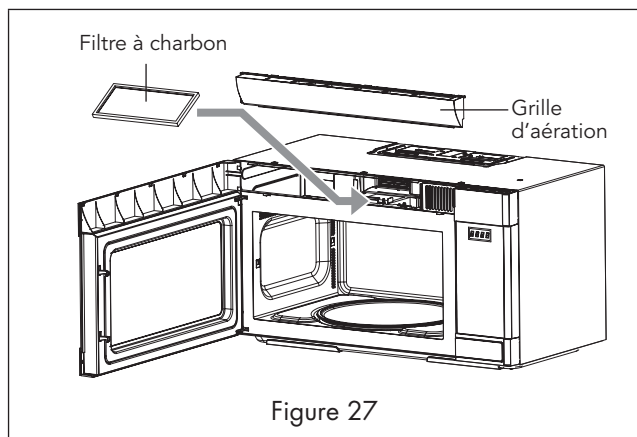


Figure 26

3. Glissez la grille à air vers la gauche, puis tirez pour l'enlever.
4. Poussez le filtre à charbon vers l'arrière et retirez-le.

5. Glissez en place un filtre à charbon neuf. Le filtre devrait reposer avec un angle d'inclinaison. Voir la Figure 27.



6. Remplacez la grille d'aération et les 3 vis de montage et fermez la porte.
7. Rebranchez le four à micro-ondes ou remettez le courant.

LISTE DE VÉRIFICATION POUR LE FONCTIONNEMENT

1. Vérifier que l'appareil a été installé conformément à toutes les Instructions d'installation et celles du Gabarit de l'armoire supérieure et du Gabarit mural.
2. Le cas échéant, retirer du four le matériel d'emballage restant.
3. Brancher le cordon d'alimentation.
4. Lire le Manuel d'utilisation.
5. Garder toutes les instructions d'installation à l'intention de l'inspecteur en électricité.

ACCESSOIRES

Consultez votre revendeur ou commandez directement du Centre à fournitures et accessoires de Fulgor Milano .

FILTRE À CHARBON (CFOR3). Le filtre est utilisé uniquement lorsque l'échappement est en mode de recirculation d'air.

FULGOR
MILANO

YOUR LIFE | OUR PASSION

www.fulgor-milano.com/us

TINSKB287MRR0 _ 6/26/19