

# SOFIA PROFESSIONAL 600 SERIES 48"



CODE ID

48" PROFESSIONAL INSERT HOOD

**F6BP46DS1**



Filtering



CFM max 1000



6 LED lamps



Noise Level 75 (dB)



Ceiling installation

## INSERT HOOD

Scotch brite stainless steel (AISI 430)  
Heavy Duty Control Panel with Knobs  
LED lighting: Led 6x1,2 W - 3200 K  
4 + 4 Speed - Mechanical Control  
Baffle filter  
Dual fan motors - CFM max 1000  
75 dB sound rating

Minimum distance:

- Electric hob 20 1/2" - 52 cm
- Gas hob 24 3/4" - 63 cm

Overall dim - width 45-3/4" - 116 cm  
Overall dim - height 13-1/8" - 33 cm  
Overall dim - depth 18-1/2" - 47 cm

Cut out (wxd) 43-7/16" x 16-1/2"  
Cut out (wxd) 110.3 x 41.9 cm

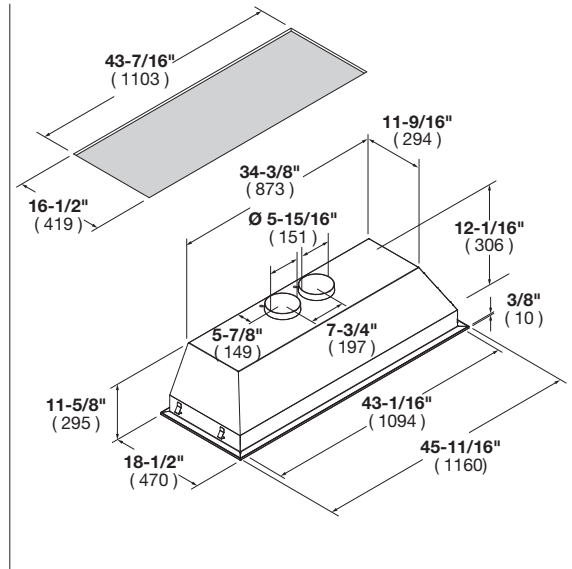
Gross weight 68 lbs - 31 kg  
Net weight 57 lbs - 26 kg  
W rating 540 W - 4.70 A  
Power cord + Plug

## OPTIONAL ACCESSORIES

FMFIL Charcoal filter

# SOFIA

48" PROFESSIONAL INSERT HOOD



CODE ID	F6BP46DS1 - 48" PROFESSIONAL INSERT HOOD	
Series and Finish	600 Series - Professional insert Hood - Stainless Steel (AISI 430)	
<b>CONTROL PANEL</b>		
Control Type	4+4 speed mechanical control	
<b>PERFORMANCES</b>		
Output (CFM)	1000	
Sound Level (dB)	75	
Motor	Twin Motor	
Venting Type	Ducted and recirculating	
<b>FEATURES</b>		
Filter Style	Pro Baffle	
Lighting	6 x 1.2W LED	
Single duct diameter	5 - 15/16"	(150 mm)
<b>DIMENSIONS/WEIGHT</b>		
Overall dim - Width	45 - 3/4"	(116 mm)
Overall dim - Height	13 - 1/8"	(33 mm)
Overall dim - Depth	18 - 1/2"	(47 mm)
Cut-out (w x d)	43 - 7/16" x 16 - 1/2"	(1092 x 419 mm)
Gross Weight	68 lbs	(31 kg)
Net Weight	57 lbs	(26 kg)
<b>POWER / RATINGS (115 V, 60 HZ)</b>		
Watts / Amps	540W - 4.70A	
Power Cable	Nema 5-15P	
<b>INSTRUCTIONS FOR USE</b>		
Use & Care Manual / Installation Manual	English / French / Spanish	