

BUILT-IN WINE CELLAR 24"

24" OVERLAY BUILT-IN WINE CELLAR



CODE ID

F7IWC2401-R (RIGHT HINGE)

CODE ID

F7IWC2401-L (LEFT HINGE)



RIGHT HINGE



LEFT HINGE



80 Bottles Capacity



Integrated Installation



LED lighting



Integrated Installation



Holiday Mode

Features

Both beautiful and functional, our overlay wine columns allow for custom panel installation to provide a completely integrated look with adjacent cabinets. Wine preservation is critical to us and like our other premium refrigeration we combine the latest technology to ensure the highest performance. A dedicated compressor and dual evaporators provide independently controlled cooling zones with consistent and precise temperatures throughout. A solid triple layer of UV protected glass on the Wine Cellar protects contents from harmful UV light, external temperatures and humidity changes which can be damaging to your wine.

SPECIFICATIONS

Panel Ready Exterior
Two temperature zones
12 Natural wood shelves for 80 bottles total storage capacity
Luminous white interior
Multilevel LED lighting

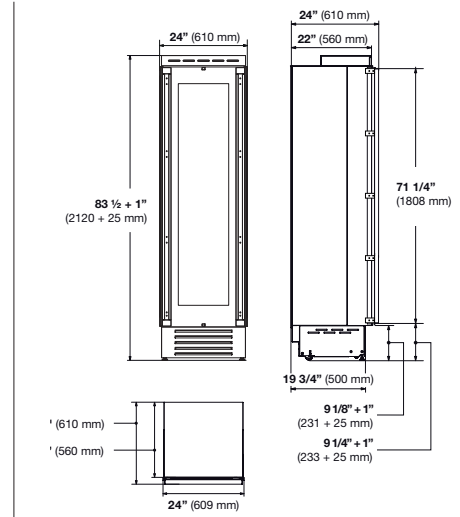
OPTIONAL ACCESSORIES

REFHANDPROCOL
Sofia Professional Handle Kit

REFHANDISCOL
Distinto Handle Kit

REFRIGERATION

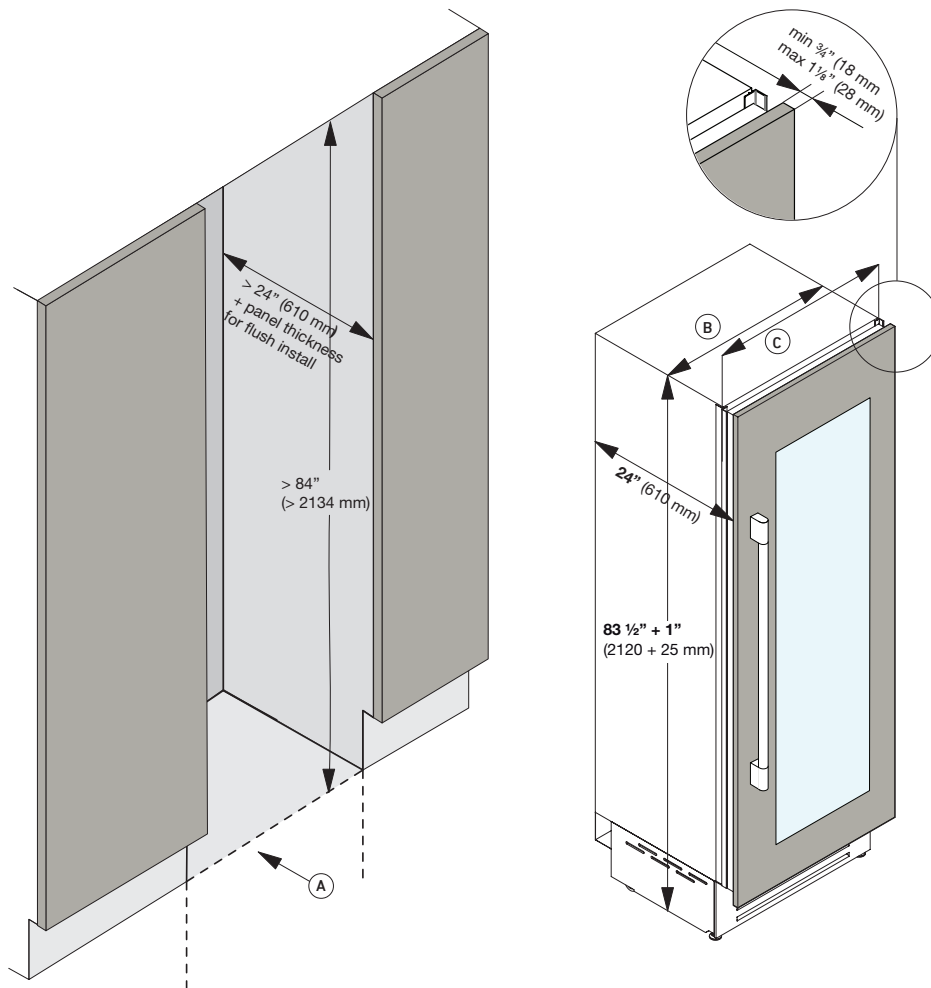
BUILT-IN WINE CELLAR



CODE ID		24" OVERLAY BUILT-IN WINE CELLAR F7IWC24O1-L (LEFT HINGE) F7IWC24O1-R (RIGHT HINGE)	
Finish	Panel Ready Exterior with glass		
PERFORMANCES/CAPACITY			
Annual Energy Usage	475 kWh/yr		
Interior capacity	80 bottles		
FEATURES			
Shelves	12 wooden racks		
Cooling system	2 temperature zones		
LED lighting	•		
Humidity control	•		
DIMENSIONS/WEIGHT			
Width in	24"	610 mm	
Height in	83 - 1/2"	2120 mm	
Depth without handle in	24"	610 mm	
Minimum niche height in	84 - 1/2"	2145 mm	
Door clearance in	46 - 3/4"	1187 mm	
Door opening angle	100°		
Net Weight	293 lbs	133 kg	
POWER / RATINGS (115 V, 60 HZ)			
Watts / Amps	152W - 1.5A		
Power Cable	Nema 5-15P		
INSTRUCTIONS FOR USE			
Use & Care Manual / Installation Manual	English / French / Spanish		

WINE CELLAR 24"

NICHE SPECIFICATIONS AND DIMENSIONS



TECHNICAL DATA

(A) Niche Width	24" (610 mm)
(B) Unit Width	23" 1/8 (587 mm)
(C) Unit Width with lateral frames	24" (609 mm)

ELECTRICAL AND WATER CONNECTIONS

