

# FAB32ULPB3



<b>Product family</b>	Refrigerator
<b>Installation</b>	Free-standing
<b>Category</b>	Bottom mount
<b>No-frost system</b>	Total
<b>Cooling type</b>	No Frost
<b>Defrost</b>	Automatic
<b>Hinge position</b>	Left
<b>EAN code</b>	8017709272005



## Aesthetic

<b>Aesthetics</b>	Retro-style	<b>Logo</b>	Applied
<b>Color</b>	Pastel blue	<b>Door shelf profile color</b>	Chromed
<b>Finishing</b>	Glossy	<b>Drawers profile color</b>	Chromed
<b>Handle color</b>	Chromed	<b>Glass shelf profile color</b>	Chromed
<b>Side material</b>	Steel	<b>Display</b>	7 segment
<b>Side color</b>	Pastel blue		

## Refrigerator compartment features



<b>No. of adjustable shelves</b>	3	<b>Type of crisper cover</b>	Glass
<b>Number of fruit and vegetables drawers</b>	1	<b>LifePlus zone - 32°F</b>	Yes
<b>Type of adjustable shelves</b>	Glass	<b>Refrigerator lighting</b>	Yes
<b>Crisper drawer type</b>	Standard	<b>Refrigerator lighting</b>	LED
<b>Crisper cover</b>	Yes		

## Refrigerator Inner Door

<b>No. of door shelves with transparent cover</b>	1	<b>No. of bottle shelves</b>	1
<b>Number of adjustable door shelves</b>	2	<b>Door bin with wire support</b>	Yes

Adjustable door bins with wire support Yes

## Other Refrigerator features



Accessories  
MultiFlow

Egg tray  
Yes

Fan

Yes

## Freezer features

Number of drawers 2  
No. of compartments with flap 1

Shelf type Plastic

## Other Freezer features



Accessories

1 x ice box

Fast-freezing compartment

Yes

## Other technical features



Display functions

Holiday, Fast-freezing, Fast-cooling, ECO, Temperature alarm

Fast-freezing button

Yes

Power-on light

Yes

Temperature alarm

Yes

Door open alarm

Acoustic and visual

Temperature Alarm

Yes

Temperature setting type

Electronic

No. of compressors

1

Refrigerant gas type

R600a

Compressor type

Inverter

Refrigerant quantity

2.1 oz

Foam agent

Cyclopentane

## Performance / Energy Label NEW

Noise level 37 dB(A) re 1 pW

Freezer capacity 3.99 cu. ft.

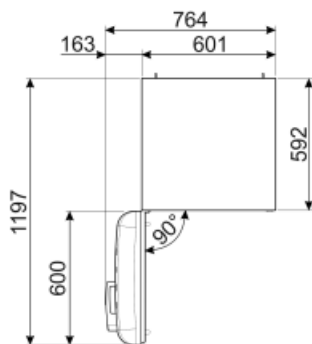
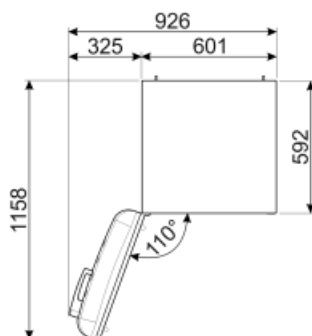
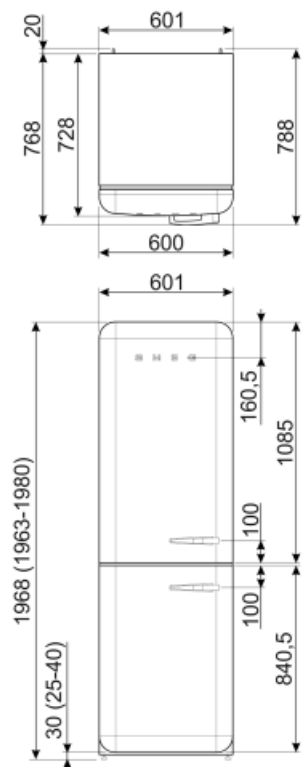
## Electrical Connection

Plug (A) USA & Mexico











Voltage (V) 115 V

Electrical connection rating 127 W  
Current 1.2 A

Frequency (Hz) 50/60 Hz  
Power cord length 70 7/8 "



## Symbols glossary (TT)

	The automatic defrost system works by automatically defrosting at regular intervals eliminating the need to defrost altogether.		Economical mode: Analyzes fridge functioning during the activation and optimizes the operating cycle in order to reduce power consumption.
	Ventilated: Forced distribution of cold air in the refrigerator compartment, which allows even temperature distribution within the fridge.		Fast freezing: The fast freezing function brings the temperature of the compartment down when activated a few hours prior to usage.
	Power saving mode: The power saving mode allows you to disable the refrigerator and keep the freezer working.		LED interior lighting: is a more energy efficient and long lasting way of illuminating the interior of the appliance.
	Life Plus 0°C: The temperature in the Lifeplus compartments is kept at 0°C, which preserves fresh meat and fish longer.		Inverter technology: The evolution of Smeg's driers towards more intelligent and environmentally sustainable models has led to the choice of using Inverter technology with heat pumps, which reduces significantly energy consumption.
	Air plus: keeps food fresher for longer.		No Frost: The No Frost and Frost free systems prevent ice from forming so that no defrosting is required.