

# FAB38URPB



<b>Product family</b>	Refrigerator
<b>Installation</b>	Free-standing
<b>Category</b>	Bottom mount
<b>No-frost system</b>	Total
<b>Cooling type</b>	Total no-frost - Dual-flow cooling system
<b>Defrost</b>	Automatic
<b>Hinge</b>	Standard
<b>Hinge position</b>	Right
<b>EAN code</b>	8017709291464



## Aesthetic



<b>Aesthetics</b>	Retro-style	<b>Logo</b>	Applied
<b>Color</b>	Pastel blue	<b>Door shelf profile color</b>	Silver
<b>Finishing</b>	Glossy	<b>Drawers profile color</b>	Silver
<b>Design</b>	Rounded	<b>Glass shelf profile color</b>	Silver
<b>Handle color</b>	Chromed	<b>Display</b>	LED
<b>Side material</b>	Steel	<b>Display position</b>	Internal
<b>Side color</b>	Pastel blue	<b>Available colors</b>	Pastel blue, White, Black, Cream, Red, Pastel green

## Refrigerator compartment features



<b>No. of adjustable shelves</b>	3	<b>Type of crisper cover</b>	Glass
<b>Number of fruit and vegetables drawers</b>	1	<b>LifePlus zone - 32°F</b>	28° to 37°F
<b>Type of adjustable shelves</b>	Glass	<b>Refrigerator lighting</b>	Yes
<b>Crisper drawer type</b>	Sliding crisper	<b>Refrigerator lighting</b>	LED
<b>Crisper cover</b>	Yes		

## Refrigerator Inner Door

<b>Number of adjustable door shelves</b>	3	<b>No. of bottle shelves</b>	1
--	---	------------------------------	---

## Other Refrigerator features



<b>MultiFlow</b>	Yes	<b>Fan</b>	Yes
------------------	-----	------------	-----

## Freezer features

<b>Number of drawers</b>	2	<b>No. of compartments with flap</b>	1
<b>No. of shelves</b>	2	<b>Shelf type</b>	Glass

## Other Freezer features



<b>Ice-maker</b>	Yes	<b>Fast-freezing compartment</b>	Yes
<b>Ice maker</b>	Manual		

## Other technical features



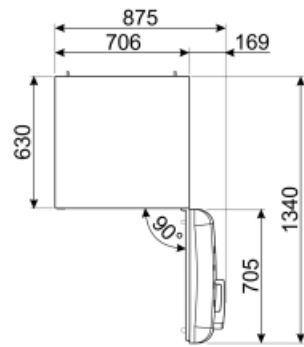
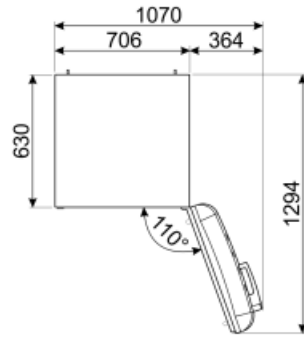
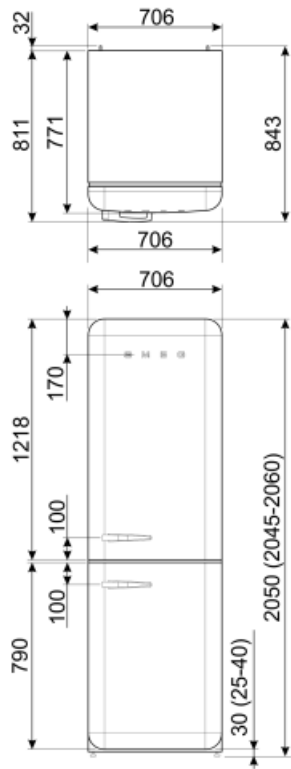
<b>Display functions</b>	Fast-freezing, ECO, Temperature alarm
<b>Fast-freezing button</b>	Yes
<b>Temperature alarm</b>	Yes
<b>Door open alarm</b>	Acoustic and visual
<b>Temperature Alarm</b>	Yes
<b>Temperature setting type</b>	Electronic
<b>No. of compressors</b>	1
<b>Refrigerant gas type</b>	R600a
<b>Compressor type</b>	Inverter
<b>Refrigerant quantity</b>	1.5 oz
<b>Foam agent</b>	Cyclopentane

## Performance / Energy Label NEW










<b>Noise level</b>	42 dB(A) re 1 pW	<b>Climatic class</b>	SN, N, ST, T
--------------------	------------------	-----------------------	--------------

## Electrical Connection

<b>Plug</b>	(A) USA & Mexico	<b>Frequency (Hz)</b>	60 Hz
<b>Current</b>	2.3 A	<b>Power cord length</b>	70 7/8 "
<b>Voltage (V)</b>	120 V		



## Symbols glossary (TT)

	The automatic defrost system works by automatically defrosting at regular intervals eliminating the need to defrost altogether.		LED display: to show programmes, functions and options selected and the time to the end of the cycle.
	Economical mode: Analyzes fridge functioning during the activation and optimizes the operating cycle in order to reduce power consumption.		Ventilated: Forced distribution of cold air in the refrigerator compartment, which allows even temperature distribution within the fridge.
	Fast freezing: The fast freezing function brings the temperature of the compartment down when activated a few hours prior to usage.		LED interior lighting: is a more energy efficient and long lasting way of illuminating the interior of the appliance.
	Life Plus 0°C: The temperature in the Lifeplus compartments is kept at 0°C, which preserves fresh meat and fish longer.		Inverter technology: The evolution of Smeg's driers towards more intelligent and environmentally sustainable models has led to the choice of using Inverter technology with heat pumps, which reduces significantly energy consumption.
	Air plus: keeps food fresher for longer.		