

Installation Guide



Integrated Refrigerator / Freezer

7 SERIES

VBI7360
FBI7360
MVBI7360

Table of Contents

| | |
|--|----|
| Warnings and Important Information _____ | 3 |
| Professional Bottom-Freezer | |
| Dimensions _____ | 5 |
| Specifications _____ | 6 |
| Cutout Dimensions _____ | 7 |
| Anti-Tip Dimensions (36") _____ | 9 |
| General Information | |
| Electrical Requirements _____ | 10 |
| Water Requirements _____ | 11 |
| Unpacking & Moving _____ | 12 |
| Installation | |
| Door/Drawer Panel Adjustments _____ | 12 |
| Custom Front Panel Dimensions _____ | 13 |
| Custom Front Panel Install _____ | 14 |
| Water Line Installation _____ | 15 |
| Leveling Unit _____ | 17 |
| Kickplate Installation _____ | 17 |
| Flush Mount Side Trim _____ | 18 |
| Door Stop Adjustment _____ | 19 |
| System Specifications and Data _____ | 21 |
| Performance Checklist _____ | 21 |
| Control Panels _____ | 21 |
| Service & Registration _____ | 22 |

IMPORTANT – Please Read and Follow!

- Make sure that incoming voltage is the same as unit rating. An electric rating plate specifying voltage, frequency, wattage, amperage, and phase is attached to the product.
- To reduce the risk of fire, electrical shock, or injury to persons, installation work and electrical wiring must be done by a qualified technician in accordance with all applicable codes and standards, including fire-rated construction.
- The installer should leave these instructions with the consumer who should retain them for local inspector's use and for future reference.

For additional information or installation videos, visit our website at www.vikingrange.com

Your safety and the safety of others is very important.

We have provided many important safety messages in this manual and on your appliance. ALWAYS read and obey all safety messages.



This is the safety alert symbol. This symbol alerts you to hazards that can kill or hurt you and others.

All safety messages will be preceded by the safety alert symbol and the word "DANGER" or "WARNING." These words mean:

DANGER

You will be killed or seriously injured if you don't follow instructions.

WARNING

You can be killed or seriously injured if you don't follow instructions.

All safety messages will identify the hazard, tell you how to reduce the chance of injury, and tell you what can happen if the instructions are not followed.

It is your responsibility to:

- comply with installation specifications and dimensions.
- properly install unit.
- remove any moldings or decorative panels that prevent the unit from being serviced.
- make sure that you have these materials (not provided with your unit), which are necessary for proper installation:
 - 1/4" (6 mm) copper tubing with shutoff valve
 - 1– Saddle valve (do not use self-piercing feature of the valve)
- assure that floor will support unit, door panels and contents (approximately 1200 pounds [540 kg]).
- provide a properly grounded electrical outlet.
- assure that location will permit appliance doors to open 90° minimum.

Required tools

- Drill
- Drill bits - 3" Phillips (Ph2), Torx (T15 & T20), 1/4" and 5/16" hex drive
- Rubber mallet
- 3/8" wrench

IMPORTANT – Please Read and Follow!


A GFI shall be used if required by NFPA-70 (National Electric Code), federal/state/local laws, or local ordinances.

- The required use of a GFI is normally related to the location of a receptacle with respect to any significant sources of water or moisture.
- Viking Range, LLC will **NOT** warranty any problems resulting from GFI outlets which are not installed properly or do not meet the requirements below.

If the use of a GFI is required, it should be:

- Of the receptacle type (breaker type or portable type **NOT** recommended)
- Used with permanent wiring only (temporary or portable wiring **NOT** recommended)
- On a dedicated circuit (no other receptacles, switches or loads in the circuit)
- Connected to a standard breaker of appropriate size (GFI breaker of the same size **NOT** recommended)
- Rated for Class A (5 mA +/- 1 mA trip current) as per UL 943 standard)
- In good condition and free from any loose-fitting gaskets (if applicable in outdoor situations)
- Protected from moisture (water, steam, high humidity) as much as reasonably possible

⚠ WARNING



ELECTRICAL SHOCK HAZARD
Disconnect power or turn power disconnect switch to OFF position before removing top grille. Failure to do so can result in death or electrical shock.

⚠ WARNING



TIP OVER HAZARD
Appliance is top heavy and tips easily when not completely installed. Keep doors closed until appliance is completely installed and secured per installation instructions.
Use two or more people to move and install appliance. Failure to do so can result in death or serious injury.

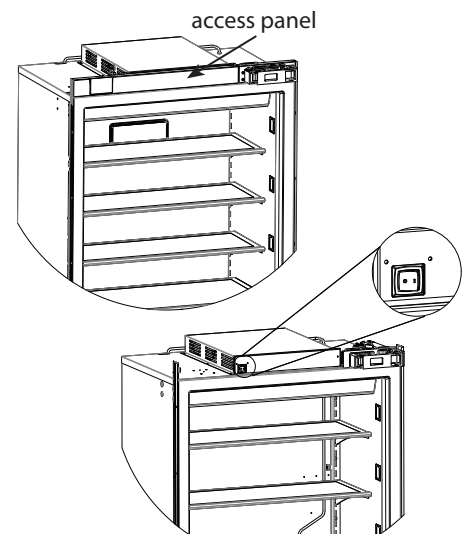
Power On/Off Switch

Your unit is shipped with the power switch on. When first plugged in, the display will flash. Push any button to initiate display.

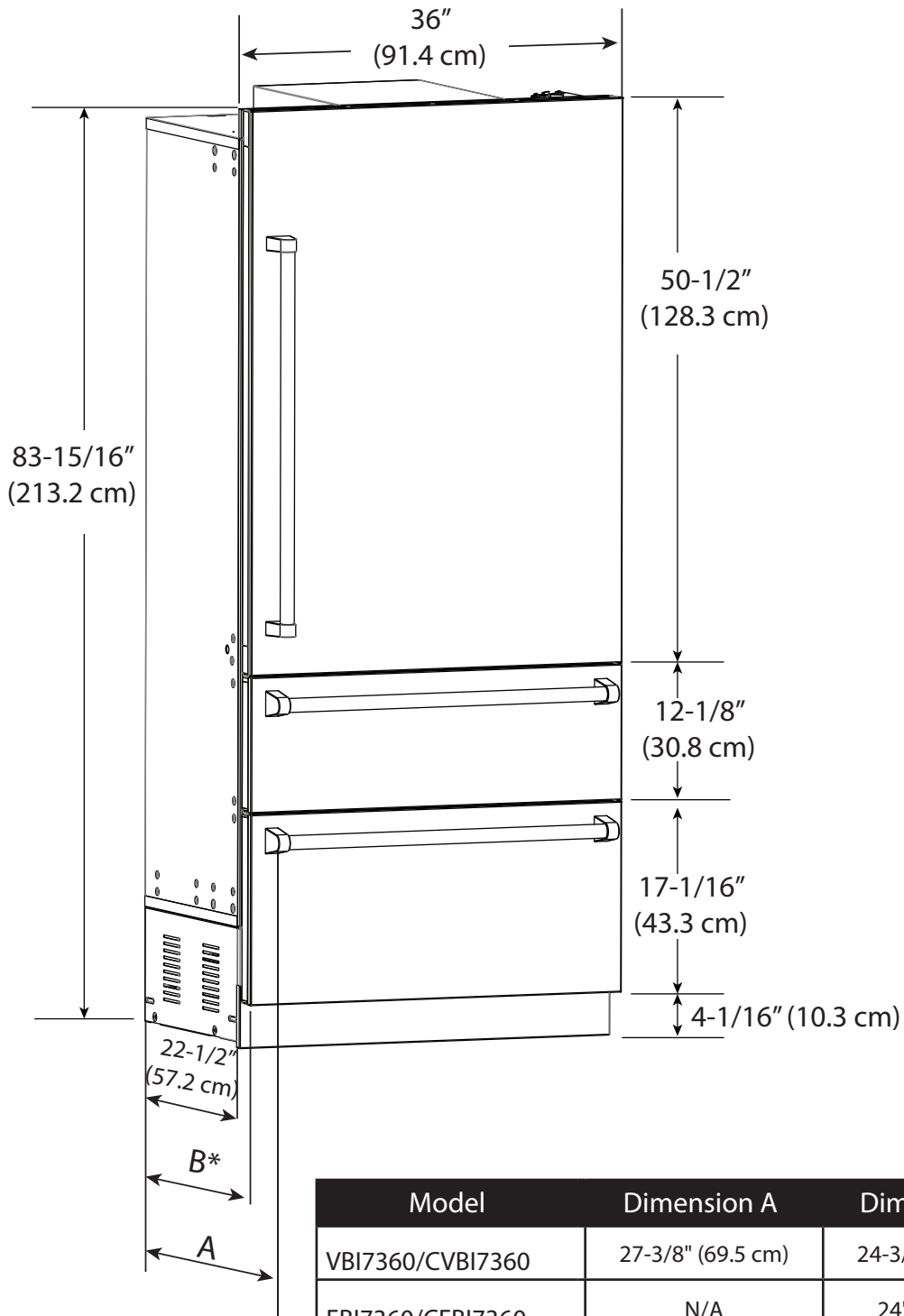
The power on/off switch is located to the left of the center behind the access panel. It is used to turn the power off when cleaning or servicing the refrigerator.

To turn power off, remove the access panel. Press the power on/off switch to the off position.

To turn power on, press power on/off switch to the on position. Replace access panel.



Dimensions (Integrated Bottom-Freezer)



| Model | Dimension A | Dimension B* |
|--------------------|-------------------|-------------------|
| VBI7360/CVBI7360 | 27-3/8" (69.5 cm) | 24-3/4" (62.9 cm) |
| FBI7360/CFBI7360 | N/A | 24" (61.0 cm) |
| MVBI7360/CMVBI7360 | 27" (68.5 cm) | 24-3/4" (62.9 cm) |

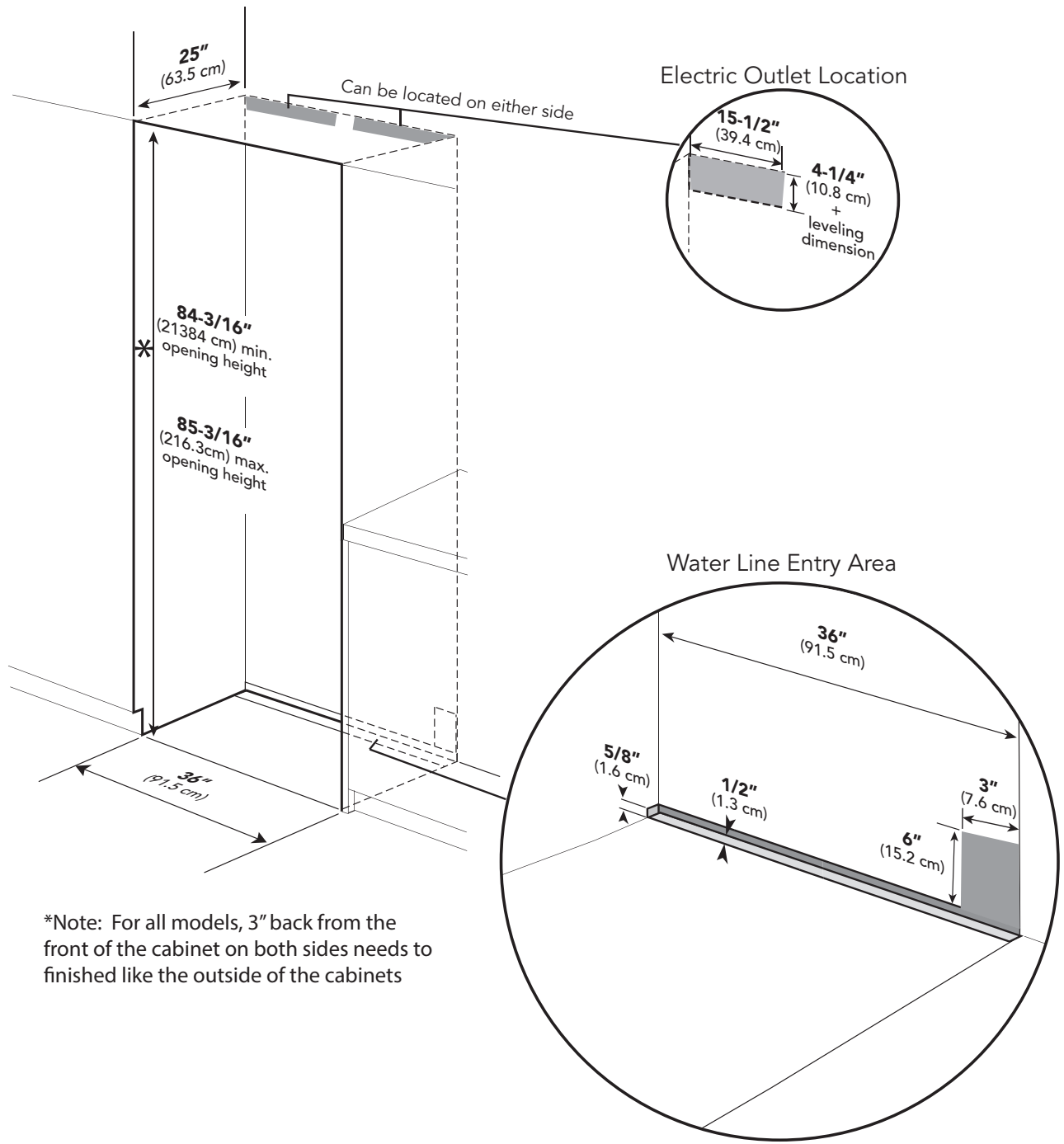
*To outside of door panel

Specifications (Integrated Bottom-Freezer)

| 36" Integrated Refrigerator/Freezer | | |
|--|---|---|
| Description | VBI7360 / CVBI7360 | MVBI7360 / CMVBI7360 |
| Overall width | 36" (91.4 cm) | |
| Overall height (from bottom) | 83-15/16" (213.2 cm) min to 84-3/4" (215.7 cm) max | |
| Overall depth from rear | To front edge kickplate: 22-1/2" (57.2 cm) To front of door panel: 24-3/4" (62.9 cm) | |
| | To front of handle endcap: 27-3/8" (69.5 cm) | To front of handle endcap: 27" (68.5 cm) |
| Cutout width | 36" (91.4 cm) | |
| Cutout height | 84-3/16" (213.8 cm) min to 85-3/16" (216.3 cm) max | |
| Cutout depth | 25" (63.5 cm) min. | |
| Electrical requirements | 115 volt, 60 Hz, 15 amp dedicated circuit; 3-wire cord with grounded 3-prong plug attached to product | |
| Maximum amp usage | 9.9 amps | |
| Inlet water requirements | 1/4" copper tubing inlet waterline; minimum 20 psi; maximum 120 psi | |
| Overall interior dimensions | | |
| Refrigerator | 13.6 cu. ft. (385.8 liters) | |
| Freezer | 6.35 cu. ft. (180.1 liters) | |
| Total capacity | 19.95 cu. ft. (565.9 liters) | |
| Approximate shipping weight | 565 lbs. (254.3 kg) | |

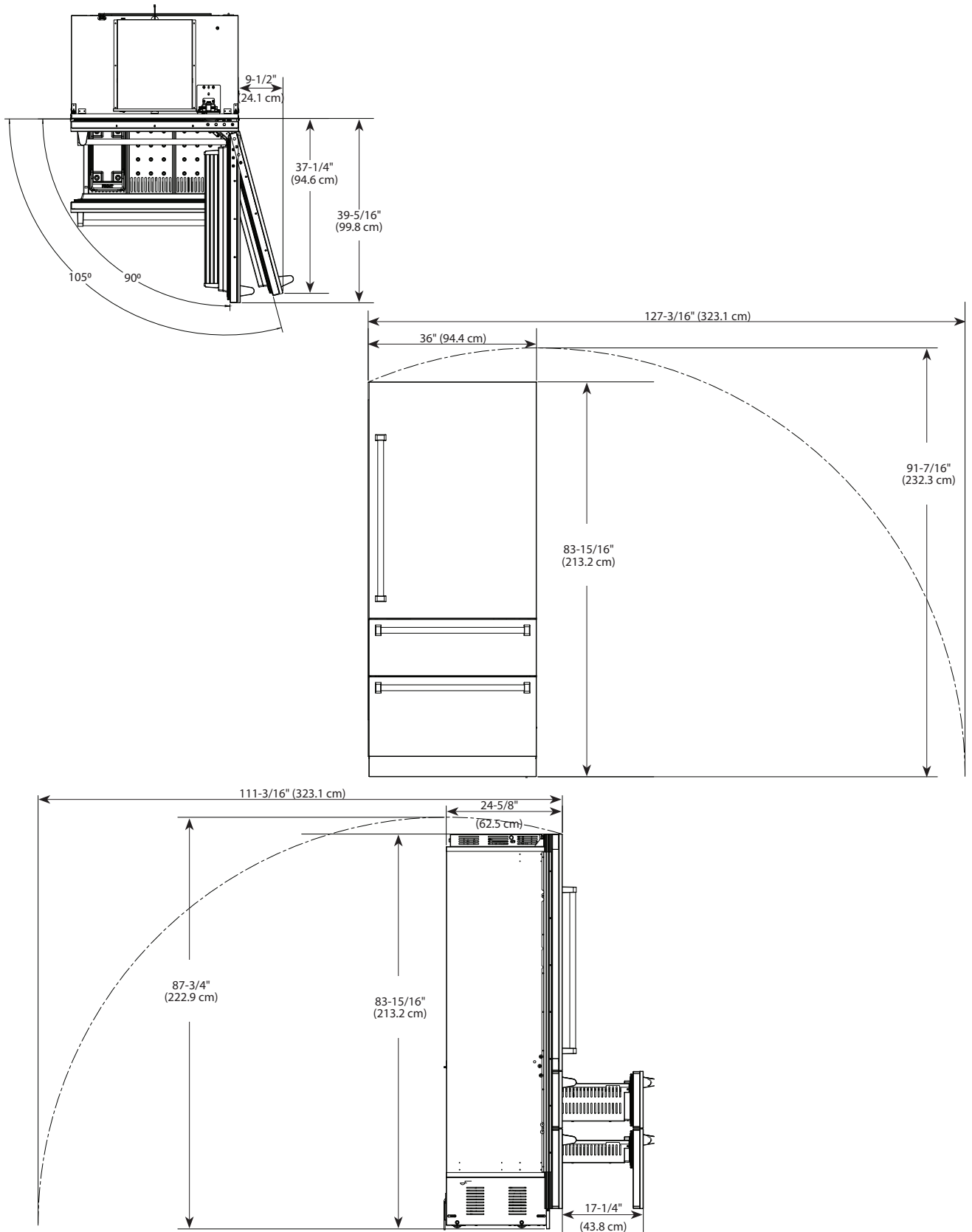
| 36" Integrated Refrigerator/Freezer w/Custom Panels | |
|--|---|
| Description | FBI7360 / CFBI7360 |
| Overall width | 36" (91.4 cm) |
| Overall height (from bottom) | 83-15/16" (213.2 cm) min to 84-3/4" (215.7 cm) max |
| Overall depth from rear | To front edge kickplate: 22-1/2" (57.2 cm) To front of door panel: 24" (61.0 cm) |
| Cutout width | 36" (91.4 cm) |
| Cutout height | 84-3/16" (213.8 cm) min to 85-3/16" (216.3 cm) max |
| Cutout depth | 25" (63.5 cm) min. |
| Electrical requirements | 115 volt, 60 Hz, 15 amp dedicated circuit; 3-wire cord with grounded 3-prong plug attached to product |
| Maximum amp usage | 9.9 amps |
| Inlet water requirements | 1/4" copper tubing inlet waterline; minimum 20 psi; maximum 120 psi |
| Overall interior dimensions | |
| Refrigerator | 13.6 cu. ft. (385.8 liters) |
| Freezer | 6.35 cu. ft. (180.1 liters) |
| Total capacity | 19.95 cu. ft. (565.9 liters) |
| Approximate shipping weight | 565 lbs. (254.3 kg) |

Cutout Dimensions (Bottom-Freezer)



*Note: For all models, 3" back from the front of the cabinet on both sides needs to be finished like the outside of the cabinets

Tipping Radius

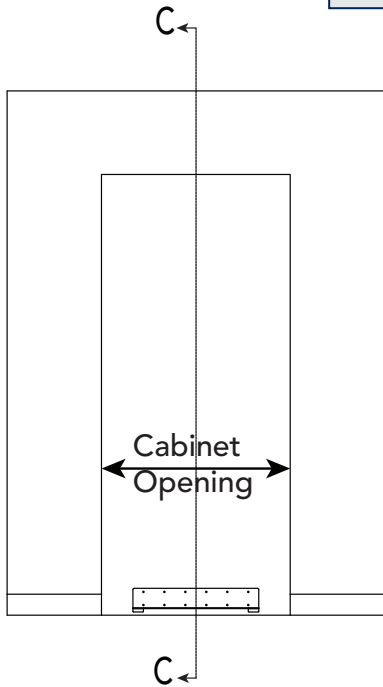


Anti-Tip Dimensions (Bottom-Freezer)

⚠ WARNING

TIP OVER HAZARD

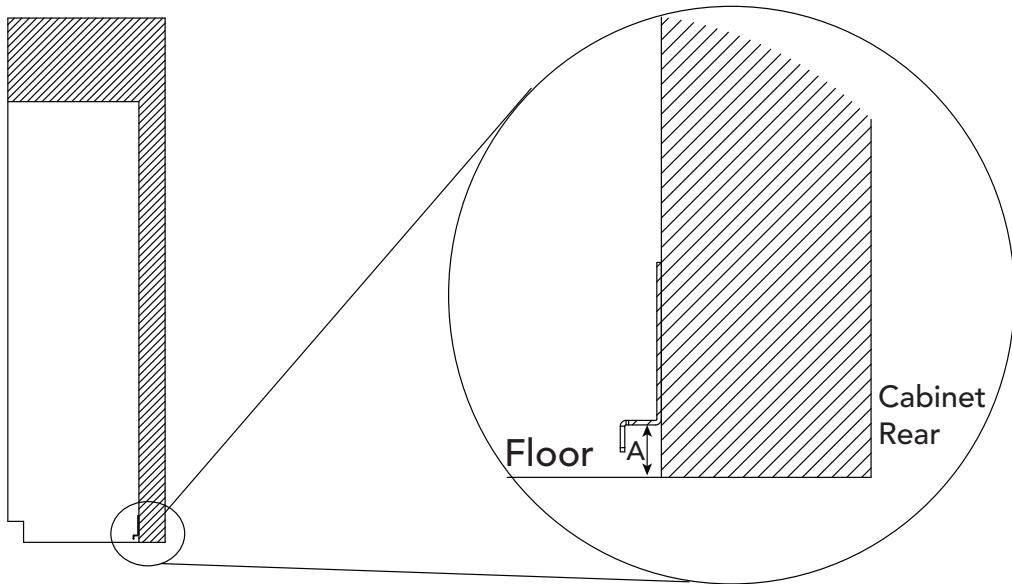
Appliance is top heavy and tips easily when not completely installed. To avoid a hazard due to instability of the appliance, it must be installed according to the instructions including the anti-tip bracket



Anti-tip Bracket

There are 12 hole locations on the anti-tip bracket. Of those 12, at least 4 places must be used.

NOTE: Number of fasteners must be suitable for load in order to prevent tipping.



Dimension A = Cabinet opening minus the refrigerator height + 1-1/4" (3.2 cm)

General Information

Area Requirements

Verify the following:

- Unit can fit into residence and can be moved around corners and through doorways.
- Floors can support unit's weight plus food weight (approximately 1200 pounds [540 kg] per unit).
- Floors underneath refrigerator are level with surrounding finished floor.
- Remove anything attached to rear or side walls that can obstruct unit installation.
- Cutout dimensions are accurate.
- Electrical outlet is in correct location.
- Water line is in correct location.
- **DO NOT** install a refrigeration unit near a heat source, nor in a location where the surrounding temperature will fall below 60° F (16° C).

Electrical Requirements

It is the customer's responsibility to:

- Contact a qualified electrical installer.
- Assure that the electrical installation is adequate and in conformance with the National Electrical Code, ANSI/NFPA 70-latest edition or Canadian Electrical Code C22.1-1998 and C22.2 No. 0-M91 (or latest edition), and all local codes and ordinances.

A 115 volt, 60-Hz, 15 amp, fused, electrical supply is required. It is required that a separate circuit serving only this appliance be provided. This appliance is equipped with a power supply cord having a 3-prong grounding plug. To minimize possible shock hazard, the cord must be plugged into a mating 3-prong, grounding-type wall receptacle.

If the supply cord is damaged, it must be replaced by the manufacturer or its service agent or a qualified service technician in order to avoid a hazard.

DO NOT use an extension cord or ungrounded (two-prong) adapter.

If codes permit a separate grounding wire to be used, it is recommended that a qualified electrician determine that the grounding path is adequate.

DO NOT ground to a gas line. Check with a qualified electrician if you are not sure if the appliance is properly grounded. **DO NOT** have a fuse in the neutral or grounding circuit.

Anti-Tip Requirements

The anti-tip device should be installed prior to moving the unit into place.

Water Supply Requirements

WARNING

To avoid serious illness or death, connect to a potable water supply only. **DO NOT** use unit where water is microbiologically unsafe or of unknown quality, without adequate disinfection before or after the system. Systems certified for cyst reduction may be used on disinfected water that may contain filterable cysts. The contaminants or other substances removed or reduced by this water treatment system are not necessarily in your water.

CAUTION

Be sure to have a replacement cartridge available when filter change is required.

- If water filtration system has been allowed to freeze, replace filter cartridge.
- If system has not been used in several months, and water has an unpleasant taste or odor, flush system by dispensing 2-3 glasses of water. If unpleasant taste or odor persists, change filter cartridge.
- Make sure to tighten the water filter to its home position. An improperly tightened water filter will not allow the water to flow.

Use only 1/4" (6 mm) copper tubing for water line. DO NOT install copper tubing in area where temperatures drop below 35° F (1.7° C). Before attaching copper tubing to the unit, flush at least 2 quarts (1.9 L) of water through the copper tubing and into a bucket to remove any particles in the water line.

General Information

- **Viking Range, LLC is not responsible for property damage due to improper installation or water connection.**
- Connect 1/4" (6 mm) flexible copper tubing to household plumbing in compliance with local codes and ordinances.
- Length of copper tubing must reach from water supply connection to the unit connection with an additional length to facilitate moving the unit out of enclosure for cleaning or service. Tubing should be soft instead of rigid and ends should be free of burrs.
- Copper tubing route must be above 35° F (1.7° C) to prevent water line from freezing.
- **DO NOT use plastic water lines from the household plumbing to the water inlet valve connection on the refrigeration unit.**
- **DO NOT use the self-piercing feature of a saddle valve.** The hole made by the piercing lance is too small for the water flow rate required by the ice maker.
- If saddle valve is not used, place a separate shut-off valve in an easily accessible location between water supply and the unit. **DO NOT** install shut-off valve behind the unit.
- The installation of Viking Range, LLC units with a reverse osmosis system is acceptable **as long as the water pressure remains within the allowable PSI as stated below.** It is important to note that with many reverse osmosis systems, the pressure starts off high, but then it decreases as the water level of the reverse osmosis storage area drops. This must be considered when checking the water pressure coming into the unit.
- Connect to a vertical or horizontal 1/2" (1.3 cm) to 1-1/4" (3.2 cm) COLD water line near water area.
- Run water line through the floor, back, or side wall in area shown on page 7. Connect to water supply coming from back of unit on the left side.
- Water pressure must be greater than 20 psi and less than 120 psi on non-dispenser units and greater than 35 psi and less than 120 psi on dispenser units.

Area Requirements

- Most of the unit's weight is at the top. Extra care is needed when moving the unit to prevent tipping.
- **DO NOT** remove protective film until unit is in operating position.
- All four leveling legs must contact the floor to support and stabilize the full weight.
- **DO NOT** drop unit.
- Remove exterior shipping materials prior to moving unit into home, except door latching device.
- Use two or more people to move and install unit. Failure to follow this instruction can result in back or other injury.
- To avoid personal injury, wear gloves when performing any installation procedure and wear eye protection when cutting metal straps.

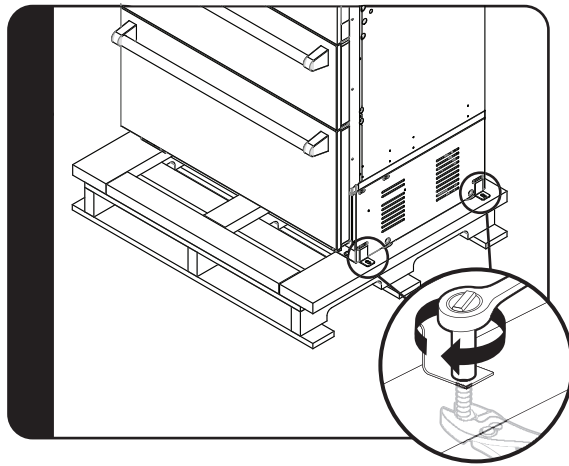
Tip Over Hazard

Appliance is top heavy and tips easily when not completely installed. Keep doors closed until appliance is completely installed and secured per installation instructions. Use two or more people to move and install appliance. Failure to do so can result in death or serious injury.

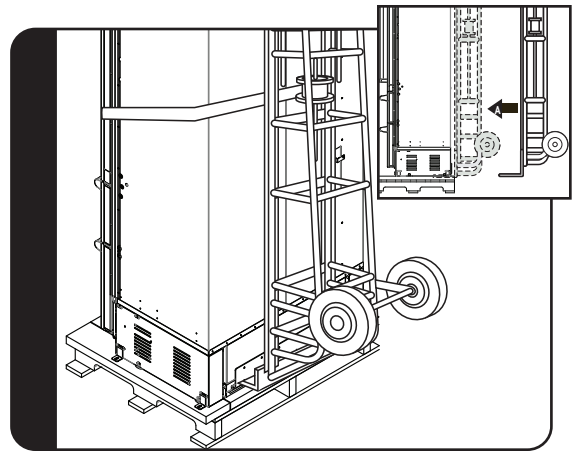
Unpacking Unit

1. Remove top and bottom strap.
2. Remove top cap.
3. Cut carton rear approximately 1/4" (0.6 cm) to 1" (2.5 cm) from right corner with a utility knife extended 1/4" (0.6 cm).
4. Remove carton and exterior packaging. Save cardboard shipping material to protect floor surface when installing unit. Remove anti-tip bracket from front of shipping pallet. Flush mount side trim is taped to the handle side of the unit.

Moving Unit



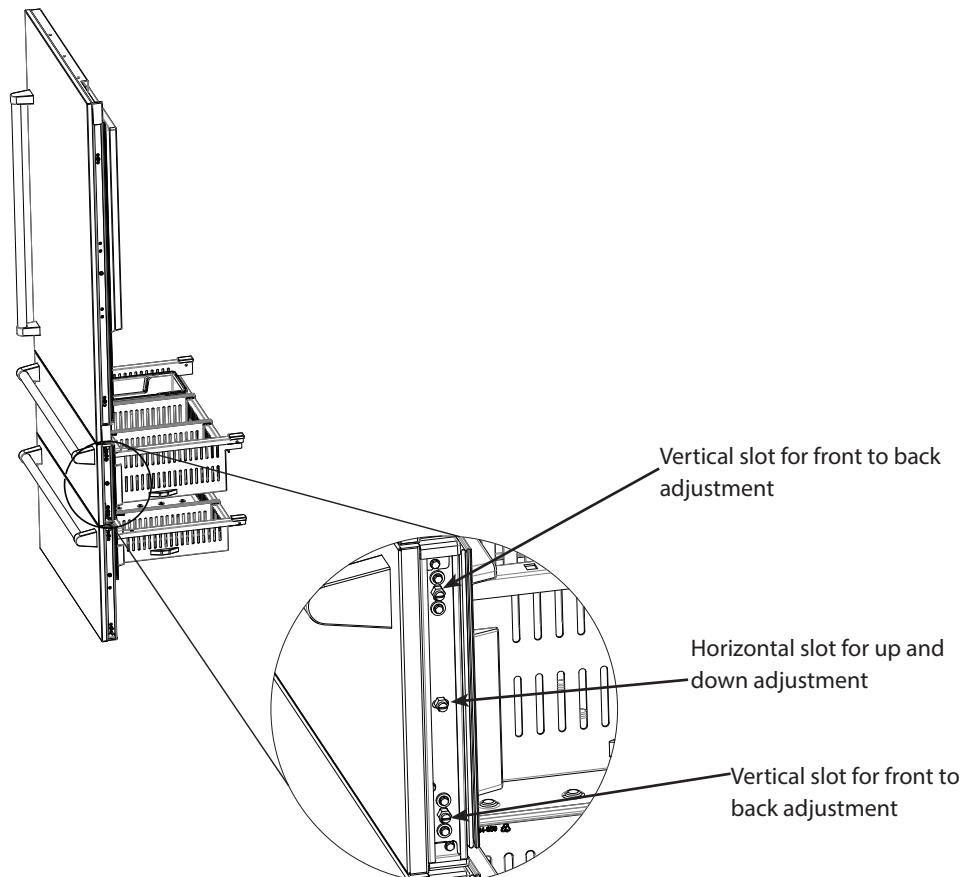
Remove shipping brackets from skid by removing four bolts (two on each side) with a 1/2" (1.3 cm) deep-well socket wrench and a pair of pliers. **Note:** Tilting unit is not required to remove shipping brackets.



Slip appliance dolly between unit and skid. Remove unit from skid. **Note:** Use excess packaging to protect decorative trim; also, verify that leveling legs are up (0" adjustment).

Door / Drawer Panel Adjustments

On the side of each panel, at the top and bottom there is a vertical slot with a cam spacer for front to back adjustments. In the center, there is a horizontal adjustment for up and down. All hardware needs to be loosened before adjusting.



Optional Custom Front Panels - Dimensions

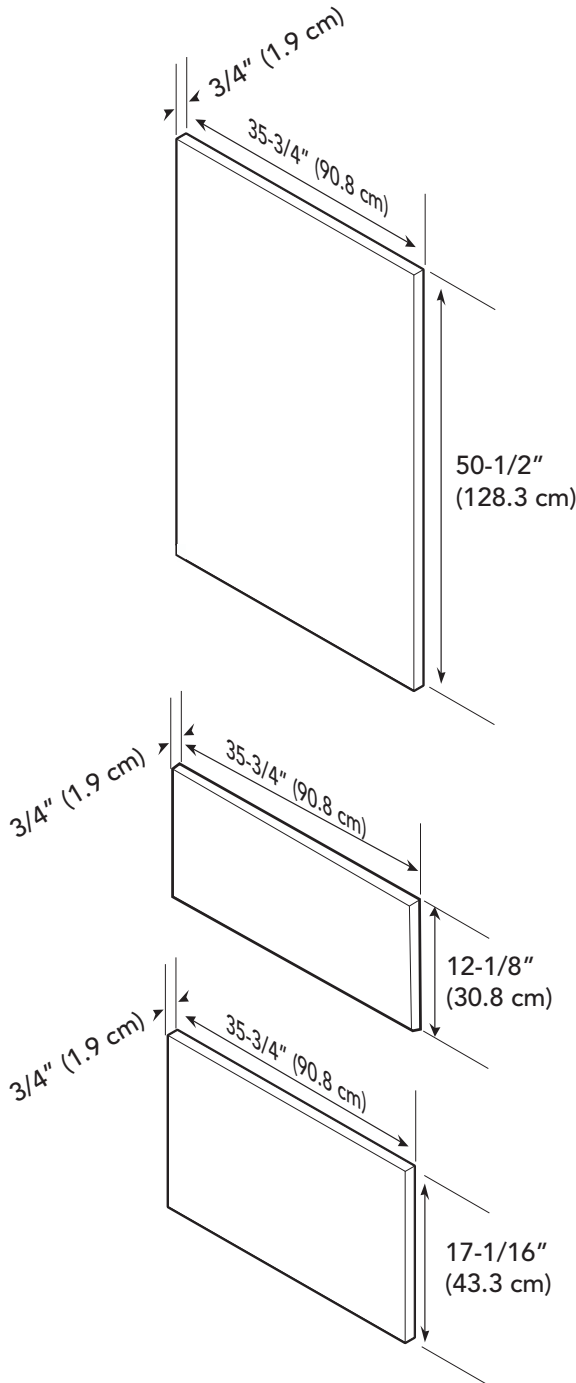
Note: Each panel overlay must be dry, solid, straight one-piece panels. The use of multiple panel pieces to achieve the dimensions is not recommended.

Maximum panel weight:

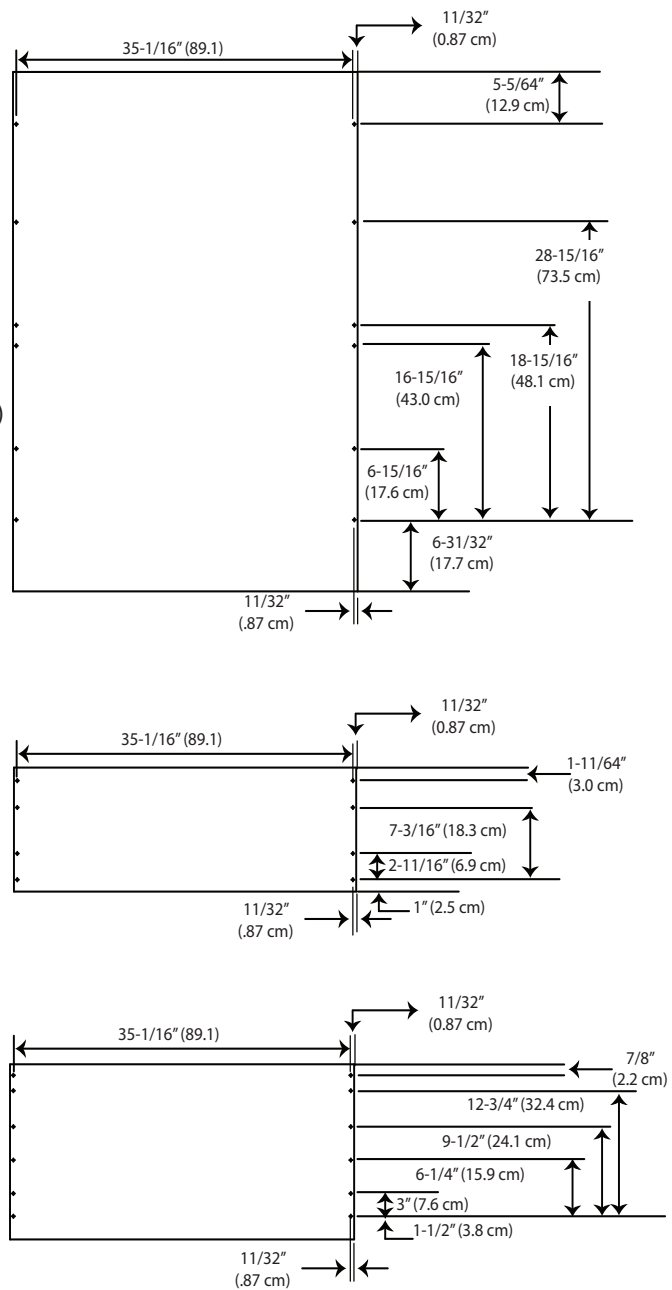
Refrigerator door panel - 39 lbs (17.6 kg)

Top Freezer drawer panel - 10 lbs (4.5 kg)

Bottom Freezer drawer panel - 13 lbs (5.9 kg)

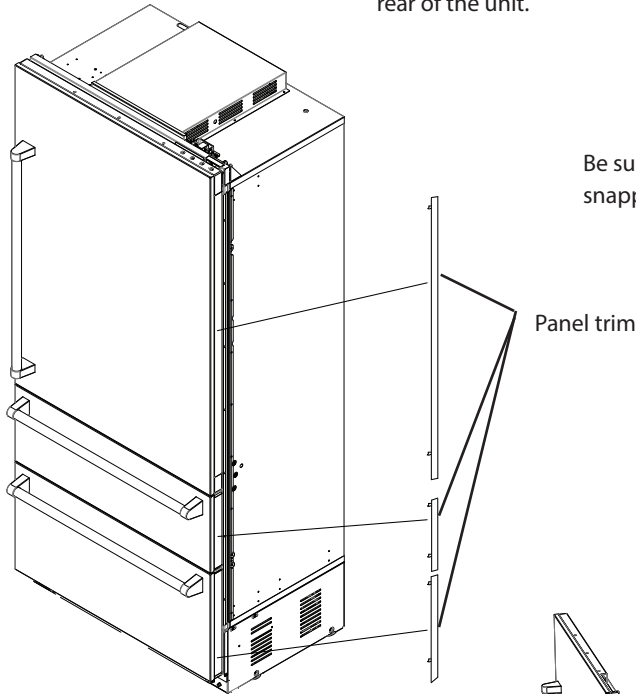


Custom Panel - hole locations

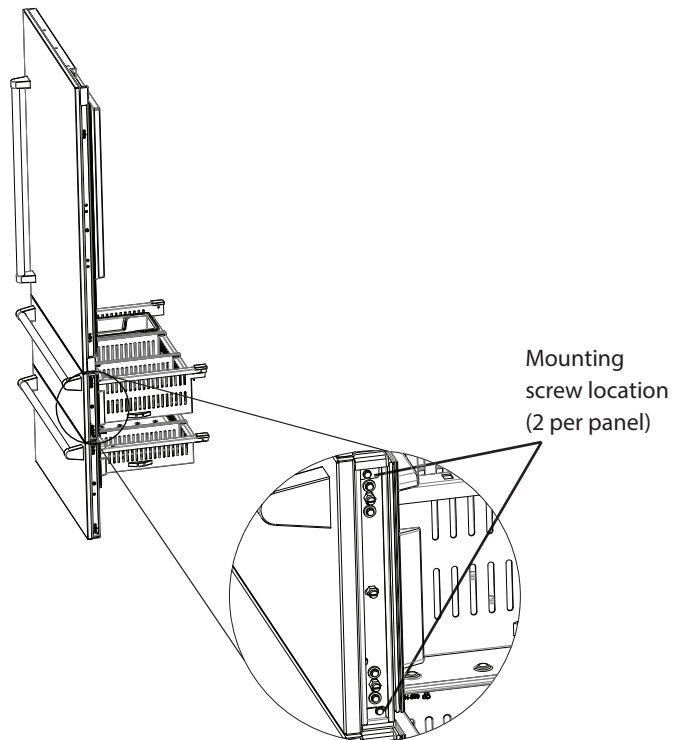


Optional Custom Front Panels - Install

Panel trim to cover mounting hole is located in a box taped to the side/rear of the unit.



Be sure to adjust door panel (see pg 12) before snapping panel trim into place



Water Line Installation

WARNING

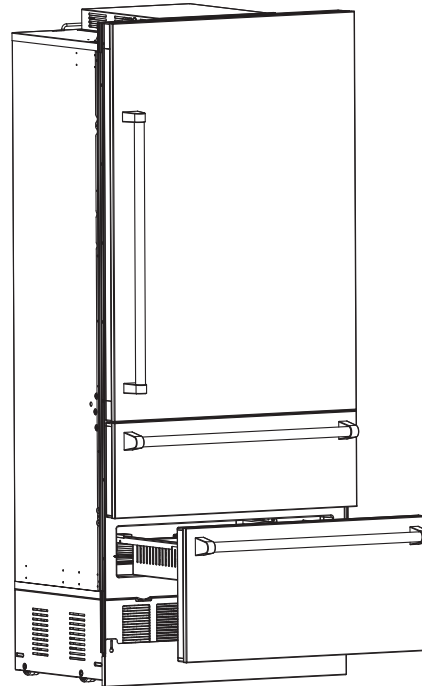


TIP OVER HAZARD

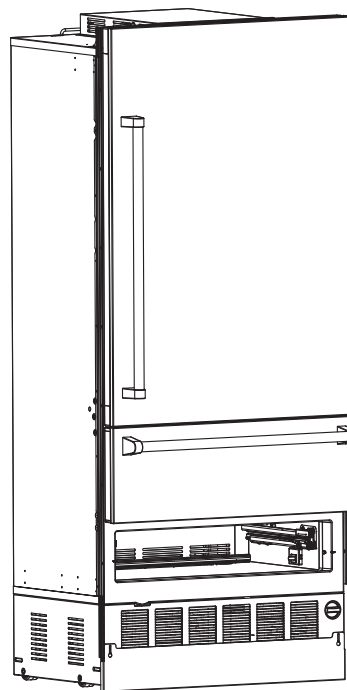
Appliance is top heavy and tips easily when not completely installed. To avoid a hazard due to instability of the appliance, it must be installed according to the instructions including the anti-tip bracket

Ensure you have approximately 6 ft. (1.8 m) of 1/4" (6 mm) copper tubing available at the right rear side of the refrigerator.

Remove the bottom freezer drawer.



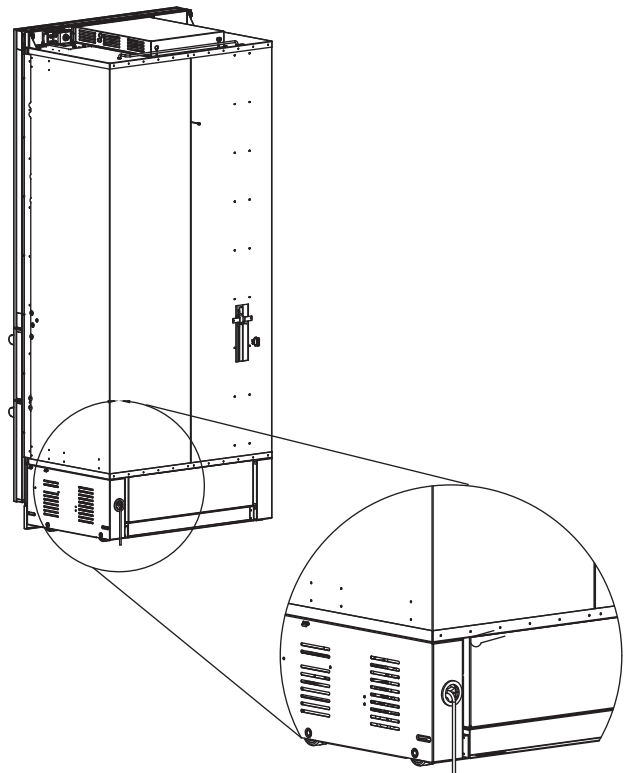
Remove the toe kick by removing the screws on each side. Remove the grill by unsnapping the panel from the frame.



Water Line Installation

With the refrigerator in line with the cut-out, but outside of the cabinetry, insert the copper tubing through the indicated hole.

Push the copper tubing through the machine compartment until it comes out the front side of the refrigerator.



Roll the refrigerator into place in the cabinet cut-out.

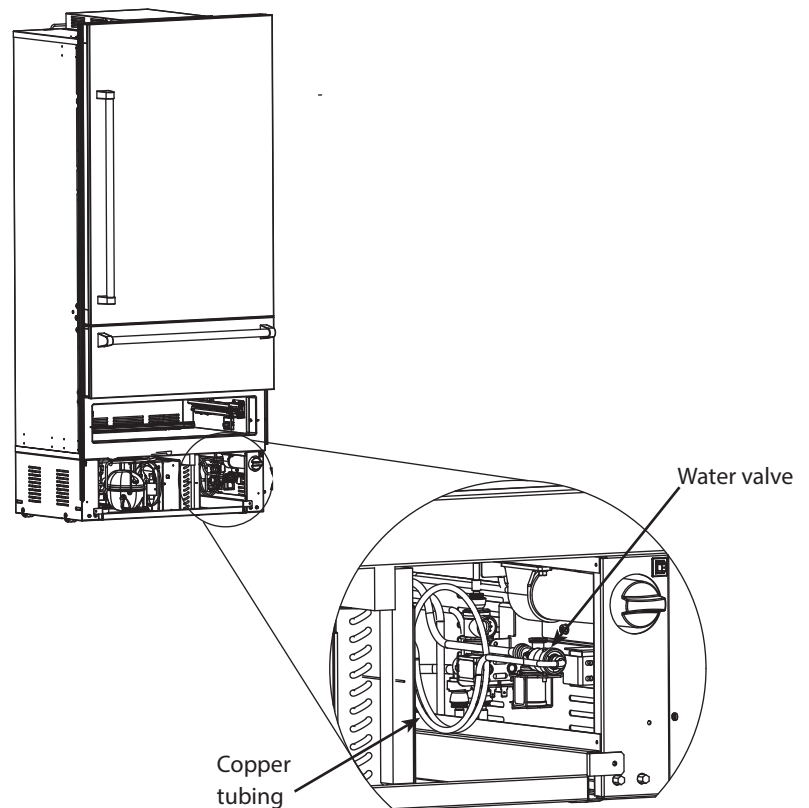
Coil the copper tubing in a vertical loop so that the end of the copper tube faces toward the rear of the refrigerator.

Install nut and ferrule over end of copper tube. Insert the end of the copper tube into the water valve.

Tighten the nut until the ferrule fits snug on the copper tube.

Turn on water supply and check for leaks. Repair leaks if found.

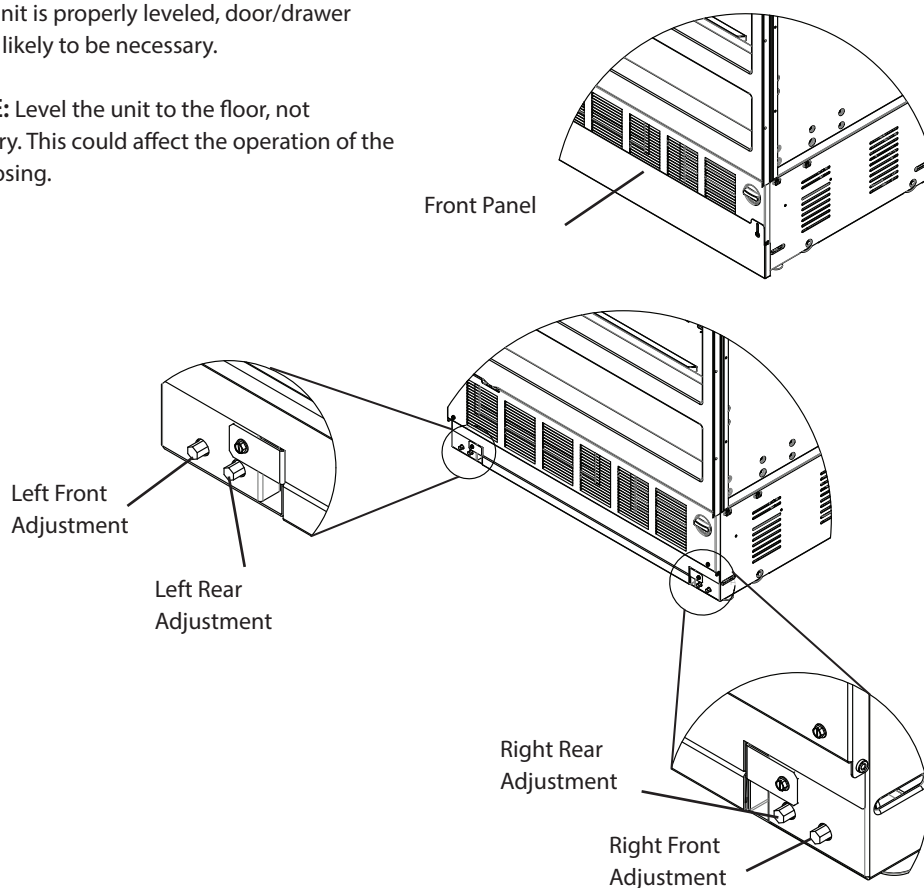
Level the refrigerator, replace the grill, and replace the toe kick.



Leveling Unit

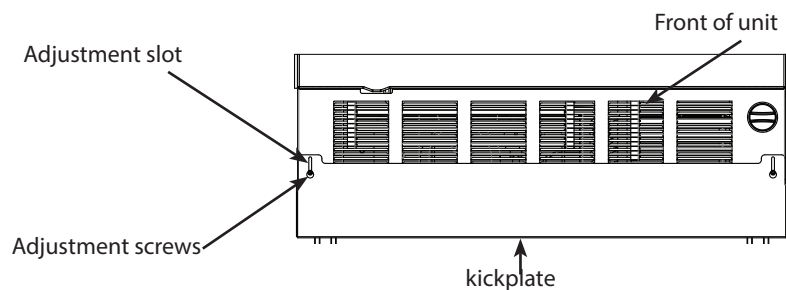
Once the unit is in position, height adjustment can be made from the front. Remove panel just below the water filter. Using a 5/16" hex drive, turn clockwise to raise the unit or counterclockwise to lower. Use the lowest torque setting when using a power drill. Do not turn the leveling legs by hand. When the unit is properly leveled, door/drawer adjustments are less likely to be necessary.

IMPORTANT NOTE: Level the unit to the floor, not surrounding cabinetry. This could affect the operation of the unit, such as door closing.



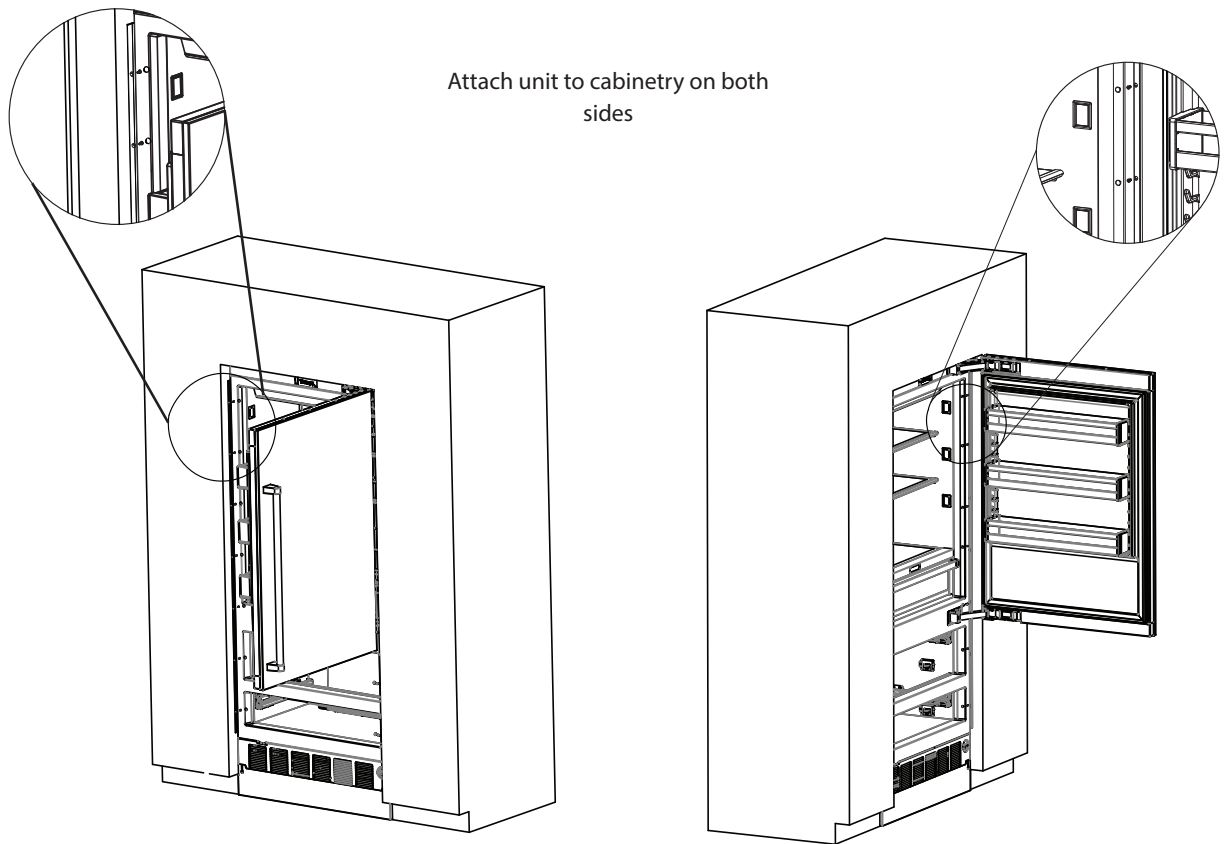
Kickplate Installation

After the unit has been adjusted to the proper height, place the kickplate on the lower front with the adjustment screws in the slots. Let the kickplate drop until it hits the floor. Tighten the screws.

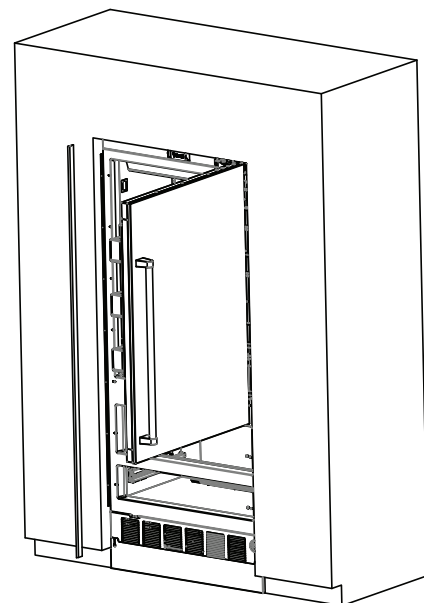


Flush Mount Side Trim

After the unit has been placed in the cutout, leveled and all connections completed, the unit will need to be fastened to the cabinetry. Open the door and remove the drawers. Using the flat wood screws, fasten the unit to the cabinetry on both sides. **NOTE: Only use the screws provided and use caution when installing the fastening screws to prevent scratching the frame. Use a 3" Phillips driver to prevent damage.** Snap the flush mount side trim to the side opposite the door swing. Replace the drawers and close the door.



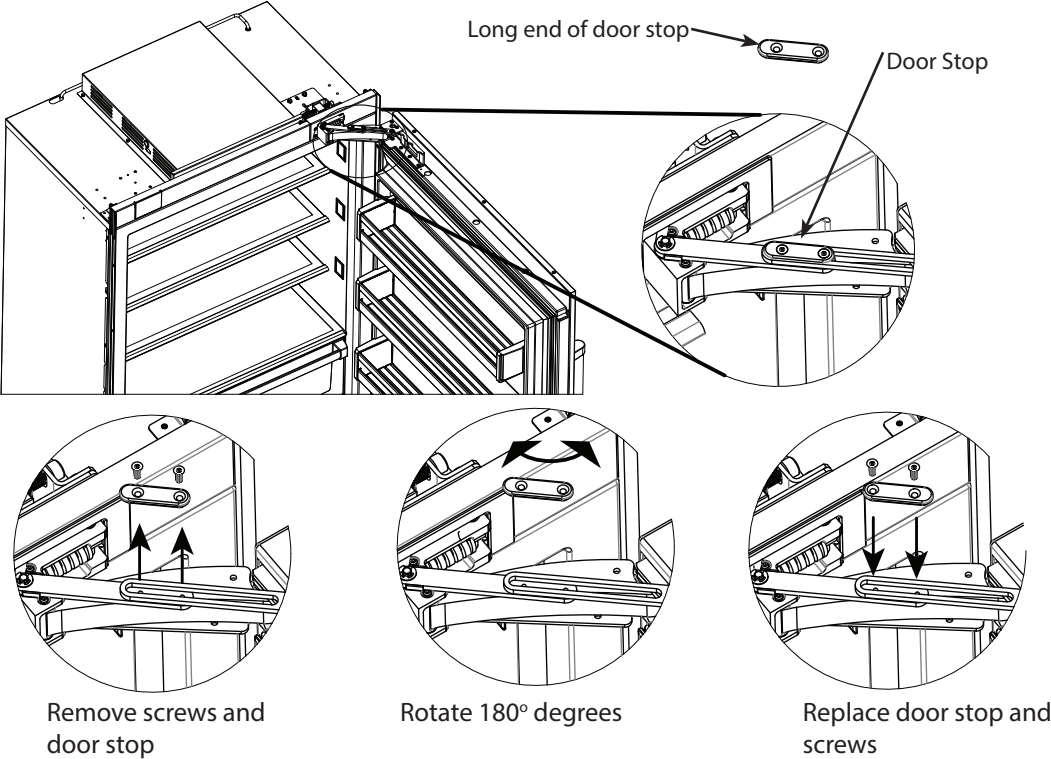
Side trim is taped to the side unit.
Remove and snap to side opposite
door swing.



Door Stop Adjustment

Your refrigerator is factory set at a 90° degree opening. The 90 degree door stop opening is shown in the illustration below with the long end of the door stop facing away from the door. To change to 105° door stop, locate the door stop on top of the door hinge. Remove the two screws and door stop. Rotate the door stop 180° degrees so that the shorter end faces away from the door. Replace door stop and screws.

For additional information on the door stop adjustment, visit the product information tab for 7 Series Bottom Mount Refrigerators online at vikingrange.com



Water Filter System Specification and Performance Data Sheet

This system has been tested according to NSF/ANSI 42/53 for reduction of the substances listed below. The concentration of the indicated substances in water entering the system was reduced to a concentration of less than or equal to the permissible limit for water leaving the system, as specified in NSF/ANSI 42/53.* (100% safety factors built-in for unmetered usage for health claims only.)

| Contaminant Reduction | Average Influent | NSF Specified Challenge Concentration | Avg % Reduction | Average Product Water Concentration | Max Permissible Product Water Concentration | NSF Reduction Requirements | NSF Test Report |
|---|-------------------|---|-----------------|-------------------------------------|---|----------------------------|-----------------|
| Chlorine Taste and Odor | 2.0 mg/L | 2.0 mg/L ± 10% | 97.5% | 0.05 mg/L | N/A | ≥ 50% | J-00056501 |
| Nominal Particulate Class I, ≥0.5 to < 1.0 µm | 13,666,667 pts/mL | At least 10,000 particles/mL | 98.9% | 143,333 pts/mL | N/A | ≥ 85% | J-00056506 |
| Asbestos | 96 MF/L | 10 ⁷ to 10 ⁸ fibers/L; fibers greater than 10µm in length | >99% | <1 MF/L | N/A | ≥ 99% | J-00056511 |
| Atrazine | 0.010 mg/L | 0.009 mg/L ± 10% | 89.3% | 0.001 mg/L | 0.003 mg/L | N/A | J-00056512 |
| Cyst* | 122,500 cysts/L | Minimum 50,000 cysts/L | 99.99% | 1 cyst/L | N/A | ≥ 99.95% | J-00056513 |
| Lead @ pH 6.5 | 0.153 mg/L | 0.15 mg/L ± 10% | 99.3% | 0.001 mg/L | 0.010 mg/L | N/A | J-00056515 |
| Lead @ pH 8.5 | 0.150 mg/L | 0.15 mg/L ± 10% | 99.3% | 0.001 mg/L | 0.010 mg/L | N/A | J-00058784 |
| Lindane | 0.002 mg/L | 0.002 mg/L ± 10% | 97.8% | 0.00004 mg/L | 0.0002 mg/L | N/A | J-00058969 |
| Mercury @ pH 6.5 | 0.006 mg/L | 0.006 mg/L ± 10% | 95.0% | 0.0003 mg/L | 0.002 mg/L | N/A | J-00058785 |
| Mercury @ pH 8.5 | 0.006 mg/L | 0.006 mg/L ± 10% | 88% | 0.0007 mg/L | 0.002 mg/L | N/A | J-00058783 |
| Toxaphene | 0.015 mg/L | 0.015 mg/L ± 10% | 93.2% | 0.001 mg/L | 0.003 mg/L | N/A | J-00056531 |
| Turbidity | 10.8 NTU | 11 ± 1 NTU | 98.7% | 0.153 NTU | 0.5 NTU | N/A | J-00058972 |

*Based on the use of *Cryptosporidium parvum* oocysts

Operating Specifications

Capacity: Certified for up to 750 gallons (2,838 L); up to nine months
 Pressure Requirement: 20 - 120 psi (1.4 - 8.2 bar)
 Temperature: 33-100° F (0.6 - 37.8° C)
 Flow rate: 0.78 gpm (2.9 l/min.)

Check for compliance with the state and local laws and regulations.

Note: While the testing was performed under standard laboratory conditions, actual performance may vary.

Must be installed and operated in accordance with manufacturer's recommended procedures and guidelines. Installation instructions, parts and service availability, and standard warranty are included with the product when shipped. This drinking water system must be maintained according to manufacturer's instruction, including replacement of filter cartridges.

Manufactured by:
 3M Purification Inc.
 400 Research Parkway
 Meriden, CT 06770

System tested and certified by NSF International against Standard 42 for the reduction of chlorine taste and odor, particulate Class I and Standard 53 for the reduction of Lead, Lindane, Atrazine, Mercury, Toxaphene, Cyst, Turbidity, and Asbestos.



Performance Checklist

- Verify cabinet size.
- Verify electrical supply and water supply (if applicable).
- Install anti-tip device(s) and verify unit is secure.
- Position unit in cutout, level at desired height and secure unit.
- Plug-in unit and verify operation.
- Connect water supply (if applicable).
 - Verify icemaker fill tube is properly inserted.
 - Verify icemaker bail arm is down.
 - Verify dispenser operation (if applicable).
- Align/square door(s).
- Verify drain pan is properly installed and there are no leaks on water connection.
- Install kickplate.
- Remove internal packaging and labels and wipe unit down.



Verify Operations

Control Panel



1. When unit is first plugged in, the display will flash. "PL". Press the refrigerator select button twice to initiate display.
2. Verify unit is not in Sabbath Mode.
If in Sabbath Mode:
 - A. The Sabbath Mode will disable the interior lights, display (except SAB indicator, temperature and compartment indicator) and alarm. If in Sabbath Mode, SAB will be lit.**To exit the Sabbath Mode:**
 - B. Press and hold SAB button for 3 seconds
3. Verify unit is not in Showroom Mode.
If in Showroom Mode:
 - A. The Showroom Mode will disable the refrigerator system but all other functions are normal. These include lights and control. If the refrigerator is in Showroom Mode, SHOW ROOM will be lit.**To exit Showroom Mode:**
 - B. Press and hold SHOW ROOM button for 3 seconds
4. All models are set at 39° F and 0° F for the refrigerator and freezer respectfully - factory setting. Wait 24 hours before changing temperatures.

Service & Registration

If service is required, call your authorized service agency.

Have the following information readily available.

- Model number
- Serial number
- Date purchased
- Name of dealer from whom purchased

Clearly describe the problem that you are having. If you are unable to obtain the name of an authorized service agency, or if you continue to have service problems, contact Viking Range, LLC at 1-888-(845-4641), or write to:

**VIKING RANGE, LLC
PREFERRED SERVICE
111 Front Street
Greenwood, Mississippi 38930 USA**

Record the following information indicated below. You will need it if service is ever required.

The serial number and model number for your appliance are located on the identification plate mounted behind the top light.

Record the information indicated below. You will need it if service is ever required.

Model number _____

Serial number _____

Date of purchase _____

Date installed _____

Dealer's name _____

Address _____

If service requires installation of parts, use only authorized parts to insure protection under the warranty.

KEEP THIS MANUAL FOR FUTURE REFERENCE.

Viking Range, LLC
111 Front Street
Greenwood, Mississippi 38930 USA
(662) 455-1200

For product information,
call 1-888-(845-4641)
or visit our web site at vikingrange.com

