

FRIGIDAIRE



30" Gas Range

Gas Range

Available Products: FCRG3051BB, FCRG3051BS, FCRG3051BW

Available Colors: Black, Stainless Steel, White

Version: 09/23

Product Specifications

Cooking Controls

Bake	Yes
Broil	Yes
Clock	Yes
Off	Yes
Oven Light	Yes
Preheat	Yes
Timer On / Off	Yes
Up / Down Arrow	Yes

Oven

Bake Element	17000 BTU
Broil Element	1400 Watts
Broil Element Pass	6
Number of Rack Positions	6
Oven Interior Color	Midnight Black
Oven Light Quantity	1
Oven Light Type	Halogen
Oven Light Watts	40 Watts
Rack Position Type	Embossed
Rack Type 1	Flat
Rack Type 1 Quantity	2

Cooktop Performance

Right Front Element Burner	10000 BTU
Right Rear Element Burner	10000 BTU
Left Front Element Burner	10000 BTU
Left Rear Element Burner	10000 BTU

Display

Control Location	Rear
Display Interface Color	White
Display Type	LED

Electrical Specifications

Voltage Rating	120 V
----------------	-------

General Specifications

Frigidaire Fit Promise	Yes
Prop 65 Label	Yes
Warranty - Labor	1 Year
Warranty - Parts	1 Year

Cooking Controls Function

Program Fahrenheit or Celsius	Yes
-------------------------------	-----

Cooktop

Cooking Surface Type	Gas
Grate Material	Steel Wire
Grate Quantity	4
Grate Style	Individual

Drawer

Drawer Handle Style	Integrated
Drawer Type	Storage

Dimensions and Volume

Minimum Height	46 3/4"
Maximum Height	47 3/4"
Width	30"
Depth	26"
Depth With Door 90° Open	47 5/16"
Depth With Handle	28 1/2"
Oven Interior Height	17 5/8"
Oven Interior Width	25 3/16"
Oven Interior Depth	19 7/8"
Oven Capacity	5.1 Cu. Ft.

Installation

Adjustable Leveling Legs	Yes
Power Cord Included	Yes

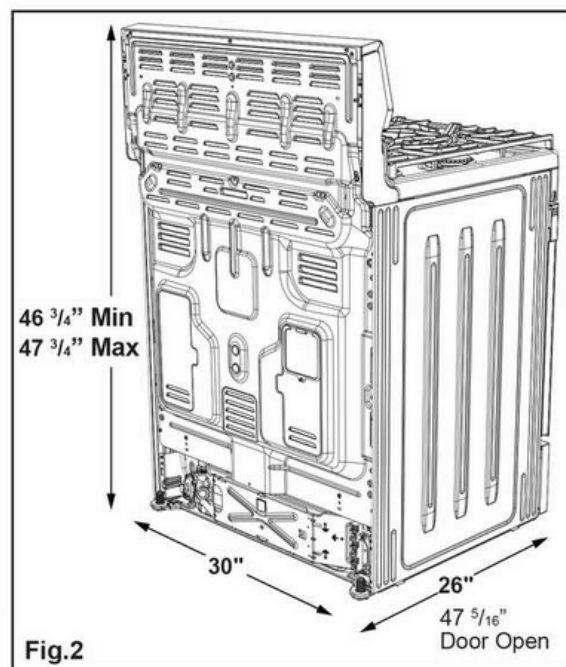
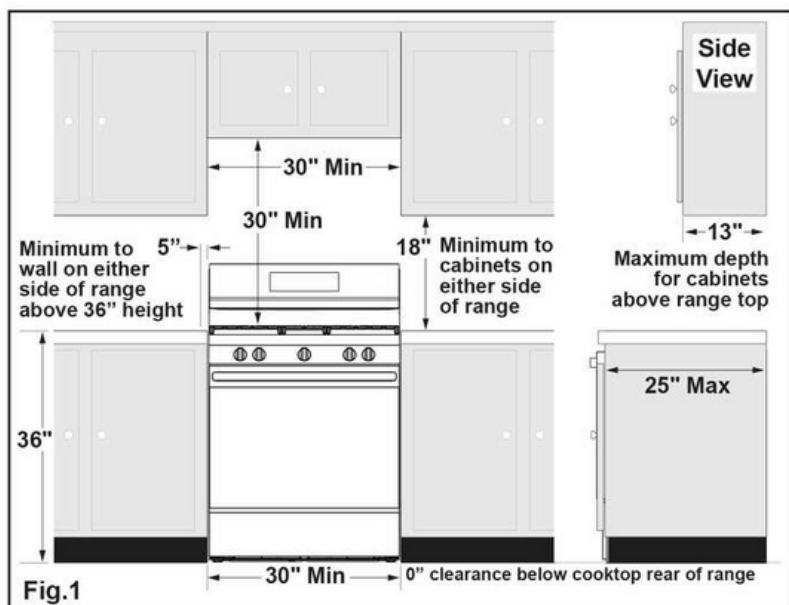
Safety Certifications and Approvals

CSA Listed	Yes
------------	-----

For planning purposes only. We reserve the right to change specifications or discontinue models without notice. Refer to Product Installation Guide for detailed installation instructions on the web at [frigidaire.com / frigidaire.ca](http://frigidaire.com/frigidaire.ca) Electrolux Major Appliances, N.A.

USA • 10200 David Taylor Drive • Charlotte, NC 28262 • Charlotte, NC 28262 • 1-877-4electrolux (1-877-435-3287) • frigidaire.com
CANADA • 5855 Terry Fox Way • Mississauga, ON L5V 3E4 • 1-800-265-8352 • frigidaire.ca

Installation Diagram



*30" (762 mm) MINIMUM CLEARANCE BETWEEN THE TOP OF THE COOKING SURFACE AND THE BOTTOM OF AN UNPROTECTED WOOD OR METAL CABINET; OR 24" (610 mm) MINIMUM WHEN BOTTOM OF WOOD OR METAL CABINET IS PROTECTED BY NOT LESS THAN 1/4" (6 mm) FLAME RETARDANT MILLBOARD COVERED WITH NOT LESS THAN NO. 28 MSG SHEET STEEL, 0.015" (0.4 mm) STAINLESS STEEL, 0.024" (0.6 mm) ALUMINUM OR 0.020" (0.5 mm) COPPER. 0" (0 mm) CLEARANCE IS THE MINIMUM FOR THE REAR OF THE RANGE. FOLLOW ALL DIMENSION REQUIREMENTS PROVIDED ABOVE TO PREVENT PROPERTY DAMAGE, POTENTIAL FIRE HAZARD, AND INCORRECT COUNTERTOP AND CABINET CUTS.

