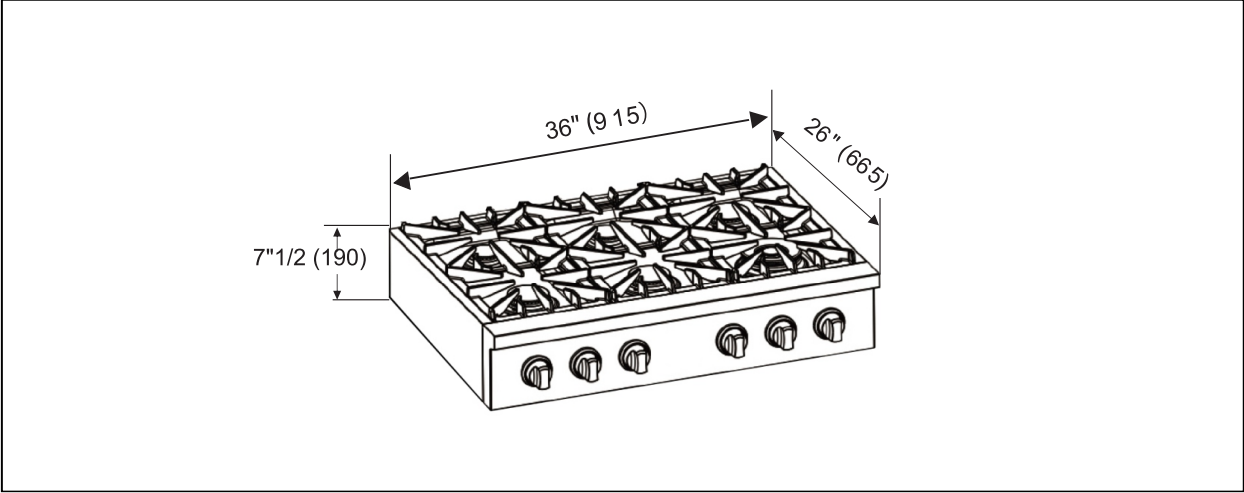
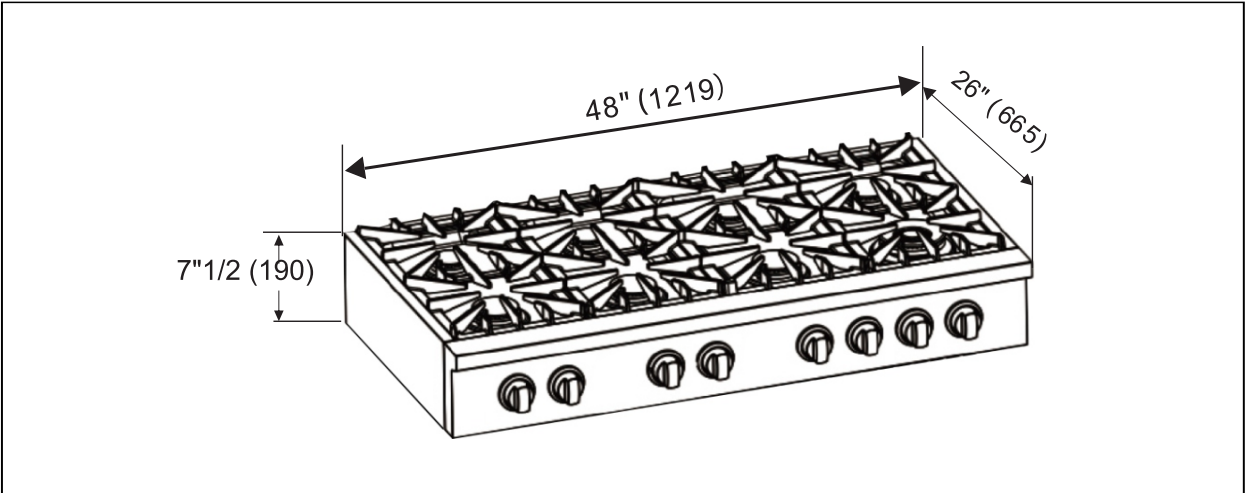


**Product Dimensions and Cabinets**

**Model:**  
FCTGS5737-36

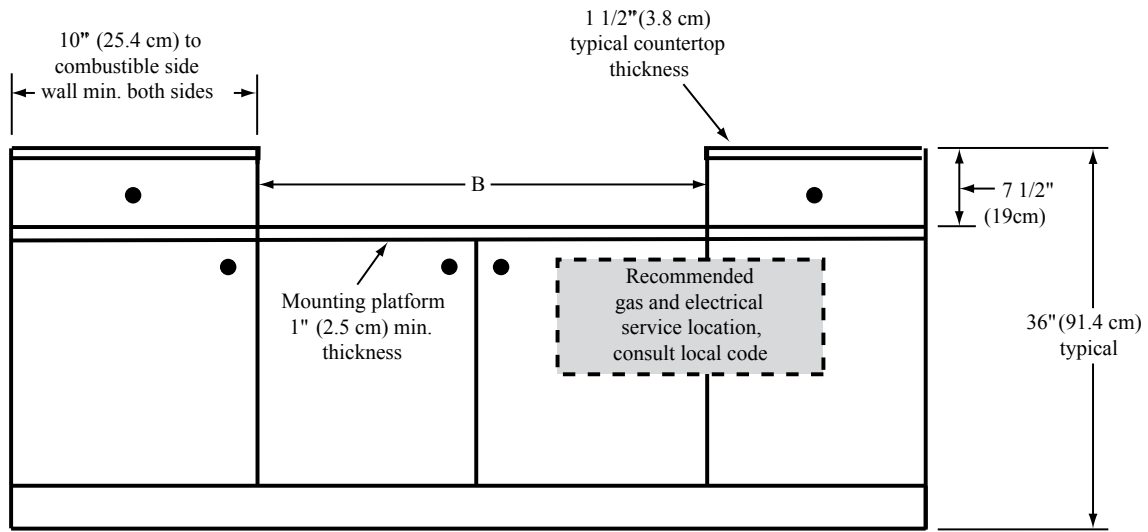


**Model:** FCTGS5737-48

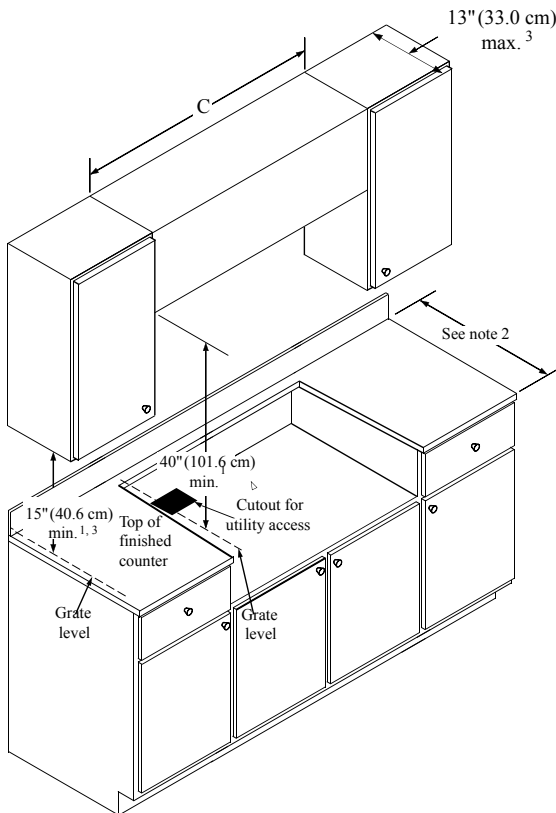


## Dimensions and Clearances

Cabinet tolerances  $\pm 1/16"$  ( $\pm 1.6$  mm) unless otherwise noted.



Cabinet/Counter top Dimensions - Front View



Cabinet/Counter top Dimensions - ISO View

Rangetop Model	B	C
FCTGS5737-36	36" (91.4 cm)	36" (91.4 cm)* 42" (106.7 cm)**
FCTGS5737-48	48" (121.9 cm)	48" (121.9 cm)* 54" (137.2 cm)**
* Minimum		** Rec

<sup>1</sup> Vertical to combustible surface from rangetop grate level; if installing an overhead vent hood, also check the hood specifications for minimum required clearances.

<sup>2</sup> See Cabinet/Counter top Dimensions - Top View

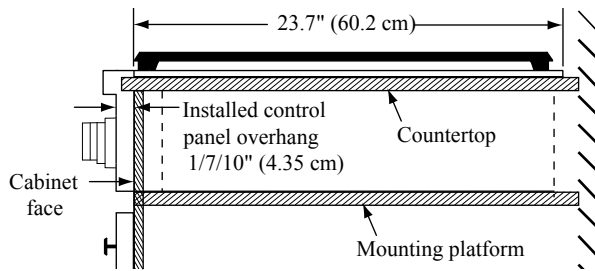
<sup>3</sup> This specification not applicable for cabinets more than a horizontal distance of 10" (25.4 cm) from the cabine.



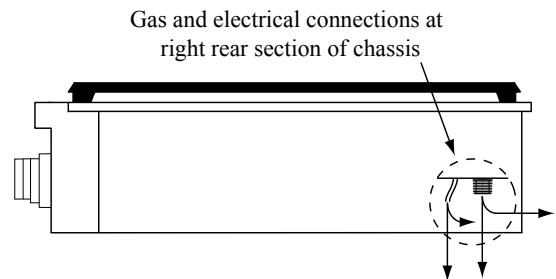
**WARNING** For reference only, please refer to the real object.

## Cabinet/Countertop Dimensions (cont.)

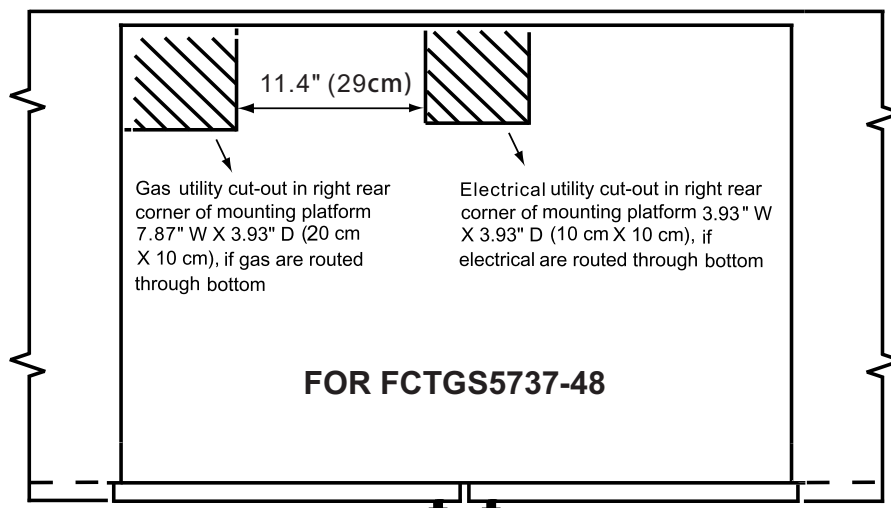
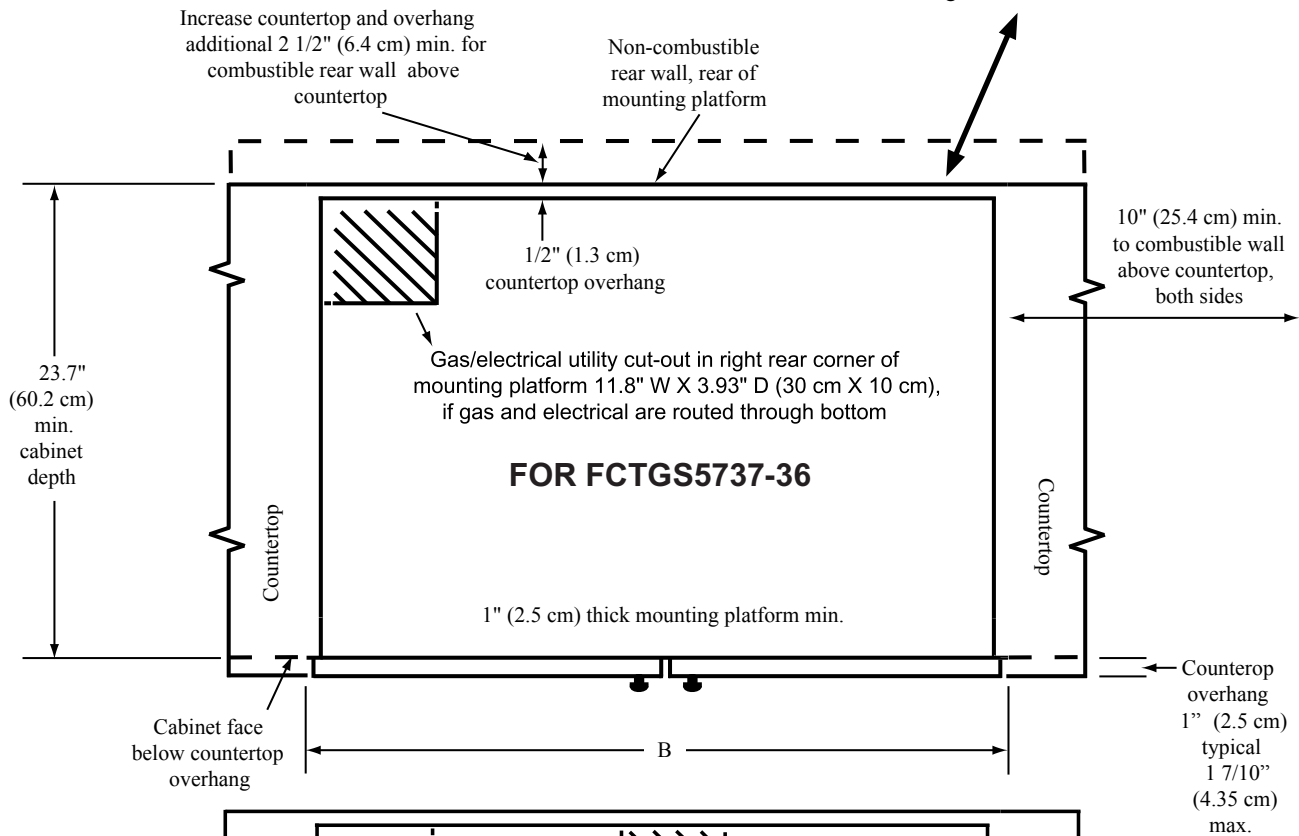
Cabinet tolerances  $\pm 1/16"$  ( $\pm 1.6\text{mm}$ ) unless otherwise noted.



Installed Rangetop - Side View



Gas connection and power cord may be routed through bottom or back of chassis



**IMPORTANT:** Use only the downdraft vent models specified.

**⚠ WARNING** For reference only, please refer to the real object.