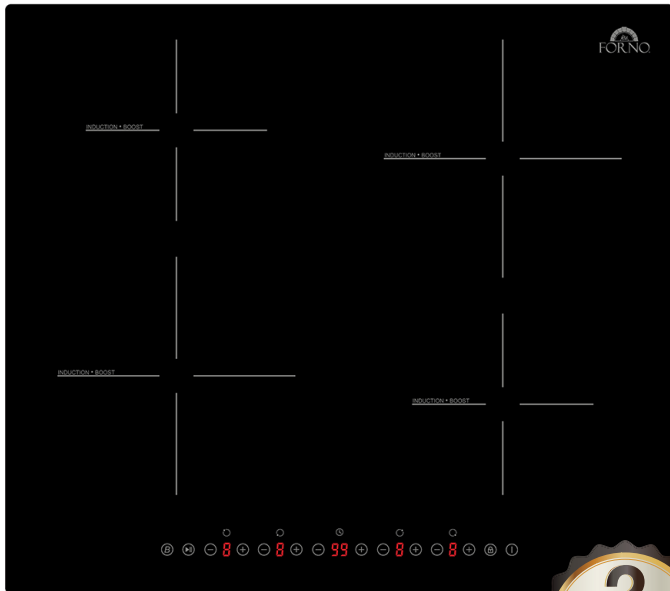


**Parco 24-Inch Induction Cooktop,  
4 Zones, 7200W, Touch Control,  
9 Power Levels & Booster Function**  
Model: FCTIN0583-24



**KEY Features**

- 4 Zones (7200W)
- Touch Control
- 9 Power Levels & Booster Function
- Individual Timer of 99 Minutes
- Stop & Go Function
- Child Control Lock

APPEARANCE	
Cooktop Size	24 Inch
Fuel Type	Electric
Cooktop Cavity material	Ceramic-Glass
Cooktop Surface	Smooth
Unit color	Black
Control Type	Touch Control
Control Location	Front of Burner
Number of Cooking Zone	4
Fingerprint resistant	Yes
Frameless	Yes

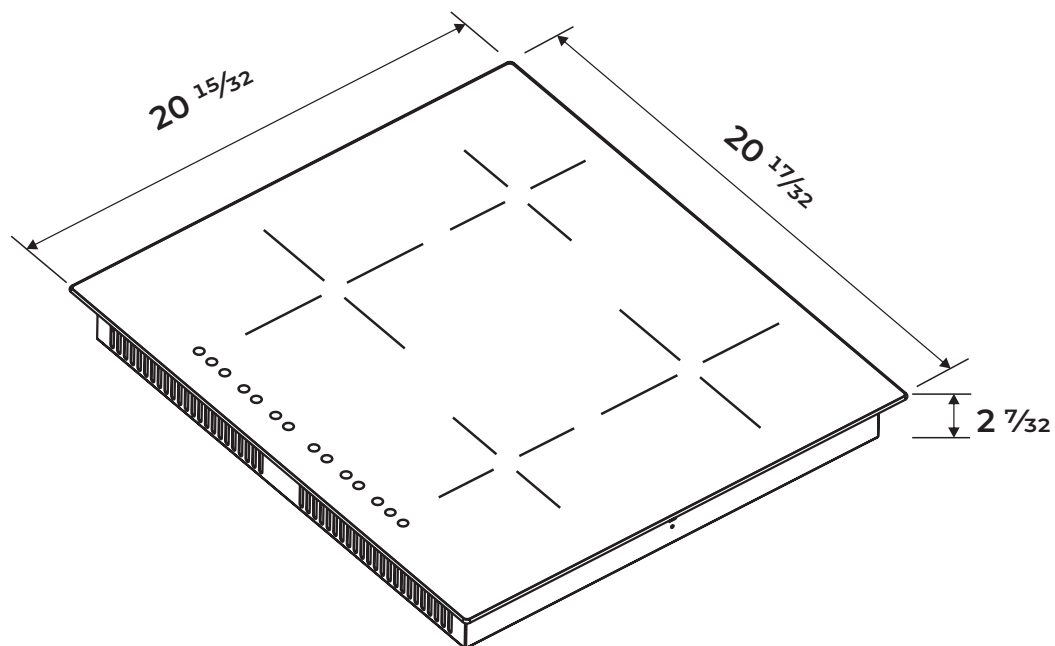
FEATURES	
Heating Element "ON" Indicator Light	Yes
Timer ( of 99 Minutes)	Yes
Power Off Function	Yes
Child Lock	Yes
Display Type	LED
Display Light Color	Red
Number of Power Levels	9
Booster Function	Yes
Stop & Go Function	Yes
Front Left Cooking Zone (Watts)	2000W, 3000W with boost
Left Rear Cooking Zone (Watts)	1500W, 2000W with boost
Front Right Cooking Zone (Watts)	1500W, 2000W with boost
Right Rear Cooking Zone (Watts)	2000W, 3000W with boost

TECHNICAL SPECIFICATIONS	
Circuit Breaker:	30 Amps
Volts	240V
Frequency (Hz)	60
Power Cord Included	Yes
Power Cord Location:	Bottom
Power Cord Length:	3.94 Ft
Power Cord Type:	No Plug, (Hard Wired)
ISTA 6A	Yes
Safety Standards	cETLus
Certification	UL-858 CSA-C22.2 No.61
File/Certification Number	4002064

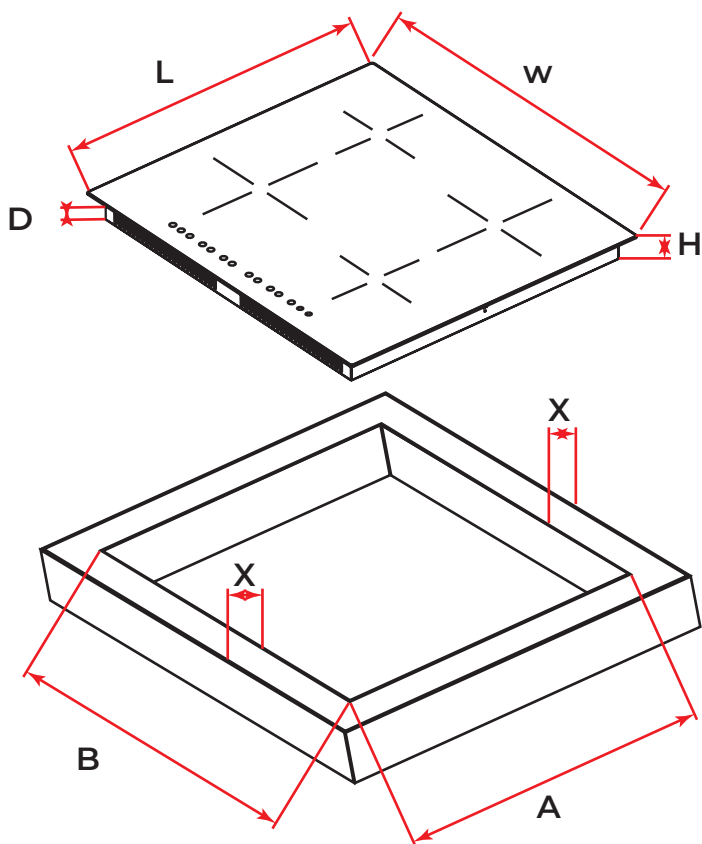
PRODUCT DIMENSIONS	
Product Dimensions (W X D X H)	23.23 x 20.47 x 2.22 (Inches)
Cutout Dimension (W X D X H)	22.03 x 19.69 x 2.06 (Inches)
Net Weight (lbs)	24.98

CARTON DIMENSIONS	
Packaging Dimensions (W X D X H)	22.36 x 25 x 4.65 (Inches)
Carton Weight (lbs)	27.29

PRODUCT DIMENSION



PRODUCT DIMENSION



Model	L	W	H	D	A	B	X
FCTIN0583-24	$23 \frac{7}{32}$ "	$20 \frac{15}{32}$ "	$2 \frac{7}{32}$ "	$2 \frac{1}{16}$ "	$21 \frac{27}{32}$ " + $\frac{3}{16}$ "	$19 \frac{1}{2}$ + $\frac{3}{16}$ "	2"