



30" Single Electric Wall Oven

Single Wall Oven

Available Products: FCWS3025AS

Available Colors: Stainless Steel

Version: 02/25

Product Specifications

Cooking Controls

| | |
|---------------|-----|
| Bake | Yes |
| Broil | Yes |
| Cancel | Yes |
| Clock | Yes |
| Keep Warm | Yes |
| Kitchen Timer | Yes |
| Light | Yes |
| Oven Light | Yes |
| Preheat | Yes |
| Self Clean | Yes |

Oven

| | |
|----------------------|----------------|
| Bake Element | 2500 Watts |
| Bake Element Pass | 8 |
| Bake Element Type | Hidden |
| Broil Element | 4000 Watts |
| Broil Element Pass | 6 |
| Broil System | Yes |
| Oven Interior Color | Midnight Black |
| Oven Light Quantity | 1 |
| Oven Light Type | Halogen |
| Oven Light Watts | 40 Watts |
| Rack Position Type | Embossed |
| Rack Type 1 | Flat |
| Rack Type 1 Quantity | 2 |

Display

| | |
|-------------------------|------------------|
| Display Interface Color | White |
| Display Light Color | White |
| Display Type | Capacitive Touch |

Electrical Specifications

| | |
|--------------------------|---------|
| Amps @ 240 Volts | 20 Amps |
| Minimum Circuit Required | 20 Amps |
| Voltage Rating | 240 V |

General Specifications

| | |
|------------------------|--------|
| Frigidaire Fit Promise | Yes |
| Prop 65 Label | Yes |
| Warranty - Labor | 1 Year |
| Warranty - Parts | 1 Year |

Cooking Controls Function

| | |
|---|-----|
| Change between Continuous Bake Setting or 12-Hour Energy Saving Feature | Yes |
| Program Fahrenheit or Celsius | Yes |
| Silent Control Panel | Yes |

Controls

| | |
|--------------|-----|
| Control Lock | Yes |
| Sabbath Mode | Yes |

Dimensions and Volume

| | |
|--------------------------|-------------|
| Height | 28" |
| Width | 29 7/8" |
| Depth | 25 3/16" |
| Depth With Door 90° Open | 48 3/16" |
| Depth With Handle | 27 3/5" |
| Oven Interior Height | 18 1/8" |
| Oven Interior Width | 25 1/5" |
| Oven Interior Depth | 19 7/8" |
| Minimum Cutout Height | 26 3/4" |
| Minimum Cutout Width | 28 1/2" |
| Maximum Cutout Height | 28" |
| Maximum Cutout Width | 29" |
| Oven Capacity | 5.3 Cu. Ft. |

Installation

| | |
|----------------------------------|----------|
| Power Supply Connection Location | Top Left |
|----------------------------------|----------|

Certifications and Approvals

| | |
|---------------|-----|
| ADA Compliant | Yes |
|---------------|-----|

Safety Certifications and Approvals

| | |
|------------|-----|
| CSA Listed | Yes |
| RoHS | Yes |
| UL Listed | Yes |

Installation Diagram

ELECTRIC WALL OVEN INSTALLATION INSTRUCTIONS

(with cooktop combination installations)

INSTALLATION AND SERVICE MUST BE PERFORMED BY A QUALIFIED INSTALLER.
IMPORTANT: SAVE FOR LOCAL ELECTRICAL INSPECTOR'S USE.
READ AND SAVE THESE INSTRUCTIONS FOR FUTURE REFERENCE.

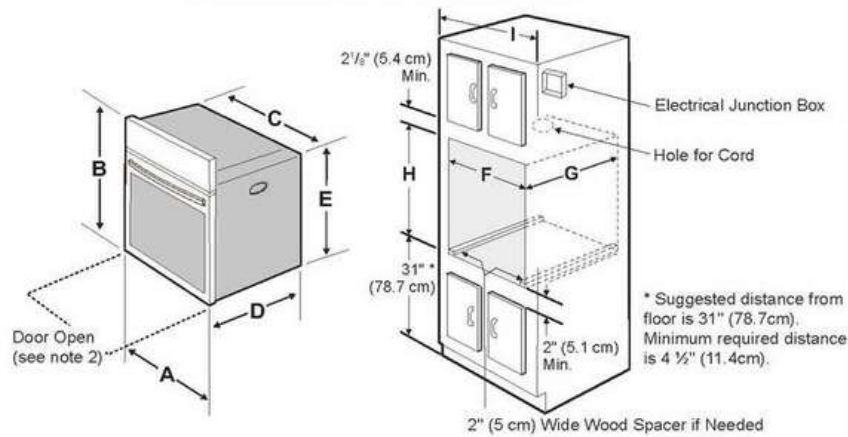
United States
and Canada



⚠ WARNING FOR YOUR SAFETY: Do not store or use gasoline or other flammable vapors and liquids in the vicinity of this or any other appliance.

Your new wall oven has been designed to fit a variety of cutout sizes to make the job of installing easier. The first step of your installation should be to measure your current cutout dimensions and compare them to the cutout dimensions chart below for your model. You may find little or no cabinet work being necessary.

SINGLE WALL OVEN INSTALLATION



NOTES:

1. Allow at least 23" (58.4 cm) clearance in front of oven for door depth when it is open.
2. Dimension G (cutout depth) is critical to the proper installation of the built-in oven. If the oven trim does not butt against the cabinet, or if noise is heard on convection models, verify dimension G to assure it is the required depth.
3. For a cutout height greater than the maximum (H), add one 2" (5 cm) wide wood shim of appropriate height to each side of the opening under the appliance side rails. A trim kit may be purchased through a dealer, service, or on the brand website.

Figure 1
30" Single Wall Ovens

| PRODUCT DIMENSIONS | | | | | |
|-------------------------------------|--------------|-------------------|--|--------------|----------------------|
| A | B | C | D | | E |
| 29 1/8 (75.9 cm) | 28 (71.1 cm) | 28 7/16 (72.2 cm) | 25 7/16 (63.9 cm) | | 26 (66.1 cm) |
| CUTOUT DIMENSIONS AND CABINET WIDTH | | | | | |
| F | | G | H. Standard Height (**Others, see note 3) | | I |
| Min. | Max. | Min. | Min. | Max. | |
| 28 1/2 (72.4 cm) | 29 (73.7 cm) | 23 1/2 (59.7 cm) | 26 7/8 (68.0 cm) | 28 (71.1 cm) | 30 1/8 (76.5 cm) Min |

All dimensions are in inches (cm).
Printed in U.S.A.

PN 807153708 Rev. A (2021/07)
English – pages 1-10
Español – páginas 11-20
Français – pages 21-30