

Version FDELL70I5SS / Island 70" (180 cm) - 500 CFM
Collection Design

FEATURES AND PROPERTIES

Materials/Finishes Matte black painted steel
Technology SRS Speed reduction system
Features Perimeter suction
Control Electronic control
 Remote control (optional)
Ducting type Extracting/Filtering
Installation type Island
Lighting LED Strip (3000K)
Filters Combined regenerable Carbon.Zeo filter (optional)
Ducting type
Dimensions 70 in
Minimum Electric hob distance 21 in
Minimum Gas hob distance 25 in
Notes Availability Carbon.Zeo filter KACL.1039 for hoods produced from Sept. 2024



Photograph is for information purposes only. May not correspond to the selected version

ELECTRICAL CONNECTION AND CONSUMPTION

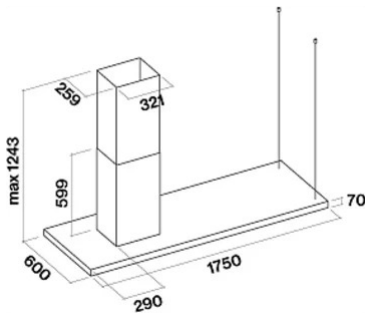
Maximum consumption 280 W
Voltage/Frequency 110-120V 60Hz

BLOWER PERFORMANCE

Motor 500 CFM
Minimum sound level 0 dB (A)re1pW I.E.C. 60704-2-13
Maximum sound level 0 dB (A)re1pW I.E.C. 60704-2-13

WEIGHTS AND DIMENSIONS

Gross weight 137 lbs
Net weight 114 lbs
Volume 24 ft
Packaging dimensions L 75 x H 20 x D29 in



OPTIONAL ACCESSORIES

<i>Code</i>	<i>Description</i>
105080053	Remote control
KACL.1039	Carbon.Zeo Microtech renewable filter