

Version	FDLUM70I5SS-2L / Island - Left 70" (90cm) - 500 CFM
Collection	Design

FEATURES AND PROPERTIES

Materials/Finishes	Scotch brite stainless steel (AISI 304)
Features	Perimeter suction LED ambient light
Control	Electronic control
Ducting type	Extracting/Filtering
Chimney	Available with chimney on the left side
Installation type	Island
Lighting	LED 4 x 10 W (5700 K)
Filters	Metallic grease filter, removable and washable Charcoal filter
Ducting type	
Dimensions	70" in
Minimum Electric hob distance	21 in
Minimum Gas hob distance	25 in
Notes	Active Carbon filters: FFCHASQC0BL



Photograph is for information purposes only. May not correspond to the selected version

ELECTRICAL CONNECTION AND CONSUMPTION

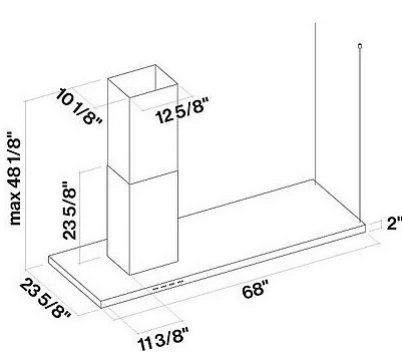
Maximum consumption	280 W
Voltage/Frequency	110-120V 60Hz
Connection type	Hood comes standard with Nema 5-15P power cord

BLOWER PERFORMANCE

Motor	500 CFM
Minimum sound level	49 dB (A)re1pW I.E.C. 60704-2-13
Maximum sound level	61 dB (A)re1pW I.E.C. 60704-2-13

WEIGHTS AND DIMENSIONS

Gross weight	131 lbs
Net weight	106 lbs
Volume	24 ft
Packaging dimensions	L 75 x H 19 x D29 in



LUMEN ISOLA 175 - VERSIONE SINISTRA

OPTIONAL ACCESSORIES

Code	Description
KACL.557#I	Extension H1200 Island - Inox
KACL.934	Carbon.Zeo filter
KACL.815	Protective cleaning cloths for stainless steel (box 10 pcs)
KACL.350	Rods extension
KACL.798#41F	Remote under-roof motor 950 m3/h
KACL.770#41F	Remote under-roof 1100 m3/h Brushless
KACL.786#41F	Outdoor extractor fan 1000 m3/h
KACL.796#4AF	Outdoor extractor fan 1500 m3/h
KACL.797#4AF	Remote under-roof motor 1300 m3/h
KACL.949#IF	Carbon.Zeo island hoods kit

ENGINE SPECIFICATIONS

Motor speed	1	2	3	4
Noise dB(A) re1pW I.E.C. 60704-2-13	49	55	61	67
Capacity	270	360	470	670
Maximum pressure (Pa)	390	420	460	500
Motor power (W)	134	156	180	215
Air outlet	150	150	150	150

CAPACITY / PRESSURE

