

| | |
|-------------------|--|
| Version | FDMOV30W5SB / Built-in 30" (80 cm) - Black - 500 CFM |
| Collection | Design |

FEATURES AND PROPERTIES

| | |
|--------------------------------------|---|
| Materials/Finishes | Scotch brite stainless steel (AISI 304) |
| Materials/Finishes | Lower part in black tempered glass |
| Features | Sliding door Automatic switch-on function (fast heating up) |
| Control | Electronic control |
| Ducting type | Extracting/Filtering |
| Chimney | Optional Chimney |
| Shelf | Optional glass shelf |
| Installation type | Insert |
| Lighting | LED |
| Filters | Metallic grease filter, removable and washable Combined regenerable Carbon.Zeo filter (optional) |
| Ducting type | |
| Dimensions | 30 in |
| Minimum Electric hob distance | 21 in |
| Minimum Gas hob distance | 21 in |
| Notes | Availability Carbon.Zeo filter KACL.961 for hoods produced from 02/05/2021. Availability Carbon.Zeo filter KACL.1039 for hoods produced from Sept. 2024 Recommended mounting height from cooking surface to hood bottom: 20". |



Photograph is for information purposes only. May not correspond to the selected version

ELECTRICAL CONNECTION AND CONSUMPTION

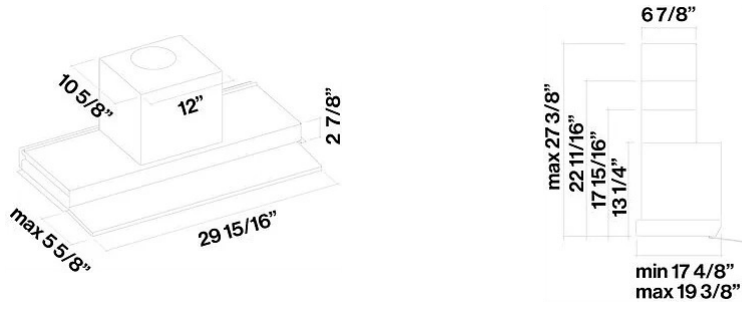
| | |
|----------------------------|---------------|
| Maximum consumption | 280 W |
| Voltage/Frequency | 110-120V 60Hz |

BLOWER PERFORMANCE

| | |
|----------------------------|---------------------------------|
| Motor | 500 CFM |
| Minimum sound level | 0 dB (A)re1pW I.E.C. 60704-2-13 |
| Maximum sound level | 0 dB (A)re1pW I.E.C. 60704-2-13 |

WEIGHTS AND DIMENSIONS

| | |
|-----------------------------|-------------------|
| Gross weight | 38 lbs |
| Net weight | 36 lbs |
| Volume | 4 ft |
| Packaging dimensions | L 0 x H 0 x D0 in |



OPTIONAL ACCESSORIES

| Code | Description |
|--------------|---|
| KACL.815 | Protective cleaning cloths for stainless steel (box 10 pcs) |
| KCVJN.01#3 | Kit Chimney Virgola-Move H120 Stainless Steel |
| KCVJN.00#3 | KIT CHIMNEY VIRGOLA-MOVE H=185 + Ext. H=185 Stainless Steel |
| KACL.798#21F | FDNUVMTR600 - Motor 600 CFM for North America |
| KACL.1039 | Carbon.Zeo Microtech renewable filter |
| KACL.1059 | |