

<b>Version</b>	FDMOV36W5SB / Built-in 36" (90 cm) - Black - 500 CFM
<b>Collection</b>	Design

**FEATURES AND PROPERTIES**

<b>Materials/Finishes</b>	Scotch brite stainless steel (AISI 304)
<b>Materials/Finishes</b>	Lower part in black tempered glass
<b>Features</b>	Sliding door
<b>Control</b>	Electronic control
<b>Ducting type</b>	Extracting/Filtering
<b>Chimney</b>	Possible to duct wall mounted from rear Optional Chimney
<b>Shelf</b>	Optional glass shelf
<b>Installation type</b>	Insert
<b>Lighting</b>	LED
<b>Filters</b>	Metallic grease filter, removable and washable Combined regenerable Carbon.Zeo filter (optional)
<b>Ducting type</b>	
<b>Dimensions</b>	36 in
<b>Minimum Electric hob distance</b>	21 in
<b>Minimum Gas hob distance</b>	21 in
<b>Notes</b>	Availability Carbon.Zeo filter KACL.961 for hoods produced from 02/05/2021.  Availability Carbon.Zeo filter KACL.1039 for hoods produced from Sept. 2024  Recommended mounting height from cooking surface to hood bottom: 20"



Photograph is for information purposes only. May not correspond to the selected version

**ELECTRICAL CONNECTION AND CONSUMPTION**

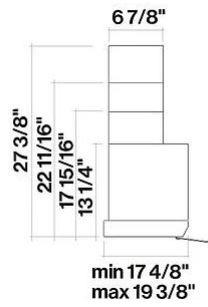
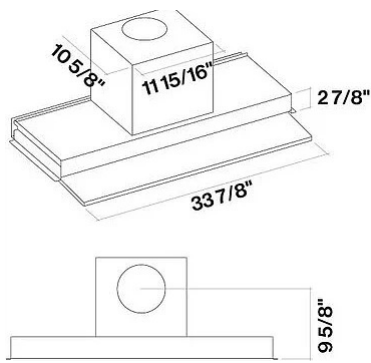
<b>Maximum consumption</b>	280 W
<b>Voltage/Frequency</b>	110-120V 60Hz
<b>Connection type</b>	Hood comes standard with Nema 5-15P power cord

**BLOWER PERFORMANCE**

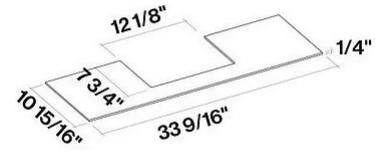
<b>Motor</b>	500 CFM
<b>Minimum sound level</b>	0 dB (A)re1pW I.E.C. 60704-2-13
<b>Maximum sound level</b>	0 dB (A)re1pW I.E.C. 60704-2-13

**WEIGHTS AND DIMENSIONS**

<b>Gross weight</b>	45 lbs
<b>Net weight</b>	38 lbs
<b>Volume</b>	7 ft
<b>Packaging dimensions</b>	L 40 x H 17 x D19 in



Optional chimney



Optional shelf

## OPTIONAL ACCESSORIES

Code	Description
KACL.815	Protective cleaning cloths for stainless steel (box 10 pcs)
KACL.107	Glass shelf 90 cm
KCVJN.01#3	Kit Chimney Virgola-Move H120 Stainless Steel
KCVJN.00#3	KIT CHIMNEY VIRGOLA-MOVE H=185 + Ext. H=185 Stainless Steel
KACL.798#21F	FDNUVMTR600 - Motor 600 CFM for North America
KACL.1039	Carbon.Zeo Microtech filter