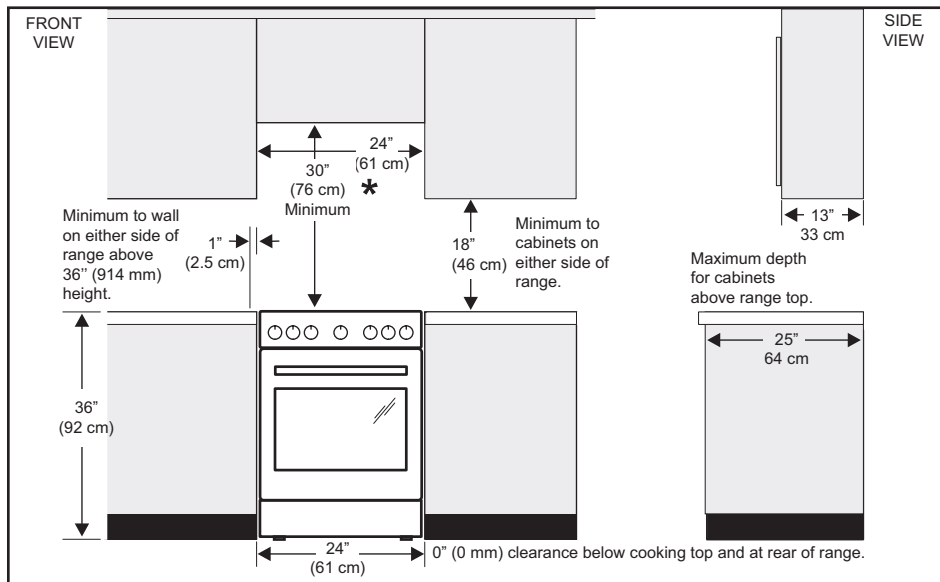


24" ELECTRIC RANGE INSTALLATION INSTRUCTIONS

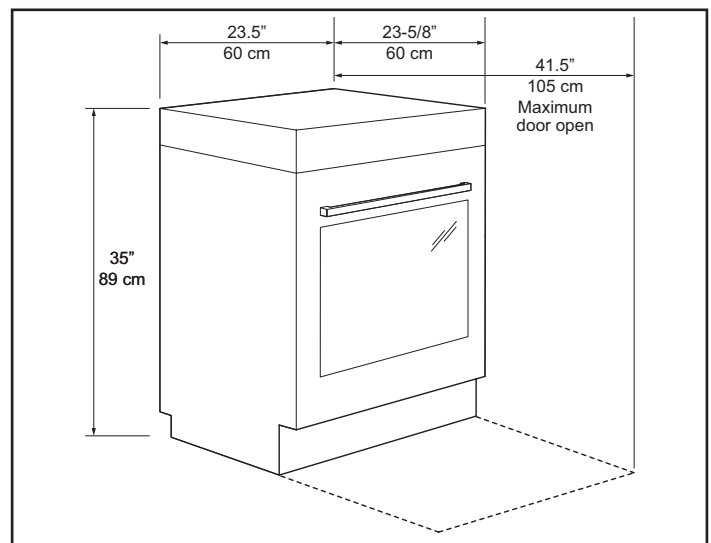
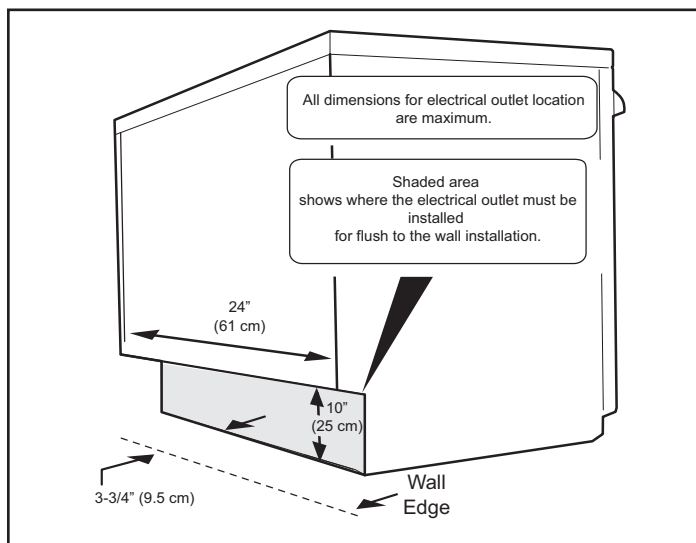
INSTALLATION AND SERVICE MUST BE PERFORMED BY A QUALIFIED INSTALLER. IMPORTANT: SAVE FOR LOCAL ELECTRICAL INSPECTOR'S USE. READ AND SAVE THESE INSTRUCTIONS FOR FUTURE REFERENCE.

Clearances and Dimensions

1. **Provide adequate clearances** between the range and adjacent combustible surfaces.
2. **Location—Check location** where the range will be installed. Check for proper electrical supply, and the stability of the floor.
3. **Dimensions that are shown must be used.** Given dimensions provide minimum clearance. Contact surface must be solid and level.



Refer to your serial plate for applicable agency certifications



*30" (762 mm) MINIMUM CLEARANCE BETWEEN THE TOP OF THE COOKING SURFACE AND THE BOTTOM OF AN UNPROTECTED WOOD OR METAL CABINET; OR 24" (610 mm) MINIMUM WHEN BOTTOM OF WOOD OR METAL CABINET IS PROTECTED BY NOT LESS THAN 1/4" (6 mm) FLAME RETARDANT MILLBOARD COVERED WITH NOT LESS THAN NO. 28 MSG SHEET STEEL, 0.015" (0.4 mm) STAINLESS STEEL, 0.024" (0.6 mm) ALUMINUM OR 0.020" (0.5 mm) COPPER. 0" (0 mm) CLEARANCE IS THE MINIMUM FOR THE REAR OF THE RANGE. FOLLOW ALL DIMENSION REQUIREMENTS PROVIDED ABOVE TO PREVENT PROPERTY DAMAGE, POTENTIAL FIRE HAZARD, AND INCORRECT COUNTERTOP AND CABINET CUTS.

TO ELIMINATE THE RISK OF BURNS OR FIRE BY REACHING OVER HEATED SURFACE UNITS, CABINET STORAGE SPACE LOCATED ABOVE THE SURFACE UNITS SHOULD BE AVOIDED. IF CABINET STORAGE IS TO BE PROVIDED, THE RISK CAN BE REDUCED BY INSTALLING A RANGE HOOD THAT PROJECTS HORIZONTALLY A MINIMUM OF 5" (127 mm) BEYOND THE BOTTOM OF THE CABINETS.

24" ELECTRIC RANGE INSTALLATION INSTRUCTIONS

IMPORTANT SAFETY INSTRUCTIONS

⚠ WARNING FOR YOUR SAFETY: Do not store or use gasoline or other flammable vapors and liquids in the vicinity of this or any other appliance.

- Be sure to keep the appliance clear of combustible materials, gasoline, and other flammable vapors and liquids.
- Stepping, leaning, or sitting on the oven door or drawer can result in serious injuries and also cause damage to the appliance.
- If the information in this manual is not followed exactly, a fire or electrical shock may result causing property damage, personal injury or death.

⚠ WARNING If the information in this manual is not followed exactly, a fire or electrical shock may result causing property damage, personal injury or death.

Important Notes to the Installer:

- Read all instructions contained in these installation instructions before installing range.
- Remove all packing material from the oven compartments before connecting the gas & electrical supply to the range.
- Observe all governing codes and ordinances.
- Be sure to leave these instructions with the consumer.

Important Notes to the Consumer:

Keep these instructions with your owner's guide for future reference.

- As when using any appliance generating heat, there are certain safety precautions you should follow. These are listed in the Use & Care Guide, read it carefully.
- Be sure your range is installed and grounded properly by a qualified installer or service technician.
- Make sure the wall coverings around the range can withstand the heat generated by the range.
- To eliminate the need to reach over the surface elements, cabinet storage space above the elements should be avoided.

Before Starting

Tools You May Need

For leveling legs and Anti-Tip Bracket:

- Adjustable wrench or channel lock pliers
- 5/16" Nutdriver or Flat Head Screwdriver
- Electric Drill & 1/8" Diameter Drill Bit (Masonry Drill Bit if installing in concrete)
- Level & Measuring Tape


For electrical supply connection:

- 1/4" & 3/8" Socket driver or Nutdriver

Additional Materials You Will Need:


- Power Supply Cord or
- Copper Electrical Wiring & Metal Conduit (for hard wiring)

⚠ WARNING Tip Over Hazard

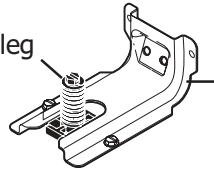


- A child or adult can tip the range and be killed.
- Verify the anti-tip device has been installed to floor or wall.

- Ensure the anti-tip device is re-engaged to floor or wall when the range is moved.
- Do not operate the range without the anti-tip device in place and engaged.
- Failure to follow these instructions can result in death or serious burns to children and adults.



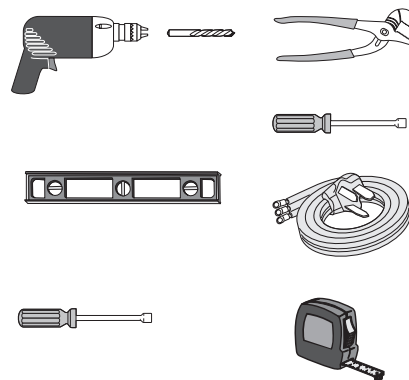
Range leveling leg



Anti-tip bracket

To check if the anti-tip bracket is installed properly, use both arms to grasp the rear edge of the range back. Carefully attempt to tilt range forward. When properly installed, the range should not tilt forward.

Refer to the anti-tip bracket installation instructions supplied with your range for proper installation.



24" ELECTRIC RANGE INSTALLATION INSTRUCTIONS

Normal Installation Steps

1. Anti-Tip Bracket Installation Instructions

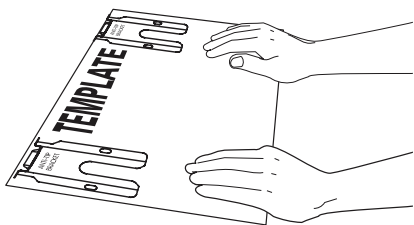
Important Safety Warning

To reduce the risk of tipping of the range, the range should be secured to the floor by properly installed anti-tip bracket and screws packed with the range. Failure to install the anti-tip bracket will allow the range to tip over if excessive weight is placed on an open door or if a child climbs upon it. Serious injury might result from spilled hot liquids or from the range itself.

If range is ever moved to a different location, the anti-tip brackets must also be moved and installed with the range.

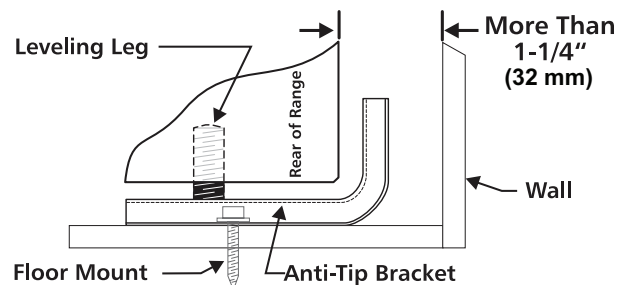
Instructions are provided for installation in wood or cement fastened to either the floor or wall. When installed to the wall, make sure that screws completely penetrate dry wall and are secured in wood or metal. When fastening to the floor or wall, be sure that screws do not penetrate electrical wiring or plumbing.

A. Locate the Bracket Using the Template - (Bracket may be located on either the left or right side of the range. Use the information below to locate the bracket if template is not available). Mark the floor or wall where left or right side of the range will be located. If rear of range is against the wall or no further than 1-1/4" (32 mm) from wall when installed, you may use the wall or floor mount method. If molding is installed and does not allow the bracket to fit flush against the wall, remove molding or mount bracket to the floor. For wall mount, locate the bracket by placing the back edge of the template against the rear wall and the side edge of template on the mark made referencing the side of the range. Place bracket on top of template and mark location of the screw holes in wall. If rear of range is further than 1-1/4" (32 mm) from the wall when installed, attach bracket to the floor. For floor mount, locate the bracket by placing back edge of the template where the rear of the range will be located. Mark the location of the screw holes, shown in template.

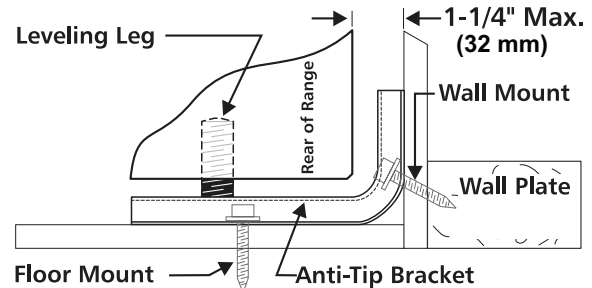


B. Drill Pilot Holes and Fasten Bracket - Drill a 1/8" (3 mm) pilot hole where screws are to be located. If bracket is to be mounted to the wall, drill pilot hole at an approximate 20° downward angle. If bracket is to be mounted to masonry or ceramic floors, drill a 5/32" (4 mm) pilot hole 1-3/4" (44 mm) deep. The screws provided may be used in wood or concrete material. Use a 5/16" (8 mm) nut-driver or flat head screwdriver to secure the bracket in place.

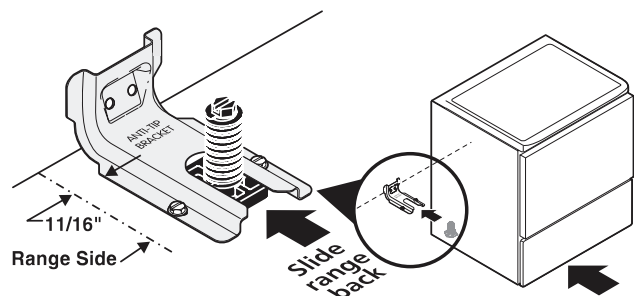
FASTEN BRACKET (FLOOR MOUNTING ONLY)



FASTEN BRACKET (WALL OR FLOOR MOUNTING)



C. Level and Position Range - Level range by adjusting the (4) leveling legs with a wrench. Note: A minimum clearance of 1/8" (3 mm) is required between the bottom of the range and the leveling leg to allow room for the bracket. Use a spirit level to check your adjustments. Slide range back into position. Visually check that rear leveling leg is inserted into and fully secured by the Anti-Tip Bracket by removing lower panel or storage drawer. For models with a warmer drawer or broiler compartment, grasp the top rear edge of the range and carefully attempt to tilt it forward.



2. Electrical Connection Requirements

⚠ WARNING Avoid fire hazard or electrical shock. Failure to follow this warning may cause serious injury, fire, or death.

This appliance must be properly installed and grounded by a qualified technician in accordance with the National Electrical Code ANSI/NFPA No. 70 -- latest edition -- and Local Electrical Code requirements.

This appliance may be connected by means of "permanent wiring" or power supply cord kit."

24" ELECTRIC RANGE INSTALLATION INSTRUCTIONS

When installing permanent wiring, do not leave excess wire in range compartment. Excess wire in the range compartment may not allow the rear access cover to be replaced properly and could create a potential electrical hazard if wires become pinched. Connect only as instructed under "Permanent Wire Connections" in Step 4c. When using flexible conduit or range cable use flex connector or range cable strain relief.

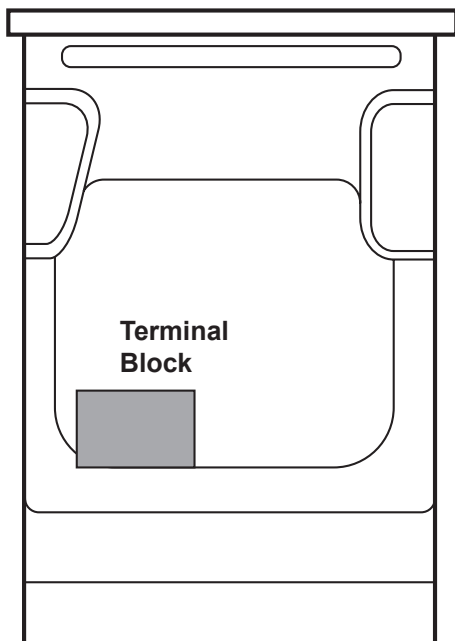
2.1 Electrical Connection Requirements (U.S.A. only)

This appliance must be properly installed and grounded by a qualified technician in accordance with the National Electrical Code ANSI/NFPA No. 70-latest edition- and local electrical code requirements.

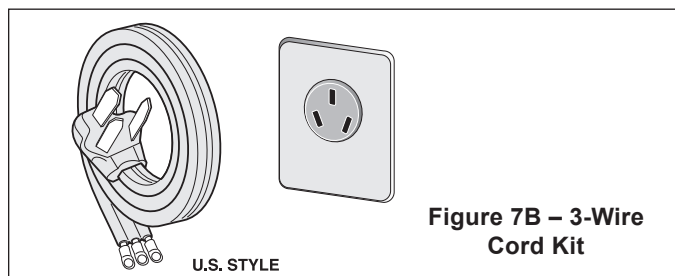
This appliance may be connected by means of permanent "Hard Wiring" or "Power Supply Cord Kit."

When hard wiring, do not leave excess wire in range compartment. Excess wire in the range compartment may not allow the access cover to be replaced properly, and could create a potential electrical hazard if wires become pinched. When using flexible conduit or range cable, use flex connector or range cable strain relief.

NOTE: Only use copper wire in connection to terminal block.



2.2 Models Requiring Power Supply Cord Kit



The user is responsible for connecting the power supply cord to the connection block located behind the back panel access cover.

This appliance may be connected by means of permanent "hard wiring"; flexible armored or nonmetallic shielded copper cable (when local code allow it) or by means of a power supply cord kit.

NOTE: Electric slide-in range is shipped from factory with 1 1/8" (2.9 cm) dia. hole as shown on figure 9. If a larger hole is required, punch out the knockout.

⚠ WARNING Risk of fire or electrical shock exists if an incorrect size range cord kit is used, the Installation Instructions are not followed, or the strain relief bracket is discarded.

For mobile homes, new installation or recreational vehicles, use only a power cord kit design for a range at 125V /250V 50A recommended (minimum 40A). Cord must have either 3 (when local code permits grounding through neutral) or 4 conductors. Terminal on end of wires must be either closed loop or open spade lug with upturned ends. Cord must have strain-relief clamp. If a 50A circuit is used, a 50A power cord must be used.

⚠ CAUTION Do not loosen the nuts which secure the factory-installed range wiring to terminal block while connecting range. Electrical failure or loss of electrical connection may occur.

⚠ WARNING

Electrical Shock Hazard

- Electrical ground is required on this appliance.
- Do not connect to the electrical supply until appliance is permanently grounded.
- Disconnect power to the circuit breaker or fuse box before making the electrical connection.
- This appliance must be connected to a grounded, metallic, permanent wiring system, or a grounding connector should be connected to the grounding terminal or wire lead on the appliance.

Failure to do any of the above could result in a fire, personal injury or electrical shock.

⚠ WARNING This appliance is manufactured with the frame grounded by connection of a grounding strap between the neutral power supply terminal and the frame. If used in USA, in a new branch circuit installation (1996 NEC), mobile home or recreational vehicle, where local code do not permit grounding through neutral (white) wire or in Canada; remove the grounding strap from the frame and cut the other end, near the neutral terminal. Connect the appliance in usual manner.

24" ELECTRIC RANGE INSTALLATION INSTRUCTIONS

Three Conductor Wire Connection to Range

If local codes permit connection of the frame grounding conductor to the neutral wire of the copper power supply cord (see Figure 8):

1. Remove the screws from the access plate at the lower right end of the rear cover to expose range terminal connection block.
2. Using the nuts supplied in the literature package, connect the neutral of the copper power supply cord to the center silver-colored terminal of the terminal block, and connect the other wires to the outer terminals. Match wires and terminals by color (red wires connected to the right terminal, black wires connected to the left terminal) (see Figure 8).
3. Replace the terminal cover and replace the screws.

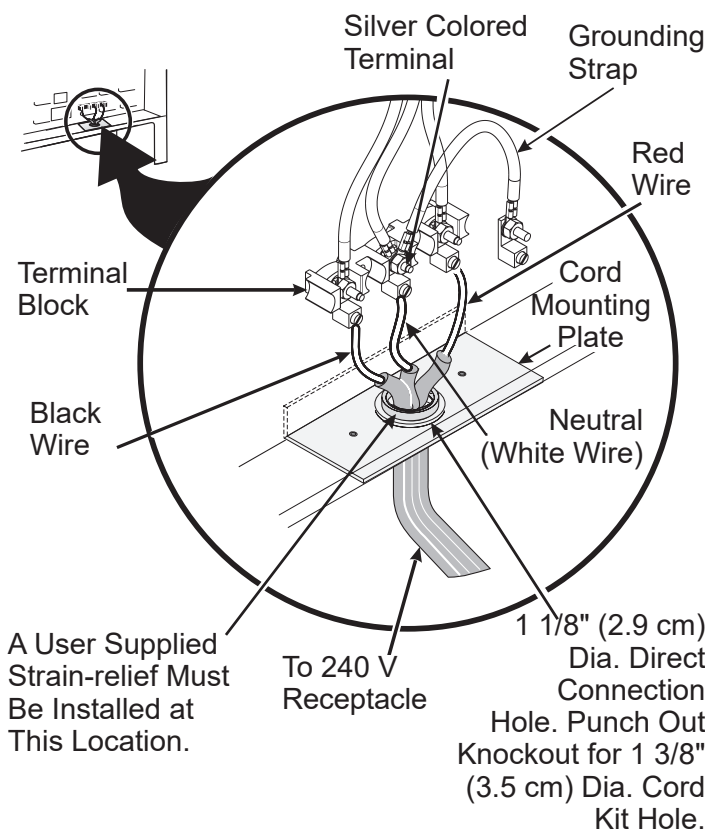


Figure 8

Four Conductor Wire Connection to Range

Where local codes does NOT permit connection of the frame grounding conductor to the neutral wire of the copper power supply cord (see Figure 9):

1. Remove the screws from the access plate at the lower right end of the rear cover to expose range terminal connection block.
2. Remove the grounding strap from the terminal block and from the appliance frame.
3. Using the nuts supplied with the literature package, connect the ground wire (green) of the copper power supply cord to the frame of the appliance with the ground screw, using the hole in the frame where the ground strap was removed (see Figure 9).
4. Connect the neutral of the copper power supply cord to the center silver-colored terminal of the terminal block, and connect the other wires to the outer terminals. Match wires and terminals by color (red wires connected to the right terminal, black wires connected to the left terminal).
5. Replace the terminal cover and replace the screws.

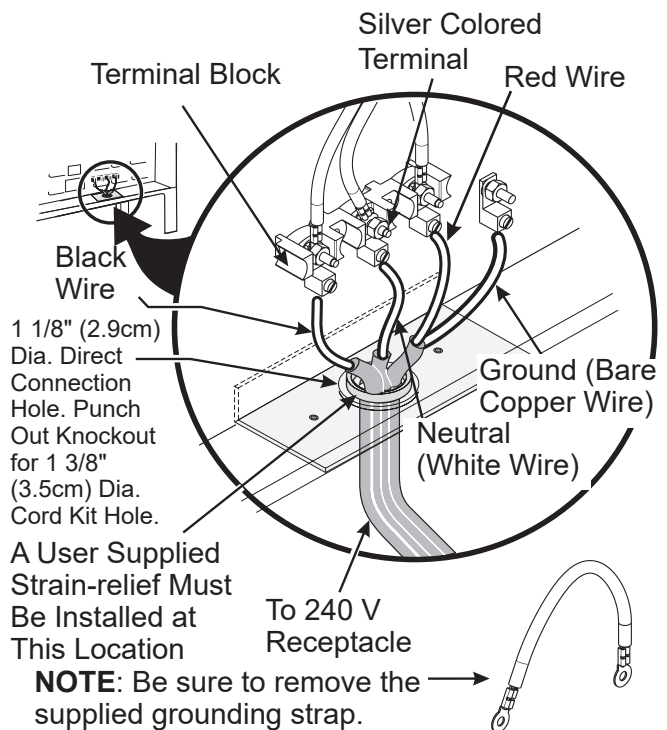


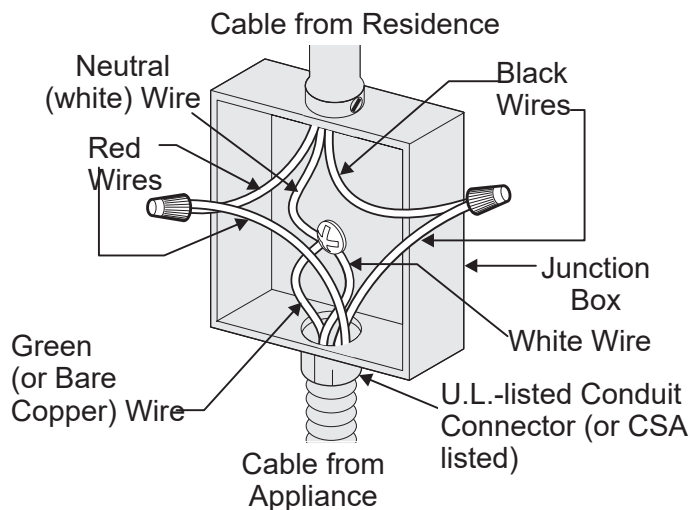
Figure 9

24" ELECTRIC RANGE INSTALLATION INSTRUCTIONS

Direct Electrical Connection to the Circuit Breaker, Fuse Box or Junction Box

If the appliance is connected directly to the circuit breaker, fuse box or junction box, use flexible, armored or nonmetallic sheathed copper cable (with grounding wire). Supply a U.L. listed strain-relief at each end of the cable. At the appliance end, the cable goes through the Direct Connection Hole (see Figure 9) on the Cord Mounting Plate. Wire sizes (copper wire only) and connections must conform to the rating of the appliance. Where local codes permit connecting the appliance-grounding conductor to the neutral (white) wire (see Figure 10):

1. Be sure that no power is supplied on the cable from residence.
2. Follow instructions on previous page for Four Conductor Wire Connection to Range (Fig. 9).
3. In the circuit breaker, fuse box or junction box (Fig. 10):
 - a) Connect the green (or bare copper) wire, the white appliance cable wire, and the neutral (white) wire together.
 - b) Connect the 2 black wires together.
 - c) Connect the 2 red wires together.



NOTE: Be sure to connect the supplied ground strap to the terminal block.

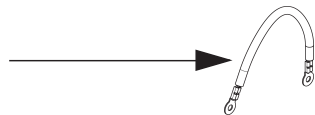
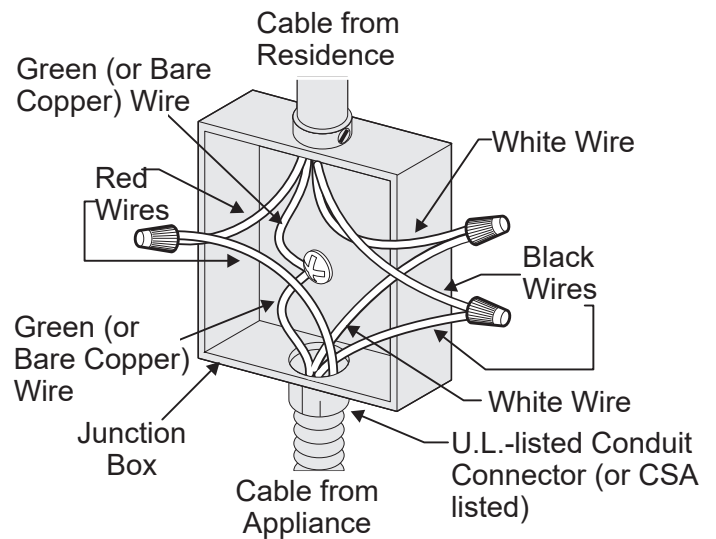


Figure 10
3-Wire (Grounded Neutral) Electrical System
(Example: Junction Box)

Where local codes DO NOT permit connecting the appliance-grounding conductor to the neutral (white) wire, or if connecting to 4-wire electrical system (see Figure 11):

1. Be sure that no power is supplied on the cable from residence.
2. Follow instructions on previous page for Four Conductor Wire Connection to Range (Fig. 9).
3. In the circuit breaker, fuse box or junction box (Fig. 11):
 - a) Connect the white appliance cable wire to the neutral (white) wire.
 - b) Connect the 2 black wires together.
 - c) Connect the 2 red wires together.
 - d) Connect the green (or bare copper) grounding wire to the grounding wire of the circuit breaker, fuse box or junction box.



NOTE: Be sure to remove the supplied grounding strap.

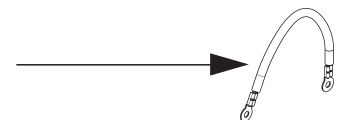


Figure 11
4-Wire Electrical System
(Example: Junction Box)

24" ELECTRIC RANGE INSTALLATION INSTRUCTIONS

Model and Serial Number Location

The serial plates are located on the oven front frame, visible when the door is open, and on the back of the appliance near the bottom.

When ordering parts for or making inquiries about your range, always be sure to include the model and serial numbers and a lot number or letter from the serial plate on your range.

Your serial plate also tells you the Kilowatt rating (power requirements) and Voltage ratings

Care, Cleaning and Maintenance

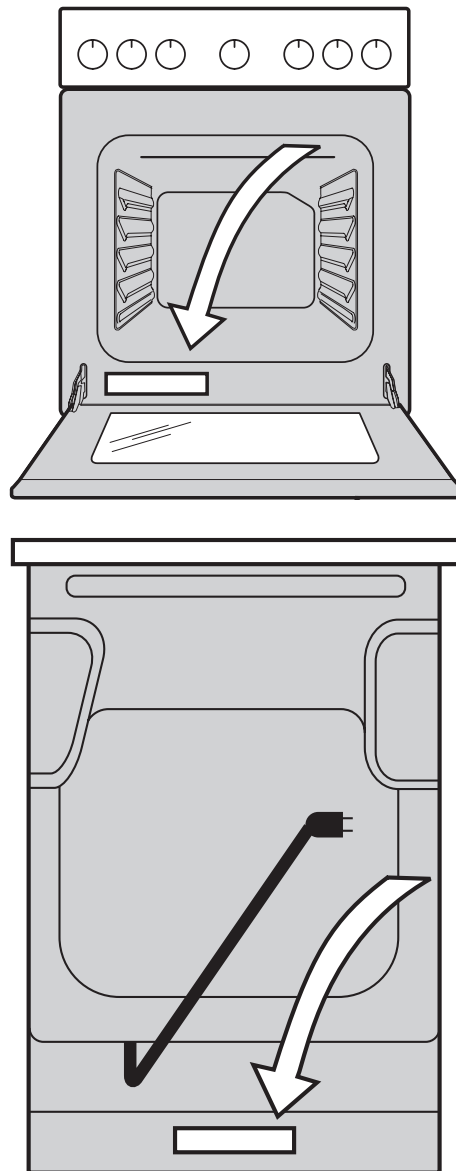
Refer to the [Use & Care Manual](#) for cleaning instructions.

If removing the range is necessary for cleaning or maintenance, disconnect the electrical power supply. If the electrical supply is inaccessible, lift the unit slightly at the front and pull out away from the wall. Pull only as far as necessary to disconnect the electrical supply. Finish removing the unit for servicing and cleaning. Reinstall in reverse order making sure to level the range and check electrical connections. See pages 2 and 3 for proper anchoring instructions.

Before You Call for Service

Read the "Before You Call" and operating instruction sections in your [Use & Care Manual](#). It may save you time and expense. The list includes common occurrences that are not the result of defective workmanship or materials in this appliance.

Refer to the warranty in your [Use & Care Manual](#) for our toll-free service number and address. Please call or write if you have inquiries about your range product and/or need to order parts.

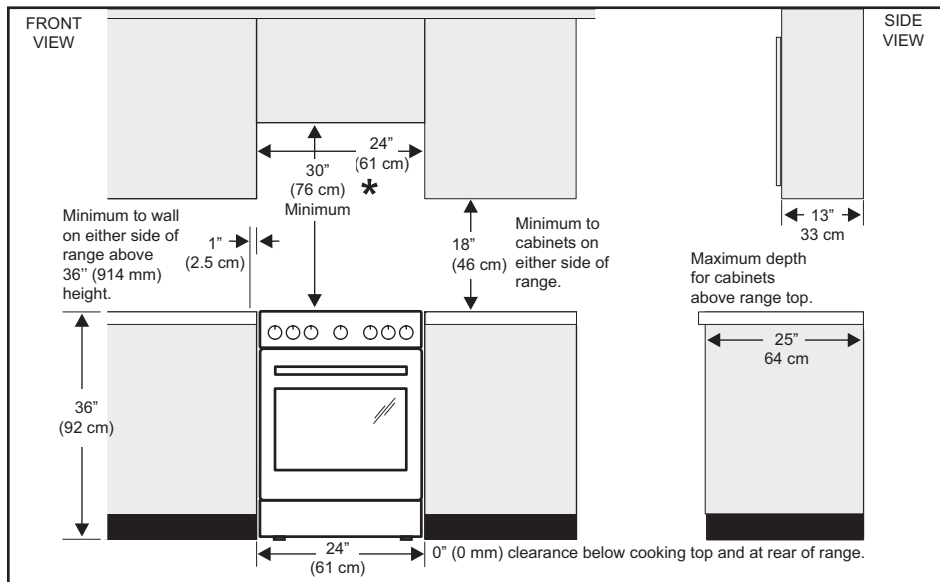


INSTRUCCIONES DE INSTALACION LA ESTUFA ELECTRICA DE 24"

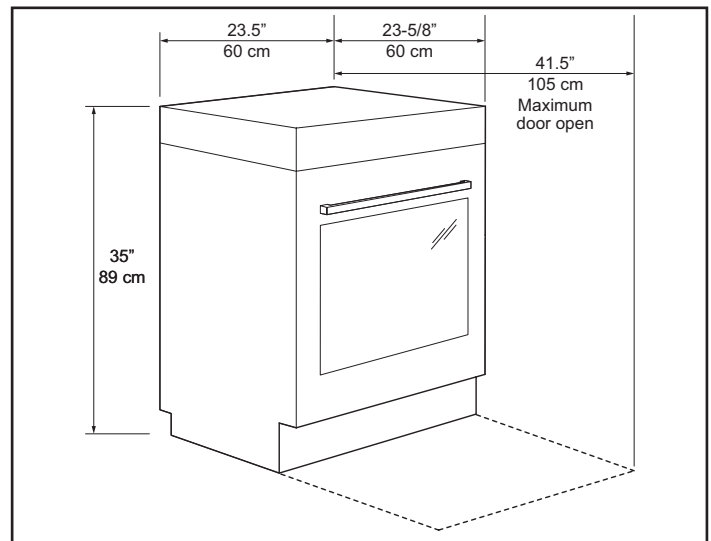
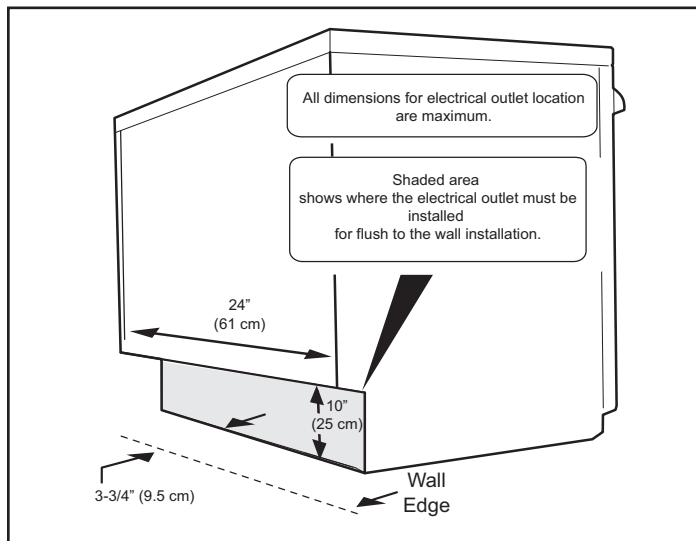
LA INSTALACION Y EL SERVICIO DEBEN SER EFECTUADOS POR UN INSTALADOR CALIFICADO.
**IMPORTANTE: CONSERVE ESTAS INSTRUCCIONES PARA USO DEL INSPECTOR LOCAL DE ELECTRICIDAD.
 LEA Y CONSERVE ESTAS INSTRUCCIONES PARA REFERENCIA FUTURA.**

Espacios y dimensiones

1. Proporcione espacios adecuados entre la estufa y las superficies combustibles adyacentes.
2. Ubicación—Examine el lugar en el cual va a ser instalada la estufa. Determine la existencia de suministro eléctrico adecuado y la estabilidad del piso.
3. Se deben usar las medidas indicadas. Las dimensiones indicadas proporcionan espacio mínimo. La superficie de contacto debe ser sólida y estar a nivel.



Consulte la placa de serie para obtener las certificaciones correspondientes de la agencia.



Un mínimo de 30" (762mm) de espacio entre la parte superior de la superficie para estufa y el fondo no protegido de un gabinete de metal o madera; o un mínimo de 24" (610mm) cuando el fondo de metal o madera del gabinete esta protegido por no menos de 1/4" (6mm) de material retardante, con una hoja de acero de no menos MSG No.28, 0.015" (0.4mm) de acero inoxidable, 0.024" (0.6mm) de aluminio o 0.020" (0.5mm) de cobre. 0" (0mm) es el espacio mínimo para la parte trasera de la estufa. Siga todos los requerimientos de medidas antes proporcionados para evitar daños a la propiedad: peligro de encendidos potenciales o superficies y cortes de gabinetes que sean incorrectos.

Para eliminar el riesgo de quemaduras o incendio cuando trate de alcanzar objetos por sobre unidades de superficie calentadas, debe evitarse que los gabinetes para almacenamiento están localizados encima de la superficie de la estufa. Si existen gabinetes de almacenamiento, el riesgo puede ser reducido instalando una campana de estufa que se proyecte en forma horizontal a una distancia mínima de 5" (127mm) mas ala del fondo de los gabinetes.

INSTRUCCIONES IMPORTANTES DE SEGURIDAD

⚠ ADVERTENCIA PARA SU SEGURIDAD: No almacene ni use gasolina u otros vapores y líquidos inflamables cerca de este o cualquier otro electrodoméstico.

- Asegúrese de mantener el aparato alejado de materiales combustibles, gasolina y otros vapores y líquidos inflamables.
- Darse un paso, inclinarse o sentarse en la puerta del horno o en el cajón puede provocar lesiones graves y también dañar el aparato.
- Si no se sigue exactamente la información de este manual, se puede producir un incendio o una descarga eléctrica que cause daños a la propiedad, lesiones personales o la muerte.

⚠ ADVERTENCIA Si no se sigue estrictamente la información de este manual, se puede producir un incendio o un choque eléctrico que cause daños materiales, lesiones corporales o fatales.

Notas Importantes para el Instalador:

- Lea todas las instrucciones indicadas en estas instrucciones de instalación antes de instalar la estufa.
- Saque todo el material de empaque del compartimiento del horno antes de conectar el suministro de gas y de electricidad a la estufa.
- Observe todos los códigos y reglamentos vigentes.
- Asegúrese de dejar estas instrucciones con el usuario.

Aviso importante al consumidor:

- Mantenga estas instrucciones con su Guía de Uso y Cuidado para referencia futura.
- Al igual que con cualquier electrodoméstico que genere calor, existen ciertas precauciones de seguridad que usted debe seguir. Tales precauciones se encuentran en la Guía de Uso y Cuidado, léala atentamente.
- Asegúrese de que la estufa esté bien instalada y sea puesta a tierra en forma debida por un instalador calificado o un técnico de servicio.
- Asegúrese de que el revestimiento de la pared alrededor de la estufa pueda resistir el calor generado por la estufa.
- Para eliminar la necesidad de tener que pasar sobre los elementos, se recomienda no instalar armarios arriba los elementos de la cubierta de la estufa.

Antes de empezar

Herramientas que puede necesitar

Para nivelar patas y soporte antivuelco:

- Llave ajustable o alicates de bloqueo de canal
- Destornillador de cabeza plana o destornillador de 5/16"
- Taladro eléctrico y 1/8" de diámetro

Broca de taladro (Broca de albañilería si instalación en concreto)

- Nivel y cinta métrica

Para la conexión de alimentación eléctrica:

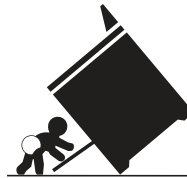
- Controlador de zócalo de 1/4" y 3/8" o Nutdriver

Materiales adicionales que necesitará:

- Cable de alimentación o
- Cableado eléctrico de cobre y conducto de metal (para cableado duro)

⚠ ADVERTENCIA

Riesgo de volcamiento

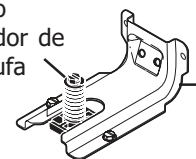


- Un niño o adulto puede volcar la estufa y acabar muerto.
- Verifique que se haya instalado el dispositivo antivuelco en el piso o en la pared.

- Asegúrese de que el dispositivo antivuelco se haya reacomplado cuando mueva la estufa sobre el piso o a la pared.
- No utilice la estufa sin el dispositivo antivuelco instalado y acoplado.
- Si no se siguen estas instrucciones, se puede provocar la muerte o quemaduras graves en niños y adultos.



Tornillo nivelador de la estufa



Soporte antivuelco

Para verificar si el soporte antivuelco está instalado correctamente, sostenga el borde trasero de la parte trasera de la estufa usando ambos brazos. Intente inclinar la estufa hacia adelante con cuidado. Si está instalada correctamente, la estufa no debería inclinarse hacia adelante.

Consulte las instrucciones de instalación del soporte antivuelco proporcionadas con la estufa para instalarlo adecuadamente.



INSTRUCCIONES DE INSTALACION LA ESTUFA ELECTRICA DE 24"

Pasos normales de instalación

1. Instrucción para la instalación del braquete anti-basculante

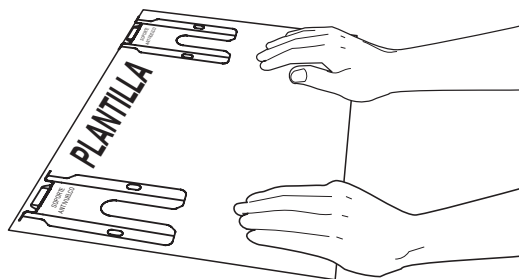
Nota importante de seguridad!

Para reducir el riesgo de inclinación de la cocina, ésta debe ser asegurada hacia el piso con las fijaciones de anti-inclinación y los tornillos que vienen con la cocina. Si no instala las fijaciones, corre el riesgo que su cocina pueda inclinarse si pone demasiado peso sobre la puerta abierta o si un niño sube sobre ésta. Esto podría ocasionar graves causadas por derrames de líquidos calientes o por la propia cocina.

Si la cocina es trasladada a otro lugar, las fijaciones de anti-inclinación deben también ser trasladadas y instaladas con la cocina.

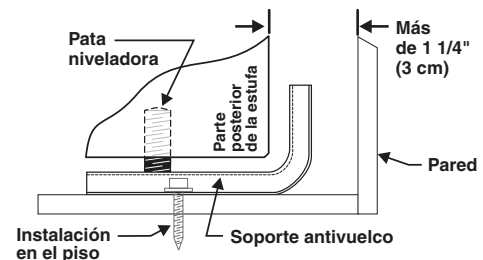
Las instrucciones son adecuadas para la instalación en pisos de madera o cemento sujeto ya sea en el piso o en la pared. Cuando se instala en la pared, asegúrese de que los tornillos penetren completamente en la misma y que estén asegurados en madera o metal. Cuando se asegura al piso o en la pared, asegúrese de que los tornillos no penetren ningún cableado eléctrico o plomería.

A. Ubicación del soporte utilizando la plantilla - (El soporte puede ser ubicado ya sea en el lado izquierdo o derecho de la estufa. Usa la siguiente información para ubicar el soporte si la plantilla no está disponible). Marque el piso o la pared donde se colocará el costado izquierdo o derecho de la estufa. Si la parte trasera de la estufa será colocada contra la pared o a no más de 1-1/4" (32mm) de la pared cuando ya esté instalada, usted puede usar el método de instalación en el piso o en la pared. Si tiene moldura instalada y ésta no permite que el soporte quede a ras contra la pared, retire la moldura o instale el soporte en el piso. Para el montaje en la pared, ubique la plantilla colocando el borde trasero de la plantilla contra la pared trasera y el borde lateral de la plantilla en la marca hecha indicando el costado de la estufa. Coloque el soporte sobre la plantilla y marque la ubicación de los agujeros de los tornillos en la pared. Si la parte trasera de la estufa está a más de 1-1/4" (32mm) de la pared cuando ya está instalada, instale el soporte en el piso.

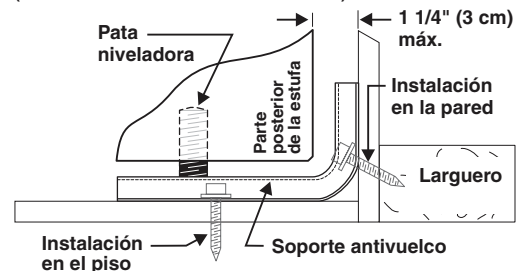


B. Taladre un agujero piloto de 1/8" (3mm) donde se vayan a instalar los tornillos - Si el soporte va a ser instalado en la pared, taladre un agujero piloto en un ángulo descendente de aproximadamente 20°. Si el soporte va a ser instalado en pisos de mampostería o de cerámica, taladre un agujero piloto de 5/32" (4mm) y 1-3/4" (44mm) de profundidad. Los tornillos provistos pueden ser usados en materiales de madera o concreto. Use una llave de tuerca de 5/16" (8mm) o un destornillador de punta plana para asegurar el soporte en su lugar.

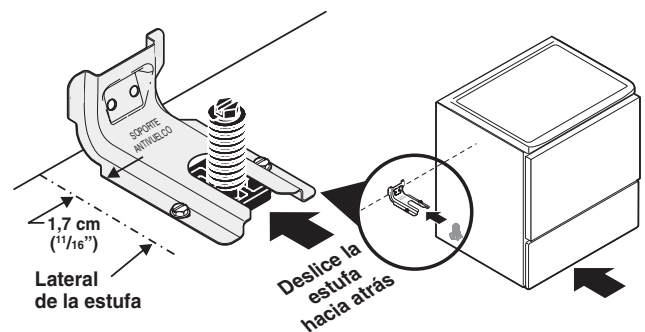
SOPORTE DE FIJACIÓN
(ÚNICAMENTE PARA INSTALACIÓN EN EL PISO)



SOPORTE DE FIJACIÓN
(INSTALACIÓN EN LA PARED O EL PISO)



C. Nivele y ubique la estufa - Nivele la estufa ajustando los cuatro (4) tornillos niveladores con una llave. Nota: Se debe dejar un espacio libre mínimo de 1/8" (3mm) entre la parte inferior de la estufa y los tornillos niveladores a fin de dejar espacio para instalar el soporte. Utilice un nivel de burbuja para comprobar sus ajustes. Deslice la estufa de nuevo a su lugar. Verifique visualmente si el tornillo nivelador trasero está insertado y firmemente asegurado por el soporte antivuelco retirando el panel inferior o la gaveta de almacenamiento. Para los modelos con una gaveta calentadora o compartimento asador, sujete la estufa desde el borde superior trasero y trate de inclinarla hacia adelante cuidadosamente.



2. Requisitos de conexión eléctrica

⚠ ADVERTENCIA Evite peligro de incendio o descarga eléctrica. El incumplimiento de esta advertencia puede causar lesiones graves, incendios o la muerte.

Este aparato debe estar instalado en forma apropiada y puesto a tierra por un técnico calificado, de acuerdo con el National Electric Code (Código Nacional de Electricidad) ANSI/NFPA No. 70 —última edición— y con los requerimientos de electricidad de los códigos locales.

Este aparato puede ser conectado por medio de una extensión a un tomacorriente local permanente o por medio de "Juego de Cordon para el Suministro de Energía".

INSTRUCCIONES DE INSTALACION LA ESTUFA ELECTRICA DE 24"

Cuando instale un cableado permanente, no deje el exceso de cable en el compartimento de rango. El exceso de cable en el compartimento de rango puede no permitir que la cubierta de acceso posterior sea reemplazada adecuadamente y podría crear un riesgo eléctrico potencial si los cables se pellizcan. Conéctelo únicamente como se indica en "Conexiones de cableado permanente" en el Paso 4c. Al usar un conducto flexible o cable de rango, use un conector flexible o un alivio de tensión del cable de rango.

2.1 Requisitos de conexión eléctrica (Solo en Estados Unidos)

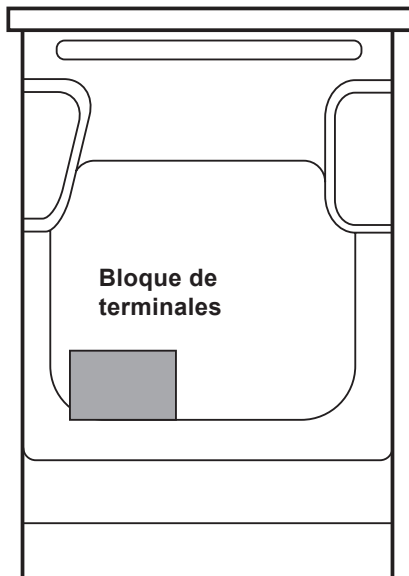
Este aparato debe estar instalado en forma apropiada y puesto a tierra por un técnico calificado, de acuerdo con el National Electric Code (Código Nacional de Electricidad) ANSI/NFPA No. 70 —última edición— y con los requerimientos de electricidad de los códigos locales.

Este aparato puede ser conectado por medio de una extensión a un tomacorriente local permanente o por medio de "Juego de Cordón para el Suministro de Energía".

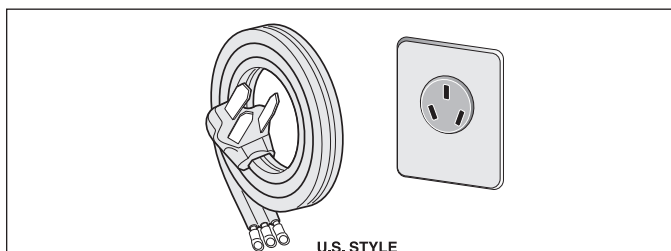
Cuando instale un cableado permanente, no deje el exceso de cable en el compartimento de rango. El exceso de cable en el compartimento de rango puede no permitir que la cubierta de acceso posterior sea reemplazada adecuadamente y podría crear un riesgo eléctrico potencial si los cables se pellizcan.

Al usar un conducto flexible o cable de rango, use un conector flexible o un alivio de tensión del cable de rango.

NOTA: Utilice únicamente cable de cobre en conexión al bloque de terminales.



2.2 Modelos que requieren kit de cable de alimentación



El usuario es responsable de conectar el cable de alimentación al bloque de conexión ubicado detrás de la cubierta de acceso del panel posterior.

Este aparato puede conectarse por medio de un "cableado permanente"; cable de cobre flexible blindado o no metálico blindado (cuando el código local lo permita) o por medio de un kit de cable de alimentación.

NOTA: El rango de deslizamiento eléctrico se envía de fábrica con un orificio de 1 1/8 " (29 mm) de diámetro, como se muestra en la figura 9. Si se requiere un orificio más grande, perforo el orificio ciego.

ADVERTENCIA Existe riesgo de incendio o descarga eléctrica si se utiliza un juego de cables de rango de tamaño incorrecto, no se siguen las instrucciones de instalación o se descarta el soporte de alivio de tensión.

Para casas móviles, instalaciones nuevas o vehículos recreativos, use solo un diseño de kit de cable de alimentación para un rango de 125V / 250V 50A recomendado (mínimo 40A). El cable debe tener 3 (cuando el código local permita la conexión a tierra a través del neutro) o 4 conductores. El terminal en el extremo de los cables debe estar en bucle cerrado o en una lengüeta de pala abierta con extremos girados hacia arriba. El cable debe tener abrazadera de alivio de tensión. Si se usa un circuito de 50A, se debe usar un cable de alimentación de 50A.

PRECAUCIÓN No afloje las tuercas que aseguran el cableado del rango instalado de fábrica al bloque de terminales mientras se conecta el rango. Se puede producir una falla eléctrica o la pérdida de la conexión eléctrica.

ADVERTENCIA

Peligro de descarga eléctrica

- Se requiere conexión a tierra eléctrica en este aparato.
- No conecte el suministro eléctrico hasta que el aparato esté conectado a tierra de forma permanente.
- Desconecte la energía del disyuntor o la caja de fusibles antes de hacer la conexión eléctrica.
- Este aparato debe conectarse a un sistema de cableado permanente, metálico y con conexión a tierra, o un conector a tierra debe conectarse al terminal de conexión a tierra o al cable del dispositivo.

Si no realiza cualquiera de las acciones anteriores, podría provocar un incendio, lesiones personales o descargas eléctricas.

ADVERTENCIA Este aparato se fabrica con el marco puesto a tierra mediante la conexión de una correa de conexión a tierra entre el terminal de alimentación neutro y el marco. Si se utiliza en EE. UU., En una instalación de circuito derivado nuevo (1996 NEC), en una casa móvil o en un vehículo recreativo, donde el código local no permite la conexión a tierra a través del cable neutro (blanco) o en Canadá; retire la correa de conexión a tierra del marco y corte el otro extremo, cerca del terminal neutral. Conecte el aparato de la manera habitual.

INSTRUCCIONES DE INSTALACION LA ESTUFA ELECTRICA DE 24"

Conexión del cable de tres conductores a la estufa

Si el código local permite la conexión a tierra del conductor del marco al cable neutro del cable de alimentación eléctrica de cobre (consulte la Figura 8):

1. Retire los tornillos de la placa de acceso en el extremo inferior derecho de la tapa posterior para dejar expuesto el bloque de conexión del terminal de la estufa.
2. Con las tuercas suministradas en el paquete con documentación, conecte el cable neutro del cable de alimentación eléctrica de cobre al terminal plateado central del bloque de terminales, y conecte los otros cables a los terminales exteriores. Una los cables y los terminales por color (los cables rojos conectados al terminal derecho, los cables negros conectados al terminal izquierdo) (consulte la Figura 8).
3. Vuelva a colocar la cubierta del terminal y vuelva a insertar los tornillos.

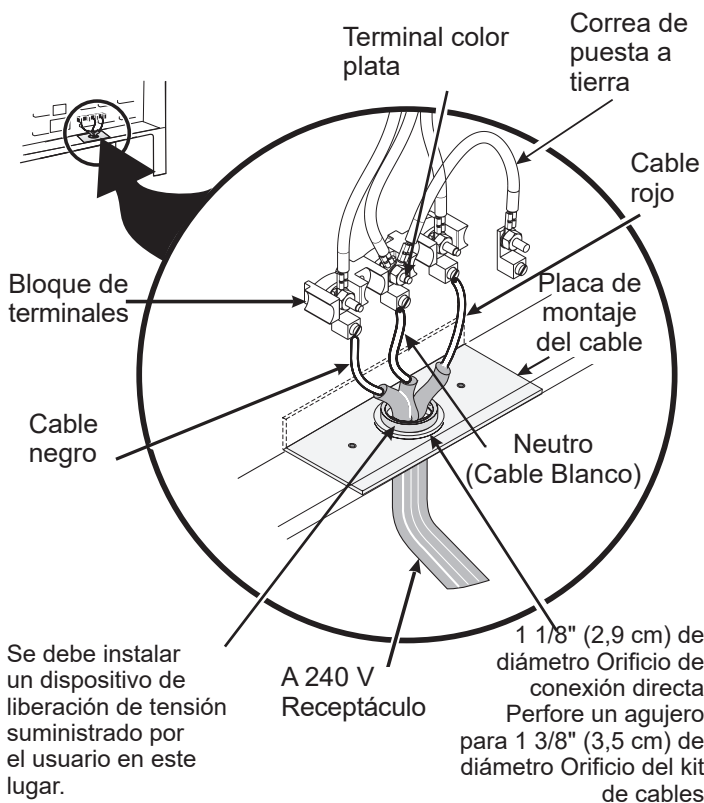


Figura 8

Conexión del cable de cuatro conductores a la estufa

En los casos en los que el código local NO permite la conexión a tierra del conductor del marco al cable neutro del cable de alimentación eléctrica de cobre (consulte la Figura 9):

1. Retire los tornillos de la placa de acceso en el extremo inferior derecho de la tapa posterior para dejar expuesto el bloque de conexión del terminal de la estufa.
2. Retire la cinta de puesta a tierra del bloque de terminales y del marco del electrodoméstico.
3. Con las tuercas suministradas en el paquete con documentación, conecte el cable de tierra (verde) del cable de alimentación eléctrica de cobre al marco del electrodoméstico con el tornillo a tierra, mediante el orificio que hay en el marco donde se retiró la cinta de puesta a tierra (consulte la Figura 9).
4. Conecte el cable neutro del cable de alimentación eléctrica de cobre al terminal plateado central del bloque de terminales, y conecte los otros cables a los terminales exteriores. Una los cables y los terminales por color (los cables rojos conectados al terminal derecho, los cables negros conectados al terminal izquierdo).
5. Vuelva a colocar la cubierta del terminal y vuelva a insertar los tornillos.

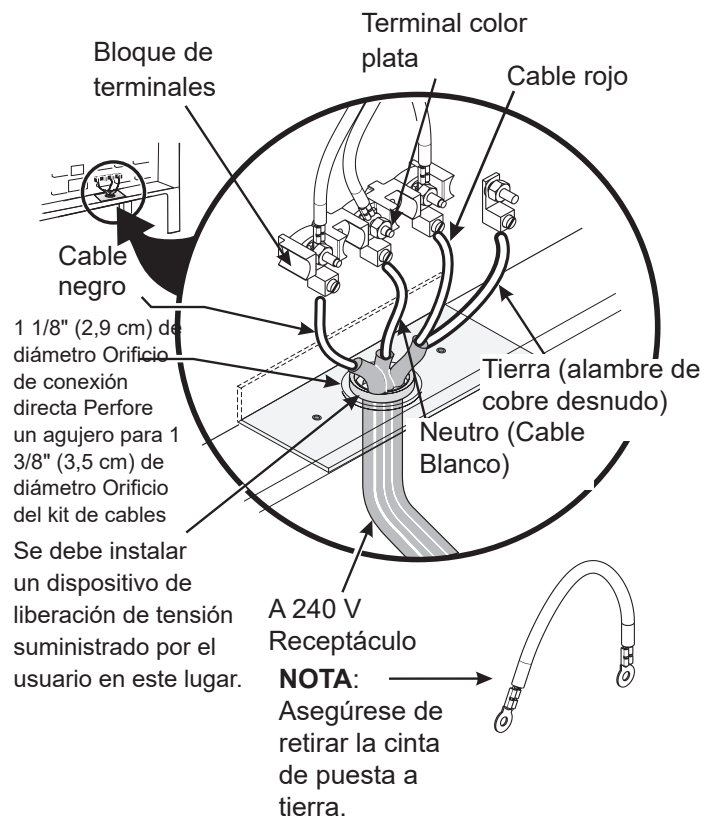


Figura 9

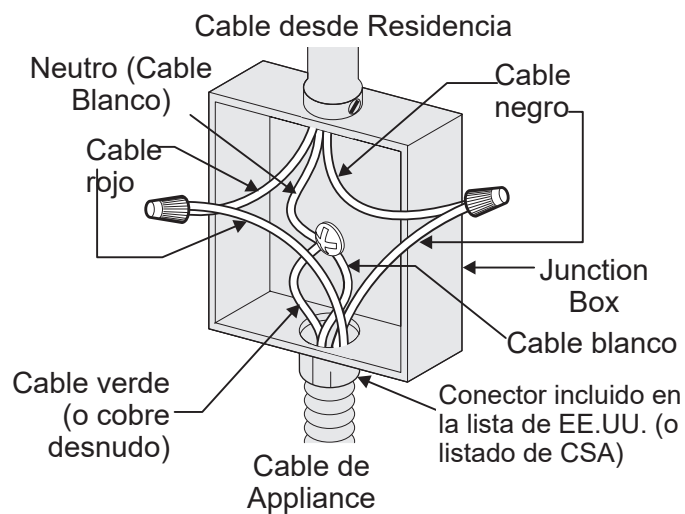
INSTRUCCIONES DE INSTALACION LA ESTUFA ELECTRICA DE 24"

Conexión eléctrica directa al disyuntor, la caja de fusibles o la caja de empalme

Si el electrodoméstico está conectado directamente al disyuntor, la caja de fusibles o la caja de empalmes, use un cable blindado flexible o de cobre forrado, no metálico (con el cable de conexión a tierra). Suministre el dispositivo de liberación de tensión aprobado por el UL en cada extremo del cable. En el extremo del electrodoméstico, el cable atraviesa el Orificio de conexión directa (consulte la Figura 9) en la Placa de instalación de los cables. Los tamaños de los cables (el cable de cobre únicamente) y las conexiones deben cumplir con la clasificación del electrodoméstico.

Donde los códigos locales permitan la conexión del conductor a tierra del electrodoméstico al cable neutro (blanco) (consulte la Figura 10):

1. Asegúrese de que no se suministre alimentación al cable desde la residencia.
2. Siga las instrucciones que se encuentran en la página anterior sobre la Conexión del cable de cuatro conductores a la estufa (Figura 9).
3. En el disyuntor, la caja de fusibles o la caja de empalmes (Figura 10):
 - a) Conecte el cable verde (o de cobre descubierto), el cable blanco del electrodoméstico y el cable neutro (blanco) juntos.
 - b) Conecte los 2 cables negros juntos.
 - c) Conecte los 2 cables rojos juntos.



NOTA: Asegúrese de retirar la cinta de puesta a tierra.

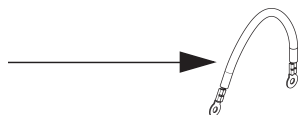
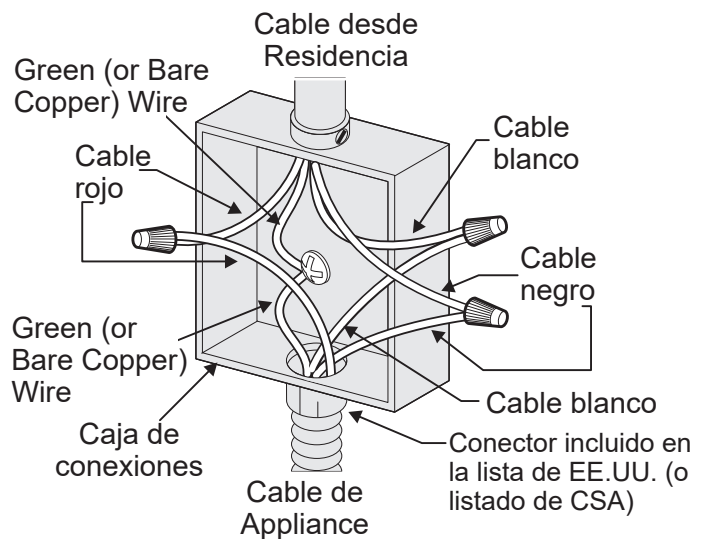


Figure 10

Donde los códigos locales NO permitan la conexión del conductor a tierra del electrodoméstico al cable neutro (blanco), o si va a conectar a un sistema eléctrico de 4 cables (consulte la Figura 11):

1. Asegúrese de que no se suministre alimentación al cable desde la residencia.
2. Siga las instrucciones que se encuentran en la página anterior sobre la Conexión del cable de cuatro conductores a la estufa (Figura 9).
3. En el disyuntor, la caja de fusibles o la caja de empalmes (Figura 11):
 - a) Conecte el cable blanco del electrodoméstico al cable neutro (blanco).
 - b) Conecte los 2 cables negros juntos.
 - c) Conecte los 2 cables rojos juntos.
 - d) Conecte el cable de conexión a tierra verde (o de cobre descubierto) al cable de conexión a tierra del disyuntor, la caja de fusibles o la caja de empalmes.



NOTA: Asegúrese de retirar la cinta de puesta a tierra.

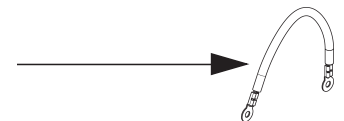


Figure 11

INSTRUCCIONES DE INSTALACION LA ESTUFA ELECTRICA DE 24"

Ubicación del modelo y número de serie

Las placas de serie están ubicadas en el marco frontal del horno, visibles cuando la puerta está abierta, y en la parte posterior del aparato cerca de la parte inferior.

Cuando ordene piezas o pregunte acerca de su rango, siempre asegúrese de incluir los números de modelo y de serie y un número de lote o letra de la placa de serie en su rango.

Su placa de serie también le indica la clasificación de kilovatios (requisitos de potencia) y las clasificaciones de voltaje.

Cuidado, limpieza y mantenimiento

Consulte el Manual de uso y cuidado para las instrucciones de limpieza.

Si es necesario retirar el rango para la limpieza o el mantenimiento, desconecte el suministro de energía eléctrica. Si el suministro eléctrico es inaccesible, levante la unidad ligeramente hacia adelante y retírese de la pared. Tire solo hasta donde sea necesario para desconectar el suministro eléctrico. Termine de quitar la unidad para dar servicio y limpiarla. Vuelva a instalar en orden inverso asegurándose de nivelar el rango y verificar las conexiones eléctricas. Consulte las páginas 2 y 3 para obtener instrucciones de anclaje adecuadas.

Antes de llamar al servicio

Lea las secciones "Antes de llamar" y la instrucción de operación en su Manual de uso y cuidado. Puede ahorrarle tiempo y dinero. La lista incluye las ocurrencias comunes que no son el resultado de mano de obra o materiales defectuosos en este electrodoméstico.

Consulte la garantía en su Manual de uso y cuidado para obtener nuestro número y dirección de servicio gratuito. Llame o escriba si tiene preguntas sobre su producto de gama y / o si necesita pedir repuestos.

